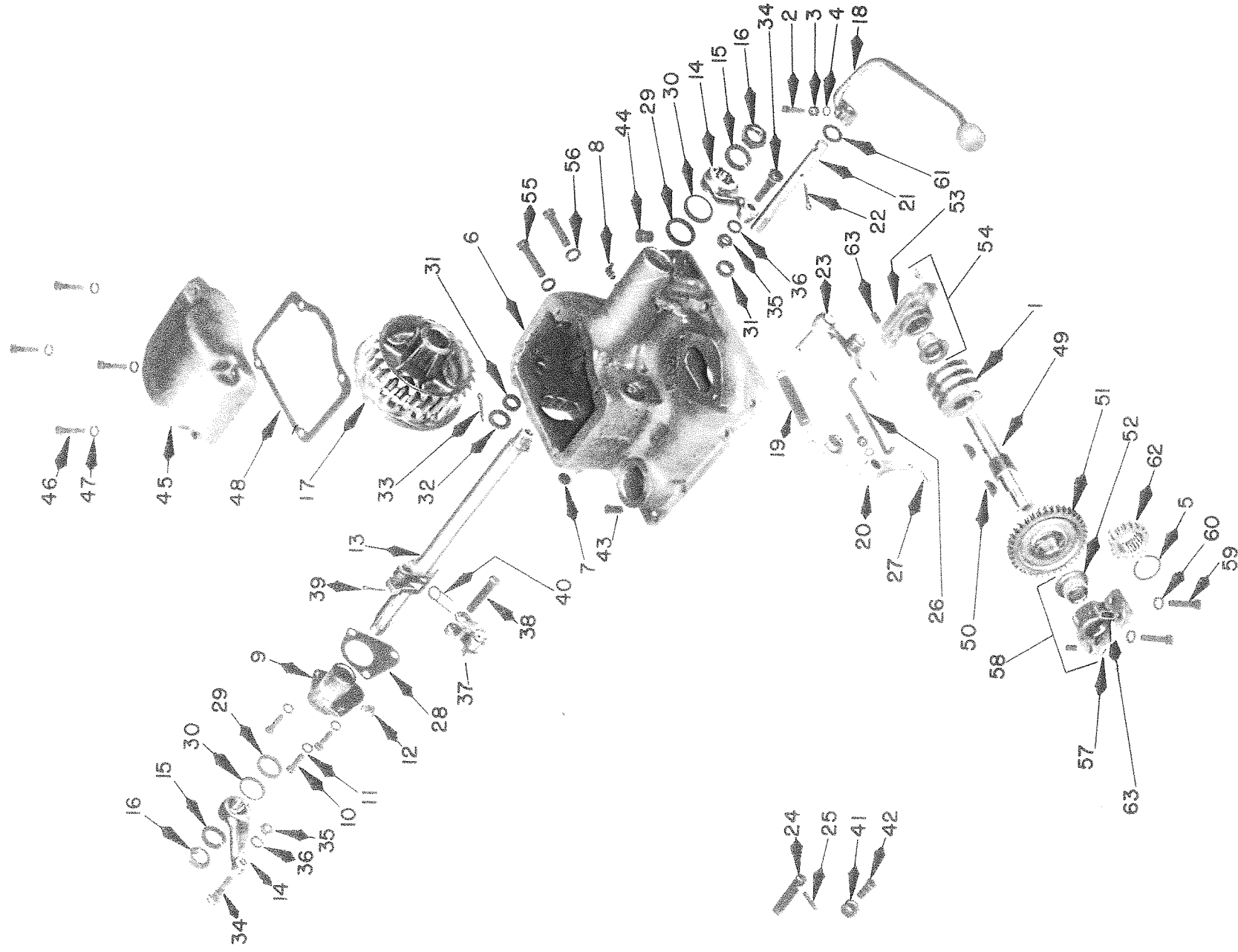


MECHANICAL POWER LIFT



SECTION X  
OPTIONAL EQUIPMENT

77 PARTS BOOK

MECHANICAL POWER LIFT

Ref. No.	Part Number	Description	No. Req.	Row Crop Serial Number	Standard Serial Number	Industrial Serial Number
1	1H-1050	WORM, Power Lift	1	320001-		
2	1A-1056	SET SCREW, Trip Pedal and Trip Arm	2	320001-		
3		915002 Nut, 3/8 - 24 Hex	2			
4		920124 Lock Washer, 3/8 Shakeproof	2			
5	1K-1075	SNAP RING, Transmission Input Shaft	1	320001-		
6	1K-1501-A	HOUSING	1	320001-		
7		935010 Plug, 13/16 Dia Welch Expansion	1			
8		939017 Fitting, 1/8 PT x 67-1/2° Elbow Grease	1			
9	1C-1502-A	BEARING, Shaft	1	320001-		
10		908332 Cap Screw, 3/8 - 16 x 1 Hex Hd	3			
11		920083 Lock Washer, 3/8	3			
12		939017 Fitting, 1/8 PT x 67-1/2° Elbow Grease	1			
13	1K-1503	SHAFT	1	320001-		
14	1C-1504-A	LEVER, Shaft	2	320001-		
15		920093 Lock Washer, 1	2			
16		S-144 Nut, 1 - 14 Hex	2			
17	1C-1505	GEAR, Worm	1	320001-		
18	1KA-1506-A	PEDAL, Thp	1	320001-		
19	1H-1507	SPRING	1	320001-		
20	1H-1508	ARM, Rear Thp (Order 1HS-1508)	1	320001-		
21		ARM (1H-1508) with Roller (1B-1525) and Pin (1B-1526), Rear Trip	1	320001-		
22	1K-1509-A	SHAFT, Rear Arm	1	320001-		
		932025 Cotter Pin, 5/32 x 1	1			
23	1B-1510	ARM, Front Thp (Order 1CS-1510)	1	320001-		
		S-1367 Pin, 1/4 x 1-1/8 Roll	1			
24	1CS-1510	ARM, SHAFT AND ROLLER, Front	1	320001-		
25	1C-1511	SHAFT, Front Trip Arm (Order 1CS-1510)	1	320001-323150		
26	1K-1513	LINK, Thp Arm	1	320001-		
27		932008 Cotter Pin, 3/32 x 3/4	2			
28	1C-1514	GASKET, Shaft Bearing	1	320001-		
29	1C-1515	OIL SEAL, Shaft	2	320001-		
30	1C-1516	RETAINER, Shaft Oil Seal	2	320001-		
31	1B-1518	OIL SEAL, Thp Lever Shaft	2	320001-		
32		920014 Washer, 11/16 Pldn	1			
33		932035 Cotter Pin, 3/16 x 1-1/4	1			
34	1B-1519-B	BOLT, Connecting	2	320001-		
35		915238 Nut, 1/2 - 13 Hex Jam	2			
36		920085 Lock Washer, 1/2	2			
37	1BS-1520-B	CARRIER, ROLLER AND PIN	1	320001-		
38	1C-1521	PIN, Power Lift Roller Carrier	1	320001-		
39		932025 Cotter Pin, 5/32 x 1	1			
40	1B-1522	SPRING, Roller Carrier	1	320001-		
41	1B-1525	ROLLER, Thp	2	320001-		
42	1B-1526	PIN, Thp Roller	2	320001-		

## MECHANICAL POWER LIFT

Ref. No.	Part Number	Description	No. Req.	Row Crop Serial Number	Standard Serial Number	Industrial Serial Number
43	1H-1527	DOWEL, Housing	1	320001-		
44	1K-1527	DOWEL, Housing	1	320001-		
45	1K-1533	COVER, Housing	1	320001-		
46		908334 Cap Screw, 3/8 - 16 x 1-1/2 Hex Hd	4			
47		920083 Lock Washer, 3/8	4			
48	1K-1534	GASKET, Housing Cover	1	320001-		
49	1K-1535	SHAFT, Worm	1	320001-		
50		937026 Key, 1/4 x 1-1/8 Woodruff	2			
51	1K-1536	GEAR, Drive - 38 Teeth	1	320001-		
52	1H-1537	BUSHING, Worm Shaft	2	320001-		
53	1K-1538	BEARING, Front Worm Shaft (Order 1KS-1538)	1	320001-		
54	1KS-1538	BEARING with Bushing (1H-1537) and Dowel Pin (1K-1584), Front Worm Shaft	1	320001-		
55		908359 Cap Screw, 1/2 - 13 x 2 Hex Hd	2			
56		920085 Lock Washer, 1/2	2			
57	1K-1538-A	BEARING, Rear Worm Shaft (Order 1KS-1538-A)	1	320001-		
58	1KS-1538-A	BEARING with Bushing (1H-1537) and Dowel Pin (1K-1584), Rear Worm Shaft	1	320001-		
59		908346 Cap Screw, 7/16 - 14 x 1-1/2 Hex Hd	2			
60		920084 Lock Washer, 7/16	2			
61	1H-1541	WASHER, Top Lever Shaft	1	320001-		
62	1K-1542	PINION, Drive - 18 Teeth	1	320001-		
63	1K-1584	DOWEL PIN, Worm Shaft Bearing (3/8 x 5/8)	4	320001-		

---

HYDRA-ELECTRIC LIFT

---

SECTION I

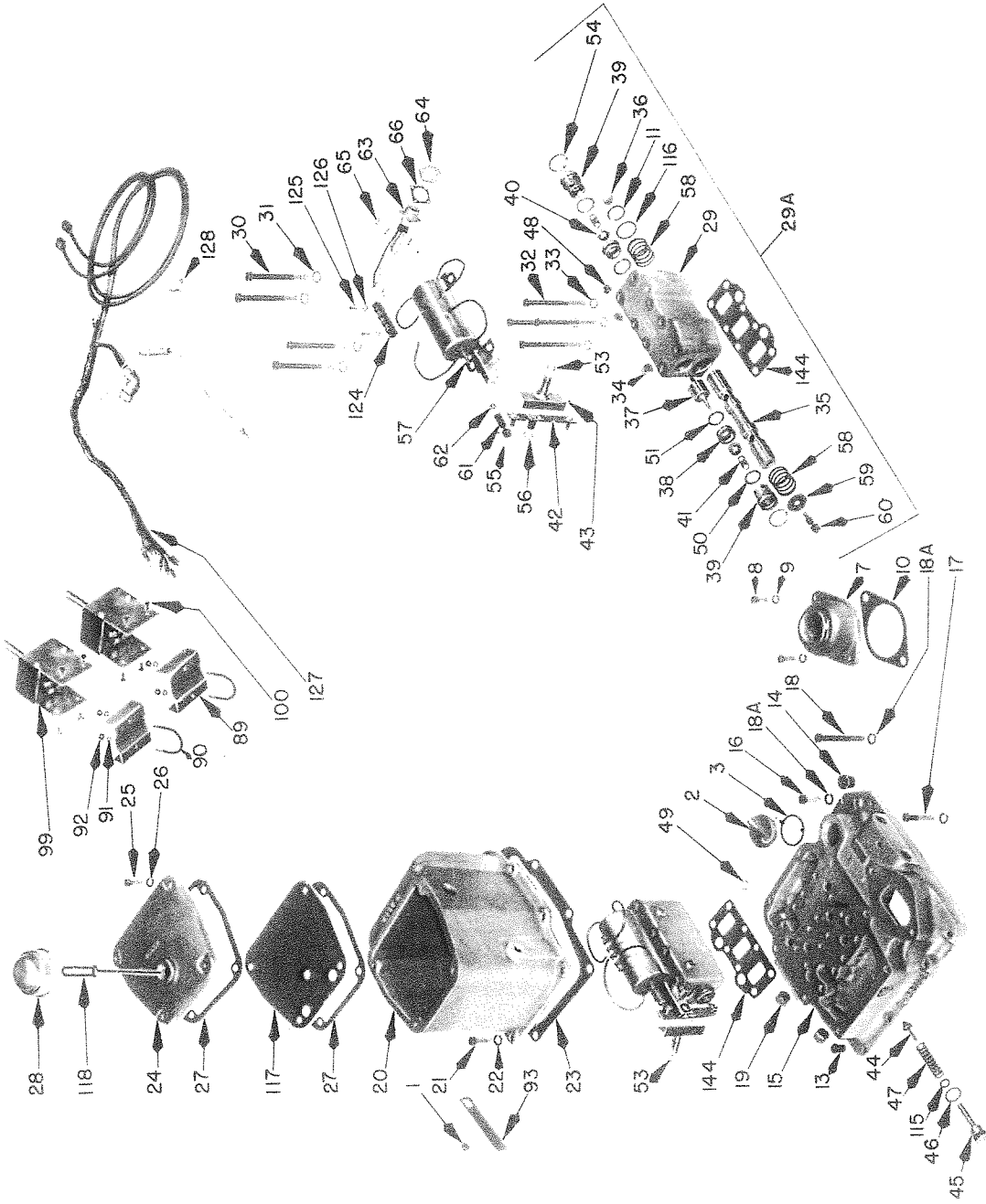
The Hydra-Electric and Hydraulic Control units are divided into Sections I, II and III.

Tractor serial numbers or unit serial numbers (identified by prefix letter K) as well as parts shown may be duplicated in all three sections.

Section III covers the Hydra-Electric and Hydraulic Control units starting with Super 77 tractors.

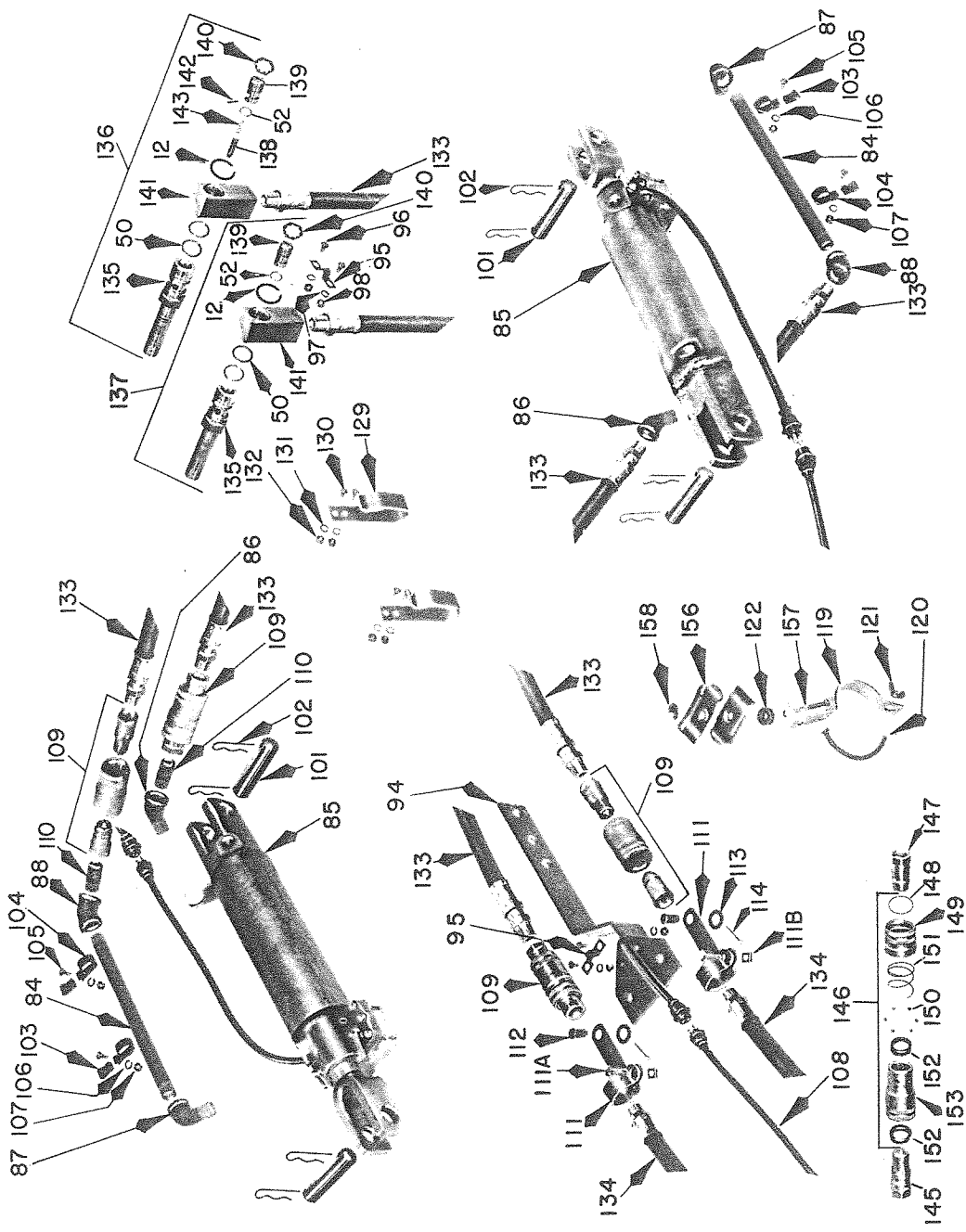
Check all three sections before ordering repair parts.

HYDRA-ELECTRIC LIFT



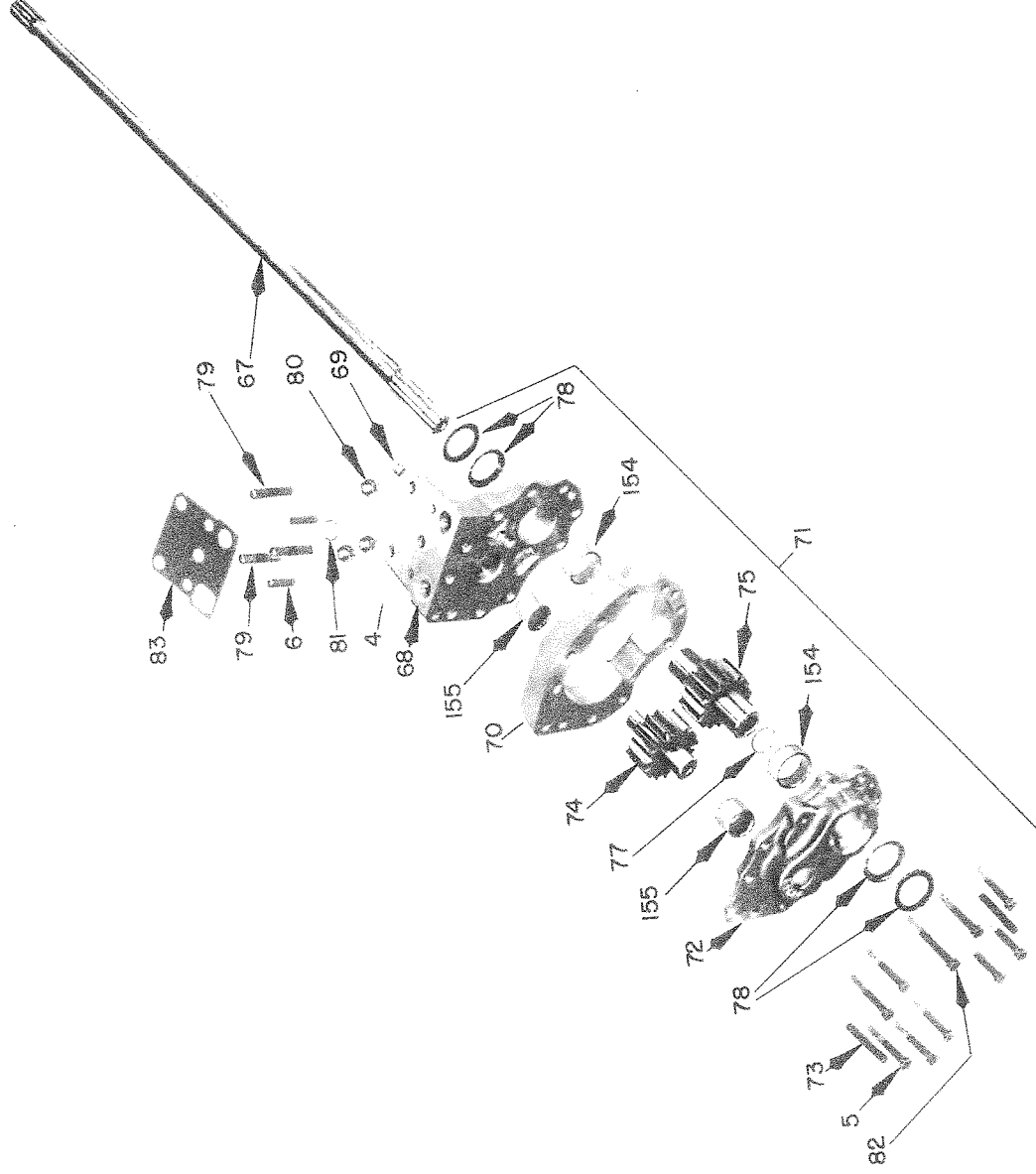
Ref. No.	Part Number	Description	Hydra-Electric 2 Cyl. 1 Cyl.	Unit or Tractor Serial Number
1	1H-212	PLUG, Reservdtr	1	K1000-K35000
2	1CA-297	CAP, Filler	1	K1000-K35000
3	1C-298	GASKET, Filler Cap	1	K1000-K35000
4	1E-398-A	STUD - 5/16 x 1-1/4 (With 1K-2004)	4	K4961-K7180
5	1L-577	PACKING, "O" Ring (Order 1K-2264)	1	K4082-K29132
6	1C-580	CAP SCREW, 3/8 x 2-3/8 Drilled Head S-2880 Wire, No. 16 Ga Annealed - 42" Long	9	K1000-K7124
7	1E-597	PIN, Dowel	1	K1000-K35000
8	1K-914-A	SOCKET, Shift Lever	2	K1000-K35000
9		S-3071 Cap Screw, 3/8 - 16 x 1-1/8 Hex Hd 920083 Lock Washer, 3/8	2	
10	1K-915-A	GASKET, Shift Lever Socket	1	K1000-K35000

HYDRA-ELECTRIC LIFT



Ref. No.	Part Number	Description	Hydra-Electric 2 Cyl.   1 Cyl.	Unit or Tractor Serial Number
11	1B-1073	SNAP RING, Selector Valve Spool	2	K1000-K9494
12	1L-1080	SNAP RING, Restrictor Swivel (1 used on Orchard)	4	RC 320001-6502 Std 269001-6502
13	1K-1272-C	CLIP, Control Wiring Harness	1	K1000-K35000
14	1B-1527	PIN, Dowel	1	K1000-K35000
14	1K-1527	PIN, Dowel	1	K1000-K2137
15	1K-2001	BASE, Control Mounting (Order 1KSR-2001-C)	1	
16		908332 Cap Screw, 3/8 - 16 x 1 Hex Hd	8	
17		908335 Cap Screw, 3/8 - 16 x 1-3/4 Hex Hd	2	
18		908340 Cap Screw, 3/8 - 16 x 3 Hex Hd	1	
18A		920083 Lock Washer, 3/8	11	
19		S-1917 Plug, 1/2 Pipe - Ctsk Hd	4	
		S-1871 Nipple, 1/2 x 3-1/2 Steel Pipe	2	
		S-1783 Elbow, 1/2 x 90° Mall	2	
		S-1704 Nipple, 1/2 Close Steel Pipe	1	
		S-2621 Elbow, 1/2 x 90° Mall Street	2	

## HYDRA-ELECTRIC LIFT



Ref. No.	Part Number	Description	Hydra-Electric 2 Cyl. 1 Cyl.	Unit or Tractor Serial Number
15	1K-2001-A	BASE, Control Mounting	1	K2138-K9494
16	908332	Cap Screw, 3/8 - 16 x 1 Hex Hd	8	
17	908335	Cap Screw, 3/8 - 16 x 1-3/4 Hex Hd	2	
18	908340	Cap Screw, 3/8 - 16 x 3 Hex Hd	1	
18A	920083	Lock Washer, 3/8	11	
19	S-1917	Plug, 1/2 Pipe - Ctsk Hd	4	
	S-2621	Elbow, 1/2 x 90° Mall Street - Orchard	2	
	1KSC-2001-H	MOUNTING BASE, Reservoir and Pump Assembly (Replaces any prior assembly on Hydra-Electric two cylinder units)	1	K1000-K35000
	1KSD-2001-H	MOUNTING BASE, Reservoir and Pump Assembly (Replaces any prior assembly on Hydra-Electric one cylinder units)	1	K1000-K35000
20	1K-2002	HOUSING, Reservoir	1	K1000-K7180
21	908332	Cap Screw, 3/8 - 16 x 1 Hex Hd	8	
22	920083	Lock Washer, 3/8	8	
23	1K-2003	GASKET, Reservoir Housing (1KA-2003-A will work)	1	K1000-K20451

**SECTION X  
OPTIONAL EQUIPMENT**

**77 PARTS BOOK**

**HYDRA-ELECTRIC LIFT**

Ref. No.	Part Number	Description	Hydra-Electric 2 Cyl.   1 Cyl.	Unit or Tractor Serial Number
24	1K-2004	COVER, Reservoir 908316 Cap Screw, 5/16 - 18 x 7/8 Hex Hd	1	K1000-K7180
25		920082 Lock Washer, 5/16	4	
26		915112 is required when 1B-398-A Stud is used in place of 908316 Cap Screw	4	
		915112 Nut, 5/16 - 18 Hex	4	
27	1K-2005	GASKET, Reservoir Cover	2	K1000-K7180
28	1K-2006	BREATHER	1	K1000-K7180
29	1K-2007	BODY, Selector Valve (Requires 4 Mounting Cap Screws) S-3143 Cap Screw, 3/8 - 16 x 3-3/4 Hex Hd	2	K1000-K2137
30		920156 Lock Washer, 3/8 Internal Tooth	8	
31		BODY, Selector Valve (Requires 8 Mounting Cap Screws) S-3143 Cap Screw, 3/8 - 16 x 3-3/4 Hex Hd	2	K2138-K9494
32		920156 Lock Washer, 3/8 Internal Tooth	8	
33		S-3146 Cap Screw, 5/16 - 18 x 3-3/4 Hex Hd	4	
34		920155 Lock Washer, 5/16 Internal Tooth	4	
		S-1919 Plug, 3/8 Pipe - Ctsk Hd	2	
29A	1KSA-2007	VALVE Assembly, Selector (1KSA-2007-C or 1KSB-2007-C will work)	2	K1000-K2137
29A	1KSA-2007-A	VALVE Assembly, Selector - RH	1	K2138-K9494
29A	1KSB-2007-A	VALVE Assembly, Selector - LH	1	K2138-K9494
35	1K-2008	SPOOL, Selector Valve S-1919 Plug, 3/8 Pipe - Ctsk Hd	2	K1000-K9494
36		PLUNGER, Interlock	2	
37	1K-2009	SEAT, Interlock Valve	4	K1000-K9494
38	1K-2010	GUIDE, Interlock Valve S-3735 Ball, 3/4 Dia Hardened Steel	4	K1000-K9494
39	1K-2011	SPRING, Interlock - Large	2	K1000-K35000
40		LEVER Assembly, Solenoid	2	K1000-K23976
41	1K-2012	SHAFT Assembly, Manual Valve Actuating	2	K1000-K19079
42	1KS-2015	PLUNGER, Relief Valve	1	K1000-K35000
43	1KS-2018	GUIDE, Relief Valve	1	K1000-K35000
44	1K-2019	WASHER, Relief Valve Crush	1	K1000-K9494
45	1K-2020	SPRING, Relief Valve	1	K1000-K35000
46	1K-2021	VALVE Assembly, Thermal Relief	1	K1000-K35000
47	1K-2022	PACKING, 3/32 x 5/8 "0" Ring (Used in Base Plate)	8	K1000-K35000
48	1KS-2024-B	PACKING, 1/8 x 7/8 "0" Ring (Used in Swivel Valves) (Only 2 used on Orchard)	12	RC 32000 I-6502 Std 26900 I-6502
49	1K-2026	PACKING, 1/8 x 3/4 "0" Ring (Used in Valve Seats)	4	K1000-K35000
50	1K-2027	PACKING, 3/32 x 1/2 "0" Ring (Used in Swivel Valves) (Only 1 used on Orchard)	4	RC 32000 I-6502 Std 26900 I-6502
51	1K-2028	PACKING, 1/16 x 3/8 "0" Ring	2	K1000-K35000
52	1K-2029	SNAP RING, No. 112 Truarc - Internal	2	K1000-K9494
53	1K-2029-A	RING, External Retaining (Small)	2	K1000-K35000
54	1K-2030	RING, External Retaining (Large)	2	K1000-K35000
55	1K-2031-A	SOLENOID Assembly, Valve Actuating (Order 1KS-2032-A)	2	K1000-K9610
56	1K-2031-B			
57	1KS-2032			



## HYDRA-ELECTRIC LIFT

Ref. No.	Part Number	Description	Hydra-Electric 2 Cyl.   1 Cyl.	Unit or Tractor Serial Number
58	1K-2033	SPRING, Valve Centering	4	K1000-K9494
59	1K-2034	WASHER, Valve Spool	2	K1000-K9494
60	1K-2036	JOINT, Ball Socket (Threaded)	2	K1000-K35000
61	1K-2037	JOINT, Ball Socket (Tapped)	2	K1000-K35000
62		915667 Nut, No. 10 - 32 Mach Screw Hex	2	
63	1KS-2038	CONNECTOR Assembly, Solenoid (6 Wires)	1	K1000-K35000
64		S-896 Palnut, 7/8 - 20	1	
65		908953 Screw, No. 4 - 40 x 3/8 Mach	4	
63	1KS-2038-A	CONNECTOR Assembly, Solenoid (3 Wires) (Order 1KS-2038)	1	
64		S-896 Palnut, 7/8 - 20	1	
65		908953 Screw, No. 4 - 40 x 3/8 Mach	4	
66	1K-2039	GASKET, Solenoid Connector	1	K1000-K35000
67	1KA-2041	SHAFT, Pump Drive (Not required on tractors with Power Take-Off)	1	K1000-K35000
68	1K-2042	PLATE, Pump Front (Order 1K-2042-A)	1	K1000-K4081
69		S-1922 Plug, 1/4 Std Hdless Slotted Steel Pipe	1	
68	1K-2042-A	PLATE, Pump Front	1	K4082-K35000
69		S-1922 Plug, 1/4 Std Hdless Slotted Steel Pipe	1	
70	1K-2043-A	PLATE, Pump Center (Order 1KSRA-2049-B)	1	K1000-K7124
71	1KSB-2043-B	PUMP Assembly (Will replace any prior pump)	1	K1000-K35000
72	1K-2044	PLATE, Pump Rear	1	K1000-K7124
73	1K-2045	DOWEL, Pump Housing	2	K1000-K7124
74	1KS-2046	GEAR AND SHAFT Assembly, Pump Idler (Order 1KSRA-2049-B)	1	K1000-K1100
75	1KS-2049	GEAR AND SLEEVE Assembly, Pump (Order 1KSRA-2049-B)	1	K1000-K1100
	1KSRA-2049-B	PLATE AND GEAR Package, Pump Center (Replacement) (Idler and Drive Gears)	1	
77	1K-2052	SNAP RING, Pump (Not required on tractors with Power Take-Off)	1	K1000-K35000
78	1K-2053	SEAL, Pump Oil	4	K1000-K35000
79	1K-2054	STUD - 7/16 x 1-7/8	3	K1000-K35000
80		915058 Nut, 7/16 - 20 Castle	3	
		S-2880 Wire, No. 16 Ga Annealed - 1.4" Long	1	
81	1K-2055	PACKING, 3/32 x 11/16 "0" Ring	1	K1000-K35000
82	1K-2056	CAP SCREW, 3/8 x 3 Drilled Head	1	K1000-K7124
83	1K-2057	GASKET, Pump Front Plate	1	K1000-K4081
84	1K-2058	PIPE, Cylinder (With 1KS-2061 and 1KS-2061-A)	2	RC 320001-6502 Std 269001-6502
85	1KS-2061	CYLINDER and Follow-Up Assembly (Order 1KSA-2061) (Cable Male Connector has four same size terminals)	2	RC 320001-332449 Std 269001-271515
		(1KS-2061-A with 1K-2222-C will work)		
86		S-1944 Elbow, 1/2 x 45° Mall Street	2	
87		S-2621 Elbow, 1/2 x 90° Mall Street	2	
88		S-1943 Elbow, 1/2 x 45° Mall	2	
	1KSA-2061	CYLINDER and Follow-Up with Fittings and Pins (1KSA-2061-A with 1K-2222-C will work)	2	RC 320001-332449 Std 269001-271515
85	1KS-2061-A	CYLINDER and Follow-Up Assembly (Order 1KSA-2061-A) (Cable Male Connector has three large and one small terminal)	2	RC 332450-341033 Std 271516-272900
86		S-1944 Elbow, 1/2 x 45° Mall Street	2	
87		S-2621 Elbow, 1/2 x 90° Mall Street	2	
88		S-1943 Elbow, 1/2 x 45° Mall	2	

SECTION X  
OPTIONAL EQUIPMENT

## 77 PARTS BOOK

## HYDRA-ELECTRIC LIFT

Ref. No.	Part Number	Description	Hydra-Electric 2 Cyl.   1 Cyl.	Hydra-Electric 1 Cyl.   1 Cyl.	Unit or Tractor Serial Number
	IKSA-2061-A	CYLINDER and Follow-Up with Fittings and Pins	2	1	RC 3 32450-3410 33 Std 2715 16-272900
89	1K-2062	BRACKET, Hand Switch	2	1	RC 32000 1-650 2 Std 26900 1-6502
90	1K-2063	U-BOLT, Hand Switch	2	1	RC 320001-6502 Std 26900 1-6502
91		920079 Lock Washer, No. 10	4	2	
92		915667 Nut, No. 10 - 32 Hex	4	2	
93	1K-2064	LEVER, Manual Valve Actuation	1	1	K1000-K2 3976
94	1KS-2066	BRACKET Assembly, Coupling (For Drawn Implements)		1	RC 32000 1-3410 33 Std 26900 1-27 2900
94	1MS-2066	908535 Cap Screw, 5/8 - 18 x 2 Hex Hd BRACKET Assembly, Coupling - Orchard (Tractor Serial Number 26900 1-272880) 90838 4 Cap Screw, 5/8 - 11 x 1-1/2 Hex Hd 920087 Lock Washer, 5/8		1	
95	1K-2067	FASTENER, Cable	2	1	RC 32000 1-3410 33 Std 26900 1-27 2900
96		909052 Screw, 1/4 - 20 x 1/2 Mach	4	2	
97		920081 Lock Washer, 1/4	4	2	
98		915111 Nut, 1/4 - 20 Hex	4	2	
99	1KS-2070	GROMMET, Rubber (3/8 x 1-1/2 OD) (Rear Panel) SWITCH Assembly, Hand (Order 1KS-2070-A)	1	1	RC 32000 1-650 2 Std 26900 1-650 2
100		S-2564 Fastener, No. 10 - 32 x 7/16 Sems	2	1	RC 32000 1-3410 33 Std 26900 1-272900
101	1K-2071	PIN, Cylinder Mounting	8	4	
102	1K-2072	CLIP, Cylinder End Pin	4	2	RC 32000 1-650 2 Std 26900 1-6502
103	1K-2073	CLAMP, Cylinder Wire - Small	4	2	RC 32000 1-650 2 Std 26900 1-6502
104	1K-2074	CLAMP, Cylinder Wire - Large	4	2	RC 32000 1-650 2 Std 26900 1-6502
105		909021 Screw, No. 10 - 24 x 5/8 Mach	4	2	
106		920079 Lock Washer, No. 10	4	2	
107		915538 Nut, No. 10 - 24 Hex	4	2	
108	1K-2075	CABLE, Remote Cylinder (For Drawn Implements) (With 1KS-2061) (Cylinder End Connector has four same size terminals)	4	2	RC 32000 1-332449 Std 26900 1-27 1515
108	1KS-2075-A	CABLE, Remote Cylinder (For Drawn Implements) (With 1KS-206 1-A) (Cylinder End Connector has three large and one small terminal)	4	2	RC 32000 1-3410 33 Std 2715 16-272900
109	1KS-2076	COUPLING, Bruning Self-Detaching (For Drawn Implements) (Order 1KS-2076-A) S-1945 Nipple, 1/2 Short Steel Pipe	4	2	RC 32000 1-3410 33 Std 26900 1-272900
110	1KS-2076-A	COUPLING, Bruning Self-Detaching (For Drawn Implements)	4	2	RC 32000 1-3410 33 Std 26900 1-27 2900
109	1KS-2076-B	S-1945 Nipple, 1/2 Short Steel Pipe COUPLING, Pioneer Self-Detaching (For Drawn Implements)	4	2	RC 32000 1-3410 33 Std 26900 1-27 2900
110		COUPLING, Pioneer Self-Detaching (For Drawn Implements)	4	2	RC 32000 1-3410 33 Std 26900 1-27 2900
111	1K-2077	BRACKET, Self-Detaching Coupling (For Drawn Implements) (With 1KS-2076 or 1KS-2076-A)	2	2	RC 32000 1-3410 33 Std 26900 1-27 2900
111A		S-739 Set Screw, 1/4 - 20 x 1 Mach	2	2	
111B		915111 Nut, 1/4 - 20 Hex	2	2	
111	1K-2077-A	BRACKET, Self-Detaching Coupling (For Drawn Implements) (With 1KS-2076-B)	2	2	RC 32000 1-3410 33 Std 26900 1-27 2900

## HYDRA-ELECTRIC LIFT

Ref. No.	Part Number	Description	Hydra-Electric 2 Cyl. 1 Cyl.	Hydra-Electric 1 Cyl.	Unit or Tractor Serial Number
112	1K-2078	PIN, Coupling Mounting (For Drawn Implements)		2	RC 320001-34033 Std 269001-272900
113		920011 Washer, 1/2 Plain		2	
114		932017 Cotter Pin, 1/8 x 1		2	
115	1K-2079	SHIM, Relief Valve Adjusting	Req.	Req.	K1000-K35000
116	1K-2080	SHIM, Centering Spring Adjusting	Req.	Req.	K1000-K9494
117	1K-2081	BAFFLE, Oil	1	1	K1000-K7180
118	1KS-2082	GAUGE Assembly, Fluid Level	1	1	K1000-K7180
119	1K-2084	BRACKET, Hose Clamp	2		RC 320001-6502 Std 269001-6502
120	1K-2085	BOLT, Hose Clamp Bracket	2		RC 320001-6502 Std 269001-6502
121		915585 Nut, 5/16 - 18 Wing	2		
122	1K-2086	SPACER, Hose Clamp	2		RC 320001-6502 Std 269001-6502
123	1KS-2087	VALVE, Flow Control (Order 1KS-2104-A)	2	1	RC 320001-332450 Std 269001-271654
124	1K-2089	BLOCK, Terminal	2	1	K1000-K9611
125		S-2553 Screw, No. 6 - 32 x 9/16 Mach	4	2	
126		920077 Lock Washer, No. 6	4	2	
127	1KS-2091	HARNES, Control Wiring (With 1KS-2061) (Order 1KSR-2091-B)	1		RC 320001-332449
128		S-2553 Screw, No. 8 - 32 x 3/8 Sems	1		
127	1KSR-2091-B	HARNES Package, Hydra-Electric Control Wiring		1	
127	1KS-2091-A	HARNES, Control Wiring (With 1KS-2061) (Order 1KSR-2091-C)		1	Std 269001-271654
128		S-2553 Screw, No. 8 - 32 x 3/8 Sems		1	
127	1KSR-2091-C	HARNES Package, Hydra-Electric Control Wiring		1	RC 320001-341033
128	1KS-2091-B	HARNES, Control Wiring (With 1KS-2061-A)	1		
128		S-2553 Screw, No. 8 - 32 x 3/8 Sems	1		
127	1KS-2091-C	HARNES, Control Wiring (With 1KS-2061-A)		1	Std 271654-272900
128		S-2553 Screw, No. 8 - 32 x 3/8 Sems		1	
127	1MS-2091	HARNES, Control Wiring - Orchard (Tractor Serial Number 269001-271411)		1	RC 320001-6502 Std 269001-6502
128		S-2553 Screw, No. 8 - 32 x 3/8 Sems		1	
129	1K-2092	SUPPORT, Hose (For Drawn Implements)		2	
130		909055 Screw, 1/4 - 20 x 3/4 Mach	2		
131		920081 Lock Washer, 1/4	2		
132		915111 Nut, 1/4 - 20 Hex	2		
129	1M-2092	GUIDE, Hose - Orchard 915005 Nut, 9/16 - 18 Hex (as spacer) 908333 Cap Screw, 8/8 - 16 x 1-1/4 Hex Hd	1	1	
133	1K-2093	HOSE Assembly - 60" Long	4	2	RC 320001-332450 Std 269001-271654
133	1K-2093-A	HOSE Assembly - 48" Long	4	2	RC 332451-6502 Std 271655-6502
134	1M-2093	HOSE Assembly - 44" Long - Orchard		2	
134	1K-2094	HOSE Assembly - 84" Long (For Drawn Implements)		2	RC 320001-6502 Std 269001-6502
129	1KS-2095	WIRE, Starter Switch to Combination Switch (12" Long) S-2553 Screw, No. 8 - 32 x 3/8 Sems	1	1	RC 320001-6502 Std 269001-6502

SECTION X  
OPTIONAL EQUIPMENT

## 77 PARTS BOOK

## HYDRA-ELECTRIC LIFT

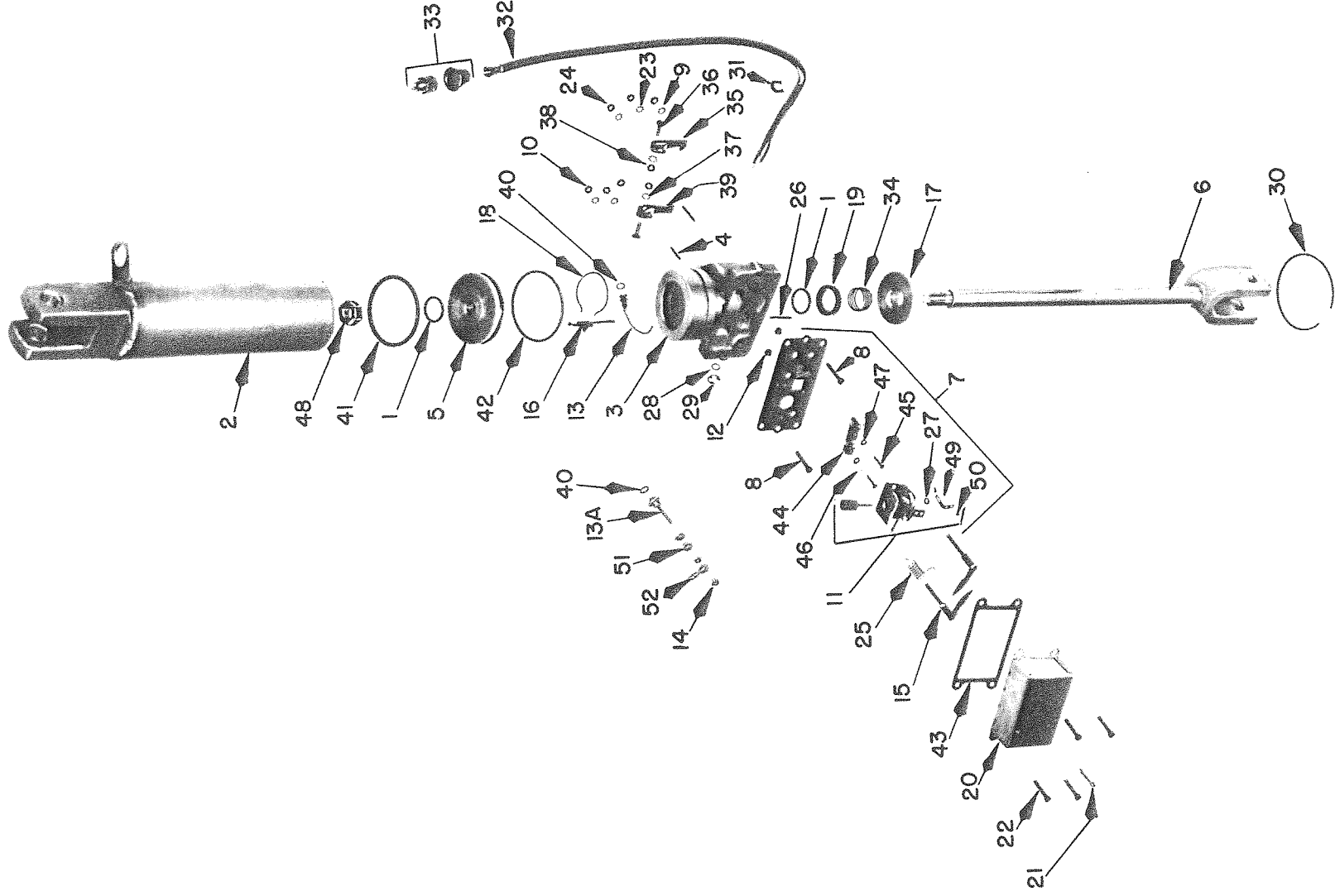
Ref. No.	Part Number	Description	Hydra-Electric 2 Cyl.   1 Cyl.	Unit or Tractor Serial Number
135	1K-2104	BODY, Restrictor (Only 1 used on Orchard) (Order 1K-2104-A and S-20 31)	4	RC 332451-4502116 Std 271655-4502116
136	1KS-2104	SWIVEL Assembly, Restrictor (Painted Red) (Order 1KS-2104-A)	2	RC 332451-4502116 Std 271655-4502116
137	1KSA-2104	SWIVEL Assembly, Free Flow (Painted Green) (Order 1KSA-2104-A)	2	RC 332451-4502116 Std 271655-4502116
138	1KSB-2104	RESTRICTOR Assembly, Momentary (Painted Yellow) (Order 1KSB-2104-A)	1	RC 332451-4502116 Std 271655-4502116
138	1K-2105	PLUNGER, Restrictor	2	RC 332451-4502116 Std 271655-4502116
139	1K-2106	GUIDE, Restrictor (Only 1 used on Orchard)	4	RC 332451-4502116 Std 271655-4502116
140		S-894 Pinnut, 3/4" x 20 Reg Type	4	
141	1K-2107	SWIVEL, Restrictor (Only 1 used on Orchard) (Order 1KA-2107)	4	RC 332451-4502116 Std 271655-4502116
142	1K-2108	PIN, Restrictor Plunger	2	RC 332451-4502116 Std 271655-4502116
143	1K-2109	SPRING, Restrictor	2	RC 332451-6502 Std 271655-6502
144	1K-2110	GASKET, Selector Valve Body	2	K2138-K9494
	1K-2114	PLUNGER, Momentary Restrictor (For use with front end loaders with single acting cylinders)	2	RC 332451-6502 Std 271655-6502
	1K-2115	SPRING, Momentary Restrictor (For use with front end loaders with single acting cylinders)	1	RC 332451-6502 Std 271655-6502
	1KSR-2202-A	CYLINDER Change-Over Package, Electromagnetic (Field change-over to Electromagnetic design)	1	
	1KSRB-2202-A	CYLINDER Change-Over Package, Electromagnetic (Field change-over to Electromagnetic design)	1	
	1KSR-2246	CONNECTOR Package, Wiring Harness (Can be used on 1KS-2091 and 1KS-2091-B)		
	1KSR-2246-A	CONNECTOR Package, Wiring Harness (Can be used on 1KS-2091-A, 1KS-2091-C and 1MS-2091)		
145	1KS-2351	PIECE Assembly, 1/2" Nose (In 1KS-2076-A)	1	
146	1KS-2352	COLLAR Assembly, 1/2" (In 1KS-2076-A)	1	
147	1KS-2353	NIPPLE Assembly, Coupler (In 1KS-2076-A)	1	
148	1K-2354	RING, Body Lock (In 1KS-2076-A)	1	
149	1K-2355	COLLAR, Long (In 1KS-2076-A)	1	
150		S-2430 Ball, 7/32 Dia Hardened Steel	6	
151	1K-2356	SPRING, Body Compression (In 1KS-2076-A)	1	
152	1K-2357	SEAL, Body (In 1KS-2076-A)	2	
153	1K-2358	BODY, Coupler (In 1KS-2076-A)	1	
154	1KS-5041	BEARING, Needle (Drive Sleeve) (Torrington GB-2212)	2	K-1000-K3500 0
155	1KS-5042	BEARING, Needle (Idler Shaft) (Torrington GB-1616)	2	K-1000-K3500 0
	ID-7362	GROMMET, Rubber - 5/8" ID, 1-1/8" OD	2	
	ICD-7364	GROMMET, Rubber - 3/4" ID, 1-3/8" OD	1	

SECTION X  
77 PARTS BOOK      OPTIONAL EQUIPMENT

HYDRA-ELECTRIC LIFT

Ref. No.	Part Number	Description	Hydra-Electric 2 Cyl., 1 Cyl.	Unit or Tractor Serial Number
156	1K-7371	FUSE, 30 Ampere (1/4" x 1-7/16" Long)	1	RC 320001-6502 Std 269001-6502
157	1EP-7868	CLAMP, Hose	4	RC 320001-6502 Std 269001-6502
158		908321 Cap Screw, 5/16 - 18 x 2 Hex Hd 915585 Nut, 5/16 - 18 Wing	2 2	

HYDRA-ELECTRIC CYLINDER



## HYDRA-ELECTRIC CYLINDER

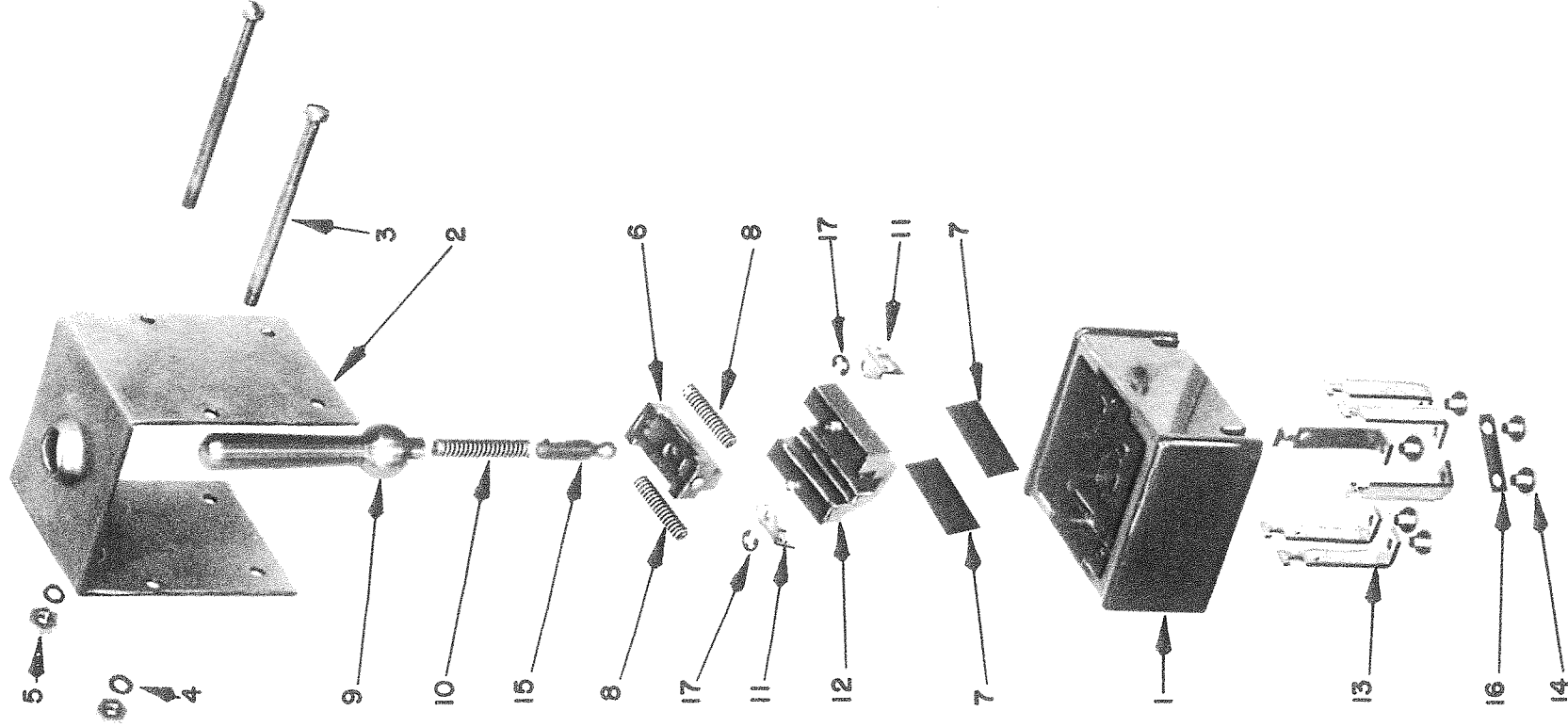
Ref. No.	Part Number	Description	Hydra-Electric 2 Cyl.   1 Cyl.	Tractor Serial Number
	1KS-2061	CYLINDER and Follow-Up Assembly (Cable Male Connector has four same size terminals) (1KS-2061-A with 1K-2222-B will work)	2	RC 320001-332449 Std 269001-271515
	1KS-2061-A	CYLINDER and Follow-Up Assembly (Cable Male Connector has three large and one small terminal)	2	RC 332450-341033 Std 271516-272900
	IKSRA-2202-A	CYLINDER Change-Over Package, Electromagnetic (Field change-over to Electromagnetic design)	1	
	IKSRB-2202-A	CYLINDER Change-Over Package, Electromagnetic (Field change-over to Electromagnetic design)	1	
Ref. No.	Part Number	Breakdown for One Cylinder and Follow-Up Assembly		
1	1K-2027	PACKING, 1/8 x 7/8 "10" Ring		2
2	1KS-2201	BARREL Assembly, Cylinder		1
3	1K-2202	HEAD, Cylinder S-1372 Groov-Pin, 1/8 x 1		1
4				2
5	1K-2203	PISTON, Cylinder		1
6	1KS-2204	ROD Assembly, Cylinder Piston		1
7	1KS-2205	PLATE Assembly, Cylinder Follow-Up Base		1
8		S-2568 Screw, No. 10 - 32 x 1 Full Hd Mach		2
9		S-289 Lock Washer, No. 10 External Tooth		2
10		S-895 Nut, No. 10 - 32 Hex		2
11	1KS-2206	SOLENOID Assembly, Cylinder Follow-Up S-2569 Screw, No. 10 - 32 x 3/16 Blind Hd Mach		1
12				2
13	1KS-2207	STUD Assembly, Cylinder Contact (Old Style)		1
13A				1
14	1KS-2207-A	STUD Assembly, Cylinder Contact (New Style) S-897 Nut, No. 4 - 40 Hex		2
15	1KS-2208	CAM Assembly, Cylinder Follow-Up		2
16	1KS-2209	ARM Assembly, Cylinder Contact		1
17	1K-2210	COLLAR, Cylinder Stop		1
18	1K-2211	SPRING, Cylinder Contact Arm Retaining		1
19	1K-2212	SEAL, Cylinder Rod		1
20	1KS-2213	COVER Assembly, Cylinder Follow-Up S-1471 Cotter Pin, 3/32 x 1/2		1
21		S-2568 Screw, No. 10 - 32 x 1 Full Hd Mach		1
22		S-289 Lock Washer, No. 10 External Tooth		4
23		S-895 Nut, No. 10 - 32 Hex		4
24				4
25	1K-2214	SPRING, Cylinder Follow-Up Cam		1
26	1K-2215	PIN, Cylinder Stop (Circuit Breaker)		1
27	1K-2216	WASHER, Solenoid Plunger		1
28	1K-2217	SHIM, Cylinder Contact Stud (Old Style)		Req.
29	1K-2218	RING, Cylinder Contact Stud Retaining (Old Style)		1
30	1K-2219	SNAP RING, Cylinder Head		1
31	1K-2220	CLAMP, Cylinder Cable		1
32	1K-2221	CABLE, Cylinder		1

## HYDRA-ELECTRIC CYLINDER

Ref. No.	Part Number	Breakdown for One Cylinder and Follow-Up Assembly	No. Req.
	IKS-2221	CABLE Assembly, Cylinder (With IKS-2061) (IKSR-2221-B will work)	1
	IKS-2221-A	CABLE Assembly, Cylinder (With IKS-2061-A) (IKSR-2221-B will work)	1
	IKSR-2221-B	CABLE Assembly, Cylinder (Will work for IKS-2221 or IKS-2221-A)	1
33	IK-2222-A	CONNECTOR and Nipple Assembly - Male (With IKS-2061-A) (IK-2222-A with IK-2222-B Required for IKS-2061)	1
	IK-2222-B	CONNECTOR and Nipple Assembly, Female	1
34	IK-2223	SPRING, Cylinder Stop Collar	1
35	IK-2224	LEVER, Cylinder Cam - Right	1
36		S-2570 Screw, No. 10 - 32 x 5/8 Blind Hd Mach	1
37		S-289 Lock Washer, No. 10 External Tooth	1
38		S-895 Nut, No. 10 - 32 Hex	1
39	IK-2225	LEVER, Cylinder Cam - Left	1
36		S-2570 Screw, No. 10 - 32 x 5/8 Blind Hd Mach	1
37		S-289 Lock Washer, No. 10 External Tooth	1
38		S-895 Nut, No. 10 - 32 Hex	1
40	IK-2226	PACKING, 1/16 x 1/4 "O" Ring	1
41	IK-2227	PACKING, 3/16 x 2-5/8 "O" Ring	1
42	IK-2228	GASKET, 1/8 x 2-3/4 "O" Ring	1
43	IK-2229	GASKET, Follow-Up Cover	1
44	IKS-2230	BLOCK Assembly, Follow-Up Contact	1
45		S-2571 Screw, No. 4 - 40 x 5/8 Blind Hd Mach	2
46		S-290 Lock Washer, No. 4 External Tooth	2
47		S-291 Washer, No. 4 Plain	2
48	IK-2231	LOCK NUT, Cylinder Piston	1
49	IKS-2232	CONTACT Assembly, Cylinder Relay	1
50		923638 Rivet, 3/32 x 1/8 Oval Hd Tubular	1
51	IK-2233	INSULATOR, Cylinder Terminal (New Style)	2
52	IK-2234	LUG, Cylinder Terminal (New Style)	1



HYDRA-ELECTRIC HAND SWITCH



SECTION X  
OPTIONAL EQUIPMENT

77 PARTS BOOK

HYDRA-ELECTRIC HAND SWITCH

Ref. No.	Part Number	Description	Hydra-Electric 2 Cyl   1 Cyl	Tractor Serial Number
	1KS-2070	SWITCH Assembly, Hand (Order 1KS-2070-A)	2   1	RC 320001-3410 33 Std 269001-27 2900
Ref. No.	Part Number	Breakdown for One Hand Switch Assembly		
1	1K-2301	BLOCK, Hand Switch Base		1
2	1K-2302	PLATE, Hand Switch Cover and Mounting		1
3		S-2573 Screw, No. 10 - 32 x 3 Mach		2
4		920079 Lock Washer, No. 10		2
5		S-895 Nut, No. 10 - 32 Hex		2
6	1K-2303	BLOCK, Hand Switch Actuating		1
7	1K-2304	BLADE, Hand Switch Sliding Block Slider		2
8	1K-2305	SPRING, Hand Switch Sliding Block		2
9	1K-2306	HANDLE, Hand Switch Actuating		1
10	1K-2307	SPRING, Hand Switch Actuating Handle		1
11	1K-2308	HOLDER, Hand Switch Contact		2
12	1K-2309	BLOCK, Hand Switch Sliding		1
13	1K-2310	TERMINAL, Hand Switch Contact		6
14		S-2572 Screw, No. 8 - 32 x 1/4 Mach		6
15	1K-2311	PIN, Hand Switch Actuating		1
16	1K-2312	BAR, Hand Switch Contact Terminal Buss		1
17	1K-2313	RING, (W-K) Type E No. 5133-15 Retaining		2

---

HYDRA-ELECTRIC AND HYDRAULIC LIFT

---

## SECTION II

The Hydra-Electric and Hydraulic Control units are divided into Sections I, II and III.

Tractor serial numbers or unit serial numbers (identified by prefix letter K) as well as parts shown may be duplicated in all three sections.

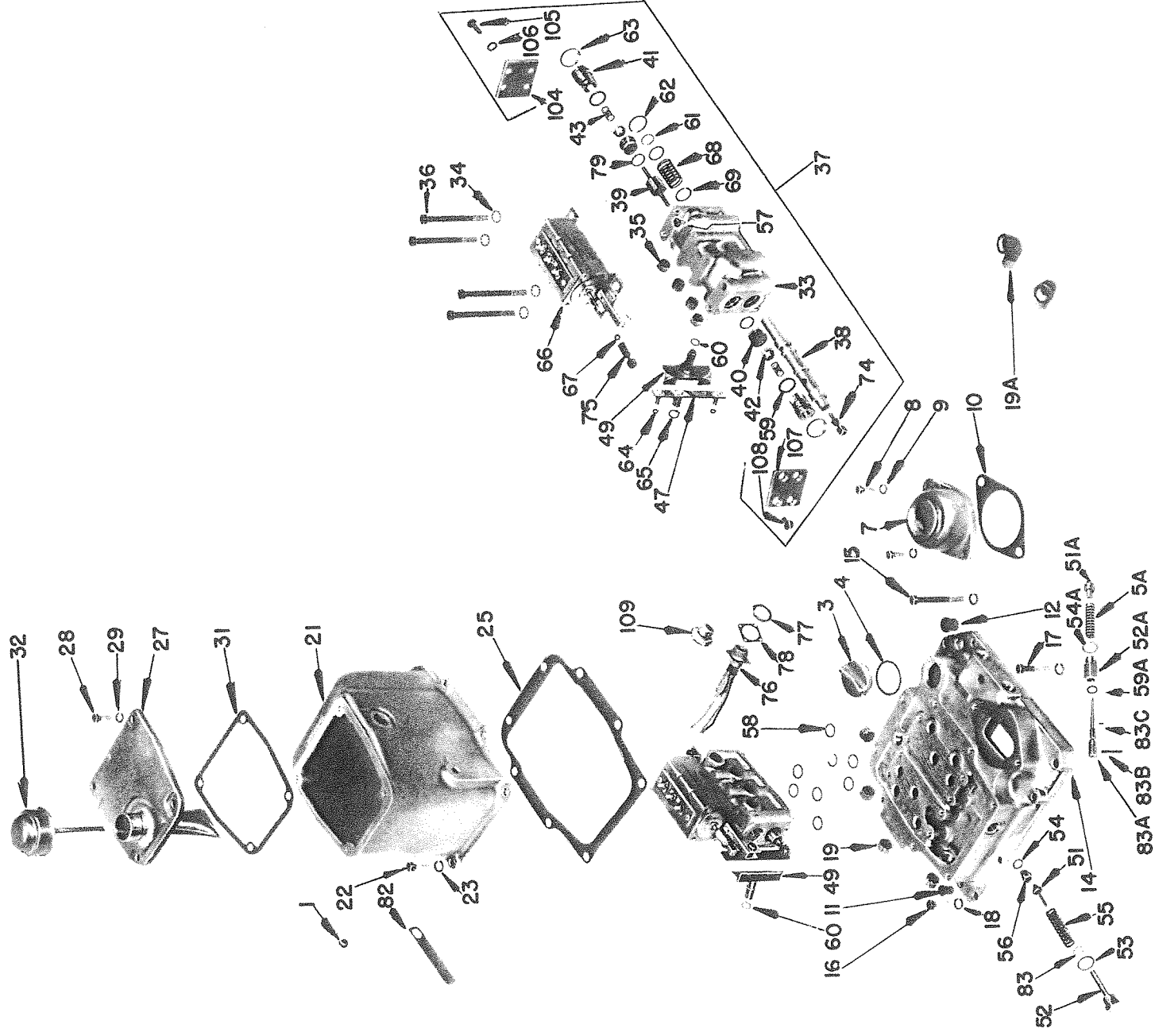
Section III covers the Hydra-Electric and Hydraulic Control units starting with Super 77 tractors.

Check all three sections before ordering repair parts.

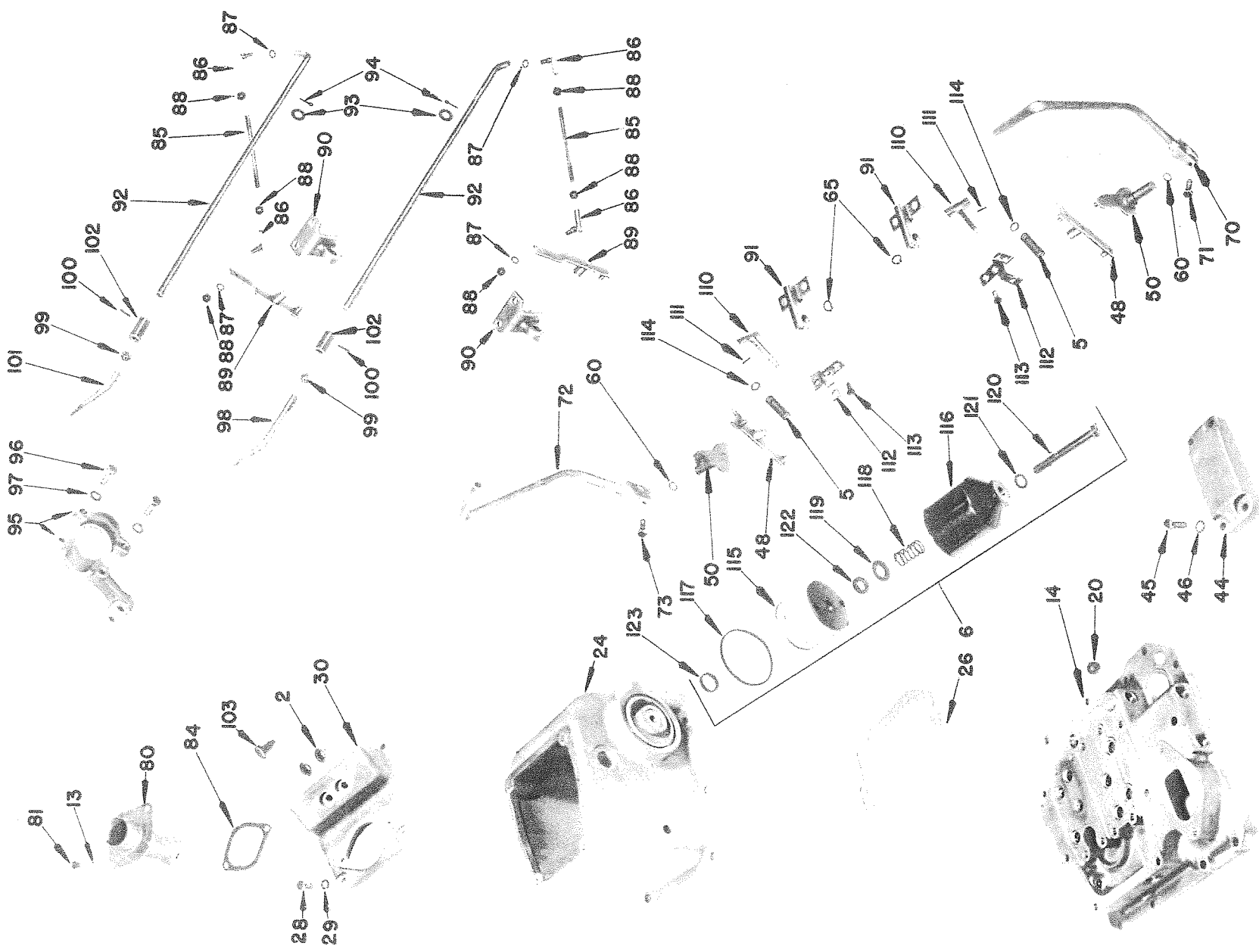
SECTION X  
OPTIONAL EQUIPMENT

77 PARTS BOOK

HYDRA-ELECTRIC AND HYDRAULIC RESERVOIR AND SELECTOR VALVE



HYDRA-ELECTRIC AND HYDRAULIC RESERVOIR AND SELECTOR VALVE



## HYDRA-ELECTRIC AND HYDRAULIC RESERVOIR AND SELECTOR VALVE

Ref. No.	Part Number	Description	Hydra-Electric		Hydraulic		Unit Serial Number
			2 Cyl.	1 Cyl.	2 Cyl.	1 Cyl.	
1	1H-212	PLUG, Reservoir		2		2	K1000-K35000
2	1B-275-A	SEAL, Control Shaft Oil			2	1	K16 078-K2 3976
3	1CA-297	CAP, Filler	1	1	1	1	K1000-K35000
4	1C-298	GASKET, Filler Cap	1	1	1	1	K1000-K35000
5	1B-628	SPRING, Bearing Plate	2	1	2	1	K2 3977-K35000
5A	1A-628-A	SPRING, Relief Valve (Special Adjustable Relief Valve)	1	1	1	1	K1000-K35000
6	1KS-841-B	FILTER, Oil (Fram 8526)	1	1	1	1	K20452-K35000
7	1K-914-A	SOCKET, Shift Lever	1	1	1	1	K1000-K35000
8		908 333 Cap Screw, 3/8 - 16 x 1-1/4 Hex Hd	2	2	2	2	
9		92008 3 Lock Washer, 3/8	2	2	2	2	
10	1K-915-A	GASKET, Shift Lever Socket	1	1	1	1	K1000-K35000
11	1B-1527	PIN, Dowel	1	1	1	1	K1000-K35000
12	1K-1527	PIN, Dowel	1	1	1	1	K1000-K35000
13	1K-1746	WASHER, Breather Tube Copper			2	2	K16 078-K2 3976
14	1K-2001-B	BASE, Control Mounting (Die Casting) (Order 1KSR-2001-C for repairs)	1	1			K9495-K20451
15		908 340 Cap Screw, 3/8 - 16 x 3 Hex Hd	1	1			
16		908 332 Cap Screw, 3/8 - 16 x 1 Hex Hd	8	8			
17		908 335 Cap Screw, 3/8 - 16 x 1-3/4 Hex Hd	2	2			
18		92008 3 Lock Washer, 3/8	11	11			
19		S-1917 Plug, 1/2 Std Pipe - Ctisk Hd	4	6			
19A		S-1917 Plug, 1/2 Std Pipe Ctisk Hd		2			
20		S-2621 Elbow, 1/2 x 90° Mall Sirt - Orchard					
14	1KA-2001-B	BASE, Control Mounting (Grey Iron) (Order 1KSR-2001-C for repairs)	1	1			K9495-K20451
14	1K-2001-C	BASE, Control Mounting (Die Casting) (Order 1KS-2001-C)	1	1	1	1	K20452-K35000
15		908 340 Cap Screw, 3/8 - 16 x 3 Hex Hd	1	1	1	1	
16		908 332 Cap Screw, 3/8 - 16 x 1 Hex Hd	8	8	8	8	
17		908 335 Cap Screw, 3/8 - 16 x 1-3/4 Hex Hd	2	2	2	2	
18		92008 3 Lock Washer, 3/8	11	11	11	11	
19		S-1917 Plug, 1/2 Std Pipe - Ctisk Hd	4	6	4	6	
19		S-1900 Plug, 1/2 Std Pipe	1	1	1	1	
19A		S-2621 Elbow, 1/2 x 90° Mall Sirt - Orchard	2	2	2	2	
20		S-1919 Plug, 3/8 Pipe - Ctisk Hd			2	2	
14	1KA-2001-C	BASE, Control Mounting (Grey Iron) (To be used when 1KS-2001-C not available)	1	1	1	1	K20452-K35000
1K-2001-C		BASE (1K-2001-C) with Washer (1K-2021-A) and Seat (1K-2023-B), Control Mounting (This will work for 1K-2001-B or 1KA-2001-B)	1	1	1	1	K20452-K35000
1KSR-2001-C		BASE Assembly - Repair (Will replace any prior Base except 1K-2001-A)	1	1	1	1	K-1000-K35000
1KSC-2001-H		MOUNTING BASE, Reservoir and Pump Assembly (Replaces any prior assembly on Hydra-Electric two cylinder units)	1				K1000-K35000
1KSD-2001-H		MOUNTING BASE, Reservoir and Pump Assembly (Replaces any prior assembly on Hydra-Electric one cylinder units)	1				K1000-K35000
1KSC-2001-J		MOUNTING BASE, Reservoir and Pump Assembly (Replaces any prior assembly on Hydraulic two cylinder units)			1		K1000-K35000
1KSD-2001-J		MOUNTING BASE, Reservoir and Pump Assembly (Replaces any prior assembly on Hydraulic one cylinder units)				1	K1000-K35000

## HYDRA-ELECTRIC AND HYDRAULIC RESERVOIR AND SELECTOR VALVE

Ref. No.	Part Number	Description	Hydra-Electric 2 Cyl. 11 Cyl.	Hydraulic 2 Cyl. 11 Cyl.	Unit Serial Number
21	IK-2002-A	HOUSING, Reservoir 908332 Cap Screw, 3/8 - 16 x 1 Hex Hd 920083 Lock Washer, 3/8	1 8 8		K7181-K16077
22	IK-2002-B	HOUSING, Reservoir 908332 Cap Screw, 3/8 - 16 x 1 Hex Hd 920083 Lock Washer, 3/8		1 8 8	K16078-K20451
24	IK-2002-C	HOUSING, Reservoir (Order 1KSR-2002-C) 908333 Cap Screw, 3/8 - 16 x 1-1/4 Hex Hd 920083 Lock Washer, 3/8	1 8 8		K20452-K35000
24	IK-2002-D	HOUSING, Reservoir (Order 1KSR-2002-C) 908332 Cap Screw, 3/8 - 16 x 1 Hex Hd 920083 Lock Washer, 3/8		1 8 8	K20452-K23678
23	IKSR-2002-C	HOUSING Repair Package, Reservoir	1	1	
24	IK-2002-E	HOUSING, Reservoir (Order 1KSR-2002-C) 908333 Cap Screw, 3/8 - 16 x 1-1/4 Hex Hd 920083 Lock Washer, 3/8	1 8 8		K23679-K35000
23	IK-2003	GASKET, Reservoir Housing (1KA-2003-A will work)	1	1	K1000-K20451
26	1KA-2003-A	GASKET, Reservoir Housing	1	1	K20452-K35000
27	1KS-2004-A	COVER Assembly, Reservoir (Cast) 908316 Cap Screw, 5/16 - 18 x 7/8 Hex Hd 920082 Lock Washer, 5/16	1 4 4		K7181-K14656
28	1KS-2004-C	COVER Assembly, Reservoir (Steel) 908314 Cap Screw, 5/16 - 18 x 5/8 Hex Hd 920082 Lock Washer, 5/16	1 4 4		K14657-K35000 K23977-K35000
28	1K-2004-B	COVER, Reservoir 908316 Cap Screw, 5/16 - 18 x 7/8 Hex Hd 920082 Lock Washer, 5/16		1 4 4	K16078-K23676
29	IK-2005-A	GASKET, Reservoir Cover	1	1	K7181-K35000
32	1K-2006-A	BREATHER	1	1	K7181-K35000
33	IK-2007-B	BODY, Selector Valve (Die Casting) (Order 1KS-2007-C) 920156 Lock Washer, 3/8 Internal Tooth S-1919 Plug, 3/8 Cisk Hd Pipe S-3143 Cap Screw, 3/8 - 16 x 3-3/4 Hex Hd	2 8 8 8	1	K9495-K20023
34	IKA-2007-B	BODY, Selector Valve (Grey Iron) (Order 1KS-2007-C) (To be used when 1K-2007-B not available)	2	1	K9495-K20023
33	IK-2007-C	BODY, Selector Valve (Die Casting) (Order 1KS-2007-C) 920156 Lock Washer, 3/8 Int Tooth S-1919 Plug, 3/8 Pipe - Cisk Hd S-3143 Cap Screw, 3/8 - 16 x 3-3/4 Hex Hd	2 8 8 8	2	K20024-K35000
34	IKA-2007-C	BODY, Selector Valve (Grey Iron) (Order 1KS-2007-C) (To be used when 1K-2007-C not available)	2	1	K20024-K35000
37	IKSA-2007-B	BODY with Plugs, Selector Valve VALVE Assembly, Selector - RH (Order 1KSA-2007-C)	2 1	2	K20024-K35000 K9495-K20023
37	IKSA-2007-C	VALVE Assembly, Selector - RH (Die Cast Body) (Will work for 1KSA-2007 or 1KSA-2007-E)	1	1	K20024-K35000
37	IKASA-2007-C	VALVE Assembly, Selector - RH (Grey Iron Body) (To be used when 1KSA-2007-C not available)	1	1	K20024-K35000

SECTION X  
OPTIONAL EQUIPMENT

77 PARTS BOOK

HYDRA-ELECTRIC AND HYDRAULIC RESERVOIR AND SELECTOR VALVE

Ref. No.	Part Number	Description	Hydra-Electric 2 Cyl.   1 Cyl.	Hydraulic 2 Cyl.   1 Cyl.	Unit Serial Number
37	1KSB-2007-B	VALVE Assembly, Selector - LH (Order 1KSB-2007-C)	1		K 9495-K20023
37	1KSB-2007-C	VALVE Assembly, Selector - LH (Die Cast Body) (Will work for 1KSB-2007-B)	1	1	K20024-K35000
37	1KASB-2007-C	VALVE Assembly, Selector - LH (Grey Iron Body) (To be used when 1KSB-2007-C not available)	1	1	K20024-K35000
38	1KS-2008-A	SPOOL Assembly, Selector Valve	2	1	K9495-K35000
39	1K-2009-A	PLUNGER, Interlock	2	1	K9495-K35000
40	1K-2010-A	SEAT, Interlock Valve	4	2	K9495-K35000
41	1K-2011-B	GUIDE, Interlock Valve	4	2	K9495-K35000
42		S-3735 Ball, 3/4 Dia Steel	4	2	
43	1K-2012	SPRING, Interlock - Large	4	2	K 1000-K35000
44	1K-2014	COVER, Base Plate Valve Port		1	K20452-K35000
45		908 333 Cap Screw, 3/8 - 16 x 1-1/4 Hex Hd		4	
46		920156 Lock Washer, 3/8 Int Tooth		4	
47	1KS-2015	LEVER Assembly, Solenoid	2	1	K1000-K23976
48	1KS-2015-A	LEVER Assembly, Solenoid	2	1	K 23977-K35000
49	1KS-2018	SHAFT Assembly, Hand Actuating	2	1	K1000-K19079
49	1KS-2018-A	SHAFT Assembly, Hand Actuating	2	1	K19080-K23976
50	1KAS-2018-B	SHAFT Assembly, Hand Actuating	2	1	K23977-K35000
51	1K-2019	PLUNGER, Relief Valve	1	1	K1000-K35000
51A	1K-2019-A	PLUNGER, Relief Valve (Special Adjustable Relief Valve)	1	1	K1000-K35000
52	1K-2020	GUIDE, Relief Valve	1	1	K 1000-K35000
52A	1K-2020-A	NUT, Relief Valve (Special Adjustable Relief Valve)	1	1	K 1000-K35000
53	1K-2021	WASHER, Relief Valve Crush	Req.	Req.	K1000-K9494
54	1K-2021-A	WASHER, Relief Valve Seat Crush (Used only with die cast bases)	1	1	K9495-K35000
54 A	1K-2021-B	WASHER, Relief Valve Crush (Special Adjustable Relief Valve)	1	1	K1000-K35000
55	1K-2022	SPRING, Relief Valve			K1000-K35000
56	1K-2023-B	SEAT, Relief Valve (Used only with die cast bases)	1	1	K9495-K35000
57	1KS-2024-B	VALVE Assembly, Thermal Relief	2	1	K1000-K35000
58	1K-2026	PACKING, 3/32 x 5/8 "10" Ring (In Base Plate)	8	4	K1000-K35000
59	1K-2028	PACKING, 1/8 x 3/4 "10" Ring (With Valve-Seats)	4	2	K1000-K35000
59A	1K-2029	PACKING, 3/32 x 1/2 "10" Ring (Special Adjustable Relief Valve)	1	1	K1000-K35000
60	1K-2029-A	P ACKING, 1/16 x 3/8 "10" Ring	2	1	K1000-K35000
61	1K-2030-A	SNAP RING, Selector Valve Spool	2	1	K9495-K35000
62	1K-2030-B	SNAP RING, Selector Valve Body	2	1	K9495-K35000
63	1K-2030-C	SNAP RING, No. 100 Tmrc In Internal	4	2	K9495-K20023
64	1K-2031-A	RING, External Retaining - Small	4	2	



## HYDRA-ELECTRIC AND HYDRAULIC RESERVOIR AND SELECTOR VALVE

Ref. No.	Part Number	Description	Hydro-Electric 2 CyL, 1 CyL	Hydraulic 2 CyL, 1 CyL	Unit Serial Number
65	1K-2031-B	RING, External Retaining - Large	2	2	K1000-K35000
66	1KS-2032-A	SOLENOID Assembly, Valve Actuating 915667 Nut, No. 10 - 32	2	2	K1000-K35000
67			2		
68	1K-2033-A	SPRING, Valve Centering	2	2	K9495-K35000
69	1K-2034-A	WASHER, Valve Spool	2	2	K9495-K35000
70	1KS-2035-A	LEVER Assembly, Hand Actuating - Right 908465 Cap Screw, 5/16 - 24 x 7/8 Hex Hd	1	1	K23977-K35000
71			1	1	
72	1KS-2035-B	LEVER Assembly, Hand Actuating - Left 908465 Cap Screw, 5/16 - 24 x 7/8 Hex Hd	1	1	K23977-K35000
73			1	1	
74	1K-2036	JOINT, Ball Socket (Threaded)	2	2	K4000-K35000
75	1K-2037	JOINT, Ball Socket (Tapped)	2	2	K1000-K35000
76	1KS-2038	CONNECTOR Assembly, Solenoid (6 Wires) S-896 Padnut, 7/8 - 20 Reg Type	1	1	K1000-K35000
77			1	1	
78	1K-2039	GASKET, Solenoid Connector (Also used in replacement package 1KSR-2002-C)	1	1	K1000-K35000
79	1K-2055	PACKING, 3/32 x 11/16 "O.D." Ring (Used with 1K-2011-B Guide)	4	4	K1000-K35000
80	1KS-2059-A	TUBE AND PLATE, Breather 908299 Cap Screw, 1/4 - 20 x 1/2 Hex Hd		1	K16078-K23976
81				2	
82	1K-2064	LEVER, Manual Valve Actuation	1	1	K1000-K23976
83	1K-2079	SHIM, Relief Valve Adjusting	Req.	Req.	K1000-K35000
83A	1K-2105-A	RESTRICTOR, Relief Valve (Special Adjustable Relief Valve)	1	1	K1000-K35000
83B		S-1363 Pin, 3/16 x 1/2 Roll	1	1	
83C		S-1378 Pin, 3/32 x 3/8 Roll	1	1	
84	1K-2122	GASKET, Breather Tube Plate		2	K16078-K23976
85	1K-2123	LINK, Manual Control Actuating		2	K16078-K23976
86	1K-2124	JOINT, Actuating Link Ball 920154 Lock Washer, 1/4 Int Tooth 915000 Nut, 1/4 - 28 Hex		4	K16078-K23976
87				4	
88				6	
89	1KS-2125	LEVER Assembly, Manual Control Pivot		2	K16078-K23976
90	1KS-2126	PIVOT Assembly, Lever		2	K16078-K23976
91	1KS-2126-A	PIVOT Assembly, Lever		2	K23977K35000
92	1K-2128-A	SHAFT, Manual Control 920009 Washer, 3/8 SAE Pldn 932001 Cotter Pin, 1/16 x 3/4		2	K16078-K23976
93				2	
94				2	
95	1K-2129	SUPPORT, Manual Control Shaft 908333 Cap Screw, 3/8 - 16 x 1-1/4 Hex Hd 920083 Lock Washer, 3/8		1	K16078-K23976
96				2	
97				2	
98	1K-2130-A	LEVER, Operating - Right 915085 Nut, 3/8 - 24 Hex Jam 932284 Groov-Pin, 1/8 x 3/4		1	K16078-K23976
99				1	
100				1	
101	1K-2131-A	LEVER, Operating - Left 915085 Nut, 3/8 - 24 Hex Jam 932284 Groov-Pin, 1/8 x 3/4		1	K16078-K23976
99				1	
100				1	
102	1K-2132-A	COUPLING, Operating Lever		2	K16078-K23976
103	1K-2133	PLUG, Reservoir Cover		1	K16078-K23976

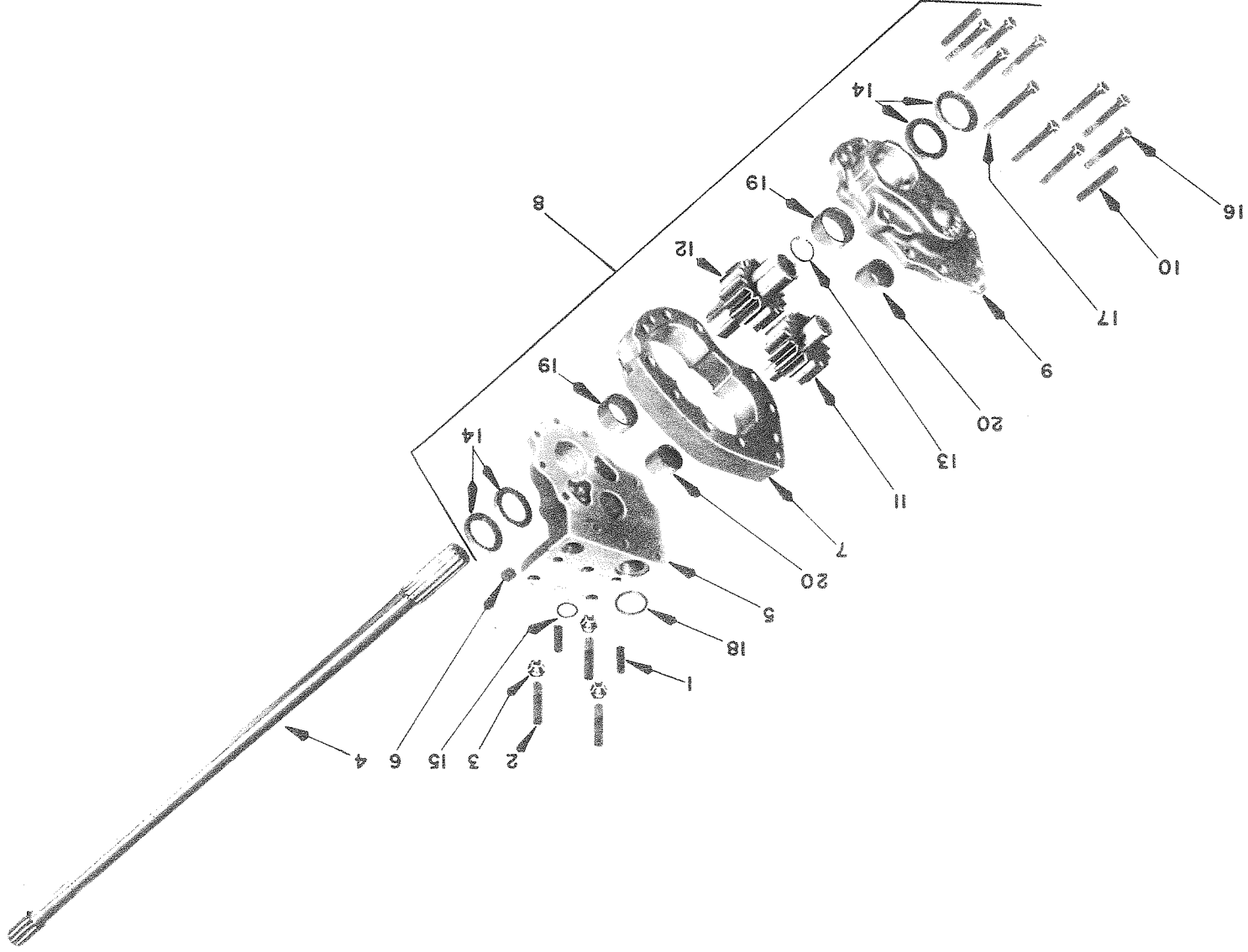
SECTION X  
OPTIONAL EQUIPMENT

## 77 PARTS BOOK

## HYDRA-ELECTRIC AND HYDRAULIC RESERVOIR AND SELECTOR VALVE

Ref. No.	Part Number	Description	Hydro-Electric 2 Cyl.   1 Cyl.	Hydraulic 2 Cyl.   1 Cyl.	Unit Serial Number
104	1K-2137	PLATE, Interlock End 908300 Cap Screw, 1/4 - 20 x 5/8 Hex Hd	2	2	K20024-K35000
105		920081 Lock Washer, 1/4	8	8	
106			8	8	
107	1K-2137-A	PLATE, Interlock End (Unit K20024-K23976 eight 908820 required)	2	2	K20024-K35000
108		908820 Screw, 1/4 - 20 x 5/8 Mach	4	4	
109	1KR-2138	PLUG, Reservoir (Used in replacement package 1KSR-2002-C)		1	
110	1KAS-2141	PLATE Assembly, Bearing 932798 Groov-Pin, 3/32 x 5/8 S-1383 Pin, 3/32 x 5/8 Roll	2	2	K23977-K35000
111			2	2	
111			2	2	
112	1K-2143	SUPPORT, Bearing Plate Spring 908821 Screw, 1/4 - 20 x 3/4 Mach	2	2	K23977-K35000
113			4	4	
114	1K-2145	WASHER, Bearing Plate	2	2	K23977-K35000
115	1LA-5351	CARTRIDGE, Filtering	1	1	K20452-K35000
116	1K-5353-A	BODY, Filter	1	1	K20452-K35000
117	1L-5356	GASKET, Filter	1	1	K20452-K35000
118	1K-5361-A	SPRING, Filter	1	1	K20452-K35000
119	1K-5362-A	RETAINER, Filter Spring	1	1	K20452-K35000
120	1KA-5363-A	CAP SCREW, Filter	1	1	K20452-K35000
121	1K-5364	GASKET, Filter Cap Screw	1	1	K20452-K35000
122	1L-5365	GASKET, Filtering Cartridge - Top	1	1	K20452-K35000
123	1K-5366	GASKET, Filtering Cartridge - Bottom	1	1	K20452-K35000

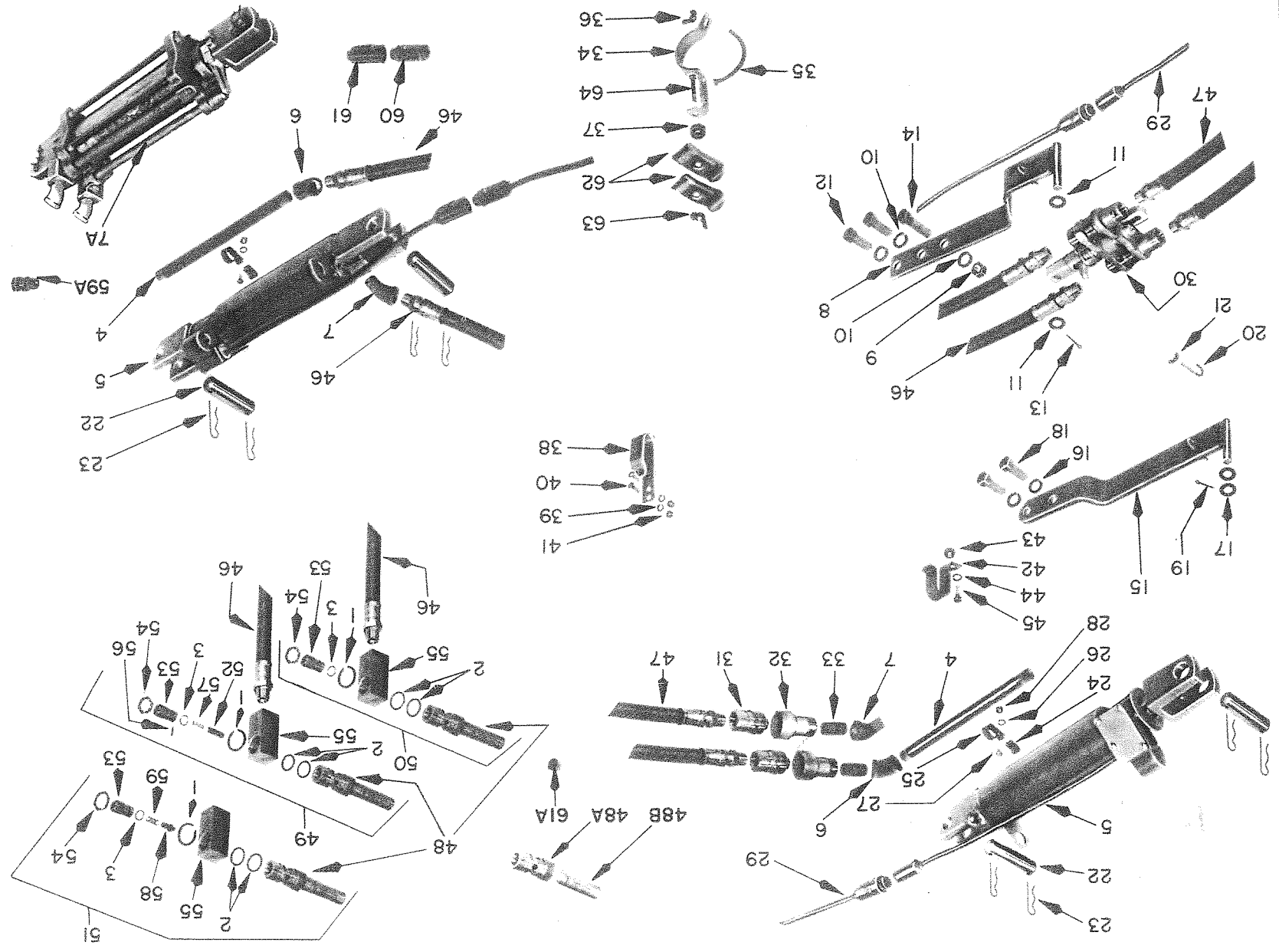
HYDRA-ELECTRIC AND HYDRAULIC PUMP



## HYDRA-ELECTRIC AND HYDRAULIC PUMP

Ref. No.	Part Number	Description	Hydra-Electric 2 Cyl. 1 Cyl.	Hydraulic 2 Cyl. 1 Cyl.	Unit Serial Number
1	1B-597	PIN, Dowel	2	2	K1000-K35000
2	1K-1115-B	STUD - 7/16 x 2-1/16 (See 1K-2054 for Stud and Nut used prior to shown unit number) 915636 Nut, 7/16 - 20 Self Locking	3	3	K28010-K35000
3			3	3	
4	1KA-2041	SHAFT, Pump Drive (Not required on tractors with Power Take-Off)	1	1	K1000-K35000
5	1K-2042-A	PLATE, Pump Front S-1922 Plug, 1/4 Std Hdless Slotted Steel	1	1	K4082-K35000
6			1	1	
7	1K-2043-B	PLATE, Pump Center	1	1	K7125-K35000
8	1KSB-2043-B	PUMP Assembly (Will replace any prior Pump)	1	1	K1000 K35000
9	1K-2044	PLATE, Pump Rear	1	1	K1000-K35000
10	1K-2045-A	DOWEL, Pump Housing	2	2	K7125-K35000
11	1KS-2046-A	GEAR AND SHAFT Assembly, Pump Idler (Order 1KSR-2049-B)	1	1	K1101-K19090
11	1KS-2046-B	GEAR AND SHAFT Assembly, Pump Idler	1	1	K19091-K35000
12	1KS-2049-A	GEAR AND SLEEVE Assembly, Pump (Order 1KSR-2049-B)	1	1	K1101-K19090
12	1KS-2049-B	GEAR AND SLEEVE Assembly, Pump	1	1	K19091-K35000
13	1K-2052	GEAR Package (Replacement)	1	1	K1000-K35000
		SNAP RING, Pump (Not required on tractors with Power Take-Off)	1	1	K1000-K35000
14	1K-2053	SEAL, Pump Oil	4	4	K1000-K35000
		STUD - 7/16 x 1-7/8 (Used prior to 1K-1115-B) S-892 Nut, 7/16 - 20 Castle S-2880 Wire, No. 16 - 14" Long	3	3	K1000-K28009
			3	3	
			1	1	
15	1K-2055	PACKING, 3/32 x 11/16 "O" Ring	1	1	K1000-K35000
16	1K-2056-A	CAP SCREW, 3/8 x 2-1/8 Drilled Head S-2880 Wire, 16 Ga Annealed - 42" Long	9	9	K7125-K35000
			1	1	
17	1K-2056-B	CAP SCREW, 3/8 x 2-3/4 Drilled Head	1	1	K7125-K35000
18	1K-2264	PACKING, 1/8 x 1-1/8 "O" Ring	1	1	K4082-K35000
19	1KS-5041	BEARING, Needle (Drive Sleeve) (Torrington GB-2212)	2	2	K1000-K35000
20	1KS-5042	BEARING, Needle (Idler Shaft) (Torrington GB-1616)	2	2	K1000-K35000

**HYDRA-ELECTRIC AND HYDRAULIC CYLINDERS AND HOSE CONNECTIONS**



**SECTION X  
OPTIONAL EQUIPMENT**

**77 PARTS BOOK**

**HYDRA-ELECTRIC AND HYDRAULIC CYLINDERS AND HOSE CONNECTIONS**

Ref. No.	Part Number	Description	Hydra-Lectric 2 Cyl. 1 Cyl.	Hydraulic 2 Cyl. 1 Cyl.	Tractor Serial Number
1	IL-1080	SNAP RING, Restrictor Swivel (Only 1 used on Orchard)	4	4	RC 320001-6502 Std 289001-6502
2	IK-2027	PACKING, 1/8 x 7/8 "0" Ring (In Swivel Valves) (2 used on Orchard)	8	8	RC 320001-6502 Std 289001-6502
3	IK-2029	PACKING, 3/32 x 1/2 "0" Ring (In Swivel Valves) (1 used on Orchard)	4	4	RC 320001-6502 Std 289001-6502
4	IK-2058	PIPE, Cylinder	2	1	RC 320001-6502 Std 289001-6502
5	IKS-2061-B	CYLINDER and Follow-Up Assembly, Hydra-Lectric (Order IKSA-2061-B)	2	1	RC 341034-4503591 Std 272901-4503591
6		S-1943 Elbow, 1/2 x 45° Galv Mdl.	2	1	
7		S-1944 Elbow, 1/2 x 45° Galv Mail Str	2	1	
	IKSA-2061-B	CYLINDER with Fittings and Pins, Hydra-Lectric (Order IKSA-2061-B)	2	1	RC 341034-4503591 Std 272901-4503591
	IKAS-2061-B	CYLINDER and Follow-Up Assembly, Hydra-Lectric (Order IKASA-2061-B)	2	1	RC4503592-6502 Std4503592-6502
	IKASA-2061-B	CYLINDER with Fittings and Pins, Hydra-Lectric	2	1	RC4503592-6502 Std4503592-6502
7A	IKSA-2061-C	CYLINDER with Pins, Hydraulic (Order IKSA-2061-L)		2	RC 340547-350913 Std 272901-273774
7A	IKSA-2061-D	CYLINDER with Pins, Hydraulic (Order IKSA-2061-L)		2	RC 350914-6502 Std 273775-6502
8	IKS-2066-A	BRACKET Assembly, Coupling (For Drawn Implements)		1	RC 341034-6502 Std 272901-6502
9		915006 Nut, 5/8 - 18 Hex		1	
10		920087 Lock Washer, 5/8		3	
11		920011 Washer, 1/2 Plain		2	
12		908385 Cap Screw, 5/8 - 11 x 1-3/4 Hex Hd		2	
13		932017 Cotter Pin, 1/8 x 1		1	
14		908535 Cap Screw, 5/8 - 18 x 2 Hex Hd		1	
15	IMS-2066-A	BRACKET Assembly, Coupling - Orchard (Tractor Serial Number 272881-)		1	
16		920087 Lock Washer, 5/8		2	
17		920011 Washer, 1/2 Plain		2	
18		908384 Cap Screw, 5/8 - 11 x 1-1/2 Hex Hd		2	
19		932017 Cotter Pin, 1/8 x 1		1	
20	IK-2067-A	BOLT, Cable Clamp (For Drawn Implements)		1	RC 341035-6502 Std 272901-6502
21		S-898 Nut, No. 10 - 32 Wing		1	
22	IK-2071	PIN, Cylinder Mounting (3-7/16" Long) (2 used in IKSA-2061-B, IKSA-2061-C and IKSA-2061-L) (1 used in IKSA-2061-D)	4	4	RC 320001-6502 Std 289001-6502
22	IK-2071-A	PIN, Cylinder Mounting (3-11/16" Long) (1 used in IKSA-2061-D)		2	RC 350914-6502 Std 273775-6502
23	IK-2072	CLIP, Cylinder End Pin (2 used on Orchard)	8	8	RC 320001-6502 Std 289001-6502
24	IK-2073	CLAMP, Cylinder Wire - Small	2	1	RC 320001-6502 Std 289001-6502
25	IK-2074	CLAMP, Cylinder Wire - Large	2	1	RC 320001-6502 Std 289001-6502
26		920079 Lock Washer, No. 10	2	1	
27		909022 Screw, No. 10 - 24 x 3/4 Mach	2	1	
28		915538 Nut, No. 10 - 24 Hex	2	1	
29	IKS-2075-B	CABLE, Remote Cylinder (For Drawn Implements)		1	RC 341034-6502 Std 272901-6502

## HYDRA-ELECTRIC AND HYDRAULIC CYLINDERS AND HOSE CONNECTIONS

Ref. No.	Part Number	Description	Hydra-Electric 2 Cyl.   1 Cyl.	Hydraulic 2 Cyl.   1 Cyl.	Tractor Serial Number
30	1KAS-2076-C	COUPLING Assembly, Self Sealing (For Drawn Implements)	1	1	RC 341034-6502 Std 272901-6502
31	IKS-2076-D	COUPLING, Self Sealing - Half (For Drawn Implements)	2	2	RC 341034-6502 Std 272901-6502
32	IKS-2076-E	COUPLING, Self Sealing - Half with Nut (For Drawn Implements)	2	2	RC 341034-6502 Std 272901-6502
33		S-1945 Nipple, 1/2 x 1-1/2 Galv Steel Pipe	2	2	
34	1K-2084	BRACKET, Hose Clamp	2	2	RC 320001-6502 Std 269001-6502
35	1K-2085	BOLT, Hose Clamp Bracket	2	2	RC 320001-6502 Std 269001-6502
36		915585 Nut, 5/16 - 18 Wing	2	2	
37	1K-2086	SPACER, Hose Clamp	2	2	RC 320001-6502 Std 269001-6502
38	1K-2092	SUPPORT, Hose (For Drawn Implements)	1	1	RC 320001-6502 Std 269001-6502
39		920081 Lock Washer, 1/4	2	2	
40		909055 Screw, 1/4 - 20 x 3/4 March	2	2	
41		915111 Nut, 1/4 - 20 Hex	2	2	
42	1M-2092	GUIDE, Hose - Orchard	1	1	
43		915005 Nut, 9/16 - 18 Hex	1	1	
44		908333 Cap Screw, 3/8 - 16 x 1-1/4 Hex Hd	1	1	
45		920083 Lock Washer, 3/8	1	1	
46	1K-2093-A	HOSE Assembly - 48" Long	4	4	RC 332451-6502 Std 271655-6502
46	1M-2093	HOSE Assembly - Orchard - 44" Long	2	2	
47	1K-2094	HOSE Assembly - 84" Long (For Drawn Implements) (Also used with Hydraulic Side Hill Hitch)	2	2	RC 320001-6502 Std 269001-6502
48	1K-2104	BODY, Restrictor (Order 1K-2104-A and S-2031) (1 used on Orchard)	4	4	RC 332451-4502116 Std 271655-4502116
48A	1K-2104-A	BODY, Restrictor	4	4	RC4502117-6502 Std4502117-6502
48B		S-1681 Nipple, 1/2 x 3-1/2 Steel Pipe	4	4	
49	IKS-2104	SWIVEL Assembly, Restrictor (Order IKS-2104-A) (Painted Red)	2	2	RC 332451-4502116 Std 271655-4502116
49	IKS-2104-A	SWIVEL Assembly, Restrictor (Painted Red)	4	4	RC4502117-6502 Std4502117-6502
50	IKSA-2104	SWIVEL Assembly, Free Flow (Order IKSA-2104-A) (Painted Green)	2	2	RC 332451-4502116 Std 271655-4502116
50	IKSA-2104-A	SWIVEL Assembly, Elbow	2	2	RC4502117-6502 Std4502117-6502
51	IKSB-2104	SWIVEL Assembly, Momentary Restrictor (Order IKSB-2104-A) (Painted Yellow)	1	1	RC 332451-4502116 Std 271655-4502116
51	IKSB-2104-A	SWIVEL Assembly, Momentary Restrictor (Painted Yellow)	1	1	RC4502117-6502 Std4502117-6502
52	1K-2105	PLUNGER, Restrictor	2	2	RC 332451-4502116 Std 271655-4502116
53	1K-2106	GUIDE, Restrictor	4	4	RC 332451-4502116 Std 271655-4502116
54		S-894 Padnut, 3/4 - 20 Reg Type	4	4	
		S-1377 Groove-Pin, 1/8 x 5/8	2	2	
55	1K-2107	SWIVEL, Restrictor (Order 1KA-2107) (Only 1 used on Orchard)	4	4	RC 332451-4502116 Std 271655-4502116

SECTION X  
OPTIONAL EQUIPMENT

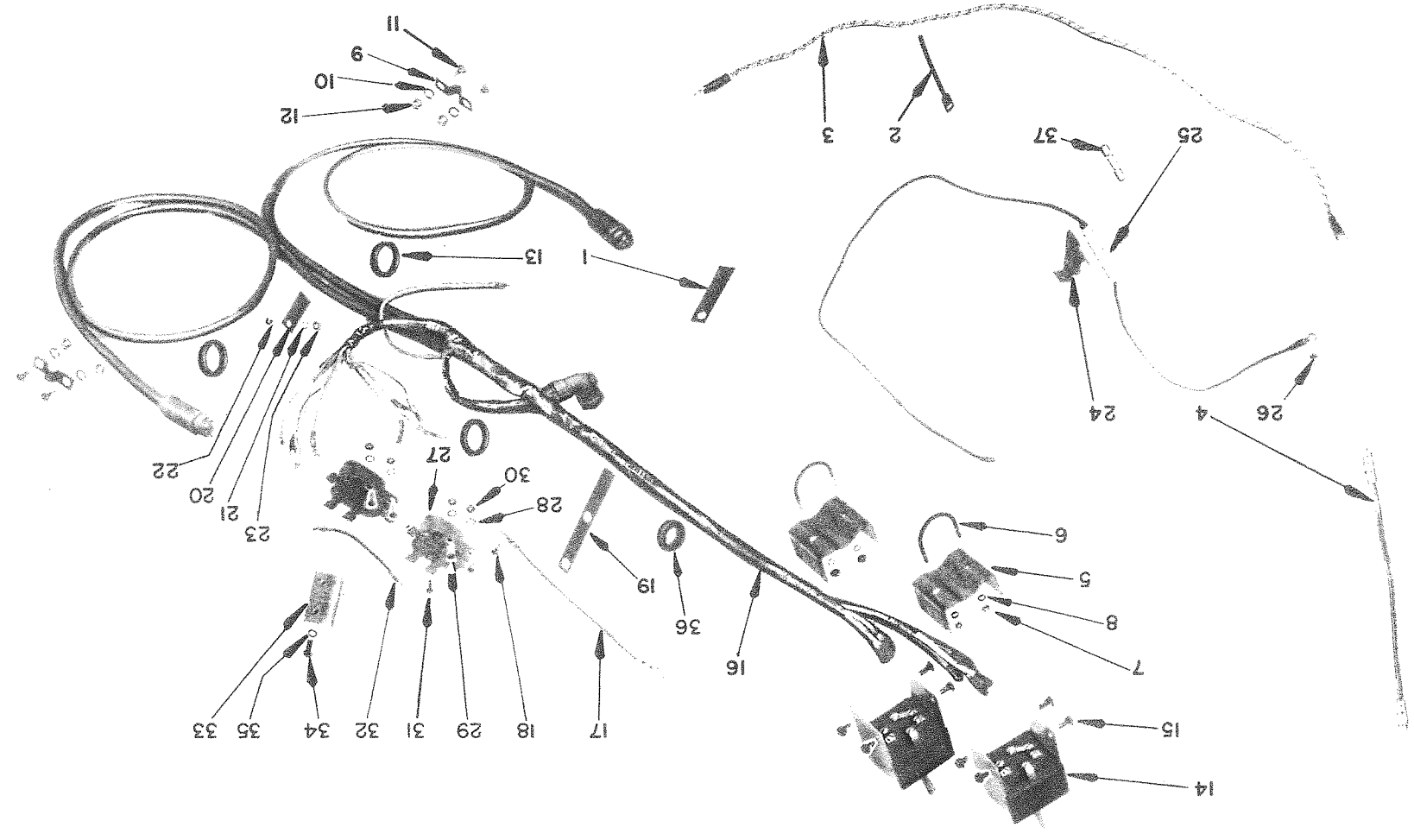
## 77 PARTS BOOK

## HYDRA-ELECTRIC AND HYDRAULIC CYLINDERS AND HOSE CONNECTIONS

Ref. No.	Part Number	Description	Hydro-Electric 2 Cyl.   1 Cyl.	Hydraulic 2 Cyl.   1 Cyl.	Tractor Serial Number
56	1K-2108	PIN, Restrictor Plunger	2	2	RC 332451-4502116 Std 271655-4502116
57	1K-2109	SPRING, Restrictor	2	2	RC 332451-4502116 Std 271655-4502116
58	1K-2114	PLUNGER, Momentary Restrictor (For use with front end loaders with single acting cylinders)	2	2	RC 332451-6502 Std 271655-6502
59	1K-2115	SPRING, Momentary Restrictor (For use with front end loaders with single acting cylinders)	2	2	RC 332451-6502 Std 271655-6502
59A	1K-2136	UNION, Straight Adapter (Used with 1K-2094 on Hydraulic Side Hill Hitch)	2	2	RC 320001-6502 Std 269001-6502
60	1K-2222-C	CONNECTOR Assembly, Female Wire	2	2	RC 341034-6502 Std 272901-6502
61	1K-2222-D	CONNECTOR Assembly, Male Wire	2	2	RC 341034-6502 Std 272901-6502
61A	1K-2282	PROTECTOR, External Thread (Used with Swivels)	4	2	RC 320001-6502 Std 269001-6502
62	1EP-7868	CLAMP, Hose	4	4	RC 320001-6502 Std 269001-6502
63		915585 Nut, 5/16 - 18 Wing	2	2	
64		908321 Cap Screw, 5/16 - 18 x 2 Hex Hd	2	2	



HYDRA-ELECTRIC WIRING HARNESS



SECTION X  
OPTIONAL EQUIPMENT

77 PARTS BOOK

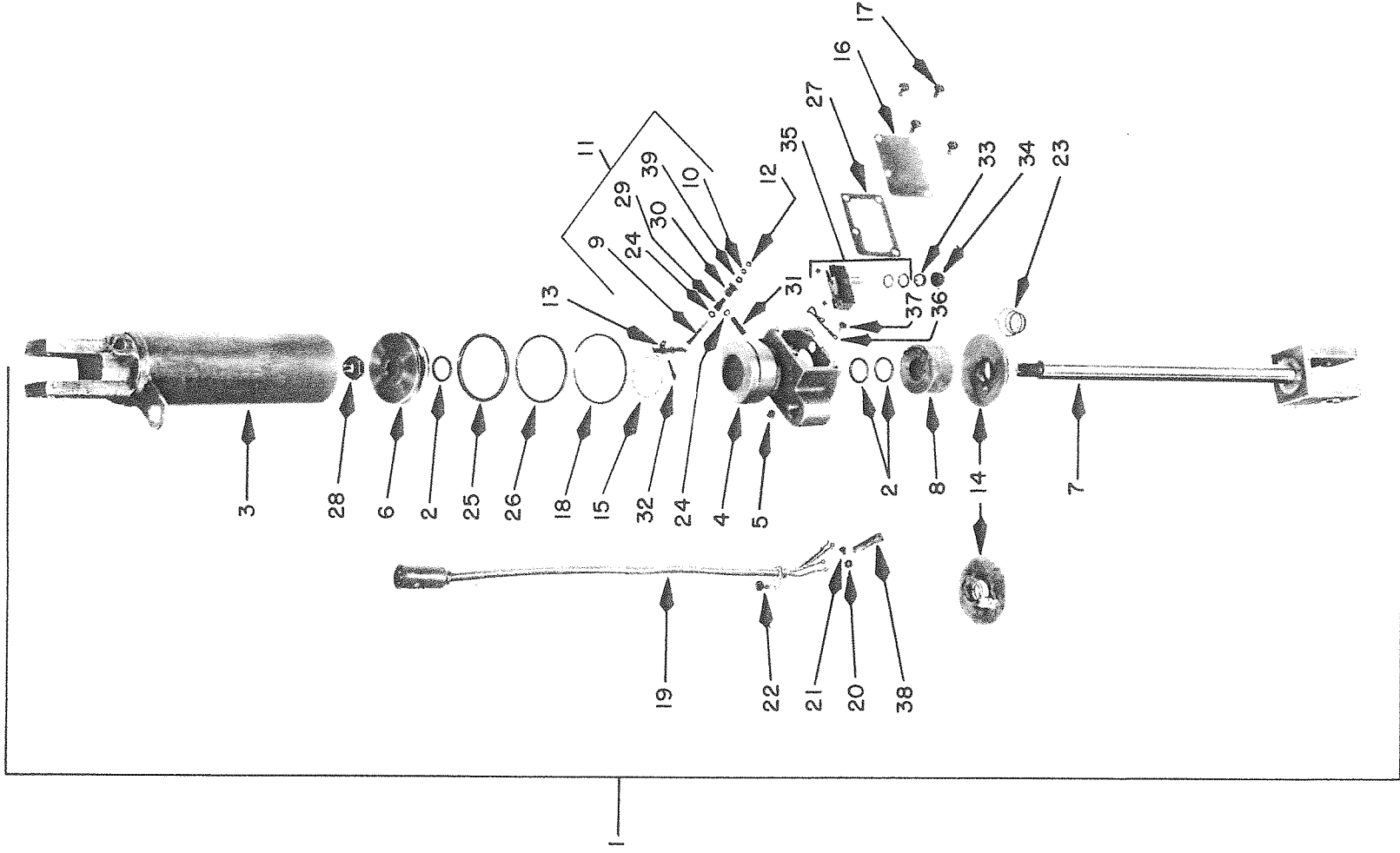
HYDRA-ELECTRIC WIRING HARNESS

Ref. No.	Part Number	Description	Hydra-Electric 2 Cyl. 1 Cyl.	Tractor Serial Number
1	1H-1273-A	CLIP (2-1/2" long, 5/8" wide, 9/32" hole)	1	RC 344802-6502 Std 273126-6502
2	1K-1273-D	CLIP, Wrap Around (Fuse to Relay Wire) (3-1/4" long, 3/16" wide, slot)	1	RC 320001-6502 Std 269001-6502
3	1KS-1356	WIRE, Fuse to Relay (29-1/2" Long)	1	RC 344802-6502 Std 273126-6502
4	1BS-1358-B	WIRE, Switch to Hydra-Electric Fuse (10" Long)	1	RC 344802-6502 Std 273126-6502
5	1K-2062	BRACKET, Hand Switch	2	RC 320001-6502 Std 269001-6502
6	1K-2063	U-BOLT, Hand Switch	2	RC 320001-6502 Std 269001-6502
7		915667 Nut, No. 10 - 32 Hex	4	
8		920079 Lock Washer, No. 10	4	
9	1K-2067	FASTENER, Cable	2	RC 320001-6502 Std 269001-6502
10		920081 Lock Washer, 1/4	4	
11		909052 Screw, 1/4 - 20 x 1/2 Mach	4	
12		915111 Nut, 1/4 - 20 Hex	4	
13	1K-2068	GROMMET, Rubber (3/8" x 1-1/2" OD)	3	RC 320001-6502 Std 269001-6502
14	1KS-2070-A	SWITCH Assembly, hand	2	RC 341034-6502 Std 272901-6502
15		S-2564 Fastener, No. 10 - 32 x 7/16 Sems	8	
16	1KS-2091-D	HARNESS, Control Wiring	1	RC 341034-6502 Std 272901-6502
16	1MS-2091-A	HARNESS, Control Wiring - Orchard (Tractor Serial Number 271411-)	1	
17	1KS-2095	WIRE, Starter Switch to Combination Switch (12" Long)	1	RC 320001-6502 Std 269001-6502
18		S-2553 Screw, No. 8 - 32 x 3/8 Sems	1	
19	1K-2111	CLIP, Upper Control Wiring Harness (3/8" wide, 5-1/4" long, two 13/32" holes)	1	RC 320001-344801 Std 269001-273125
20	1K-2112	CLIP, Lower Control Wiring Harness (3/4" wide, 1-3/4" Long, 7/32" hole)	1	RC 320001-344801 Std 269001-273125
21		S-263 Lock Washer, No. 10	1	
22		S-756 Screw, No. 10 - 24 x 1/2 Mach	1	
23		S-833 Nut, No. 10 - 24 Hex	1	
24	1K-2113-A	CLIP, Fuse	1	RC 320001-344801 Std 269001-273125
25	1KS-2116-A	WIRE Assembly, Fuse	1	RC 320001-344801 Std 269001-273125
26		S-2553 Screw, No. 8 - 32 x 3/8 Sems	1	
27	1KA-2117	RELAY	2	RC 341034-6502 Std 272901-6502
28		920152 Lock Washer, No. 10 Skateproof	4	
29		909019 Screw, No. 10 - 24 x 1/2 Mach	2	
30		915538 Nut, No. 10 - 24 Hex	4	
31		S-2553 Screw, No. 8 - 32 x 3/8 Sems	8	
32	1K-2118	WIRE, Relay Jumper	1	RC 341034-6502 Std 272901-6502

## HYDRA-ELECTRIC WIRING HARNESS

Ref. No.	Part Number	Description	Hydra-Electric 2 Cyl.   1 Cyl.	Tractor Serial Number
33	1K-2119	BRACKET, Relay Mounting	1	RC 35140-6502 Std 273840-6502
34		909136 Screw, No. 10 - 32 x 1/2 Mach	2	
35		920079 Lock Washer, No. 10	2	
	IKSR-2246	CONNECTOR Package, Wiring Harness (Can be used on IKS-2091-D)	1	
	IKSR-2246-A	CONNECTOR Package, Wiring Harness (Can be used on IMS-2091-A)	1	
36	1CD-7364	GROMMET, Rubber	1	RC 320001-6502 Std 269001-6502
37	IK-7371	FUSE (30 Ampere) (1/4" x 1-7/16" Long)	1	RC 320001-6502 Std 269001-6502

HYDRA-ELECTRIC CYLINDER



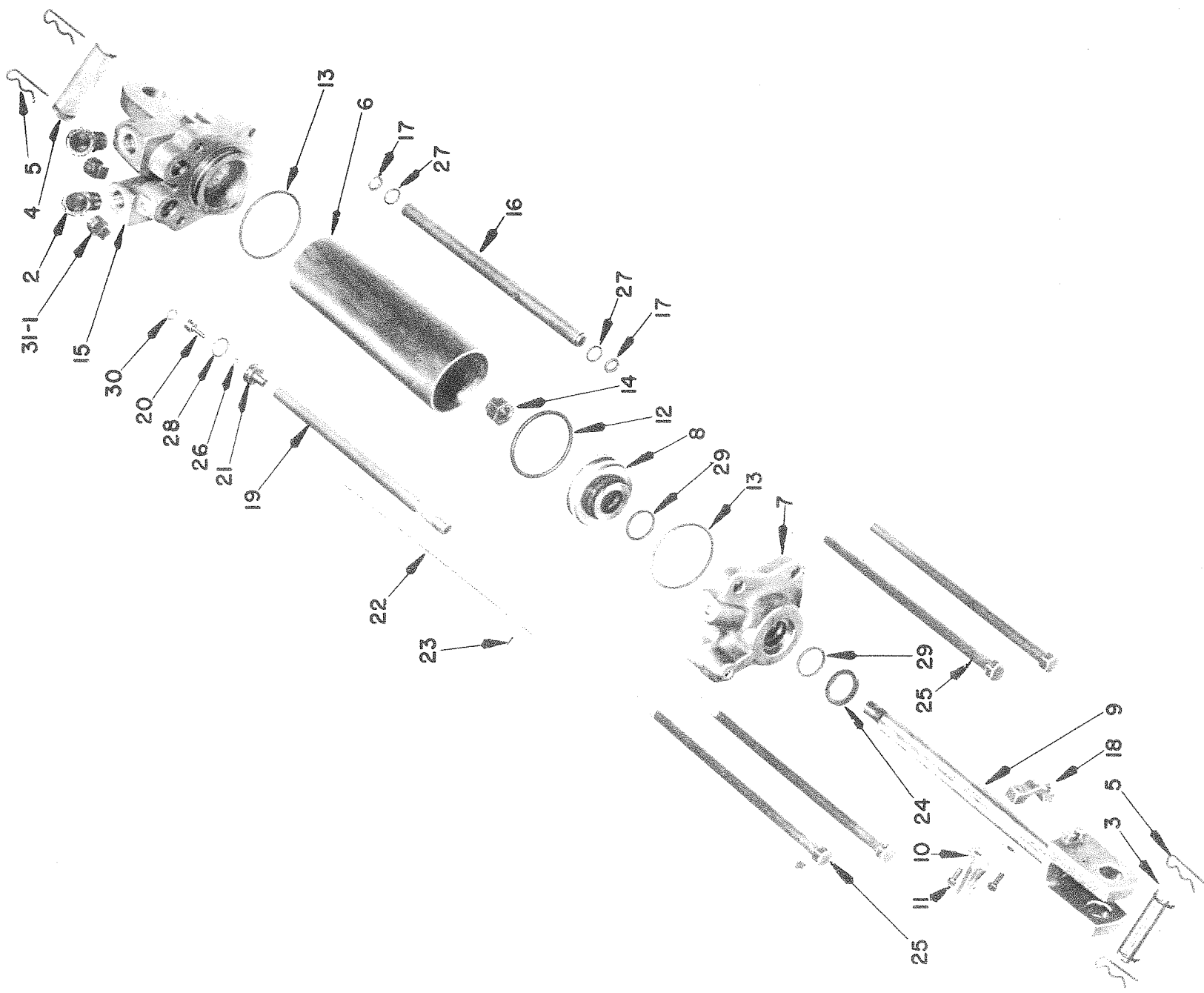
## HYDRA-ELECTRIC CYLINDER

Ref. No.	Part Number	Description	Hydra-Electric 2 Cyl., 1 Cyl.	Tractor Serial Number
1	IKS-2061-B	CYLINDER Assembly, Magnetic Type (Has straight bracket)	2	RC 341034-4503591 Std 272901-4503591
1	IKAS-2061-B	CYLINDER Assembly, Magnetic Type (Has angle bracket)	2	RC4503592-6502 Std 4503592-6502
Ref. No.	Part Number	Breakdown For One Cylinder Assembly	IKS-2061-B	IKAS-2061-B
2	1K-2027	PACKING, 1/8 x 7/8 "0" Ring	3	3
3	IKS-2201	BARREL Assembly, Cylinder (Has Straight Bracket)	1	
3	IKS-2201-C	BARREL Assembly, Cylinder (Has Angle Bracket)		1
4	1K-2202-A	HEAD, Cylinder	1	1
5		S-1184 Set Screw, 1/4 - 20 x 1/4 Cup Point	2	2
6	IKSR-2202-A	HEAD Assembly, Cylinder (Includes Ref. No. 2, 4, 5, 8, 11, 12, 13, 14, 15, 16, 17, 19, 20, 21, 22, 23, 24, 26, 27, 31, 32, 33, 34, 35, 36, 37, 38)	1	
6	1K-2203	PISTON, Cylinder	1	1
7	IKS-2204	ROD Assembly, Cylinder Piston	1	1
8	IKS-2206-A	SOLENOID Assembly, Cylinder	1	1
9	IKS-2207-B	TERMINAL, Cylinder	1	1
10		S-897 Nut, No. 4 - 40 Hex	1	1
11	IKSA-2207-B	STUD Assembly, Cylinder	1	1
12		S-897 Nut, No. 4 - 40 Hex	1	1
13	IKS-2209-A	ARM Assembly, Cylinder Contact	1	1
14	IKS-2210-C	STOP, Cylinder	1	1
15	1K-2211	SPRING, Cylinder Contact Arm Retaining	1	1
16	1K-2213-A	COVER, Cylinder	1	1
17		S-2575 Screw, 1/4 - 20 x 1/2 Mach	4	4
18	1K-2219	RING, Cylinder Head Snap	1	1
19	IKS-2221-B	CABLE Assembly, Cylinder	1	1
20		S-899 Nut, No. 6 - 32 Hex	1	1
21		S-2574 Screw, No. 6 - 32 x 3/16 Mach	1	1
22		S-2575 Screw, 1/4 - 20 x 1/2 Blind Hd Mach	1	1
23	1K-2223-A	SPRING, Cylinder Stop	1	1
24	1K-2226-A	PACKING, 1/16 x 1/8 "0" Ring	2	2
25	1K-2227	PACKING, 3/16 x 2-5/8 "0" Ring	1	1
26	1K-2228	GASKET, 1/8 x 2-3/4 "0" Ring	1	1
27	1K-2229-A	GASKET, Cylinder Cover	1	1
28	1K-2231	NUT, Cylinder Piston Lock	1	1
29	1K-2233-A	INSULATOR, Cylinder Terminal	1	1
30	1K-2236	SLEEVE, Cylinder Terminal	1	1
31	1K-2237	SHAFT, Cylinder Contact Arm Outer	1	1
32	1K-2238	SHAFT, Cylinder Contact Arm Inner	1	1
33	1K-2239	NUT, Cylinder Micro Switch	1	1

## HYDRA-ELECTRIC CYLINDER

Ref. No.	Part Number	Erection For One Cylinder Assembly	IKS-2061-B	IKAS-2061-B
34	IK-2240-A	BOOT, Cylinder Micro Switch Nut	1	1
35	IKS-2241	SWITCH, Cylinder Micro	1	1
36	IK-2242	WIRE, Cylinder Jumper	1	1
37		S-2587 Screw, No. 6 - 32 x 5/16 Sems	1	1
38	IKA-2243	TUBING, Cylinder Varnished - 1-1/2" Long	1	1
39	IK-2244	WASHER, Cylinder Stud	1	1
	IK-2247	PIN, Stud Locking Nylon		1

HYDRAULIC CYLINDER



## HYDRAULIC CYLINDER

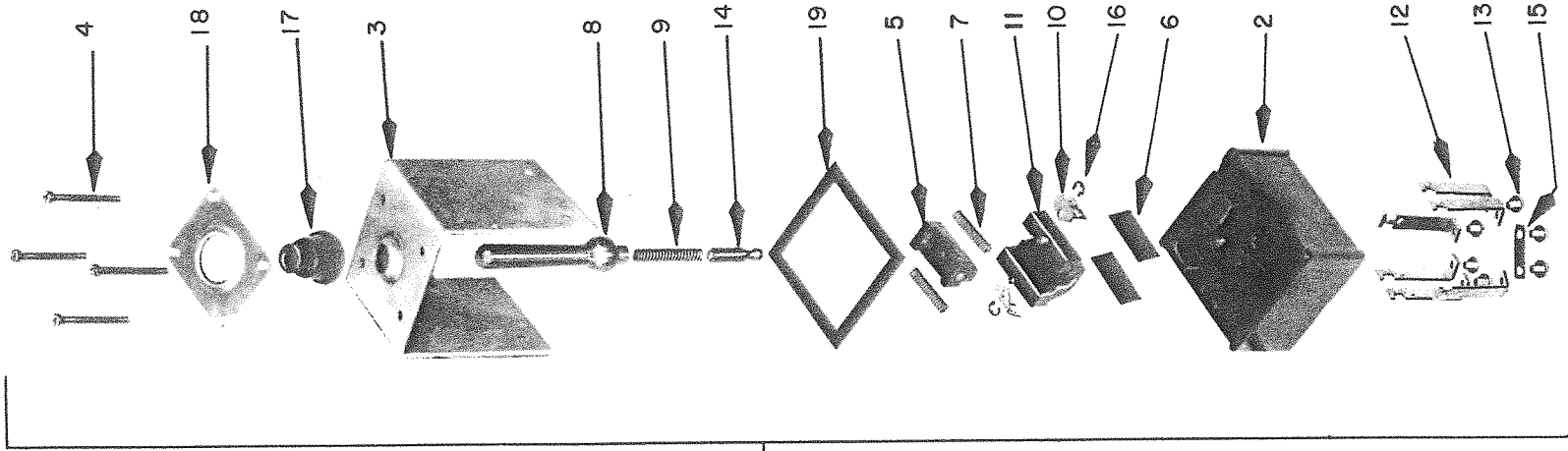
Ref. No.	Part Number	Description	Hydraulic 2 Cyl. 1 Cyl.	Tractor Serial Number
	IKSA-206 I-C	CYLINDER Assembly, Hydraulic (Can be identified by cylinder including 2 IK-2071 Mounting Pins 3-7/16" Long)	2 1	RC 340547-350913 Std 272901-273774
	IKSA-206 I-D	CYLINDER Assembly, Hydraulic (Can be identified by cylinder including 1 IK-2071 Mounting Pin 3-7/16" Long and 1 IK-2071-A Mounting Pin 3-11/16" Long)	2 1	RC 350914-6502 Std 273775-6502
Ref. No.	Part Number	Breakdown For One Cylinder Assembly	IKSA-206 I-C	IKSA-206 I-D
1	S-1900	PLUG, 1/2 Std Pipe (Order IK-2283)	2	2
2	S-1944	ELBOW, 1/2 x 45° Malle Street	2	2
30	IK-2029-A	PACKING, 1/16 x 3/8 "0" Ring (Replaces IK-2265)	1	1
28	IK-2055	PACKING, 3/32 x 11/16 "0" Ring (Replaces IK-2263)	1	1
3	IK-2071	PIN, Cylinder Mounting (3-7/16" Long)	2	1
4	IK-2071-A	PIN, Cylinder Mounting (3-11/16" Long)		1
5	IK-2072	CLIP, Cylinder Mounting Pin	4	4
6	IK-2201-A	BARREL (10-3/32" Long) (Order IKSA-2061-L)	1	1
6	IK-2201-B	BARREL (10-1/4" Long) (Order IKSA-2061-L)		1
7	IK-2202-B	HEAD	1	
7	IKS-2202-C	HEAD	1	1
8	IK-2203-B	PISTON	1	1
9	IKS-2204-A	ROD Assembly, Piston (18" Overall Length)	1	
9	IKS-2204-B	ROD Assembly, Piston (17-1/4" Overall Length)		1
10	IK-2210-B	STOP	1	1
11		S-2578 Screw, 1/4 - 20 x 1 Mach	2	2
12	IK-2227	PACKING, 3/16 x 2-5/8 "0" Ring	1	1
13	IK-2228	PACKING, 1/8 x 2-3/4 "0" Ring	2	2
14	IK-2231-A	NUT, Piston Lock	1	1
15	IK-2251	BASE	1	
15	IKS-2251-A	BASE		1
16	IKS-2252	TUBE Assembly	1	1
17		920083 Lock Washer, 3/8	2	2
18	IK-2253	CAP, Stop	1	1
19	IK-2254	TUBE 920083 Lock Washer, 3/8	1 1	
19	IK-2254-A	TUBE		1
20	IK-2255	POPPET	1	1
21	IKS-2256	RETAINER AND BUSHING Assembly, Poppet	1	1
22	IK-2258-A	ROD, Stop	1	1
23		S-1378 Pin, 3/32 x 3/8 Roll	1	1
	IKS-2258-A	ROD Assembly, Stop (Includes IK-2258-A and S-1378)	1	1
24	IK-2259	WIPER, Piston Rod	1	1



## HYDRAULIC CYLINDER

Ref. No.	Part Number	Breakdown For One Cylinder Assembly	IKSA-2061-C	IKSA-2061-D
25	IK-2260-A	BOLT, Barrel (12" Long)	4	4
26	IK-2261	PACKING, 1/16 x 3/16 "0" Ring	1	1
27	IK-2262	PACKING, 3/32 x 9/16 "0" Ring	2	2
28	IK-2263	PACKING, 3/32 x 11/16 "0" Ring (Order IK-2055)	1	1
29	IK-2264	PACKING, 1/8 x 1-1/8 "0" Ring	2	2
30	IK-2265	PACKING, 1/16 x 3/8 "0" Ring (Order IK-2029-A)	1	1
31	IK-2283	PROTECTOR, Internl Thread (This replaces S-1900 Plug)	2	2

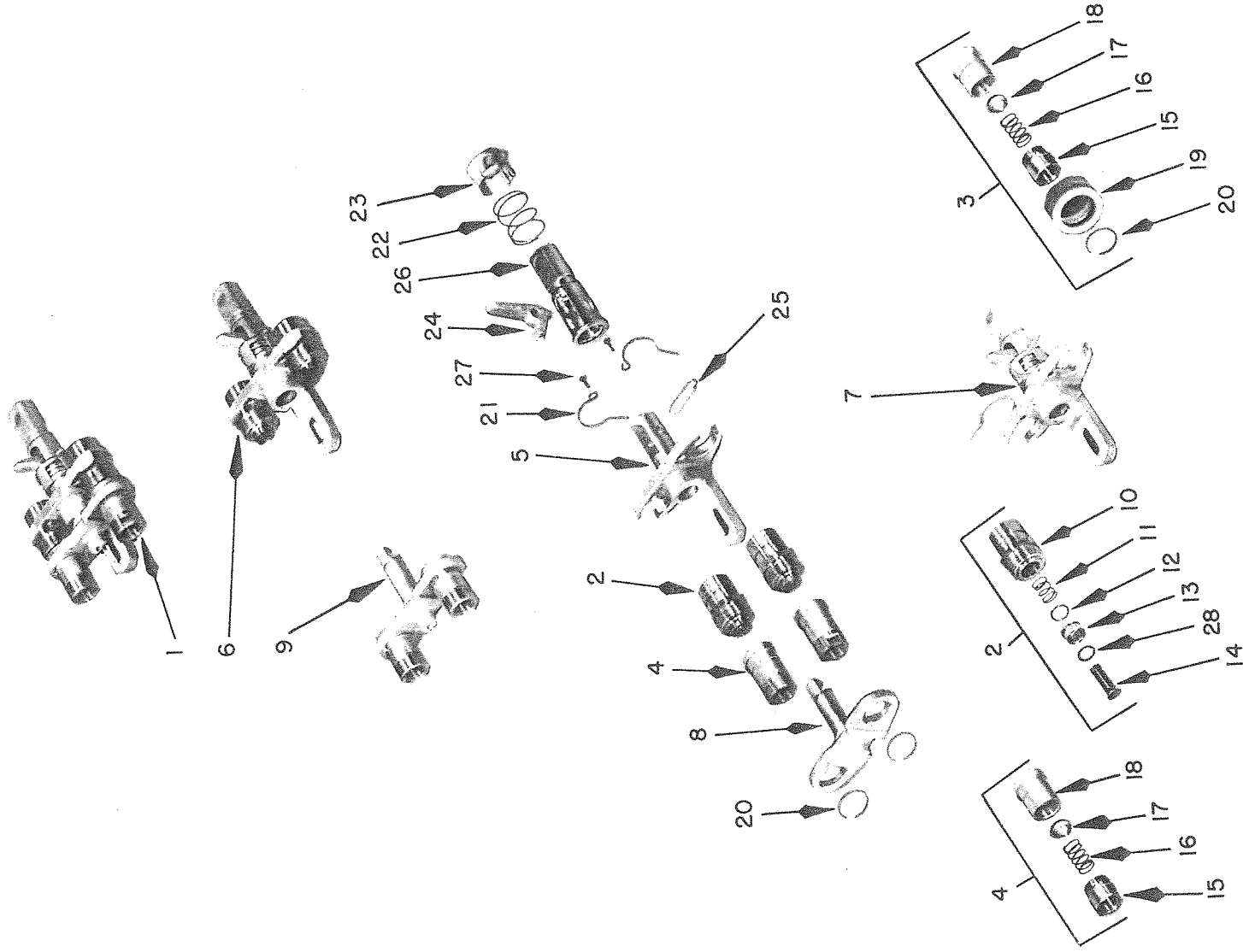
HYDRA-ELECTRIC HAND SWITCH



## HYDRA-ELECTRIC HAND SWITCH

Ref. No.	Part Number	Description	Hydra-Electric 2 Cyl.   1 Cyl.	Tractor Serial Number
1	IKS-2070-A	SWITCH Assembly, Hand	2   1	RC 341034-6502 Std 272901-6502
Ref. No.	Part Number	Ereackdown For One Hand Switch Assembly		
2	IK-2301-A	BLOCK With Inserts, Hand Switch Base (Order IKS-2301-A)		1
	IKS-2301-A	BLOCK Assembly, Hand Switch Base (Includes Ref. No. 2, 12, 13 and 15)		1
3	IK-2302-A	PLATE, Hand Switch Cover and Mounting		1
4		S-2576 Screw, No. 8 - 32 x 1-3/8 Mach		4
5	IK-2303	BLOCK, Hand Switch Actuating		1
6	IK-2304	BLADE, Hand Switch Pivot		2
7	IK-2305	SPRING, Hand Switch Slider		2
8	IK-2306	HANDLE, Hand Switch Actuating		1
9	IK-2307	SPRING, Hand Switch Handle Actuating		1
10	IK-2308	HOLDER, Hand Switch Contact		2
11	IK-2309	BLOCK, Hand Switch Sliding		1
12	IK-2310	TERMINAL, Hand Switch Contact		6
13		S-2572 Screw, No. 8 - 32 x 1/4 Mach		6
14	IK-2311	PIN, Hand Switch Actuating		1
15	IK-2312	BAR, Hand Switch Contact Terminal Buss (Order IKS-2301-A)		1
16	IK-2313	RING, Retaining (W-K) Type E No. 5133-15		2
17	IK-2314	NIPPLE, Rubber - Cole Hersee 1134-22		1
18	IK-2315	PLATE, Hand Switch Nipple		1
19	IK-2316	GASKET, Hand Switch Cover And Mounting Plate		1

HYDRA-ELECTRIC AND HYDRAULIC BREAKAWAY COUPLING



## HYDRA-ELECTRIC AND HYDRAULIC BREAKAWAY COUPLING

Ref. No.	Part Number	Description	Drawn Implement
1	IKAS-2076-C	COUPLING Assembly, Breakaway	1
2	IKSR-2076-C	REPAIR Package, Breakaway Coupling	1
3	IKS-2076-D	COUPLING HALF, Self Sealing - Threaded (2 Included in IKAS-2076-C)	4
4	IKSA-2076-E	COUPLING HALF With Nut, Self Sealing	2
5	IK-2361	COUPLING HALF, Self Sealing - Less Nut and Snap Ring	2
6	IKS-2361	FRAME, Breakaway - Latch Half (Order IKSE-2361)	1
7	IKSA-2361	FRAME, Latch and Couplings Sub Assembly, Breakaway	1
8	IKSB-2361	FRAME And Latch Sub Assembly, Breakaway	1
9	IKA-2362	FRAME And Hinge Snap Ring Assembly, Breakaway (Includes Ref No. 5, 21 and 27)	1
10	IKAS-2362	FRAME, Breakaway	1
11	IK-2363	FRAME Sub Assembly, Breakaway	1
12	IK-2364	BODY, Self Sealing Coupling - Threaded	4
13	IK-2365	SPRING, Self Sealing Coupling (In IKS-2076-D)	4
14	IKA-2366	RING, Self Sealing Coupling '10"	4
15	IK-2367	SLEEVE, Self Sealing Coupling (Includes IK-2381 Washer)	4
16	IKSA-2368	VALVE, Self Sealing Coupling Tubular	4
17	IK-2369	ADAPTER, Self Sealing Coupling	4
18	IK-2370	SPRING, Self Sealing Coupling (In IKA-2076-E)	4
19	IK-2371	VALVE, Self Sealing Coupling Poppet	4
20	IK-2372	BODY, Self Sealing Coupling	4
21	IK-2373	NUT, Self Sealing Coupling Union	2
22	IK-2374	SNAP RING, Self Sealing Coupling	4
23	IK-2375	SNAP RING, Hinge	2
24	IK-2376	SPRING, Breakaway	1
25	IK-2377	COVER, Breakaway Spring	1
26	IK-2378	LATCH, Breakaway	1
27	IK-2379	PIN, Breakaway Latch	1
28	IK-2380	BAR, Breakaway Draw	1
	IK-2381	PIN, Hinge	2
	IK-2382	WASHER, Self Sealing Coupling Rubber	4
		CAP, Coupling Dust	Req.

---

HYDRA-ELECTRIC AND HYDRAULIC LIFT

---

SECTION III

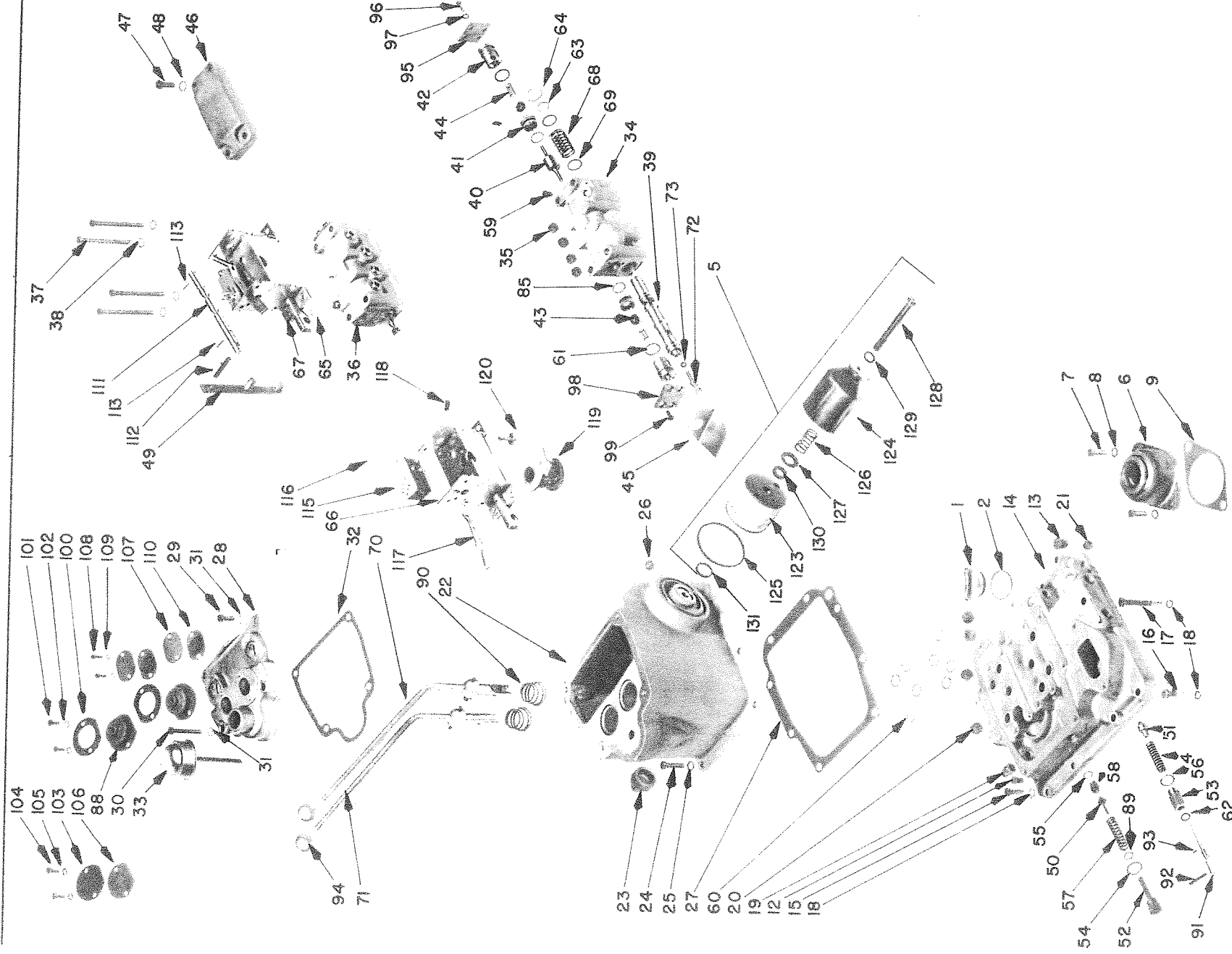
The Hydra-Lectric and Hydraulic Control units are divided into Sections I, II and III.

Tractor serial numbers or unit serial numbers (identified by prefix letter K) as well as parts shown may be duplicated in all three sections.

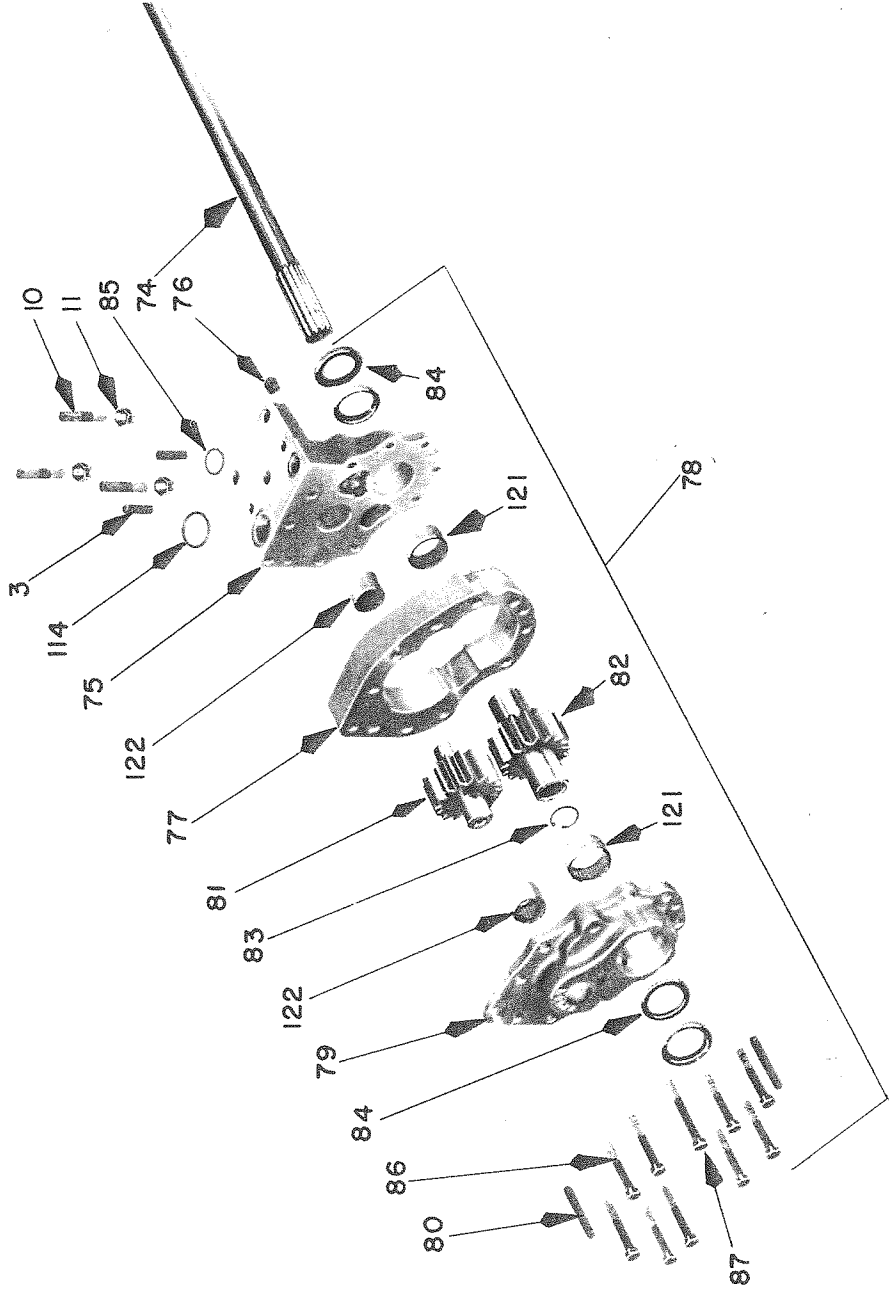
Section III covers the Hydra-Lectric and Hydraulic Control units starting with Super 77 tractors.

Check all three sections before ordering repair parts.

HYDRA-ELECTRIC AND HYDRAULIC BASIC UNIT



HYDRA-ELECTRIC AND HYDRAULIC BASIC UNIT



Ref. No.	Part Number	Description	Hydra-Electric 2 Cyl. 1 Cyl.	Hydraulic 2 Cyl. 1 Cyl.	Unit Serial Number
1	1C-A-297	CAP, Filter	1	1	K35001-
2	1C-298	GASKET, Filler Cap	1	1	K35001-
3	1B-597	PIN, Pump To Base Plate Dowel (3/8 x 1-1/8)	2	2	K35001-
4	1A-628-A	SPRING, Special Adjustable Relief Valve	1	1	K35001-
5	1KS-841-B	FILTER, Oil	1	1	K35001-
6	1K-914-A	SOCKET, Shift Lever	1	1	K35001-
7	90833	Cap Screw, 3/8 - 16 x 1-1/4 Hex Hd	2	2	2
8	920083	Lock Washer, 3/8	2	2	2
9	1K-915-A	GASKET, Shift Lever Socket	1	1	K35001-
10	1K-1115-B	STUD, Pump To Base Plate (7/16 x 2-1/16)	3	3	K35001-
11	915636	Nut, 7/16 - 20 Self Locking	3	3	K35001-
12	1B-1527	PIN, Base Plate To Rear Main Frame Dowel (15/32 x 13/16)	1	1	K35001-



## HYDRA-ELECTRIC AND HYDRAULIC BASIC UNIT

Ref. No.	Part Number	Description	Hydra-Electric 2 Cyl., 1 Cyl.	Hydraulic 2 Cyl., 1 Cyl.	Hydraulic 1 Cyl.	Unit Serial Number
13	IK-1527	PIN, Base Plate To Rear Main Frame Dowel (11/16 x 3/4)	1	1	1	K35001-
14	IK-2001-C	BASE, Control Mounting (Order IKS-2001-C)	1	1	1	K35001-
15		908332 Cap Screw, 3/8 - 16 x 1 Hex Hd	8	8	8	
16		908335 Cap Screw, 3/8 - 16 x 1-3/4 Hex Hd	2	2	2	
17		908340 Cap Screw, 3/8 - 16 x 3 Hex Hd	1	1	1	
18		920083 Lock Washer, 3/8	11	11	11	
19	IKS-2001-C	BASE And Relief Valve Assembly, Control Mounting	1	1	1	K35001-
20		S-1917 Plug, 1/2 Std Pipe (Sq Hd)	1	1	1	
21		S-1919 Plug, 3/8 Std Pipe (Ctisk Hd)	4	4	4	
22		S-1919 Plug, 3/8 Std Pipe (Ctisk Hd)	1	1	1	
22	IK-2002-F	HOUSING, Reservoir	1	1	1	K35001-
23		S-1930 Plug, 1-1/4 Pipe (Sq Hd)	1	1	1	
24		908333 Cap Screw, 3/8 - 16 x 1-1/4 Hex Hd	8	8	8	
25		920083 Lock Washer, 3/8	8	8	8	
26		S-1919 Plug, 3/8 Std Pipe (Ctisk Hd)	1	1	1	
27	IKA-2003-A	GASKET, Reservoir Housing	1	1	1	K35001-
28	IK-2004-D	COVER, Reservoir Housing	1	1	1	K35001-
29		908317 Cap Screw, 5/16 - 18 x 1 Hex Hd	2	2	2	
30		908322 Cap Screw, 5/16 - 18 x 2-1/4 Hex Hd	2	2	2	
31		920155 Lock Washer, 5/16 Internal Tooth	4	4	4	
32	IK-2005-B	GASKET, Reservoir Cover	1	1	1	K35001-
33	IK-2006-A	BREATHER	1	1	1	K35001-
34	IK-2007-C	BODY, Selector Valve	2	2	2	K35001-
35		S-1919 Plug, 3/8 Pipe (Ctisk Hd)	8	8	8	
36	IKSA-2007-D	VALVE Assembly, Selector - RH	1	1	1	K35001-
37		908342 Cap Screw, 3/8 - 16 x 4 Hex Hd	4	4	4	
38		920156 Lock Washer, 3/8 Internal Tooth	4	4	4	
36	IKSB-2007-D	VALVE Assembly, Selector - LH	1	1	1	K35001-
37		908342 Cap Screw, 3/8 - 16 x 4 Hex Hd	4	4	4	
38		920156 Lock Washer, 3/8 Internal Tooth	4	4	4	
39	IKS-2008-D	SPOOL Assembly, Selector Valve	2	2	2	K35001-
40	IK-2009-A	PLUNGER, Interlock	2	2	2	K35001-
41	IK-2010-A	SEAT, Interlock Valve	4	4	4	K35001-
42	IK-2011-B	GUIDE, Interlock Valve	4	4	4	K35001-
43		S-3735 Ball, 3/4 Dia	4	4	4	
44	IK-2012	SPRING, Interlock	4	4	4	K35001-
45	IK-2013	PLATE, Valve Splash	1	1	1	K35001-
46	IK-2014	COVER, Base Plate Valve Port	1	1	1	K35001-
47		908333 Cap Screw, 3/8 - 16 x 1-1/4 Hex Hd	4	4	4	
48		920156 Lock Washer, 3/8 Internal Tooth	4	4	4	
49	IKS-2015-C	LEVER Assembly, Valve Spool	2	2	2	K35001-
50	IK-2019	PLUNGER, Relief Valve	1	1	1	K35001-
51	IK-2019-A	PLUNGER, Special Adjustable Relief Valve	1	1	1	K35001-
52	IK-2020	GUIDE, Relief Valve	1	1	1	K35001-
53	IK-2020-A	NUT, Special Adjustable Relief Valve	1	1	1	K35001-
54	IK-2021	WASHER, Relief Valve Crush	1	1	1	K35001-
55	IK-2021-A	WASHER, Relief Valve Seat Crush	1	1	1	K35001-
56	IK-2021-B	WASHER, Special Adjustable Relief Valve Crush	1	1	1	K35001-

SECTION X  
OPTIONAL EQUIPMENT

77 PARTS BOOK

HYDRA-ELECTRIC AND HYDRAULIC BASIC UNIT

Ref. No.	Part Number	Description	Hydra-Electric		Hydraulic		Unit Serial Number
			2 Cyl. 11 Cyl.	1 Cyl.	2 Cyl. 1 Cyl.	1 Cyl.	
57	IK-2022	SPRING, Relief Valve	1	1	1	1	K35001-
58	IK-2023-B	SEAT, Relief Valve	1	1	1	1	K35001-
59	IKS-2024-B	VALVE Assembly, Thermal Relief	2	1	2	1	K35001-
60	IK-2026	PACKING, 3/32 x 5/8 "0" Ring (In Base Plate)	8	4	8	4	K35001-
61	IK-2028	PACKING, 1/8 x 3/4 "0" Ring	4	2	4	2	K35001-
62	IK-2029	PACKING, Special Adjustable Relief Valve "0" Ring (3/32 x 1/2 ID)	1	1	1	1	K35001-
63	IK-2030-A	SNAP RING, Selector Valve Spool (Small)	2	1	2	1	K35001-
64	IK-2030-B	SNAP RING, Selector Valve Body (Large)	2	1	2	1	K35001-
65	IK-2031-B	RING, External Retaining	2	1	2	1	K35001-
66	IKS-2032-D	FRAME And Top Plate Assembly, Solenoid And Switch - RH (Included in IKS-A-2032-D)	1	1	1	1	K35001-
66	IKS-2032-E	FRAME And Top Plate Assembly, Solenoid And Switch - LH (Included in IKS-A-2032-E)	1	1	1	1	K35001-
67	IKSA-2032-D	SOLENOID And Switch Assembly - RH (For breakdown see parts starting with IKS-2317-A)	1	1	1	1	K35001-
67	IKSA-2032-E	SOLENOID And Switch Assembly - LH (For breakdown see parts starting with IKS-2317-A)	1	1	1	1	K35001-
68	IK-2033-B	SPRING, Control Valve Centering	2	1	2	1	K35001-
69	IK-2034-A	WASHER, Valve Spool	4	2	4	2	K35001-
70	IK-2035-D	LEVER, Control Operating - RH	1	1	1	1	K35001-
71	IK-2035-E	LEVER, Control Operating - LH	1	1	1	1	K35001-
72	IK-2036-A	JOINT, Ball Socket - Threaded	2	1	2	1	K35001-
73		915083 Nut, 1/4 - 28 Hex Jam	2	1	2	1	K35001-
74	IKA-2041	SHAFT, Pump Drive (Not required on tractors with Power Take-Off)	1	1	1	1	K35001-
75	IK-2042-A	PLATE, Pump Front	1	1	1	1	K35001-
76		S-1922 Plug, 1/4 Hdless Pipe	1	1	1	1	K35001-
77	IK-2043-B	PLATE, Pump Center	1	1	1	1	K35001-
78	IKSB-2043-B	PUMP Assembly	1	1	1	1	K35001-
79	IK-2044	PLATE, Pump Rear	1	1	1	1	K35001-
80	IK-2045-A	DOWEL, Pump Housing	2	2	2	2	K35001-
81	IKS-2046-B	GEAR And Shaft Assembly, Pump Idler	1	1	1	1	K35001-
82	IKS-2049-B	GEAR And Sleeve Assembly, Pump Drive	1	1	1	1	K35001-
83	IK-2052	SNAP RING, Pump (Not required on tractors with Power Take-Off)	1	1	1	1	K35001-
84	IK-2053	SEAL, Pump Oil	4	4	4	4	K35001-
85	IK-2055	PACKING, 3/32 x 11/16 "0" Ring	5	3	5	3	K35001-
86	IK-2056-A	CAP SCREW, 3/8 x 2-1/8 Drilled Head	9	9	9	9	K35001-
87	IK-2056-B	CAP SCREW, 3/8 x 2-3/4 Drilled Head	1	1	1	1	K35001-
88	IK-2060-A	BOOT, Control Lever	2	1	2	1	K35001-
89	IK-2079	SHIM, Relief Valve Adjusting	Req.	Req.	Req.	Req.	K35001-

## HYDRA-ELECTRIC AND HYDRAULIC BASIC UNIT

Ref. No.	Part Number	Description	Hydr-Electric 2 Cyl.   1 Cyl.	Hydraulic 2 Cyl.   1 Cyl.	Unit Serial Number
90	1K-2088	SPRING, Control Lever	2	2	K35001-
91	1K-2105-A	RESTRICTOR, Special Adjustable Relief Valve S-1363 Pin, 3/16 x 1-1/2 Roll	1	1	K35001-
92		S-1378 Pin, 3/32 x 3/8 Roll	1	1	K35001-
93			1	1	K35001-
94	1K-2134-A	KNOB, Control Operating Lever	2	2	K35001-
95	1K-2137	PLATE, Valve Interlock End - Front 908300 Cap Screw, 1/4 - 20 x 5/8 Hex Hd 920081 Lock Washer, 1/4	2	2	K35001-
96			8	8	K35001-
97			4	4	K35001-
98	1K-2137-A	PLATE, Valve Interlock End - Rear 908820 Screw, 1/4 - 20 x 5/8 Mach	2	2	K35001-
99			8	8	K35001-
100	1K-2156	PLATE, Control Lever Boot Hold Down 908300 Cap Screw, 1/4 - 20 x 5/8 Hex Hd 920081 Lock Washer, 1/4	2	2	K35001-
101			4	4	K35001-
102			4	4	K35001-
103	1K-2156-A	COVER, Control Lever Opening 908300 Cap Screw, 1/4 - 20 x 5/8 Hex Hd 920081 Lock Washer, 1/4	1	1	K35001-
104			2	2	K35001-
105			2	2	K35001-
106	1K-2156-B	GASKET, Control Lever Opening Cover	1	1	K35001-
107	1K-2157-A	COVER, Wiring Harness Connector Opening S-3161 Cap Screw, No. 10 - 24 x 5/8 Hex Hd 920079 Lock Washer, No. 10	2	2	K35001-
108			4	4	K35001-
109			4	4	K35001-
110	1K-2157-B	GASKET, Wiring Harness Connector Opening Cover	2	2	K35001-
111	1K-2158-A	RAIL, Solenoid - RH S-1371 Pin, 5/16 x 1-3/4 Roll	1	1	K35001-
112		S-1384 Pin, 1/8 x 3/4 Roll	1	1	K35001-
113			2	2	K35001-
114	1K-2158-B	RAIL, Solenoid - LH S-1371 Pin, 5/16 x 1-3/4 Roll S-1384 Pin, 1/8 x 3/4 Roll	1	1	K35001-
115	1K-2158-E	PACKING, 1/8 x 1-1/8 "O" Ring (Pump to Base Plate)	1	1	K35001-
116	1KS-2317-A	SWITCH And Covers Assembly, Solenoid And Switch - RH (Included in 1KSA-2032-D) S-2539 Screw, No. 10 - 32 x 1-1/2 Mtrch	1	1	K35001-
117	1KS-2317-B	SWITCH And Covers Assembly, Solenoid and Switch - LH (Included in 1KSA-2032-E) S-2539 Screw, No. 10 - 32 x 1-1/2 Mach	1	1	K35001-
118	1K-2318	LEVER, Solenoid and Switch - RH (Included in 1KSA-2032-D)	1	1	K35001-
119	1K-2319	LEVER, Solenoid And Switch - LH (Included in 1KSA-2032-E)	1	1	K35001-
120	1K-2320	SPRING, Solenoid and Switch Lever (Included in 1KSA-2032-D and 1KSA-2032-E)	2	2	K35001-
121	1KS-2321	COIL Assembly, Solenoid and Switch (Included in 1KSA-2032-D and 1KSA-2032-E)	2	2	K35001-
122	1K-2322	PLUNGER, Solenoid and Switch (Included in 1KSA-2032-D and 1KSA-2032-E)	2	2	K35001-
123	1KS-5041	BEARING, Pump Drive Sleeve Needle	2	2	K35001-
124	1KS-5042	BEARING, Pump Idler Shaft Needle	2	2	K35001-
125	1LA-5351	CARTRIDGE, Oil Filtering	1	1	K35001-
126	1K-5353-A	BODY, Oil Filter	1	1	K35001-
127	1L-5356	GASKET, Oil Filter	1	1	K35001-

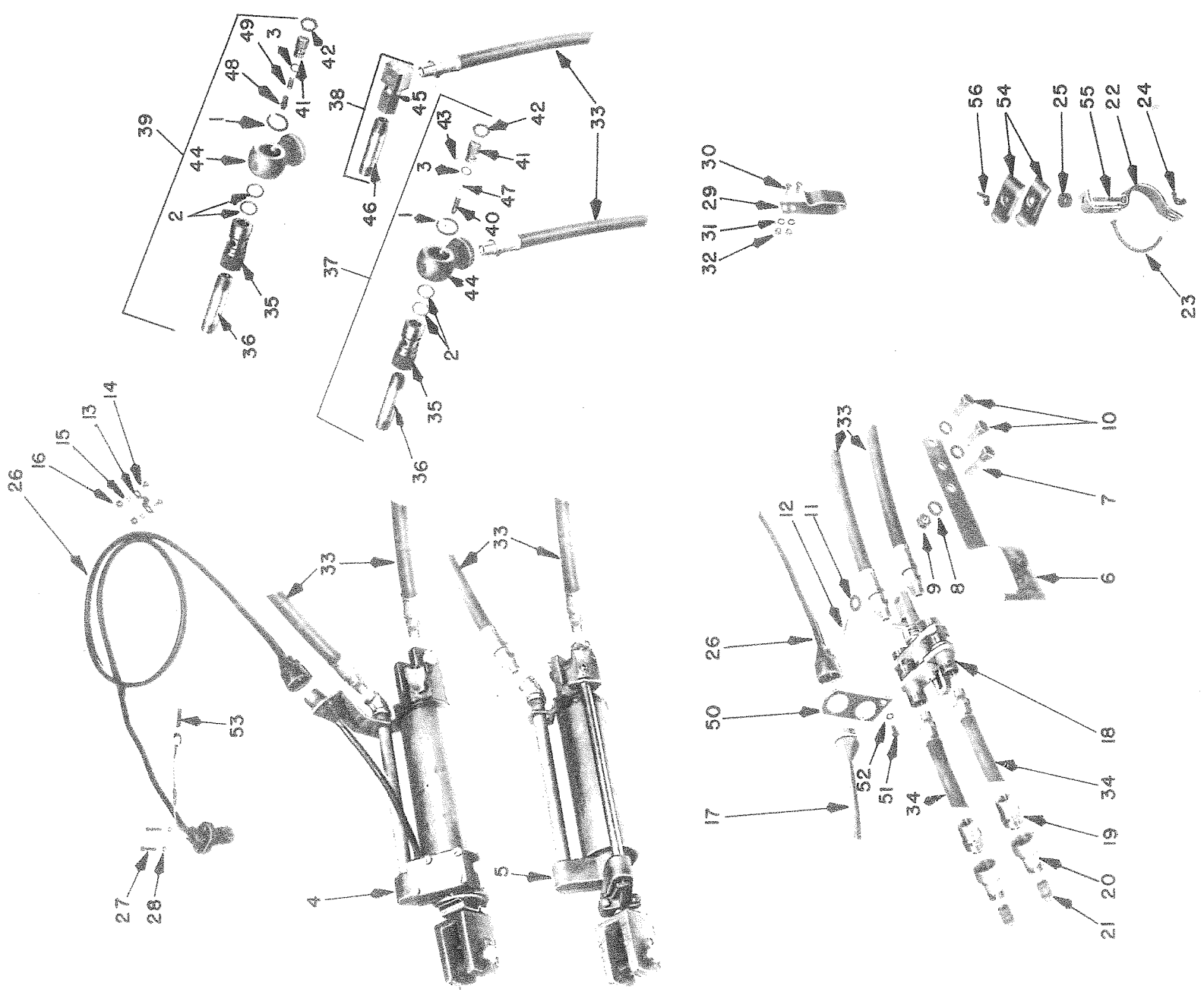
SECTION X  
OPTIONAL EQUIPMENT

77 PARTS BOOK

HYDRA-ELECTRIC AND HYDRAULIC BASIC UNIT

Ref. No.	Part Number	Description	Hydro-Electric 2 Cyl.   1 Cyl.	Hydraulic 2 Cyl.   1 Cyl.	Unit Serial Number
126	1K-5361-A	SPRING, Oil Filter	1	1	K35001-
127	1K-5362-A	RETAINER, Oil Filter Spring	1	1	K35001-
128	1K-A-5363-A	CAP SCREW, Oil Filter	1	1	K35001-
129	1K-5364	GASKET, Oil Filter Cap Screw	1	1	K35001-
130	1L-5365	GASKET, Oil Filtering Cartridge - Top	1	1	K35001-
131	1K-5366	GASKET, Oil Filtering Cartridge - Bottom	1	1	K35001-

HYDRA-ELECTRIC AND HYDRAULIC CYLINDERS AND HOSE CONNECTIONS



SECTION X  
OPTIONAL EQUIPMENT

77 PARTS BOOK

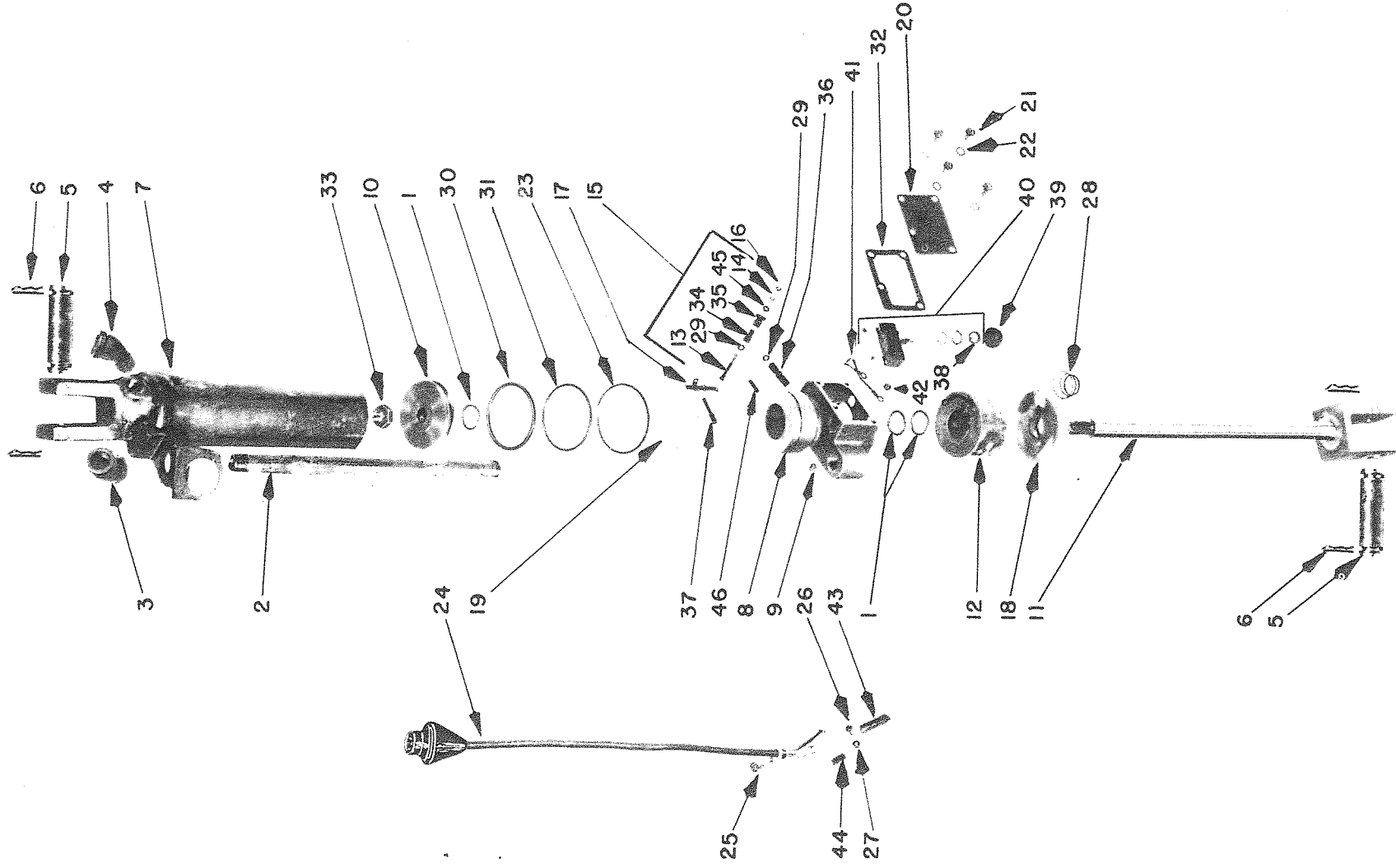
HYDRA-ELECTRIC AND HYDRAULIC CYLINDERS AND HOSE CONNECTIONS

Ref. No.	Part Number	Description	Hydra-Lectric 2 Cyl.   1 Cyl.	Hydraulic 2 Cyl.   1 Cyl.	Tractor Serial Number
1	IL-1080	SNAP RING, Restrictor Swivel	2	2	6503-
2	IK-2027	PACKING, 1/8 x 7/8 "0" Ring	4	4	6503-
3	IK-2029	PACKING, 3/32 x 1/2 "0" Ring	2	2	6503-
4	IKSA-2061-K	CYLINDER, Pins And Fittings, Hydra-Lectric	2	2	6503-
5	IKSA-2061-L	CYLINDER, Pins and Fittings, Hydraulic			6503-
6	IKS-2066-B	BRACKET Assembly, Remote Coupling (For Drawn Implements)	1	1	6503-
7		908535 Cap Screw, 5/8 - 18 x 2 Hex Hd	1	1	
8		920087 Lock Washer, 5/8	3	3	
9		915006 Nut, 5/8 - 18 Hex	1	1	
10		908385 Cap Screw, 5/8 - 11 x 1-3/4 Hex Hd	2	2	
11		920011 Washer, 1/2 Plain	1	1	
12		932017 Cotter Pin, 1/8 x 1	1	1	
13	IK-2067	FASTENER, Hydra-Lectric Wiring Harness	2		6503-
14		909052 Screw, 1/4 - 20 x 1/2 Mach	4		
15		920081 Lock Washer, 1/4	4		
16		915111 Nut, 1/4 - 20 Hex	4		
17	IKS-2075-D	CABLE, Remote Control Cylinder (For Drawn Implements)	1		6503-
18	IKAS-2076-C	COUPLING Assembly, Breakaway (For Drawn Implements)	1	1	6503-
19	IKS-2076-D	COUPLING HALF, Self Sealing - Threaded (For Drawn Implements)	2	2	6503-
20	IKS-2076-E	COUPLING HALF With Nut, Self Sealing (For Drawn Implements)	2	2	6503-
21		S-1945 Nipple, 1/2 x 1-1/2 Pipe	2	2	
22	IK-2084	BRACKET, Hose Clamp	2	2	6503-
23	IK-2085	BOLT, Hose Clamp Bracket	2	2	6503-
24		915585 Nut, 5/16 - 18 Wing	2	2	
25	IK-2086	SPACER, Hose Clamp	2	2	6503-
26	IKS-2091-G	HARNES, Hydra-Lectric Wiring	2		6503-
27		S-3159 Cap Screw, No. 10 - 24 x 7/8 Hex Socket Hd	4		
28		920079 Lock Washer, No. 10	4		
29	IK-2092	SUPPORT, Remote Hose	1	1	6503-
30		909055 Screw, 1/4 - 20 x 3/4 Mach	2	2	
31		920081 Lock Washer, 1/4	2	2	
32		915111 Nut, 1/4 - 20 Hex	2	2	
33	IK-2093-A	HOSE Assembly - 48" Long	4	4	6503-
34	IK-2094	HOSE Assembly - 84" Long (For Drawn Implements)	2	2	6503-
35	IK-2104-A	BODY, Restrictor	2	2	6503-
36		S-1680 Nipple, 1/2 x 3-1/2 Pipe	2	2	
37	IKS-2104-A	SWIVEL Assembly, Restrictor	2	2	6503-
38	IKSA-2104-A	SWIVEL Assembly, Elbow	2	2	6503-
39	IKSB-2104-A	SWIVEL Assembly, Momentary Restrictor (Painted Yellow) (For use with front end loaders with single acting cylinders)	2	2	6503-
40	IK-2105	PLUNGER, Restrictor	2	2	6503-
41	IK-2106	GUIDE, Restrictor	2	2	6503-
42		S-894 Padnut, 3/4 - 20	2	2	
43		S-1377 Groov-Pin, 1/8 x 5/8	2	2	

## HYDRA-ELECTRIC AND HYDRAULIC CYLINDERS AND HOSE CONNECTIONS

Ref. No.	Part Number	Description	Hydra-Electric 2 Cyl.   1 Cyl.	Hydraulic 2 Cyl.   1 Cyl.	Tractor Serial Number
44	1K-A-2107	SWIVEL, Restrictor	2   1	2   1	6503-
45	1K-2107-A	SWIVEL, Elbow	2   1	2   1	6503-
46		S-1680 Nipple, 1/2 x 3-1/2 Pipe	2   1	2   1	
47	1K-2109	SPRING, Restrictor	2   1	2   1	6503-
48	1K-2114	PLUNGER, Momentary Restrictor (For use with front end loaders with single acting cylinders)	2   1	2   1	6503-
49	1K-2115	SPRING, Momentary Restrictor (For use with front end loaders with single acting cylinders)	2   1	2   1	6503-
50	1K-2167-B	BRACKET, Remote Cable (For drawn implements)	1		6503-
51		908449 Cap Screw, 1/4-28 x 5/8 Hex Hd	1		
52		920081 Lock Washer, 1/4	1		
53	1B-7371	FUSE, Hydra-Electric	2   1		6503-
54	1EP-7868	CLAMP, Hose	4   2	4   2	6503-
55		908321 Cap Screw, 5/16-18 x 2 Hex Hd	2   1	2   1	
56		915585 Nut, 5/16-18 Wing	2   1	2   1	

HYDRA-ELECTRIC CYLINDER





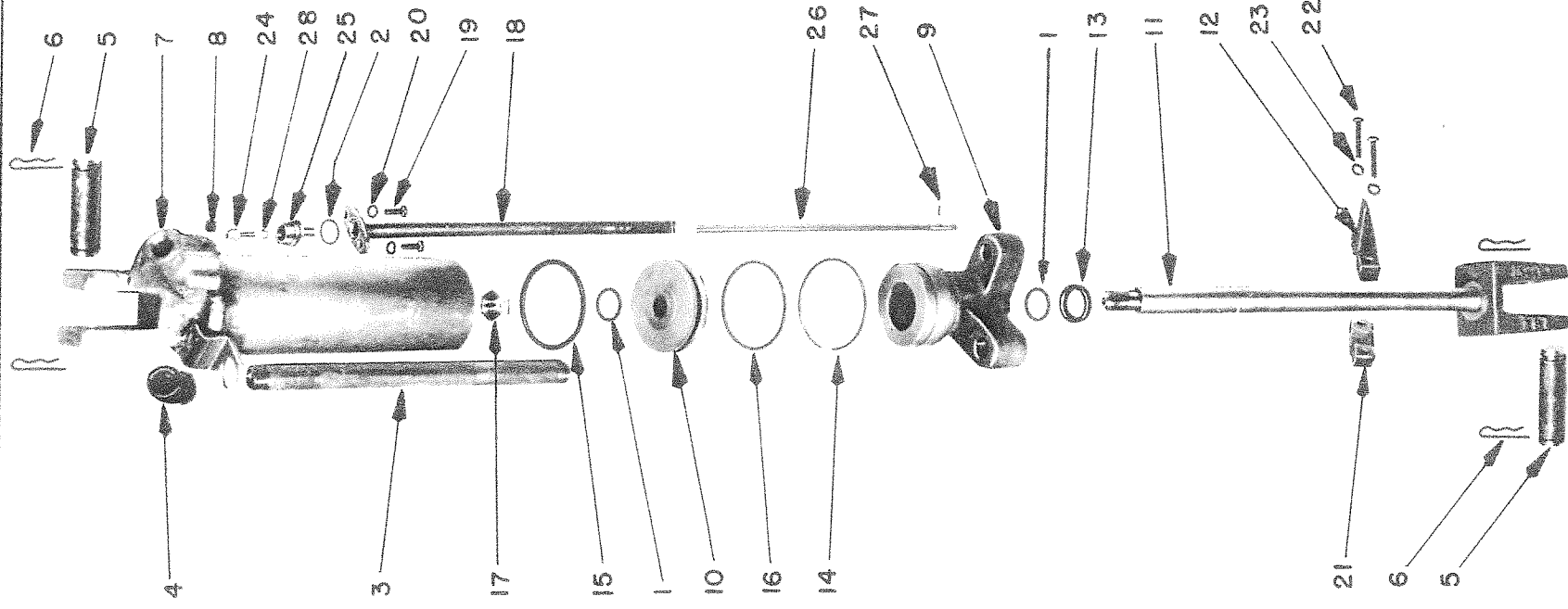
## HYDRA-ELECTRIC CYLINDER

Ref. No.	Part Number	Description	Hydra-Electric 2 Cyl. 1 Cyl.	Tractor Serial Number
	IKSA-2061-K	CYLINDER, Pins And Fittings Assembly, Hydra-Electric	2	6503-
Ref. No.	Part Number	Breakdown For One Cylinder Assembly		
1	IK-2027	PACKING, 1/8 x 7/8 "0" Ring		3
2	IK-2058	PIPE		1
3	IKS-2061-K	CYLINDER Assembly (Order IKS A-2061-K)		1
4		S-1943 Elbow, 1/2 x 45° Mdl		1
5		S-1944 Elbow, 1/2 x 45° Mdl Street		1
6	IK-2071	PIN, Mounting		2
7	IK-2072	CLIP, Mounting Pin		4
8	IKS-2201-G	BARREL Assembly		1
9	IK-2202-A	HEAD		1
10		S-1184 Set Screw, 1/4 - 20 x 1/4 Cup Pt Socket Hd		1
11	IK-2203	PISTON		2
12	IKS-2204	ROD Assembly, Piston		1
13	IKS-2205-A	SOLENOID Assembly		1
14	IKS-2207-B	TERMINAL		1
15		S-897 Nut, No. 4 - 40 Mach Screw Hex		1
16	IKSA-2207-B	TERMINAL Assembly, Stud		1
17		S-897 Nut, No. 4 - 40 Mach Screw Hex		1
18	IKS-2209-A	ARM Assembly, Contact		1
19	IKS-2210-C	STOP Assembly		1
20	IK-2211	SPRING, Contact Arm		1
21	IK-2213-A	COVER		1
22		S-2575 Screw, 1/4 - 20 x 1/2 Blind Hd Mach		4
23		S-292 Lock Washer, 1/4 External Tooth		4
24	IK-2219	SNAP RING, Head		1
25	IKS-2221-D	CABLE Assembly		1
26		S-2575 Screw, 1/4 - 20 x 1/2 Blind Hd Mach		1
27		S-2574 Screw, No. 6 - 32 x 3/16 Blind Hd Mach		1
28		S-899 Nut, No. 6 - 32 Hex		1
29	IK-2223-A	SPRING, Stop		1
30	IK-2226-A	PACKING, 1/16 x 1/8 "0" Ring		2
31	IK-2227	PACKING, 3/16 x 2-5/8 "0" Ring		1
32	IK-2228	GASKET, 1/8 x 2-3/4 ID "0" Ring		1
33	IK-2229-A	GASKET, Cover		1
34	IK-2231	NUT, Piston Lock		1
35	IK-2233-A	INSULATOR, Terminal		1
36	IK-2236	SLEEVE, Terminal		1
37	IK-2237	PIVOT, Contact Arm - Outer		1
38	IK-2238	PIVOT, Contact Arm - Inner		1

## HYDRA-ELECTRIC CYLINDER

Ref. No.	Part Number	Breakdown For One Cylinder Assembly	No. Req.
38	IK-2239	NUT, Micro Switch	1
39	IK-2240-A	BOOT, Micro Switch	1
40	IKSA-2241	SWITCH Assembly, Micro	1
41	IK-2242	WIRE, Jumper	1
42		S-2587 Screw, No. 6 - 32 x 5/16 Rd Slotted Hd Sems	1
43	IKA-2243	TUBING, Plastic - 1-1/2" Long	1
44	IK-2243-A	TUBING, Plastic - 5/8" Long	1
45	IK-2244	WASHER	1
46	IK-2247	PIN, Stud Locking Nylon	1

HYDRAULIC CYLINDER



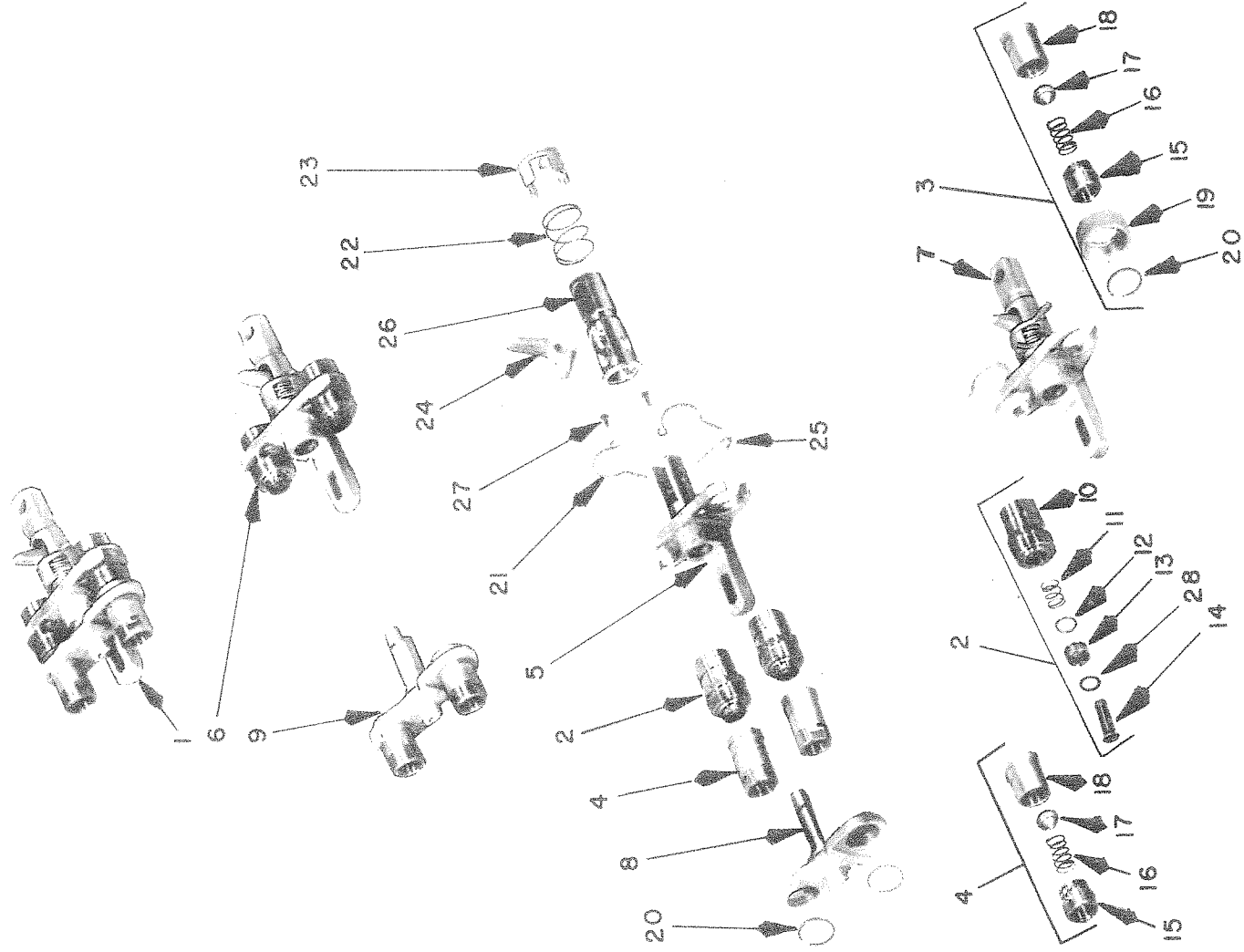
SECTION X  
OPTIONAL EQUIPMENT

77 PARTS BOOK

HYDRAULIC CYLINDER

Ref. No.	Part Number	Description	Hydraulic 2 Cyl. 1 Cyl.	Tractor Serial Number
	1KSA-206 1-L	CYLINDER, Pins And Fittings, Hydraulic	2	6503-
Ref. No.	Part Number	Breakdown For One Cylinder Assembly		
1	1K-2027	PACKING, 1/8 x 7/8 "0" Ring		2
2	1K-2055	PACKING, 3/32 x 1 1/16 "0" Ring		1
3	1K-2058	PIPE		1
4	1KS-206 1-L	CYLINDER Assembly (Order 1KSA-206 1-L.) S-1943 Elbow, 1/2 x 45°		1
5	1K-2071	PIN, Mounting		1
6	1K-2072	CLIP, Mounting Pin		2
7	1KS-220 1-F	BARREL Assembly		4
8		S-1931 Plug, 1/8 Ctsk Hd Pipe		1
9	1K-220 2-E	HEAD		1
10	1K-2203	PISTON		1
11	1KS-2204	ROD Assembly, Piston		1
12	1K-2210-D	STOP, Rod		1
13	1K-2212	SEAL, Piston Rod		1
14	1K-2219	SNAP RING, Head		1
15	1K-2227	PACKING, 3/16 x 2-5/8 "0" Ring		1
16	1K-2228	GASKET, 1/8 x 2-3/4 ID "0" Ring		1
17	1K-2231	NUT, Piston Lock		1
18		TUBE Assembly, Depth Stop Push Rod		1
19	1KS-225 2-A	908300 Cap Screw, 1/4 - 20 x 5/8 Hex Hd		2
20		920081 Lock Washer, 1/4		2
21		CAP, Rod Stop		1
22		909059 Screw, 1/4 - 20 x 1-1/4 Hd Hd Mach		2
23		920154 Lock Washer, 1/4 Internal Tooth		2
24	1KA-2255	POPPET, Depth Stop		1
25	1KAS-2256	RETAINER Assembly, Depth Stop Push Rod		1
26		ROD, Depth Stop Push		1
27	1K-2258-B	S-1378 Pin, 3/32 x 3/8 Roll		1
28	1K-2261	PACKING, 1/16 x 3/16 "0" Ring		1

HYDRA-ELECTRIC AND HYDRAULIC BREAKAWAY COUPLING



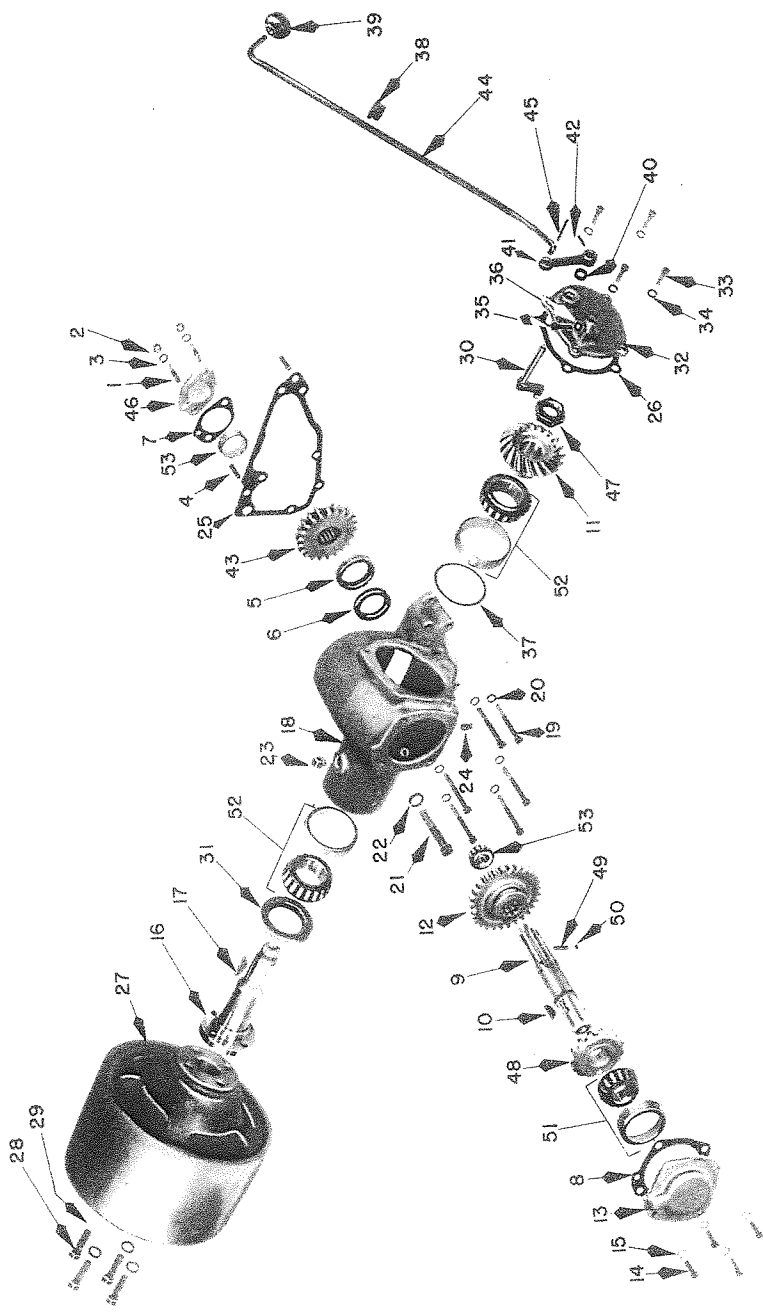
SECTION X  
OPTIONAL EQUIPMENT

## 77 PARTS BOOK

## HYDRA-ELECTRIC AND HYDRAULIC BREAKAWAY COUPLING

Ref. No.	Part Number	Description	Drawn Impliment
1	IKAS-2076-C	COUPLING Assembly, Breakaway	1
	IKSR-2076-C	REPAIR Package, Breakaway Coupling	1
2	IKS-2076-D	COUPLING HALF, Self Sealing - Threaded (2 Included in IKAS-2076-C)	4
3	IKS-2076-E	COUPLING HALF With Nut, Self Sealing	2
4	IKSA-2076-E	COUPLING HALF, Self Sealing - Less Nut and Snap Ring	2
5	IK-2361	FRAME, Breakaway - Latch Half (Order IKSB-2361)	1
6	IKS-2361	FRAME, Latch And Coupling Sub Assembly, Breakaway	1
7	IKSA-2361	FRAME And Latch Sub Assembly, Breakaway	1
	IKSB-2361	FRAME And Hinge Snap Ring Assembly, Breakaway (Includes Ref. No. 5, 21 and 27)	1
8	IKA-2362	FRAME, Breakaway	1
9	IKAS-2362	FRAME Sub Assembly, Breakaway	1
10	IK-2363	BODY, Self Sealing Coupling - Threaded	4
11	IK-2364	SPRING, Self Sealing Coupling (In IK-2076-D)	4
12	IK-2365	RING, Self Sealing Coupling "10"	4
13	IKA-2366	SLEEVE, Self Sealing Coupling (Includes IK-2381 Washer)	4
14	IK-2367	VALVE, Self Sealing Coupling Tubular	4
15	IK-2368	ADAPTER, Self Sealing Coupling	4
16	IK-2369	SPRING, Self Sealing Coupling (In IKA-2076-E)	4
17	IK-2370	VALVE, Self Sealing Coupling Poppet	4
18	IK-2371	BODY, Self Sealing Coupling	4
19	IK-2372	NUT, Self Sealing Coupling Union	2
20	IK-2373	SNAP RING, Self Sealing Coupling	4
21	IK-2374	SNAP RING, Hinge	2
22	IK-2375	SPRING, Breakaway	1
23	IK-2376	COVER, Breakaway Coupling	1
24	IK-2377	LATCH, Breakaway	1
25	IK-2378	PIN, Breakaway Latch	1
26	IK-2379	BAR, Breakaway Draw	1
27	IK-2380	PIN, Hinge	2
28	IK-2381	WASHER, Self Sealing Coupling Rubber	4
	IK-2382	CAP, Coupling Dust	Req.

## BELT PULLEY



Ref. No.	Part Number	Description	No. Req.	Row Crop Serial Number	Standard Serial Number	Industrial Serial Number
1	1A-398	STUD, Drive Bearing Cover (3/8 x 1-1/2)	2	320001-	269001-	403001-
2		915002 Nut, 3/8 - 24 Hex	2			
3		920083 Lock Washer, 3/8	2			
4	1B-597	DOWEL PIN, Carrier	2	320001-	269001-	403001-
5	1K-620	OIL SEAL, Input Shaft Front Bearing	1	320001-	269001-	403001-
6	1K-620-A	WASHER, Input Shaft Front Bearing Felt	1	320001-	269001-	403001-
7	1H-637	SHIM, Drive Rear Bearing (.007")	Req.	320001-	269001-	403001-
7	1H-638	SHIM, Drive Rear Bearing (.0156")	Req.	320001-	269001-	403001-
7	1H-639	SHIM, Drive Rear Bearing (.004")	Req.	320001-	269001-	403001-
8	1K-664	SHIM, Drive Shaft Front Bearing (.007")	Req.	320001-	269001-	403001-
8	1K-665	SHIM, Drive Shaft Front Bearing (.0149")	Req.	320001-	269001-	403001-
8	1K-666	SHIM, Drive Shaft Front Bearing (.004")	Req.	320001-	269001-	403001-
9	1K-668	SHAFT, Drive 9370 26 Key, 1/4 x 1-1/8 Woodruff	1	320001-	269001-	403001-
10		GEAR, Drive Bevel (19 Teeth)	1	320001-	269001-	403001-
11	1KSP-669	GEAR SET Package, Bevel Gear And Bevel Pinion Matched	1	320001-	269001-	403001-
12	1K-670	GEAR, Drive Siding (28 Teeth)	1	320001-	269001-	403001-
13	1K-674	CAGE, Drive Shaft Front Bearing	1	320001-	269001-	403001-
14		S-3071 Cap Screw, 3/8 - 16 x 1-1/8 Hex Hd	4	320001-	269001-	403001-
15		920083 Lock Washer, 3/8	4	320001-	269001-	403001-

SECTION X  
OPTIONAL EQUIPMENT

77 PARTS BOOK

BELT PULLEY

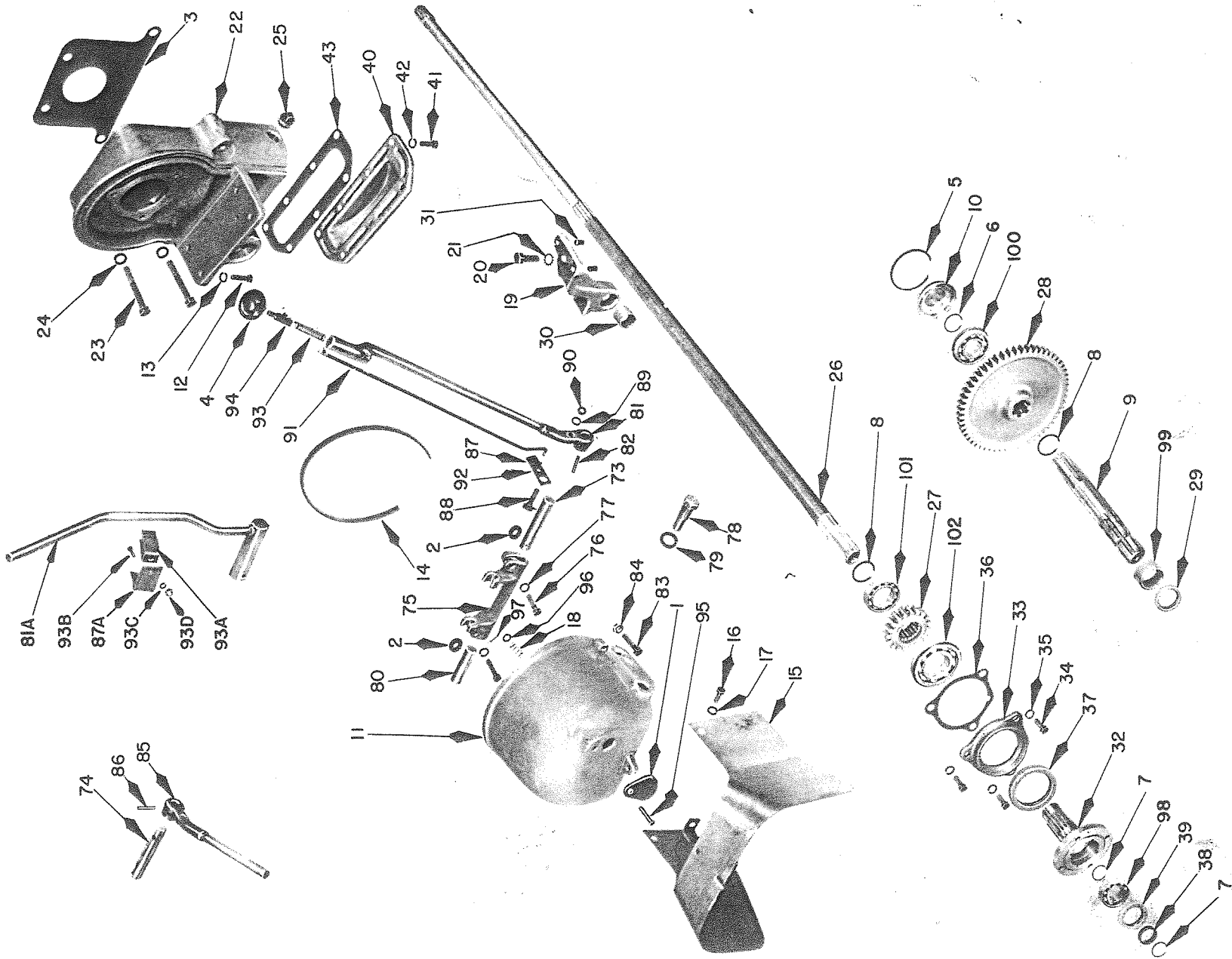
Ref. No.	Part Number	Description	No. Req.	Row Crop Serial Number	Standard Serial Number	Industrial Serial Number
16	1K-678-A	SHAFT, Pulley 937041 Key, 1/4 x 1-23/32 Woodruff	1	320001-	269001-	403001-
17	1K-680	CARRIER (Order 1KS-680)	1	320001-	269001-	403001-
18	1KS-680	CARRIER With Oil Seal 908340 Cap Screw, 3/8 - 16 x 3 Hex Hd 920083 Lock Washer, 3/8 S-3126 Cap Screw, 5/8 - 11 x 3-1/4 Hex Hd 920087 Lock Washer, 5/8 S-1900 Plug, 1/2 Std Pipe S-1904 Plug, 1/4 Std Pipe	1 6 1 1 1 1	320001-	269001-	403001-
19	1K-686	GASKET, Carrier	1	320001-	269001-	403001-
20	1K-690	GASKET, Carrier Cover	1	320001-	269001-	403001-
21	1K-691-A	PULLEY, Belt (11-7/8" Dia., 7-1/4" Face) 908524 Cap Screw, 9/16 - 18 x 1-3/4 Hex Hd 920086 Lock Washer, 9/16	1 4 4	320001-	269001-	403001-
22	1K-692	ARM, Shifter	1	320001-	269001-	403001-
23	1K-693	OIL SEAL, Shaft	1	320001-	269001-	403001-
24	1KS-694-A	COVER Assembly 908332 Cap Screw, 3/8 - 16 x 1 Hex Hd 920083 Lock Washer, 3/8 908333 Cap Screw, 3/8 - 16 x 1-1/4 Hex Hd 915236 Nut, 3/8 - 16 Hex Jam	1 4 4 1	320001-	269001-	403001-
25	1K-695	SHIM, Shaft Bearing (.004")	Req.	320001-	269001-	403001-
26	1K-696	SHIM, Shaft Bearing (.007")	Req.	320001-	269001-	403001-
27	1K-848	GROMMET, Rubber	1	320001-	269001-	403001-
28	1K-848-A	GROMMET, Rubber	1	320001-344801	269001-273125	403001-403240
29	1B-909-A	KNOB, Shifter Lever	1	344802-	273126-	403241-
30	1K-930	SEAL, Drive Shifter Arm	1	320001-344801	269001-273125	403001-403240
31	1KA-931	LEVER, Shifter 932304 Groov-Pin, 3/16 x 1	1 1	320001-	269001-	403001-
32	1K-932	FORK, Shifter Rod (Used With 1K-1025)	1	320001-325600	269001-270565	403001-403185
33	1K-933	PIN, Shifter 932008 Cotter Pin, 3/32 x 3/4	1 1	320001-325600	269001-270565	403001-403185
34	1K-1004	GEAR, Drive Stationary (22 Teeth)	1	320001-	269001-	403001-
35	1K-1025	ROD, Pulley Shifter (Order 1K-1025-B & 932019) 915003 Nut, 7/16 - 20 Hex	1 1	320001-325600	269001-270565	403001-403185
36	1K-1025-A	ROD, Shifter (Order 1K-1025-B & 932019) 932008 Cotter Pin, 3/32 x 3/4	1 1	325601-331053	270566-271409	403186-403240
37	1K-1025-B	ROD, Shifter 932019 Cotter Pin, 1/8 x 1-1/2	1 1	331054-344801	271410-273125	403241-
38	1K-1025-C	ROD, Shifter 932017 Cotter Pin, 1/8 x 1	1 1	344802-	273126-	403241-
39	1H-1029-B	COVER, Drive Bearing	1	320001-	269001-	403001-
40	1K-1038	NUT, Shaft Bevel Gear	1	320001-	269001-	403001-
41	1K-1066	PINION, Drive Bevel (15 Teeth)	1	320001-	269001-	403001-
42	1H-1574	SPRING, Drive Sliding Gear Poppet S-2454 Ball, 5/16 Dia Hardened Steel	1 1	320001-	269001-	403001-



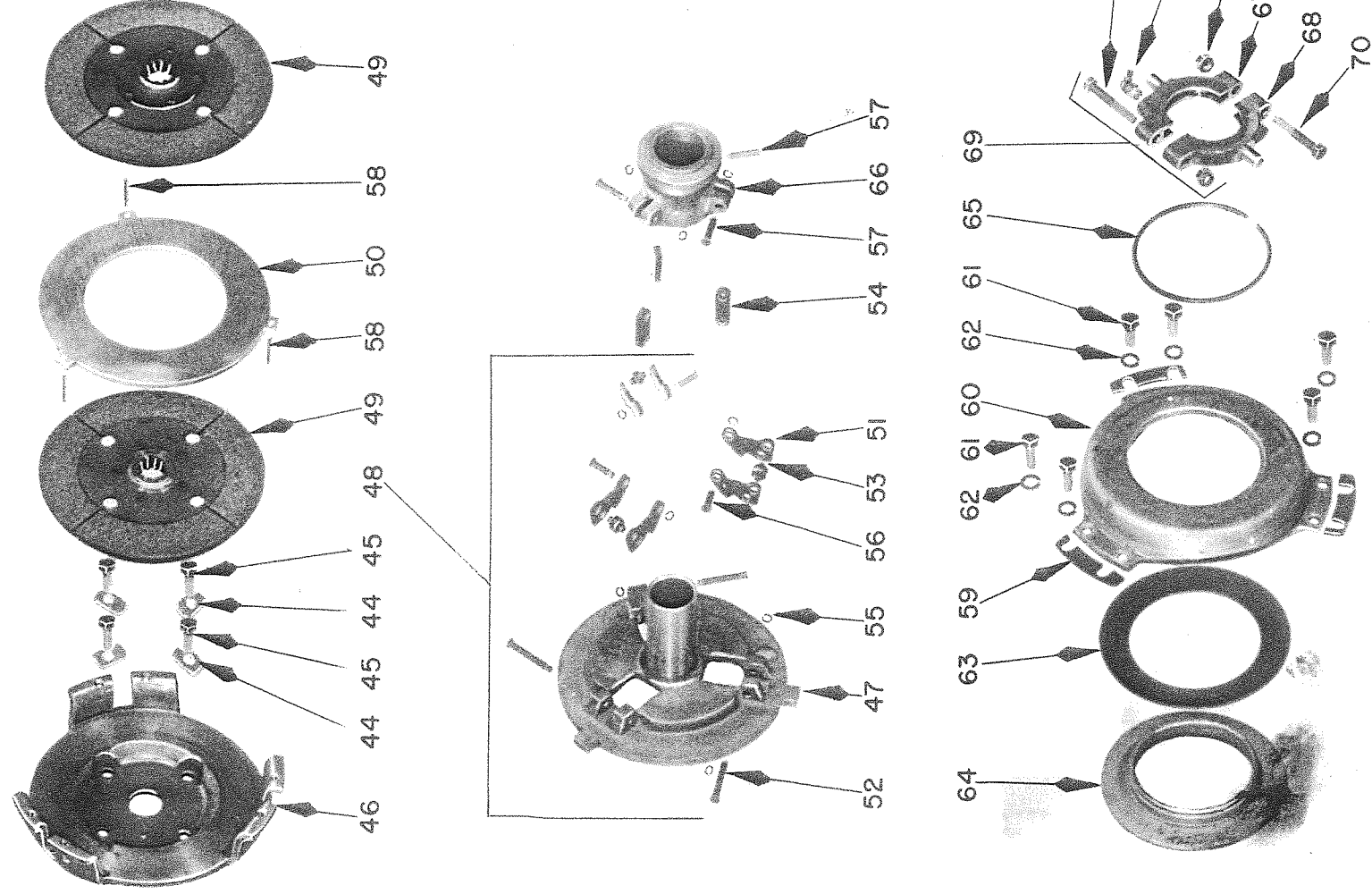
## BELT PULLEY

Ref. No.	Part Number	Description	No. Req.	Flow Chop Serial Number	Standard Serial Number	Industrial Serial Number
51	1BS-5008-B	BEARING, Drive Shaft - Front (Timken 31594-31520)	1	320001-	269001-	403001-
52	1KS-5008	BEARING, Shaft (Timken 33890-33821)	2	320001-	269001-	403001-
53	1HS-5026	BEARING, Drive Shaft - Rear (Timken 12580-12520)	1	320001-	269001-	403001-

POWER TAKE-OFF



POWER TAKE-OFF



**SECTION X  
OPTIONAL EQUIPMENT**

**77 PARTS BOOK**

**POWER TAKE-OFF**

Ref. No.	Part Number	Description	No. Req.	Row Crop Ser. cl. Number	Standard Ser. cl. Number	Industrial Ser. cl. Number
1	1B-473-A	COVER, Grease Hole	1	320001-	269001-	403001-
2	1B-583	KEY, Clutch Release Fork (1 used Row Crop 320001-325600) (1 used Standard 269001-270565) (1 used Industrial 403001-403185)	2	320001-	269001-	403001-
3	1K-635-A	GASKET, Housing	1	320001-	269001-	403001-
4	1B-909-A	KNOB, Shift Lever	1	320001-	269001-	403001-
5	1B-1071	SNAP RING, Shaft Front Bearing Retainer	1	320001-	269001-	403001-
6	1L-1072	SNAP RING, Shaft Front Bearing	1	320001-	269001-	403001-
7	1B-1073	SNAP RING, Drive Shaft	2	320001-	269001-	403001-
8	1L-1075	SNAP RING, Clutch Mounting Sleeve and Power Take-Off Shaft - Rear	2	320001-	269001-	403001-
9	1K-1200	SHAFT, Power Take-Off	1	320001-	269001-	403001-
10	1K-1204	COVER, Front Bearing	1	320001-	269001-	403001-
11	1K-1205	COVER S-3071 Cap Screw, 3/8 - 16 x 1-1/8 Hex Hd 920083 Lock Washer, 3/8	1 4 4	320001-325600	269001-270565	403001-403185
11	1K-1205-A	COVER S-3071 Cap Screw, 3/8 - 16 x 1-1/8 Hex Hd 920083 Lock Washer, 3/8	1 4 4	325601-3502149	270566-3502149	403186-3502149
12						
13						
11	1K-1205-B	COVER S-3071 Cap Screw, 3/8 - 16 x 1-1/8 Hex Hd 920083 Lock Washer, 3/8	1 4 4	3502150-	3502150-	3502150-
12						
13						
14	1K-1206	SEAL, Cover	1	320001-	269001-	403001-
15	1KS-1208	SHIELD 908330 Cap Screw, 3/8 - 16 x 3/4 Hex Hd 920083 Lock Washer, 3/8	1 5 5	320001-	269001-	403001-
16						
17						
18	1B-1381-A	SPRING, Grease Hole Cover	1	320001-	269001-	403001-
19	1K-1562	SUPPORT, Drive Shaft (Order 1KS-1562)	1	320001-	269001-	403001-
	1KS-1562	SUPPORT (1K-1562) with Bushing (1K-1583) and Dowels (1K-1584), Drive Shaft 908356 Cap Screw, 1/2 - 13 x 1-1/4 Hex Hd 920158 Lock Washer, 1/2 Internal Tooth	1 1 1	320001-	269001-	403001-
20						
21						
22	1K-1570	HOUSING 908364 Cap Screw, 1/2 - 13 x 3-1/4 Hex Hd 920085 Lock Washer, 1/2 S-1901 Plug, 3/4 Std Pipe	1 4 4 4 1	320001-	269001-	403001-
23						
24						
25						
26	1MA-1571-A	SHAFT, Drive	1	320001-	269001-	403001-
27	1K-1572	PINION (19 Teeth)	1	320001-	269001-	403001-
28	1K-1573	GEAR (57 Teeth)	1	320001-	269001-	403001-
29	1K-1582	OIL SEAL, Shaft	1	320001-	269001-	403001-
30	1K-1583	BUSHING, Drive Shaft	1	320001-	269001-	403001-
31	1K-1584	DOWEL PIN, Shaft (3/8 x 5/8)	1	320001-	269001-	403001-
32	1K-1585	SLEEVE, Clutch Mounting	2	320001-	269001-	403001-
33	1K-1586	RETAINER, Clutch Mounting Sleeve Bearing (Order 1KS-1586)	1	320001-	269001-	403001-

## POWER TAKE-OFF

Ref. No.	Part Number	Description	No. Req.	Row Crop Serial Number	Standard Serial Number	Industrial Serial Number
34	IKS-1586	RETAINER With Oil Seal (IK-1588), Clutch Mounting Sleeve Bearing	1	320001-	269001-	403001-
35		908331 Cap Screw, 3/8 - 16 x 7/8 Hex Hd	3			
		920083 Lock Washer, 3/8	3			
36	IK-1587	GASKET, Clutch Mounting Sleeve Bearing Retainer	1	320001-	269001-	403001-
37	IK-1588	OIL SEAL, Clutch Mounting Sleeve	1	320001-	269001-	403001-
38	IK-1589	SPACER, Drive Shaft Bearing	1	320001-	269001-	403001-
39	IK-1590	OIL SEAL, Drive Shaft	1	320001-	269001-	403001-
40	IK-1592	COVER, Lower	1	320001-	269001-	403001-
41		908330 Cap Screw, 3/8 - 16 x 3/4 Hex Hd	7			
42		920083 Lock Washer, 3/8	7			
43	IK-1593	GASKET, Lower Cover	1	320001-	269001-	403001-
44	IK-1649	LOCK WASHER, Mounting Screw (Replaces 920156 Shokproof Lock Washer with IKS-1650)	4	320001-	269001-	403001-
45	IKS-1650	CLUTCH Assembly	1	320001-	269001-	403001-
46	IK-1651	908479 Cap Screw, 3/8 - 24 x 3/4 Hex Hd	4			
		HOUSING, Clutch	1	320001-	269001-	403001-
47	IKS-1655	PLATE, Clutch Pressure	1	320001-	269001-	403001-
48	IKSA-1655	PLATE With Lever, Clutch Pressure	1	320001-	269001-	403001-
49	IKS-1656	PLATE With Packings, Clutch Drive	2	320001-	269001-	403001-
50	IK-1657	PLATE, Clutch Center	1	320001-	269001-	403001-
51	IK-1659	LEVER, Clutch Pressure Plate	6	320001-	269001-	403001-
52	IK-1660	PIN, Clutch Pressure Plate Lever	3	320001-	269001-	403001-
53	IK-1661	ROLLER, Clutch Lever	3	320001-	269001-	403001-
54	IK-1662	LINK, Clutch Pressure Plate Connecting	3	320001-	269001-	403001-
55	IK-1663	RING, Clutch Pressure Plate Retaining	3	320001-	269001-	403001-
56	IK-1664	PIN, Clutch Pressure Plate Connecting Link (Short)	9	320001-	269001-	403001-
57	IK-1664-A	PIN, Clutch Connecting Link (Long)	3	320001-	269001-	403001-
58	IK-1665-A	SPRING, Clutch Pressure	3	320001-	269001-	403001-
59	IKSR-1666	SHIM SET, Clutch Back Plate	3	320001-	269001-	403001-
60	IK-1667	PLATE, Clutch Back (Order IKS-1667)	3	320001-	269001-	403001-
61	IKS-1667	PLATE Assembly, Clutch Back	1	320001-	269001-	403001-
62		908463 Cap Screw, 5/16 - 24 x 5/8 Hex Hd	1			
		920082 Lock Washer, 5/16	6			
63	IK-1668-B	WASHER, Clutch Pressure	6	320001-	269001-	403001-
64	IK-1669	PLATE, Clutch Washer	1	320001-	269001-	403001-
65	IK-1670	SNAP RING, Clutch Washer Plate	1	320001-	269001-	403001-
66	IK-1671	SLEEVE, Clutch Release Bearing (Order IKS-1671)	1	320001-	269001-	403001-
	IKS-1671	SLEEVE (IK-1671) and Bearing (IKS-1673), Clutch Release Bearing	1	320001-	269001-	403001-
67	IK-1672	BEARING, Clutch Release - RH (Order IKS-1673)	1	320001-	269001-	403001-
68	IK-1673	BEARING, Clutch Release - LH (Order IKS-1673)	1	320001-	269001-	403001-

SECTION X  
OPTIONAL EQUIPMENT

## 77 PARTS BOOK

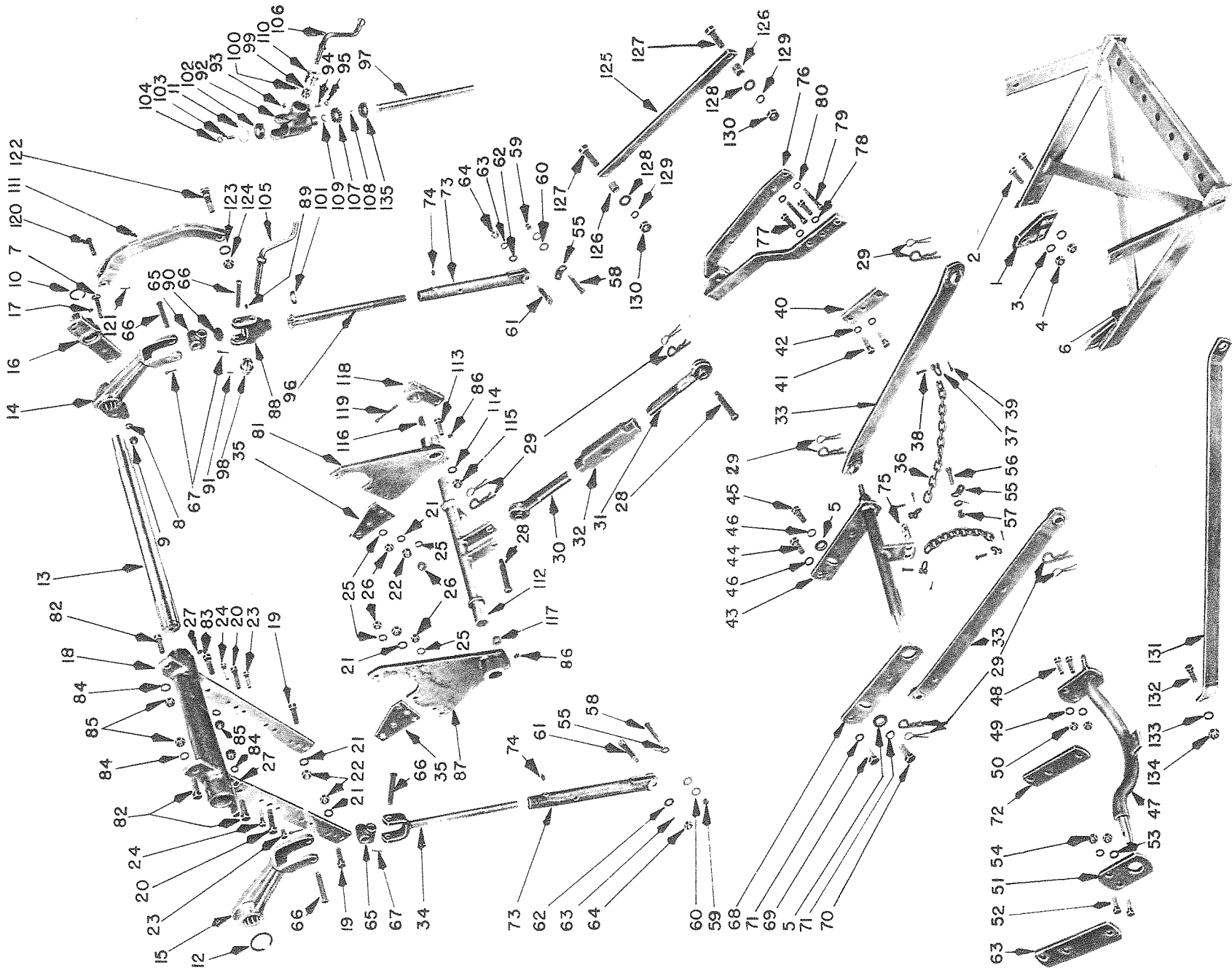
## POWER TAKE-OFF

Ref. No.	Part Number	Description	No. Req.	Row Crop Serial Number	Standard Serial Number	Industrial Serial Number
69	IKS-1673	BEARING, Clutch Release 908469 Cap Screw, 5/16 - 24 x 1-3/4 Hex Hd	1	320001-	269001-	403001-
70		915364 Nut, 5/16 - 24 Elastic Stop	2			
71		939017 Fitting, 1/8 Pt. x 67-1/2 Hydr Alenite	1			
72						
73	IK-1681	SHAFT, Clutch Release	1	320001-325600	269001-270565	403001-403185
73	IK-1681-B	SHAFT, Clutch Release	1	325601-	270566-	403186-
74	IM-1681-A	SHAFT, Clutch Release - Orchard	1			
75	IK-1682	FORK, Clutch Release	1	320001-325600	269001-270565	403001-403185
76		908333 Cap Screw, 3/8 - 16 x 1-1/4 Hex Hd	2			
77		920083 Lock Washer, 3/8	2			
75	IK-1682-A	FORK, Clutch Release	1	325601-	270566-	403186-
76		908333 Cap Screw, 3/8 - 16 x 1-1/4 Hex Hd	2			
77		920083 Lock Washer, 3/8	2			
78	IK-1683	PIVOT, Clutch Release Yoke	1	320001-325600	269001-270565	403001-403185
79		920089 Lock Washer, 3/4	1			
80	IK-1683-A	PIVOT, Clutch Release Yoke	1	325601-	270566-	403186-
81	IKS-1686	LEVER WITH Latch, Clutch Release S-1364 Pin, 1/4 x 1-1/4 Roll	1	320001-325600	269001-270565	403001-403185
82		908333 Cap Screw, 3/8 - 16 x 1-1/4 Hex Hd	1			
83		915236 Nut, 3/8 - 16 Hex Jam	1			
84						
81	IKS-1686-B	LEVER Assembly, Clutch Release 932555 Groove Pin, 5/16 x 1-1/2	1	325601-	270566-	403186-
82		908336 Cap Screw, 3/8 - 16 x 2 Hex Hd	1			
83		915236 Nut, 3/8 - 16 Hex Jam	1			
84						
81A	ILS-1686	LEVER Assembly, Clutch Release (When Three Point Hitch is used)	1			
85	IKSR-1686-B	LEVER Field Change-Over Package (Replacement package for IK-1205 Housing)	1			
86	IMS-1686-A	SHAFT Assembly, Clutch Release Lever - Orchard 932555 Groove Pin, 5/16 x 1-1/2	1			
87	IK-1687	LATCH, Clutch Lever	1	320001-	269001-	403001-
87A	IL-1687-A	BRACKET, Clutch Release Lever (When Three Point Hitch is used)	1			
88	IK-1688	PIN, Clutch Lever Latch	1	320001-325600	269001-270565	403001-403185
89	IK-1688-A	BOLT, Clutch Lever Latch	1	325601-	270566-	403186-
90		920083 Lock Washer, 3/8	1			
91		915085 Nut, 3/8 - 24 Hex Jam	1			
92	IK-1689	ROD, Clutch Lever 932000 Cotter Pin, 1/16 x 1/2	1	320001-325600	269001-270565	403001-403185
92						
91	IK-1689-A	ROD, Clutch Lever 932008 Cotter Pin, 3/32 x 3/4	1	325601-	270566-	403186-
92			2			
93	IK-1690	SPRING, Clutch Release Lever	1	320001-	269001-	403001-
93A	IL-1690	SPRING, Clutch Release Lever (When Three Point Hitch is Used)	1			
93B		908300 Cap Screw, 1/4 - 20 x 5/8 Hex Hd	1			
93C		920081 Lock Washer, 1/4	1			
93D		915111 Nut, 1/4 - 20 Hex	1			
94	IK-1691	PLUNGER, Clutch Lever	1	320001-	269001-	403001-
95	IK-1692	PIN, Grease Hole Cover	1	320001-	269001-	403001-
96		932008 Washer, 5/16 Flat	2			
97		932008 Cotter Pin, 3/32 x 5/8	1			

## POWER TAKE-OFF

Ref. No.	Part Number	Description	No. Req.	Row Crop Serial Number	Standard Serial Number	Industrial Serial Number
98	ICS-5010	BEARING, Drive Shaft Ball (SKF 6205-Z)	1	320001-	269001-	403001-
99	IKS-5016	BEARING, Shaft Rear (Torrington BH-2216-OH)	1	320001-	269001-	403001-
100	IKS-5026	BEARING, Shaft Front (SKF 6206NR)	1	320001-	269001-	403001-
101	IKS-5030-A	BEARING, Clutch Mounting Sleeve Ball - Front (ND-93L07) (SKF 6007-XARS)	1	320001-	269001-	403001-
102	IKS-5031	BEARING, Clutch Mounting Sleeve Ball - Rear (SKF 6208ZNR)	1	320001-	269001-	403001-

THREE POINT HITCH





## THREE POINT HITCH

Ref. No.	Part Number	Description	No. Req.	Row Crop Serial Number	Standard Serial Number	Industrial Serial Number
1	IL-785-A	BRACKET, Drawbar Support - Right	1	320001-	269001-	
2		908535 Cap Screw, 5/8 - 18 x 2 Hex Hd	2			
3		920087 Lock Washer, 5/8	2			
4		915006 Nut, 5/8 - 18 Hex	2			
5	IK-790	WASHER, Steel (With IMS-3334 and IM-3340)	2	320001-	269001-	
6	ILS-792-B	DRAWBAR Assembly	1	320001-	269001-	
7		900884 Bolt, 1/2 - 13 x 2-1/2 Mch	1			
8		920085 Lock Washer, 1/2	1			
9		915115 Nut 1/2 - 13 Hex	1			
	IK-872	SPACER, Wheel Guard Support	6	320001-	269001-	
		908363 Cap Screw, 1/2 - 13 x 3 Hex Hd	10			
		920085 Lock Washer, 1/2	10			
	IM-872-A	SPACER, Wheel Guard Support	4		269001-	
		908357 Cap Screw, 1/2 - 13 x 1-1/2 Hex Hd	4			
		908355 Cap Screw, 1/2 - 13 x 1 Hex Hd	6		14129-	
		920085 Lock Washer, 1/2	10			
10	IE-1074	SNAP RING, Rocker Shaft - Small	1	320001-	269001-	
11	IH-1074	SNAP RING, Leveling Gear	1	14129-	14129-	
12	IH-1142	SNAP RING, Rocker Shaft - Large	1	320001-	269001-	
13	IMA-3301	SHAFT, Rocker	1	320001-	269001-	
14	IMA-3302	ARM, Rocker - Right	1	320001-	269001-	
15	IMA-3303	ARM, Rocker - Left	1	320001-	269001-	
16	IMS-3306	ARM Assembly, Rocker Shaft Cylinder	1	320001-	269001-	
17		939001 Fitting, 1/8 PT S&T Grease	1			
18	IMS-3308	SUPPORT Assembly, Rocker	1	320001-	269001-	
19		908534 Cap Screw, 5/8 - 18 x 1-3/4 Hex Hd	2			
20		908537 Cap Screw, 5/8 - 18 x 2-1/2 Hex Hd	1			
20		908539 Cap Screw, 5/8 - 18 x 3 Hex Hd	1			
21		920087 Lock Washer, 5/8	4			
22		915006 Nut, 5/8 - 18 Hex	4			
23		908506 Cap Screw, 1/2 - 20 x 1-1/2 Hex Hd	2			
24		908508 Cap Screw, 1/2 - 20 x 2 Hex Hd	2			
25		920085 Lock Washer, 1/2	4			
26		915004 Nut, 1/2 - 20 Hex	4			
27		939001 Fitting, 1/8 PT S&T Grease	2			
28	IE-3314-A	PIN, Upper Link	2	320001-	269001-	
29	IL-3318	PIN, Linch (For 11/32" Hole)	6	320001-6502	269001-6502	
29	IE-3318	PIN, Linch (For 15/32" Hole)	6	6503-	6503-	
30	ILS-3320	SCREW Assembly, Upper Link - RH Thread	1	320001-	269001-	
		915244 Nut, 1-1/8 - 7 Hex Jam	1			
31	ILS-3321	SCREW Assembly, Upper Link - LH Thread	1	320001-	269001-	
32	IE-3322	TURNBUCKLE	1	320001-	269001-	
33	IMS-3323	LINK Assembly, Lower	2	320001-	269001-	
34	ILS-3326	LINK Assembly, Left Lifting	1	320001-	269001-	
35	IL-3329-B	GUSSET, Rocker Support	2	320001-	269001-	
36	IL-3330	CHAIN, Sway (1/4" Link Material)	2	320001-14128	269001-14128	
36	IL-3330-A	CHAIN, Sway (5/16" Link Material)	2	14129-	14129-	
36	IL-3330-B	CHAIN, Sway (5/16" Link Material)	2			

SECTION X  
OPTIONAL EQUIPMENT

## 77 PARTS BOOK

## THREE POINT HITCH

Ref. No.	Part Number	Description	No. Req.	Row Crop Ser'cl. Number	Standard Ser'cl. Number	Industrial Ser'cl. Number
	1LSR-3330-A	SWAY CHAIN Field Change-Over Package	1	320001-14128	269001-14128	
	1LSR-3330-B	SWAY CHAIN Field Change-Over Package	1		14129-	
37	1E-3332	CLEVIS, Sway Chdn.	4	14129-	269001-14128	
	1LS-3332	SHACKLE And Pin Assembly, Sway Chdn.	4	320001-14128		
38	1E-3333	PIN, Sway Chain, Clevis	4	14129-		
39		932016 Cotter Pin, 1/8 x 3/4	4			
40	1K-3333	BRACKET, Rocket Support	2	320001-	269001-	
41		908385 Cap Screw, 5/8 - 11 x 1-3/4 Hex Hd	2			
42		920087 Lock Washer, 5/8	2			
43	1MS-3334	SHAFT Assembly, Lower Hitch	1	320001-		
44		908400 Cap Screw, 3/4 - 10 x 1-3/4 Hex Hd	1			
45		908401 Cap Screw, 3/4 - 10 x 2 Hex Hd	1			
46		920089 Lock Washer, 3/4	2			
47	1LS-3334-B	SHAFT Assembly, Lower Hitch	1		269001-	
48		908534 Cap Screw, 5/8 - 18 x 1-3/4 Hex Hd	2			
49		920087 Lock Washer, 5/8	2			
50		915006 Nut, 5/8 - 18 Hex	2			
51	1L-3336	BRACKET, Lower Hitch	1		269001-	
52		908534 Cap Screw, 5/8 - 18 x 1-3/4 Hex Hd	2			
53		920087 Lock Washer, 5/8	2			
54		915006 Nut, 5/8 - 18 Hex	2			
55	1E-3336	COUPLING, Sway Chdn.	4	14129-	14129-	
56		908535 Cap Screw, 5/8 - 18 x 2 Hex Hd - Row Crop	1			
57		S-2058 Nut, 5/8 - 18 Self Locking - Row Crop	1			
58	1E-3337	BOLT, Lift Link	2	14129-	14129-	
59		S-2058 Nut, 1/2 - 20 Self Locking	2			
60		920013 Washer, 5/8 Plain	4			
61	1L-3337	PIN, Lower Link	2	320001-14128	269001-14128	
62		920011 Washer, 1/2 Plain	2			
63		920085 Lock Washer, 1/2	2			
64		915004 Nut, 1/2 - 20 Hex	2			
65	1L-3338	KNUCKLE, Lifting Link	2	320001-	269001-	
66	1LA-3339	PIN, Lifting Link	4	320001-	269001-	
67		932017 Cotter Pin, 1/8 x 1	4			
68	1M-3340	BRACKET, Lower Hitch	1	320001-		
69		908400 Cap Screw, 3/4 - 10 x 1-3/4 Hex Hd	1			
70		908401 Cap Screw, 3/4 - 10 x 2 Hex Hd	1			
71		920089 Lock Washer, 3/4	2			
72	1L-3340-A	BRACKET, Lower Support	2		269001-	
69		908400 Cap Screw, 3/4 - 10 x 1-3/4 Hex Hd	2			
71		920089 Lock Washer, 3/4	4			
73	1M-3341	END, Lifting Link	2	320001-		
74		939001 Fitting, 1/8 PT Strt Grease	2			
73	1LS-3341-A	LINK Assembly, Lifting	2			
74		939001 Fitting, 1/8 PT Strt Grease	2			
75	1L-3342	PIN, Sway Chain Anchor	1	320001-14128	269001-	
76	1MS-3344	BRACKET Assembly, Cylinder	1	320001-		
77		908391 Cap Screw, 5/8 - 11 x 3-1/2 Hex Hd	2			
78		920087 Lock Washer, 5/8	2			
79		908385 Cap Screw, 1/2 - 13 x 3-1/2 Hex Hd	2			
80		920085 Lock Washer, 1/2	2			

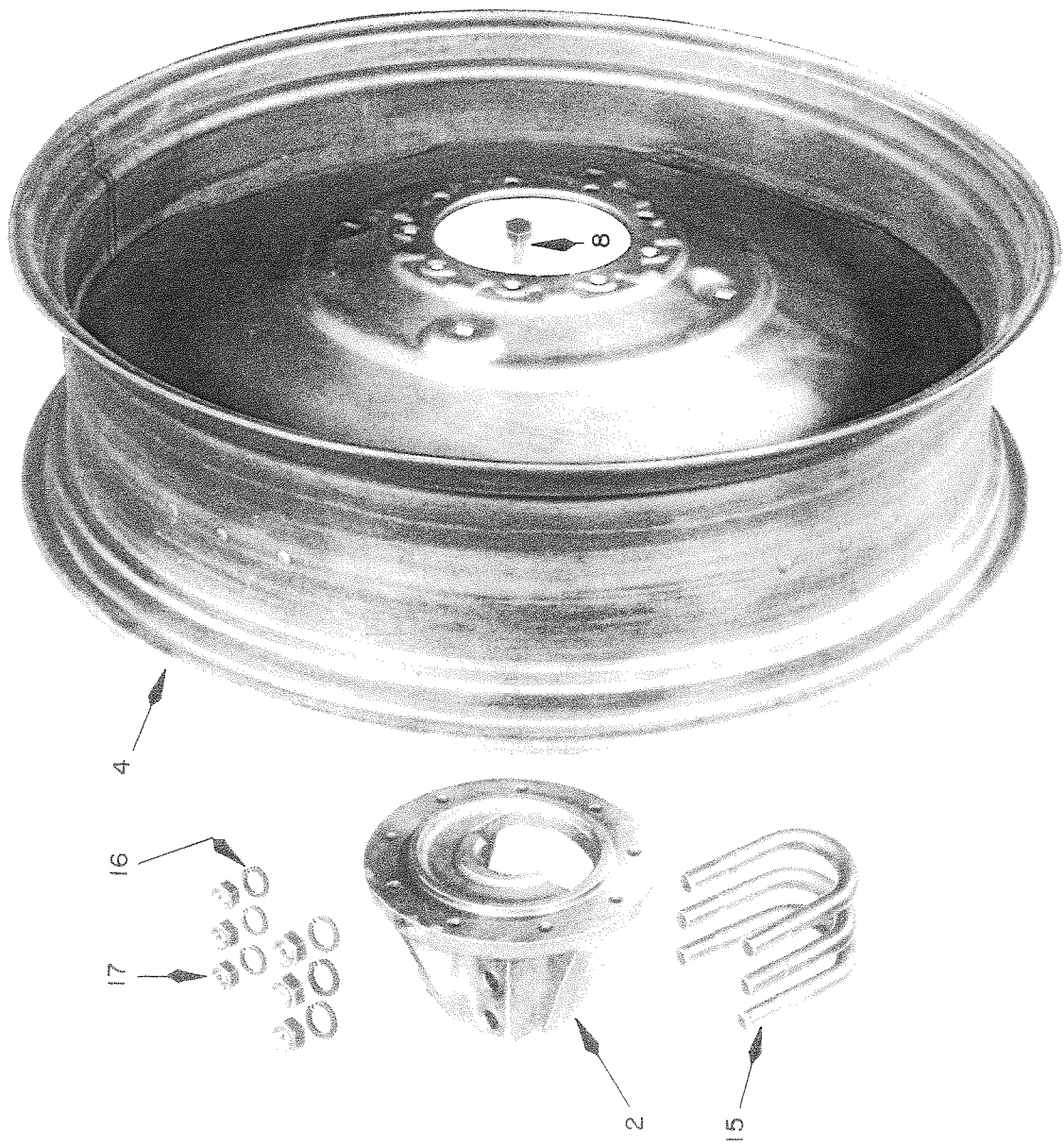
## THREE POINT HITCH

Ref. No.	Part Number	Description	No. Req.	Row Crop Serial Number	Standard Serial Number	Industrial Serial Number
76	IMS-3344-B	BRACKET Assembly, Cylinder (For 100" Rear Tread)	1	320001-		
77		908391 Cap Screw, 5/8 - 11 x 3-1/2 Hex Hd	2			
78		920087 Lock Washer, 5/8	2			
79		908357 Cap Screw, 1/2 - 13 x 1-1/2 Hex Hd	2			
80		920085 Lock Washer, 1/2	2			
76	IMS-3344-A	BRACKET Assembly, Cylinder	1		269001-	
77		908391 Cap Screw, 5/8 - 11 x 3-1/2 Hex Hd	2			
78		920087 Lock Washer, 5/8	2			
79		908357 Cap Screw, 1/2 - 13 x 1-1/2 Hex Hd	2			
80		920085 Lock Washer, 1/2	2			
81	ILS-3346-A	BRACKET Assembly, Depth Control - Right	1	320001-		
82		908534 Cap Screw, 5/8 - 18 x 1-3/4 Hex Hd	1			
83		908535 Cap Screw, 5/8 - 18 x 2 Hex Hd	1			
84		920087 Lock Washer, 5/8	1			
85		915006 Nut, 5/8 - 18 Hex	2			
86		939001 Fitting, 1/8 PT Strt Grease	2			
81	ILS-3346-C	BRACKET Assembly, Depth Control - Right	1		269001-	
82		908534 Cap Screw, 5/8 - 18 x 1-3/4 Hex Hd	1			
83		908535 Cap Screw, 5/8 - 18 x 2 Hex Hd	1			
84		920087 Lock Washer, 5/8	1			
85		915006 Nut, 5/8 - 18 Hex	2			
86		939001 Fitting, 1/8 PT Strt Grease	2			
87	ILS-3346-B	BRACKET Assembly, Depth Control - Left	1	320001-		
82		908534 Cap Screw, 5/8 - 18 x 1-3/4 Hex Hd	1			
84		920087 Lock Washer, 5/8	2			
85		915006 Nut, 5/8 - 18 Hex	2			
86		939001 Fitting, 1/8 PT Strt Grease	2			
87	ILS-3346-D	BRACKET Assembly, Depth Control - Left	1		269001-	
82		908534 Cap Screw, 5/8 - 18 x 1-3/4 Hex Hd	1			
83		908535 Cap Screw, 5/8 - 18 x 2 Hex Hd	1			
84		920087 Lock Washer, 5/8	1			
85		915006 Nut, 5/8 - 18 Hex	2			
86		939001 Fitting, 1/8 PT Strt Grease	2			
87	IL-3351	HOUSING, Leveling Gear	1	320001-14128	269001-14128	
82		939001 Fitting, 1/8 PT Strt Grease	1			
83		935026 Plug, 1-3/4 Dia Exp	1			
84		S-1376 Pin, 3/16 x 7/8 Roll	1			
85			1			
86			1			
88	ILS-3351	HOUSING, Leveling Gear	1		269001-14128	
82		939001 Fitting, 1/8 PT Strt Grease	1			
83		935026 Plug, 1-3/4 Dia Exp	1			
84		S-1376 Pin, 3/16 x 7/8 Roll	1			
85			1			
86			1			
88	ILS-3351	HOUSING, Leveling Gear	1	320001-14128	269001-14128	
82		939001 Fitting, 1/8 PT Strt Grease	1			
83		935026 Plug, 1-3/4 Dia Exp	1			
84		S-1376 Pin, 3/16 x 7/8 Roll	1			
85			1			
86			1			
92	IL-3351-A	GEAR Assembly, Leveling (Order ILS-3351-A)	1	320001-14128	269001-14128	
93		HOUSING, Leveling Gear	1			
94		939049 Fitting, 1/4 - 28 90° Elbow Grease	1	14129-	14129-	
95		S-1187 Screw, 3/8 - 18 x 1 Set	1			
		915267 Nut, 3/8 - 16 Hex Jam	1			
96	ILS-3351-A	GEAR Assembly, Leveling	1	14129-	14129-	
97	IL-3352	GEAR AND SHAFT, Leveling	1	320001-14128	269001-14128	
98	IL-3352-A	SHAFT, Leveling Gear	1	14129-	14129-	
99	IL-3353	PINION, Leveling	1	320001-14128	269001-14128	
100	IL-3353-A	PINION, Leveling	1	14129-	14129-	
		S-1387 Pin, 3/16 x 15/16 Roll	1			
101	IL-3354	WASHER, Thrust	1	320001-14128	269001-14128	
102	IL-3354-A	PLATE, Leveling Gear Shaft Thrust	1	14129-	14129-	
103		S-1188 Screw, 1/2 - 13 x 1 Set	1			
104		915238 Nut, 1/2 - 13 Hex Jam	1			
105	ILS-3355	CRANK Ass embly, Leveling	1	320001-14128	269001-14128	
106	IL-3355-A	CRANK, Leveling	1	14129-	14129-	
107	IL-3357	GEAR, Leveling	1	14129-	14129-	
108		937082 Key, 1/8 x 1/2 Woodruff	1			

## THREE POINT HITCH

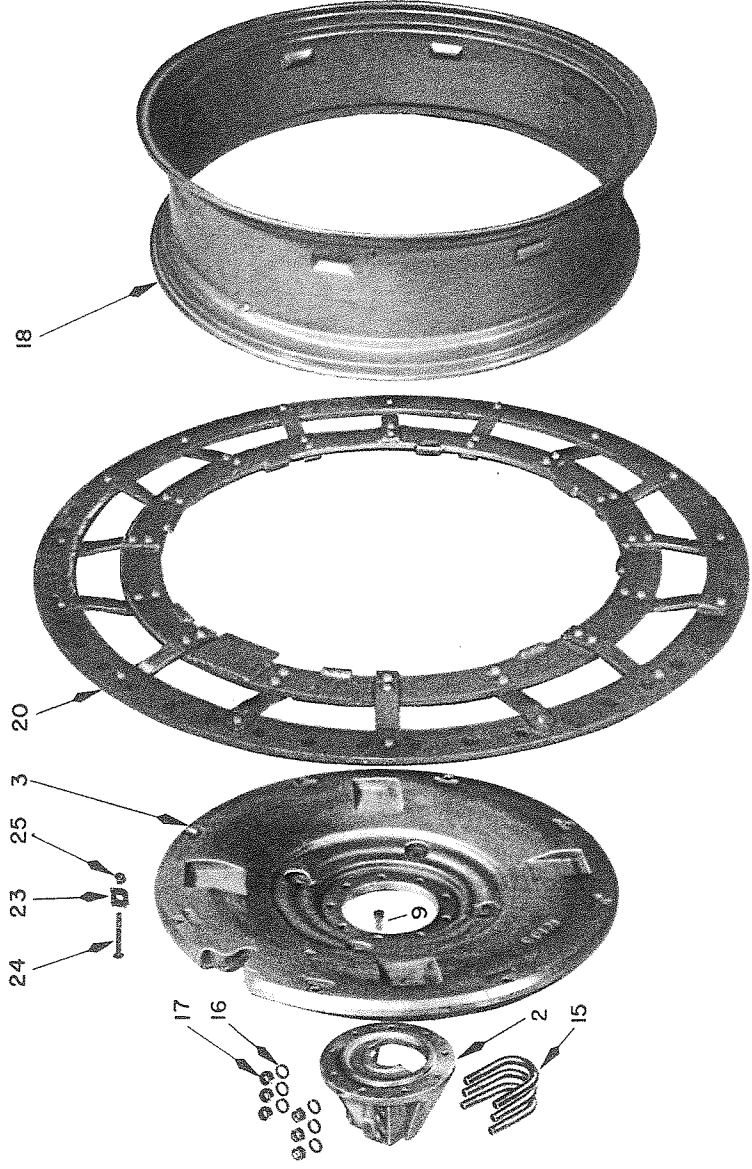
Ref. No.	Part Number	Description	No. Req.	Row Crop Serial Number	Standard Serial Number	Industrial Serial Number
109	1L-3358	WASHER, Leveling Gear Retaining	1	14129-	14129-	
110	1L-3359	BUSHING, Leveling Crank	1	14129-	14129-	
111	1LBS-3361-B	LINK Assembly, Depth Control	1	320001-		
111	1LAS-3361-C	LINK Assembly, Depth Control	1		269001-	
112	1LS-3363-C	SHAFT Assembly, Depth Control	1	320001-	269001-	
113		908534 Cap Screw, 5/8 - 18 x 1-3/4 Hex Hd	1			
114		920087 Lock Washer, 5/8	1			
115		915006 Nut, 5/8 - 18 Hex	1			
116		937027 Key, 5/16 x 1-1/8 Woodruff	1			
117	1L-3365-A	STOP, Depth Control	1			
118	1LS-3366	LEVER Assembly, Depth Control Shaft	1	320001-		
119		932061 Cotter Pin, 5/16 x 3	1			
118	1LS-3366-A	LEVER Assembly, Depth Control Shaft	1		269001-	
119		932061 Cotter Pin, 5/16 x 3	1			
120	1L-3371	PIN, Depth Control Link	1	320001-	269001-	
121		932017 Cotter Pin, 1/8 x 1	1			
122	1L-3372	PIN, Depth Control Shaft Lever	1	320001-	269001-	
123		920089 Lock Washer, 3/4	1			
124		915007 Nut, 3/4 - 16 Hex	1			
125	1L-3373	BAR, Hitch Support	1	320001-	269001-	
126	1L-3374	SLEEVE, Hitch Support Bar	2	320001-	269001-	
127		908537 Cap Screw, 5/8 - 18 x 2-1/2 Hex Hd	2			
128		920013 Washer, 5/8 Plain	2			
129		920087 Lock Washer, 5/8	2			
130		915006 Nut, 5/8 - 18 Hex	2			
131	1LA-3375	STABILIZER BAR, Hitch	1	320001-	269001-	
132		908534 Cap Screw, 5/8 - 18 x 1-3/4 Hex Hd	1			
133		920087 Lock Washer, 5/8	1			
134		915006 Nut, 5/8 - 18 Hex	1			
135	1LS-5035	BEARING, Leveling Gear Thrust (Link on T-88)	1	14129-	14129-	

## REAR WHEELS



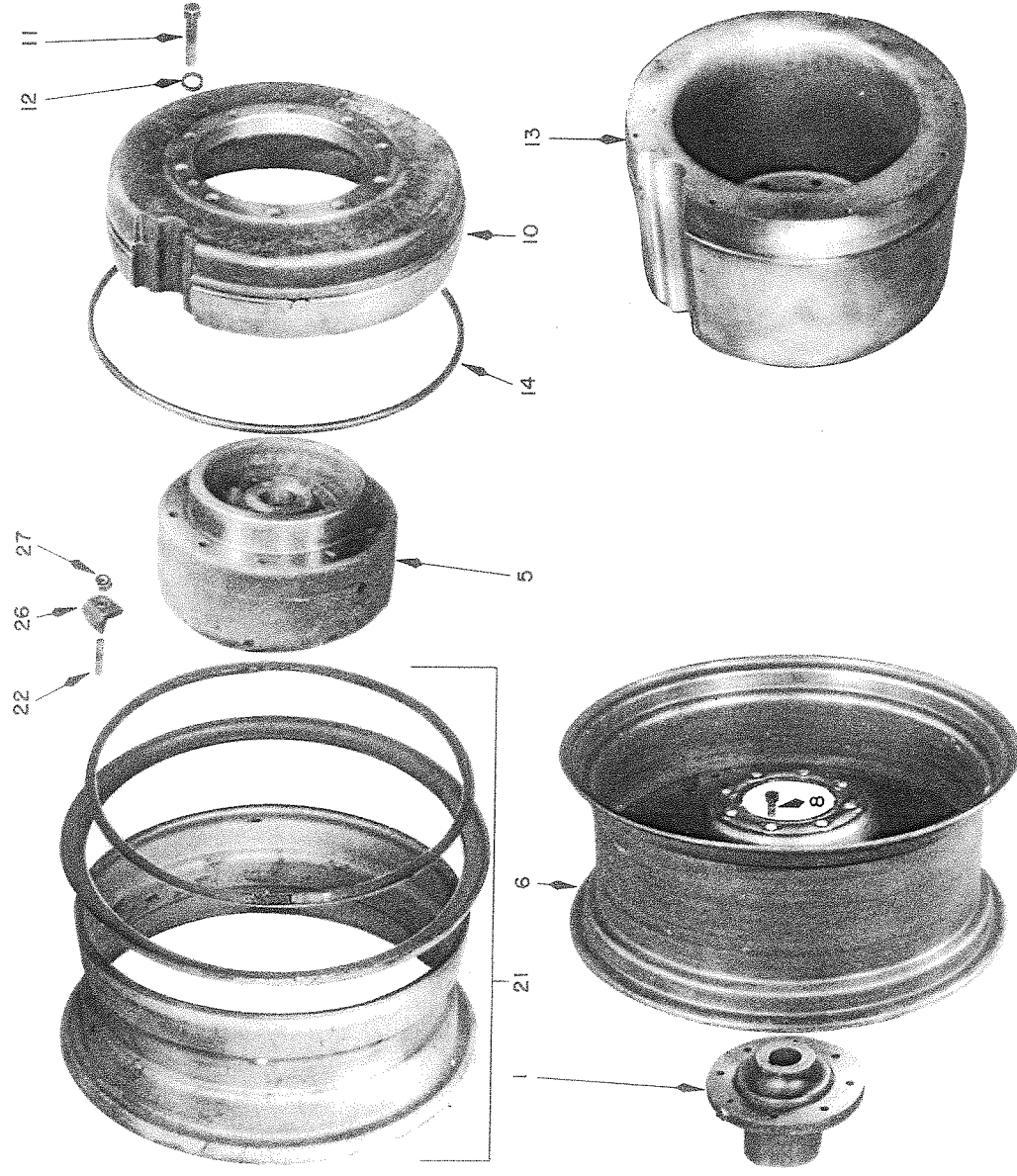
Ref. No.	Part Number	Description	No. Req.	Row Crop Ser. No.	Standard Ser. No.	Industrial Ser. No.
1	1F-704-F	HUB, Rear Wheel	2		269001-	
2	1M-704-B	HUB, Rear Wheel (4 used with Duals)	2	320001-6502		
2	1M-704-C	HUB, Rear Wheel (4 used with Duals)	2	6503-		
3	1KA-705	WHEEL, Rear (Heavy cast iron wheel)	2	320001-		
3	1L-705-B	WHEEL, Rear (Light cast iron wheel)	2	320001-		
4	1MS-705	DISC And Rim Assembly, Rear Wheel (10-38 Tires) (4 used with Duals)	2	320001-		

REAR WHEELS



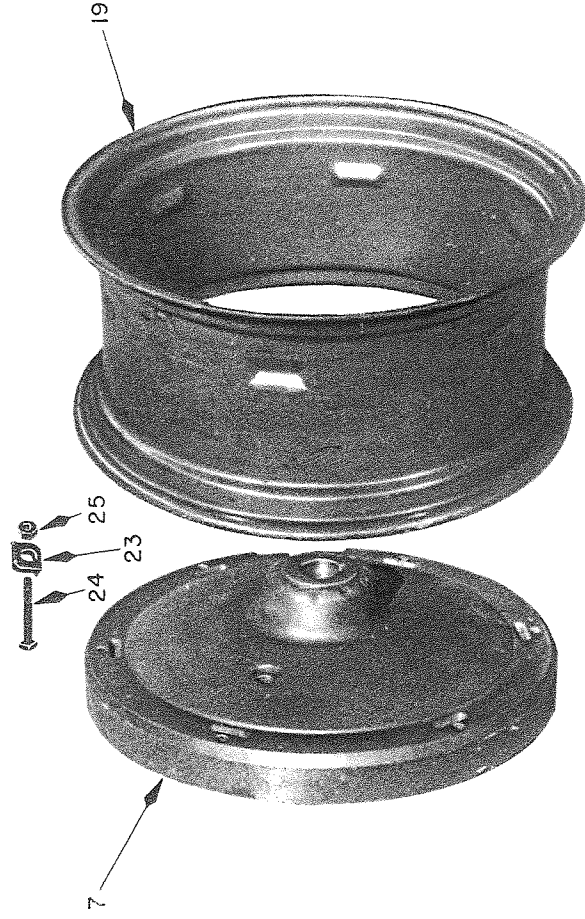
Ref. No.	Part Number	Description	No. Req.	Row Crop Serial Number	Standard Serial Number	Industrial Serial Number
4	IMS-705-B	DISC And Rim Assembly, Rear Wheel (11-38 and 12-38 Tires)(4 used with Duals)	2	320001-		403001-
5	IM-705-C	WHEEL, Rear (12.00-24 Tires)	2		269001-	
6	IMS-705-D	DISC And Rim Assembly, Rear Wheel (11-26 Tires)	2		269001-	
6	IMS-705-F	DISC And Rim Assembly, Rear Wheel (12-26 and 13-26 Tires)	2			
6	IMS-705-H	DISC And Rim Assembly, Rear Wheel - Orchard (12-26, 13-26 and 14-26 Tires)	2			
7	IM-705-J	WHEEL, Rear - Orchard (13-26 and 14-26 Tires)	2			
8	IH-706-A	BOLT, Rear Wheel Hub (With Pressed Steel Wheel) (9/16 - 18 x 1-1/2) (16 used with Standard) (36 used with Row Crop Duals)	18	320001-	269001-	
9	IK-706	BOLT, Rear Wheel Hub (With cast iron wheel) (9/16 - 18 x 2-1/16)	18	320001-		
10	IK-1225	RING, Rear Wheel Rim Support	2			403001-
11		S-3118 Cap Screw, 3/4 - 10 x 3-1/2 Hex Hd	20			
12		920089 Lock Washer, 3/4 S-3119 Cap Screw, 3/4 - 20 x 4-3/4 when used with Duals)	20			

## REAR WHEELS



Ref. No.	Part Number	Description	No. Req.	Row Crop Serial Number	Standard Serial Number	Industrial Serial Number
13	IK-1225-A	SUPPORT, Rear Wheel Rim (Outer) (With Duxls)	2			403001-
11		S-3119 Cap Screw, 3/4 - 10 x 4-3/4 Hex Hd	20			
12		920089 Lock Washer, 3/4	20			
14	IK-1228	RING, Rear Wheel Rim Locating (4 used with Duals)	2			
15	IM-1451	U-BOLT, Rear Wheel Hub (12 used with Duals)	6	320001-6502		
16		920089 Lock Washer, 3/4	12			
15	IM-1451-B	U-BOLT, Rear Wheel Hub (12 used with Duals)	6	6503-		
16		920089 Lock Washer, 3/4	12			
17	IK-1452	NUT, Rear Wheel U-Bolt (24 used with Duals)	12			
18	IKS-7002-A	RIM, Rear Wheel (11-38 and 12-38 Tires) (With 1KA-705 and 1L-705-B)	2	320001-		
18	IMS-7002	RIM, Rear Wheel (10-38 Tires) (With 1KA-705 and 1L-705-B)	2			
19	IKS-7002-E	RIM Assembly, Rear Wheel - Orchard (13-26 Tires) (With 1M-705-J)	2			

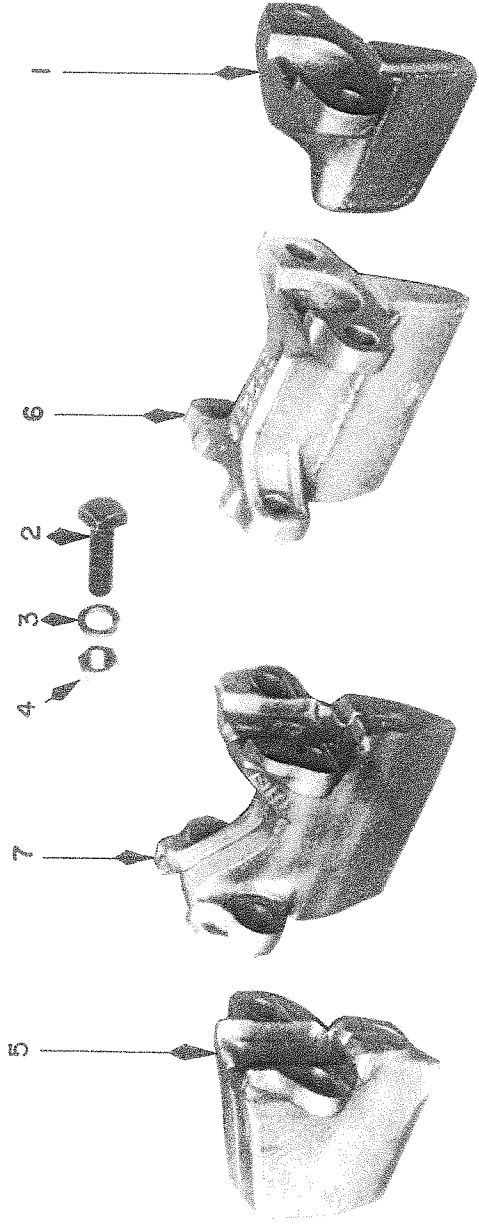
## REAR WHEELS



Ref. No.	Part Number	Description	No. Req.	Row Crop Serial Number	Standard Serial Number	Industrial Serial Number
19	1KS-7002-K	RIM Assembly, Rear Wheel - Orchard (14-26 Tires) (With 1M-705-J)	2			
20	1K-7002-F	RIM, Tiptoe Rear Wheel (With 1KA-705 & 1L-705-B) (55" outside Diameter) (With 1BA-1225 Extension Rims)	2	320001-		
20	1K-7002-L	RIM, Tiptoe Rear Wheel (With 1KA-705 & 1L-705-B) (53" outside Diameter) (With 1K-1225-B Extension Rims)	2	320001-		
21	1DS-7002-C	RIM Assembly, Rear Wheel (12.00-24 Tires) (4 used with Duals)	2			403001-
21	1KS-7002-J	RIM Assembly, Rear Wheel (14-26 Tires)	2			403001-
22	1D-7006-A	STUD, Rim Clamp - Rear (32 used with Duals)	16			403001-
23	1E-7011-B	CLAMP, Rear Rim (With 1KA-705, 1L-705-B and 1M-705-J) (12 used with Orchard Wheel 1M-705-J)	16	320001-344664		
24		900887 Bolt, 1/2 - 13 x 3-1/4 Mach (With 1KA-705)	16			
24		900888 Bolt, 1/2 - 13 x 3 Mach (With 1L-705-B)	16			
24		900888 Bolt, 1/2 - 13 x 3-1/2 Mach (With 1M-705-J)	12			
25		915437 Nut, 1/2 - 13 Hex	16			
23	1K-7011-B	CLAMP, Rear Rim	16	344665-		
24		S-1547 Bolt, 1/2 - 13 x 3-1/4 Mach	16			
25		915115 Nut, 1/2 - 13 Hex	16			
26	1D-7011-B	CLAMP, Rim - Rear (32 used with Duals)	16			403001-
27		915115 Nut, 1/2 - 13 Hex	16			

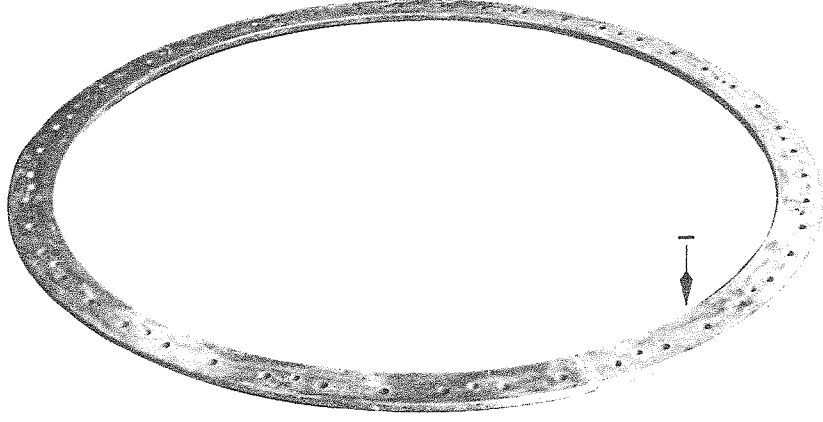


## LUGS



Ref. No.	Part Number	Description	No. Req.	Row Crop Serial Number	Standard Serial Number	Industrial Serial Number
1	1BA-956-B	LUG, Cast Offset (With 1K-7002-F)	48	320001-		
2		S-1530 Bolt, 5/8 - 18 x 2 Mach	98			
3		920087 Lock Washer, 5/8	98			
4		915006 Nut, 5/8 - 18 Hex	98			
1	1K-956-A	LUG, Cast Offset (With 1K-7002-L)	48	320001-		
2		S-1530 Bolt, 5/8 - 18 x 2 Mach	98			
3		920087 Lock Washer, 5/8	98			
4		915006 Nut, 5/8 - 18 Hex	98			
5	1CA-956-E	LUG, Forged Offset (With 1K-7002-F or 1K-7002-L)	48	320001-		
2		S-1530 Bolt, 5/8 - 18 x 2 Mach	98			
3		920087 Lock Washer, 5/8	98			
4		915006 Nut, 5/8 - 18 Hex	98			
6	1B-1227-A	LUG, Cast Extension (With 1BA-1225)	24	320001-		
2		S-1530 Bolt, 5/8 - 18 x 2 Mach	98			
3		920087 Lock Washer, 5/8	98			
4		915006 Nut, 5/8 - 18 Hex	98			
6	1K-1227-A	LUG, Cast Extension (With 1K-1225-B)	24	320001-		
2		S-1530 Bolt, 5/8 - 18 x 2 Mach	98			
3		920087 Lock Washer, 5/8	98			
4		915006 Nut, 5/8 - 18 Hex	98			
7	1C-1227-A	LUG, Forged Extension (With 1BA-1225 or 1K-1225-B)	24	320001-		
2		S-1530 Bolt, 5/8 - 18 x 2 Mach	98			
3		920087 Lock Washer, 5/8	98			
4		915006 Nut, 5/8 - 18 Hex	98			

EXTENSION RIMS



Ref. No.	Part Number	Description	No. Req.	Row Crop Serial Number	Standard Serial Number	Industrial Serial Number
1	1BA-1225	RIM, Extension - Tiptoe (With 1K-7002-F) (55" outside Diameter)	2	320001-		
1	1K-1225-B	RIM, Extension - Tiptoe (With 1K-7002-L) (53" outside Diameter)	2	320001-		

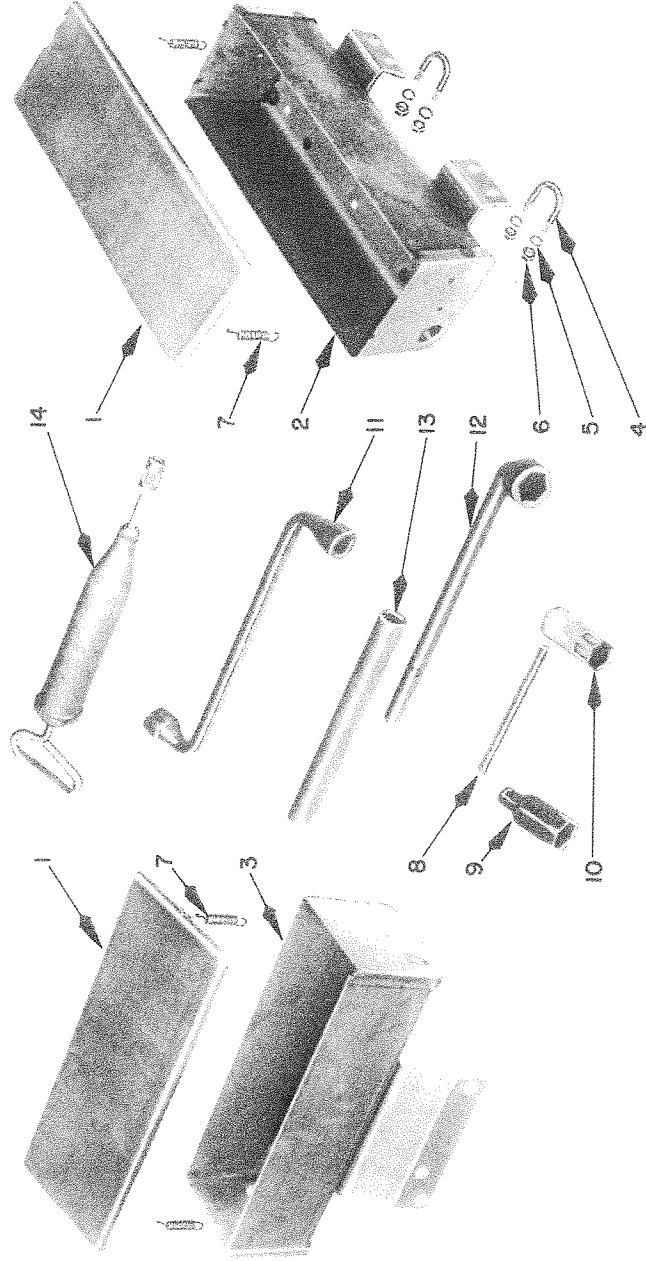
## REAR WHEEL WEIGHTS

Ref. No.	Part Number	Description	No. Req.	Row Crop Serial Number	Standard Serial Number	Industrial Serial Number
	1K-790	WASHER, Rear Wheel Weight Steel	4			493001-
	1K-1225	RING, Rear Wheel Rim Support (271 lb. per wheel) (Used as wheel weight for single rear wheels) S-3119 Cap Screw, 3/4 - 10 x 4-3/4 Hex Hd 920089 Lock Washer, 3/4	2 20 20			403001-
	IHA-1235-B	WEIGHT, Rear Wheel (One weight per wheel) For pressed steel wheel use the following hardware material. 908385 Cap Screw, 5/8 - 11 x 1-3/4 Hex Hd 920013 Washer, 5/8 Plain 920087 Lock Washer, 5/8 915439 Nut, 5/8 - 11 Hex For cast iron wheel use the following hardware material. 900925 Bolt, 5/8 - 11 x 2-1/2 Mach 920087 Lock Washer, 5/8 915439 Nut, 5/8 - 11 Hex	2 4 4 4 4 4 4 4 4 4 4 4	320001-		
	IHA-1235-B	WEIGHT, Rear Wheel (Two weights per wheel) For pressed steel wheel use the following hardware material. 908385 Cap Screw, 5/8 - 11 x 1-3/4 Hex Hd 920013 Washer, 5/8 Plain 900929 Bolt, 5/8 - 11 x 3-1/2 Mach 920087 Lock Washer, 5/8 915439 Nut, 5/8 - 11 Hex For cast iron wheel use the following hardware material. 900925 Bolt, 5/8 - 11 x 2-1/2 Mach 900932 Bolt, 5/8 - 11 x 4-1/4 Mach 920087 Lock Washer, 5/8 915439 Nut, 5/8 - 11 Hex	4 4 4 4 8 8 4 4 4 4 4 4 4 4	320001-		
	IHA-1235-B	WEIGHT, Rear Wheel (Three weights per wheel) For pressed steel wheel use the following hardware material. 908385 Cap Screw, 5/8 - 11 x 1-3/4 Hex Hd 920013 Washer, 5/8 Plain 900935 Bolt, 5/8 - 11 x 5 Mach 920087 Lock Washer, 5/8 915439 Nut, 5/8 - 11 Hex For cast iron wheel use the following hardware material. 900925 Bolt, 5/8 - 11 x 2-1/2 Mach 900938 Bolt, 5/8 - 11 x 6-1/2 Mach 920087 Lock Washer, 5/8 915439 Nut, 5/8 - 11 Hex	6 4 4 4 4 8 8 4 4 4 4 4 4 4 4	320001-		
	IJA-1235	WEIGHT, Rear Wheel (One weight per wheel) For pressed steel wheel on Standard and Orchard. 908390 Cap Screw, 5/8 - 11 x 3 Hex Hd 920087 Lock Washer, 5/8 915439 Nut, 5/8 - 11 Hex	2 4 4 4	269001-		
	IJA-1235	WEIGHT, Rear Wheel (Two weights per wheel) For pressed steel wheel on Standard and Orchard. 908390 Cap Screw, 5/8 - 11 x 3 Hex Hd 900935 Bolt, 5/8 - 11 x 5 Mach 920087 Lock Washer, 5/8 915439 Nut, 5/8 - 11 Hex	4 4 4 8 8	269001-		
	IJA-1235	WEIGHT, Rear Wheel (Three weights per wheel) For pressed steel wheel on Standard and Orchard. 908390 Cap Screw, 5/8 - 11 x 3 Hex Hd 900940 Bolt, 5/8 - 11 x 7-1/2 Mach 920087 Lock Washer, 5/8 915439 Nut, 5/8 - 11 Hex	6 4 4 8 8 8	269001-		

## REAR WHEEL WEIGHTS

Ref. No.	Part Number	Description	No. Req.	Flow Crop Ser'd. Number	Standard Ser'd. Number	Industrial Ser'd. Number
	1K-1235-B	WEIGHT, Rear Wheel (One weight per wheel) S-3120 Cap Screw, 3/4 - 10 x 8-3/4 Hex Hd 920089 Lock Washer, 3/4	2 4 4			403001-
	1K-1235-C	WEIGHT, Rear Wheel (One weight per wheel) For cast iron wheel on Orchard. 900938 Bolt, 5/8 - 11 x 8-1/2 Mach 920087 Lock Washer, 5/8 915439 Nut, 5/8 - 11 Hex	2 4 4 4			
	1K-1235-C	WEIGHT, Rear Wheel (Two weights per wheel) For cast iron wheel on Orchard. 900942 Bolt, 5/8 - 11 x 8-1/2 Mach 920087 Lock Washer, 5/8 915439 Nut, 5/8 - 11 Hex	4 4 4 4			
	1K-1235-C	WEIGHT, Rear Wheel (Three weights per wheel) For cast iron wheel on Orchard. 900947 Bolt, 5/8 - 11 x 11 Mach 920087 Lock Washer, 5/8 915439 Nut, 5/8 - 11 Hex	6 4 4 4			

## TOOLS AND TOOL BOX



Ref. No.	Part Number	Description	No. Req.	Row Crop Ser'tl Number	Standard Ser'tl Number	Industry Serial Number
1	1K-805	COVER, Tool Box	1	320001-	269001-	403001-
2	1KS-876	BOX Assembly, Tool (Less Cover)	1	320001-325600	269001-270565	403001-403185
2	1KS-876-A	BOX Assembly, Tool (Less Cover)	1	325601-	270566-	403186-
2	1LS-876-B	BOX Assembly, Tool (Less Cover) (When Three Point Hitch is used)	1			
3	1MS-876-B	BOX Assembly, Tool (Less Cover)- Orchard	1			
4	1K-877	U-BOLT, Tool Box Support	2	320001-	269001-	403001-
5		920082 Lock Washer, 5/16	4			
6		915112 Nut, 5/16 - 18 Hex	4			
7	1K-878	SPRING, Tool Box Cover	2	320001-	269001-	403001-
8	1C-988-A	HANDLE, Spark Plug Wrench	1	320001-	269001-	403001-
9	1B-989-A	WRENCH, Spark Plug - 1-1/32" Opening	1	320001-327900	269001-270565	403001-403185
10	1K-989	WRENCH, Spark plug - 29/32" Opening	1	327901-	270566-	403186-
11	1H-995	WRENCH, Wheel and Rim (49/64" and 29/32" Opening)	1	320001-	269001-	403001-
12	1K-995	WRENCH, Rear Wheel	1	320001-	269001-	403001-
13	1K-996	EXTENSION, Rear Wheel Wrench Handle	1	320001-		
14	S-1661	GUN, Atentie Hydr Hand No. 6556	1	320001-	269001-	403001-



## DETAILS OF ASSEMBLY

Part Number	Description	No. Req.	Part Number	Description	No. Req.
IMS-100-A	CRANKCASE Assembly				
IM-100-A	Crankcase	1	IMS-180-A	HEAD With Valves Assembly	1
S-1900	Plug	1	IH-188	Head	6
S-1908	Plug	1	IH-194	Guard	6
S-1918	Plug	3	IM-196-A	Gasket	6
S-1921	Plug	3	IM-197-A	Valve	6
S-1922	Plug	2	IK-A-198	Valve	12
935030	Plug	1	IH-199	Spring	12
IM-102-A	Cap	3	IB-100-A	Lock	12
IH-104	Cap Screw	8	IM-1731	Spacer	24
920085	Lock Washer	8	IMS-1732	Cell Body	6
IM-106-A	Cap	1	IM-1734	Plug	6
IK-110	Plug	1	IM-1735	Cap	6
IK-145	Cover	1			
S-2580	Screw	4	IMS-A-180-B	HEAD With Valves Assembly	1
IK-7332	Gasket	1	IMS-180-B	Head	6
IHR-155	Bushing	1	IM-196	Valve	6
IKSR-242	Sleeve	1	IM-197	Valve	6
			IK-198	Spring	12
			IB-200-A	Lock	24
			IH-199	Retainer	12
			IH-188	Guard	6
			IH-194	Seal	6
IMAS-100-B	CRANKCASE Assembly				
IM-100-B	Crankcase	1	IMS-A-180-C	HEAD With Valves Assembly	1
S-1900	Plug	3	IMS-180-C	Head	6
S-1908	Plug	3	IM-196	Valve	6
S-1918	Plug	8	IM-197	Valve	6
S-1921	Plug	8	IK-198	Spring	12
S-1922	Plug	1	IB-200-A	Lock	24
S-2533	Plug	1	IH-199	Retainer	12
IM-102-B	Cap	4	IH-188	Guard	6
IH-104	Cap Screw	1	IH-194	Seal	6
920085	Lock Washer	4			
IM-106-B	Cap	4	IMS-B-180-C	HEAD With Valves Assembly	1
IK-110	Plug	1	IMS-180-C	Head	6
IK-144	Washer	1	IH-188	Guard	6
IK-145	Cover	1	IH-194	Gasket	6
S-2580	Cap Screw	1	IM-196	Valve	6
IK-146	Gasket	6	IM-197	Valve	6
IHR-155	Bushing	6	IK-198	Spring	6
IKSR-242	Sleeve	6	IK-198-A	Spring	6
			IH-199	Retainer	6
			IK-199	Rotator	6
			IB-200-A	Lock	24
IMS-B-178	SLEEVE AND PISTON Replacement Pkg.				
IMS-A-178	Sleeve and Piston Package	6	IMS-C-180-C	HEAD With Valves Assembly	1
			IMS-180-C	Head	6
IMS-B-178-A	SLEEVE AND PISTON Replacement Pkg.		IH-188	Guard	6
IMS-A-178-A	Sleeve and Piston Package	6	IH-194	Gasket	6
			IM-196	Valve	6
IMS-B-178-B	SLEEVE AND PISTON Replacement Pkg.		IM-197	Valve	6
IMS-A-178-B	Sleeve and Piston Package	6	IK-A-198	Valve	6
			IK-198	Spring	6
IMS-B-178-C	SLEEVE AND PISTON Replacement Pkg.		IH-199	Retainer	6
IMS-A-178-C	Sleeve and Piston Package	6	IK-199	Rotator	6
			IB-200-A	Lock	24
IMS-A-180-A	HEAD With Valves Assembly				
IMS-180-A	Head	1	IMS-A-180-D	HEAD With Valves Assembly	1
IM-196-A	Valve	6	IMS-180-D	Head	6
IM-197-A	Valve	6	IH-188	Guard	6
IK-198	Spring	6	IH-194	Gasket	6
IB-200-A	Lock	12	IK-196	Valve	6
IH-199	Retainer	24	IK-197	Valve	6
IH-188	Guard	12	IK-198	Spring	6
IH-194	Seal	6	IK-198-A	Spring	6
IMS-1732	Body	6	IH-199	Retainer	6
IM-1735	Cap	6	IK-199	Rotator	6
IM-1731	Spacer	6	IB-200-A	Lock	24
IM-1734	Plug	6			

## DETAILS OF ASSEMBLY

Part Number	Description	No. Req.	Part Number	Description	No. Req.
IMS-A-180-H	HEAD With Valves Assembly		IMS-B-204-A	SHAFT With Rocker Arms	6
IMS-180-H	Head	1	IM-203	Support	1
IH-188	Guard	6	IMS-204-A	Shaft	6
IH-194	Gasket	6	IKS-206-B	Arm	6
IM-196-B	Valve	6	IKS-206-C	Arm	6
IM-197-C	Valve	6	IK-210	Spring	4
IK-198	Spring	12	IH-211	Washer	12
IH-199	Retainer	12	IH-213	Cotter Pin	4
IB-200-A	Lock	24			
IM-1731	Spacer	6	IMS-C-204-A	SHAFT With Rocker Arms	6
IMS-1732	Cell Body	6	IM-203	Support	1
IM-1734	Plug	6	IMS-204-A	Shaft	6
IM-1735	Cap	6	IKS-206-D	Arm	6
			IKS-206-E	Arm	6
IMSE-181	GASKET SET	1	IK-210	Spring	4
IH-139	Gasket	1	IK-211	Washer	4
IM-166	Gasket	1	IH-213	Cotter Pin	4
IM-181-C	Gasket	1			
IM-192	Gasket	1	IMS-A-204-B	SHAFT With Rocker Arms	6
IK-387	Gasket	1	IM-203-B	Support	1
IK-422	Gasket	6	IMS-204-A	Shaft	6
IM-426-A	Gasket	3	IKS-206-E	Arm	6
			IKS-206-D	Arm	6
IMS-A-181-B	GASKET SET	1	IK-210	Spring	4
IH-139	Gasket	1	IH-211	Washer	4
IM-166	Gasket	1	IH-213	Cotter Pin	4
IM-181-C	Gasket	1			
IM-192	Gasket	1	IMS-B-204-B	SHAFT With Rocker Arms	6
IK-387	Gasket	1	IM-203-B	Support	1
IM-422-A	Gasket	2	IMS-204-A	Shaft	6
IM-422-B	Gasket	1	IKS-206-D	Arm	6
			IKS-206-E	Arm	6
IMS-A-181-C	GASKET SET	1	IK-210	Spring	4
IH-139	Gasket	1	IH-211	Washer	4
IM-166	Gasket	1	IH-213	Cotter Pin	4
IM-181-B	Gasket	1			
IM-192	Gasket	1	IKS-206	ROCKER ARM Assembly	1
IK-387	Gasket	1	IB-205-A	Screw	1
IK-A-422	Gasket	6	IK-206	Arm	1
IM-426-A	Gasket	3	IB-208-A	Nut	1
			IH-213-A	Wick	1
			IH-214	Bushing	1
IMS-A-204	SHAFT With Rocker Arms				
IMS-204	Shaft	1	IKS-206-A	ROCKER ARM Assembly	1
IKS-206	Arm	6	IB-205-A	Screw	1
IKS-206-A	Arm	6	IK-206	Arm	1
IK-210	Spring	4	IB-208-A	Nut	1
IH-211	Washer	4	IH-213-A	Wick	1
IH-213	Cotter Pin	4	IH-214	Bushing	1
IM-203	Support	6			
			IKS-206-B	ROCKER ARM Assembly	1
IMS-B-204	SHAFT With Rocker Arms		IK-205	Screw	1
IMS-204	Shaft	1	915085	Nut	1
IKS-206	Arm	6	IK-206-B	Arm	1
IKS-206-A	Arm	6			
IK-210	Spring	4	IKS-206-C	ROCKER ARM Assembly	1
IH-211	Washer	4	IK-205	Screw	1
IH-213	Cotter Pin	4	915085	Nut	1
IM-203	Support	6	IK-206-C	Arm	1
IMS-A-204-A	SHAFT With Rocker Arms		IKS-206-D	ROCKER ARM Assembly	1
IM-203	Support	6	IK-205	Screw	1
IKS-204-A	Shaft	1	915085	Nut	1
IKS-206-B	Arm	6	IK-206-D	Arm	1
IKS-206-C	Arm	6			
IK-210	Spring	4			
IH-211	Washer	4			
IH-213	Cotter Pin	4			
IM-211	Washer	4			
IH-213	Cotter Pin	4			
IM-213	Support	4			
IMS-A-204-A	SHAFT With Rocker Arms				
IM-203	Support	6			
IKS-204-A	Shaft	1			
IKS-206-B	Arm	6			
IKS-206-C	Arm	6			
IK-210	Spring	4			
IH-211	Washer	4			
IH-213	Cotter Pin	4			
IM-211	Washer	4			
IH-213	Cotter Pin	4			



## DETAILS OF ASSEMBLY

Part Number	Description	No. Req.	Part Number	Description	No. Req.
IKS-206-E	ROCKER ARM Assembly	1	IKS-292	GAUGE, Oil Level	1
IK-205	Screw	1	IK-292	Gauge	1
915085	Nut	1	IH-294	Washer	1
IK-206-E	Arm	1	IH-295	Nut	1
IMS-216	CONNECTING ROD Assembly	1	IH-297	Cap	1
IM-216	Rod	2	IH-298	Gasket	1
IH-219-A	Bolt	2	IMS-327	PUMP, Oil - Less Screen	1
IH-220	Nut	2	IK-328	Body	1
IH-221	Shim	2	IK-330	Shaft	1
IK-230	Bushing	2	IK-331	Gear	1
IMS-216	CONNECTING ROD Assembly	1	IK-332	Vane	2
IM-216	Rod	2	IM-333	Cover	1
IH-219-A	Bolt	2	IH-335	Pin	1
IH-220	Nut	2	IH-336	Spring	1
IK-230	Bushing	2	908315	Cap Screw	4
IMS-216-A	CONNECTING ROD Assembly	1	920082	Lock Washer	4
IM-216-A	Rod	2	IMS-327	PUMP, Oil - With Screen	1
IK-219	Bolt	2	IKS-338	Pump	1
IH-220	Nut	2	932017	Screen	1
IK-230	Bushing	2	IKSA-370-A	Cotter Pin	1
IKS-245	CABLE SET, Ignition	2	IC-348	PULLEY Assembly	3
IK-245	Cable	2	IK-370-A	Washer	1
IH-245-A	Cable	2	IK-371	Pulley	1
IH-246	Cable	2	IE-597	Pulley	1
IKS-250	HOUSING And Bushing Assembly,	1	920081	Pin	2
IK-250	Governor	1	908299	Lock Washer	3
IK-252	Housing	1	IMS-399-A	Cap Screw	3
IB-283-A	Bushing	1	IKS-5500-A	FILTER, Oil	1
IH-275	Bushing	2	IB-5505-B	Base and Tubes	2
IB-288-A	Screw	1	IM-5507	Gasket	2
IB-291-A	Spring	1	IK-5520	Element	2
915000	Nut	1	IKS-5521	Bar	2
S-2531	Plug	1	IB-5519-B	Rod and Nut	4
S-2532	Plug	1	IMS-399-C	Transfer	2
S-2530	Plug	1	IKS-5500-C	FILTER, Oil	1
IKSB-250	HOUSING And Operating Lever,	1	IB-3505-B	Base and Tube	1
IKS-250	Governor	1	IM-5507	Gasket	1
IKS-266	Housing	1	IK-5519	Element	1
IH-275	Lever	1	IMSR-406-C	Transfer	1
IB-286-A	Screw	1	IMS-406-C	AIR CLEANER Package	1
IB-291-A	Spring	1	IK-183	Cleaner	2
915000	Nut	1	IM-397	Cap Screw	2
S-2531	Plug	1	920085	Spacer	2
S-2532	Plug	1	915115	Lock Washer	2
S-2530	Plug	1	IMS-415	Nut	2
IKSA-251-A	SHAFT Complete, Governor	1	IM-415	MANIFOLD - Complete	1
IK-241	Gear	1	IM-425	Manifold	1
IK-251	Shaft	1	IK-426	Manifold	1
S-2983	Key	1	908332	Gasket	1
IKS-260	Carrier	1	920083	Cap Screw	4
IKS-261-B	Spool Assembly	1	S-1921	Lock Washer	4
IK-270	Snap Ring	1	IMS-415-A	Plug	1
IKS-260	WEIGHTS And Carrier, Governor	1	IM-415	MANIFOLD - Complete	1
IK-260	Carrier	1	IM-425-E	Manifold	1
IK-262	Weight	2	908332	Manifold	1
IB-283-B	Pin	2	920083	Cap Screw	4
IKS-261-B	SPOOL, Bearing And Washer, Governor	1	S-1921	Lock Washer	4
IK-261-B	Spool	1	IK-426	Plug	1
IK-276-B	Washer	1		Gasket	1
IKS-5001-B	Bearing	1			

SECTION XII  
GENERAL INFORMATION

77 PARTS BOOK

DETAILS OF ASSEMBLY

Part Number	Description	No. Req.	Part Number	Description	No. Req.	
IMS-415-B	MANIFOLD - Complete Manifold Washer Valve Bushing Shaft Manifold Gasket Stud Stud Stud Nut Groovy-Pin Set Screw Nut Nut	1	IMS-499	Continued	2	
IM-415-B		6	IH-305-A	Gasket	1	
IK-416-D		1	IH-354	Gasket	1	
IK-417		1	IH-384	Gasket	1	
IH-418		1	IK-387	Gasket	1	
IK-419		1	IB-396	Gasket	1	
IMS-425-B		1	IK-400	Gasket	1	
IM-426-B		1	IM-422	Gasket	9	
IK-428-B		5	IK-426	Gasket	1	
IK-428-C		1	IK-477	Gasket	1	
IK-430	8	IA-526	Gasket	1		
IH-432	6	IC-5904	Gasket	1		
932284	1	IB-5505-B	Gasket	1		
S-1172	1	IK-7329	Gasket	1		
S-825	1	IH-7655	Gasket	1		
S-890	10					
IMS-415-C	MANIFOLD - Complete Manifold Washer Valve Bushing Pin Shaft Set Screw Nut Manifold Gasket Stud Stud Nut Stud Nut	1	IMS-499-A	GASKET And Oil Seal Set	1	
IK-416-E		6	IK-113	Gasket	1	
IK-417		1	7K-123	Felt	1	
IH-418		1	IK-126	Seal	1	
932284		1	IKS-129	Seal	1	
IK-419		1	IK-130	Gasket	1	
S-1172		1	IH-139	Gasket	1	
S-825		1	IM-166	Gasket	1	
IMS-425-D		1	IM-168	Gasket	1	
IM-426-C		1	IMA-181	Gasket	1	
IK-428-D	5	IM-192	Gasket	1		
IK-428-E	1	IH-194	Gasket	1		
S-893	6	IH-213-A	Wick	12		
IK-430	8	IK-254	Gasket	1		
S-890	4	IH-275	Seal	1		
IMS-422	GASKET SET, Manifold Gasket Gasket Gasket	1	IH-298	Gasket	1	
IB-396		9	IF-305-A	Gasket	2	
IMA-422		1	IH-354	Gasket	1	
IK-426		1	IH-387	Gasket	1	
IMS-422-A		1	IK-387	Gasket	1	
IB-396		2	IB-396	Gasket	1	
IM-422-A		1	IK-400	Gasket	1	
IM-422-B		1	IM-422-A	Gasket	1	
IM-426-C		1	IM-422-B	Gasket	2	
IMS-422-B		6	IM-426-B	Gasket	1	
IK-A-422	3	IK-477	Gasket	1		
IM-426-A	1	IA-526	Gasket	1		
IK-1757	1	IJ-5304	Gasket	1		
IMS-425-B	MANIFOLD, Assembly, Intake Manifold Plug	1	IB-5505-B	Gasket	1	
IM-425-B		1	IK-7329	Gasket	1	
S-2529		1	IH-7655	Gasket	1	
IMS-425-D		MANIFOLD Assembly, Intake Manifold Plug	1	IMS-499-B	GASKET And Oil Seal Set	1
IM-425-D			1	IK-113-A	Gasket	1
S-2529			2	IK-114	Gasket	1
IMS-499			1	7K-123	Felt	1
IK-113			1	IK-126	Seal	1
7K-123			1	IKS-129	Seal	1
IK-126			1	IK-130	Gasket	1
IKS-129	1		IH-139	Gasket	1	
IK-130	1		IM-166	Gasket	1	
IH-139	1		IM-168	Gasket	1	
IM-166	1	IH-168	Gasket	1		
IH-168	1	IMA-181-A	Gasket	1		
IMA-181	1	IM-192	Gasket	1		
IM-192	1	IH-194	Gasket	1		
IH-194	1	IH-213-A	Wick	6		
IM-192	1	IH-298	Wick	12		
IH-194	1	IH-305-A	Gasket	1		
IM-192	1	IH-354	Gasket	1		
IH-194	1	IH-384	Gasket	1		
IM-192	1	IK-387	Gasket	1		
IH-194	1	IK-400-A	Gasket	1		
IM-192	1	IK-422	Gasket	1		
IH-194	1	IM-426-A	Gasket	6		
IM-192	1	IK-471	Gasket	3		
IH-194	1	IK-477	Gasket	1		
IM-192	1	IK-479	Gasket	1		
IH-194	1	IA-526	Gasket	1		
IM-192	1					

## DETAILS OF ASSEMBLY

Part Number	Description	No. Req.	Part Number	Description	No. Req.
IMS-499-B	Continued		IMS-513-G	RADIATOR Package	
IK-1742	Gasket	1	IK-528-E	Radiator Gauge	1
IK-1757	Gasket	1	119124	Cap	1
IK-1758	Gasket	1			1
IK-5304	Gasket	1	IKS-569	COVER - Complete, Clutch	3
IK-5304-A	Gasket	1	IBS-553-B	Eyebolt and Nut	1
IK-5356-A	Gasket	1	IK-555	Plate	9
IB-5505-B	Gasket	2	IB-559-A	Spring	3
			IB-560	Spring	3
IMS-499-C	GASKET And Oil Seal Set		IB-565	Pin	3
IK-113	Gasket	1	IK-568	Lever	3
7K-123	Felt	1	IK-589	Cover	1
IK-126	Seal	1	IB-570	Strut	3
IKS-129	Seal	1			
IK-130	Gasket	1	IKAS-569	COVER - Complete, Clutch	3
IF-139	Gasket	1	IBS-553-B	Eyebolt and Nut	1
IM-166	Gasket	1	IKR-355	Plate	9
IF-168	Gasket	1	IB-559-A	Spring	6
IM-181-C	Gasket	1	IM-559-A	Spring	3
IM-192	Gasket	1	IB-560	Spring	3
IF-194	Gasket	6	IB-565	Pin	3
IK-254	Gasket	1	IB-568	Lever	3
IF-275	Seal	1	IK-569	Cover	1
IF-298	Gasket	1	IB-570	Strut	3
IF-305-A	Gasket	1			
IM-354	Gasket	1	IMS-569	COVER - Complete, Clutch	3
IM-384	Gasket	1	IBS-553-A	Eyebolt and Nut	1
IK-387	Gasket	1	IB-555-A	Plate	9
IK-387	Gasket	1	IM-559	Spring	3
IB-396	Gasket	1	IB-560	Spring	3
IK-400	Gasket	1	IB-565	Pin	3
IMA-422	Gasket	9	IM-568	Lever	3
IK-426	Gasket	1	IB-569-A	Cover	1
IK-477	Gasket	1	IB-570	Strut	3
IA-526	Gasket	1			
IC-5304	Gasket	1	IMAS-569	COVER Assembly, Clutch	1
IB-5505-B	Gasket	1	IM-555-A	Plate	3
IK-7329	Gasket	1	IM-559-C	Spring	3
IK-7655	Gasket	1	IK-560-A	Clip	3
			IM-565	Pin	3
IMS-499-D	GASKET And Oil Seal Set		IM-569	Cover	1
IK-113-A	Gasket	1	IM-570	Washer	3
IK-114	Gasket	1	IM-571	Screw	3
7K-123	Felt	1	915084	Nut	3
IK-126	Seal	1			
IKS-129	Seal	1	1MBS-569	COVER Assembly, Clutch	3
IK-130	Gasket	1	IBS-553-A	Eyebolt and Nut	1
IF-139	Gasket	1	IB-555-A	Plate	9
IM-166	Gasket	1	IM-559	Spring	3
IF-168	Gasket	1	IL-559-A	Spring	6
IM-181-B	Gasket	1	IB-560	Spring	3
IM-192	Gasket	6	IB-565	Pin	3
IF-194	Gasket	1	IM-568	Lever	3
IF-298	Gasket	1	IM-569	Cover	1
IF-305-A	Gasket	1	IM-570	Washer	3
IM-354	Gasket	1	IM-571	Screw	3
IM-384	Gasket	1	915084	Nut	3
IK-387	Gasket	1			
IK-400-A	Gasket	1	1MBS-569	COVER Assembly, Clutch	3
IK-422	Gasket	6	IBS-553-A	Eyebolt and Nut	1
IM-426-A	Gasket	3	IB-555-A	Plate	9
IK-471	Gasket	1	IM-559	Spring	3
IK-477	Gasket	1	IL-559-A	Spring	6
IA-526	Gasket	1	IB-560	Spring	3
IK-1742	Gasket	1	IB-565	Pin	3
IK-1757	Gasket	1	IM-568	Lever	3
IK-1758	Gasket	1	IM-569	Cover	1
IC-5304	Gasket	1	IM-570	Washer	3
IK-5304-A	Gasket	1	IM-571	Screw	3
IL-5356	Gasket	1	915084	Nut	3
IL-5384	Gasket	1			
IB-5505-B	Gasket	2	1MBS-569	COVER Assembly, Clutch	3
			IBS-553-A	Eyebolt and Nut	1
			IB-555-A	Plate	9
			IM-559	Spring	3
			IL-559-A	Spring	6
			IB-560	Spring	3
			IB-565	Pin	3
			IM-568	Lever	3
			IB-569-A	Cover	1
			IB-570	Strut	3
			IKSR-579-A	SHAFT And Ball Bearing Pilot Package, Clutch	6
			IK-136-A	Boat	1
			IK-579-A	Shaft	1
			IKS-633-A	Hub	1

## DETAILS OF ASSEMBLY

Part Number	Description	No. Req.	Part Number	Description	No. Req.
1MS-596	FRAME With Pivot Pins, Rear Main	1	1MSR-596-H	Continued	1
1M-596	Frame	1	1M-1119-A	Pedal	1
1H-902	Pin	2	1M-1120-A	Pedal	2
1H-1122	Pin	2	932045	Cotter Pin	2
1K-1124	Pin	2	1KS-1121-C	Latch	2
1K-1124-A	Pin	2	908321	Cap Screw	2
1MS-596-A	FRAME With Pivot Pins, Rear Main	1	1K-1124-B	Pin	1
1M-596-A	Frame	3	1K-1124-C	Pin	1
1H-902	Pin	2	1MS-1125-C	Rod	2
1H-1122	Pin	2	S-1365	Pin	3
1MS-596-B	FRAME With Pivot Pins, Rear Main	1	932008	Cotter Pin	3
1M-596-A	Frame	1	932122	Pin	3
1H-902	Pin	1	1M-1413-A	Lever	1
1M-902-A	Pin	1	1M-1413-B	Lever	1
1K-918	Pin	1	1M-1430-B	Bar	1
1M-902-A	Pin	1	1K-1431	Pin	1
1K-918	Pin	1	932008	Cotter Pin	1
1MS-596-C	FRAME With Pivot Pins, Rear Main	1	1KSR-2600-A	Brake	2
1M-596-B	Frame	3	1K-2615	Rod	2
1H-902	Pin	2	932124	Pin	2
1K-918	Pin	2	932016	Cotter Pin	2
1H-1122	Pin	2	1K-2617	Nut	2
1MSR-596-C	FRAME Replacement Package, Rear Main	1	915087	Nut	2
1MS-596-C	Frame	1	1MS-596-J	FRAME With Pivot Pins, Rear Main	1
1MSA-774-D	Brake Package	1	1M-596-D	Frame	1
1MS-596-D	FRAME With Pivot Pins, Rear Main	1	1M-902	Pin	1
1M-596-B	Frame	1	1MAS-596-J	FRAME Repair Package	1
1H-902	Pin	1	1MAS-598-J	Extension	2
1M-902-A	Pin	1	S-1185	Set Screw	4
1K-918	Pin	2	1MR-646	Spindle	2
1MS-596-D	FRAME Replacement Package, Rear Main	1	1KR-647	Washer	2
1MSA-774-D	Brake Package	1	S-2051	Nut	2
1MS-596-E	FRAME With Pivot Pins, Rear Main	1	1KS-899-A	Rod	1
1M-596-C	Frame	1	932017	Cotter Pin	1
1H-902	Pin	1	1K-901	Pin	2
1H-1122	Pin	2	1MR-902-C	Pin	1
1MS-596-F	FRAME With Pivot Pins, Rear Main	1	1M-904-B	Clip	2
1M-596-C	Frame	1	1M-906-A	Link	1
1M-902	Pin	1	932016	Cotter Pin	2
1MS-596-H	FRAME With Pivot Pins, Rear Main	1	1MR-939-A	Spacer	1
1M-596-D	Frame	1	1M-1104	Housing	2
1H-902	Pin	1	1M-1110	Seal	2
1H-1122	Pin	2	1K-1112-A	Cover	2
1MS-596-H	FRAME Replacement Package	1	908358	Cap Screw	2
1MAS-596-H	Frame	2	920085	Lock Washer	5
1MR-645	Pinion	4	1K-1119-B	Stud	4
S-1185	Set Screw	2	1MS-1119-B	Stud	10
1MR-646	Spindle	2	932037	Cotter Pin	2
1KR-647	Washer	2	1MS-1120-B	Pedal	1
1KS-899-A	Nut	2	S-1371	Pin	1
932017	Rod	1	1MS-1121-A	Latch	2
1K-901	Cotter Pin	1	920015	Washer	1
1M-1104	Pin	1	932008	Cotter Pin	2
1M-1110	Seal	2	1M-1122-A	Cap Screw	1
1K-1112-A	Cover	2	1M-1125-B	Link	2
908358	Cap Screw	2	932016	Cotter Pin	4
920085	Lock Washer	6	1M-1419-C	Pin	1
1K-1112-A	Stud	10	1M-1419-D	Lever	1
1M-1110	Seal	2	1M-1417	Clip	1
1K-1112-A	Cover	2	1MS-1421-A	Shaft	1
908358	Cap Screw	6	1M-1423	Bracket	1
920085	Lock Washer	6	908345	Cap Screw	2
1K-1115-B	Stud	10	920084	Lock Washer	2
			1H-1507	Spring	2
			1KSR-2600-A	Brake	2
			1K-2615	Rod	2



## DETAILS OF ASSEMBLY

Part Number	Description	No. Req.	Part Number	Description	No. Req.
IKSA-712-P	AXLE Assembly	1	IKS-724-G	TIE ROD, Steering Knuckle	1
IKS-712-P	Axle	2	IKS-1160	Socket	1
IK-714-C	Hub	2	IKS-1161-D	Socket	1
IK-720-B	Pin	2	IK-6958-A	Tie Rod	1
IK-720-A	Pin	4	IK-6959	Clamp	1
IKS-5038	Bearing	2	IK-6960	Bolt	1
IKS-5039	Bearing	2	S-261	Lock Washer	1
S-1379	Pin	4	915001	Nut	1
IMS-712	AXLE With Steering Knuckles, Front	1	IK-6961	Clamp	1
IF-712	Axle	1	908484	Cap Screw	1
IKS-713	Knuckle	1	920083	Lock Washer	1
IKS-714	Knuckle	1	915002	Nut	1
IF-727	Pivot	2	IKS-724-H	TIE ROD, Steering Knuckle	1
939001	Washer	4	IKS-1160	Socket	1
935020	Fitting	2	IKS-1161	Socket	1
932022	Plug	4	IK-6958-E	Rod	1
S-684	Cotter Pin	4	IK-6959-A	Clamp	2
	Rivet	2	IK-6960-A	Bolt	2
			920083	Lock Washer	2
			915002	Nut	2
IKS-724-B	TIE ROD, Steering Knuckle	1	IMS-724	TIE ROD, Steering Knuckle	1
IKS-1160	Socket	1	IKS-1160	Socket	1
IKS-1161	Socket	1	IKS-1161	Socket	1
IK-6958-B	Rod	2	IK-6957	Cover	2
IK-6959	Clamp	2	IM-6958	Rod	1
IK-6960	Bolt	2	IK-6959	Clamp	2
S-261	Lock Washer	2	IK-6960	Clamp	2
915001	Nut	2	S-261	Bolt	2
			920082	Lock Washer	2
IKS-724-C	TIE ROD, Steering Knuckle	1	915001	Nut	2
IKS-1160-A	Socket	1	IMS-724	TIE ROD, Steering Knuckle	1
IKS-1161-A	Socket	1	IKS-1160	Socket	1
IK-6958-A	Rod	1	IKS-1161	Socket	1
IK-6959	Clamp	1	IK-6957	Cover	2
IK-6960	Bolt	1	IM-6958	Rod	1
IK-6961	Clamp	1	IK-6959	Clamp	2
915002	Nut	1	IK-6960	Clamp	2
920083	Lock Washer	1	S-261	Bolt	2
S-261	Lock Washer	1	915001	Lock Washer	2
915001	Nut	1	915001	Nut	2
908484	Cap Screw	1	915638	Nut	2
IKS-724-D	TIE ROD, Steering Knuckle	1	IKS-750-A	GEAR Assembly	1
IK-724-D	Tie Rod	1	IKSA-6750-A	Cover	1
IAS-1160-A	Socket	1	IKS-6751	Plug	1
IKS-1161-B	Socket	1	ID-6753	Cover	1
915009	Nut	1	ID-6754	Shim	5
S-829	Nut	1	ID-6755	Shim	1
932020	Cotter Pin	2	ID-6755-A	Shim	1
			ID-6757	Gasket	1
IKS-1160	TIE ROD, Steering Knuckle	1	IKS-6758	Shaft	1
IKS-1161-C	Socket	1	IK-6764	Nut	1
IK-6958-A	Tie Rod	1	IK-6765	Ring	1
IK-6959	Clamp	1	IKS-6767	Worm	2
IK-6960	Bolt	1	ID-6769	Bearing	1
S-261	Lock Washer	1	ID-6771	Cup	2
915001	Nut	1	IF-6774	Nut	1
IK-6961	Clamp	1	IF-6775	Lock Washer	1
908484	Cap Screw	1	ID-6784	Seal	1
920083	Lock Washer	1	IK-6803	Seal	1
915002	Nut	1			
IKS-724-E	TIE ROD, Steering Knuckle	1			
IKS-1160	Socket	1			
IKS-1161-C	Socket	1			
IK-6958-A	Tie Rod	1			
IK-6959	Clamp	1			
IK-6960	Bolt	1			
S-261	Lock Washer	1			
915001	Nut	1			
IK-6961	Clamp	1			
908484	Cap Screw	1			
920083	Lock Washer	1			
915002	Nut	1			
IKS-724-F	TIE ROD, Steering Knuckle	1			
IKS-1160	Socket	1			
IKS-1161	Socket	1			
IK-6958-C	Tie Rod	1			
IK-6959	Clamp	2			
IK-6960	Bolt	2			
S-261	Lock Washer	2			
915001	Nut	2			

## DETAILS OF ASSEMBLY

Part Number	Description	No. Req.	Part Number	Description	No. Req.		
IKS-750-B	GEAR Assembly, Steering Housing Plug Cover Cap Screw Lock Washer Cover Cap Screw Lock Washer Gasket Gear Adjuster Nut Shaft Bearing Cup Nut Lock Washer Packing Sedl Adjuster Flatrtnr Shim Shim Shim Shim Gasket	1	IKSR-762-B	BEARING Package, Self Aligning Support Bearing Lock Washer Plain Washer Nut Cap Screw Cap Screw  BRAKE Change-Over Package Band Eccentric Cover Plate Pivot Stud Lock Washer Nut Latch Cap Screw Nut  BRAKE Change-Over Package Band Eccentric Pin Pivot Guide Screw Lock Washer Plug Cover Plate Pivot Stud Lock Washer Nut  BRAKE Change-Over Package Band Eccentric Cover Cap Screw Lock Washer Plate Pivot Stud Lock Washer Nut  BRAKE Change-Over Package Band Eccentric Cover Cap Screw Lock Washer Plate Pivot Stud Lock Washer Nut  STRAINER, Fuel Body Bowl Cup and Nut Gasket Bail Screen Valve  STRAINER, Fuel Body Bowl Cup Gasket Bail Screen Valve	2		
IKS-6750-E		1	IK-762-B		1		
IA-6753-A		1	IK-763		1		
S-1073		1	920083		1		
920084		4	920009		4		
IAS-6756-A		4	915113		4		
908330		1	908333		1		
920083		3	908331		3		
IA-6757-A		1	IMS-A-774-D		1		
IA-6758-A		1	IMS-774-E		1		
IA-6763-A		1	IK-776-E		1		
915086		1	IKS-1104-C		1		
IKSA-6767-A		1	IKS-1105		1		
IA-6769		1	IK-1108		1		
IA-6770		1	IK-1115		1		
IA-6774-A		1	920083		1		
IA-6775-A		1	915002		1		
IK-6784		1	IKS-1121-C		1		
IK-6803-A		1	S-3124		1		
IA-6817		1	915266		1		
IA-6818	1	IMS-R-774-D	1				
IA-6822	1	IMS-774-E	1				
IA-6822-A	Req.	IK-776-D	Req.				
IA-6822-B	Req.	IK-777-B	Req.				
IA-6822-C	Req.	IK-778-A	Req.				
IA-6823	1	IK-963	1				
IKS-750-B	GEAR Conversion Package, Saginaw Bolster Pivot Pin Cotter Pin Axle Rivet Gear Cap Screw Cap Screw Lock Washer Stay Rod Lock Washer Nut Shaft Joint Cap Screw Arm	1	IMS-A-774-D	BRAKE Change-Over Package Band Eccentric Pin Pivot Guide Screw Lock Washer Plug Cover Plate Pivot Stud Lock Washer Nut  BRAKE Change-Over Package Band Eccentric Cover Cap Screw Lock Washer Plate Pivot Stud Lock Washer Nut  BRAKE Change-Over Package Band Eccentric Cover Cap Screw Lock Washer Plate Pivot Stud Lock Washer Nut  STRAINER, Fuel Body Bowl Cup and Nut Gasket Bail Screen Valve  STRAINER, Fuel Body Bowl Cup Gasket Bail Screen Valve	2		
IK-501-C		1	IK-966		1		
IK-502-C		1	IKS-1104-C		1		
IK-503		1	IKS-1105		1		
932008		1	IK-1108		1		
IKRS-712-F		1	IK-1115		1		
923140		1	920083		1		
IKS-750-B		2	915002		2		
S-3150		2	IMS-A-774-D		2		
908366		2	IMS-774-E		2		
920085		3	IK-776-D		3		
IKS-741-D		1	IK-777-B		1		
920097		2	IK-778-A		2		
915011		2	IK-963		2		
IKAS-753-E		1	S-245		1		
IK-A-758		1	IK-966		1		
908336		1	IKS-1104-C		1		
IK-6772		1	IKS-1105		1		
IKS-750-C		GEAR Assembly, Steering Housing Plug Cover Cap Screw Lock Washer Cover Cap Screw Lock Washer Gasket Gear Adjuster Nut Shaft Bearing Cup Nut Lock Washer Packing Sedl Adjuster Flatrtnr Shim Shim Shim Shim Gasket	1		IMS-A-774-D	BRAKE Change-Over Package Band Eccentric Cover Cap Screw Lock Washer Plate Pivot Stud Lock Washer Nut  BRAKE Change-Over Package Band Eccentric Cover Cap Screw Lock Washer Plate Pivot Stud Lock Washer Nut  BRAKE Change-Over Package Band Eccentric Cover Cap Screw Lock Washer Plate Pivot Stud Lock Washer Nut  STRAINER, Fuel Body Bowl Cup and Nut Gasket Bail Screen Valve  STRAINER, Fuel Body Bowl Cup Gasket Bail Screen Valve	2
IKS-6750-B			1		IMS-774-E		1
IA-6753-A	1		IK-776-D	1			
S-1073	4		IK-777-B	4			
920084	4		IK-778-A	4			
IAS-6756-A	3		IK-963	3			
908330	3		S-245	3			
IA-6757-A	1		IK-966	1			
IK-6758-B	1		IKS-1104-C	1			
IA-6763-A	1		IKS-1105	1			
915086	1		IK-1108	1			
IA-6765-A	1		IK-1115	1			
IKSA-6767-B	1		920083	1			
IA-6769	1		915002	1			
IA-6770	1		IMS-A-774-D	1			
IA-6774-A	1		IMS-774-E	1			
IA-6775-A	1		IK-776-D	1			
IK-6784	1		IK-777-B	1			
IK-6803-A	1		IK-778-A	1			
IA-6817	1		IK-963	1			
IA-6818	1	S-245	1				
IA-6822	1	IK-966	1				
IA-6822-A	Req.	IKS-1104-C	Req.				
IA-6822-B	Req.	IKS-1105	Req.				
IA-6822-C	Req.	IK-1108	Req.				
IA-6823	1	IK-1115	1				

## DETAILS OF ASSEMBLY

Part Number	Description	No. Req.	Part Number	Description	No. Req.
IKS-841	FILTER, Fuel	1	IKS-949-A	Continued	1
IKS-5351	Cartridge and Gasket	1	IK-1872	Rail	4
IK-5353	Body	1	908330	Cap Screw	1
IK-5354	Ring	1	920087	Lock Washer	1
IK-5355	Head	2	915153	Nut	4
IK-5357	Plug	1	920156	Lock Washer	1
IK-5361	Spring	1	908315	Cap Screw	2
IK-5362	Retainer	4	915266	Nut	1
IK-5363	Cap Screw	4	S-1375	Pin	1
S-278	Lock Washer	4	IK-1873	Rail	1
IKS-841-A	STRAINER, Fuel	1	IKSA-949-C	SEAT Assembly - Complete	1
IKS-5300	Top and Valve	1	IKS-949-D	Seat	1
IB-5301	Bowl	1	IKSB-1851-A	Suspension	1
IK-5304-A	Gasket	1	IK-1869-A	Transfer	1
IKS-5305	Bail and Screw	1	IKSAR-949-C	SEAT Assembly Package	1
IKS-5307	Strainer	1	IKS-876-A	Box	1
ILS-841	FILTER, Fuel	1	IK-942	Bumper	1
ILA-5351	Cartridge	1	IKS-949-E	Support	1
IL-5353	Body	1	IKSA-949-C	Seat	1
IL-5355	Head	1	S-1375	Pin	2
IL-5356	Gasket	2	IMS-1100	SHAFT And Drive Bevel Gear Assembly	1
IK-5357	Plug	1	IM-644	Gear	1
IL-5361	Spring	1	IMS-1100	Differential	6
IL-5362	Retainer	1	S-632	Rivet	4
IL-5363	Cap Screw	1	S-672	Rivet	4
IL-5364	Gasket	1	IMS-1100-A	SHAFT And Drive Bevel Gear Assembly	1
IL-5365	Gasket	1	IM-644-A	Gear	1
IL-5366	Gasket	1	IMS-1100	Differential	6
IKS-949	SEAT Assembly	1	S-677	Rivet	4
IK-949	Pan	1	S-678	Rivet	4
S-410	Bolt	2	IMS-1100-B	DIFFERENTIAL Assembly	1
920082	Lock Washer	4	IM-644-B	Gear	2
IK-1851	Support	1	IM-654	Gear	2
IK-1853	Plate	2	IM-1101	Pin	1
908314	Cap Screw	2	IMS-1100	Differential	1
IK-1854	Spring	2	IM-1102	Ring	2
IK-1855	Stud	2	S-669	Rivet	6
932815	Stud	1	S-689	Rivet	4
IK-1857	Shaft	2	IMS-1100-C	DIFFERENTIAL Assembly	1
920013	Washer	2	IM-644-C	Gear	2
S-1366	Groove-Pin	4	IM-654	Gear	2
IK-1858	Shaft	1	IMS-1100	Differential	1
IA-901	Pin	4	IM-1101	Pin	2
S-1437	Cotter Pin	4	IM-1102	Ring	2
IK-1860	Lever	4	S-671	Rivet	6
IK-1863	Sleeve	2	S-689	Rivet	4
IK-1864	Screw	1	DIFFERENTIAL Assembly		
IK-1866	Bushing	1	IMS-1100-D	DIFFERENTIAL Assembly	1
IK-1866	Bushing	1	IM-644-D	Gear	2
IK-1867	Bushing	1	IM-1102	Ring	2
IK-1869	Transfer	1	IM-1101	Pin	2
IKS-949-A	SEAT Assembly	1	IMS-1100	Differential	1
IK-949-A	Pan	1	IM-654	Gear	2
IK-952	Handle	1	S-669	Rivet	6
932016	Cotter Pin	1	S-689	Rivet	4
920009	Washer	1	IMS-1100-E	DIFFERENTIAL Assembly	1
IK-953	Latch	1	IM-644-E	Gear	2
IK-954	Spring	1	IM-654	Gear	2
IKS-1851-A	Support	1	IMS-1100-A	Differential	1
IK-1854-A	Spring	2	IM-1101	Pin	2
IKS-1855-A	Stud	2	IM-1102	Ring	2
932284	Groove-Pin	1	S-669	Rivet	6
IK-1857-A	Shaft	1	S-689	Rivet	4
IK-1858-A	Shaft	1	DIFFERENTIAL Assembly		
IKS-1860-A	Lever	1	IMS-1100-E	DIFFERENTIAL Assembly	1
IK-1869-A	Transfer	1	IM-644-B	Gear	2
IK-1870	Gear	2	IM-654	Gear	2
S-1375	Pin	2	IMS-1100-A	Differential	1
920087	Lock Washer	2	IM-1101	Pin	2
915153	Nut	2	IM-1102	Ring	2
IK-1871	Gear	1	S-669	Rivet	6
			S-689	Rivet	4



## DETAILS OF ASSEMBLY

Part Number	Description	No. Req.	Part Number	Description	No. Req.
IMS-1100-F	DIFFERENTIAL Assembly		IMS-1556	Continued	
IM-644-C	Gear	1	915667	Nut	2
IM-654	Gear	2	932119	Pin	1
IMS-1100-A	Differential	1	IK-273	End	1
IM-1101	Pin	2	IK-291	Spring	1
IM-1102	Ring	2	IK-883-G	Bar	1
S-671	Rivet	6	IKS-885	Guide	1
S-690	Rivet	4	IK-1014-G	Clamp	1
			IK-1014-J	Clamp	2
IMS-1100-G	DIFFERENTIAL Assembly		909039	Screw	1
IM-644-D	Gear	1	920080	Lock Washer	1
IM-654	Gear	2	915539	Nut	1
IMS-1100-A	Differential	1	1B-1381-A	Spring	1
IM-1101	Pin	2	1B-1507	Spring	1
IM-1102	Ring	2	IK-1552	Pedal	1
S-669	Rivet	6	IKS-1553-A	Fest	1
S-689	Rivet	4	908354	Cap Screw	2
IKS-1150-A	STEERING Conversion Package		920085	Lock Washer	2
IK-502-D	Pivot	1	908299	Cap Screw	2
IK-715-D	Arm	1	920081	Lock Washer	2
IK-717-D	Arm	1	915147	Nut	2
IKS-750-C	Gear	1	IMS-1556	Control	1
S-3150	Cap Screw	2	920005	Washer	1
908366	Cap Screw	1	IK-1559	Connector	1
920085	Lock Washer	1	IK-1560	Pin	1
IK-1150-A	Carrier	3	IK-1561	Pin	1
IKS-1161-D	Socket	1	IK-1569-A	Latch	2
IK-6772-A	Arm	2			1
IKSR-1150-A	STEERING Conversion Package		IKS-1650	CLUTCH Complete, Power Take-Off	1
IK-502-D	Pivot	1	IK-1651	Housing	1
IK-715-D	Arm	1	IKSA-1655	Plate and Lever	1
IK-717-D	Arm	1	IKS-1656	Plate and Facings	2
IKS-750-C	Gear	1	IK-1657	Plate	1
S-3150	Cap Screw	2	IK-1662	Link	3
908366	Cap Screw	1	IK-1663	Ring	6
920085	Lock Washer	1	IK-1664	Pin	3
IK-1150-A	Carrier	3	IK-1664-A	Pin	3
IKS-1161-A	Socket	1	IK-1665-A	Shim	3
IK-6772-A	Arm	2	IK-1666	Plate	3
IAS-1160-A	TIE ROD END		IKS-1667	Sleeve	1
ICA-6952	Spring	1	IKS-1671	Lock Washer	6
IC-6953-A	Plug	1	920082	Cap Screw	6
IA-6954-A	Socket	1	908464		
IC-6956	Plug	1	IKSA-1655	PLATE And Lever Assembly, Clutch	1
IC-6951	Seat	1	IKS-1655	Pressure	6
IKS-1161-B	TIE ROD END		IK-1659	Plate With Sleeve	3
IC-6951	Seat	1	IK-1660	Lever	1
IC-6952	End	1	IK-1661	Pin	3
IC-6953-A	Plug	1	IK-1663	Roller	3
IK-6955	Socket	1			
IC-6956	Plug	1	IKS-1667	PLATE, Power Take-Off Clutch Back	1
ICS-1510	ARM, Power Lift Trip - Front		IK-1667	Plate	1
1B-1510	Arm	1	IK-1668-B	Washer	1
IC-1511	Shaft	1	IK-1669	Plate	1
1B-1512	Pin	1	IK-1670	Ring	1
1B-1525	Roller	1			
1B-1526	Pin	1	IKS-1673	BEARING, Power Take-Off Release	1
IBS-1520-B	CARRIER, Roller and Pin, Power Lift		IK-1672	Bearing	1
1B-1520-B	Carrier	1	IK-1673	Bearing	1
1B-1523	Roller	1	915634	Nut	2
1B-1524-A	Pin	1	908634	Cap Screw	2
			939017	Fitting	1
IMS-1556	COMPLETE		IKS-1686	LEVER, Power Take-Off Clutch	1
IM-264-A	Rod	1	IK-1686	Lever	1
932000	Cotter Pin	1	IK-1687	Latch	1
IKS-265	Pin	1	IK-1688	Pin	1
920007	Washer	8	915113	Nut	1
1B-273	End	1	S-1358	Pin	1
			S-3092	Cap Screw	1

## DETAILS OF ASSEMBLY

Part Number	Description	No. Req.	Part Number	Description	No. Req.
<b>IKSR-1686-B</b>	<b>LEVER Change-Over Package, Power Take-Off</b>			<b>SUSPENSION, Assembly</b>	
1B-583	Key	2	IKSA-1851-A	Support	1
IK-1205-B	Cover	1	IK-1854-A	Rubber	2
IK-1681-B	Shaft	1	IKS-1855-B	Stud	1
IK-1682-A	Fork	1	S-1381	Pin	2
908333	Cap Screw	1	IK-1857-B	Shaft	2
920083	Lock Washer	2	IKS-1860-B	Lever	2
IK-1683-A	Pivot	2	IK-1865	Washer	2
IKS-1686-B	Lever	1	IK-1870	Gear	2
IK-1688-A	Bolt	1	IK-1871	Gear	1
920083	Lock Washer	1	S-1380	Pin	1
915085	Nut	1			2
IK-1689-A	Rod	1	<b>SUSPENSION Assembly</b>		
932000	Cotter Pin	1	IKSB-1851-A	Suspension	1
908336	Cap Screw	1	IKSA-1851-A	Roll	1
915236	Nut	1	IK-1872	Roll	1
932555	Pin	1	908332	Cap Screw	4
		1	920083	Lock Washer	4
		1	915113	Nut	4
		1	908315	Cap Screw	4
		1	915112	Nut	1
<b>IMSA-1702</b>	<b>INJECTION Tubing Set</b>			<b>HOUSING Repair Package, Reservoir</b>	
IMS-1702	Tube	1	IKSR-2002-C	Housing	1
IM-1703	Tube	1	IK-2002-C	Plug	4
IM-1704	Tube	1	IH-212	Gasket	1
IM-1705	Tube	1	IK-2039	Plug	1
IM-1706	Tube	1	IKR-2138	Palnut	1
IM-1707	Tube	1			1
S-1966	Sleeve	12			1
S-1996	Nut	12			1
<b>IMSA-1702-A</b>	<b>INJECTION Tubing Set</b>			<b>VALVE Assembly, Selector</b>	
IMS-1702-A	Tube	1	IKSA-2007	Body	1
IMS-1703-A	Tube	1	IK-2007	Plunger	1
IMS-1704-A	Tube	1	IK-2009	Seat	2
IMS-1705-A	Tube	1	IK-2010	Ball	2
IMS-1706-A	Tube	1	S-3735	Guide	2
IMS-1707-A	Tube	1	IK-2012	Spring	2
		1	IK-2011	Snap Ring	2
		1	IK-2030	Joint	1
		1	IK-2036	Washer	1
<b>IKS-1708-A</b>	<b>NOZZLE HOLDER</b>		IK-2034	Spring	1
IK-5876	Cap	1	IK-2033	Spool	2
IK-5877	Screw	1	IK-2008	"0" Ring	1
IK-5878	Nut	1	IK-2028	"0" Ring	2
IK-5879	Nut	1	IK-2027	Plug	1
IK-5880	Seat	1	S-1919	Snap Ring	1
IK-5881	Gasket	1	1B-1073	Valve	1
IK-5882	Spring	1	IKS-2024-B		1
IK-5883	Body	1			1
IK-5884	Seat	1			1
IK-5885	Nut	1			1
<b>IKS-1709-A</b>	<b>INJECTOR</b>			<b>VALVE Assembly, Selector</b>	
IKS-1708-A	Holder	1	IK-2007-A	Body	1
IK-1709	Nozzle	1	IK-2009	Plunger	1
		1	IK-2010	Seat	2
		1	S-3735	Ball	2
		1	IK-2012	Spring	2
		1	IK-2011	Guide	2
		1	IK-2030	Snap Ring	2
		1	IK-2036	Joint	1
		1	IK-2034	Washer	1
		1	IK-2033	Spring	1
		1	IK-2008	Spool	2
		1	IK-2028	"0" Ring	2
		1	IK-2027	"0" Ring	1
		1	IK-2080	Shut	1
		1	S-1919	Plug	2
		1	1B-1073	Snap Ring	2
		1	IKS-2024-B	Valve	1
<b>IMS-1720</b>	<b>FUEL LINE</b>				Req. 3
IM-1720	Line	1	IKSA-2007-A	VALVE Assembly, Selector	1
SS-1994	Connector	1	IK-2007-A	Body	1
SS-1999	Elbow	1	IK-2009	Plunger	1
		1	IK-2010	Seat	2
		1	S-3735	Ball	2
		1	IK-2012	Spring	2
		1	IK-2011	Guide	2
		1	IK-2030	Snap Ring	2
		1	IK-2036	Joint	1
		1	IK-2034	Washer	1
		1	IK-2033	Spring	1
		1	IK-2008	Spool	2
		1	IK-2028	"0" Ring	2
		1	IK-2027	"0" Ring	1
		1	IK-2080	Shut	1
		1	S-1919	Plug	2
		1	1B-1073	Snap Ring	2
		1	IKS-2024-B	Valve	1
<b>IKS-1722</b>	<b>CONNECTOR AND RESTRICTOR</b>				
IK-1722	Connector	1			
IK-1723	Restrictor	1			
<b>IMSR-1728-A</b>	<b>FILTER Package, Fuel</b>				
IKS-842-D	Bracket	1			
IK-842-E	Bracket	1			
IMS-1716-F	Line	1			
IMS-1716-G	Line	1			
IMS-1720-C	Line	1			
1L-1729	Clamp	2			
S-2597	Screw	2			
920081	Lock Washer	2			
915147	Nut	2			
92706	Element	2			
		1			

## DETAILS OF ASSEMBLY

Part Number	Description	No. Req.	Part Number	Description	No. Req.
IKSA-2007-B	VALVE Assembly, RH Selector Body Spool Plunger Seat Guide Ball Spring Snap Ring Snap Ring Snap Ring Spring Washer Joint '0" Ring '0" Ring Valve Plug	1	IKSA-2007-D	Continued Washer Joint Packing Plate Plug Ball Washer Cap Screw Screw Nut  VALVE Assembly, Selector (Same parts as IKSA-2007-D except to be assembled for left hand installation)	2
IK-2007-B		1	IK-2034-A		1
IKS-2008-A		1	IK-2036-A		1
IK-2009-A		1	IK-2035		2
IK-2010-A		2	IK-2137		2
IK-2011-B		2	S-1919		4
S-3735		2	S-3735		2
IK-2012		2	920081		4
IK-2030-C		2	908300		4
IK-2030-A		1	908820		4
IK-2030-B		1	915083		4
IK-2033-A		1	IKSB-2007-D		1
IK-2034-A		2			
IK-2036		1			
IK-2055	2				
IK-2028	2				
IKS-2024-B	1				
S-1919	4				
IKSE-2007-B	VALVE Assembly, LH Selector (Includes the same parts as IKSA-2007-B except it is assembled for left hand installation)	1	IKSRA-2049-B	PLATE And Gear Package Plate Gear Gear Gear Cap Screw Cap Screw  COUPLING Repair Package Coupling Coupling Frame Frame Body Spring '10" Ring Sleeve Valve Adapter Spring Valve Body Snap Ring Spring Cover Latch P/In Bar Washer Cap Tool  HARNES Package Harness Connector  HARNES Package Harness Connector  ELECTROMAGNETIC Cylinder Change-Over Package Harness Wire Relay Screw Lock Washer Nut Screw Wire Head	1
IK-2007-C		1	IK-2043-B		1
IKS-2008-A		1	IKS-2046-B		1
IK-2009-A		1	IKS-2049-B		1
IK-2010-A		1	IK-2056-A		9
IK-2011-B		1	IK-2056-B		1
IK-2012		2			
IKS-2024-B		1			
IK-2028		2			
IK-2030-A		1			
IK-2030-B		1			
IK-2033-A		1			
IK-2034-A		1			
IK-2036		1			
IK-2055	2				
IK-2137	1				
IK-2137-A	1				
S-1919	4				
S-3735	4				
920081	4				
908300	4				
908820	4				
IKASA-2007-C	VALVE Assembly, Selector (Same parts as IKSA-2007-C except substitute IKSA-2007-C in place of IK-2007-C)	1	IKSR-2076-C	HARNES Package Harness Connector  HARNES Package Harness Connector  ELECTROMAGNETIC Cylinder Change-Over Package Harness Wire Relay Screw Lock Washer Nut Screw Wire Head	1
IK-2007-C		2	IKS-2076-D		1
IKS-2008-A		2	IKSA-2076-E		1
IK-2009-A		1	IKSB-2361		1
IK-2010-A		2	IK-2362		1
IK-2030-A		1	IK-2363		1
IK-2030-B		1	IK-2364		3
IK-2033-A		1	IK-2365		6
IK-2034-A		1	IK-2366		3
IK-2036		1	IK-2367		3
IK-2055		2	IK-2368		3
IK-2137		1	IK-2369		3
IK-2137-A		1	IK-2370		3
S-1919		4	IK-2371		1
S-3735	4	IK-2373	3		
920081	4	IK-2375	1		
908300	4	IK-2376	1		
908820	4	IK-2377	3		
		IK-2378	3		
		IK-2379	1		
		IK-2381	12		
		IK-2382	6		
		ST-117	6		
IKSE-2007-C	VALVE Assembly, Selector (Same parts as IKSA-2007-C except substitute IKSA-2007-C in hand installation)	1	IKSR-2091-B	HARNES Package Harness Connector  HARNES Package Harness Connector  ELECTROMAGNETIC Cylinder Change-Over Package Harness Wire Relay Screw Lock Washer Nut Screw Wire Head	1
IK-2007-C		2	IKS-2091-B		2
IKS-2008-A		1	IK-2222-D		1
IK-2009-A		1			
IK-2010-A		1	IKSR-2091-C		1
IK-2011-B		2	IKS-2091-C		2
IK-2012		2	IK-2222-D		1
IKS-2024-B		1			
IK-2028		2			
IK-2030-A		1			
IK-2030-B		1			
IK-2033-B		1			
IK-2034-B		1			
IK-2036		1			
IK-2055	2				
IK-2137	1				
IK-2137-A	1				
S-1919	4				
S-3735	4				
920081	4				
908300	4				
908820	4				
IKASA-2007-C	VALVE Assembly, Selector (Same parts as IKSA-2007-C except substitute IKSA-2007-C in hand installation)	1	IKSR-2091-B	HARNES Package Harness Connector  HARNES Package Harness Connector  ELECTROMAGNETIC Cylinder Change-Over Package Harness Wire Relay Screw Lock Washer Nut Screw Wire Head	1
IK-2007-C		2	IKS-2091-B		2
IKS-2008-A		1	IK-2222-D		1
IK-2009-A		1			
IK-2010-A		1	IKSR-2091-C		1
IK-2011-B		2	IKS-2091-C		2
IK-2012		2	IK-2222-D		1
IKS-2024-B		1			
IK-2028		2			
IK-2030-A		1			
IK-2030-B		1			
IK-2033-B		1			
IK-2034-B		1			
IK-2036		1			
IK-2055	2				
IK-2137	1				
IK-2137-A	1				
S-1919	4				
S-3735	4				
920081	4				
908300	4				
908820	4				
IKASA-2007-C	VALVE Assembly, Selector (Same parts as IKSA-2007-C except substitute IKSA-2007-C in hand installation)	1	IKSR-2091-B	HARNES Package Harness Connector  HARNES Package Harness Connector  ELECTROMAGNETIC Cylinder Change-Over Package Harness Wire Relay Screw Lock Washer Nut Screw Wire Head	1
IK-2007-C		2	IKS-2091-B		2
IKS-2008-A		1	IK-2222-D		1
IK-2009-A		1			
IK-2010-A		1	IKSR-2091-C		1
IK-2011-B		2	IKS-2091-C		2
IK-2012		2	IK-2222-D		1
IKS-2024-B		1			
IK-2028		2			
IK-2030-A		1			
IK-2030-B		1			
IK-2033-B		1			
IK-2034-B		1			
IK-2036		1			
IK-2055	2				
IK-2137	1				
IK-2137-A	1				
S-1919	4				
S-3735	4				
920081	4				
908300	4				
908820	4				

DETAILS OF ASSEMBLY

Part Number	Description	No. Req.	Part Number	Description	No. Req.
1KSRB-2202-A	EL ELECTROMAGNETIC Cylinder Change-Over Package		1MSRA-2600-A	Continued	
IKS-2091-D	Harness	1	IMS-1119-B	Pedal	1
IKS-2116-A	Wire	1	IMS-1120-B	Pedal	1
IK-2117	Relay	1	932037	Cotter Pin	2
909019	Screw	2	S-1371	Latch	1
920152	Lock Washer	2	920015	Washer	2
915111	Nut	2	IM-1122-A	Cap Screw	1
S-2553	Screw	4	IM-1125-B	Link	1
IKSEI-2202-A	Head	1	932016	Cotter Pin	2
IKSB-2361	SERVICE Package		IM-1413-C	Lever	4
IK-2361	Frame	1	IM-1413-D	Lever	1
IK-2380	Pin	2	IM-1417	Clip	1
IK-2374	Snap Ring	2	IMS-1421-A	Shaft	1
			IM-1423	Bracket	1
1MSRA-2600	DISC Brake Field Change-Over Package		908345	Cap Screw	1
IMR-645	Extension	2	920064	Lock Washer	2
IMR-646	Spindle	2	IH-1507	Spring	2
IKR-647	Washer	2	IKR-2600-A	Brake	2
S-2051	Nut	2	IK-2615	Rod	2
IKS-899-A	Rod	2	IK-2617	Nut	2
1A-901	Pin	1	915087	Nut	2
932016	Cotter Pin	2	IM-1110	Seal	2
1B-901	Pin	2			
932008	Cotter Pin	3	ILSR-3330-A	SWAY CHAIN Field Change-Over Pkg.	
IK-901	Pin	3	IL-3330-A	Chain	2
IM-1104	Housing	2	IE-3332	Clevis	4
IK-1112-A	Cover	2	IE-3333	Pin	4
908358	Cap Screw	6	932016	Cotter Pin	4
920085	Lock Washer	6	IE-3336	Coupling	4
IK-1115-B	Stud	10	908535	Cap Screw	4
IM-1119-A	Pedal	1	S-2058	Nut	1
IM-1120-A	Pedal	1	IE-3337	Bolt	2
932045	Cotter Pin	2	S-2056	Nut	2
IK-1124-B	Rod	2	920011	Washer	2
IM-1125-A	Pin	2	920013	Washer	4
S-1365	Pin	2			
IM-1413-A	Lever	1	ILSR-3330-B	SWAY CHAIN Field Change-Over Pkg.	
IM-1413-B	Lever	1	IL-3330-B	Chain	2
IM-1430-B	Bar	1	IE-3332	Clevis	4
IK-1431	Pin	1	IE-3333	Pin	4
932008	Cotter Pin	1	932016	Cotter Pin	4
IKSR-2600-A	Brake	2	IE-3336	Coupling	2
IK-2615	Rod	2	IE-3337	Bolt	2
IK-2617	Nut	2	S-2056	Nut	2
915087	Nut	2	920011	Washer	2
S-1185	Set Screw	2	920013	Washer	4
IM-1110	Seal	4			
908321	Cap Screw	2	ILS-3351	HOUSING Assembly	
932017	Cotter Pin	1	IL-3351	Housing	1
			939001	Fitting	1
			935026	Plug	1
			S-1376	Pin	1
			IL-3352	Shaft	1
			IL-3353	Pinion	1
			IL-3354	Washer	1
			ILS-3355	Crank	1
1MSRA-2600-A	DISC Brake Field Change-Over Package				
IMR-645	Extension	2	ILS-3351-A	HOUSING Assembly	
S-1185	Set Screw	4	IH-1054	Snap Ring	1
IMR-646	Spindle	2	IL-3351-A	Housing	1
IKR-647	Washer	2	S-1187	Screw	1
S-2051	Nut	2	915267	Nut	1
932008	Cotter Pin	2	939049	Fitting	1
1A-901	Pin	2	IL-3352-A	Shaft	1
IK-901	Cotter Pin	2	IL-3353-A	Pinion	1
IM-904-B	Clip	2	S-1388	Pin	1
IM-906-A	Link	1	IL-3354	Plate	1
932016	Cotter Pin	2	IL-3355	Screw	1
IMR-939-A	Spacer	1			
IM-1104	Housing	2	ILS-3351-A	HOUSING Assembly	
IK-1112-A	Cover	2	IH-1054	Snap Ring	1
908358	Cap Screw	2	IL-3351-A	Housing	1
920085	Lock Washer	5	S-1187	Screw	1
IK-1115-B	Stud	4	915267	Nut	1
		10	939049	Fitting	1
			IL-3352-A	Shaft	1
			IL-3353-A	Pinion	1
			S-1388	Pin	1
			IL-3354	Plate	1
			IL-3355	Screw	1
			915269	Nut	1
			IL-3355-A	Crank	1
			IL-3357	Gear	1
			937082	Key	1
			IL-3358	Washer	1
			IL-3359	Bushing	1
			ILS-5035	Bearing	1

## DETAILS OF ASSEMBLY

Part Number	Description	No. Req.	Part Number	Description	No. Req.
IKSR-3748-B	HEAD Service Package		IKS-7600-C	BOWL Assembly, Fuel	
IK-5748-A	Head	1	IK-7600-B	Bowl	1
IK-5749	Lock	1	IB-7600-B	Packing	1
IK-5750	Seat	1	IB-7626-B	Retainer	1
IK-5751	Spring	1	IB-7639-B	Plug	1
IKA-5753	Retainer	1	IK-7686	Disc	1
IK-5754	Gear	1			
IK-5755	Guide	1	IMS-7600	BODY, Throttle - Complete	
IK-5756	Washer	1	IM-7600	Body	1
IK-5758	Ball	1	IMS-7606	Shaft	1
IK-5759	Screw	1	IH-7625	Bracket	1
IK-5760	Gasket	6	IH-7634	Fly	1
IK-5761	Fitting	6	IM-7641	Cup	1
IK-5762	Valve	1	IM-7642	Screw	1
IK-5763	Gasket	1	IH-7648	Screw	2
IK-5764	Spring	1	IH-7666	Packing	2
IK-5765	Holder	1	IH-7667	Retainer	1
IK-5766	Gasket	1			
IK-5767	Screw	1	IMS-7600-A	BODY, Throttle - Complete	
IK-5768	Plate	1	IM-7600-A	Cover	1
IK-5769	Screw	2	IMS-7606	Shaft	1
IKR-5821	Sleeve	4	IH-7625	Bracket	1
			IH-7633	Pin	1
IKSA-6750-A	HOUSING With Side Cover, Steering Gear		IM-7634	Fly	1
IKS-6750-A	Housing	1	IH-7641	Cup	1
IKS-6756	Cover	1	IM-7642	Screw	2
ID-6770	Cup	1	IH-7648	Screw	2
ID-6788	Dowel	1	IH-7666	Packing	2
IK-6805	Screw	4	IH-7667	Retainer	1
IK-6763	Screw	1			
			IKS-7601	BODY, Carburetor - Complete	
IKSR-6756	COVER, Steering Gear Housing Roller		IK-7601	Body	1
IKS-6751	Shaft	1	IH-7664	Strainer	1
IK-6756	Plug	1	IH-7665	Plug	1
IK-6763	Cover	1			
IK-6787	Screw	1	IKS-7601-A	BODY Assembly, Throttle	
IDR-6788	Eushing	1	IK-7608-A	Washer	1
	Dowel	2	IK-7614-A	Plate	1
			IK-7626	Retainer	1
IKSA-6767-A	SHAFT And Ball Nut Assembly		IB-7641	Screw	2
IKS-6767-A	Shaft and Worm	1	IK-7641-A	Screw	1
IK-6819	Nut	106	IK-7660	Bushing	1
S-3741	Ball	4	IB-7661	Pin	1
IK-6820	Guide	1	IB-7663	Bracket	1
IK-6821	Clamp	3			
S-2560	Screw		IKSA-7601-A	BODY And Bowl Cover Assembly,	
			Throttle		
IKSA-6767-B	SHAFT And Ball Nut Assembly		IKS-7601-A	Cover	1
IKS-6767-B	Shaft and Worm	1	IKS-7627	Shaft	1
IK-6819	Nut	106	IB-7631-A	Screw	1
S-3741	Ball	4	IB-7637-A	Spring	1
IK-6820	Guide	1	IK-7640	Plate	1
IK-6821	Clamp	3			
S-2560	Screw		IMS-7601	BODY, Carburetor - Complete	
			IM-7601	Body	1
IKS-7334	HOUSING, Shaft and Plug Assembly		IH-7611	Packing	1
IK-310-A	Gear	1	IH-7612	Retainer	1
932285	Pin	1	IH-7636	Valve Seat	1
IK-7334	Housing	1	IM-7662	Plate	1
935013	Plug	1	IH-7663	Ball	1
IK-7335	Shaft	1	IM-7664	Strainer	1
IKS-7500-B	BODY, Throttle - Complete		IMS-7601-A	BODY, Carburetor - Complete	
IK-7500	Body	1	IM-7601	Body	1
IKS-7606	Shaft	1	IH-7611	Packing	1
IH-7625	Bracket	1	IH-7612	Retainer	1
IK-7634	Fly	1	IH-7636	Valve Seat	1
IK-7641	Retainer	1	IM-7662-A	Plate	1
IC-7643-A	Screw	2	IH-7663	Ball	1
IH-7648	Screw	2	IM-7664	Strainer	1
IK-7662	Plate	1			
IK-7663	Plug	1			
IH-7666	Packing	1			

## DETAILS OF ASSEMBLY

Part Number	Description	No. Req.	Part Number	Description	No. Req.
IHS-7655	GASKET SET, Carburetor	1			
1B-396	Gasket	1			
1H-7653	Gasket	1			
1H-7654	Gasket	1			
1H-7655	Gasket	1			
1H-7668	Gasket	1			
IKS-7655	GASKET SET, Carburetor	1			
1H-7653	Gasket	1			
1F-7654	Gasket	1			
1K-7655	Gasket	1			
1K-7668	Gasket	1			
IKS-7655-A	GASKET SET, Carburetor	1			
1K-7621-A	Gasket	1			
1B-7603	Washer	1			
1B-7632-A	Washer	2			
1B-7633	Washer	1			
IMSR-7670	REPAIR KIT, Carburetor	1			
IHS-7605	Float	1			
IHS-7606	Shaft And Lever	1			
1B-396	Gasket	1			
1H-7611	Packing	1			
1H-7612	Retainer	1			
IMS-7614	Needle	1			
IHS-7623	Gasket And Seat	1			
1H-7626	Shaft	1			
IHS-7655	Gasket Package	1			
1H-7666	Packing	1			
1H-7667	Retainer	1			
IKSR-7670-C	REPAIR KIT, Carburetor	1			
1K-7608-A	Seal	1			
1K-7626	Retainer	1			
1B-7639-B	Plug	1			
1K-7610	Screw	2			
1B-7631-A	Needle	1			
1B-7638-A	Axle	1			
1K-7621-A	Gasket	1			
1K-7643	Screw	2			
1B-7608-B	Washer	1			
1B-7626-B	Retainer	1			
1B-7639-B	Plug	1			
1K-7666	Disc	1			
1K-7610	Screw	2			
920078	Lock Washer	2			
1B-7632-A	Washer	1			
1K-7620	Jet	1			
1B-7633	Washer	1			
1K-7617	Jet	1			
1B-7603	Washer	1			
1K-7658	Jet	1			
IKS-7618	Valve	1			
1B-7632-A	Washer	1			
IKSR-7670-H	REPAIR KIT, Carburetor	1			
1KS-7606	Shaft	1			
1C-7643-A	Screw	4			
1KS-7655	Gasket	1			
1A-7630	Spring	1			
1H-7658	Spring	1			
1F-7626	Shaft	1			
1H-7628	Needle	1			
1H-7666	Packing	1			
IK-7666-A	Packing	1			
1H-7613	Jet	1			
1K-7641	Retainer	1			
1K-7667	Cup	1			
1FS-7623	Valve	1			

## NUMERICAL INDEX

Part Number	Page Number	Part Number	Page Number	Part Number	Page Number	Part Number	Page Number	Part Number	Page Number
92706	3-30	IKO-153	2-18	IM-196-B	2-4	IH-220	2-14		
119124	5-3	IKU-153	2-18	IK-197	2-4	IH-221	2-14		
		IHR-155	2-18	IM-197	2-4	IKS-222	3-35		
	2-7	IK-158	2-9, 3-23	IM-197-A	2-4	IKS-222-A	3-35		
	2-7, 12-1	IA-159	7-1	IM-197-C	2-4	IKS-222-B	3-35		
	2-7, 12-1	IH-159	2-18	IK-198	2-4	IK-224	3-35		
	2-12	IH-160	2-18	IK-198-A	2-4	IK-224-A	3-35		
	2-12	IK-164	2-9, 3-23	IH-199	2-4	IK-224-B	3-35		
	2-12	IM-165	2-17	IK-199	2-4	IK-225	3-35		
	2-12	IM-166	2-17	IKSR-199	2-4	IKS-225	3-35		
	2-12	IB-167	2-17	IB-200-A	2-4	IK-225-A	3-35		
	2-12	IB-168	2-17	IM-201	2-4	IK-226	3-35		
	2-12	IC-169	2-1	IM-203	2-4	IK-227	3-35		
	2-8			IM-203-B	2-4	IKRRA-229	2-14		
	2-8	IMSA-178	2-13	IM-204	2-4	IKRFB-229	2-14		
	2-8	IMSB-178	2-13, 12-1	IMS-204	2-5	IM-229	2-15		
	2-8	IMSA-178-A	2-13	IMSA-204	2-5, 12-2				
	2-12	IMSB-178-A	2-13, 12-1	IMSB-204	2-5, 12-2				
	2-12	IMSA-178-B	2-14	IM-204-A	2-5	IK-230	2-15		
	2-12	IMSA-178-C	2-14	IMS-204-A	2-5	IK-231	2-15		
	2-13	IMSB-178-C	2-14, 12-1	IMSA-204-A	2-5, 12-2	IKRS-233-C	2-15		
	2-13	IMSA-178-D	2-13	IMSB-204-A	2-5, 12-2	IMS-233	2-15		
	2-13	IMSA-178-E	2-14	IMSC-204-A	2-5, 12-2	IMS-233-A	2-15		
	2-8	IKA-179	2-14	IMSD-204-A	2-5, 12-2	IMS-233-B	2-15		
	2-8			IMSA-204-B	2-5, 12-2	IC-235	2-24		
				IMSB-204-B	2-5, 12-2	IK-235	2-9, 2-23, 3-25		
				IK-205	2-5	IKS-239	4-1		
IK-110	2-8	IMS-180-A	2-2	IK-205-A	2-5	IKS-239-A	4-1		
IC-111	2-1, 2-3	IMS-180-A	2-2	IK-206	2-5				
IK-111	2-8	IMSA-180-A	2-3, 12-1	IKS-206	2-5, 12-2	IKA-241	3-23		
IKAS-112	2-8	IMSE-180-A	2-3, 12-1	IKS-206	2-5	IK-242	3-23		
IKS-112-A	2-9	IM-180-B	2-3	IKS-206-A	2-5	IKSR-242	3-23		
IKS-112-B	2-9	IMS-180-B	2-3	IKS-206-A	2-6, 12-2	IH-245-A	4-10		
IK-113	2-9	IMSA-180-B	2-3, 12-1	IKS-206-B	2-5	IK-245	4-10		
IK-113-A	2-9	IM-180-C	2-1	IK-206-C	2-5, 12-2				
IK-114	2-9	IMS-180-C	2-1	IKS-206-C	2-6	IKS-245	4-10, 12-3		
IK-115-A	2-9	IMSA-180-C	2-1, 12-1	IK-206-C	2-6, 12-2	IH-246	4-10		
IH-117	2-9	IMSB-180-C	2-2, 12-1	IKS-206-D	2-5	IK-249	2-9		
IM-119-B	2-13	IMC-180-C	2-2	IK-206-E	2-6				
IM-119-D	2-13	IMS-180-D	2-2	IKS-206-E	2-6, 12-3	IK-250	3-23		
		IMSA-180-D	2-2, 12-2	IK-207	2-6	IKS-250	3-23, 12-3		
IK-120	2-13	IM-180-H	2-3	IK-207-A	2-6	IKSB-250	3-23, 12-3		
IKO-120	2-13	IMS-180-H	2-3	IM-207	2-6	IKSB-250-A	3-23		
IKU-120	2-13	IMSA-180-H	2-3	IB-208-A	2-6	IK-251	3-23		
7K-123	2-13	IMSE-181	2-3, 12-1, 12-2	IK-209	2-6	IKSA-251-A	3-23, 12-3		
IK-126	2-13	IM-181-A	2-3	IKS-209	2-6	IK-252	3-24		
IK-127	2-9	IMSA-181-A	2-3	IK-209-A	2-6	IK-254	3-24		
IK-128	2-9	IM-181-B	2-3	IKS-209-A	2-6				
IKS-129	2-13	IMSA-181-B	2-3, 2-14, 12-2	IKS-209-A	2-6				
		IM-181-C	2-3			IK-260	3-24		
IK-130	2-9	IMS-181-C	2-3	IK-210	2-6	IKS-260	3-24, 12-3		
IK-131	2-9	IMSA-181-C	2-3, 2-14, 12-2	IH-211	2-6	IK-261-B	3-24		
IK-132	6-1	IK-182	2-3	IH-212	2-6	IKS-261-B	3-24, 12-3		
IH-133	2-1, 2-9	IK-182-A	2-3	IM-212	2-9	IK-262	3-24		
IK-133	2-9	IK-183	2-3	IH-213	2-6	IB-263-B	3-24		
IH-134	2-1, 3-20	IK-183-A	2-3	IH-213-A	2-6	IM-264	3-24		
IK-134	2-13	IK-183-B	2-3	IH-214	2-6	IM-264-B	3-24		
IK-135	2-13	IK-183-C	2-3	IMS-216	2-14, 12-3	IKS-265	3-24		
IKS-135	2-13	IH-188	2-3	IMSA-216	2-14, 12-3	IKS-266	3-24		
IKS-135-A	2-13			IMS-216-A	2-14, 12-3	IB-267-A	3-24		
IM-135	2-13	IH-190	2-3	IHARS-217	2-14				
IMS-135	2-13	IM-190-A	2-4	IHAURS-217	2-14	IK-270	3-24		
IMS-135-A	2-13	IM-191	2-4	IHAURS-217	2-14	IHR-272	3-24		
IK-136	2-13	IK-193	2-4, 3-20	IKAS-217	2-14	IB-273	2-19		
IK-136-A	2-13	IK-193-A	2-4	IKARS-217	2-14	IC-273	2-19, 3-24		
IH-139	2-1	IH-194	2-4	IKS-217-A	2-14	IH-273	3-24		
		IKR-195	2-4	IKRS-217-A	2-14	IMS-273	3-24		
IK-144	2-9	IKR-195-A	2-4	IKXS-217-A	2-14	IB-275-A	10-22		
IK-145	2-9	IKR-195-B	2-4	IMS-217	2-14	IH-275	3-24		
IK-148	2-1	IKR-195-C	2-4	IMRS-217	2-14	IK-276-B	3-24		
		IK-196	2-4	IK-219	2-14	IKS-277	2-19		
IM-152	2-18	IM-196	2-4	IH-219-A	2-14	IH-278	2-19		
IK-153	2-18	IM-196-A	2-4						

## NUMERICAL INDEX

Part Number	Page Number	Part Number	Page Number	Part Number	Page Number	Part Number	Page Number	Part Number	Page Number
IH-282	2-19	IH-375	2-15	IK-421	3-20	IKS-501-B	8-8		
IBR-283-A	3-24	IM-377	5-2	IKA-422	3-20	IK-501-D	8-12		
IB-286-A	3-24			IMA-422	3-20	IKR-502	8-6		
IK-289	3-24	IK-380	5-2	IMS-422	3-20,12-4	IK-502-A	9-8		
IB-291-A	3-24	IH-381	5-2	IMS-422-A	3-20	IKR-502-B	8-8		
IC-291	2-19	IH-383	5-2	IMS-422-A	3-20,12-4	IK-502-C	8-12		
IK-291	3-24	IM-383	5-2	IM-422-B	3-20	IK-502-D	9-8		
IK-292	2-9	IMSP-383	5-2	IMS-422-B	3-20,12-4	IK-503	8-12,9-8		
IKS-292	2-9,12-3	IM-383-A	5-2	IM-425	3-21	IK-504	9-8		
IH-293	2-9	IH-384	5-2	IM-425-A	3-21	IB-507	5-3		
IH-294	2-9	IM-386	5-3	IMS-425-B	3-21,12-4	IB-508	5-4		
IH-295	2-10	IM-386-A	5-3	IMS-425-D	3-21,12-4	IMS-509	5-4		
ICA-297	7-1,10-5, 10-22,10-48	IK-386-B	5-3	IM-425-E	3-21				
IH-297	2-10	IK-387	5-3	IK-426	3-21	IMS-512	5-4		
IC-298	7-1,10-5, 10-22,10-48	IB-388	3-1,5-3	IM-426-A	3-21	IMS-513	5-4		
IH-298	2-10	IKAS-393-B	3-15	IM-426-B	3-21	IMS-513-A	5-4		
IA-299	7-1	IKS-393-B	3-8	IM-426-C	3-21	IMS-513-B	5-4		
IH-302-A	2-10	IMS-393	3-8	IK-428-A	3-21	IMS-513-C	5-4		
IK-303	2-10	IMAS-393	3-12	IK-428-B	3-21	IMS-513-D	5-4		
IH-304-A	2-10	IMS-393-A	3-8	IK-428-C	3-21	IMS-513-E	5-4		
IH-305-A	2-10	IB-396	3-8,3-12,3-15,3-20	IK-428-D	3-21	IMS-513-G	5-4		
IK-310	2-24,4-16	IM-397	3-1	IK-428-E	3-21	IMS-513-H	5-4,12-5		
IK-310-B	2-24,4-16	IA-398	7-1,10-63	IK-429	3-21	IMS-513-I	5-4		
IMS-327	2-17,12-3	IB-398-A	10-5	IK-429	3-21	IMS-513-H	5-4		
IMS-A-327	2-17,12-3	IC-398	3-2	IK-430	3-4,3-21	IK-516	5-4		
IK-328	2-17	IH-398	7-1	IK-431	3-21	IKS-517	2-10,5-4		
IK-330	2-17	IK-398	3-8,3-12,3-15,3-20	IKS-431-B	3-21	IMS-518	5-4		
IH-331	2-24	IL-398	2-10,4-1	IH-432	3-21	IMS-519	5-5		
IK-331	2-17	IM-398	3-8,3-20	IMS-433	3-3	IM-523	5-5		
IK-332	2-17	IM-398-A	3-25	IMS-433-A	3-4	IJ-525	5-5		
IM-333	2-17	IMS-399-A	2-10,12-3	IMS-433-B	3-4	IJ-525-A	5-5		
IH-335	2-17,4-16	IMS-399-C	2-10,12-3	IMS-433-C	3-3	IA-526	5-5		
IH-336	2-17	IK-400	2-10	IMS-433-D	3-3	IK-528-A	2-20		
IKS-338	2-17	IM-402	3-2	IMA-433-E	3-3	IK-528-B	2-20		
IHA-344-A	2-19	IM-402-A	3-4	IK-438-E	1-25	IK-528-E	2-20		
IK-345	2-19	IM-402-B	3-2	IK-438-F	1-25	IK-529	6-1		
IKS-345	2-19	IM-402-C	3-4	IB-439	4-1	IH-530	2-20		
IKS-345-A	2-20	IM-402-D	3-2	IK-442	3-21	IBA-532	2-20		
IC-347	2-15	IM-402-E	3-2	IH-443	2-10	IJ-536	2-15		
IC-348	2-15	IM-402-F	3-2	IK-445	3-21	IM-536	2-15		
IM-350	5-1	IM-402-G	3-2	IM-445	3-21	IHS-537	2-15		
IMS-350	5-1	IL-403	3-2	IM-446	3-21	IB-552	6-1		
IK-351	5-1	IK-403	3-2	IKS-446	3-21	IK-552	6-1		
IH-354	5-1	IK-405-A	3-2	IK-447	3-22	IB-553-A	6-1		
IM-354	5-1	IM-405	3-2	IK-452	3-22	IBS-553-A	6-1		
IKS-358-B	5-2	IMS-406	3-3	IK-452-B	3-22	IBS-553-B	6-1		
IH-360	5-2	IMS-406-A	3-3	IL-452	3-22	IBR-554	6-1		
IHS-365-A	5-2	IMS-406-B	3-3	IMS-452	3-22	IB-554-A	6-2		
IKSA-365-A	5-2	IMSP-406-C	3-3,12-3	IK-470	2-10	IB-555-A	6-2		
IK-369	5-2	IMS-406-D	3-3	IK-471	2-10	IKR-555	6-2		
IKS-369-A	5-2	IM-415	3-20	IK-472	2-10	IM-555-A	6-2		
IK-370	2-15	IM-415-A	3-20,12-3	IK-472-A	2-10	IKS-556	6-2		
IKS-370	2-15	IMSA-415-A	3-20,12-3	IB-473-A	6-1,10-68	IKCS-556	6-2		
IKS-370-A	2-15	IM-415-B	3-20	IK-475	2-10	IMS-556	6-2		
IKSA-370-A	2-15,12-3	IMS-A-415-B	3-20,12-4	IK-476	2-10	IMS-556	6-2		
IK-370-B	2-15	IM-415-C	3-20,12-4	IK-477	2-10	IKAS-556	6-2		
IK-371	2-15	IMS-A-415-C	3-20	IK-478	2-10	IMAS-556	6-2		
IM-372	5-2	IH-416	3-20	IMS-499	2-10	IMS-558-B	6-3		
IM-372-A	5-2	IK-416	3-20	IMS-499-A	2-10,12-4	IMS-558-C	6-3		
		IK-416-A	3-20	IMS-499-B	2-10,12-4	IMS-558-D	6-3		
		IK-416-B	3-20	IMS-499-C	2-10,12-5	IMS-558-E	6-3		
		IK-416-C	3-20	IMS-499-D	2-10,12-5	IL-559-A	6-3		
		IK-416-D	3-20	IM-500-F	1-24	IM-559	6-3		
		IK-416-E	3-20	IM-500-G	1-24	IM-559-A	6-3		
		IK-418	3-20	IM-500-H	1-24	IM-559-C	6-3		
		IK-419	3-20	IKS-501	8-6				



## NUMERICAL INDEX

Part Number	Page Number	Part Number	Page Number	Part Number	Page Number	Part Number	Page Number
1B-560	6-4	IMS-596-J	7-3, 12-6	IMS-643-A	7-19	1C-703	7-26
1K-560-A	6-4	IMAS-596-J	7-3, 12-6	IMS-643-B	7-19	1D-703	9-16
1B-562	6-4	IMSR-596-J	7-4, 12-6	IM-644	7-10	IM-703	7-26
1K-562	6-4	1B-597	2-15, 10-5, 10-28, 10-48, 10-63 1-24	IM-644-A	7-10	1F-704-F	10-77
1K-562-A	6-4	1C-597		IM-644-B	7-10, 7-19	IM-704-B	10-77
1B-565	6-5			IM-644-C	7-10, 7-20	IM-704-C	10-77
1M-565	6-5			IM-644-D	7-10, 7-20	1KA-705	10-77
1K-568	6-5	IM-600	7-4	IMR-645	7-20	1L-705-B	10-77
1M-568	6-5	IM-602	7-4	IMR-646	7-20	IMS-705	10-77
1M-568-A	6-5	IMSR-602	7-4	IKR-647	7-20	IMS-705-B	10-78
1B-569-A	6-5	IM-602-A	7-4			IMS-705-C	10-78
1K-569	6-5	IMSR-602-A	7-4	IM-650	7-10, 7-20	IMS-705-D	10-78
1K-569	6-5	IM-602-B	7-4	IM-651	7-10, 7-20	IMS-705-F	10-78
1KS-589	6-5, 12-5	IMSR-602-B	7-4	IM-652	7-10, 7-21	IMS-705-H	10-78
1KAS-569	6-5, 12-5	IM-602-C	7-4	IM-654	7-10, 7-21	IM-705-J	10-78
1M-569	6-5	IMSR-602-C	7-4	IM-655	7-12, 7-21	1H-708-A	9-5, 10-78
1MS-589	6-5, 12-5	IM-602-D	7-4	IMS-657	7-25	1K-706	9-5, 10-78
1MAS-589	6-5, 12-5	IMSR-602-D	7-4	IMS-657-B	7-25	1K-707	7-26
1B-570	6-5	IM-603	7-4	IM-661	7-5	1K-708	7-26
1M-570	6-5	IMS-604	7-4	IMS-661-A	7-5	1K-709	7-26
1M-571	6-5	1K-605	7-4	IM-662	7-5		
1MBS-589	6-5, 12-5	IM-606	7-4	1K-664	10-63	IKS-710	9-8
1K-573	6-5	IM-607	7-4	1K-665	10-63	IKS-710-A	9-8
1K-574	6-5	IM-608	7-4	1K-666	10-63	1F-711-A	7-26
1K-576	6-5	IM-609	7-4	1K-668	10-63	1FR-712	9-1
1KA-576-A	6-5	IM-609-A	7-4	1K-669	10-63	1K-712	8-4
1K-577	7-1			1K-669	10-63	IKS-712	8-4
1L-577	10-5	IM-610	7-4	IKSR-669	10-63, 12-7	IK-712-B	9-8
1K-579	6-5	IM-611	7-4	IK-670	10-63,	IKS-712-B	9-8
1K-579-A	6-5	IM-612	7-4	IK-674	10-63	IKS-712-C	9-1, 12-7
1K-579-A	6-5	1K-614	7-4	1K-678-A	10-64	IKRS-712-C	9-1
1KSR-579-A	6-5, 12-5	1K-616	7-4			IK-712-D	9-8
		1K-616-A	7-4	IK-680	10-64	IKS-712-D	9-8
1C-580	10-5	1K-617	7-4	IKS-680	10, 64, 12-7	IKSB-712-D	9-8
1B-583	10-68	1K-618	7-4	1K-681-A	7-5	IKS-712-E	9-8, 12-7
1K-584	6-6	IM-618	7-4	1K-681-B	7-5	IKRS-712-F	9-1, 12-7
1KS-584	6-6	IM-619	7-4	1K-682	7-5	IKS-712-G	9-1
1KS-584-A	6-6	1KS-619	7-5	1K-686	10-64	IKS-712-H	9-16
1K-585	6-6	1K-619-A	7-5			IKS-712-J	9-1
1K-586	6-6			1K-690	10-64	IKSA-712-J	9-1
1K-588	6-6	1K-620	7-5, 10-63	1K-691-A	10-64	IKSFA-712-J	9-1, 12-7
1K-588-A	6-6	1K-620-A	7-5, 10-63	1K-692	10-64	1K-712-K	8-4
1K-589	6-6	1L-620-A	9-16	1K-693	10-64	IKS-712-K	9-16
		1K-621	7-5	1KS-694-A	10-64	IKS-712-L	8-4
1K-590	6-6	1K-622	7-5	1K-695	10-64	IKS-712-M	9-2
1KS-590	6-6	1KS-622	3-22	1K-696	10-64	IKSA-712-M	9-2
1KS-590-A	6-6	1K-623	7-5	1MA-699	10-64	IKSFA-712-M	9-2, 12-7
1K-590-B	6-6	IM-624	7-5	1MB-699	7-25	IKSA-712-P	9-2
1KS-590-B	6-6	IM-624-A	7-5	1MA-699-A	7-25	IMS-712	9-2, 12-8
1K-590-C	6-6	1A-628-A	10-22, 10-48	1MA-699-A	7-25	IK-713	9-2
1KS-590-C	6-6	1B-628	10-22	1MB-699-A	7-25	IKS-713	9-2
1K-592	6-6	1H-628	7-8	1MA-699-B	7-25	IKS-713-A	9-9
1K-595	6-6	1K-629	7-8	1MB-699-B	7-25	IKS-713-B	9-2
1M-596	1-24			1MA-699-C	7-25	1K-713-G	9-2
1MS-596	7-1	1K-632	7-8	1MA-699-D	7-25	1K-714	9-3
1M-596-A	7-3, 12-6	1K-633	6-6	1MB-699-E	7-25	1KS-714	9-3
1MS-596-A	7-3	1KS-633	6-6	1MA-699-F	7-25	1KS-714-B	9-3
1M-596-B	7-3, 12-6	1K-633-A	6-6	1MA-699-G	7-25	1KS-714-B	9-3
1MS-596-B	7-3	1K-634	6-6	1MA-699-G	7-25	1K-714-C	9-3
1M-596-C	7-3, 12-6	IM-634	7-10	1MA-700-A	7-25	1K-715	8-6, 8-12
1MS-596-C	7-3, 12-6	1K-635	7-5	1MA-700-A	7-25	1K-715-A	9-9
1MSR-596-C	7-3, 12-6	1K-635-A	10-68	1MA-700-B	7-25	1K-715-B	8-8
1M-598-D	7-3	1H-637	10-63	1MA-700-B	7-25	1KS-715-C	8-8
1MA-598-D	7-3	IM-637	7-5	1M-700-C	7-25	1K-715-D	9-9
1MS-598-D	7-3, 12-6	1H-638	10-63	1M-700-D	7-25	1KS-715-E	8-8
1MSR-598-D	7-3, 12-6	1M-638	7-5	1M-700-E	7-25	1K-715-F	8-12, 9-3
1MS-598-E	7-3, 12-6	1H-639	10-63	1M-701	7-25	1K-715-G	8-12, 9-3
1MS-598-F	7-3, 12-6	1M-639	7-5	IMS-701	7-25	1B-716	9-16
1MS-598-H	7-3, 12-6	1M-641	7-5	IMS-701-A	7-25	1K-717	8-6, 8-12
1MS-598-H	7-3, 12-6	1M-643	7-19	IMS-701-A	7-26	1K-717-A	9-9
1MSR-598-H	7-3, 12-6			1M-702	7-26	1K-717-B	8-9

**SECTION XII  
GENERAL INFORMATION**

**77 PARTS BOOK**

**NUMERICAL INDEX**

Part Number	Page Number	Part Number	Page Number	Part Number	Page Number	Part Number	Page Number	Part Number	Page Number
IKS-717-C	8-9	IA-744	9-4, 9-12	IM-775-A	7-14	IKS-841-B	10-22		
IK-717-D	9-9	IK-745	9-17	IMS-775-A	7-14	ILS-841	3-28, 12-10		
IKS-717-E	8-9	IK-748-A	9-12	IM-775-B	7-14	IK-842	3-28		
IK-717-F	8-12, 9-3	IK-748-B	9-12	IMA-775-C	7-14	IK-842-A	3-29		
IK-717-G	8-12, 9-3	IK-748-C	9-4	IM-775-D	7-14	IKS-842-D	3-29		
IK-718	9-9	IK-748-D	9-4	IMS-775-D	7-14	IK-842-E	3-29		
IKS-718-A	9-4	IK-749-A	9-12	IK-776-A	7-14	IKS-843	3-29		
IA-719	9-4	IK-749-B	9-12	IK-776-B	7-14	IK-848	10-64		
ID-719	9-4, 9-9			IK-776-C	7-14	IK-848-A	10-64		
IK-719	9-9	IKS-750-A	8-9, 12-8	IK-776-E	7-14	IE-849	4-1		
IAAR-720	9-4	IKS-750-B	8-12, 12-9	IK-777	7-14	IM-855	1-16		
IDR-720-A	9-4	IKSR-750-B	8-6, 12-9	IK-777-A	7-15	IM-855-A	1-16		
IK-720-A	9-4	IKS-750-C	9-12, 12-9	IK-778	7-15	IM-855-B	1-16		
IK-720-B	9-4	IK-751	8-1	IK-778-B	7-15	IM-856	1-16		
IK-722	8-6	IK-751-A	8-1	IK-778-E	7-15	IM-856-A	1-16		
IK-722-A	8-9	IB-752	8-1	IK-785	1-2	IM-856-B	1-16		
IKAS-722-B	8-9	IK-752	8-6	IK-785-A	1-2	IMS-858	1-17		
IKS-722-C	8-9	IK-752-A	8-6	IL-785-A	10-73	IMS-858-A	1-17		
IKS-724-B	8-9, 12-8	IK-753	8-1	IK-786	1-2	IMS-859	1-17		
IKS-724-C	9-9, 12-8	IKBS-753-A	8-1	IK-786-B	1-2	IMS-859-A	1-17		
IK-724-D	8-9	IKAS-753-C	8-1	IKS-787	1-2	IMS-859-B	1-17		
IKS-724-E	9-12, 12-8	IKAS-753-D	8-2	IMS-787	1-2	IMS-859-C	1-17		
IKS-724-F	9-12, 12-8	IKAS-753-E	8-2	IMS-787-A	1-3				
IKS-724-H	8-12, 12-8	IM-753	8-1	IK-790	10-73, 10-83	IKS-860	1-18		
IKAS-724-I	8-12, 12-8	IMBS-753-A	8-1	IK-792	1-3	IKS-860-A	1-18		
IKS-724-N	8-12	IMAS-753-B	8-2	IK-792-A	1-3	IMS-860	1-18		
IKAS-724-N	8-12	IB-754-B	8-1	ILS-792-B	10-73	IMS-861	1-18		
IKS-724-P	8-12, 12-8	IK-754	8-6	IM-792	1-3	IM-868	1-18		
IMS-724	8-6, 12-8	IK-754	9-17	IB-794	1-3, 6-7	IM-868-A	1-19		
IA-727	9-4	IK-757-A	8-4, 9-12, 9-17	IM-794-B	1-3				
IF-727	9-4	IK-758	8-2	IB-795-E	1-4	IK-872	1-19		
IK-727	9-12	IKA-758	8-2	IK-795	1-4	IM-872	1-19		
IA-729-E	9-5	IKAF-758	8-2	IM-795-A	1-4	IK-872-A	10-73		
IKS-729	9-5, 9-12	IK-759-A	8-6	IM-795-B	1-4	IKS-876	11-1		
IKS-729-A	9-5, 9-12	IK-759-B	8-4, 9-12, 9-17	IM-795-C	1-4	IKS-876-A	11-1		
IK-729-C	9-16	IK-761	8-2	IM-795-D	1-4	ILS-876-B	11-1		
IK-729-D	9-16	IK-762-A	8-2			IMS-876-B	11-1		
IK-729-F	9-5	IK-762-B	8-2			IK-877	11-1		
IKS-729-H	9-5	IKSR-762-B	7-9, 8-2	IB-800-A	1-4	IK-878	7-15, 7-21, 11-1		
		IMS-762	8-2	IM-800	1-4	IH-879	2-20		
		IH-763	8-2	IK-805	11-1				
		IC-764	8-6	IMS-806	1-21	IH-881	2-20		
		IH-764	8-4, 8-6,	IMS-806-B	1-21	IK-881	2-20		
		IH-765	9-12, 9-17	IMS-806-C	1-21, 3-47	IB-882-A	5-6		
		IH-766	8-4, 8-6,	IK-808	1-21	IK-883	2-21		
		IB-767-C	9-12, 9-17	IB-809-A	1-21	IM-883-A	2-21		
		IK-768	8-2	IK-809	1-21	IM-883-D	2-21		
		IKS-768	8-2			IK-883-G	2-21		
		IMS-768	8-2	IK-812-A	1-21	IM-883-G	2-21		
		IK-771	7-12	IKS-815	1-4	IM-883-F	2-21		
		IMS-774	7-12	IMS-822	3-25	IBAS-884	4-1		
		IMS-774-A	7-12	IB-824	3-25	IK-884	3-4		
		IMS-774-B	7-12	IK-824	3-25	IK-885	2-21		
		IMS-774-C	7-13	IMS-826	7-5	IKS-885	2-21		
		IMS-774-D	7-13	IM-828	3-25	IK-885-C	2-22		
		IMAS-774-E	7-13			IK-886	2-22		
		IMSA-774-F	7-13	IM-830	3-27	IK-886-A	3-4		
		IMSR-774-D	7-13, 12-9	IK-830	3-27	IK-886-D	2-22		
		IMSR-774-D	7-13, 12-9	IK-835	3-27	IH-888	2-22		
		IMA-775	7-14	IK-839-B	3-27	IKS-889	2-22		
		IMS-775	7-14	IM-839-A	3-27	IMS-889	2-22		
				IK-840	3-27	IH-890-A	2-22		
				IHS-841	3-28	IB-892	2-22		
				IHS-841-A	3-28, 12-9	IHA-892-A	2-22		
				IKS-841	3-28, 12-10	IMA-892	2-22		
				IKS-841-A	3-28, 12-10	IM-892-A	2-22		
				IK-841-B	10-48	IK-893	2-22		
						IK-894	6-7		
						IH-895	2-22		
						IH-895-A	2-22		
						IK-897	6-7		

## NUMERICAL INDEX

Part Number	Page Number	Part Number	Page Number	Part Number	Page Number	Part Number	Page Number	Part Number	Page Number
IK-897-A	6-7	IK-949-A	1-12	IK-1020	6-8	IMS-1109	7-15	IMS-1109	7-15
IK-898	6-7	IKS-949-A	1-12,12-10	IM-1021	7-6	IMS-1109-A	7-15	IMS-1109-A	7-15
IK-898-A	6-7	IK-949-B	1-12	IMS-1021	7-6	IMS-1109-D	7-15		
IMS-898	6-7	IKS-949-C	1-12	IM-1021-A	7-6				
IMS-898-A	6-7	IKSA-949-C	1-12,12-10	IM-1023	7-6	IF-1110	9-17		
IKS-899	6-7	IKSAF-949-C	1-12,12-10	IMS-1023	7-6	IM-1110	7-16,7-21		
IKS-899-A	6-7	IKS-949-D	1-12	IMS-1023-A	7-6	IK-1112-A	7-21		
		IMS-949	1-12	IM-1023-B	7-6	IM-1112	7-16		
		IMS-949-A	1-12	IMS-1023-B	7-6	IM-1113	7-16		
IB-900	7-15	IK-950	1-7	IM-1024	7-6	IM-1113-A	7-16		
IK-900	6-7	IK-951	1-7	IM-1024-A	7-6	IM-1114	7-16		
IK-900-A	6-7	IK-952	1-12	IK-1025	10-64	IE-1115	7-16		
IB-901	7-15	IK-952-A	1-13	IK-1025-A	10-64	IK-1115	7-16		
IK-901	7-21	IK-952-B	1-13	IK-1025-B	10-64	IK-1115-B	7-16		
IH-902	6-7,7-5,7-15	IK-953	1-13	IK-1025-C	10-64	IM-1116-A	7-21		
IM-902	6-7,7-5	IK-954	1-13	IE-1028-B	7-26	IM-1116-B	7-21		
IM-902-A	6-7,7-5	IK-954-A	1-13	IF-1029-B	10-64	IM-1116-C	7-21		
IM-902-B	6-7,7-6	IEA-956-B	10-81	IM-1029-B	10-64	IM-1117	7-16,7-21		
IK-903	6-7,7-15	ICA-956-E	10-81	IM-1029	7-6	IK-1119	7-16		
IA-904	7-15	IH-957	7-15	IM-1030	7-6	IK-1119-A	7-16		
IK-904	7-21	IJ-957	10-81	IM-1033	7-6	IK-1119-B	7-16		
IM-904-B	7-21	IK-957	7-15,7-21	IK-1038	9-17,10-64	IMS-1119	7-16		
IM-906	6-7	IK-960	4-1,6-8,7-15			IMS-1119-A	7-21		
IM-906-A	6-7	IK-966-A	7-15	IF-1050	10-2	IMS-1119-B	7-21		
IMS-907	6-7	IK-969	7-6	IB-1052	10-2				
IMS-907-A	6-7	IK-977	7-6	IE-1053	10-2				
IK-908	6-7	IMAS-976	1-25	IA-1056					
IK-908-A	1-25,7-15	IMAS-976-A	1-25	IK-1063	6-8				
IK-908-B	1-25	IMAS-976-B	1-25	IK-1066	10-64				
IK-908-C	1-25	IMAS-976-C	1-25						
IB-909-A	7-8,10-64,10-68	IMAS-976-D	1-25	IB-1071	10-68				
IKS-910	7-8	IMAS-976-E	1-25	IK-1071	7-6				
IMS-910	7-8	IMAS-976-F	1-25	IL-1072	10-68				
IB-912	9-13	IMAS-976-G	1-25	IM-1072	7-6				
IH-912-A	7-8	IMAS-976-H	1-25	IB-1073	10-6,10-68				
IK-914	7-9	IMAS-976-I	1-25	IE-1074	7-6				
IK-914-A	10-5,10-22,10-48	IMAS-976-J	1-25	IH-1074	10-73				
IK-915	7-9	IMAS-976-K	1-25	IK-1075	7-6,10-2				
IK-915-A	10-5,10-22,10-48	IMAS-976-L	1-25	LL-1075	10-68				
IBA-916-A	10-5,10-22,10-48	IC-988-A	11-1	IK-1077	7-6				
IK-918	7-9	IB-989-A	11-1	IM-1077-A	7-6				
IK-918	7-6	IK-989	11-1	IM-1078	7-6				
IK-919	6-7	IH-995	11-1						
		IK-995	11-1	IL-1080	10-6,10-54				
IA-922	1-4	IK-996	11-1	IE-1082	8-2				
IH-923	7-9	IK-999	7-6	IH-1082	8-2				
		IKS-1000	1-24	IK-1084	6-8				
IK-930	10-64	IK-1003	3-3						
IK-931	10-64	IM-1003	3-3	IK-1096	3-29				
IK-932	10-64	IL-1003-A	3-3	IB-1099	3-29				
IK-933	10-64	IM-1003	3-3,3-4						
IK-935	2-22	IK-1004	7-6,10-64						
IM-939	6-7	IK-1005	2-15						
		IK-1005-A	2-15						
IB-940	6-7,7-15			IMS-1100	7-15,7-21				
IK-942	1-12	IK-1011	7-6	IMS-1100-A	7-15,12-10				
IKS-943-C	1-12	IK-1013-C	5-6	IMS-1100-A	7-21				
IKS-943-E	1-12	IK-1013-D	5-6	IMS-1100-B	7-15,12-10				
IMS-943	1-12	IK-1013-E	5-6	IMS-1100-C	7-15,7-21,12-10				
IM-943-A	1-7	IK-1013-F	5-6	IMS-1100-D	7-15,7-21,12-10				
IM-943-B	1-7	IB-1014	3-5,4-13,2-22	IMS-1100-E	7-21,12-10				
IKS-944	1-12	IK-1014	3-5	IMS-1100-F	7-21,12-11				
IMS-944	1-12	IK-1014-E	3-5,5-7	IMS-1100-G	7-15,7-21				
IK-945	1-12	IK-1014-F	3-5	IM-1101	7-15,7-21				
IH-946	1-12	IK-1014-G	2-22	IM-1102	7-15				
IMS-946-B	1-12	IK-1014-H	2-22	IK-1104	7-15				
IK-947	1-12	IK-1014-I	5-7	IKS-1104-A	7-15				
IM-947	1-12	IK-1014-J	1-21	IKS-1104-C	7-15				
IH-948	1-7,1-12	IM-1014	1-21	IM-1104	7-21				
IHB-949	1-7	IMS-1015	1-21	IKS-1105	7-15				
IK-949	1-12	IMS-1016	1-21	IK-1108	7-15				
IKS-949	1-12,12-10								



## NUMERICAL INDEX

Part Number	Page Number	Part Number	Page Number	Part Number	Page Number	Part Number	Page Number	Part Number	Page Number
IK-1527	10-3, 10-6, 10-22, 10-49	IK-1863	10-69	IMS-1711	3-29	IK-1851	1-13		
IK-1533	10-3	IK-1864	10-69	IMS-1711-A	3-37	IKS-1851-A	1-13		
IK-1534	10-3	IK-1864-A	10-69	IMS-1711-B	3-37	IKSA-1851-A	1-13, 12-12		
IK-1535	10-3	IK-1865-A	10-69	IMS-1711-C	3-37	IKSB-1851-A	12-12		
IK-1536	10-3	IKSR-1866	10-69	7A-1712	3-37	IK-1852	1-13		
IH-1537	10-3	IK-1867	10-69	IK-1712-B	3-37	IK-1852-B	1-13		
IK-1538	10-3	IKS-1867	10-69, 12-11	IK-1712-D	3-37	IM-1852	1-13		
IKS-1538	10-3	IK-1868-B	10-69	IKS-1713-A	3-37	IK-1853	1-13		
IKS-1538-A	10-3	IK-1869	10-69	IK-1714	3-38	IK-1854	1-13		
IKS-1538-A	10-3	IK-1670	10-69	7A-1715	3-38	IK-1854-A	1-13		
IH-1541	10-3	IK-1671	10-69	IM-1716	3-29	IK-1854-A	1-13		
IK-1542	7-7, 10-3	IKS-1671	10-69	IMS-1716	3-29	IKS-1855	1-13		
IK-1552	2-22	IK-1672	10-69	IM-1716-A	3-29	IKS-1855-A	1-14		
IKS-1553-A	2-23	IK-1673	10-69	IMS-1716-A	3-29	IKS-1855-B	1-14		
IMS-1556	2-23	IKS-1673	10-69	IM-1716-F	3-29	IK-1856	1-14		
IMSA-1556	2-23, 12-11	IKS-1673	10-70, 12-11	IMS-1716-F	3-29	IK-1857	1-14		
IK-1559	2-23	IK-1681	10-70	IM-1716-G	3-29	IK-1857-A	1-14		
IK-1580	2-23	IK-1681-B	10-70	IMS-1716-G	3-29	IK-1857-B	1-14		
IK-1561	2-23	IM-1681-A	10-70	IK-1717	3-29	IMS-1857	1-14		
IK-1562	10-68	IK-1682	10-70	IM-1720	3-30	IMS-1858	1-14		
IKS-1562	10-68	IK-1682-A	10-70	IMS-1720	3-30, 12-12	IK-1860	1-14		
IK-1569-A	2-23	IK-1683	10-70	IMS-1720-C	3-30	IKS-1860-B	1-14		
IK-1570	10-68	IKS-1683-A	10-70, 12-11	7A-1722	3-38	IK-1861	1-14		
IMA-1571-A	10-68	IKS-1686	10-70	IKS-1722	3-38, 12-12	IK-1861-A	1-14		
IK-1572	10-68	IKSR-1686-B	10-70, 12-12	IK-1723	3-38	IK-1862	1-14		
IK-1573	10-68	ILS-1686	10-70	IK-1724	3-30	IK-1862-B	1-14		
IH-1574	10-64	IMS-1686-A	10-70	IK-1725	3-38	IK-1863	1-14		
IK-1582	10-68	IK-1687	10-70	IL-1725-A	3-38	IK-1864	1-14		
IK-1583	10-68	IL-1687-A	10-70	IL-1726	3-38	IK-1865	1-14		
IK-1584	10-68	IK-1688	10-70	IMSR-1728-A	3-30, 12-12	IK-1866	1-14		
IKS-1586	10-69	IK-1689	10-70	IL-1729	3-30	IK-1867	1-14		
IK-1587	10-69	IK-1689-A	10-70	IM-1731	2-6	IK-1870	1-14		
IK-1588	10-69	IK-1690	10-70	IMS-1732	2-6	IK-1871	1-14		
IK-1589	10-69	IL-1690	10-70	IM-1734	2-6	IK-1872	1-15		
IK-1590	10-69	IK-1691	10-70	IM-1735	2-6	IK-1873	1-15		
IK-1592	10-69	IK-1692	7-17, 10-70	IK-1737	2-11	IKS-1874	6-8		
IK-1601	7-9	IKS-1701-B	3-35, 3-39	IL-1738	2-23	IKS-1878	6-8		
IK-1602	7-9	IKS-1701-C	3-35, 3-39	IK-1739-A	3-38	IK-1883	6-8		
IK-1604	7-9	IKS-1701-D	3-35, 3-39	IK-1740	3-38	IK-1884	6-8		
IM-1622	7-9	IKS-1701-E	3-35, 3-39	IK-1741	2-11	IKS-1885	6-8		
IMAS-1627	7-9	IM-1702	3-35	IK-1742	2-11	IK-1886	6-8		
IM-1629	7-9	IMS-1702	3-36	IK-1743	2-11	IKS-1887	6-8		
IM-1630	7-9	IMSA-1702	3-36, 12-12	IK-1744	2-11	IM-1889	6-8		
IK-1631	7-9	IMS-1702-A	3-36	IK-1746	2-11, 10-22	S-1900	10-40		
IKS-1634-A	7-9	IMSA-1702-A	3-36, 12-12	IK-1747	4-5	IMS-1901	3-47		
IK-1649	7-9	IM-1703	3-36	IK-1748	2-23	IM-1906	3-47		
IKS-1650	7-9	IMS-1703	3-36	IKAS-1750	3-22	IM-1908	3-47		
IKS-1655	10-69	IM-1703-A	3-36	IK-1751	3-22	IM-1909	3-47		
IKS-1656	10-69	IMS-1703-A	3-36	IKS-1752	4-11	IK-1910	3-48		
IK-1657	10-69	IM-1704	3-36	IKS-1753	4-11	IM-1912-A	3-48		
IK-1659	10-69	IMS-1704	3-36	IKS-1754	4-11	IM-1912-B	3-48		
IK-1660	10-69	IM-1704-A	3-36	IM-1755	2-23	IM-1913	3-48		
IK-1661	11-1	IMS-1704-A	3-36	IK-1757	2-23	IM-1914	3-48		
IK-1662	10-69	IM-1705	3-36	IK-1758	3-22	IMS-1915-A	3-49		
		IMS-1705	3-36	IKS-1784	3-22	IMS-1916	3-49		
		IM-1705-A	3-36	IK-1765	3-22	IM-1917	3-49		
		IMS-1705-A	3-36	IK-1768	3-22	IM-1918	3-49		
		IM-1706	3-36	IM-1834	1-13	IM-1918-A	3-49		
		IMS-1706	3-37	IMS-1835	1-13	IK-1919	3-49		
		IM-1706-A	3-37	IMS-1836	1-13	IKS-1920	3-49		
		IMS-1707	3-37	IMS-1837	1-13	IKS-1921	3-49		
		IM-1707	3-37	IM-1838	1-13	IKS-1922	3-49		
		IMS-1707-A	3-37	IM1840	1-13	IK-1924	3-49		
		IKS-1707-A	3-37, 12-12	IMS-1842	1-13	IM-1924	3-49		
		IK-1709	3-37	IMS-1843	1-13	IKS-1925-A	3-49		
		IKS-1709-A	3-37, 12-12			IKS-1926-A	3-49		

NUMERICAL INDEX

Part Number	Page Number	Part Number	Page Number	Part Number	Page Number	Part Number	Page Number	Part Number	Page Number
IK-1927	3-48	IK-2009	10-8	IKS-2046	10-9	IK-2077	10-10		
IM-1928	3-49	IK-2009-A	10-24, 10-49	IKS-2046-A	10-28	IK-2077-A	10-10		
IM-1929	3-49			IKS-2046-B	10-28, 10-50	IK-2078	10-11		
IK-1930	3-49	IK-2010	10-8	IKS-2049	10-9	IK-2079	10-11, 10-51		
IK-1931	3-49	IK-2010 A	10-24, 10-49	IKS-2049-A	10-28, 10-50	IK-2079	10-25		
IK-1932	3-49	IK-2011	10-8	IKS-2049-B	10-28, 10-50				
IK-1933	3-49	IK-2011-B	10-24, 10-49	IKSRA-2049-B	10-28, 12-13				
IK-1934	3-49	IK-2012	10-8, 10-24, 10-49	IKSRA-2049-B	10-9, 12-13				
IK-1935	3-49	IK-2013	10-49						
		IK-2014	10-24, 10-49	IK-2052	10-9, 10-28, 10-50	IK-2080	10-11		
S-1944	10-40	IKS-2015	10-8, 10-24	IK-2053	10-9, 10-28, 10-50	IL-1080	10-30		
		IKS-2015-A	10-24	IK-2054	10-9, 10-28	IK-2081	10-11		
IM-1991	3-49	IKS-2015-C	10-49	IK-2055	10-9, 10-25, 10-28	IKS-2082	10-11		
IK-1992	3-50	IKS-2018-A	10-24	IK-2056	10-40, 10-50, 10-60	IK-2084	10-11, 10-31, 10-54		
IK-1993	3-50	IKAS-2018-B	10-8, 10-24	IK-2056-A	10-28, 10-50	IK-2085	10-11, 10-31, 10-54		
IK-1994	3-50	IK-2019	10-8, 10-24, 10-49	IK-2057	10-9	IK-2086	10-11, 10-31, 10-54		
IK-1995	3-50	IK-2019-A	10-24, 10-49	IK-2058	10-9	IKS-2087	10-11		
IK-1996	3-50			IKS-2059-A	10-9, 10-30,	IK-2088	10-51		
		IK-2020	10-8, 10-24, 10-49		10-57, 10-60	IK-2089	10-11		
IK-2001	10-6	IK-2020-A	10-8, 10-24, 10-49	IK-2060-A	10-9, 10-15	IKS-2091	4-11, 10-11		
IK-2001-A	10-7	IK-2021	10-8, 10-24, 10-49	IKS-2061	10-9	IKS-2091-A	4-11, 10-11		
IK-2001-B	10-22	IK-2021-A	10-24, 10-49	IKSA-2061	10-9	IKS-2091-B	4-11, 10-11		
IKA-2001-C	10-22, 10-49	IK-2022	10-8, 10-24, 10-50	IKS-2061-A	10-9, 10-15	IKSR-2091-B	4-11, 10-11, 12-13		
IKA-2001-C	10-22	IK-2023-B	10-24, 10-50	IKS-2061-B	10-10	IKSR-2091-C	4-11, 10-11, 12-13		
IKSR-2001-C	10-22, 10-49	IKS-2024-B	10-8, 10-24, 10-50	IKSA-2061-B	10-30, 10-37	IKS-2091-D	4-11, 10-34		
IKSC-2001-H	10-7, 10-22	IK-2026	10-8, 10-24, 10-50	IKSA-2061-B	10-30	IKS-2091-G	4-12, 10-11		
IKSD-2001-H	10-7, 10-22	IK-2027	7-6, 7-7, 10-8,	IKAS-2061-B	10-30, 10-37	IMS-2091	4-12, 10-11		
IKSD-2001-J	10-22		10-15, 10-30, 10-37	IKASA-2061-B	10-30, 10-37	IMS-2091-A	4-12, 10-34		
IK-2002	10-7	IK-2028	10-54, 10-57, 10-60	IKSA-2061-C	10-30, 10-40	IM-2092	10-11, 10-31, 10-54		
IK-2002-A	10-23	IK-2029	10-8, 10-24, 10-30	IKSA-2061-D	10-30, 10-40	IK-2093	10-11, 10-31		
IK-2002-B	10-23	IK-2029-A	10-50, 10-54	IKS-2061-K	10-57	IM-2093	1-4, 10-11,		
IK-2002-C	10-23		10-8, 10-24, 10-40	IKSA-2061-K	10-54, 10-57	IK-2094	10-31, 10-54		
IK-2002-D	10-23	IK-2030	10-8	IKS-2061-L	10-60	IKS-2095	4-12, 10-11, 10-34		
IK-2002-E	10-23	IK-2030-A	10-24, 10-50	IKSA-2061-L	10-54, 10-60	IK-2097	1-19		
IK-2002-F	10-49	IK-2030-B	10-24, 10-50	IK-2062	10-10, 10-34	IK-2100	1-19		
IK-2003	10-7, 10-23	IK-2030-C	10-24	IK-2063	10-10, 10-34	IKS-2100	1-20		
IKA-2003-A	10-23, 10-49	IK-2031-A	10-8, 10-24	IK-2064	10-10, 10-25	IKS-2100-A	1-20		
IK-2004	10-8	IKS-2031-B	10-8, 10-25, 10-50	IKS-2066	10-10	IKS-2100-B	1-20		
IKS-2004-A	10-23	IKS-2032	10-8	IKS-2066-A	10-30	IKS-2100-C	1-20		
IK-2004-B	10-23	IKS-2032-A	10-25	IMS-2066	10-54	IK-2104	10-12, 10-31		
IKS-2004-C	10-23	IKS-2032-D	10-50	IMS-2066	10-10	IKS-2104	10-12, 10-31		
IK-2004-D	10-49	IKSA-2032-D	10-50	IKS-2066-A	10-30	IKSA-2104	10-12, 10-31		
IK-2005	10-8	IKS-2032-E	10-50	IK-2067	10-10, 10-34, 10-54	IKSB-2104	10-12, 10-31		
IK-2005-A	10-23	IKSA-2032-E	10-50	IK-2067-A	10-30	IKS-2104-A	10-31, 10-54		
IK-2005-B	10-49	IK-2033	10-9	IK-2068	4-15, 10-10, 10-34	IKS-2104-A	10-31, 10-54		
IK-2006	10-8	IK-2033-A	10-25	IKS-2070	10-10, 10-18	IKSA-2104-A	10-31, 10-54		
IK-2006-A	10-8	IK-2033-B	10-50	IKS-2070-A	10-34, 10-43	IKSB-2104-A	10-31, 10-54		
IK-2007	10-23, 10-49	IK-2034	10-9	IK-2071	10-10, 10-30, 10-40	IKS-2105	10-25, 10-51		
IKSA-2007-A	10-8, 12-12	IKS-2035-A	10-25, 10-50	IK-2072	10-51, 10-60	IK-2105-A	10-12, 10-31, 10-54		
IK-2007-A	10-8	IKS-2035-B	10-25	IK-2073	10-10, 10-30, 10-40	IK-2106	10-25, 10-51		
IKSB-2007-A	10-8, 12-12	IK-2035-D	10-25	IK-2074	10-30, 10-40	IK-2107	10-12, 10-31		
IK-2007-B	10-23	IK-2035-E	10-50	IK-2075	10-10	IKA-2107	10-55		
IKSA-2007-B	10-23, 12-13	IK-2036-A	10-9, 10-25	IKS-2075-A	10-10	IK-2107-A	10-55		
IKSB-2007-B	10-24, 12-13	IK-2037	10-9, 10-25	IKS-2075-B	10-30	IK-2108	10-12, 10-32		
IK-2007-C	10-23, 10-49, 12-13	IKS-2038	10-9, 10-25	IKS-2075-D	10-54	IK-2109	10-12, 10-32, 10-55		
IKS-2007-C	10-23	IKS-2038-A	10-9	IKS-2076	10-10				
IKS-2007-C	10-23	IK-2039	10-9, 10-25	IKS-2076-A	10-10	IKA-2117	10-34		
IKSA-2007-C	10-23			IKS-2076-B	10-10	IK-2118	10-34		
IKASA-2007-C	10-23, 12-13	IK-2041	10-9, 10-28, 10-50	IKAS-2076-C	10-62	IK-2119	10-35		
IKSB-2007-C	10-24, 12-13	IK-2042	10-9	IKSR-2076-C	10-45, 10-62, 12-13				
IKSA-2007-C	10-24, 12-13	IK-2042-A	10-9, 10-28, 10-50	IKS-2076-D	10-51, 10-45,	IK-2122	10-25		
IKSA-2007-D	10-49, 12-13	IK-2043-B	10-28, 10-50	IKS-2076-E	10-54, 10-62,	IK-2123	10-25		
IKSB-2007-D	10-49, 12-13	IKS-2043-B	10-9, 10-28, 10-50	IKS-2076-E	10-31, 10-45,	IK-2124	10-25		
IK-2008	10-8	IK-2044	10-9, 10-28, 10-50	IKSA-2076-E	10-45, 10-62				
IKS-2008-A	10-24	IK-2045	10-9						
IKS-2008-D	10-49	IK-2045-A	10-28, 10-50						

## NUMERICAL INDEX

Part Number	Page Number	Part Number	Page Number	Part Number	Page Number	Part Number	Page Number	Part Number	Page Number
IKS-2125	10-25	IK-2216	10-15	IK-2262	10-41	IKS-2460	3-30		
IKS-2126	10-25	IK-2217	10-15	IK-2263	10-41	IKS-2460-A	3-30		
IKS-2126-A	10-25	IK-2218	10-15	IK-2264	10-28, 10-41, 10-51	IKAS-2460-A	3-30		
IK-2128-A	10-25	IK-2219	10-15, 10-37, 10-57, 10-60	IK-2265	10-41	IKS-2460-B	3-30		
IK-2129	10-25					IKS-2460-C	3-30		
IK-2130-A	10-25	IK-2220	10-15	IK-2282	10-32				
IK-2131-A	10-25	IK-2221	10-15	IK-2283	10-41	IMSRA-2600	7-22, 12-14		
IK-2132-A	10-25	IKS-2221	10-15			IMSRA-2600-A	7-22, 12-14		
IK-2133	10-25	IKS-2221-A	10-16	IK-2301	10-18	IK-2602	7-22		
IK-2134-A	10-51	IKS-2221-B	10-16	IKS-2301-A	10-43	IKS-2602	7-22		
IK-2136	1-4, 10-32	IKS-2221-B	10-37	IKS-2301-A	10-43	IKRS-2603	7-22		
IK-2137	10-26, 10-51	IKS-2221-D	10-16	IK-2302	10-18	IKRS-2603-A	7-22		
IK-2137-A	10-26, 10-51	IK-2222-A	10-16	IK-2303	10-43	IK-2604	7-22		
IKR-2138	10-26	IK-2222-B	10-16	IK-2304	10-18, 10-43	IKS-2604	7-22		
		IK-2222-C	10-32	IK-2305	10-18, 10-43	7A-2605	7-23		
IKAS-2141	10-26	IK-2222-D	10-32	IK-2306	10-18, 10-43	7A-2606	7-23		
IK-2143	10-26	IK-2223	10-16	IK-2307	10-18, 10-43	IK-2608	7-23		
IK-2145	10-26	IK-2224	10-16	IK-2308	10-18, 10-43	IKA-2609	7-23		
		IK-2223-A	10-37, 10-57	IK-2309	10-18, 10-43				
IK-2156	10-51	IK-2225	10-16			IK-2610	7-23		
IK-2156-A	10-51	IK-2226	10-16	IK-2310	10-18, 10-43	IK-2612	7-23		
IK-2156-B	10-51	IK-2226-A	10-16	IK-2311	10-18, 10-43	IK-2615	7-23		
IK-2157-A	10-51	IK-2227	10-16, 10-37, 10-40, 10-57, 10-60	IK-2312	10-18, 10-43	IK-2617	7-23		
IK-2157-B	10-51			IK-2313	10-18, 10-43				
IK-2158-A	10-51	IK-2228	10-16, 10-37, 10-40, 10-57, 10-60	IK-2314	10-43	IKS-2951	1-4		
IK-2158-B	10-51	IK-2229	10-16	IK-2315	10-43	IK-2953	1-4		
IKS-2159	4-12	IK-2229-A	10-37, 10-57	IK-2316	10-43	IKS-2954	1-5		
				IKS-2317-A	10-51	IKS-2956	1-5		
IK-2167-B	10-55	IK-2229-A	10-37, 10-57	IKS-2317-B	10-51	IKS-2957	1-5		
				IK-2318	10-51				
IKS-2201	10-15, 10-37	IKS-2230	10-16	IK-2319	10-51	IK-2960	1-5		
IK-2201-A	10-40	IK-2231	10-16, 10-37, 10-57, 10-60			IKS-2961	1-5		
IK-2201-B	10-40	IK-2231-A	10-40	IK-2320	10-51	IK-2964-A	1-5		
IKS-2201-C	10-37	IKS-2232	10-16	IKS-2321	10-51	IKS-2965	1-5		
IKS-2201-F	10-60	IK-2233	10-16	IK-2322	10-51	IK-2967	1-5		
IKS-2201-G	10-57	IK-2233-A	10-37, 10-57	IKS-2351	10-12	IK-2968	1-5		
IK-2202	10-15	IK-2234	10-16	IKS-2352	10-12	IK-2969	1-5		
IK-2202-A	10-37, 10-57	IK-2236	10-37, 10-57	IKS-2353	10-12				
IKSR-2202-A	10-37	IK-2237	10-37, 10-57	IK-2354	10-12	IK-2970	1-5		
IKSFA-2202-A	10-12, 10-15, 12-13	IK-2238	10-37, 10-57	IK-2355	10-12	IK-2971	1-5		
IKSFB-2202-A	10-12, 10-15, 12-14	IK-2239	10-37, 10-58	IK-2356	10-12				
IK-2202-B	10-40			IK-2357	10-12	IA-3028-A	9-17		
IKS-2202-C	10-40	IK-2240-A	10-38, 10-58	IK-2358	10-12	IMA-3301	10-73		
IK-2202-E	10-60	IKS-2241	10-38			IMA-3302	10-73		
IK-2203	10-15, 10-37, 10-57, 10-60	IKSA-2241	10-58	IK-2361	10-45, 10-62	IMA-3303	10-73		
IK-2203-B	10-40	IK-2242	10-38, 10-58	IKS-2361	10-45, 10-62	IMS-3306	10-73		
IKS-2204	10-40	IKA-2243	10-38, 10-58	IKSA-2361	12-14, 10-45, 10-62	IMS-3308	10-73		
IKS-2204-A	10-15, 10-37, 10-57, 10-60	IK-2243-A	10-58	IKSB-2361	10-45, 10-62				
IKS-2204-B	10-40	IK-2244	10-38, 10-58	IKA-2362	10-45, 10-62	IE-3314-A	10-73		
IKS-2205	10-15	IKSR-2246	10-12, 10-35	IKAS-2362	10-45, 10-62	IE-3318	10-73		
IKS-2206	10-15	IKSR-2246-A	10-12, 10-35	IK-2363	10-45, 10-62	IL-3318	10-73		
IKS-2206-A	10-15	IK-2247	10-38, 10-58	IK-2364	10-45, 10-62				
IKS-2207	10-15	IK-2251	10-40	IK-2365	10-45, 10-62	ILS-3320	10-73		
IKS-2207-A	10-15	IKS-2251-A	10-40	IKA-2366	10-45, 10-62	ILS-3321	10-73		
IKS-2207-B	10-37, 10-57	IKS-2252	10-40	IK-2367	10-45, 10-62	IE-3322	10-73		
IKSA-2207-B	10-37, 10-57	IKS-2252-A	10-40	IK-2368	10-45, 10-62	IMS-3323	10-73		
IKS-2208	10-15	IK-2253	10-40	IK-2369	10-45, 10-62	ILS-3326	10-73		
IKS-2209	10-15	IK-2253-A	10-40			IL-3329-B	10-73		
IKS-2209-A	10-37, 10-57	IK-2254	10-60	IK-2370	10-45, 10-62				
		IK-2254-A	10-40	IK-2371	10-45, 10-62	IL-3330	10-73		
		IK-2254-A	10-40	IK-2372	10-45, 10-62	IL-3330-A	10-73		
IK-2210	10-15	IK-2255	10-40	IK-2373	10-45, 10-62	ILSR-3330-A	10-74, 12-14		
IKS-2210-B	10-40	IKA-2255	10-40	IK-2374	10-45, 10-62	IL-3330-B	10-73		
IKS-2210-C	10-37, 10-57	IKS-2256	10-40	IK-2375	10-45, 10-62	ILSR-3330-B	10-74		
IK-2210-D	10-60	IKS-2256	10-40	IK-2376	10-45, 10-62	IE-3332	10-74		
IK-2211	10-15, 10-37, 10-57	IK-2256-A	10-40	IK-2377	10-45, 10-62	ILS-3333	10-74		
IK-2212	10-15, 10-60	IKS-2258-A	10-40	IK-2378	10-45, 10-62	IE-3333	10-74		
IKS-2213	10-15	IK-2258-B	10-60	IK-2379	10-45, 10-62	IK-3333	10-74		
IK-2213-A	10-37, 10-57					ILS-3334-B	10-74		
IK-2214	10-15	IK-2260-A	10-41	IK-2380	10-45, 10-62	IMS-3334	10-74		
IK-2215	10-15	IK-2261	10-41, 10-60	IK-2381	10-45, 10-62	IE-3336	10-74		
				IK-2382	10-45, 10-62	IL-3336	10-74		
						IE-3337	10-74		

## NUMERICAL INDEX

Part Number	Page Number	Part Number	Page Number	Part Number	Page Number	Part Number	Page Number	Part Number	Page Number
1L-3337	10-74	IK-4041	3-50	IH-5300	3-30	IKRS-5805	2-32		
1L-3338	10-74	IK-4042	3-50	IH-5300-A	3-30	1K-5605-A	3-32		
1LA-3339	10-74	IK-4043	3-50	IKS-5300	3-30	1K-5806	3-32		
		IK-4044	3-51	1B-5301	3-30	1K-5806-A	3-32		
1M-3340	10-74	IK-4045	3-51	1C-5301	3-30	1K-5807	3-32		
1L-3340-A	10-74	IK-4046	3-51	1J-5301	3-30	1K-5808	3-32		
1M-3341	10-74	IK-4047	3-51	1B-5302	3-31	1K-5809	3-32		
1LS-3341-A	10-74	IK-4048	3-51	1CS-5302	3-31				
1L-3342	10-74	IK-4049	3-51	1JS-5302	3-31	1K-5610	3-32		
1MS-3344	10-74	IK-4050	3-51	1B-5303	3-31	1K-5611	3-32		
1MS-3344-A	10-75	IK-4051	3-51	1C-5304	3-31	1K-5612	3-32		
1MS-3344-B	10-75			1J-5304	3-31	1K-5613	3-32		
1LS-3346-A	10-75	IK-4071	3-51	1K-5304	3-31	IKS-5614	3-33		
1LS-3346-B	10-75	IK-4072	3-51	1BS-5305	3-31	IKS-5614-A	3-33		
1LS-3346-C	10-75	IK-4073	3-51	1BS-5305-A	3-31	1K-5615	3-33		
1LS-3346-D	10-75	IK-4074	3-51	1JS-5305	3-31	1K-5616	3-33		
1L-3351	10-75	IK-4075	3-51	IKS-5305	3-31	1K-5617	3-33		
1LS-3351	10-75	IK-4076	3-51	1BS-5307-A	3-31	1K-5618	3-33		
1L-3351-A	10-75			1J-5307	3-31	IKS-5618-A	3-33		
1LS-3351-A	10-75, 12-14			IKS-5307	3-31	1K-5619	3-33		
1L-3352	10-75	IK-4085	3-51	IKS-5307	3-31				
1L-3352-A	10-75	IK-4086	3-51	1K-5307-A	3-31	1K-5620	3-33		
1L-3353	10-75	IK-4087	3-51	IHS-5309	3-31	1K-5621	3-33		
1L-3353-A	10-75	IK-4088	3-51	IH-5309-A	3-31	1K-5621-A	3-33		
1L-3354	10-75					1K-5623	3-33		
1L-3354-A	10-75			IHSA-5325	3-31	1K-5624	3-33		
1LS-3355	10-75	IKS-5001-B	3-24	1K-5351	3-31	1K-5625	3-33		
1L-3355-A	10-75	1CS-5003-A	7-7	1LA-5351	3-31				
1L-3357	10-75	IKS-5003	7-7	IK-5353	3-31	1K-5701	3-39		
1L-3358	10-76	IHS-5004	7-7	IK-5353-A	10-26, 10-51	1K-5701-A	3-40		
1L-3359	10-76	IMS-5004	7-7	1L-5353	3-31	1K-5702	3-40		
		IMS-5005	7-7	IK-5354	3-31	1K-5703	3-40		
		IMS-5007	7-7	IK-5355	3-31	1K-5704	3-40		
1LBS-3361-B	10-76	1BS-5008-A	9-17	1L-5355	3-31	1K-5704-A	3-40		
1LAS-3361-C	10-76	1BS-5008-B	10-65	IK-5356	3-31	1K-5704-B	3-40		
1LS-3363-C	10-76	IKS-5008	10-65	IK-5357	3-32	1K-5705	3-41		
1L-3365-A	10-76	1CS-5010	10-71	IK-5357-A	3-32, 10-26, 10-51	1K-5706	3-41		
1LS-3366	10-76	IKS-5010	6-8	IK-5361	3-32	1K-5707	3-41		
1LS-3366-A	10-76	1BS-5012-A	9-18	IK-5362	3-32	1K-5708	3-41		
		IMS-5012	7-26	1KA-5363-A	10-26, 10-52	1K-5708-A	3-41		
		IMAS-5012	7-26, 9-18	IK-5363	3-32	1K-5709	3-41		
		IMAS-5012-A	7-26	IK-5364	10-26, 10-52				
		IMAS-5012-A	7-26	IK-5364-A	10-26, 10-52				
		IAS-5013	9-6	IK-5366	3-32				
		1BS-5013	9-18	1L-5366	3-32				
		1BS-5013-A	9-6	IK-5500-A	2-11				
IK-4001	3-50	IKS-5013	9-4	IK-5500-B	2-11				
IK-4002	3-50	IAS-5014-A	9-7	IKS-5500-C	2-11				
IK-4003	3-50	1BS-5014-A	9-7	IK-5502	2-11				
IK-4004	3-50	1BS-5014-A	9-7	1B-5505-B	2-11				
IK-4005	3-50	IKS-5014	9-4	IK-5506	2-11				
IK-4006	3-50	IKS-5016	10-71	IKS-5506	2-11				
IK-4007	3-50	IHS-5018	9-8	1M-5507	2-11				
IK-4008	3-50	IKS-5018	8-4	1B-5508-C	2-11				
IK-4009	3-50	IHS-5019	8-4, 8-6, 9-14, 9-18	IK-5520	2-11				
				IKS-5521	2-11				
IKS-4010	3-50	IMS-5020	7-23	IK-5600	3-32				
IKS-4011	3-50	IKS-5021	7-17, 7-23	IKS-5600-A	3-32				
IK-4012	3-50	IDS-5022	6-8	IKS-5600-B	3-32				
IK-4013	3-50	IKS-5022	6-8	IKS-5600-C	3-32				
IK-4014	3-50	IHS-5026	10-65	IKS-5602-A	3-32				
IK-4015	3-50	IKS-5026	10-71	1K-5603-A	3-32				
IK-4016	3-50	IKS-5030-A	10-71	1K-5604	3-32				
IK-4017	3-50	IKS-5031	10-71	1K-5605	3-32				
IK-4018	3-50	1LS-5035	10-76						
IK-4019	3-50	IKS-5038	9-4						
		IKS-5039	9-4						
IK-4020	3-50			IKS-5600	3-32				
IK-4021	3-50	IKS-5041	10-12, 10-28, 10-51	IKS-5600-A	3-32				
IK-4022	3-50	IKS-5042	10-12, 10-28, 10-51	IKS-5600-B	3-32				
IK-4023	3-50			IKS-5600-C	3-32				
IK-4024	3-50			IKS-5602-A	3-32				
IK-4025	3-50			1K-5603-A	3-32				
IK-4026	3-50	IK-5201-A	4-5	1K-5604	3-32				
IKS-4027	3-50			1K-5605	3-32				



## NUMERICAL INDEX

Part Number	Page Number	Part Number	Page Number	Part Number	Page Number	Part Number	Page Number	Part Number	Page Number	Part Number	Page Number
IK-5728-B	3-42	IK-5779	3-44	IB-6054-B	3-3	IK-6820	8-13,9-14				
IK-5729	3-42	IK-5779-A	3-44	IK-6054	3-3	IK-6621	8-13,9-14				
IKS-5729	3-42			IM-6054	3-3	IAS-6822	8-13,9-14				
				IM-6054-A	3-3	IA-6823	8-13,9-15				
IK-5730	3-42	IK-5780	3-44	IB-6058	3-3						
IK-5731	3-42	IK-5781	3-44	IB-6058-A	3-3	IC-6951	8-10				
IK-5732	3-42	IK-5782	3-44	IK-6058	3-3	ICA-6952	1-15,8-10				
IK-5733	3-42	IK-5783	3-44	IK-5783-A	3-44	IK-6952	8-10				
IK-5734	3-42	IK-5784	3-44	IK-5784	3-44	IC-6953-A	8-10				
IK-5735	3-42	IK-5785	3-44	IK-5785	3-44	IA-6954-A	8-10				
IK-5736	3-42	IK-5786	3-44	IK-5786	3-44	IC-6955	8-10				
IK-5737	3-42	IK-5787	3-44	IK-5787	3-44	IC-6956	8-10				
IK-5738	3-42	IK-5787-A	3-44	IK-5787-A	3-44	IK-6958-A	8-10				
IK-5738-A	3-42	IK-5788	3-44	IK-5788	3-44	IK-6958-B	9-15				
IK-5739	3-42	IK-5788-A	3-44	IKS-6750-B	3-44	IK-6958-C	8-10				
		IK-5789	3-44	IK-6751	8-9	IK-6958-D	8-13				
IK-5740	3-42			IKS-6751	8-9	IK-6958-E	8-13				
IK-5741	3-42	IK-5790	3-44	IK-6752	8-9	IK-6958-F	8-13				
IK-5742	3-42	IK-5791	3-44	IK-6752-A	8-12,9-14	IM-6958	8-6				
IK-5743	3-42	IK-5791-A	3-45	IA-6753-A	8-12,9-14	IK-6959	8-6,8-10, 8-13,9-15				
IKS-5743	3-42	IK-5792	3-45	ID-6753	8-9						
IKS-5744-A	3-42	IK-5793	3-45	ID-6754	8-9						
IK-5745	3-43	IK-5794	3-45	ID-6755	8-9						
IK-5745-A	3-43	IK-5795	3-45	ID-6755-A	8-9	IK-6959-A	8-13,9-15				
IK-5746	3-43	IK-5795-A	3-45	IA-6756-A	8-13,9-14	IK-6960	8-13				
IK-5746-A	3-43	IK-5796	3-45	IK-6756	8-9						
IK-5747	3-43	IK-5796-A	3-45	IKSR-6756	8-9	IK-6960-A	8-13				
IK-5747-A	3-43	IK-5797	3-45	IA-6757-A	8-13,9-14	IK-6961	9-15				
IK-5748	3-43	IK-5797-A	3-45	ID-6757	8-10,12-15						
IKS-5748	3-43	IK-5798-B	3-45	IK-6758	8-13,9-14	IDS-7002-C	10-80				
IK-5748-A	3-43	IK-5799	3-45	IK-6758-A	8-10	IKS-7002-A	10-79				
IKS-5748-B	3-43	IK-5799-B	3-45	IK-6758-B	8-10	IKS-7002-E	10-79				
IKS-5748-C	3-43,12-15			IK-6759	8-13	IK-7002-F	10-80				
IK-5749	3-43	IK-5800	3-45	IK-6759	8-9	IK-7002-K	10-80				
		IK-5801	3-43	IKSR-6759	8-9	IK-7002-L	10-80				
		IK-5802	3-45	IA-6763-A	8-13,9-14	IKS-7002-J	10-80				
IK-5750	3-43	IK-5802	3-45	IK-6763	8-10	IMS-7002	10-79				
IK-5751	3-43	IK-5803	3-45	IK-6764	8-10	IB-7006	9-18				
IK-5752	3-43	IK-5804	3-45	IA-6765-A	8-13,9-14	IB-7006-A	9-18				
IKA-5753	3-43	IK-5805	3-45	IK-6765	8-10	ID-7006	9-7				
IK-5754	3-43	IK-5806	3-38	IKS-6767	8-10	ID-7006-A	10-80				
IK-5754-A	3-43	IK-5807	3-38,3-45	IKSA-6767-A	8-13,12-15	IAS-7009-A	9-7				
IK-5755	3-43	IK-5808	3-38	IKS-6767-B	8-13	IKS-7009	9-7				
IK-5756	3-43	IK-5809	3-45	IKSA-6767-A	8-13,12-15	IKS-7009-A	9-15				
IK-5757	3-43			IKS-6767-B	9-14	IKAS-7009	9-7				
IK-5758	3-43	IK-5810-A	3-45	IKSA-6767-B	8-13,9-14	IKAS-7009-A	9-15				
IK-5759	3-43	IK-5810-B	3-45	IA-6769	8-10	IK-7009-B	9-18				
		IK-5811-A	3-45	ID-6769	8-10	IKS-7009-C	9-7				
		IK-5812-B	3-45								
IK-5760	3-43	IK-5813-A	3-45	IA-6770	8-13,9-14						
IK-5761	3-43	IK-5814-A	3-45	ID-6770	8-10	IB-7011-A	9-18				
IK-5762	3-43	IK-5815	3-45	ID-6771	8-10	IB-7011-B	10-80				
IL-5762	3-43	IK-5816	3-45	IK-6772	8-10	ID-7011	9-7				
IK-5763	3-43	IK-5817	3-45	IK-6772-A	8-13	ID-7011-B	10-80				
IK-5764	3-43	IK-5818	3-45	IK-6772-B	9-14	IK-7011-B	10-80				
IL-5764	3-43	IK-5819	3-45	IA-6774-A	8-13,9-14	IK-7011-C	9-7				
IK-5765	3-43	IK-5819-A	3-45	IF-6774	8-10						
IK-5766	3-43	IK-5819-B	3-45	IA-6775-A	8-13,9-14	IK-7324	4-5,4-15				
IK-5767	3-43	IK-5820	3-45	IF-6775	8-10	KA-7324	4-5,4-16				
IK-5768	3-43	IK-5820-A	3-45	ID-6784	8-10	IK-7325	4-5				
IK-5769	3-43	IKR-5821	3-46	IK-6784	8-10	IK-7326	4-16				
		IK-5876	3-38	IA-6787-A	8-13,9-14	IK-7328	4-5				
IK-5770	3-43	IK-5877	3-38	IK-6787	8-10	IK-7329	2-24,4-17				
IK-5771	3-44	IK-5878	3-38	ID-6788	8-10						
IKS-5773	3-44	IK-5879	3-38			IK-7331	2-24				
IKAS-5773	3-44			IK-6803	8-10	IK-7331-A	2-25				
IKSR-5773	3-44	IK-5880	3-38	IK-6803-A	8-10	IK-7331-B	2-25				
IKS-5773-C	3-44	IK-5881	3-38	IK-6804	8-13,9-14	IK-7332	2-11,2-25				
IK-5774	3-44	IK-5882	3-38	IK-6805	8-10	IK-7333	2-25				
IKS-5774	3-44	IK-5883	3-38	IA-6817	8-13,9-14	IK-7334	2-25,12-15				
IK-5775	3-44	IK-5884	3-38	IA-6818	8-13,9-14	IK-7335	2-25				
IK-5776-A	3-44	IK-5885	3-38	IK-6819	8-13,9-14	IK-7337	2-25				
IKS-5777	3-44	IK-5886	3-38			IK-7338	2-25				
IKS-5777-A	3-44										
IK-5778	3-44					IK-7351	4-5,4-19				
						IK-7351-A	4-5,4-22				
						IK-7351-B	4-5,4-22				

## NUMERICAL INDEX

Part Number	Page Number	Part Number	Page Number	Part Number	Page Number	Part Number	Page Number	Part Number	Page Number	Part Number	Page Number
IK-7351-C	4-5,4-19	IH-7385	4-8	IK-7434	4-18	IKS-7621	3-15				
IK-7351-D	4-6,4-22	IK-7385-B	4-8	IK-7434-A	4-18	IK-7621-A	3-15				
IK-7351-F	4-6,4-25	IM-7385	4-8	IH-7436	4-18,4-19,4-22, 4-28,4-31	IKS-7622	3-15				
IK-7351-G	4-6,4-25	IH-7387	4-8			IFS-7623	3-9				
1D-7352-D	4-6	IK-7387	4-8	IH-7437	4-18	IHS-7623	3-9				
IHA-7353	4-6	IK-7387-A	4-8	IK-7438-A	4-18,4-31	IK-7623	3-15				
1A-7354-A	4-6	IK-7387-B	4-8	IH-7439	4-18	IMS-7623	3-12				
IK-7354	4-6	IM-7387	4-8			IH-7625	3-9				
IK-7354	4-6	7A-7388	4-8	IH-7440	4-18	IK-7625	3-15				
IK-7354-A	4-6	7A-7388-A	4-8	IB-7441	4-18	IK-7625	3-15				
IK-7354-B	4-6	IH-7388	4-8	IK-7441-A	4-18	IKAS-7625	3-15				
IK-7354-C	4-6	IH-7388-A	4-8	IK-7442	4-18	1B-7626-B	3-15				
IK-7357	4-6	IK-7388	4-8	IK-7443	4-18	1F-7626	3-9				
IK-7357-A	4-6	IK-7388-A	4-8	IK-7444	4-18	IH-7626	3-9				
IHA-7358	3-6,4-6	IM-7388	4-8	IK-7445	4-18	IK-7626	3-12				
		IM-7388-A	4-8	IK-7449	4-31	IK-7627	3-15				
		1B-7389	4-8			IKS-7627	3-15				
		IK-7389	4-8	IK-7600-B	3-15	IH-7628	3-9				
				IKS-7600-B	3-15,12-15	IKAS-7628	3-9				
				IKS-7600-C	3-15,12-15	IM-7628	3-12				
				IMS-7600	3-8,12-15	IK-7629-B	3-9				
				IMS-7600-A	3-8,12-15	IM-7629	3-9				
				IMS-7600-B	3-12	IM-7629-A	3-9				
				IK-7601	3-8	IM-7629-B	3-12				
				IKS-7601	3-8,12-15						
				IK-7601-A	3-15	1A-7630	3-9				
				IKS-7601-A	3-15,12-15	IH-7630	3-9				
				IKSA-7601-A	3-15,12-15	IK-7630	3-15				
				IM-7601	3-8	IM-7630	3-12				
				IMS-7601	3-8,12-15	1B-7631-A	3-16				
				IMS-7601-A	3-8,12-15	IHS-7631	3-9				
				1B-7602-A	3-15	IKS-7631	3-9				
				1B-7603	3-15	IMS-7631	3-12				
				IK-7603-A	3-15	1B-7632-A	3-16				
				IHS-7605	3-8	IH-7633	3-9				
				IKS-7605	3-8	IH-7634	3-9				
				IMS-7605	3-12	IK-7634	3-9				
				IKS-7606	3-8	IM-7634	3-9				
				IMS-7606	3-8	IM-7634-A	3-12				
				1B-7602-A	3-8	IHS-7635	3-9				
				1B-7603	3-15	IKS-7635	3-9				
				IK-7603-A	3-15	IMS-7635	3-12				
				IHS-7609	3-8	1B-7636-A	3-16				
				IHS-7609	3-8	IH-7636	3-9				
				IKS-7609	3-8	IK-7636-B	3-16				
				IMS-7609	3-8	1B-7637-A	3-16				
				IH-7610	3-12	IK-7637	3-9				
				IK-7610	3-8	1B-7638-A	3-16				
				IM-7611	3-8	IK-7638-B	3-9				
				IH-7612	3-12	IM-7638	3-9				
				IM-7612	3-8	IM-7638-A	3-12				
				1A-7613-A	3-8	1B-7639-B	3-16				
				IH-7613	3-8	IH-7639	3-9				
				IM-7613	3-12	IK-7639	3-9				
				IK-7614	3-8						
				IKS-7614-B	3-8						
				IMS-7614	3-8						
				IMS-A-7614	3-8						
				IMS-7614-A	3-12						
				IK-7615-B	3-8						
				IK-7616	3-15						
				IH-7617	3-8						
				IK-7617	3-15						
				IKS-7618	3-15						
				IH-7619	3-9						
				IH-7620	3-9						
				IK-7620	3-15						

NUMERICAL INDEX

Part Number	Page Number	Part Number	Page Number	Part Number	Page Number	Part Number	Page Number	Part Number	Page Number	Part Number	Page Number
IK-7646	3-16	IB-7710	4-29	IK-7777-A	4-23	IB-7837	4-21, 4-24, 4-26	IA-7854	4-21, 4-24, 4-27	IK-7877	4-21, 4-24
IM-7646	3-12	IK-7710	4-32	IK-7777-B	4-26	IK-7837	4-26	IB-7854	4-21, 4-24	IK-7878	4-21, 4-24
IB-7648	3-16	IB-7711	4-29	IB-7778-A	4-23	IB-7838	4-21, 4-24, 26	IK-7854	4-21, 4-24	IK-7879	4-21, 4-24
IH-7648	3-9	IB-7712	4-29	IK-7778	4-20, 4-23, 4-26	IB-7839	4-21, 4-24, 27	IB-7855	4-21, 4-24	IK-7880	4-21, 4-24
IK-7649	3-16	IB-7713	4-29	IB-7779	4-20, 4-23	IB-7840	4-21, 4-24	IK-7856	4-21, 4-24	IK-7881	4-21, 4-24
IM-7649	3-12	IB-7714	4-29	IK-7779	4-26	IB-7841	4-21, 4-24	IB-7857	4-21, 4-24	IK-7882	4-21, 4-24
IM-7650	3-12	IK-7714	4-32	IB-7780	4-20, 4-23	IA-7842	4-21, 4-24	IB-7858	4-21, 4-24	IK-7883	4-21, 4-24
IF-7651	3-10	ID-7715	4-29	IK-7780	4-20, 4-23	IB-7844	4-21, 4-24	IB-7859	4-21, 4-24	IK-7884	4-21, 4-24
IK-7651	3-10	IK-7715	4-32	IK-7780-A	4-26	IK-7844	4-21, 4-24	IK-7860	4-21, 4-24	IK-7885	4-21, 4-24
IH-7653	3-16	IB-7716	4-29	IK-7781	4-20, 4-23	IB-7845	4-21, 4-24	IK-7861	4-21, 4-24	IK-7886	4-21, 4-24
IF-7654	3-10	IK-7716	4-32	IB-7782	4-26	IB-7846	4-21, 4-24	IK-7862	4-21, 4-24	IK-7887	4-21, 4-24
IH-7654	3-10	IK-7717	4-29	IK-7783	4-20	IB-7847	4-21, 4-24	IK-7863	4-21, 4-24	IK-7888	4-21, 4-24
IM-7654	3-12	IB-7719	4-29	IK-7784	4-20, 4-23, 4-26	IK-7848-A	4-21, 4-24	IK-7864	4-21, 4-24	IK-7889	4-21, 4-24
IH-7655	3-10	IB-7720	4-29	IK-7785	4-26	IK-7848-B	4-21, 4-24	IK-7865	4-21, 4-24	IK-7890	4-21, 4-24
IHS-7655	3-10, 12-16	IB-7721	4-29	IK-7786	4-20	IK-7849	4-21, 4-24	IK-7866	4-21, 4-24	IK-7891	4-21, 4-24
IK-7655	3-10	IB-7722	4-29	IK-7786-A	4-23	IK-7849-A	4-21, 4-24	IK-7867	4-21, 4-24	IK-7892	4-21, 4-24
IK-7655	3-10, 12-16	IB-7724	4-29	IK-7786-B	4-23	IK-7849-B	4-21, 4-24	IK-7868	4-21, 4-24	IK-7893	4-21, 4-24
IKS-7655-A	3-16, 12-16	IK-7724	4-29	IK-7786-C	4-26	IK-7849-B	4-21, 4-24	IK-7869	4-21, 4-24	IK-7894	4-21, 4-24
IH-7658	3-12	IK-7724	4-29	IK-7786-D	4-20, 4-23, 4-26	IK-7849-B	4-21, 4-24	IK-7870	4-21, 4-24	IK-7895	4-21, 4-24
IH-7658	3-10	IK-7724	4-29	IK-7787	4-20, 4-23, 4-26	IK-7849-B	4-21, 4-24	IK-7871	4-21, 4-24	IK-7896	4-21, 4-24
IM-7658	3-12	IK-7727	4-29	IK-7788	4-26	IK-7849-B	4-21, 4-24	IK-7872	4-21, 4-24	IK-7897	4-21, 4-24
IM-7659	3-10	IB-7728	4-32	IK-7789	4-26	IK-7849-B	4-21, 4-24	IK-7873	4-21, 4-24	IK-7898	4-21, 4-24
IK-7660	3-16	IK-7729	4-29, 4-32	IK-7790	4-26	IK-7849-B	4-21, 4-24	IK-7874	4-21, 4-24	IK-7899	4-21, 4-24
IB-7661	3-16	IK-7730	4-29	IK-7791	4-26	IK-7849-B	4-21, 4-24	IK-7875	4-21, 4-24	IB-8532-B	3-46
IH-7661	3-10	IB-7732	4-29	IK-7792	4-26	IK-7849-B	4-21, 4-24	IK-7876	4-21, 4-24	IB-8540	3-46
IB-7662	3-16	IB-7733	4-29, 4-32	IK-7793	4-26	IK-7849-B	4-21, 4-24	IK-7877	4-21, 4-24	IC-8645	3-46
IK-7662-B	3-10	IB-7736	4-19, 4-22, 4-29	IK-7794	4-20, 4-23	IK-7849-B	4-21, 4-24	IK-7878	4-21, 4-24		
IM-7662	3-10	IB-7738	4-29, 4-32	IB-7794	4-20	IK-7849-B	4-21, 4-24	IK-7879	4-21, 4-24		
IM-7662-A	3-10	IB-7739	4-29	IB-7795	4-20	IK-7849-B	4-21, 4-24	IK-7880	4-21, 4-24		
IB-7663	3-16	IL-7740	4-29	IB-7796	4-20, 4-23	IK-7849-B	4-21, 4-24	IK-7881	4-21, 4-24		
IH-7663	3-10	IB-7741	4-29	IK-7796	4-26	IK-7849-B	4-21, 4-24	IK-7882	4-21, 4-24		
IM-7663	3-13	IA-7743	4-18	IK-7797	4-20, 4-23	IK-7849-B	4-21, 4-24	IK-7883	4-21, 4-24		
IM-7663-A	3-13	IB-7745	4-29	IB-7798	4-20, 4-23	IK-7849-B	4-21, 4-24	IK-7884	4-21, 4-24		
IM-7663-B	3-13	IA-7746	4-29	IB-7799	4-20, 4-23	IK-7849-B	4-21, 4-24	IK-7885	4-21, 4-24		
IM-7664	3-10	IB-7746	4-29	IB-7800	4-20, 4-23	IK-7849-B	4-21, 4-24	IK-7886	4-21, 4-24		
IA-7666	3-10	IK-7746	4-32	IB-7801	4-20, 4-23	IK-7849-B	4-21, 4-24	IK-7887	4-21, 4-24		
IH-7666	3-16	IB-7747	4-29, 4-32	IK-7801	4-20, 4-23	IK-7849-B	4-21, 4-24	IK-7888	4-21, 4-24		
IK-7666	3-10	IB-7748	4-29, 4-32	IK-7801	4-20, 4-23	IK-7849-B	4-21, 4-24	IK-7889	4-21, 4-24		
IM-7666	3-10	IB-7749	4-29	IK-7801-A	4-26	IK-7849-B	4-21, 4-24				
IM-7666-A	3-13	IB-7757	4-29	IB-7802	4-20, 4-23, 4-26	IK-7849-B	4-21, 4-24				
IM-7666-B	3-13	IB-7758	4-32	IB-7803	4-20, 4-23, 4-26	IK-7849-B	4-21, 4-24				
IH-7667	3-10	IB-7759	4-29	IK-7804	4-20, 4-23, 4-26	IK-7849-B	4-21, 4-24				
IH-7668	3-10	IB-7763	4-29	IK-7815	4-20, 4-23, 4-26	IK-7849-B	4-21, 4-24				
IK-7668	3-10	IB-7764	4-19, 4-23, 4-29	IK-7815	4-20, 4-23, 4-26	IK-7849-B	4-21, 4-24				
IM-7668	3-13	IB-7765	4-19, 4-23, 4-29	IK-7817	4-20, 4-24, 4-26	IK-7849-B	4-21, 4-24				
IM-7669-A	3-10	IB-7766	4-20, 4-23, 4-29	IK-7818	4-21, 4-24	IK-7849-B	4-21, 4-24				
IM-7669-B	3-13	IB-7767	4-20, 4-23, 4-29	IK-7818	4-21, 4-24	IK-7849-B	4-21, 4-24				
IM-7669-C	3-13	IB-7768	4-20, 4-23, 4-25, 4-30, 4-32	IK-7819	4-21, 4-24	IK-7849-B	4-21, 4-24				
IKSR-7670-C	3-16, 12-16	IB-7769	4-20, 4-23, 4-25, 4-30	IK-7819-A	4-24	IK-7849-B	4-21, 4-24				
IKSR-7670-H	3-10, 12-16	IK-7769	4-32	IA-7820	4-21, 4-24, 4-26	IK-7849-B	4-21, 4-24				
IMSFR-7670	3-10, 12-16	IK-7769	4-32	7A-7820	4-18	IK-7849-B	4-21, 4-24				
IK-7702	4-28	IB-7771	4-30	IB-7821	4-21, 4-24, 4-26	IK-7849-B	4-21, 4-24				
IK-7702-A	4-32	IK-7772	4-30	IB-7822	4-21, 4-24, 4-26	IK-7849-B	4-21, 4-24				
IK-7703	4-28	IK-7773	4-32	IB-7825	4-21	IK-7849-B	4-21, 4-24				
IK-7703-A	4-28	IK-7774	4-23	IK-7825	4-21, 4-24, 4-26	IK-7849-B	4-21, 4-24				
IB-7704	4-32	IB-7775	4-20	IK-7826	4-21, 4-24	IK-7849-B	4-21, 4-24				
IK-7704	4-28	IB-7775-A	4-23	IK-7827	4-21, 4-24	IK-7849-B	4-21, 4-24				
IB-7705	4-32	IK-7775	4-20	IK-7828	4-21, 4-24	IK-7849-B	4-21, 4-24				
IK-7705	4-32	IK-7775-B	4-23	IK-7829	4-21, 4-24	IK-7849-B	4-21, 4-24				
IK-7705-A	4-32	IK-7775-C	4-25	IK-7830	4-21, 4-24	IK-7849-B	4-21, 4-24				
IK-7706	4-28	IK-7775-D	4-25	IK-7832	4-21, 4-24	IK-7849-B	4-21, 4-24				
IB-7707	4-28, 4-32	IK-7776	4-20, 4-23, 4-25	IB-7832	4-21, 4-24	IK-7849-B	4-21, 4-24				
IK-7707	4-32	IB-7777	4-23	IB-7833	4-21, 4-24	IK-7849-B	4-21, 4-24				
IB-7709	4-28	IK-7777-A	4-23	IB-7836	4-20, 4-26	IK-7849-B	4-21, 4-24				
IK-7709	4-32	IK-7777	4-23								

