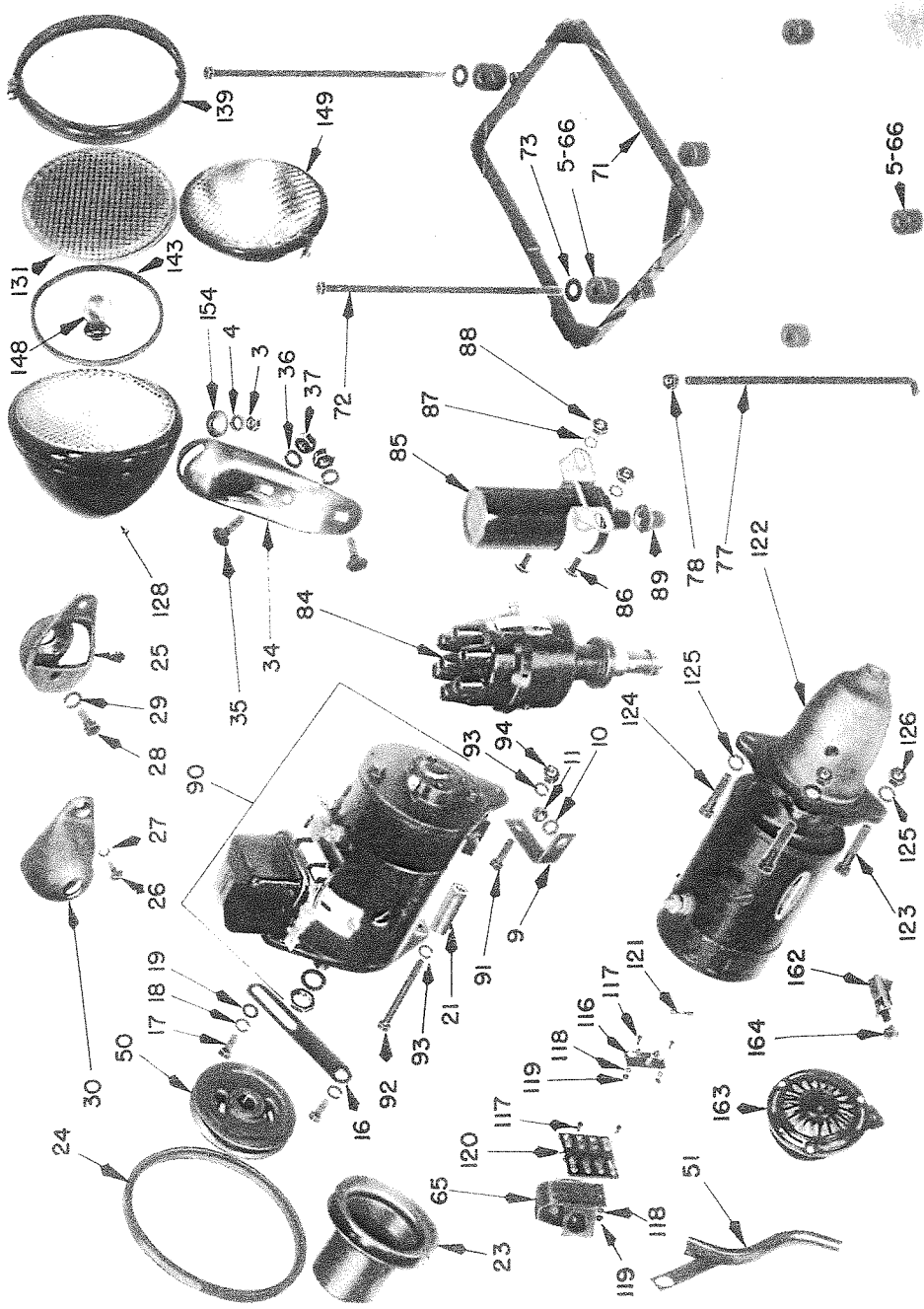
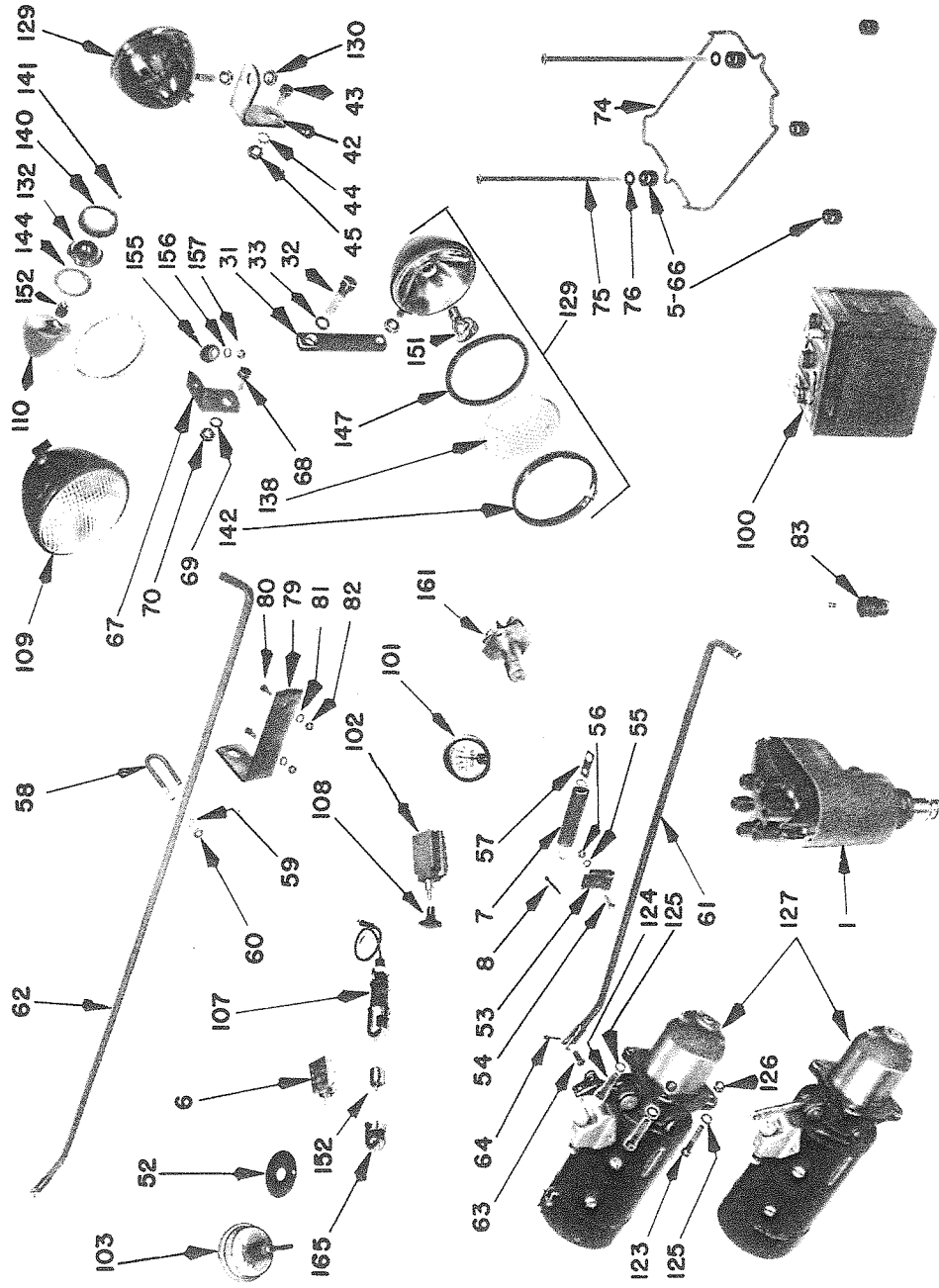


IGNITION, STARTER AND LIGHTS



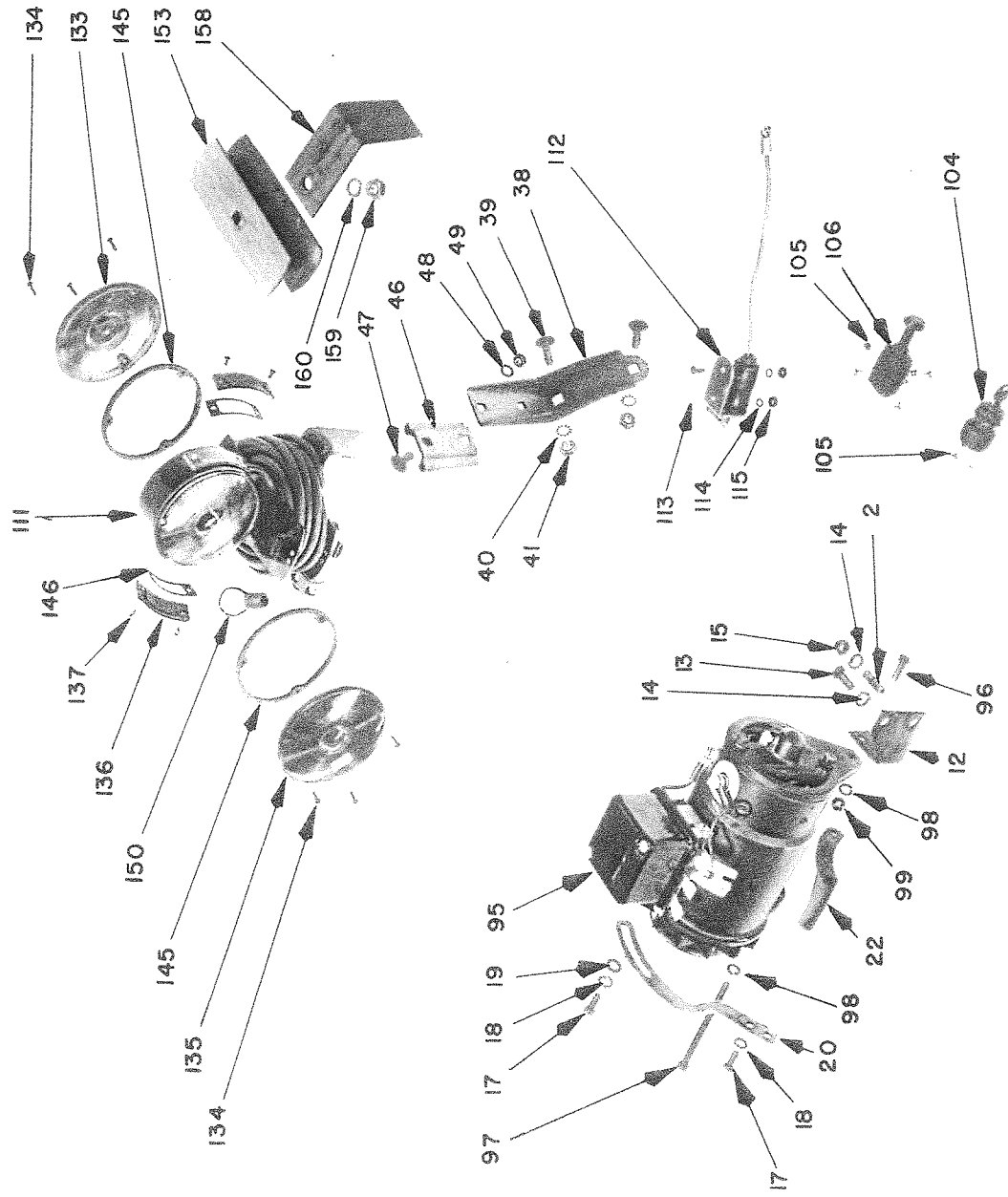
Ref. No.	Part Number	Description	No. Req.	Row Crop Ser'd Number	Standard Ser'd Number	Industrial Ser'd Number
1	1KS-239	MAGNETO (W/co XV-6) (Order 1KS-239-A) (Tractor with Magneto Ignition)	1			
1	1KS-239-A	MAGNETO (W/co XVD-2218) (Tractor with Magneto Ignition)	1			
2	1L-398	STUD, Generator Rear Support (3/8 x 1)	1	6503-	6503-	6503-
3	1B-439	NUT, Lamp Beating Washer 920083 Lock Washer, 3/8	3	320001-	269001-	403001-
4			3			
5	1E-849	BUFFER, Battery (8 used on Diesel)	4	6503-	6503-	6503-
6	1BAS-884	SWITCH, Magneto Ground (Tractor with Magneto Ignition)	1			
7	1K-957	SPRING, Starter Switch Control Rod Return - Diesel 932025 Cotter Pin, 5/32 x 1	1	320001-	269001-	403001-
8			1			
9	1M-1250	SUPPORT, Generator - Rear after Serial Number 6502) 908330 Cap Screw, 3/8 - 16 x 3/4 Hex Hd or 1L-398 Stud 920083 Lock Washer, 3/8 915002 Nut, 3/8 - 24 Hex	1	320001-6502	269001-6502	403001-6502
10			1			
11			1			
12	1K-1250-B	SUPPORT, Generator - Rear 908330 Cap Screw, 3/8 - 16 x 3/4 Hex Hd 920083 Lock Washer, 3/8 915002 Nut, 3/8 - 24 Hex	1	6503-	6503-	6503-
13			1			
14			2			
15			1			

IGNITION, STARTER AND LIGHTS



Ref. No.	Part Number	Description	No. Req.	Row Crop Serial Number	Standard Serial Number	Industrial Serial Number
16	1B-1254-A	LINK, Generator Adjusting (On Orchard only after Serial Number 6502) 908314 Cap Screw, 5/16 - 18 x 5/8 Hex Hd 920082 Lock Washer, 5/16 920008 Washer, 5/16 Plain	1	320001-6502	269001-6502	403001-6502
17			2			
18			2			
19			1	6503-	6503-	6503-
20	1K-1254-A	LINK, Generator Mounting 908314 Cap Screw, 5/16 - 18 x 5/8 Hex Hd 920082 Lock Washer, 5/16 920008 Washer, 5/16 Plain	1			
17			2			
18			2			
19			1			
21	1K-1255	SPACER, Generator Support - HC and KD (On Orchard only after Serial Number 6502)	1	320001-6502	269001-6502	403001-6502
21	1K-1255-A	SPACER, Generator Support - Diesel (On Orchard only after Serial Number 6502)	1	3505620-6502	3505620-6502	3505620-6502
22	1KS-1255-C	SUPPORT Assembly, Generator - HC	1	6503-	6503-	6503-
22	1KS-1255-D	SUPPORT Assembly, Generator - Diesel	1	6503-	6503-	6503-
23	1K-1256	PULLEY, Generator Drive (On Orchard only after Serial Number 6502)	1	320001-6502	269001-6502	403001-6502
24	1H-1257	BELT, Generator (On Orchard only after Serial Number 6502)	1	320001-6502	269001-6502	403001-6502
24	1HR-1257	BELT, Generator (Heavy duty) (On Orchard only after Serial Number 6502)	1	320001-6502	269001-6502	403001-6502

## IGNITION, STARTER AND LIGHTS



Ref. No.	Part Number	Description	No. Req.	Row Crop Serial Number	Standard Serial Number	Industrial Serial Number
31	1M-1258	SUPPORT, Front Lamp - Orchard	2			
32		908386 Cap Screw, 5/8 - 11 x 2 Hex Hd	2			
33		920087 Lock Washer, 5/8	2			
34	1K-1261-A	BRACKET, Lamp	3	320001-	269001-	403001-
35		900234 Bolt, 3/8 - 16 x 1 Carriage	6			
36		920124 Lock Washer, 3/8 Shkproof	6			
37		915113 Nut, 3/8 - 16 Hex	6			
38	1K-1261-B	BRACKET Assembly, Warning Lamp	1			
39		900234 Bolt, 3/8 - 16 x 1 Carriage	2			
40		920124 Lock Washer, 3/8 External Tooth	2			
41		915113 Nut, 3/8 - 16 Hex	2			
42	1M-1261	BRACKET, Rear Lamp - Orchard	1			
43		908355 Cap Screw, 1/2 - 13 x 1 Hex Hd	1			
44		920126 Lock Washer, 1/2 External Tooth	1			
45		915238 Nut, 1/2 - 13 Hex Jam	1			
42	1M-1261-A	BRACKET, Rear Lamp (Orchard with Standard type wheel guards)	1			

SECTION IV  
IGNITION AND ELECTRICAL SYSTEM

## 77 PARTS BOOK

## IGNITION, STARTER AND LIGHTS

Ref. No.	Part Number	Description	No. Req.	Row Crop Serial Number	Standard Serial Number	Industrial Serial Number
46	1K-1262	SOCKET, Warning Lamp	1			
47		900214 Bolt, 5/16 - 18 x 3/4 Carriage	2			
48		920082 Lock Washer, 5/16	2			
49		915112 Nut, 5/16 - 18 Hex	2			
50	1K-1265	PULLEY, Generator (On Orchard only after Serial Number 6502)	1	320001-6502	269001-6502	403001-6502
51	1MS-1270	TUBE, Lighting Wire Protector	2	320001-344801	269001-273125	403001-403240
51	1MS-1270-A	TUBE, Lighting Wire Protector	2	344802-3510323	273126-	403241-
51	1K-1270-B	PROTECTOR, Axle Carrier Light Wire	2			
		909052 Screw, 1/4 - 20 x 1/2 Mach	4			
		920081 Lock Washer, 1/4	4			
		915111 Nut, 1/4 - 20 Hex	4			
51	1MS-1270-B	COVER Assembly, Axle Carrier Light Wire - Right	1	3510324-		
		908818 Screw, 1/4 - 20 x 7/16 Mach	2			
		909052 Screw, 1/4 - 20 x 1/2 Mach	1			
		920081 Lock Washer, 1/4	1			
		915111 Nut, 1/4 - 20 Hex	1			
51	1MS-1270-C	COVER Assembly, Axle Carrier Light Wire - Left	1	3510324-		
		908818 Screw, 1/4 - 20 x 7/16 Mach	2			
		909052 Screw, 1/4 - 20 x 1/2 Mach	1			
		920081 Lock Washer, 1/4	1			
		915111 Nut, 1/4 - 20 Hex	1			
51	1MS-1270-D	COVER Assembly, Axle Carrier Light Wire - Right (For 100" Rear Tread) (Same Hardware as 1MS-1270-B)	1	3510324-		
51	1MS-1270-E	COVER Assembly, Axle Carrier Light Wire - Left (For 100" Rear Tread) (Same Hardware as 1MS-1270-C)	1	3510324-		
52	1K-1274	ESCUTCHEON, Combination Switch - HD and KD (Also on tractors with Magneto Ignition)	1	320001-327900	269001-270565	403001-403185
52	1K-1274-A	ESCUTCHEON, Combination Switch - HC and KD	1	327901-6502	270566-6502	403186-6502
52	1K-1274-B	ESCUTCHEON, Combination Switch - Diesel (Also on tractors with Magneto Ignition)	1	320001-6502	269001-6502	403001-6502
53	1K-1348	CLIP, Starter Control Rod - Diesel	1	320001-6502	269001-6502	403001-6502
54		909055 Screw, 1/4 - 20 x 3/4 Mach	1			
55		920081 Lock Washer, 1/4	1			
56		915111 Nut, 1/4 - 20 Hex	1			
57	1K-1349	CLIP, Starter Rod Spring Anchor - Diesel (5/8" wide, 1-1/2" long, 13/16" hole)	1	320001-	269001-	403001-
58	1K-1350	GUIDE, Control Rod - Diesel - Orchard	1			
59		920123 Lock Washer, 5/16 External Tooth	1			
60		915286 Nut, 5/16 - 18 Hex Jam	1			
61	1M-1352	ROD, Starter Switch Control - Diesel (Order 1MS-1352)	1	320001-6502	269001-6502	403001-6502
61	1MS-1352	ROD, Starter Switch Control - Diesel	1	6503-	6503-	6503-
62	1K-1352-A	ROD, Starter Switch Control - Diesel - Orchard (Tractor Serial Number 269001-272789) (Order 1MS-1352-A)	1			
62	1M-1352-A	ROD, Starter Switch Control - Diesel - Orchard (Tractor Serial Number 272790-6502) (Order 1MS-1352-A)	1			
62	1MS-1352-A	ROD, Starter Switch Control - Diesel - Orchard (Tractor Serial Number 6503-)	1			



## IGNITION, STARTER AND LIGHTS

Ref. No.	Part Number	Description	No. Req.	Row Crop Setal Number	Standard Setal Number	Industrial Serial Number
63	IK-1353	PIN, Starter Control Rod - Diesel 932008 Cotter Pin, 3/32 x 5/8	1	320001-	269001-	403001-
64			1			
65	IKS-1360-A	BRACKET Assembly, Fuse Block (Used only on Orchard after Serial Number 6502)	1	344802-6502	273126-6502	403241-6502
66	IB-1366-B	BUFFER, Battery (12 used on Diesel) (2 used on HC and 4 used on Diesel after Serial Number 6502)	6	320001-	269001-	403001-
67	IL-1367	BRACKET, Tail Light - Orchard	1			
68		908355 Cap Screw, 1/2 - 13 x 1 Hex Hd	1			
69		920126 Lock Washer, 1/2	1			
70		915238 Nut, 1/2 - 13 Hex Jam	1			
71	IAS-1391-A	CLAMP, Battery - Diesel	2	320001-332450	269001-271515	403001-403185
71	IBS-1391-B	CLAMP, Battery - Diesel	2	332451-	271516-	403186-
71	IBS-1391-B	CLAMP, Battery - HC and KD	1	320001-332450	269001-271515	403001-403185
72		S-1529 Bolt, 5/16 - 18 x 10 Mach	2			
73		920038 Washer, 5/16 Pldn	2			
74	IK-1391	CLAMP, Battery - HC and KD (On HC use S-1551 Bolt) (On KD use IK-1394-A Rod)	1	332451-	271516-	403186-
75		S-1551 Bolt, 5/16 - 18 x 9 Mach	2			
76		920038 Washer, 5/16 Pldn	2			
77	IK-1394	ROD, Battery Clamp - Diesel	4	320001-	269001-	403001-
76		920038 Washer, 5/16 Pldn	4			
78		915112 Nut, 5/16 - 18 Hex	4			
77	IK-1394-A	ROD, Battery Clamp - KD	2	332451-	271516-	403186-
78		915112 Nut, 5/16 - 18 Hex	2			
79	IK-1747	SUPPORT, Starter Rod - Ricefield Diesel	1			
80		908301 Cap Screw, 1/4 - 20 x 3/4 Hex Hd	2			
81		920081 Lock Washer, 1/4	2			
82		915111 Nut, 1/4 - 20 Hex	2			
83	IK-5201-A	SPARK PLUG - HC and KD	6	320001-	269001-	403001-
84	IK-7324	DISTRIBUTOR (Delco-Remy 1111702) - HC and KD (Order 1K-7324)	1	320001-6502	269001-6502	403001-6502
84	IK-A-7324	DISTRIBUTOR (Delco-Remy 1111750) - HC and KD	1	6503-	6503-	6503-
85	IK-7325	COIL, Ignition - HC and KD	1	320001-	269001-	403001-
86		S-2959 Bolt, 5/16 - 18 x 1/2 Stove	2			
87		920123 Lock Washer, 5/16 Stakeproof	2			
88		915112 Nut, 5/16 - 18 Hex	2			
89	IK-7328	NIPPLE, Coil Tower - HC and KD	1	320001-323151	269001-270555	403001-403185
90	IK-7351	GENERATOR (Delco-Remy 1101391) - 6 Volt - HC and KD (Order 1K-7351-C)	1	320001-335280	269001-272115	403001-403185
91		908465 Cap Screw, 5/16 - 24 x 7/8 Hex Hd	1			
92		908324 Cap Screw, 5/16 - 18 x 2-3/4 Hex Hd	1			
93		920082 Lock Washer, 5/16	2			
94		915001 Nut, 5/16 - 24 Hex	1			
90	IK-7351-A	GENERATOR (Delco-Remy 1101779) - 12 Volt - Diesel (Order 1K-7351-D) (Use same Hardware as 1K-7351)	1	320001-332209	269001-271410	
90	IK-7351-B	GENERATOR (Delco-Remy 1101775) - 12 Volt - Diesel (Order 1K-7351-D) (Same Hardware as 1K-7351)	1	332210-335280	271411-272129	403001-403185
90	IK-7351-C	GENERATOR (Delco-Remy 1100504) - 6 Volt - HC and KD (On Orchard only after Setal Number 6502) (Same Hardware as 1K-7351)	1	335281-6502	272116-6502	403186-6502

## IGNITION, STARTER AND LIGHTS

Ref. No.	Part Number	Description	No. Req.	Row Crop Serial Number	Standard Serial Number	Industrial Serial Number
90	1K-7351-D	GENERATOR (Delco-Remy 1100953) - 12 Volt - Diesel (On Orchard only after Serial Number 6502) (Same Hardware as 1K-7351)	1	335281-6502	272130-6502	403186-6502
95	1K-7351-F	GENERATOR (Delco-Remy 1100027) - 6 Volt - HC 908465 Cap Screw, 5/16 - 24 x 7/8 Hex Hd S-3146 Cap Screw, 5/16 - 18 x 3-3/4 Hex Hd 920082 Lock Washer, 5/16 915001 Nut, 5/16 - 24 Hex	1 1 1 2 1	6503-	6503-	6503-
95	1K-7351-G	GENERATOR (Delco-Remy 1100314) - 12 Volt - Diesel (Same Hardware as 1K-7351-F)	1	6503-	6503-	6503-
100	1D-7352-D	BATTERY, Storage - 6 Volt - HC, KD and Diesel (2 used on Diesel)	1	320001-	269001-	403001-
101	1HA-7353	AMMETER	1	320001-	269001-	403001-
102	1A-7354-A	SWITCH, Hydro-Electric Push Pull - Diesel 920009 Washer, 3/8 Plain 920124 Lock Washer, 3/8 Internal Tooth 915085 Nut, 3/8 - 24 Hex Jam S-710 Screw, No. 8 - 32 x 3/8 Sems	1 1 1 1 2	320001-	269001-	403001-
103	1K-7354	SWITCH, Combination (Also on tractors with Magneto Ignition)	1	320001-327900	269001-270565	403001-403185
103	1K-7354-A	SWITCH, Combination (Also on tractors with Magneto Ignition)	1	327901-6502	270566-6502	403186-6502
104	1K-7354-B	SWITCH, Ignition - HC S-710 Screw, No. 8 - 32 x 3/8 Sems	1 2	6503-	6503-	6503-
106	1K-7354-C	SWITCH And Knob, Light - HC and Diesel S-710 Screw, No. 8 - 32 x 3/8 Sems	1 4	6503-	6503-	6503-
107	1K-7357	LAMP And Wire, Dash	1	320001-344802	269001-273125	403001-403240
107	1K-7357-A	LAMP And Wire, Dash (Used on Orchard only after Serial Number 6502)	1	344803-6502	273126-6502	403241-6502
108	1HA-7358	KNOB, Switch Control - Diesel	1	320001-	269001-	403001-
109	1H-7361	LAMP, Combination Flood and Tail - 6 Volt - HC and KD	1			
109	1H-7361-A	LAMP, Combination Flood and Tail - 12 Volt - Diesel	1			
110	1K-7361	LIGHT, Tail - 6 Volt - HC and KD (Black) (Also on Row Crop Industrial)	1			
110	1K-7361-A	LIGHT, Tail - 12 Volt - Diesel (Black) (Also on Row Crop Industrial)	1			
110	1K-7361-B	LIGHT, Tail - 6 Volt - HC and KD (Green)	1	347904-	273375-	
110	1K-7361-C	LIGHT, Tail - 12 Volt - Diesel (Green)	1	347904-	273375-	
111	1K-7361-E	LAMP, Warning - 6 Volt - HC	1			
111	1K-7361-F	LAMP, Warning - 12 Volt - Diesel	1			
112	1K-7365	CONNECTOR, Warning Light	1			
113		909021 Screw, No. 10 - 24 x 5/8 March	2			
114		920079 Lock Washer, No. 10	2			
115		915538 Nut, No. 10 - 24 Hex	2			
116	1K-7370	BLOCK, Fuse	1	320001-344801	269001-273125	403001-403240
117		909001 Screw, No. 8 - 32 x 9/16 March	2			
118		920078 Lock Washer, No. 8	2			
119		915537 Nut, No. 8 - 32 Hex	2			

## IGNITION, STARTER AND LIGHTS

Ref. No.	Part Number	Description	No. Req.	Row Crop Serial Number	Standard Serial Number	Industrial Serial Number
120	IK-7370-A	BLOCK, Fuse 909001 Screw, No. 8 - 32 x 9/16 Mach 920078 Lock Washer, No. 8 915537 Nut, No. 8 - 32 Hex	1 2 2 2	344802-6502	273128-6502	403241-6502
121	1B-7371	FUSE (20 Ampere)	Req.	320001-	269001-	403001-
121	IK-7371	FUSE (30 Ampere) - Hydro-Electric	Req.	320001-	269001-	403001-
122	IK-7375	MOTOR, Starting (Delco-Remy 1107939) - 6 Volt - HC and KD 908335 Cap Screw, 3/8 - 16 x 1-3/4 Hex Hd 908334 Cap Screw, 3/8 - 16 x 1-1/2 Hex Hd 920083 Lock Washer, 3/8 915113 Nut, 3/8 - 16 Hex	1 2 1 3 2	320001-	269001-	403001-
127	IK-7375-A	MOTOR, Starting (Delco-Remy 1109225) - 12 Volt - Diesel (Order 1K-7375-C) (Same Hardware as 1K-7375)	1	320001-35867	269001-272407	403001-403185
127	IK-7375-B	MOTOR, Starting (Delco-Remy 1109233) - 12 Volt - Diesel (Order 1K-7375-C) (Same Hardware as 1K-7375)	1	335868-	272408-	403186-
127	IK-7375-C	MOTOR, Starting (Delco-Remy 1109170) - 12 Volt - Diesel (Same Hardware as 1K-7375)	1	335868-	272408-	403186-
128	1H-7379	LAMP, Tractor - 6 Volt - HC and KD (Order 1K-7379-G) (Same as 1K-7379 only painted black)	3	320001-347903	269001-273374	403001-403290
128	1H-7379-A	LAMP, Tractor - 12 Volt - Diesel (Order 1K-7379-J) (Same as 1K-7379-A only painted black)	3	320001-347903	269001-273374	403001-403290
128	IK-7379	LAMP, Tractor - 6 Volt - HC and KD (Order 1K-7379-C) (Same as 1H-7379 only painted green)	3	347904-3502509	273375-3502509	403291-3502509
128	IK-7379-A	LAMP, Tractor - 12 Volt - Diesel (Same as 1H-7379-A only painted green)	3	347904-3502509	273375-3502509	403291-3502509
128	IK-7379-B	LAMP, Tractor - RH - 6 Volt - HC and KD (Sealed Beam - Green)	1	3502510-	3502510-	3502510-
128	IK-7379-C	LAMP, Tractor - LH and Rear - 6 Volt - HC and KD (Sealed Beam - Green)	2	3502510-	3502510-	3502510-
128	IK-7379-D	LAMP, Tractor - RH - 12 Volt - Diesel (Sealed Beam - Green)	1	3502510-	3502510-	3502510-
128	IK-7379-E	LAMP, Tractor LH and Rear - 12 Volt - Diesel (Sealed Beam - Green)	2	3502510-	3502510-	3502510-
128	IK-7379-F	LAMP, Tractor - RH - 6 Volt - HC and KD (Sealed Beam - Black) (Row Crop Industrial)	1			3502510-
128	IK-7379-G	LAMP, Tractor - LH and Rear - 6 Volt - HC and KD (Sealed Beam - Black) (Row Crop Industrial)	2			3502510-
128	IK-7379-H	LAMP, Tractor - RH - 12 Volt - Diesel (Sealed Beam - Black) (Row Crop Industrial)	1			3502510-
128	IK-7379-J	LAMP, Tractor - LH and Rear - 12 Volt - Diesel (Sealed Beam - Black) (Row Crop Industrial)	2			3502510-
129	1M-7379-B	LAMP, Tractor - 6 Volt - HC and KD - Orchard 915238 Nut, 1/2 - 13 Hex Jam	3 4			
129	1M-7379-C	LAMP, Tractor - 12 Volt - Diesel - Orchard 915238 Nut, 1/2 - 13 Hex Jam	3 4			
131	1H-7380	LENS, Head Lamp	3	320001-3502509	269001-3502509	403001-3502509
132	IK-7380	LENS, Tail Light	1	347904-	273375-	403241-

SECTION IV  
IGNITION AND ELECTRICAL SYSTEM

## 77 PARTS BOOK

## IGNITION, STARTER AND LIGHTS

Ref. No.	Part Number	Description	No. Req.	Row Crop Serial Number	Standard Serial Number	Industrial Serial Number
133	1K-7380-A	LENS, Warning Lamp Plastic - Amber	1			
134		908984 Screw, No. 6 - 32 x 1/2 Slotted	3			
135	1K-7380-B	LENS, Warning Lamp Plastic - Red	1			
134		908984 Screw, No. 6 - 32 x 1/2 Slotted	3			
136	1K-7380-C	LENS, Warning Lamp Outlook	2			
137		S-2538 Screw, No. 6 - 20 x 5/16 Pan Hd	4			
138	1M-7380-A	LENS, Lamp - Orchard (With 1M-7379-B and 1M-7379-C)	3			
139	1K-7384	PLUG Assembly, Warning Lamp Wire	1			
139	1H-7385	RIM, Head Lamp	3	320001-3502509	269001-3502509	403001-3502509
139	7A-7385	RIM, Lamp	3	3502510-	3502510-	3502510-
140	1K-7385-B	RIM, Tail Light Lens	1	347904-	273375-	403241-
141		S-2586 Screw, No. 8 - 32 x 3/4 Mach	1			
142	1M-7385	RIM, Head Lamp - Orchard	3			
143	1H-7387	GASKET, Lamp Lens	3	320001-3502509	269001-3502509	403001-3502509
144	1K-7387	GASKET, Tail Light Rim	1	347904-	273375-	403241-
145	1K-7387-A	GASKET, Warning Lamp Lens	2			
146	1K-7387-B	GASKET, Warning Lamp Outlook Lens	2			
147	1M-7387	GASKET, Lamp Lens - Orchard	3			
148	1H-7388	BULB, Lamp - 6 Volt - HC and KD	3	320001-3502509	269001-3502509	403001-3502509
148	1H-7388-A	BULB, Lamp - 12 Volt - Diesel	3	320001-3502509	269001-3502509	403001-3502509
149	7A-7388	SEALED UNIT - HC and KD	3	3502510-	3502510-	3502510-
149	7A-7388-A	SEALED UNIT - Diesel	3	3502510-	3502510-	3502510-
150	1K-7388	BULB, Warning Lamp - 6 Volt - HC	1			
150	1K-7388-A	BULB, Warning Lamp - 12 Volt - Diesel	1			
151	1M-7388	BULB, Lamp - 6 Volt - HC and KD - Orchard	3			
151	1M-7388-A	BULB, Lamp - 12 Volt - Diesel - Orchard	3			
152	1B-7389	BULB, Dash Lamp - 6 Volt - HC and KD	1	320001-6502	269001-6502	403001-6502
152	1B-7389	BULB, Tail Light - 6 Volt - HC and KD	1	347904-	273375-	403241-
152	1K-7389	BULB, Dash Lamp - 12 Volt - Diesel	1	320001-6502	269001-6502	403001-6502
152	1K-7389	BULB, Tail Light - 12 Volt - Diesel	1	347904-	273375-	403241-
153	1K-7390	SPOOL Assembly, Warning Lamp Cable	1			
154	1B-7391	WASHER, Lamp Bearing	3	320001-	269001-	403001-
155	1K-7391	SPACER, Tail Light Mounting	1	347904-	273375-	403241-
156		920082 Lock Washer, 5/16	1			
157		915112 Nut, 5/16 - 18 Hex	1			
158	1K-7391-A	BRACKET, Warning Lamp Mounting	1			
159		915114 Nut, 7/16 - 14 Hex (Lamp Mounting)	1			
160		920084 Lock Washer, 7/16 (Lamp Mounting)	1			
161	1B-7392-A	SWITCH, Manifold Heater - Diesel	1	320001-	269001-	403001-
		909052 Screw, 1/4 - 20 x 1/2 Mach	2			
		920081 Lock Washer, 1/4	2			
		915111 Nut, 1/4 - 20 Hex	2			

## IGNITION, STARTER AND LIGHTS

Ref. No.	Part Number	Description	No. Req.	Row Crop Serial Number	Standard Serial Number	Industrial Serial Number
161	1B-7392-A	SWITCH, Starter - HC and KD 909052 Screw, 1/4 - 20 x 1/2 Inch 920081 Lock Washer, 1/4 915111 Nut, 1/4 - 20 Hex	1 2 2 2	320001-	269001-	403001-
162	1K-7392-C	SWITCH, Horn Button Push	1			403001-
163	1K-7393	HORN, Electric	1			403001-
164	1K-7394	BUSHING, Electric Horn Switch Mounting	1			403001-
165	1H-7396	HOOD, Dash Lamp	1	320001-	269001-	403001-

## IGNITION AND LIGHT WIRES

Ref. No.	Part Number	Description	No. Req.	Row Crop Serial Number	Standard Serial Number	Industrial Serial Number
	1K-245	CABLE, Spark Plug - HC and KD (No. 1 and No. 6 Cylinders) (14" Long)	2	320001-	269001-	403001-
	1H-245-A	CABLE, Spark Plug - HC and KD (No. 3 and No. 4 Cylinders) (8-1/2" Long)	2	320001-	269001-	403001-
	1KS-245	CABLE SET, Spark Plug	1	320001-	269001-	403001-
	1H-246	CABLE, Spark Plug - HC and KD (No. 2 and No. 5 Cylinders) (12" Long)	2	320001-	269001-	403001-
	1KS-1343	CABLE, High Tension Coil to Distributor HC and KD (20" Long)	1	320001-	269001-	403001-
	1K-1351	CABLE, Battery Connector - Diesel (11" Long)	1	320001-	269001-	403001-
	1MS-1354	WIRE, Front Lamp - Orchard (55" to splices, 27" splice and 14-1/2" splice)	1			
	1MS-1354-A	WIRE, Switch to Head Lamp - Orchard (Tractor Serial Number 273326-) (8-1/2" to splice, 27" splice and 17" splice)	1			
	1KS-1355	WIRE, Ammeter to Generator - Diesel (79" Long)	1	320001-	269001-	403001-
	1BS-1356-A	WIRE, Ammeter to Starter Switch - HC and KD (9" Long)	1	320001-	269001-	403001-
	1BS-1356-A	WIRE, Ammeter to Heater Switch - Diesel (9" Long)	1	320001-	269001-	403001-
	1BS-1356-A	WIRE, Horn Ground (9" Long)	1			
	1KS-1356	WIRE, Light Switch to Fuse Block - Diesel (29-1/2" Long)	1	320001-	269001-	403001-
	1KS-1356	S-2553 Screw, No. 8 - 32 x 3/8 Sems	1			
	1KS-1356	WIRE, Fuse to Relay on Hydro-Electric - HC and KD (29-1/2" Long)	1	320001-	269001-	403001-
	1KS-1356	S-2553 Screw, No. 8 - 32 x 3/8 Sems	1			
	1KS-1356	WIRE, Switch to Horn (29-1/2" Long)	1			
	1KS-1356	S-2553 Screw, No. 8 - 32 x 3/8 Sems	1			
	1HS-1357	CABLE, Battery Ground (11-1/2" Long)	1	320001-	269001-	403001-
	1HS-1357	908314 Cap Screw, 5/16 - 18 x 5/8 Hex Hd	1			
	1HS-1357	920082 Lock Washer, 5/16	1			
	1HS-1357	915112 Nut, 5/16 - 18 Hex	1			
	1BS-1358	WIRE, Combination Switch to Ground (6-1/4" Long) (Tractor with Magneto Ignition)	1			
	1BS-1358-B	WIRE, Switch to Hydraulic Fuse (10" Long)	1	344802-	273128-	403241-
	1KS-1358	WIRE, Ammeter to Light Switch - Diesel (9" Long)	1	320001-332209	269001-271410	
	1KS-1358	S-2553 Screw, No. 8 - 32 x 3/8 Sems	1			
	1KS-1358	WIRE, Ammeter to Horn Switch (8" Long)	1			
	1KS-1358	S-2553 Screw, No. 8 - 32 x 3/8 Sems	1			
	1KS-1358-A	WIRE, Light Switch to Regulator - Diesel (75" Long)	1	332210-6502	271411-6502	
	1KS-1358-A	S-2553 Screw, No. 8 - 32 x 3/8 Sems	1			
	1KS-1358-F	WIRE, Light Switch Fuse to Regulator - Diesel (81" Long)	1	6503-	6503-	6503-
	1KS-1358-F	S-2553 Screw, No. 8 - 32 x 3/8 Sems	1			
	1KS-1358-G	WIRE, Light Switch Fuse to Switch (6-3/4" Long)	1	6503-	6503-	6503-
	1BS-1359-B	WIRE, Switch to Flood Lamp - Orchard (108" Long)	1			
	1KS-1359-C	WIRE, Left Fender Lamp (42-1/4" and 38" Long)	1	320001-344801		
	1KS-1359-D	WIRE, Right Fender Lamp (42-1/4" Long)	1	320001-344801		
	1KS-1359-D	WIRE, Fender to Lamp (42-1/4" Long)	3	344802-		

## IGNITION AND LIGHT WIRES

Ref. No.	Part Number	Description	No. Req.	Row Crop Serial Number	Standard Serial Number	Industrial Serial Number
	IKS-1359-E	WIRE, Right Fender Lamp (37-1/4" Long)	1		269001-273125	403001-403240
	IKS-1359-E	WIRE, Fender to Lamp (37-1/4" Long)	3		273126-	403241-
	IKS-1359-F	LIGHT WIRE, Platform to Fender (2 Wires in conduit 55-1/2" Long)	2	344802-347903	273126-273375	403241-403290
	IKS-1359-G	LIGHT WIRE, Platform to Fender (100" Rear Tread) (2 Wires in conduit 61-1/2" Long)	2	344802-347903	273126-273375	403241-403290
	IKS-1359-H	WIRE, Ammeter to Ignition Switch - HC (10' Long) S-2553 Screw, No. 8 - 32 x 3/8 Sems	1	6503-	6503-	6503-
	IKS-1359-H	WIRE, Switch to Fuse (10' Long) (S-2553 Screw, No. 8 - 32 x 3/8 Sems	1	344802-6502	273126-6502	403241-6502
	IK-1359-M	LIGHT WIRE, Platform to Fender (55-1/2" Long, Black) (For 100" Rear Tread)	2	3510996-		
	IK-1359-N	LIGHT WIRE, Platform to Fender (55-1/2" Long, Yellow) (For 100" Rear Tread)	2	3510998-		
	IMS-1359-A	WIRE, Left Fender Lamp (37-1/2" and 33" Long)	1		269001-273125	403001-403240
	IMS-1359-B	WIRE, Rear Lamp - Orchard (72" Long)	1			
	IMS-1359-C	WIRE, Fuse to Tail Light - Orchard (75" Long)	1			
	IM-1359-H	LIGHT WIRE, Platform to Fender (49" Long, Black)	2	3510324-		
	IM-1359-J	LIGHT WIRE, Platform to Fender (49" Long, Yellow)	2	3510324-		
	IM-1359-K	LIGHT WIRE, Platform to Fender (42" Long, Black)	2		3510324-	3510324-
	IM-1359-L	LIGHT WIRE, Platform to Fender (42" Long, Yellow)	2		3510324-	3510324-
	IKS-1368	WIRE, Fuse Block To Dash Light - Diesel (32" Long)	1	320001-344802	269001-273125	403001-403241
	IKS-1376	CABLE, Starter Switch to Battery - HC and KD (13-3/8" Long)	1	320001-	269001-	403001-
	IKS-1752	CABLE, Heater Switch to Heater - Diesel (70-1/2" Long)	1	320001-	269001-	403001-
	IKS-1753	CABLE, Heater Switch to Starter Switch - Diesel (46-1/2" Long)	1	320001-	269001-	403001-
	IKS-1754	CABLE, Battery to Heater Switch - Diesel (9-3/4" Long)	1	320001-	269001-	403001-
	IKS-2091	HARNES, Hydraulic Control Wiring (2 Cylinder) (With IKS-2061) (Order IKS-2091-B)	1	320001-332449		
	IKS-2091-A	HARNES, Hydraulic Control Wiring (1 Cylinder) (With IKS-2061) (Order IKS-2091-C)	1		269001-271515	
	IKS-2091-B	HARNES, Hydraulic Control Wiring (2 Cylinder) (With IKS-2061-A)	1	320001-341033	269001-272900	
	IKSR-2091-B	HARNES Package, Hydraulic Control Wiring (2 Cylinder)	1			
	IKS-2091-C	HARNES, Hydraulic Control Wiring (1 Cylinder) (With IKS-2061-A)	1	320001-341033	269001-272900	
	IKSR-2091-C	HARNES Package, Hydraulic Control Wiring (1 Cylinder)	1			
	IKS-2091-D	HARNES, Hydraulic Control Wiring (2 and 1 Cylinder)	1	341034-6502	272901-6502	

## IGNITION AND LIGHT WIRES

Ref. No.	Part Number	Description	No. Req.	Row Crop Serial Number	Standard Serial Number	Industrial Serial Number
	IKS-2091-G	HARNES, Hydro-Lectric Control Wiring (2 and 1 Cylinder)	1	6503-	6503-	
	IMS-2091	HARNES, Hydro-Lectric Control Wiring - Orchard (1 Cylinder) (With IKS-2061-A)	1			
	IMS-2091-A	HARNES, Hydro-Lectric Control Wiring - Orchard (1 Cylinder) (With IKS-2061-B)	1			
	IKS-2095	WIRE, Hydro-Lectric Switch to Battery - Diesel (12" Long)	1	320001-6502	269001-6502	403001-6502
	IKS-2095	WIRE, Battery to Push Pull Switch - Diesel (12" Long)	1	6503-	6503-	6503-
	IKS-2159	WIRE, Switch to Hydro-Lectric Fuse (10-1/2" Long)	2	6503-	6503-	6503-
	IKS-7368	WIRE, Fuse Block to Right Fender Lamp (64-3/4" Long)	1	320001-344801	269001-273125	403001-403240
	IKS-7368-A	WIRE, Fuse Block to Left Fender Lamp (72-1/4" Long)	1	320001-344801	269001-273125	403001-403240
	IKS-7368-B	WIRE, Fuse Block to Right Fender Lamp (58" Long)	1		269001-273125	403001-403240
	IKS-7368-C	WIRE, Fuse Block to Left Fender Lamp (78-1/4" Long) (For 100" Rear Tread)	1	320001-344801		
	IKS-7368-D	HARNES, Fuse Block to Platform Wire	1	344802-6502	273126-6502	403241-6502
	IKS-7368-F	HARNES, Light Switch to Platform Wire	1	6503-	6503-	6503-
	IMS-7368	WIRE, Fuse Block to Left Fender Lamp (65-1/4" Long)	1		269001-273125	403001-403240
	IKS-7369	HARNES, Wiring - HC and KD S-2553 Screw, No. 8 - 32 x 3/8 Sems	1 4	320001-344801	269001-273125	402001-403240
	IKS-7369-B	HARNES, Ignition Wiring - HC and KD S-2553 Screw, No. 8 - 32 x 3/8 Sems	1 2	344802-6502	273126-6502	403241-6502
	IKS-7369-F	HARNES, Ignition Wiring - HC and KD S-2553 Screw, No. 8 - 32 x 3/8 Sems	1 2	6503-	6503-	6503-
	IDS-7377	CABLE, Starter Switch to Starter - HC and KD (49" Long)	1	320001-	269001-	403001-



## CLIPS, CLAMPS AND COVERS

Ref. No.	Part Number	Description	No. Req.	Flow Crop Serial Number	Standard Serial Number	Industrial Serial Number
	1B-1014	CLAMP, Light Wire (3/4" x 3/4", 7/32" hole) 909019 Screw, No. 10 - 24 x 1/2 Mach 920079 Lock Washer, No. 10 915338 Nut, No. 10 - 24 Hex S-763 Screw, No. 10 x 3/8 Mach - Orchard 920120 Lock Washer, No. 10 Ext Tooth - Orchard	7 7 7 7 2	320001-	269001-	403001-
	1B-1271	SUPPORT, Starter Cable (1-1/2" wide, 2-5/16" long, 1-1/16" hole and 9/32" x 1/2" hole) 908300 Cap Screw, 1/4 - 20 x 5/8 Hex Hd 920081 Lock Washer, 1/4 915111 Nut, 1/4 - 20 Hex	2 2 2 2	320001-344801	269001-273125	403001-403240
	1K-1271-A	CLIP, Light Wire Protector Tube Upper (1/2" wide, 3-3/16" developed length) 909019 Screw, No. 10 - 24 x 1/2 Mach 920079 Lock Washer, No. 10 915338 Nut, No. 10 - 24 Hex	2 2 2	320001-3510997	269001-3510997	403001-3510997
	1K-1271-C	SUPPORT, Starter Cable - Rear (1-1/2" wide, 2-5/8" long, 3/8" hole and 1-1/16" hole) 908300 Cap Screw, 1/4 - 20 x 5/8 Hex Hd 920081 Lock Washer, 1/4 915111 Nut, 1/4 - 20 Hex	1 1 1	344802-	273126-	403241-
	1K-1271-F	BRACKET, Light Wire Protector (1-1/8" wide, 4-1/8" developed length, 1/16" hole and 9/16" x 5/32" hole)	2		3511013-	3511013-
	1L-1271-A	SUPPORT, Starter Cable - Front - Diesel	1	6503-	6503-	6503-
	1H-1272-A	CLIP, Light Wire - Orchard (2-5/16" long x 1", 11/16" hole)	1			
	1K-1272	COVER, Axle Carrier Light Wire 908818 Screw, 1/4 - 20 x 7/16 Mach	2 4	320001-344801		
	1K-1272-D	COVER, Axle Carrier Light Wire 908818 Screw, 1/4 - 20 x 7/16 Mach	2 4	344802-3510323		
	1K-1272-A	CLIP, Light Wire to Fender (7/8" wide, 1-15/32" x 5/8", 17/32" hole)	4	320001-	269001-	403001-
	1K-1272-B	CLIP, Light Switch to Regulator Wire (3/4" wide, 3-3/32" long, 11/32" hole) 920082 Lock Washer, 5/16 908315 Cap Screw, 5/16 - 18 x 3/4 Hex Hd	2 2 2	320001-	269001-	403001-
	1K-1272-B	CLIP, Fuse Holder - Orchard (3/4" wide, 3-3/32" long, 11/32" hole)	1			
	1K-1272-E	CLIP, Light Wire Connector to Axle Carrier (3/4" wide, 3-3/32" long, 11/32" hole) 920082 Lock Washer, 5/16 908315 Cap Screw, 5/16 - 18 x 3/4 Hex Hd	2 2 2	320001-	269001-	403001-
	1K-1272-C	CLIP, Light Wire and Tail Light Wire (1-1/2" long x 3/4", 11/32" hole) 900234 Bolt, 3/8 - 16 x 1 Carriage 920124 Lock Washer, 3/8 Ext Tooth 915113 Nut, 3/8 - 16 Hex	4 1 1 1	320001-	269001-	403001-
	1B-1273	CLIP, Switch to Manifold Heater Cable - Diesel (7/8" wide, 3-1/4" long, 7/16" hole)	1	320001-	269001-	403001-
	1B-1273-A	CLIP, Light Wire - Orchard (1-9/16" long x 5/8", 13/32" hole)	4			
	1H-1273-A	CLIP, Light Wire Harness (1 additional used on Hydra-Electric) (2-1/2" long, 7/8" wide, 9/32" hole) 909019 Screw, No. 10 - 24 x 1/2 Mach 920079 Lock Washer, No. 10 915338 Nut, No. 10 - 24 Hex	1 1 1	320001-	269001-	403001-

## CLIPS, CLAMPS AND COVERS

Ref. No.	Part Number	Description	No. Req.	Row Crop Serial Number	Standard Serial Number	Industrial Serial Number
	IK-1273-B	CLIP, Generator Cable (5/8" wide, 3-1/8" long, 9/32" hole) 920081 Lock Washer, 1/4 915000 Nut, 1/4 - 28 Hex 908299 Cap Screw, 1/4 - 20 x 1/2 Hex Hd	2 2 1 1	320001-	269001-	403001-
	IK-1273-D	CLIP, Harness and Starter Cable Wrap Around (1 used with Hydro-Electric Wiring Harness) (1/2" wide, 3-3/4" long)	4	320001-	269001-	403001-
	IKS-1273-E	CLIP Assembly, Light Wire (1-1/4" x 1-1/16") 909136 Screw, No. 10 - 32 x 1/2 Mach	4 4	344802-	273126-	403241-
	IK-1273-F	CLAMP, Fuse - HC 909136 Screw, No. 10 - 32 x 1/2 Mach 920079 Lock Washer, No. 10 915667 Nut, No. 10 - 32 Hex	2 1 1 1	6503-	6503-	6503-
	IK-1273-G	CLIP, Light Wire Connector to Axle Carrier (3/4" wide, 1-11/16" long)	2	6503-	6503-	6503-
	IM-1273	CLIP, Generator Cable (5/8" wide, 4-1/4" long, 9/32" holes) 908299 Cap Screw, 1/4 - 20 x 1/2 Hex Hd 920081 Lock Washer, 1/4	1 1 1	327901-	271066-	403186-
	IK-2073	CLAMP, Cylinder Wire - Small (Hydro-Electric) (1/2" wide, 7/8" long, 7/32" hole)	2	320001-341033	269001-272900	403001-3510997
	IK-2074	CLAMP, Cylinder Wire - Large (Hydro-Electric) (1/2" wide, 1-1/2" long, 7/32" hole)	2	320001-3510323	269001-272900	402001-3510997
	IK-2111	CLIP, Hydro-Electric Control Wiring - Upper (3/4" wide, 5-1/4" long, 13/32" holes)	1	320001-344801	269001-273125	403001-403240
	IK-2112	CLIP, Hydro-Electric Control Wiring - Lower (3/4" wide, 1-3/4" long, 7/32" hole)	1	320001-344801	269001-273125	403001-403240

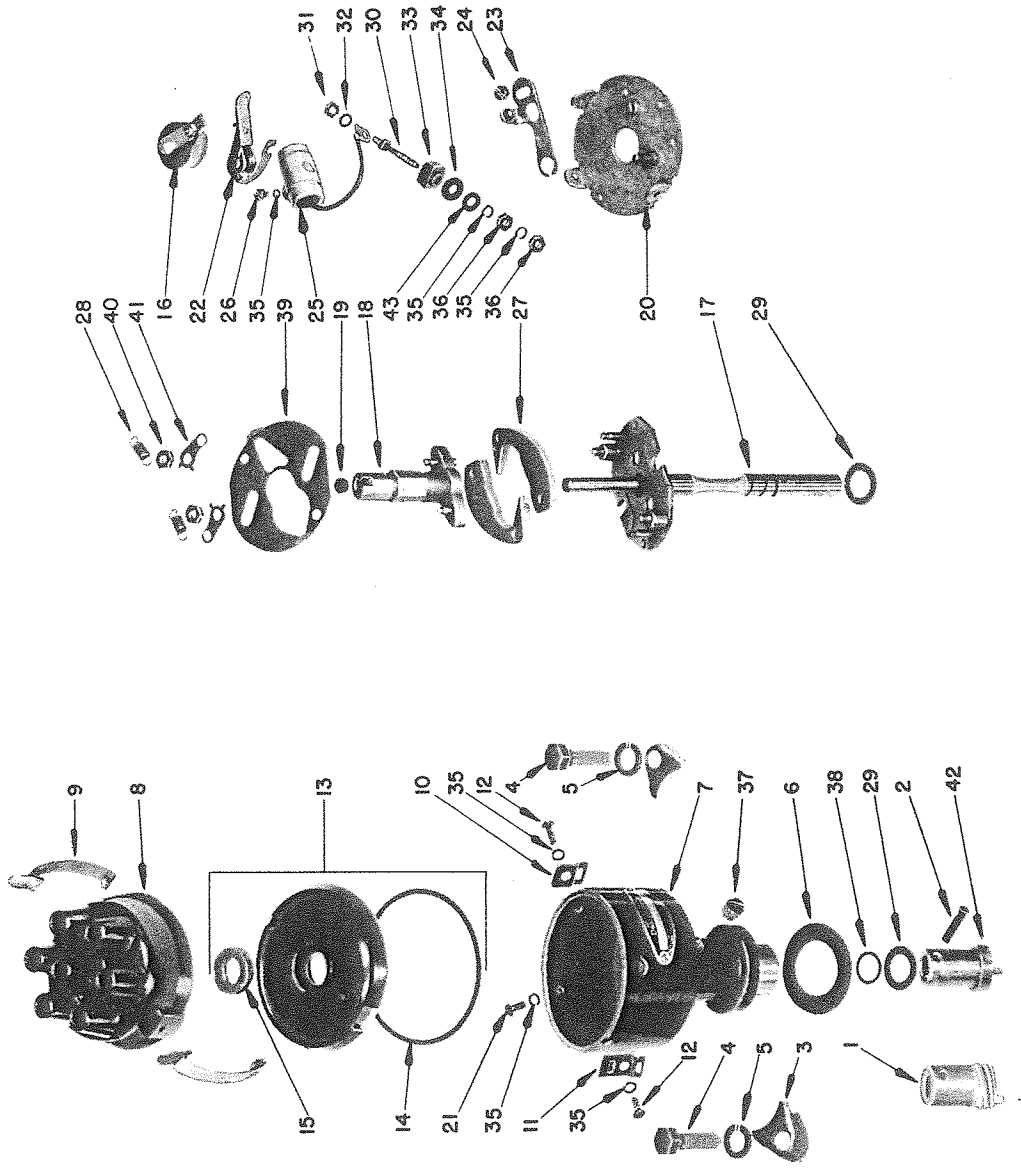
## GROMMETS

Ref. No.	Part Number	Description	No. Req.	Row Crop Serial Number	Standard Serial Number	Industrial Serial Number
	1FH-237	RING, Ignition Cable Rubber - HC and KD (7/8" OD, 1/2" ID, 3/16" thick)	2	320001-	269001-	403001-
	1FH-237	RING, Fuse Block to Combination Switch Wire Rubber (7/8" OD, 1/2" ID, 3/16" thick)	1	320001-6502	269001-6502	403001-6502
	1K-2068	GROMMET, Rubber (With Hydra-Lectric) (1-1/2" dia, 3/8" groove, 1" hole)	3	320001-	269001-	403001-
	1A-7362	GROMMET, Rubber (1/16" groove, 5/16" thick, 7/8" OD, 3/8" ID)	3	320001-	269001-	403001-
	1B-7362-B	GROMMET, Rubber (Without Hydra-Lectric) (5/8" dia, 1/8" groove, 3/8" hole)	1	320001-	269001-	403001-
	1CD-7364	GROMMET, Rubber (1-3/8" dia, 5/32" groove, 3/4" hole)	6	320001-	269001-	403001-

SECTION IV  
IGNITION AND ELECTRICAL SYSTEM

77 PARTS BOOK

DISTRIBUTOR



Ref. No.	Part Number	Description	No. Req.	Row Crop Serial Number	Standard Serial Number	Industrial Serial Number
	1K-7324	DISTRIBUTOR (Delco-Remy 1111702) - HC and KD (Order 1KA-7324)	1	320001-6502	269001-6502	403001-6502
	1KA-7324	DISTRIBUTOR (Delco-Remy 1111750) - HC and KD	1	6503-	6503-	6503-
Ref. No.	Part Number	Delco-Remy Part Number	Description			
1	1K-310		GEAR, Coupling (When Hour Meter is used with 1K-7324 Distributor) (Center of pin hole is 7/16" from top of gear) 932516 Groov-Pin, 3/16 x 7/8			
2	1K-310-B		GEAR, Coupling (Center of pin hole is 3/16" from top of gear)			
1	1H-335	829421	PIN, Ignition Coupling			
2	1H-336	2070940	CLAMP, Distributor S-3071 Cap Screw, 3/8 - 16 x 1-1/8 Hex Hd 920083 Lock Washer, 3/8			
3	1K-7326					
4						
5						

## DISTRIBUTOR

Ref. No.	Part Number	Delco-Remy Part Number	Description	IK-7324	1KA-7324
6	IK-7329		GASKET, Distributor	1	1
7	IK-7405	1909269	HOUSING (Bushing in this housing is not supplied separately for repairs)	1	1
7	IK-7405-A	1917312	HOUSING (Bushing in this housing is not supplied separately for repairs)	1	1
8	IK-7406	824735	CAP	2	2
9	IH-7408	1889967	SPRING, Cap	1	1
10	IH-7409	1847289	SUPPORT, Cap Spring	1	1
11	IH-7410	1889999	SUPPORT, Cap Spring Cover Locator	1	1
12	IK-7411	121832	SCREW, Cap Spring Support	2	2
13	IH-7413	1900119	COVER With Seal (1A-7415) and Gasket (IH-7414), Housing	1	1
14	IH-7414	1889966	GASKET, Housing Cover	1	1
15	1A-7415	1914309	SEAL, Housing Cover Felt	1	1
16	IH-7416	820445	ROTOR	1	1
16	IK-7416	1905590	ROTOR	1	1
17	IK-7417-A	1909271	SHAFT AND PLATE, Main	1	1
17	IK-7417-B	1928573	SHAFT AND PLATE, Min	1	1
18	IK-7418	1907950	CAM, Automatic and Breaker	1	1
18	IK-7418-A	1914623	CAM, Automatic and Breaker	1	1
19	IH-7419	816803	WICK, Breaker Cam Felt	1	1
19	IK-7419	819639	WICK, Breaker Cam Felt	1	1
20	IH-7420	1847643	PLATE, Breaker	1	1
21	IK-7421	121749	SCREW, Breaker Plate Support	1	1
22	IH-7422	813238	LEVER, Breaker (Order IHS-7422) (Not furnished separately for repairs)	1	1
22	IK-7422	1905344	LEVER, Breaker (Order IKS-7422) (Not furnished separately for repairs)	1	1
	IHS-7422	1855720	CONTACT Service Package	1	1
	IKS-7422	1911119	CONTACT Service Package	1	1
23	IH-7423	1848038	POINT And Support, Contact (Order IKS-7422 or IHS-7422)	1	1
24	IH-7424	816784	SCREW, Contact Adjusting	1	1
25	IH-7425	1869704	CONDENSER	1	1
26	IH-7426	131949	SCREW, Condenser Attaching	1	1
27	IK-7427	1880902	WEIGHT	4	4
28	IK-7428	1888115	SPRING, Weight	2	2
29	IK-7429	811912	WASHER, Spacers (1 under Weight Plate and 1 under Coupling)	2	2
30	IH-7430	1847647	STUD, Terminal	1	1
30	IK-7430	1916806	STUD, Terminal	1	1
31	IH-7431	817363	NUT, Terminal Stud (Inside)	1	1
32	IH-7432	810794	WASHER, Terminal Stud (Inside)	1	1
33	IH-7433	1878405	BUSHING, Terminal Stud (Inside)	1	1

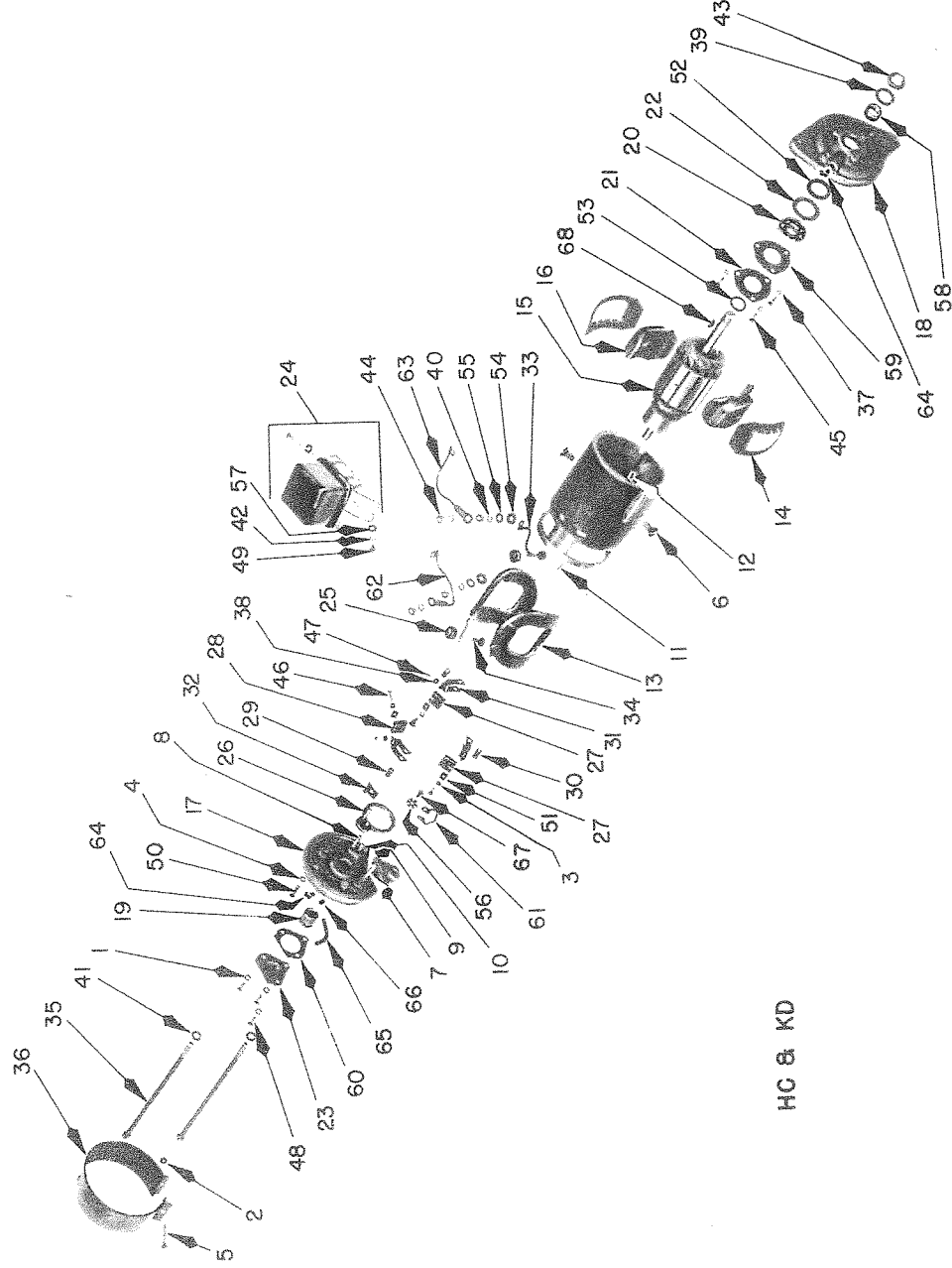
SECTION IV  
IGNITION AND ELECTRICAL SYSTEM

## 77 PARTS BOOK

## DISTRIBUTOR

Ref. No.	Part Number	Delco-Remy Part Number	Description	1K-7324	1KA-7324
33	1K-7433	1916805	BUSHING, Terminal Stud (Inside)		1
34	1K-7434	1882247	WASHER, Terminal Stud Insulating (Outside)	1	
34	1K-7434-A	1914142	BUSHING, Terminal Stud Insulating (Outside)		1
35	1H-7436	121841	LOCK WASHER, Terminal Stud (Outside) Lock Washer, Condenser Attaching Lock Washer, Breaker Plate Support Lock Washer, Locator Support	6	6
36	1H-7437	120622	NUT, Terminal Stud (Outside)	2	1
37	1K-7438-A	125947	PLUG, Pipe	1	1
38	1H-7439	810074	SHIM, Coupling (.005" Thick)	Req.	Req.
38	1H-7440	810078	SHIM, Coupling (.010" Thick)	Req.	Req.
39	1B-7441	1885557	PLUG, Weight Hold Down	1	
39	1K-7441-A	1885557	PLATE, Weight Hold Down		1
40	1K-7442	120614	NUT, Hold Down Plate Attaching	2	2
41	1B-7443	1885558	LOCK WASHER, Hold Down Plate Attaching Nut	2	2
42	1K-7444	1909273	COUPLING	1	
	1K-7445	1914144	CLIP, Terminal Stud Lock		1
43	1A-7743	24754	WASHER, Terminal Stud Plain (Outside)	1	
	7A-7820	1904376	LOCK WASHER, Terminal Stud (Inside)		1

## GENERATOR (HC - KD)



HC &amp; KD

Ref. No.	Part Number	Description	No. Req.	Row Crop Set id Number	Standard Set id Number	Industrial Set id Number
	1K-7351	GENERATOR (Delco-Remy 1101391) - 6 Volt - HC and KD (Order 1K-7351-C)	1	320001-335280	269001-272115	403001-403185
	1K-7351-C	GENERATOR (Delco-Remy 1100504) - 6 Volt - HC and KD	1	335281-6502	272116-6502	403186-6502
Ref. No.	Part Number	Description				
1	1H-7436	121841 LOCK WASHER, End Cover Plate	1K-7351			
2	1K-7442	120614 NUT, Cover Band	3			
3	1K-7726	131044 LOCK WASHER, Brush Attaching Screw	1			
4	1B-7728	106497 LOCK WASHER, Third Brush Plate Clamp Screw (Order 1K-7885, Delco-Remy 120217)	3			
5	1B-7736	132926 SCREW, Cover Band	1			
6	1B-7738	1843646 SCREW, Pole Shoe	2			
7	1B-7764	817313 PIN, Brush Holder Hinge	1			
8	1B-7765	812016 PIN, Brush Holder and Insulation	1			
					1K-7351	1K-7351-C

SECTION IV  
IGNITION AND ELECTRICAL SYSTEM

## 77 PARTS BOOK

## GENERATOR (HC - KD)

Ref. No.	Part Number	Delco-Remy Part Number	Description	1K-7351	1K-7351-C
9	1B-7766	817314	PIN, Brush Holder Stop	1	1
10	1B-7767	812015	PIN, Brush Holder Stop and Insulation	1	1
11	1B-7768	809062	DOWEL PIN - Commutator End	1	1
12	1B-7769	809593	DOWEL PIN, Drive End	1	1
13	1K-7775	1909070	COIL, Field	1	1
13	1K-7775-A	1913554	COIL, Field		1
14	1K-7776	1914491	INSULATOR, Field Coil		2
15	1B-7777	1841027	ARMATURE	1	
15	1KA-7777	1921351	ARMATURE		1
16	1B-7778	816331	SHOE, Pole	2	
16	1K-7778	1914618	SHOE, Pole		2
17	1B-7779	817216	FRAME - Commutator End	1	1
18	1K-7780	1855960	FRAME - Drive End	1	1
19	1B-7781	812823	BUSHING, Commutator End Frame		1
20	1B-7782	3023S1446	BALL BEARING (ND-3203) - Drive End		1
21	1B-7783	1855702	PLATE, Ball Bearing Retainer - Drive End (Order 1K-7783)	1	
21	1K-7783	1911263	PLATE, Ball Bearing Retainer - Drive End	1	1
22	1B-7784	819104	PLATE, Felt Washer Retainer - Drive End	1	1
23	1B-7785	820524	PLATE, End Cover - Commutator End	1	1
24	1K-7786	1118305	REGULATOR (With Clamps and Screws)	1	1
25	1A-7787	1885090	BUSHING, Terminal Stud		2
	1K-7787	1868137	CLAMP - Regulator Terminal	4	
26	1B-7793	809698	PLATE, Third Brush	1	1
27	1B-7794	1836664	BRUSH, Main	2	2
28	1B-7795	1906939	BRUSH, Third	1	1
29	1B-7796	809658	SPRING, Insulating Main Brush	1	1
30	1B-7797	809644	SPRING, Third Brush and Ground	2	2
31	1B-7798	809642	HOLDER, Brush	3	3
32	1B-7799	817532	CLAMP, Third Brush Plate	1	1
33	1B-7800	1858754	STUD and Lead, Terminal	1	1
34	1B-7801	1858749	STUD, Terminal - Only	1	1
34	1K-7801	1858751	STUD, Terminal - Only		1
35	1B-7802	815018	BOLT, Thru	2	2
36	1B-7803	1872638	BAND, Cover	1	1
37	1K-7814	1880781	LOCK WASHER, Ball Bearing Retainer Plate	3	3
38	1B-7815	802730	LOCK WASHER, Brush Lead Attaching Screw	3	
38	1K-7815	1904377	LOCK WASHER, Brush Lead Attaching		3
39	1B-7817	804000	LOCK WASHER, Shaft Nut - Drive End	1	1



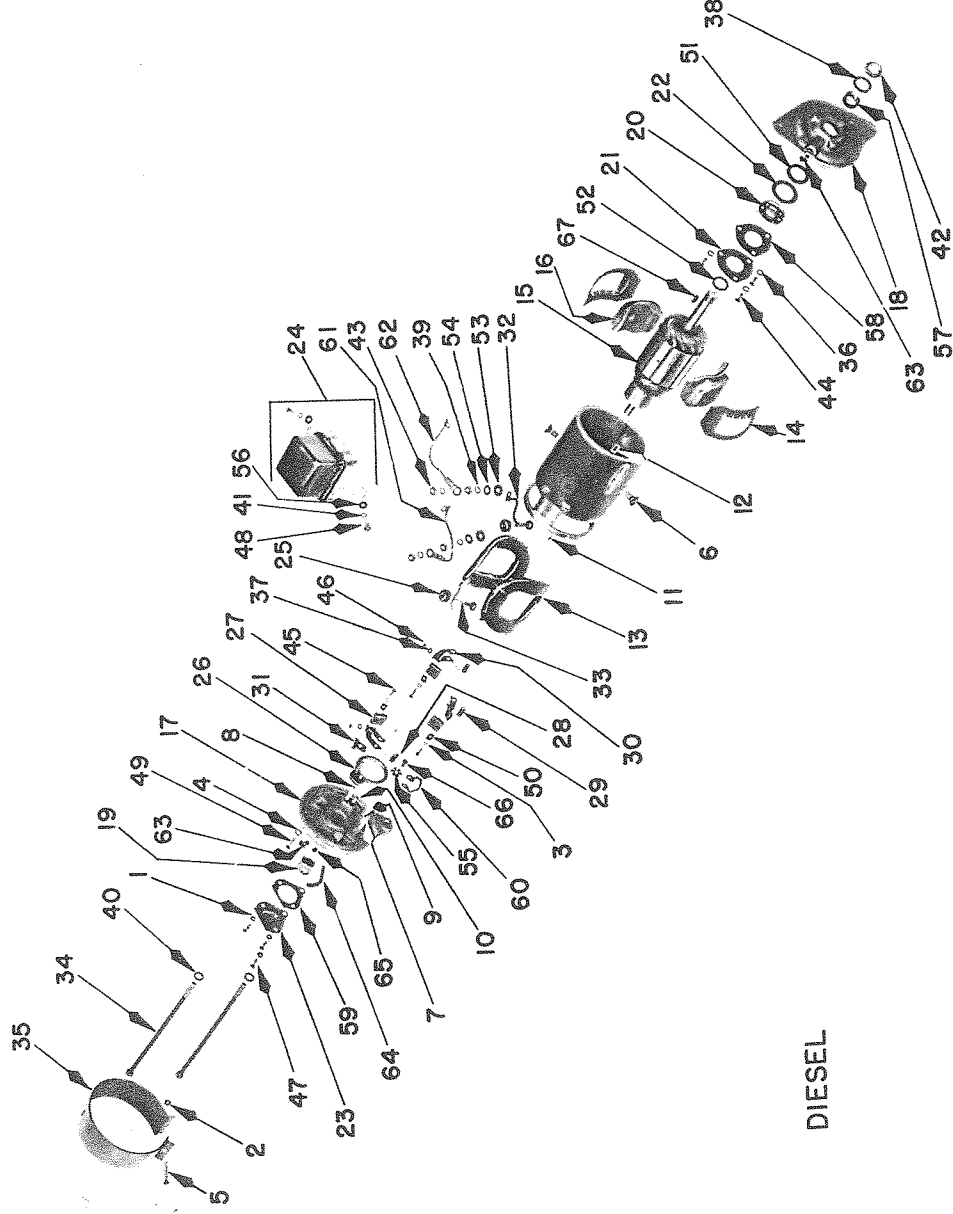
## GENERATOR (HC - KD)

Ref. No.	Part Number	Delco-Remy Part Number	Description	1K-7351	1K-7351-C
40	1B-7818	802757	LOCK WASHER, Terminal Stud	4	
40	1K-7818	1904661	LOCK WASHER, Terminal Stud		4
41	1B-7819	108579	LOCK WASHER, Thru Bolt	2	
41	1K-7819	120638	LOCK WASHER, Thru Bolt		2
42	1A-7820	138479	LOCK WASHER, Regulator Mounting	2	2
43	1B-7821	806915	NUT, Shaft - Drive End	1	1
44	1B-7822	121743	NUT, Terminal Stud	4	4
45	1B-7825	1904829	SCREW, Ball Bearing Retainer Plate	3	
45	1K-7825	1904370	SCREW, Ball Bearing Retainer Plate		3
46	1B-7826	1862803	SCREW, Brush Attaching	3	
46	1K-7826	451608	SCREW, Brush Attaching		3
47	1B-7827	141540	SCREW, Brush Lead Attaching	3	3
48	1B-7829	1864099	SCREW, Regulator Terminal	4	
48	1K-7829	1886496	SCREW, End Cover Plate	3	3
49	1K-7831	132900	SCREW, Regulator Mounting	2	2
50	1B-7832	141543	SCREW, Third Brush Plate Clamp	1	1
51	1B-7836	809551	WASHER, Brush Attaching Screw - Plain	3	3
52	1B-7837	809961	WASHER, Felt - Drive End	1	1
53	1B-7838	809945	WASHER, Space - Inside Drive End	1	1
54	1B-7839	1858753	WASHER, Terminal Stud Insulating	2	2
55	1B-7840	1881409	WASHER, Terminal Stud Plain	2	2
56	1B-7841	809824	WASHER, Third Brush Plate Spring	1	1
57	1A-7842	1856056	WASHER, Regulator Mounting - Plain	2	2
58	1B-7844	817224	COLLAR, Space - Outside Drive End	1	1
59	1B-7845	1855701	GASKET, Ball Bearing Retainer Plate - Drive End	1	1
59	1K-7845-A	1912008	GASKET, Ball Bearing Retainer Plate - Drive End		
60	1B-7846	817220	GASKET, End Cover Plate - Commutator End	1	1
61	1B-7847	809688	LEAD, Brush Ground	1	1
62	1K-7848-B	1911485	LEAD ("A" Terminal to Regulator)	1	1
63	1K-7849	1872924	LEAD ("F" Terminal to Regulator)	1	1
63	1K-7849-B	1911481	LEAD ("F" Terminal to Regulator)		
64	1A-7854	1880635	OILER - Drive End and Commutator End	2	2
64	1B-7854	113702	OILER - Drive End and Commutator End	1	1
65	1B-7855	804076	WICK - Commutator End	1	1
66	1K-7856	1911097	PLUG, Oil Hole - Commutator End	1	1
67	1B-7857	200182	CLIP, Terminal to Brush	2	2
67	1B-7858	809614	PIN, Third Brush Plate Spring Washer	1	1
68	1B-7859	124545	KEY, Woodruff - Drive End	1	1

SECTION IV  
IGNITION AND ELECTRICAL SYSTEM

77 PARTS BOOK

GENERATOR (DIESEL)



DIESEL

Ref. No.	Part Number	Description	No. Req.	Row Crop Serial Number	Standard Serial Number	Industrial Serial Number
	1K-7351-A	GENERATOR (Delco-Remy 1101779) - 12 Volt - Diesel (Order 1K-7351-D)	1	320001-332209	269001-271410	
	1K-7351-B	GENERATOR (Delco-Remy 1101775) - 12 Volt - Diesel (Order 1K-7351-D)	1	332210-335280	271411-272129	403001-403185
	1K-7351-D	GENERATOR (Delco-Remy 1100953) - 12 Volt - Diesel	1	335281-6502	272130-6502	403186-6502
Ref. No.	Part Number	Description				
1	1H-7436	121841	LOCK WASHER, End Cover Plate	1K-7351-A	1K-7351-B	1K-7351-D
2	1K-7442	120614	NUT, Cover Band	3	1	3
3	1K-7726	131044	LOCK WASHER, Brush Attaching Screw	3	3	3
4	1B-7728	106497	LOCK WASHER, Third Brush Plate Clamp Screw (Order 1K-7885, Delco-Remy 1202107)	1	1	1
5	1B-7736	132926	SCREW, Cover Band	1	1	1
5	1K-7736	132930	SCREW, Cover Band	1	1	1

## GENERATOR (DIESEL)

Ref. No.	Part Number	Delco-Remy Part Number	Description	1K-7351-A	1K-7351-B	1K-7351-D
6	1B-7738	1843646	SCREW, Pole Shoe	2	2	2
7	1B-7764	817313	PIN, Brush Holder Hinge	1	1	1
8	1B-7765	812016	PIN, Brush Holder and Insulation	1	1	1
9	1B-7766	817314	PIN, Brush Holder Stop	1	1	1
10	1B-7767	812015	PIN, Brush Holder Stop and Insulation	1	1	1
11	1B-7768	809062	DOWEL PIN - Commutator End	1	1	1
12	1B-7769	809593	DOWEL PIN, Drive End	1	1	1
13	1B-7775-A	1902104	COIL SET, Field	1	1	1
13	1K-7775-B	1922700	COIL SET, Field			2
14	1K-7776	1914491	INSULATOR, Field Coil			
15	1B-7777-A	1855429	ARMATURE	1	1	1
15	1K-7777-A	1872608	ARMATURE			2
16	1B-7778-A	813496	SHOE, Pole	2	2	
16	1K-7778	1914618	SHOE, Pole			2
17	1B-7779	817216	FRAME - Commutator End	1	1	1
18	1K-7780	1855960	FRAME - Drive End	1	1	1
19	1B-7781	812823	BUSHING, Commutator End Frame	1	1	1
20	1B-7782	3023S1446	BALL BEARING (ND-3203) - Drive End	1	1	1
21	1K-7783	1911263	PLATE, Ball Bearing Retainer - Drive End	1	1	1
22	1B-7784	819104	PLATE, Felt Washer Retainer - Drive End	1	1	1
23	1B-7785	820524	PLATE, End Cover - Commutator End	1	1	1
24	1K-7786-A	5849	REGULATOR (With Clamps and Screws)	1		
24	1K-7786-B	1118306	REGULATOR (With Clamps and Screws)		1	1
25	1A-7787	1885090	BUSHING, Terminal Stud			2
26	1B-7793	809698	PLATE, Third Brush	1	1	1
27	1B-7794-A	809637	BRUSH, Main	3	3	3
28	1B-7796	809658	SPRING, Insulating Main Brush	1	1	1
29	1B-7797	809644	SPRING, Third Brush and Ground	2	2	2
30	1B-7798	809642	HOLDER, Brush	3	3	3
31	1B-7799	817532	CLAMP, Third Brush Plate	1	1	1
32	1B-7800	1858754	STUD and Lead, Terminal	1	1	1
33	1B-7801	1858749	STUD, Terminal - Only	1	1	1
33	1K-7801	1858751	STUD, Terminal - Only			1
34	1B-7802	815018	BOLT, Thru	2	2	2
35	1B-7803	1872638	BAND, Cover	1	1	1
36	1K-7814	1880781	LOCK WASHER, Ball Bearing Retainer Plate			3
37	1B-7815	802730	LOCK WASHER, Brush Lead Attaching Screw	3	3	3
37	1K-7815	1904377	LOCK WASHER, Brush Lead Attaching	2	2	2

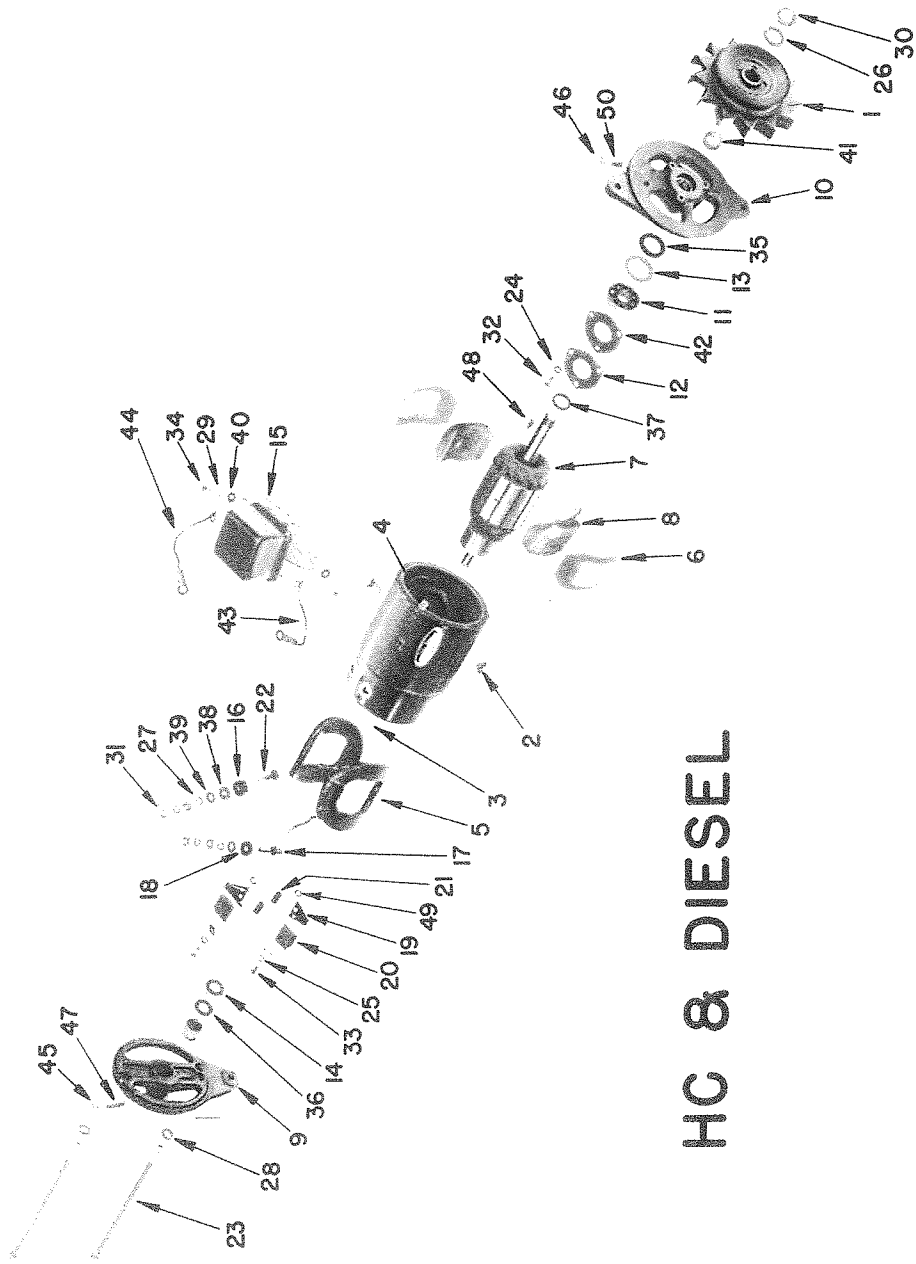
SECTION IV  
IGNITION AND ELECTRICAL SYSTEM

## 77 PARTS BOOK

## GENERATOR (DIESEL)

Ref. No.	Part Number	Delco-Remy Part Number	Description	1K-7351-A	1K-7351-B	1K-7351-D
38	1B-7817	804000	LOCK WASHER, Shaft Nut - Drive End	1	1	1
39	1B-7818	802757	LOCK WASHER, Terminal Stud	4	4	
39	1K-7818	1904661	LOCK WASHER, Terminal Stud			4
40	1B-7819	108579	LOCK WASHER, Thru Bolt	2	2	2
40	1K-7819-A	120638	LOCK WASHER, Thru Bolt			
41	1A-7820	138479	LOCK WASHER, Regulator Mounting	2	2	2
42	1B-7821	806915	NUT, Shaft - Drive End	1	1	1
43	1B-7822	121743	NUT, Terminal Stud	4	4	4
44	1K-7825	1904370	SCREW, Ball Bearing Retainer Plate	3	3	3
45	1B-7826	1862803	SCREW, Brush Attaching	3	3	3
45	1K-7826	451608	SCREW, Brush Attaching			
46	1B-7827	141540	SCREW, Brush Lead Attaching	2	2	2
47	1K-7829	1886496	SCREW, End Cover Plate	3	3	3
48	1K-7831	132900	SCREW, Regulator Mounting	2	2	2
49	1B-7832	141543	SCREW, Third Brush Plate Clamp	1	1	1
50	1B-7836	809551	WASHER, Brush Attaching Screw - Plain	3	3	3
51	1B-7837	809961	WASHER, Felt - Drive End	1	1	1
52	1B-7838	809945	WASHER, Space - Inside Drive End	1	1	1
53	1B-7839	1858753	WASHER, Terminal Stud Insulating	2	2	2
54	1B-7840	1881409	WASHER, Terminal Stud Plain	2	2	2
55	1B-7841	809824	WASHER, Third Brush Plate Spring	1	1	1
56	1A-7842	1856056	WASHER, Regulator Mounting Plain	2	2	2
57	1B-7844	817224	COLLAR, Space - Outside Drive End	1	1	1
58	1K-7845-A	1912008	GASKET, Ball Bearing Retainer Plate - Drive End	1	1	1
59	1B-7846	817220	GASKET, End Cover Plate - Commutator End	1	1	1
60	1B-7847	809688	LEAD, Brush Ground	1	1	1
61	1K-7848-A	1911480	LEAD ("A" Terminal To Regulator)	1	1	1
61	1K-7848-B	1911485	LEAD ("A" Terminal To Regulator)			
62	1K-7849-A	1868761	LEAD ("F" Terminal To Regulator)	1	1	1
62	1K-7849-B	1911481	LEAD ("F" Terminal To Regulator)			
63	1A-7854	1880635	OILER - Drive End and Commutator End	2	2	2
63	1B-7854	113702	OILER - Drive End and Commutator End	1	1	1
64	1B-7855	804076	WICK - Commutator End	1	1	1
65	1K-7856	1911097	PLUG, Oil Hole - Commutator End	1	1	1
	1B-7857	200182	CLIP, Terminal to Brush	1	1	1
66	1B-7858	809614	PIN, Third Brush Plate Spring Washer	1	1	1
67	1B-7859	124545	KEY, Woodruff - Drive End	1	1	1

## GENERATOR (HC - DIESEL)



## HC &amp; DIESEL

Ref. No.	Part Number	Description	No. Req.	Row Chop Set of Number	Standard Set of Number	Industry Set of Number
	1K-7351-F	GENERATOR (Delco-Remy 1100029) - 6 Volt - HC	1	6503-	6503-	6503-
	1K-7351-G	GENERATOR (Delco-Remy 1100314) - 12 Volt - Diesel	1	6503-	6503-	6503-
Ref. No.	Part Number	Description	Delco-Remy Part Number	1K-7351-F	1K-7351-G	
1	1K-1265-B	PULLEY And Fun	1911978	1	1	1
2	1B-7738	SCREW, Pole Shoe	1843646	2	2	2
3	1B-7768	DOWEL PIN, Commutator End	809062	1	1	1
4	1B-7769	DOWEL PIN, Drive End	809593	1	1	1
5	1K-7775-C	COIL SET, Field	1921356	1	1	1
5	1K-7775-D	COIL SET, Field	1923625			1
6	1K-7776	INSULATOR, Field Coil	1914491	2	2	2

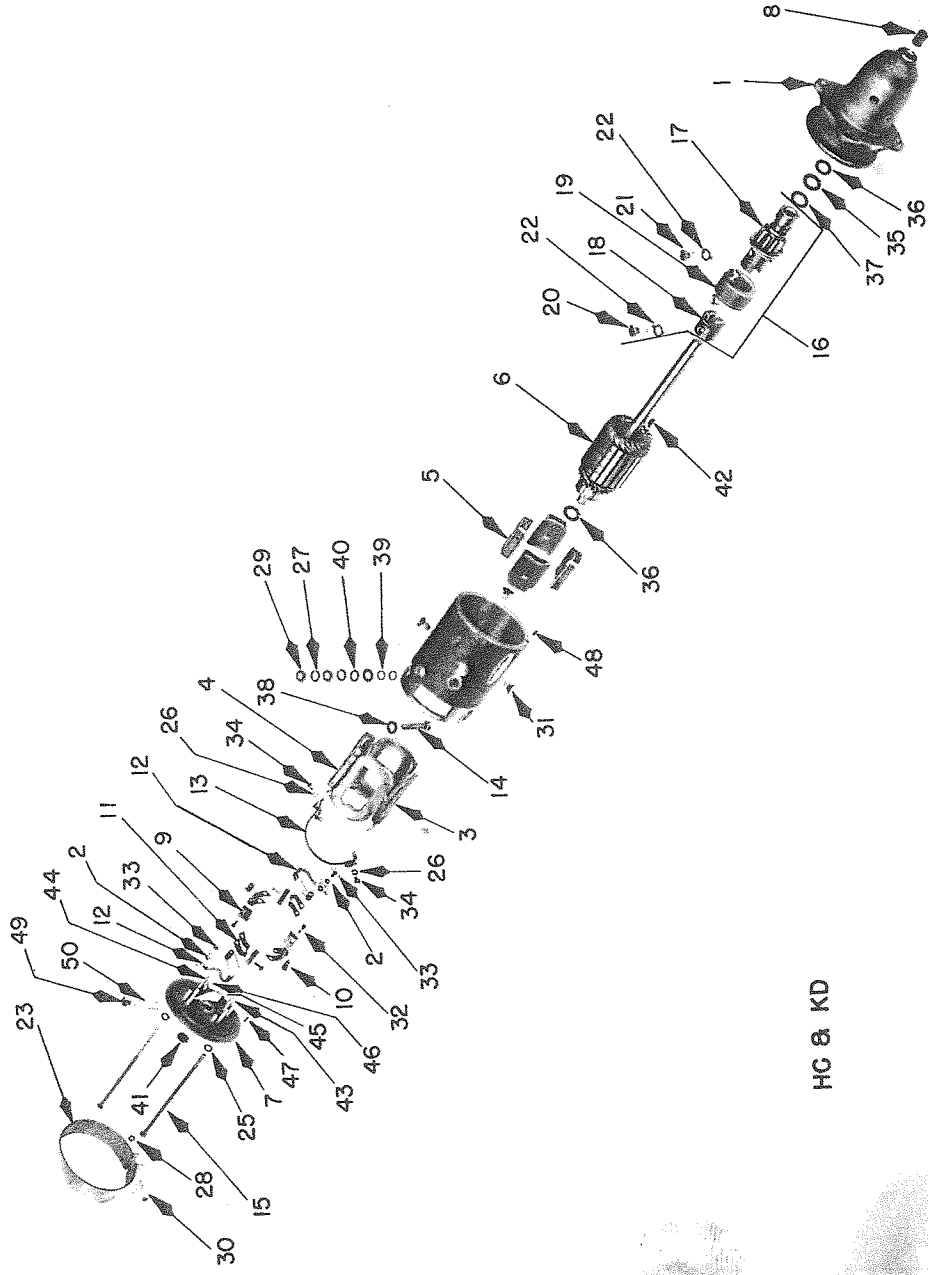
## GENERATOR (HC - DIESEL)

Ref. No.	Part Number	Delco-Remy Part Number	Description	1K-7351-F	1K-7351-G
7	1K-A-7777	1921351	ARMATURE	1	1
7	1K-7777-B	817807	ARMATURE	2	2
8	1K-7778	1944618	SHOE, Pole	1	1
9	1K-7779	1927451	FRAME, Commutator End (Includes: Bushings, Felt, Retainer and Wick)	1	1
10	1K-7780-A	1910404	FRAME, Drive End	1	1
11	1K-7782	907503	BEARING, Drive End Ball	1	1
12	1K-7783	1914263	PLATE, Drive End Ball Bearing Retainer	1	1
13	1B-7784	819104	PLATE, Drive End Felt Washer Retainer	1	1
14	1K-7784	1927448	CUP, Commutator End Felt Retainer	1	1
15	1K-7786-C	1118790	REGULATOR	1	1
15	1K-7786-D	1118791	REGULATOR	1	1
16	1A-7787	1885090	BUSHING, Field Terminal	1	1
17	1K-7788	1921369	STUD, Armature Terminal	1	1
18	1K-7789	1921362	BUSHING, Armature Terminal	1	1
	1K-7790	1922288	HOLDER Package, Ground Brush (Not Illustrated)	1	1
	1K-7791	1922289	HOLDER Package, Insulated Brush (Not Illustrated)	1	1
19	1K-7792	1878183	ARM, Brush	2	2
20	1K-7794	1906946	BRUSH	2	2
20	1K-7794-A	1923295	BRUSH	2	2
21	1K-7796	1908829	SPRING, Brush	1	1
22	1K-7801-A	1921860	STUD, Field Coil Terminal	2	2
23	1B-7802	815018	BOLT, Thru	3	3
24	1K-7814	1880781	LOCK WASHER, Ball Bearing Retainer Plate	2	2
25	1K-7815	1904377	LOCK WASHER, Brush Lead Attaching Screw	2	2
26	1B-7817	804000	LOCK WASHER, Drive End Shaft Nut	1	1
27	1K-7818	1904661	LOCK WASHER, Terminal Stud	4	4
28	1K-7819	120638	LOCK WASHER, Thru Bolt	2	2
29	1A-7820	138479	LOCK WASHER, Regulator Mounting	1	1
30	1B-7821	806915	NUT, Drive End Shaft	4	4
31	1B-7822	121743	NUT, Terminal Stud	3	3
32	1K-7825	1904370	SCREW, Ball Bearing Retainer Plate	2	2
33	1K-7827	132688	SCREW, Brush Lead Attaching	2	2
34	1K-7831	132900	SCREW, Regulator Mounting	1	1
35	1B-7837	809961	WASHER, Drive End Felt	1	1
36	1K-7837	1927447	WASHER, Commutator End Felt	1	1
37	1B-7838	809945	WASHER, Inside Drive End Space	1	1
38	1B-7839	1858753	WASHER, Field Terminal Insulating Stud	1	1

## GENERATOR (HC - DIESEL)

Ref. No.	Part Number	Delco-Remy Part Number	Description	1K-7351-F	1K-7351-G
39	1B-7840	1881409	WASHER, Terminal Stud Plain	2	2
40	1A-7842	1856056	WASHER, Regulator Mounting Plain	2	2
41	1K-7844	1858603	COLLAR, Outside Drive End Space	1	1
42	1K-7845-A	1912008	GASKET, Drive End Ball Bearing Retainer Plate	1	1
43	1K-7848-B	1911485	LEAD, "A" Terminal to Regulator	1	1
44	1K-7849-B	1911481	LEAD, "F" Terminal to Regulator	1	1
45	1A-7854	1880635	OILER, Commutator End	1	1
46	1K-7854	1880641	OILER, Drive End	1	1
47	1K-7855	804080	WICK, Commutator End Oil	1	1
48	1K-7857	200382	CLIP, Terminal (Not Illustrated)	1	1
49	1K-7859	124545	KEY, Drive End Woodruff	1	1
49	1K-7860	1857412	WASHER, Brush Arm Space	2	2
50	1K-7861	823551	WICK, Drive End Felt	1	1

STARTING MOTOR (HC - KD)



HC 8 KD

Ref. No.	Part Number	Description	No. Req.	Row Crop Serial Number	Standard Serial Number	Industrial Serial Number	
	1K-7375	MOTOR, Starting (Delco-Remy 1107939) - 6 Volt - HC and KD	1	320001-	269001-	403001-	
Ref. No.	Part Number	Delco-Remy Part Number	Description				No. Req.
1	1K-7401	1908883	HOUSING, Drive				1
2	1H-7436	121841	LOCK WASHER, Ground Lead Attaching Screw				2
3	1K-7702	826282	COIL, Field - Upper				1
4	1K-7703	826281	COIL, Field - Lower				1
5	1B-7704	810601	POLE, Shoe				4
6	1B-7705	818002	ARMATURE				1
7	1D-7706	1908580	FRAME With Pin Assembly, Commutator End				1
8	1B-7707	810620	BUSHING - Drive End				1
9	1B-7709	811553	BRUSH				4



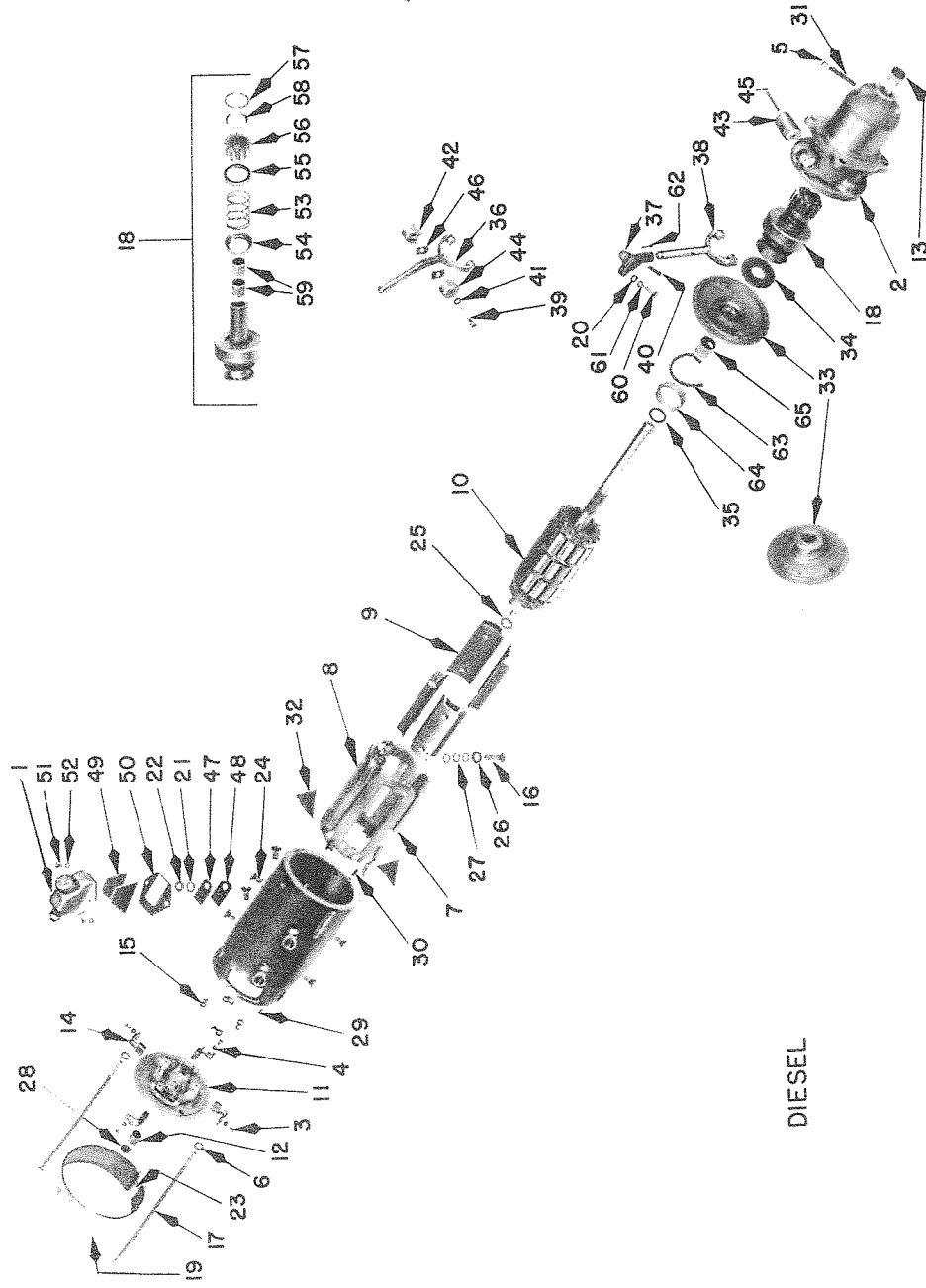
## STARTING MOTOR (HC - KD)

Ref. No.	Part Number	Delco-Remy Part Number	Description	No. Req.
10	1B-7710	813521	SPRING, Brush	4
11	1B-7711	810226	HOLDER, Brush	4
12	1B-7712	813554	LEAD, Brush Ground	2
13	1B-7713	819362	LEAD, Brush and Field Connector	1
14	1B-7714	826938	STUD, Terminal	1
15	1D-7715	1904523	BOLT, Thru	2
16	1B-7716	1850844	DRIVE, Bendix - Complete	1
17	1B-7717	1853012	GEAR And Shaft - Only	1
18	1B-7719	1848530	HEAD, Drive	1
19	1B-7720	1850812	SPRING, Drive	1
20	1B-7721	1850811	BOLT, Head Spring	1
21	1B-7722	1850810	SCREW, Shaft Spring	1
22	1B-7723	805057	LOCK WASHER (Special)	2
23	1B-7724	1886923	BAND, Cover	1
25	1K-7726	131044	LOCK WASHER, Brush Attaching Screw	4
25	1L-7727	120380	LOCK WASHER, Thru Bolt	2
26	1B-7728	106497	LOCK WASHER, Brush Lead Attaching (Order 1K-7885, Delco-Remy 120217)	2
27	1K-7729	120381	LOCK WASHER, Terminal Stud	2
28	1B-7732	103088	NUT, Cover Band Screw (Order 1A-7449, Delco-Remy 120614)	1
29	1B-7733	805258	NUT, Terminal Stud	2
30	1B-7736	132926	SCREW, Cover Band	1
31	1D-7738	1881869	SCREW, Pole Shoe	4
32	1B-7739	115903	SCREW, Brush Attaching	4
33	1L-7740	122159	SCREW, Ground Lead Attaching	2
34	1B-7741	132892	SCREW, Brush Lead Attaching	2
35	1B-7745	1849774	WASHER - Space Drive End (5/8" x 1-1/16" x 3/32")	1
36	1A-7746	833602	WASHER - Space Commutator End and Drive End (9/16" x 63/64" x 1/16")	2
37	1B-7746	809815	WASHER - Space Drive End (5/8" x 1-1/16" x 1/16")	1
38	1B-7747	1861076	WASHER - Terminal Stud Insulation (3/4" OD)	2
39	1B-7748	1904669	WASHER - Terminal Stud Insulation (9/16" OD)	2
40	1B-7749	805790	WASHER - Terminal Stud - Plate	1
41	1B-7757	810819	PLUG, Expansion - Commutator End	1
42	1B-7763	124546	KEY, Armature Shaft Woodruff	1
43	1B-7764	817313	PIN, Brush Holder Hinge	2
44	1B-7765	812016	PIN, Brush Holder Hinge and Insulation	2
45	1B-7766	817314	PIN, Brush Holder Stop	2
46	1B-7767	812015	PIN, Brush Holder Stop and Insulation	2

## STARTING MOTOR (HC - KD)

Ref. No.	Part Number	Delco-Remy Part Number	Description	No. Req.
47	1B-7768	809062	DOWEL PIN - Commutator End	1
48	1B-7769	809593	DOWEL PIN - Drive End	1
49	1B-7771	1880642	OILER - Commutator End	1
50	1B-7772	802691	WICK, Oiler - Commutator End	1

STARTING MOTOR (DIESEL)



DIESEL

Ref. No.	Part Number	Description	No. Req.	Row Crop Serial Number	Standard Serial Number	Industrial Serial Number
	1K-7375-A	MOTOR, Starting (Delco-Remy 1109225) - 12 Volt - Diesel (Order 1K-7375-C)	1	320001-335867	269001-272407	403001-403185
	1K-7375-B	MOTOR, Starting (Delco-Remy 1109233) - 12 Volt - Diesel (Order 1K-7375-C)	1	335868-	272408-	403186-
	1K-7375-C	MOTOR, Starting (Delco-Remy 1109170) - 12 Volt - Diesel	1	335868-	272408-	403186-
Ref. No.	Part Number	Delco-Remy Part Number	Description	1K-7375-A	1K-7375-B	1K-7375-C
1	1K-7392	1857519	SWITCH, Starter	1	1	1
2	1K-7401-A	1911643	HOUSING, Drive	1	1	1
2	1K-7401-B	1917669	HOUSING, Drive	4	4	4
3	1K-7421	121749	SCREW, Brush Lead Attaching	4	4	4
4	1H-7436	121841	LOCK WASHER, Brush Lead Attaching	1	1	1
5	1K-7438-A	125947	PLUG, Pipe	1	1	1
6	1B-7449	120214	LOCK WASHER, Thru Bolt	2	2	2

SECTION IV  
IGNITION AND ELECTRICAL SYSTEM

## 77 PARTS BOOK

## STARTING MOTOR (DIESEL)

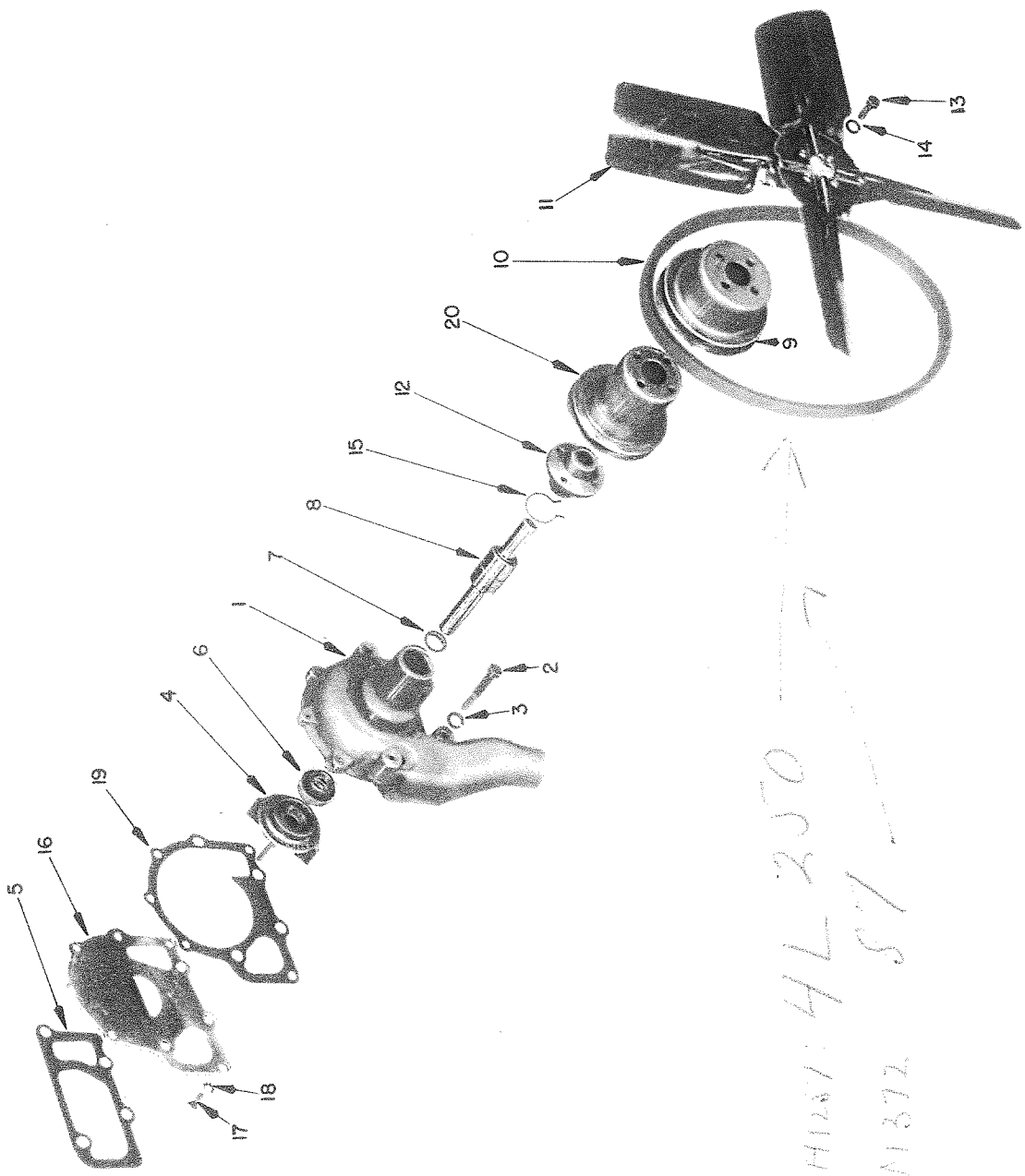
Ref. No.	Part Number	Delco-Remy Part Number	Description	1K-7375-A	1K-7375-B	1K-7375-C
7	1K-7702-A	1910048	COIL, Field - Upper	1	1	1
8	1K-7703-A	1910047	COIL, Field - Lower	1	1	1
9	1K-7704	1909462	SHOE, Pole	4	4	4
10	1K-7705	1911638	ARMATURE (Order 1K-7705-A)	1	1	1
10	1K-7705-A	1913955	ARMATURE			
11	1K-7706	1909789	FRAME, Commutator End	1	1	1
12	1B-7707	810620	BUSHING, Commutator End	1	1	1
13	1K-7707	1904083	BUSHING, Drive End	1	1	1
14	1K-7709	1906909	BRUSH	4	4	4
15	1K-7710	1861785	SPRING, Brush	4	4	4
16	1K-7714	1911610	STUD, Terminal	1	1	1
17	1K-7715	1872411	BOLT, Thru	2	2	2
18	1K-7716	1911613	DRIVE Assembly, Motor	1	1	1
18	1K-7716-A	1914341	DRIVE Assembly, Motor	1	1	1
19	1K-7724	1889664	BAND, Cover	1	1	1
20	1B-7729	103320	LOCK WASHER, Shift Lever Adjusting	1	1	1
21	1K-7729	120381	LOCK WASHER, Terminal Stud	1	1	1
22	1B-7733	805258	NUT, Terminal Stud	1	1	1
23	1B-7736	132926	SCREW, Cover Band	1	1	1
24	1B-7738	1843646	SCREW, Pole Shoe	8	8	8
25	1K-7746	1911232	WASHER, Commutator End Space	1	1	1
26	1B-7747	1861076	WASHER, Insulating Terminal Stud	2	2	2
27	1B-7748	1904669	WASHER, Insulating Terminal Stud	3	3	3
28	1B-7758	1865182	PLUG, Commutator End	1	1	1
29	1B-7768	809062	DOWEL PIN, Commutator End	1	1	1
30	1K-7769	1857751	DOWEL PIN, Drive End	1	1	1
31	1K-7772	1909654	WICK	1	1	1
32	1K-7871	1913534	STRIP, Field Coil Insulating	2	2	2
33	1K-7872	1911611	BEARING, Center	1	1	1
34	1K-7873	1911644	WASHER, Brake	1	1	1
35	1K-7874	1911645	WASHER, Space	1	1	1
36	1K-7875	1911632	LEVER, Shift	1	1	1
37	1K-7875-A	1918536	LEVER, Shift - Upper	1	1	1
38	1K-7875-B	1914253	LEVER, Shift - Lower	1	1	1
39	1K-7876	1874496	SCREW, Shift Lever Attaching	1	1	1
40	1K-7876-A	1914258	PIN, Lever Attaching - Upper			
41	1K-7877	138484	LOCK WASHER, Shift Lever Attaching Screw	1	1	1
42	1K-7878	1911636	SUPPORT, Shift Lever (Threaded)	1	1	1

## STARTING MOTOR (DIESEL)

Ref. No.	Part Number	Delco-Remy Part Number	Description	1K-7375-A	1K-7375-B	1K-7375-C
43	1K-7878-A	1914257	SHAFT, Lever		1	1
44	1K-7879	1911637	SUPPORT, Shift Lever (Plain)	1		
45	1K-7879-A	1914256	PIN, Lever Shaft Dowel		1	1
46	1K-7880	1911635	GASKET, Shift Lever Support	2		
47	1K-7881	1857270	INSULATOR, Contact (Outside)	1	1	1
48	1K-7882	1857271	CONTACT, Switch Terminal	1	1	1
49	1K-7883	1857269	INSULATOR, Switch Mounting Screw	2		
50	1K-7883-A	1918057	GASKET, Switch		1	1
51	1K-7884	121540	SCREW, Switch Mounting	2	2	2
52	1K-7885	120217	LOCK WASHER, Switch Mounting	2	2	2
53	1K-7886	1923133	SPRING	1	1	1
54	1K-7887	1911622	CUP, Spring - Inner	1	1	1
55	1K-7888	1911628	CUP, Spring - Outer	1	1	1
56	1K-7889	1911629	PINION	1	1	1
57	1K-7890	1911631	WASHER, Pinion Cup Retainer Split	2	2	2
58	1K-7891	1911630	CUP, Pinion Stop	1	1	1
59	1K-7892	1883730	BUSHING	2	2	2
60	1K-7893	1918537	SCREW, Shift Lever Adjusting		1	1
61	1K-7894	134551	NUT, Shift Lever Adjusting	2	1	1
62	1K-7895	112726	COTTER PIN, Lever Attaching - Upper		1	1
63	1K-7896	1916387	WICK, Center Bearing	1	1	1
64	1K-7897	1916386	RING, Wick Retainer	1	1	1
65	1K-7898	1916389	BUSHING, Center Bearing	1	1	1



WATER PUMP



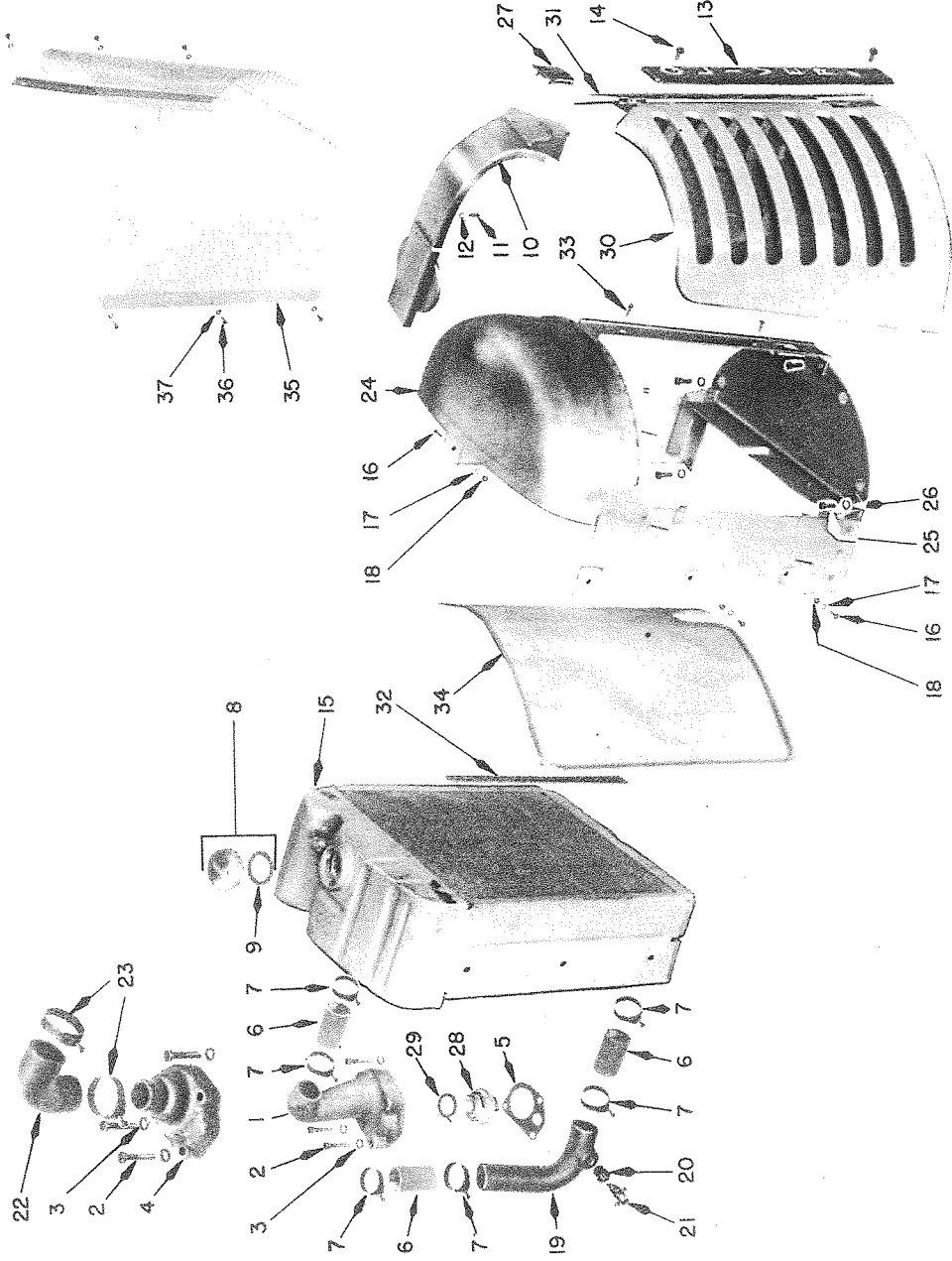
Ref. No.	Part Number	Description	No. Req.	Row Crop Serial Number	Standard Serial Number	Inch Serial Number
1	1M-350	BODY, Water Pump (Up to Engine Serial Number 936000 Inclusive)	1			
1	1M-350-A	BODY, Water Pump (Engine Serial Number 936001-)	1			
2	1M-350	PUMP Assembly, Water (Less Pulley) (Up to Engine Serial Number 936000 Inclusive)	1			
3		908337 Cap Screw, 3/8 - 16 x 2-1/4 Hex Hd	4			
3		920083 Lock Washer, 3/8	4			
2	1M-350-A	PUMP Assembly, Water (Less Pulley) (Engine Serial Number 936001-)	1			
3		908337 Cap Screw, 3/8 - 16 x 2-1/4 Hex Hd	4			
3		920083 Lock Washer, 3/8	4			
4	1K-351	IMPELLER, Water Pump	1	320001-	269001-	403001-
5	1H-354	GASKET, Water Pump Body (Up to Engine Serial Number 936000 Inclusive)	1			
5	1M-354	GASKET, Water Pump Body (Engine Serial Number 936001-)	1			

## WATER PUMP

Ref. No.	Part Number	Description	No. Req.	Row Crop Serial Number	Standard Serial Number	Industrial Serial Number
6	IKS-358-B	SEAL Assembly, Water Pump	1	320001-	269001-	403001-
7	IH-360	SLINGER, Water Pump	1	320001-	269001-	403001-
8	IHS-365-A	SHAFT With Bearing, Water Pump (Order IKS-A-365-A)	1	320001-	269001-	403001-
9	IKSA-365-A	SHAFT (IHS-365-A) With Hub (IK-380) and Slinger (IH-360), Water Pump	1	320001-	269001-	403001-
9	IK-369	PULLEY, Water Pump (Used on Orchard only after Serial Number 6502)	1	320001-6502	269001-6502	403001-6502
9	IKS-369-A	PULLEY Assembly, Fan	1	6503-	6503-	6503-
10	IM-372	BELT, Fan (Used on Orchard only after Serial Number 6502)	1	320001-6502	269001-6502	403001-6502
10	IM-372-A	BELT, Fan	1	6503-	6503-	6503-
11	IM-377	FAN, Air	1	320001-	269001-	403001-
12	IK-380	HUB, Fan Pulley	1	320001-	269001-	403001-
13		908315 Cap Screw, 5/16 - 18 x 3/4 Hex Hd	4			
14		920082 Lock Washer, 5/16	4			
15	IH-381	SNAP RING, Water Pump Shaft Retainer	1	320001-	269001-	403001-
16	IH-383	COVER, Water Pump (Order IMSR-383) (Has 2 Countersunk Holes) (Up to Engine Serial Number 936000 Inclusive)	1	320001-	269001-	403001-
17		908820 Screw, 1/4 - 20 x 5/8 Mach	2			
17		908300 Cap Screw, 1/4 - 20 x 5/8 Hex Hd	2			
18		920081 Lock Washer, 1/4	2			
16	IM-383	COVER, Water Pump (Has 4 Countersunk Holes) (Up to Engine Serial Number 936000 Inclusive)	1	320001-	269001-	403001-
17		908820 Screw, 1/4 - 20 x 5/8 Mach	4			
18		S-253 Lock Washer, 1/4 Shakeproof	2			
16	IMSR-383	COVER (IM-383) and Screws (2 908820) Package, Water Pump (Replaces IH-383)	1	320001-	269001-	403001-
16	IM-383-A	COVER, Water Pump (Engine Serial Number 936001-) 908820 Screw, 1/4 - 20 x 5/8 Mach	1			
17		S-253 Lock Washer, 1/4 Shakeproof	4			
18		GASKET, Water Pump Cover	2			
19	IH-384	GASKET, Water Pump Cover	1	320001-	269001-	403001-
20	IK-4256	PULLEY, Generator (Used on Orchard only after Serial Number 6502)	1	320001-6502	269001-6502	403001-6502



## RADIATOR AND CONNECTIONS



Ref. No.	Part Number	Description	No. Req.	Row Crop Serial Number	Standard Serial Number	Industrial Serial Number
1	1M-386	ELBOW, Engine Water Outlet - HC and Diesel 9 083 35 Cap Screw, 3/8 - 16 x 1-3/4 Hex Hd 92 0083 Lock Washer, 3/8	1 3 3	320001-351407	26 9001-27 3817	403001-403390
2						
3						
1	1M-386-A	ELBOW, Engine Water Outlet - KD 908335 Cap Screw, 3/8 - 16 x 1-3/4 Hex Hd 920083 Lock Washer, 3/8	1 3 3	320001- 351408*	269001- 273818*	403391-
2						
3						
4	1K-386-B	ELBOW, Engine Water Outlet 908335 Cap Screw, 3/8 - 16 x 1-3/4 Hex Hd 920083 Lock Washer, 3/8	1 3 3	320001- 320001-	269001- 269001-	403001- 403001-
5	1K-387	GASKET, Engine Water Outlet Elbow	1	320001-	269001-	403001-
6	1B-388	HOSE, Radiator (2 used on Tractors after Serial Number 351408, 273818 and 403391) S-2952 Clamp for 1-15/16 ID Hoses	3	320001-	269001-	403001-
7			6			
8	1B-507	CAP With Gasket (1B-508), Radiator Filler (HC only after Serial Number 6502)	1	320001-	269001-	403001-
8	119124	CAP, Radiator Pressure - Diesel	1	6503-	6503-	6503-

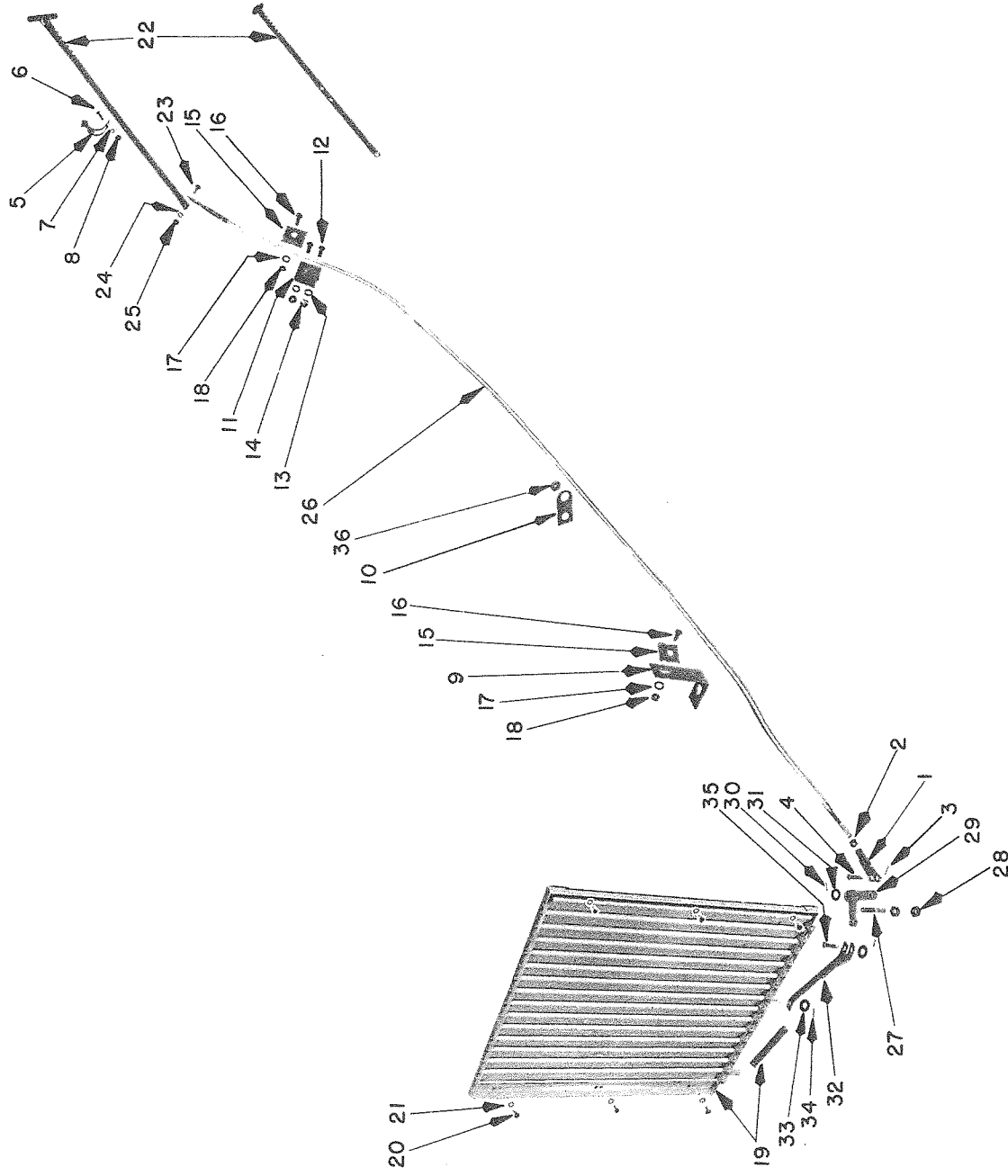
## RADIATOR AND CONNECTIONS

Ref. No.	Part Number	Description	No. Req.	Row Crop Serial Number	Standard Serial Number	Industrial Serial Number
9	1B-508	GASKET, Radiator Filler Cap (HC only after Serial Number 6502)	1	320001-	269001-	403001-
10	1MS-509	BAR, Radiator Top Center	1	320001-	269001-	403001-
11		909052 Screw, 1/4 - 20 x 1/2 Mach	1			
12		920122 Lock Washer, 1/4 Shakeproof	1			
13	1MS-512	BAR Outer Assembly, Radiator Shell Center	1	320001-	269001-	403001-
14		909056 Screw, 1/4 - 20 x 7/8 Mach	2			
15	1MS-513	RADIATOR Assembly - HC (8 Fins per inch)	1	320001-323149	269001-269940	403001-403010
16		909069 Screw, 5/16 - 18 x 5/8 Mach	6			
17		920123 Lock Washer, 5/16 External Tooth	6			
18		915112 Nut, 5/16 - 18 Hex	6			
15	1MS-513-A	RADIATOR Assembly - HC & Diesel (6 Fins per inch) (1MS-513-A will work)	1	323150-341033	269941-270328	403011-403137
16		909069 Screw, 5/16 - 18 x 5/8 Mach	6			
17		920123 Lock Washer, 5/16 External Tooth	6			
18		915112 Nut, 5/16 - 18 Hex	6			
15	1MAS-513-A	RADIATOR Assembly - HC & Diesel (7 Fins per inch)	1	323150-341033	270329-272880	403138-403185
16		(1MS-513-D with Clamp S-2944 will work)				
17		909069 Screw, 5/16 - 18 x 5/8 Mach	6			
18		920123 Lock Washer, 5/16 External Tooth	6			
15	1MS-513-B	RADIATOR Assembly - KD (8 Fins per inch)	1	323150-324057	269941-270338	
16		909069 Screw, 5/16 - 18 x 5/8 Mach	6			
17		920123 Lock Washer, 5/16 External Tooth	6			
18		915112 Nut, 5/16 - 18 Hex	6			
15	1MS-513-C	RADIATOR Assembly - KD (8 Fins per inch) (1MS-513-E with Clamp S-2944 will work)	1	324058-341033	270339-272880	
16		909069 Screw, 5/16 - 18 x 5/8 Mach	6			
17		920123 Lock Washer, 5/16 External Tooth	6			
18		915112 Nut, 5/16 - 18 Hex	6			
15	1MS-513-D	RADIATOR Assembly - HC (7 Fins per inch)	1	341034-6502	272881-6502	403186-6502
16		909069 Screw, 5/16 - 18 x 5/8 Mach	6			
17		920123 Lock Washer, 5/16 External Tooth	6			
18		915112 Nut, 5/16 - 18 Hex	6			
15	1MS-513-E	RADIATOR Assembly-KD & Diesel (8 Fins per inch)	1	341094-6502	272881-6502	403186-6502
16		909069 Screw, 5/16 - 18 x 5/8 Mach	6			
17		920123 Lock Washer, 5/16 External Tooth	6			
18		915112 Nut, 5/16 - 18 Hex	6			
15	1MS-513-G	RADIATOR Assembly - Diesel (8-1/2 or 9 Fins per inch)	1	6503-	6503-	6503-
16		909069 Screw, 5/16 - 18 x 5/8 Mach	6			
17		920123 Lock Washer, 5/16 External Tooth	6			
18		915112 Nut, 5/16 - 18 Hex	6			
15	1MSR-513-G	RADIATOR Package, Field Change-Over - Diesel (For chronic cooling trouble)	1	320001-6502	269001-6502	403001-6502
16		909069 Screw, 5/16 - 18 x 5/8 Mach	6			
17		920123 Lock Washer, 5/16 External Tooth	6			
18		915112 Nut, 5/16 - 18 Hex	6			
15	1MS-513-H	RADIATOR Assembly - HC (8 Fins per inch)	1	6503-	6503-	6503-
16		909069 Screw, 5/16 - 18 x 5/8 Mach	6			
17		920123 Lock Washer, 5/16 External Tooth	6			
18		915112 Nut, 5/16 - 18 Hex	6			
19	1K-516	PIPE, Engine Water Inlet	1	320001-6502	269001-6502	403001-6502
15	1MS-513-H	RADIATOR Assembly - HC (8 Fins per inch)	1	6503-	6503-	6503-
16		909069 Screw, 5/16 - 18 x 5/8 Mach	6			
17		920123 Lock Washer, 5/16 External Tooth	6			
18		915112 Nut, 5/16 - 18 Hex	6			
19	1K-516	PIPE, Engine Water Inlet	1	320001-329221	269001-271410	403001-403185
20	1K-516-A	PIPE, Engine Water Inlet S-1884 Bushing, 3/8 x 1/4 P.T	1	3510275-	3510275-	3510275-
21	1KS-517	DRAIN Cock with Extension	1	329222-3510274	271411-3510274	403186-3510274
22	1M-518	HOSE, Water Outlet Elbow	1	320001-	269001-	403001-
23		S-2952 Clamp for 1-15/16 ID Hose	2	351408-	273818-	403391-

## RADIATOR AND CONNECTIONS

Ref. No.	Part Number	Description	No. Req.	Row Crop Serial Number	Standard Serial Number	Industrial Serial Number
24	1MS-519	SHELL, Radiator 908331 Cap Screw, 3/8 - 16 x 7/8 Hex Hd 920083 Lock Washer, 3/8	1	320001-	269001-	403001-
25			6			
26			6			
27	1M-523	EMBLEM, Radiator Shell	1	320001-	269001-	403001-
28	1J-525	THERMOSTAT - HC and Diesel	1	320001-	269001-	403001-
28	1J-525-A	THERMOSTAT - KD	1	320001-	269001-	403001-
29	1A-526	GASKET, Thermostat	1	320001-	269001-	403001-
30	1M-1280-A	GRILLE, Radiator - Right	1	320001-	269001-	403001-
30	1MS-1280-A	GRILLE Assembly - Right - Orchard	1			
31	1M-1280-B	GRILLE, Radiator - Left	1	320001-	269001-	403001-
31	1MS-1280-B	GRILLE Assembly - Left - Orchard	1			
32	1M-1282	CLAMP, Radiator Screen Center	1	320001-	269001-	408001-
33		908914 Screw, 1/4 - 28 x 1 Inch	2			
34	1MS-1290	SCREEN Assembly, Radiator	1	320001-	269001-	403001-
35	1MS-1290-A	SCREEN Assembly, Radiator Outer - Orchard	1			
36		S-763 Screw, No. 10 x 3/8 Shakeproof	6			
37		920120 Lock Washer, No. 10 External Tooth	6			

## RADIATOR SHUTTER



Ref. No.	Part Number	Description	No. Req.	Rew Crop Serial Number	Standard Serial Number	Industrial Set of Number
1	IH-273	END, Rod 915667 Nut, No. 10 - 32 Hex	1	320001-	269001-	403001-
2		932000 Cotter Pin, 1/16 x 1/2	1			
3		932120 Pin, 1/4 Rod End	1			
4			1			
5	1E-882-A	SPRING (Shutter Control Rod Ratchet) 908984 Screw, No. 6 - 32 x 1/2 Mach	1	320001-	269001-	403001-
6		920150 Lock Washer, No. 6 Internal Tooth	1			
7		915536 Nut, No. 6 - 32 Hex	1			
8			1			
	1K-1013-C	CLIP, Shutter Control - Front	1	320001-328010	269001-271410	403001-
	1K-1013-D	CLIP, Shutter Control - Rear 908313 Cap Screw, 5/16 - 18 x 1/2 Hex Hd	1	320001-328010	269001-271410	
		920082 Lock Washer, 5/16	1			
9	1K-1013-E	CLIP, Shutter Control Tube - Front	1	328011-	271411-	403001-
10	1K-1013-F	CLIP, Shutter Control Tube	1	328011-	271411-	403001-

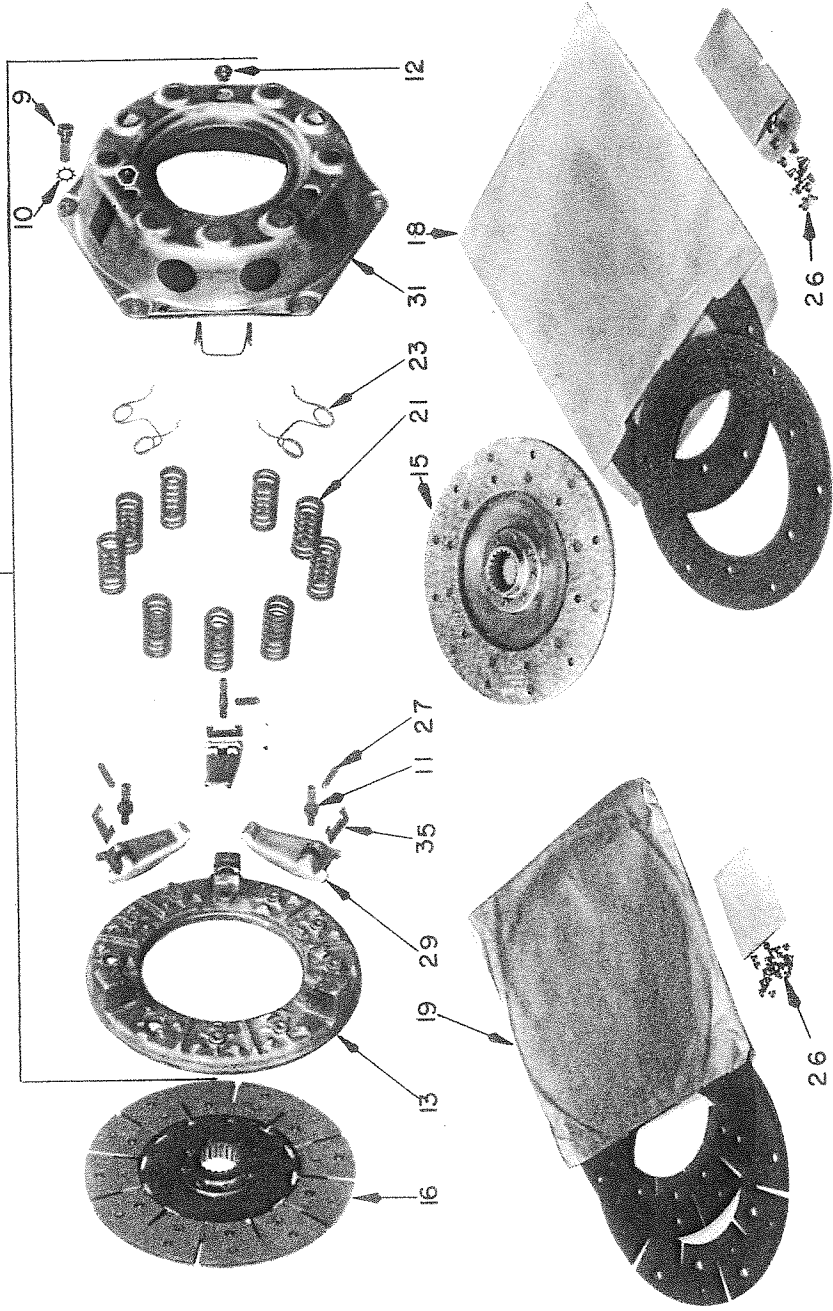
## RADIATOR SHUTTER

Ref. No.	Part Number	Description	No. Req.	Row Crop Serial Number	Standard Serial Number	Industrial Serial Number
11	1K-1014-E	BRACKET, Shutter Control Tube - Rear 909052 Screw, 1/4 - 20 x 1/2 Mach 920081 Lock Washer, 1/4 915111 Nut, 1/4 - 20 Hex	1	320001-	269001-	403001-
12			2			
13			2			
14			2			
15	1K-1014-J	CLAMP, Shutter Control Tube 909054 Screw, 1/4 - 20 x 5/8 Mach 920081 Lock Washer, 1/4 915111 Nut, 1/4 - 20 Hex	2	320001-	269001-	403001-
16			2			
17			2			
18			2			
19	1MS-1281	SHUTTER Assembly, Radiator S-763 Screw, No. 10 x 3/8 Self Tap 920120 Lock Washer, No. 10 External Tooth	1	320001-	269001-	403001-
20			6			
21			6			
22	1KS-1284	RATCHET Assembly, Shutter Control Rod 909019 Screw, No. 10 - 24 x 1/2 Mach 920079 Lock Washer, No. 10 915538 Nut, No. 10 - 24 Hex	1	320001-	269001-	403001-
23			1			
24			1			
25			1			
			1			
	1K-1285	PIN, Shutter Control Ratchet 932000 Cotter Pin, 1/16 x 1/2	1	320001-328010	269001-271410	
			1			
26	1MS-1286	CONTROL Assembly, Shutter	1	320001-	269001-	403001-
27	1K-1287	PIVOT, Shutter Control Bell Crank 915112 Nut, 5/16 - 18 Hex	1	320001-	269001-	403001-
28			2			
29	1K-1288	CRANK, Shutter Control Bell 932000 Cotter Pin, 1/16 x 1/2 920038 Washer, 5/16 Plain	1	320001-	269001-	403001-
30			1			
31			1			
32	1KS-1289	LINK Assembly, Shutter Control 920037 Washer, 1/4 Plain 932000 Cotter Pin, 1/16 x 1/2 932120 Pin, 1/4 Rod End	1	320001-	269001-	403001-
33			2			
34			2			
35			1			
	1K-1291	PIN, Shutter Control Link 932000 Cotter Pin, 1/16 x 1/2	1	320001-328010	269001-271410	
			1			
36	1B-7362-B	GROMMET, Rubber	1	320001-	269001-	403001-



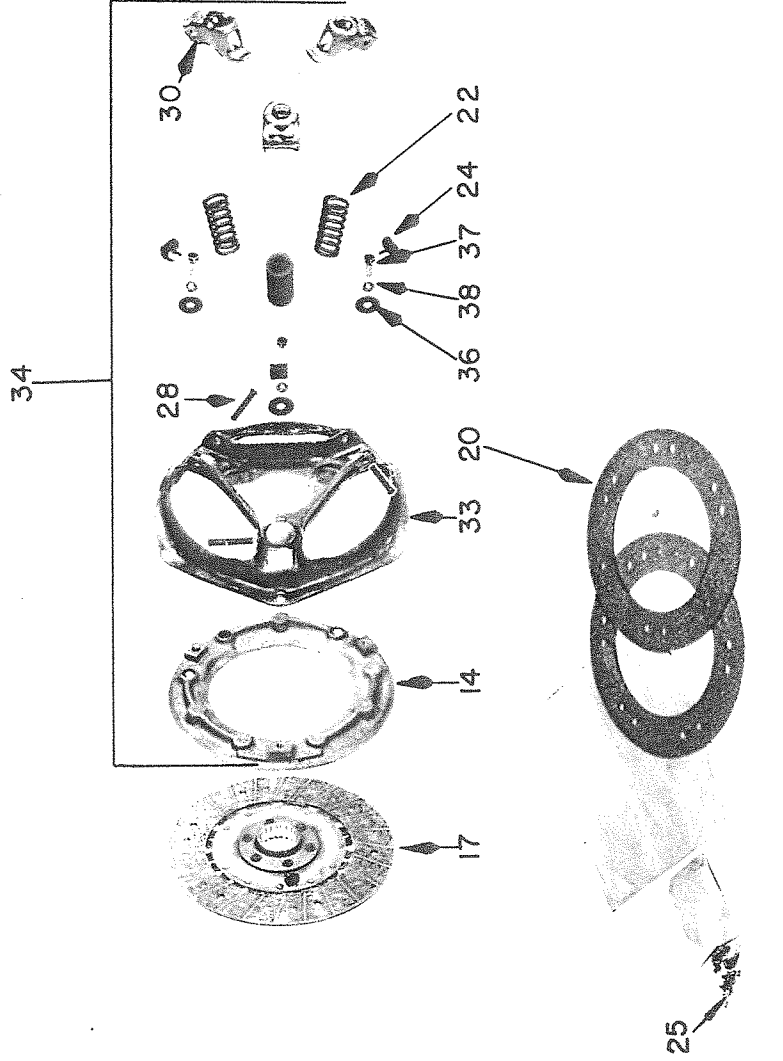
CLUTCH AND CLUTCH CONTROLS

32



Ref. No.	Part Number	Description	No. Req.	Row Crop Serial Number	Standard Serial Number	Industrial Serial Number
1	IK-132	BUSHING, Clutch Shaft Pilot	1	32000 I-3S 10333	26900 I-35 10333	40300 I-35 10333
2	1B-473-A	COVER, Flywheel Pointer 908314 Cap Screw, 5/16 - 18 x 5/8 Hex Hd 920082 Lock Washer, 5/16 915112 Nut, 5/16 - 18 Hex	1 1 1 1	12000 I-	26900 I-	40300 I-
3	IK-529	BRACKET, Grease Tube (Inside) (Optional Row and Standard for Industrial Clutch) 909039 Screw, No. 12 - 24 x 5/8 Mach 920080 Lock Washer, No. 12	1 2 2			40300 I-
9	1B-552	SCREW, Clutch Drive (5/16) 920155 Lock Washer, 5/16 Internal Tooth	6 6	32000 I-6502	26900 I-6502	
10	IK-552	SCREW, Clutch Drive (3/8) 920156 Lock Washer, 3/8 Internal Tooth	6 6	6503-	6503-	40300 I-
11	1B-553-A	EYEBOLT, Clutch (Order 1BS-553-A or 1BS-553-B)	3	32000 I-	26900 I-	40300 I-
	1BS-553-A	EYEBOLT (1B-553-A) and Nut (1B-554-A), Clutch	3	32000 I-	26900 I-	40300 I-
	1BS-553-B	EYEBOLT (1B-553-A) and Nut (1BR-554), Clutch	3	6503-	6503-	40300 I-
12	1BR-554	NUT, Clutch Eyebolt (Order 1BS-553-B)	3			40300 I-

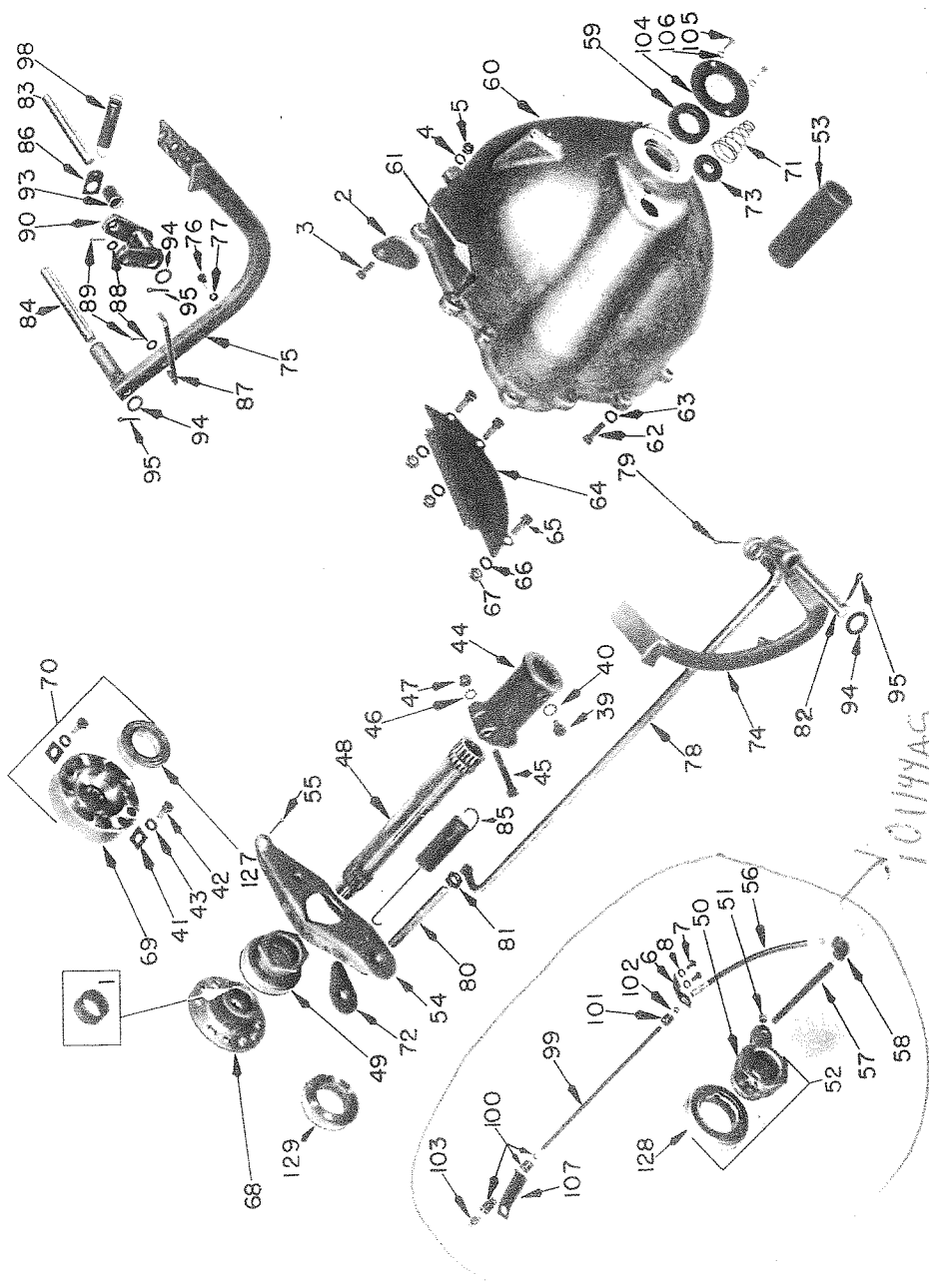
CLUTCH AND CLUTCH CONTROLS



Ref. No.	Part Number	Description	No. Req.	Row Crop Set cl Number	Standard Set cl Number	Industrial Set cl Number
12	1B-554-A	NUT, Clutch Eyebolt (Order 1ES-553-A)	3	320001-6502	269001-6502	
13	1B-555-A	PLATE, Clutch Pressure	1	320001-6502	269001-6502	
13	1KR-555	PLATE, Clutch Pressure	1	6503-	6503-	403001-
14	1M-555-A	PLATE, Clutch Pressure (Auburn) (Optional on Row Crop and Standard)	1	320001-6502	403001-6502	
15	1KS-556	PLATE With Facings, Clutch Driven	1			403001-403185
15	1KCS-556	PLATE With Facings, Clutch Driven	1	6503-	6503-	
15	1MS-556	PLATE With Facings, Clutch Driven	1	320001-6502	403001-6502	
15	1MS-556-A	PLATE With Facings, Clutch Driven	1			6503-
16	1KAS-556	PLATE With Facings, Clutch Driven	1			403186-6502

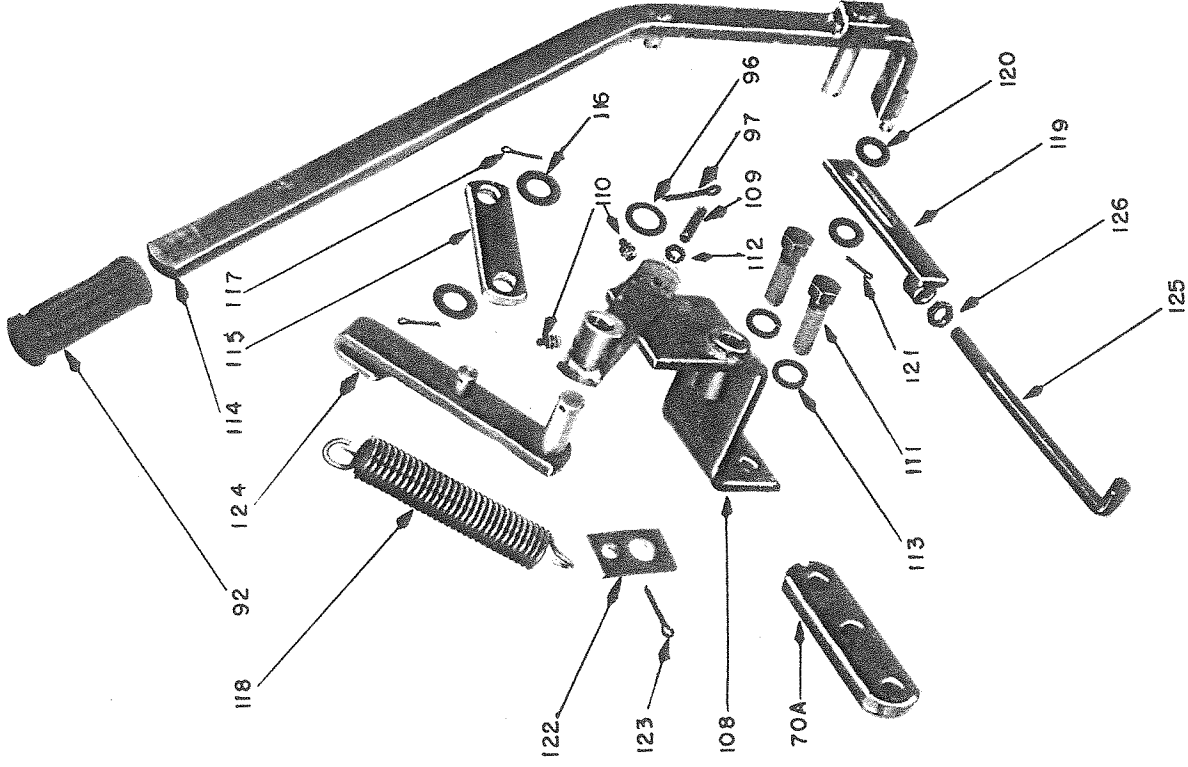


CLUTCH AND CLUTCH CONTROLS



Ref. No.	Part Number	Description	No. Req.	Row Crop Serial Number	Standard Serial Number	Industrial Serial Number
17	1MAS-556	PLATE With Facings, Clutch (Auburn) (Optional on Row Crop and Standard)	1	320001-6502	269001-6502	403001-403185
18	1KS-558-B	FACINGS Package, Clutch (2 Facings and Rivets)	1		6503-	
18	1KAS-558-B	FACINGS Package, Clutch (2 Facings and Rivets)	1	6503-	269001-6502	
18	1MS-558-B	FACINGS Package, Clutch (2 Facings and Rivets)	1	320001-6502		
18	1MAS-558-C	FACINGS Package, Clutch (2 Facings and Rivets)	1		6503-	
19	1MS-558-C	FACINGS Package, Clutch (2 Facings and Rivets)	1	320001-6502	269001-6502	403186-6502
20	1MS-558-D	FACINGS Package, Clutch (2 Facings and Rivets) (Auburn) (Optional on Row Crop and Standard)	1	320001-6502		
21	1E-559-A	SPRING, Clutch Thrust (Light Blue) (9 used in 1KS-569, 6 in 1KAS-569)	9	6503-	6503-	403001-
21	1L-559-A	SPRING, Clutch Thrust (Red)	6	351496-6502	274051-6502	
21	1M-559	SPRING, Clutch Thrust (Yellow) (9 used in 1MS-569, 3 in 1MBS-569)	9	320001-6502	269001-6502	
21	1M-559-A	SPRING, Clutch Thrust (Brown)	3	6503-	6503-	403186-
22	1M-559-C	SPRING, Clutch Pressure (Auburn) (Yellow Stripe) (Optional on Row Crop and Standard)	3	320001-6502	269001-6502	

## CLUTCH AND CLUTCH CONTROLS



Ref. No.	Part Number	Description	No. Req.	Row Crop Serial Number	Standard Serial Number	Industrial Serial Number
23	1B-560	SPRING, Clutch Anti-Rattle	3	32 000 1-	269001-	403001-
24	1K-560-A	CLIP, Lever Return (Auburn) (Optional on Row Crop and Standard)	3	32 000 1-6 502	26900 1-6502	
25	1B-562	RIVET, Clutch Facing (Auburn) (Optional on Row Crop and Standard)	24	32 000 1-6 502	26 900 1-6 502	
26	1K-562	RIVET, Clutch Facing	24	6503-	6503-	40300 1-403185 6503-
26	1K-562-A	RIVET, Clutch Facing	24			403186-6502
26	1M-562	RIVET, Clutch Facing	32	32 000 1-6 502	26900 1-6 502	

## CLUTCH AND CLUTCH CONTROLS

Ref. No.	Part Number	Description	No. Req.	Row Crop Serial Number	Standard Serial Number	Industrial Serial Number
27	1B-565	PIN, Clutch Release Lever	3	320001-	269001-	403001-
28	1M-565	PIN, Clutch Lever Pivot (Auburn) (Optional on Row Crop and Standard)	3	320001-6502	269001-6502	
29	1K-568	LEVER, Clutch Release	3	6503-	6503-	403001-
29	1M-568	LEVER, Clutch Release	3	320001-6502	269001-6502	
30	1M-568-A	LEVER, Clutch Release (Auburn) (Optional on Row Crop and Standard)	3	320001-6502	269001-6502	
31	1B-569-A	COVER, Clutch (Order 1MBS-569)	1	320001-	269001-	
31	1K-569	COVER, Clutch (Order 1KAS-569)	1	6503-	6503-	403001-
32	1KS-569	COVER Assembly, Clutch (Borg & Beck 992) (Order 1KAS-569)	1			403001-403185
32	1KAS-569	COVER Assembly, Clutch (Borg & Beck 1323)	1	6503-	6503-	403186-
32	1MS-569	COVER Assembly, Clutch (Borg & Beck 952) (Order 1MBS-569)	1	320001-351495	269001-274050	
32	1MBS-569	COVER Assembly, Clutch (Borg & Beck 1329)	1	351496-6502	274051-6502	
33	1M-569	COVER, Clutch (Auburn) (Order 1MAS-569) (Optional on Row Crop and Standard)	1	320001-6502	269001-6502	
34	1MAS-569	COVER Assembly, Clutch (Auburn 3395) (Optional on Row Crop and Standard)	1	320001-6502	269001-6502	
35	1B-570	STRUT, Clutch	3	320001-	269001-	403001-
36	1M-570	WASHER, Adjusting Screw (Auburn) (Optional on Row Crop and Standard)	3	320001-6502	269001-6502	
37	1M-571	SCREW, Lever Adjusting (Auburn) (Optional on Row Crop and Standard)	3	320001-6502	269001-6502	
38		915084 Nut, 5/16 - 24 Hex Jam	3			
39	1K-573	SET SCREW, Input Shaft Coupling 920156 Lock Washer, 3/8 Internal Tooth	1	320001-	269001-	403001-
40			1			
41	1K-574	RETAINER, Clutch Pilot Bearing 908314 Cap Screw, 5/16 - 18 x 5/8 Hex Hd 920082 Lock Washer, 5/16	2	3510334-	3510334-	3510334-
42			2			
43			2			
44	1K-576	COUPLING, Input Shaft (Order 1KA-576-A, 2 908486, 2 915002 and 2 920124)	1	320001-352437	269001-274050	403001-403515
45		908486 Cap Screw, 3/8 - 24 x 2-1/4 Hex Hd	1			
46		920124 Lock Washer, 3/8 External Tooth	1			
47		915002 Nut, 3/8 - 24 Hex	1			
44	1KA-576-A	COUPLING, Input Shaft 908386 Cap Screw, 3/8 - 24 x 2-1/4 Hex Hd 920124 Lock Washer, 3/8 External Tooth 915002 Nut, 3/8 - 24 Hex	1	352438-	274051-	403516-
45			2			
46			2			
47			2			
48	1K-579	SHAFT, Clutch	1	320001-3510333	269001-3510333	403001-3510333
48	1K-579-A	SHAFT, Clutch	1	3510334-	3510334-	3510334-
	1KSR-579-A	SHAFT And Ball Bearing Pilot Package, Clutch (Field Change-Over Package)	1	320001-3510333	269001-3510333	403001-3510333
	1K-584	SLEEVE, Clutch Release Bearing (Order 1KS-584)	1	320001-	269001-	

## CLUTCH AND CLUTCH CONTROLS

Ref. No.	Part Number	Description	No. Req.	Row Crop Setal Number	Standard Setal Number	Industrial Setal Number
49	IKS-584	SLEEVE (IK-584) With Bearing (IKS-5022), Clutch Release (Grease packed bearing)	1	320001-	269001-	403001-
50	IKS-584-A	SLEEVE, Clutch Release Bearing (Optional on Row Crop and Standard for Industrial Clutch) S-1921 Plug, 1/8 Std Hdless Slotted Pipe	1			403001-
51	IKSA-584-A	SLEEVE (IKS-584-A) With Bearing (IDS-5022), Clutch Release (Optional on Row Crop and Standard for Industrial Clutch)	1			403001-
53	IK-585	TUBE, Clutch Housing	1	320001-	269001-	403001-
54	IK-586	LEVER, Clutch Release	1	320001-	269001-	403001-
55		932025 Cotter Pin, 5/32 x 1	1			
56	IK-588	TUBE, Clutch Release Bearing Flexible (Optional on Row Crop and Standard for Industrial Clutch)	1			403001-
57	IK-588-A	PIPE, Clutch Release Bearing Grease (Optional on Row Crop and Standard for Industrial Clutch) S-1739 Elbow, 1/8 - 90° Mall	1			403001-
58		FELT, Clutch Housing Seal	1	320001-	269001-	403001-
59	IK-589	HOUSING, Clutch (Order IKS-590)	1	320001-	269001-	403001-
60	IK-590	HOUSING (IK-590) With Tube (IK-585), Clutch	1	320001-	269001-	403001-
61		908333 Cap Screw, 3/8 - 16 x 1-1/4 Hex Hd	2			
62		908332 Cap Screw, 3/8 - 16 x 1 Hex Hd	2			
63		920083 Lock Washer, 3/8	2			
60	IK-590-A	HOUSING, Clutch (Order IKS-590-A)	1			403001-
61	IKS-590-A	HOUSING (IK-590-A) With Tube (IK-585), Clutch (Optional on Row Crop and Standard for Industrial Clutch)	1			403001-
61		908333 Cap Screw, 3/8 - 16 x 1-1/4 Hex Hd	2			
62		908332 Cap Screw, 3/8 - 16 x 1 Hex Hd	2			
63		920083 Lock Washer, 3/8	2			
60	IK-590-B	HOUSING, Clutch - Diesel (Order IKS-590-B)	1	320001-	269001-	403001-
61	IKS-590-B	HOUSING (IK-590-B) With Tube (IK-585), Clutch - Diesel	1	320001-	269001-	403001-
61		908333 Cap Screw, 3/8 - 16 x 1-1/4 Hex Hd	2			
62		908332 Cap Screw, 3/8 - 16 x 1 Hex Hd	2			
63		920083 Lock Washer, 3/8	2			
60	IK-590-C	HOUSING, Clutch - Diesel (Order IKS-590-C)	1			403001-
61	IKS-590-C	HOUSING (IK-590-C) With Tube (IK-585), Clutch - Diesel (Optional on Row Crop And Standard for Industrial Clutch)	1			403001-
61		908333 Cap Screw, 3/8 - 16 x 1-1/4 Hex Hd	2			
62		908332 Cap Screw, 3/8 - 16 x 1 Hex Hd	2			
63		920083 Lock Washer, 3/8	2			
60	IK-592	SHIELD, Clutch Housing Dust	1	320001-	269001-	403001-
64		908329 Cap Screw, 3/8 - 16 x 5/8 Hex Hd	3			
65		920083 Lock Washer, 3/8	3			
66		915113 Nut, 3/8 - 16 Hex	3			
67		HUB, Power Take-Off Drive (Order IKS-633)	1	320001-3510333	269001-3510333	403001-3510333
68	IKS-633	HUB (IK-633) With Bushing (IK-132), Power Take-Off Drive	1	320001-3510333	269001-3510333	403001-3510333
69	IK-633-A	HUB, Power Take-Off Drive (Order IKS-633-A)	1	3510334-	3510334-	3510334-
70	IKS-633-A	HUB (IK-633-A) With Bearing (IKS-5010), Power Take-Off Drive	1	3510334-	3510334-	3510334-

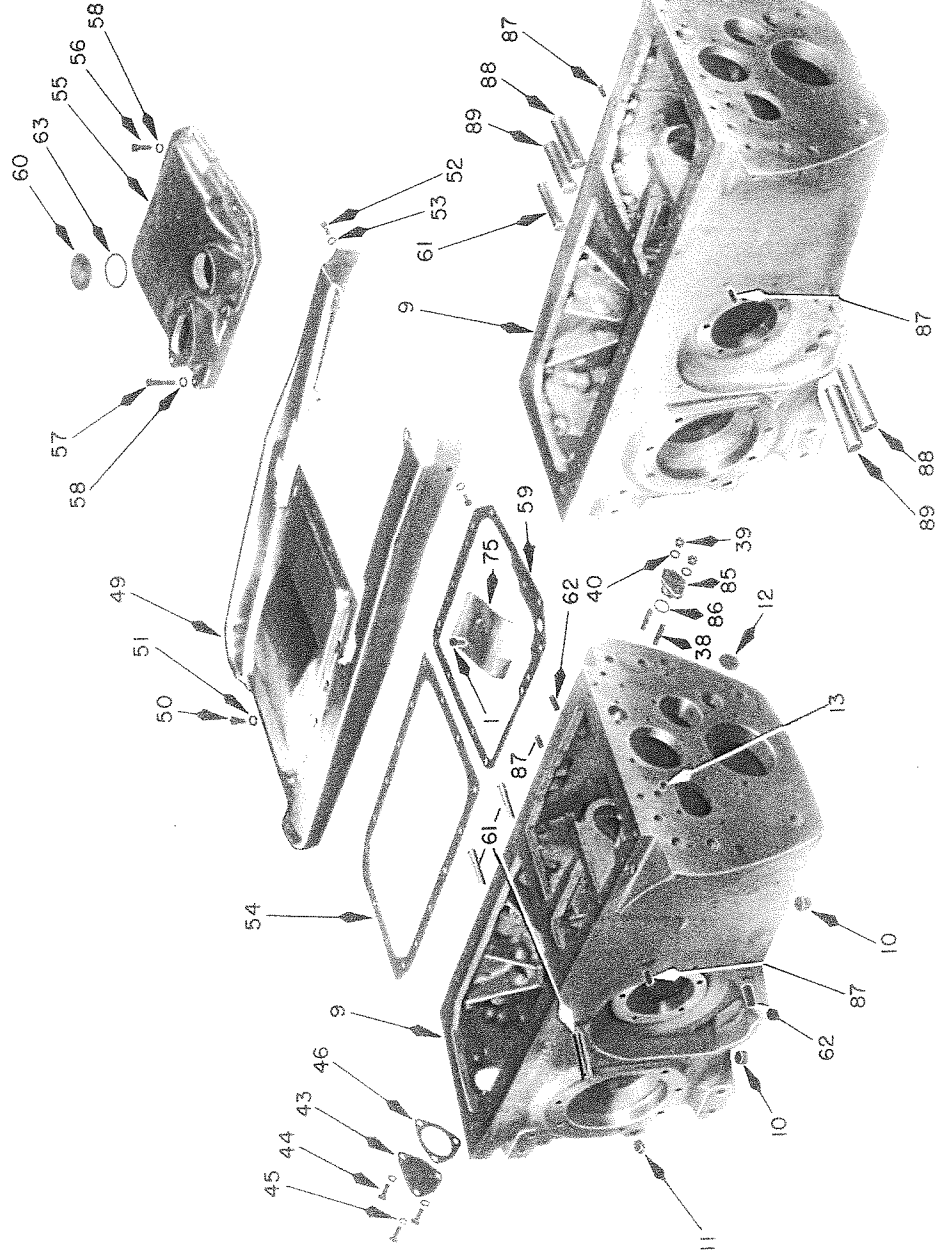
## CLUTCH AND CLUTCH CONTROLS

Ref. No.	Part Number	Description	No. Req.	Row Crop Serial Number	Standard Serial Number	Industrial Serial Number
70A	1B-794-B	BRACKET (Used as spacer on Orchard only)	1			
71	1K-894	SPRING, Clutch Release Rod	1	347904-	273375-	403291-
72	1K-897	SEAL, Clutch Rod	1	320001-347903	269001-273374	403001-403290
73	1K-897-A	SEAL, Clutch Release Rod	1	347904-	273375-	403291-
74	1K-898	PEDAL, Clutch	1	320001-347903	269001-273374	403001-403290
74	1K-898-A	PEDAL, Clutch	1	347904-	273375-	403291-
75	1MS-898	PEDAL Assembly, Clutch - Orchard (Tractor Serial Number 269001-273374)	1			
76		908482 Cap Screw, 3/8 - 24 x 1-1/4 Hex Hd	1			
77		915085 Nut, 3/8 - 24 Hex Jam	1			
75	1MS-898-A	PEDAL Assembly, Clutch - Orchard (Tractor Serial Number 273375-)	1			
76		908482 Cap Screw, 3/8 - 24 x 1-1/4 Hex Hd	1			
77		915085 Nut, 3/8 - 24 Hex Jam	1			
78	1KS-899	ROD, Clutch Release 932017 Cotter Pin, 1/8 x 1	1	320001-347903	269001-273374	403001-403290
79			1			
78	1KS-899-A	ROD, Clutch Release 932017 Cotter Pin, 1/8 x 1	1	347904-	273375-	403291-
79			1			
80	1K-900	END, Clutch Release Rod (Order 1K-900-A)	1	320001-347903	269001-273374	403001-403290
81		915087 Nut, 1/2 - 20 Hex Jam	1			
80	1K-900-A	END, Clutch Release Rod	1	347904-	273375-	403291-
81		915087 Nut, 1/2 - 20 Hex Jam	1			
82	1H-902	PIN, Clutch Pedal	1	320001-	269001-	403001-
83	1M-902	PIN, Clutch Bell Crank - Orchard	1			
84	1M-902-A	PIN, Clutch Pedal - Orchard (Tractor Serial Number 269001-273374)	1			
84	1M-902-B	PIN, Clutch Pedal - Orchard (Tractor Serial Number 273375-)	1			
85	1K-903	SPRING, Clutch Pedal	1	320001-	269001-	403001-
86	1A-904	CLIP, Clutch Pedal Spring - Orchard	1			
87	1M-906	LINK, Clutch Control - Orchard (Tractor Serial Number 269001-273374)	1			
88		920009 Washer, 3/8 Plain	2			
89		932008 Cotter Pin, 3/32 x 3/4	2			
87	1M-906-A	LINK, Clutch Control - Orchard (Tractor Serial Number 273375-)	1			
88		920009 Washer, 3/8 Plain	2			
89		932008 Cotter Pin, 3/32 x 3/4	2			
90	1MS-907	CRANK Assembly, Clutch Bell - Orchard (Tractor Serial Number 269001-273374)	1			
90	1MS-907-A	CRANK Assembly, Clutch Bell - Orchard (Tractor Serial Number 273375-)	1			
92	1K-919	GRIP, Clutch Hand Lever	1	320001-	269001-	403001-
93	1M-939	SPACER, Clutch Bell Crank - Orchard	1			
94	1B-940	WASHER, Pedal (2 used on Orchard) 932035 Cotter Pin, 3/16 x 1-1/4	1	320001-	269001-	403001-
95			1			
96	1B-940	WASHER, Control Spring Lever 932035 Cotter Pin, 3/16 x 1-1/4	1	320001-	269001-	403001-
97			1			

## CLUTCH AND CLUTCH CONTROLS

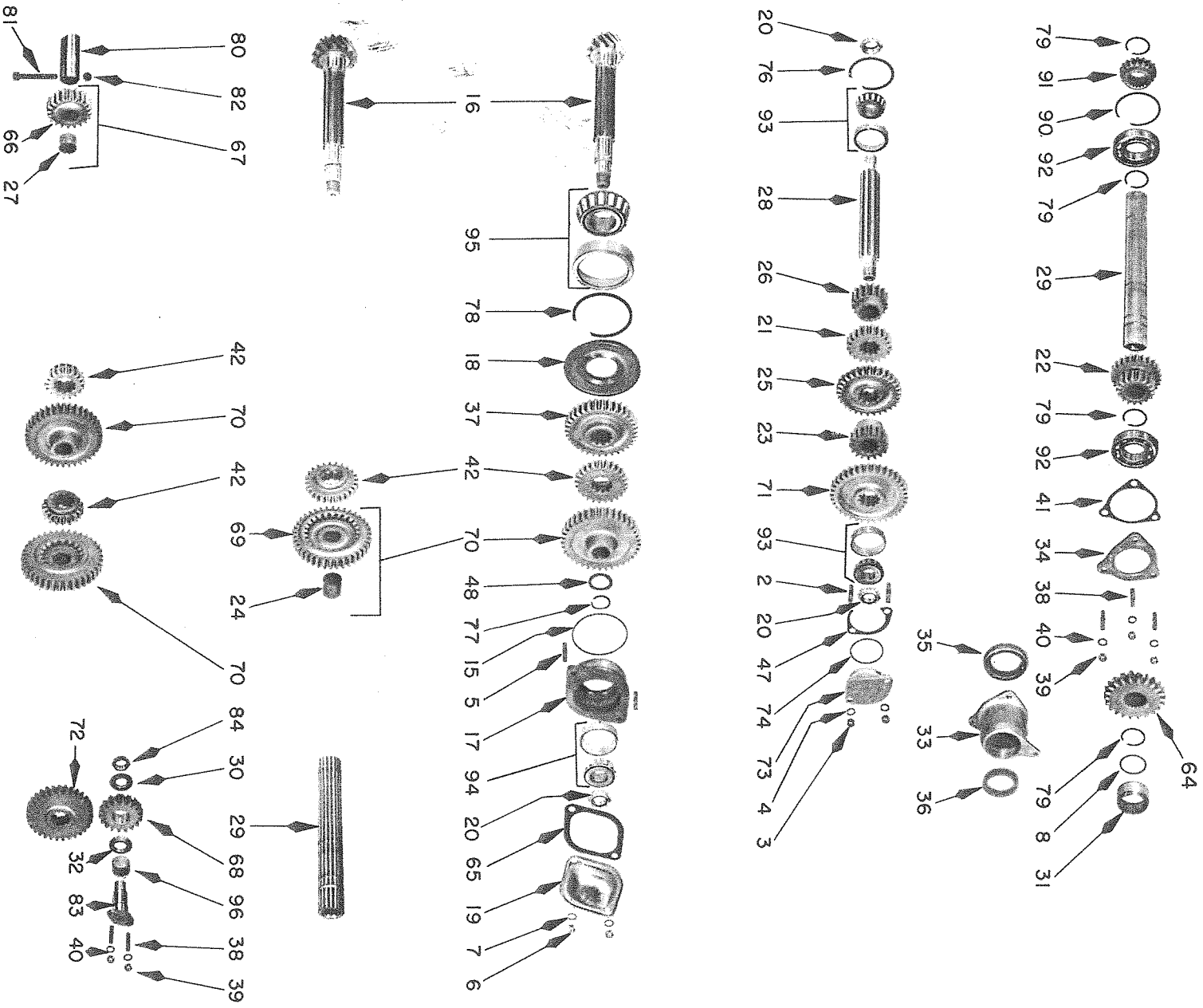
Ref. No.	Part Number	Description	No. Req.	Row Crop Serial Number	Standard Serial Number	Industrial Serial Number
98	1K-957	SPRING, Brake Pedal - Orchard	1			
99	1K-1020	TUBE, Clutch Release Bearing Grease (Optional on Row Crop and Standard for Industrial Clutch)	1			403001-
100		SS-1983 Fitting, 1/4 Tube x 1/8 PT Female	1			
101		S-1747 Nut, 1/4 Tube SAE Comp	1			
102		S-1748 Sleeve, 1/4 Tube SAE Comp	1			
103		93 9001 Fitting, 1/8 PT Alemite Hyd & Strt	1			
104	1K-1063	RETAINER, Clutch Housing Felt	1	320001-	269001-	403001-
105		909037 Screw, No. 12 - 24 x 7/16 Mach	2			
106		920080 Lock Washer, No. 12	2			
107	1K-1084	BRACKET, Grease Tube (Optional on Row Crop and Standard for Industrial Clutch)	1			403001-
108	1KS-1874	PLATE Assembly, Clutch Control Mounting	1	320001-	269001-	403001-
109		S-1170 Set Screw, 3/8 - 16 x 1-1/2 Oval Pt	1			
110		93 9001 Fitting, 1/8 PT Strt Grease	2			
111		908 386 Cap Screw, 5/8 - 11 x 2 Hex Hd	2			
112		915 236 Nut, 3/8 - 16 Hex Jam	1			
113		92 0087 Lock Washer, 5/8 - Orchard	2			
114	1KS-1878	LEVER Assembly, Clutch Control	1	320001-	269001-	403001-
115	1K-1883	LINK, Spring Lever	1	320001-	269001-	403001-
116		920013 Washer, 5/8 Plain	2			
117		932017 Cotter Pin, 1/8 x 1	2			
118	1K-1884	SPRING, Clutch Control	1	320001-	269001-	403001-
119	1KS-1885	BAR Assembly, Clutch Control Link	1	320001-	269001-	403001-
120		920011 Washer, 1/2 Plain	2			
121		93 2016 Cotter Pin, 1/8 x 3/4	1			
122	1K-1886	CLIP, Clutch Control Spring	1	320001-	269001-	403001-
123		93 2035 Cotter Pin, 3/16 x 1-1/4	1			
124	1KS-1887	LEVER Assembly, Clutch Control Spring	1	320001-	269001-	403001-
125	1M-1889	ROD, Clutch Control Link	1	320001-	269001-	403001-
126		915087 Nut, 1/2 - 20 Hex Jam	1			
		932016 Cotter Pin, 1/8 x 3/4	1			
127	1KS-5010	BEARING, Clutch Pilot Bd1 (New Depature 773 L07-LYIC)	1	3510334-	3510334-	3510334-
128	1DS-5022	BEARING, Clutch Release (Aetra A-893-31) (Optional on Row Crop and Standard for Industrial Clutch)	1			403001-
129	1KS-5022	BEARING, Clutch Release (Aetra A-2262)	1	320001-	269001-	

## TRANSMISSION, REAR FRAME AND PLATFORM



Ref. No.	Part Number	Description	No. Req.	Row Crop Serial Number	Standard Serial Number	Industrial Serial Number
1	1A-159	CAP SCREW, Transmission Countershaft Oil Baffle (3/8 x 3/4 Drilled Head) S-2880 Wire, No. 16 Ga Annealed - 4" Long	1	32000 I-	26900 I-	40300 I-
60	1CA-297	CAP, Transmission Filler (See 1K-824)	1	3508732-	3508732-	3508732-
63	1C-298	GASKET, Transmission Filler Cap (See 1K-999)	1	3508732-	3508732-	3508732-
2	1A-299	STUD, Countershaft Bearing Cover (3/8 x 1-5/8)	2	320001-32450	269001-271515	403001-403185
3		915002 Nut, 3/8 - 24 Hex	2			
4		920083 Lock Washer, 3/8	2			
2	1A-398	STUD, Countershaft Bearing Cover (3/8 x 1-1/2)	2	332451-	271516-	403186-
3		915002 Nut, 3/8 - 24 Hex	2			
4		920083 Lock Washer, 3/8	2			
5	1H-398	STUD, Bevel Pinion Shaft Bearing Cage (3/8 x 1-3/4)	2	320001-	26900 I-	40300 I-
6		915002 Nut, 3/8 - 24 Hex	2			
7		920083 Lock Washer, 3/8	2			
8	1K-577	SEAL, Transmission Input Shaft Oil	1	32000 I-	26900 I-	40300 I-
9	1M-596	FRAME, Rear Main (Order IMSR-596-H)	1	32000 I-325600	269001-270565	40300 I-403185

TRANSMISSION, REAR FRAME AND PLATFORM





## TRANSMISSION, REAR FRAME AND PLATFORM

Ref. No.	Part Number	Description	No. Req.	Row Crop Serial Number	Standard Serial Number	Industrial Serial Number
10	IMS-596	FRAME With Pivot Pins, Rear Main (Order IMSR-596-H)	1	320001-325600	269001-270565	403001-403185
11		S-1913 Plug, 3/4 Ctsk Hd Pipe	2			
12		S-1900 Plug, 1/2 Std Pipe	1			
13		935020 Plug, 1-3/8 Dia Welch Expansion	1			
		S-1922 Plug, 1/4 Std Hdless Slotted Std Pipe (S-1922 used on tractors without Belt Pulley)	1			
9	IM-596-A	FRAME, Rear Main (Order IMSR-596-H or IMSR-596-J)	1	325601-335280	270566-272151	403186-403290
	IMS-596-A	FRAME With Pivot Pins, Rear Main (Order IMSR-596-H) (Same hardware material as IMS-596)	1	325601-335280	270566-272151	
9	IM-596-B	FRAME, Rear Main (Order IMSR-596-H or IMSR-596-J)	1	335281-347903	272152-273374	
	IMS-596-B	FRAME With Pivot Pins, Rear Main - Orchard (Tractor Serial Number 269001-272785) (Order IMSR-596-J) (Same hardware material as IMS-596)	1	335281-347903	272152-273374	403186-403290
	IMS-596-C	FRAME With Pivot Pins, Rear Main (Order IMSR-596-H) (Same hardware material as IMS-596)	1	320001-347903	269001-273374	403001-403290
	IMSR-596-C	FRAME Repair Package, Rear Main (Order IMSR-596-H)	1	320001-347903	269001-273374	
	IMS-596-D	FRAME With Pivot Pins, Rear Main - Orchard (Tractor Serial Number 272786-273374) (Order IMSR-596-J) (Same hardware material as IMS-596)	1			
	IMSR-596-D	FRAME Repair Package, Rear Main - Orchard (Tractor Serial Number 269001-273374) (Order IMSR-596-J)	1			
9	IM-596-C	FRAME, Rear Main (Order IMAS-596-H or IMAS-596-J)	1	347904-3510385	273375-3510385	403291-3510385
	IMS-596-E	FRAME With Pivot Pins, Rear Main (Order IMAS-596-H) (Same hardware material as IMS-596)	1	347904-3510385	273375-3510385	403291-3510385
	IMS-596-F	FRAME With Pivot Pins, Rear Main - Orchard (Tractor Serial Number 273375-3510385) (Order IMAS-596-J) (Same hardware material as IMS-596)	1			
9	IM-596-D	FRAME, Rear Main (Order IMAS-596-H or IMAS-596-J)	1	3510386-4501737	3510386-4501737	3510386-4501737
	IMS-596-H	FRAME With Pivot Pins, Rear Main (Order IMAS-596-H) (Same hardware material as IMS-596)	1	3510386-4501737	3510386-4501737	3510386-4501737
	IMS-596-J	FRAME With Pivot Pins, Rear Main - Orchard (Tractor Serial Number 3510386-4501737) (Order IMAS-596-J) (Same hardware material as IMS-596)	1			
	IMAS-596-D	FRAME, Rear Main (Order IMAS-596-H or IMAS-596-J)	1	4501738-	4501738-	4501738-
	IMAS-596-H	FRAME With Pivot Pins, Rear Main (Same Hardware material as IMS-596)	1	4501738-	4501738-	4501738-
	IMSR-596-H	FRAME Repair Package, Rear Main	1	320001-	269001-	403001-
	IMAS-596-J	FRAME With Pivot Pins, Rear Main - Orchard (Tractor Serial Number 4501738-) (Same Hardware material as IMS-596)	1			

## TRANSMISSION, REAR FRAME AND PLATFORM

Ref. No.	Part Number	Description	No. Req.	Row Crop Ser'cl. Number	Standard Serial Number	Industrial Serial Number
	1MSR-596-J	FRAME Repair Package, Rear Main - Orchad (Tractor Ser'cl. Number 269001-)	1			
15	1M-600	SEAL, Bevel Pinion Shaft Bearing Cage	1	320001-	269001-	403001-
16	1M-602	PINION And Shaft, Bevel (12 Teeth)	1	320001-325700		403001-403185
	1MSR-602	SHAFT (1M-602) With Drive Gear (1M-644), Bevel Pinion (Matched Set) (12/50 Bevels)	1	320001-325700		403001-403185
16	1M-602-A	PINION And Shaft, Bevel (14 Teeth)	1		269001-270612	
	1MSR-602-A	SHAFT (1M-602-A) With Drive Gear (1M-644-A), Bevel Pinion (Matched Set) (14/48 Bevels)	1		269001-270612	
16	1M-602-B	PINION And Shaft, Bevel (11 Teeth)	1	325701-		403186-
	1MSR-602-B	SHAFT (1M-602-B) With Drive Gear (1M-644-B), Bevel Pinion (Matched Set) (11/50 Bevels)	1	325701-		403186-
16	1M-602-C	PINION And Shaft, Bevel (13 Teeth)	1		270613-	
	1MSR-602-C	SHAFT (1M-602-C) With Drive Gear (1M-644-C), Bevel Pinion (Matched Set) (13/48 Bevels)	1		270613-	
16	1M-602-D	PINION And Shaft, Bevel (9 Teeth) (Special Low Speed Row Crop and Industrial)	1	320001-		403001-
	1MSR-602-D	SHAFT (1M-602-D) With Drive Gear (1M-644-D), Bevel Pinion (Matched Set) (9/48 Bevels) (Special Low Speed Row Crop and Industrial)	1	320001-		403001-
17	1M-603	CAGE, Bevel Pinion Shaft Bearing	1	320001-	269001-	403001-
18	1MS-604	SHIELD, Bevel Pinion Shaft Rear Bearing	1	320001-	269001-	403001-
19	1K-505	COVER, Bevel Pinion Shaft Bearing Cage	1	320001-	269001-	403001-
20	1M-606	NUT, Countershaft and Bevel Pinion Shaft (1/4 - 14 Stop Nut)	3	320001-	269001-	403001-
21	1M-607	GEAR, Countershaft - 20 Teeth	1	320001-	269001-	403001-
22	1M-608	GEAR, Transmission Sliding (24 and 17 Teeth)	1	320001-	269001-	403001-
23	1M-609	GEAR, Countershaft (17 Teeth)	1	320001-	269001-	403001-
23	1M-609-A	GEAR, Countershaft (16 Teeth) (Special Low Speed Row Crop)	1	320001-		
24	1M-610	BUSHING, Bevel Pinion Shaft Idler Gear	1	320001-	269001-	403001-
25	1M-611	GEAR, Countershaft - (30 Teeth)	1	320001-	269001-	403001-
26	1M-612	PINION, Reverse (16 Teeth)	1	320001-	269001-	403001-
27	1K-614	BUSHING, Reverse Idler Gear	1	320001-	269001-	403001-
28	1M-615	COUNTERSHAFT	1	320001-	269001-	403001-
29	1K-616	SHAFT, Transmission Input (12" Long)	1	320001-6502	269001-272115	403001-403185
29	1K-616-A	SHAFT, Transmission Input (10-5/8" Long)	1	6503-	272116-	403186-
30	1M-617	WASHER, Multiple Reverse Idler Shaft	1	320001-6502		
31	1K-618	SPACER, Clutch Coupling	1	320001-	269001-	403001-
32	1M-618	COLLAR, Multiple Reverse Idler Shaft	1	320001-6502		
33	1K-619	RETAINER, Input Shaft Front Bearing (Order 1KS-619) (Tractors without Belt Pulley)	1	320001-	269001-	403001-

## TRANSMISSION, REAR FRAME AND PLATFORM

Ref. No.	Part Number	Description	No. Req.	Row Crop Ser'dl Number	Standard Ser'dl Number	Industrial Ser'dl Number
	IKS-619	RETAINER (IK-619) With Oil Seal (IK-620), Input Shaft Front Bearing (Tractors without Belt Pulley)	1	320001-	269001-	403001-
34	IK-619-A	RETAINER, Input Shaft Front Bearing (Tractors with Belt Pulley)	1	320001-	269001-	403001-
35	IK-620	OIL SEAL, Input Shaft Front Bearing	1	320001-	269001-	403001-
36	IK-620-A	WASHER, Input Shaft Front Bearing Felt	1	320001-	269001-	403001-
37	IM-621	GEAR, Transmission Sliding (34 Teeth)	1	320001-	269001-	403001-
38	IK-622	STUD, Input Shaft Front Bearing And Reverse Idler Shaft Bore Cover (3/8 x 1-7/16)	5	320001-	269001-	403001-
39		915002 Nut, 3/8 - 24 Hex	5			
40		920083 Lock Washer, 3/8	5			
41	IK-623	GASKET, Input Shaft Front Bearing Retainer	1	320001-	269001-	403001-
42	IM-624	GEAR, Transmission Sliding - (25 Teeth)	1	320001-	269001-	403001-
42	IM-624-A	GEAR, Transmission Sliding (18 Teeth)	1			
43	IK-634	COVER, Power Take-Off Opening	1	320001-	269001-	403001-
44		908330 Cap Screw, 3/8 - 16 x 3/4 Hex Hd	3			
45		920083 Lock Washer, 3/8	3			
46	IK-635	GASKET, Power Take-Off Opening Cover	1	320001-	269001-	403001-
47	IM-637	SHIM, Countershaft Bearing Cover (.007")	Req.	320001-	269001-	403001-
47	IM-638	SHIM, Countershaft Bearing Cover (.0149")	Req.	320001-	269001-	403001-
47	IM-639	SHIM, Countershaft Bearing Cover (.004")	Req.	320001-	269001-	403001-
48	IM-641	WASHER, Bevel Pinion Shaft	1	320001-	269001-	403001-
49	IM-661	COVER, Platform and Bull Gear	1	320001-	269001-	403001-
50		908330 Cap Screw, 3/8 - 16 x 3/4 Hex Hd	18			
51		920083 Lock Washer, 3/8	18			
52		908314 Cap Screw, 5/16 - 18 x 5/8 Hex Hd	4			
53		920082 Lock Washer, 5/16	4			
49	IMS-661-A	COVER Assembly, Platform and Bull Gear -Orchard S-3138 Cap Screw, 3/8 - 16 x 1-7/8 Hex Hd	1			
		908334 Cap Screw, 3/8 - 16 x 1-1/2 Hex Hd	2			
		908330 Cap Screw, 3/8 - 16 x 3/4 Hex Hd	14			
		920083 Lock Washer, 3/8	18			
		908314 Cap Screw, 5/16 - 18 x 5/8 Hex Hd	4			
		920082 Lock Washer, 5/16	4			
54	IM-662	GASKET, Bull Gear Cover	1	320001-	269001-	403001-
55	IK-681-A	COVER, Transmission Top	1	320001-3508731	269001-3508731	403001-3508731
56		908332 Cap Screw, 3/8 - 16 x 1 Hex Hd	8			
57		908335 Cap Screw, 3/8 - 16 x 1-3/4 Hex Hd	3			
58		920083 Lock Washer, 3/8	11			
55	IK-681-B	COVER, Transmission Top	1	3508732-	3507832-	3507832-
56		908332 Cap Screw, 3/8 - 16 x 1 Hex Hd	8			
57		908335 Cap Screw, 3/8 - 16 x 1-3/4 Hex Hd	3			
58		920083 Lock Washer, 3/8	11			
59	IK-682	GASKET, Transmission Top Cover	1	320001-	269001-	403001-
60	IK-824	CAP, Transmission Filler (See ICA-297)	1	320001-3508731	269001-3508731	403001-3508731
61	IH-902	PIN, Clutch and Brake Pedal	3	320001-	269001-	403001-
	IM-902	PIN, Clutch Bell Crank - Orchard	1			
	IM-902-A	PIN, Clutch Pedal - Orchard (Tractor Ser'dl Number 269001-273374)	1			

SECTION VII  
TRANSMISSION

## 77 PARTS BOOK

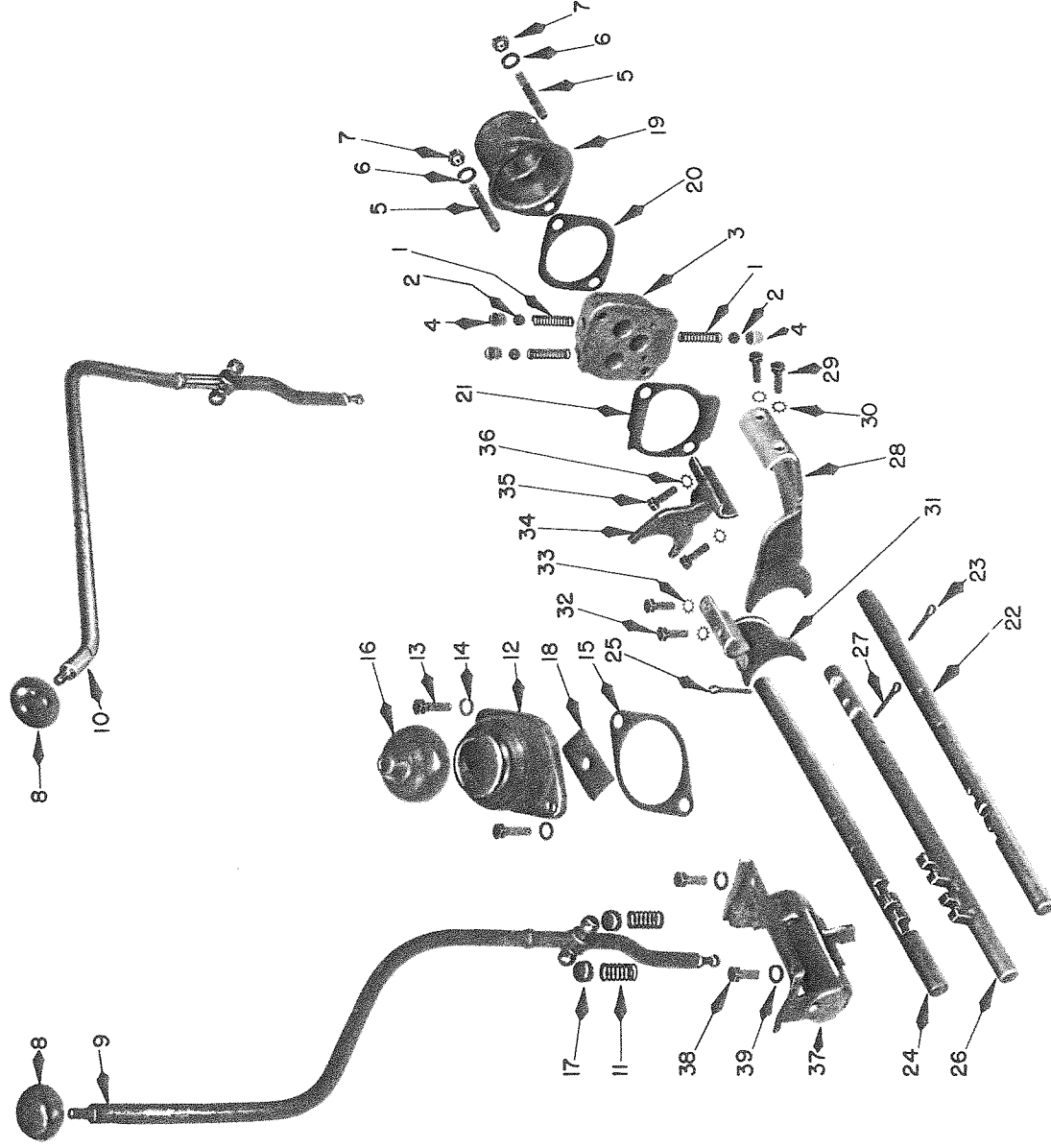
## TRANSMISSION, REAR FRAME AND PLATFORM

Ref. No.	Part Number	Description	No. Req.	Row Crop Ser'cl. Number	Standard Ser'cl. Number	Industrial Ser'cl. Number
	1M-902-B	PIN, Clutch Pedal - Orchard (Tractor Ser'cl. Number 273375-)	1			
62	1K-918	DOWEL, Brake Anchor Plate	2	320001-	269001-	403001-
	1K-966-A	PLUG, Brake Pedal Pivot Pin - Orchard	1			
63	1K-999	GASKET, Transmission Filler Cap (See IC-298)	1	320001-3508731	269001-3508731	403001-3508731
64	1K-1004	GEAR, Pulley Drive Stationary (22 Teeth)	1	320001-	wyoppq	403001-
65	1K-1011	GASKET, Bevel Pinion Shaft Bearing Cover	1	320001-	269001-	403001-
66	1M-1021	GEAR, Reverse Idler (20 Teeth) (Order IMS-1021)	1	320001-	269001-	403001-
67	IMS-1021	GEAR (1M-1021) With Bushing (1K-614), Reverse Idler	1	320001-	269001-	403001-
68	1M-1021-A	GEAR, Multiple Reverse Idler (24 Teeth)	1	320001-6502		
69	1M-1023	GEAR, Bevel Pinion Shaft Idler (Order IMS-1023) (38 External and 25 Internal Teeth)	1	320001-	269001-	
70	IMS-1023	GEAR (1M-1023) with Bushing (1M-610), Bevel Pinion Shaft Idler	1	320001-	269001-	
70	1M-1023-A	GEAR, Bevel Pinion Shaft Idler (Order IMS-1023-A) (38 External and 18 Internal Teeth)	1	320001-		403001-
70	IMS-1023-A	GEAR (1M-1023-A) With Bushing (1M-610), Bevel Pinion Shaft Idler	1			403001-
70	1M-1023-B	GEAR, Bevel Pinion Shaft Idler (Order IMS-1023-B) (39 External and 25 Internal Teeth) (Special Low Speed Row Crop)	1	320001-		
70	IMS-1023-B	GEAR (1M-1023-B) With Bushing (1M-610), Bevel Pinion Shaft Idler (Special Low Speed Row Crop)	1	320001-		
71	1M-1024	GEAR, Countershaft (37 Teeth)	1	320001-	269001-	403001-
72	1M-1024-A	GEAR, Multiple Reverse Countershaft (32 Teeth)	1	320001-6502		
73	1M-1029	COVER, Countershaft Bearing	1	320001-	269001-	403001-
74	1M-1030	SEAL, Countershaft Bearing Cover	1	320001-	269001-	403001-
75	1M-1033	BAFFLE, Transmission Countershaft Oil	1	320001-	269001-	403001-
76	1K-1071	SNAP RING, Countershaft Rear Bearing	1	320001-	269001-	403001-
77	1M-1072	SNAP RING, Bevel Pinion Shaft	1	320001-	269001-	403001-
78	1M-1073	SNAP RING, Bevel Pinion Rear Bearing	1	320001-	269001-	403001-
79	1K-1075	SNAP RING, Transmission Input Shaft (1 Additional used when Power Lift is Installed on Row Crop)	3	320001-	269001-	403001-
80	1K-1077	SHAFT, Reverse Idler	1	320001-	269001-	403001-
81		908487 Cap Screw, 3/8 - 24 x 2-1/2 Hex Hd	1			
82		915635 Nut, 3/8 - 24 Elastic Stop	1			
83	1M-1077-A	SHAFT, Multiple Reverse Idler	1	320001-6502		
84		915641 Nut, 7/8 - 14 Elastic Stop	1			
85	1M-1078	COVER, Reverse Idler Shaft Bore	1	320001-	269001-	403001-
86	1K-2027	SEAL, "0" Ring Packing (1/8 x 7/8)	1	320001-	269001-	403001-
87	1H-1122	PIN, Brake Pedal Latch Pivot	2	320001-	269001-	403001-
88	1K-1124	PIN, Brake Pedal Pivot	2	320001-325600	269001-270565	403001-403186

## TRANSMISSION, REAR FRAME AND PLATFORM

Ref. No.	Part Number	Description	No. Req.	Row Crop Serial Number	Standard Serial Number	Industrial Serial Number
89	IK-1124-A	PIN, Brake Band Anchor	2	32 0001-325600	269001-270565	403001-403186
90	IA-1206	SNAP RING, Input Shaft Rear Bearing	1	320001-	269001-	403001-
91	IK-1542	PINION, Power Lift Drive (18 Teeth) (On tractors only when Power Lift is installed)	1	320001-		
86	IK-2027	SEAL, 1/16" Ring Packing (1/8 x 7/8)	1	320001-	269001-	403001-
92	ICS-5003-A	BEARING, Transmission Input Shaft Ball (SKF 6208)	2	320001-6502	269001-6502	403001-6502
92	IKS-5003	BEARING, Transmission Input Shaft Ball (New Departure 1208)	2	6503-	6503-	6503-
93	IHS-5004	BEARING, Countershaft Roller (Timken 15101-15250)	2	320001-	269001-	403001-
94	IMS-5004	BEARING, Bevel Pinion Shaft Roller - Front (Timken 2578-2523)	1	320001-	269001-	403001-
95	IMS-5005	BEARING, Bevel Pinion Shaft Roller - Rear (Timken 59175-59413)	1	320001-	269001-	403001-
95	IMS-5007	BEARING, Multiple Reverse Idler Needle (Torrington B-1616-X)	1	320001-6502		

## TRANSMISSION GEAR SHIFT

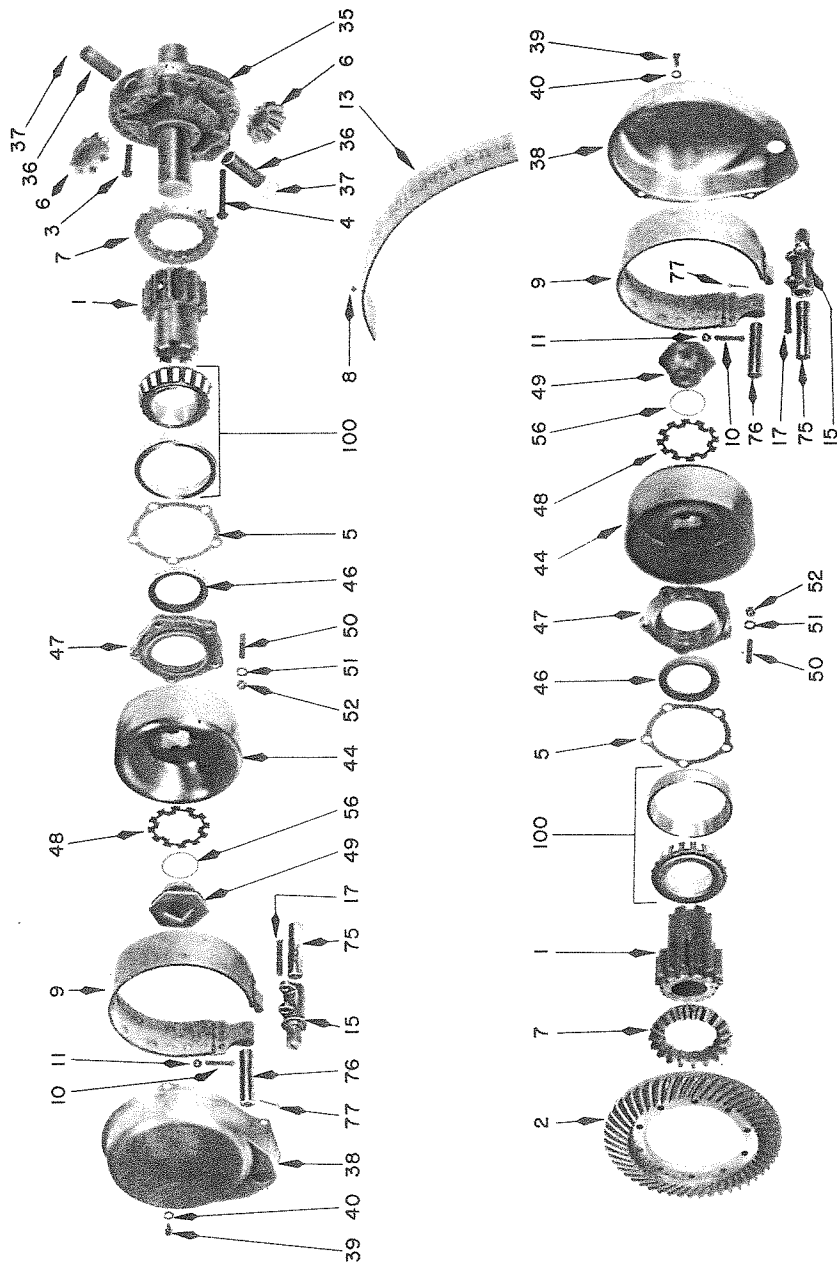


Ref. No.	Part Number	Description	No. Req.	Row Crop Serial Number	Standard Serial Number	Industrial Serial Number
1	1H-628	SPRING, Gear Shifter Poppet	3	320001-	269001-	403001-
2	1K-629	S-2328 Ball, 7/16 Dia Hardened Steel	3	320001-	269001-	403001-
3	1K-629	BLOCK, Shifter Poppet	1	320001-	269001-	403001-
4	1K-629	S-1922 Plug, 1/4 Hdless Slotted Pipe	3	320001-	269001-	403001-
5	1K-632	STUD, Shifter Poppet Block (3/8 x 2-1/16)	2	320001-	269001-	403001-
6	1K-632	920083 Lock Washer, 3/8	2	320001-	269001-	403001-
7	1K-632	915002 Nut, 3/8 - 24 Hex	2	320001-	269001-	403001-
8	1B-909-A	KNOB, Gear Shift Lever	1	320001-	269001-	403001-
9	1KS-910	LEVER, Gear Shift	1	320001-	269001-	403001-
10	1MS-910	LEVER ASSEMBLY, Gear Shift - Orchard	1	320001-	269001-	403001-
11	1H-912-A	SPRING, Gear Shift Lever	2	320001-	269001-	403001-

## TRANSMISSION GEAR SHIFT

Ref. No.	Part Number	Description	No. Req.	Row Crop Serial Number	Standard Serial Number	Industrial Serial Number
12	1K-914	SOCKET, Gear Shift Lever	1	320001-	269001-	403001-
13		908333 Cap Screw, 3/8 - 16 x 1-1/4 Hex Hd	2			
14		920083 Lock Washer, 3/8	2			
15	1K-915	GASKET, Gear Shift Lever Socket	1	320001-	269001-	403001-
16	1BA-916-A	CAP, Gear Shift Lever Socket	1	320001-	269001-	403001-
17	1H-918	SEAT, Gear Shift Lever Spring	2	320001-	269001-	403001-
18	1H-923	BAFFLE, Shifter Socket Oil	1	320001-	269001-	403001-
19	1K-1601	COVER, Shifter Rod End	1	320001-	269001-	403001-
20	1K-1602	GASKET, Shifter Rod End Cover	1	320001-	269001-	403001-
21	1K-1604	GASKET, Shifter Poppet Block	1	320001-	269001-	403001-
22	1M-1622	ROD, Right Shifter	1	320001-	269001-	403001-
23		932034 Cotter Pin, 3/16 x 1	1			
24	1M-1624	ROD, Left Shifter	1	320001-	269001-	403001-
25		932034 Cotter Pin, 3/16 x 1	1			
26	1MAS-1627	ROD, Center Shifter	1	320001-	269001-	403001-
27		932034 Cotter Pin, 3/16 x 1	1			
28	1M-1629	FORK, Right Shifter	1	320001-	269001-	403001-
29		908465 Cap Screw, 5/16 - 24 x 7/8 Hex Hd	2			
30		920155 Lock Washer, 5/16 Internal Tooth	2			
31	1M-1630	FORK, Left Shifter	1	320001-	269001-	403001-
32		908465 Cap Screw, 5/16 - 24 x 7/8 Hex Hd	2			
33		920155 Lock Washer, 5/16 Internal Tooth	2			
34	1K-1631	FORK, Center Shifter	1	320001-	269001-	403001-
35		908465 Cap Screw, 5/16 - 24 x 7/8 Hex Hd	2			
36		920155 Lock Washer, 5/16 Internal Tooth	2			
37	1KS-1634-A	YOKE, Interlock	1	320001-	269001-	403001-
38		908331 Cap Screw, 3/8 - 16 x 7/8 Hex Hd	2			
39		920156 Lock Washer, 3/8 Internal Tooth	2			

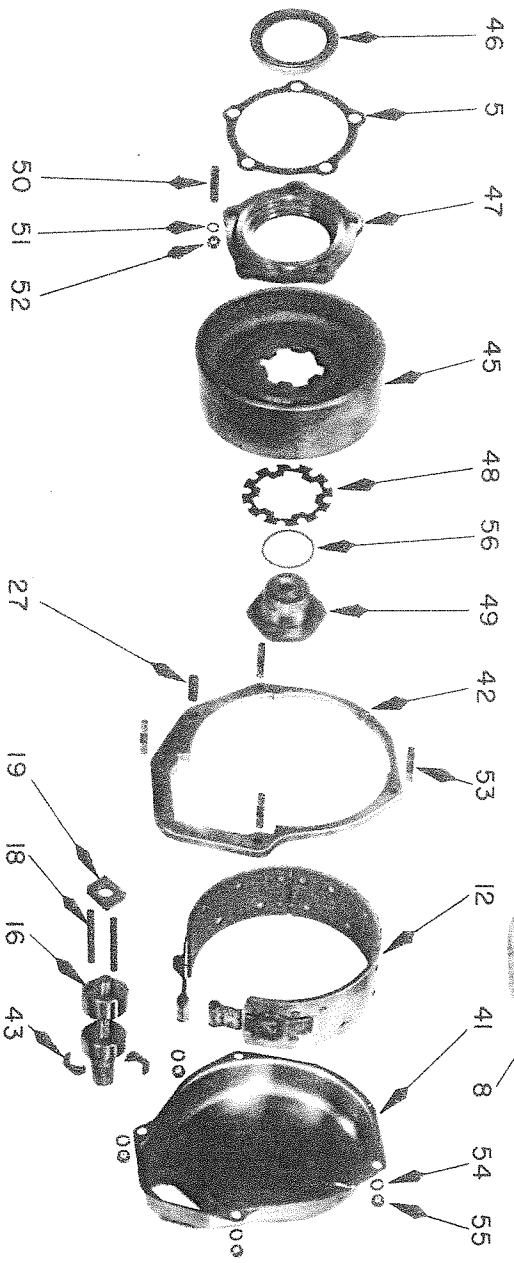
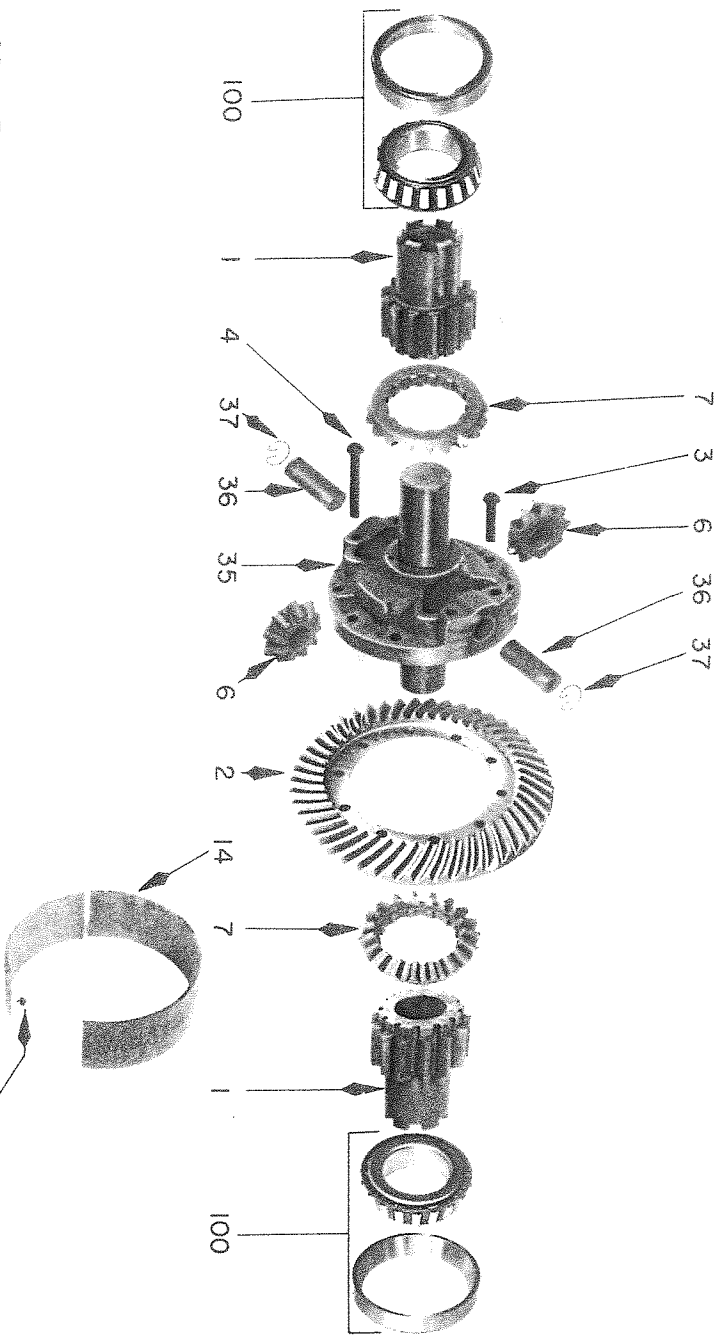
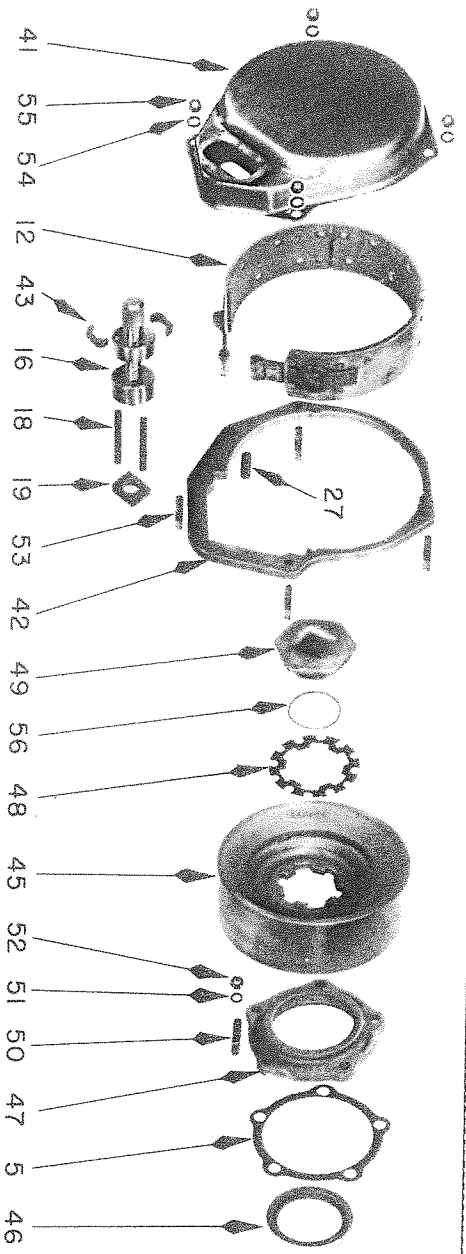
## DIFFERENTIAL, BRAKE (BAND TYPE) AND BRAKE CONTROLS



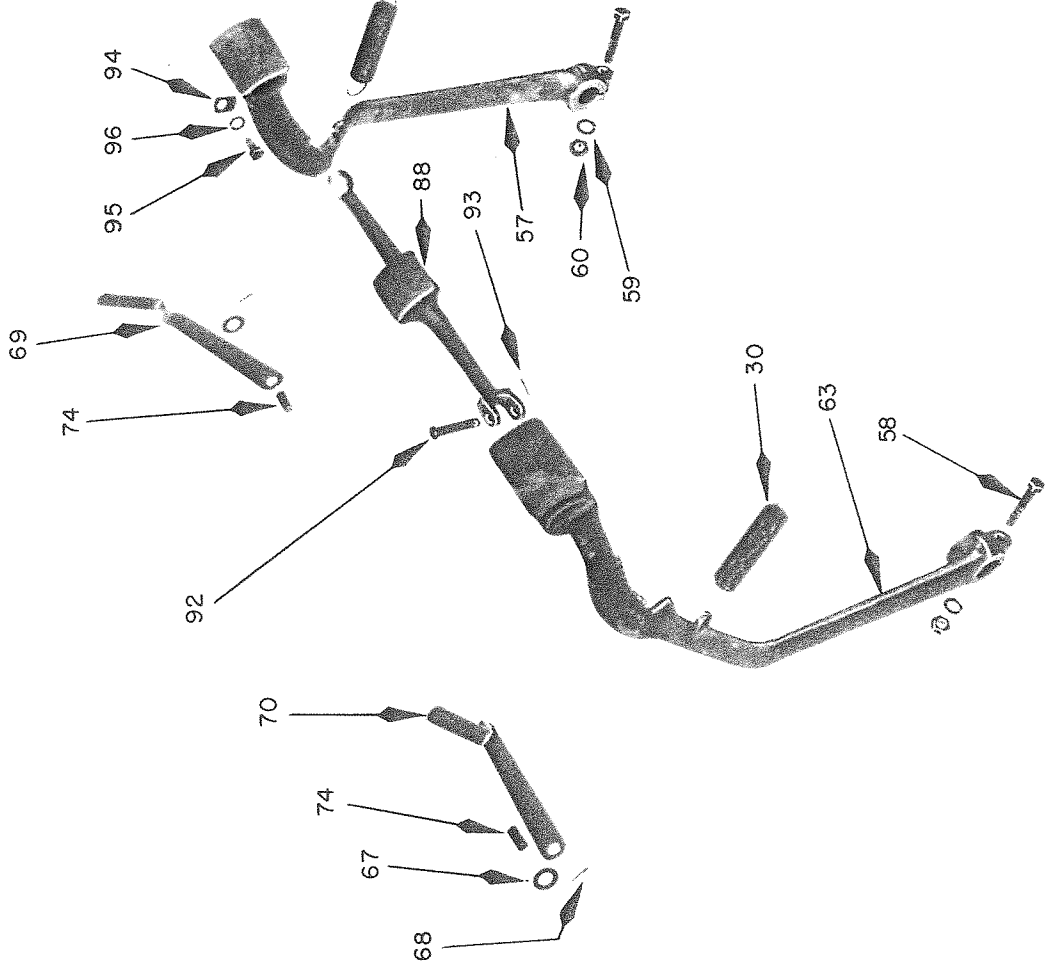
Ref. No.	Part Number	Description	No. Req.	Row Crop Serial Number	Standard Serial Number	Industrial Serial Number
1	1M-643	PINION, Differential Bull	2	32000 1-347903	269001-273374	403001-403290
2	1M-644	GEAR, Bevel Drive - (50 Teeth) (See 1MSR-602)	1	320001-325700		403001-403185
3		S-632 Rivet, 7/16 x 1-7/8 Button Hd	6			
4		S-672 Rivet, 7/16 x 3-1/8 Button Hd	4			
2	1M-644-A	GEAR, Bevel Drive (48 Teeth) (See 1MSR-602-A)	1		26900 1-2706 12	
3		S-677 Rivet, 7/16 x 2-1/4 Button Hd	6			
4		S-678 Rivet, 7/16 x 3-1/2 Button Hd	4			
2	1M-644-B	GEAR, Bevel Drive (50 Teeth) (See 1MSR-602-B)	1	325701-347903		403186-403290
3		S-669 Rivet, 7/16 x 1-3/4	6			
4		S-689 Rivet, 7/16 x 3 Button Hd	4		2706 13-273374	
2	1M-644-C	GEAR, Bevel Drive (48 Teeth) (See 1MSR-602-C)	1			403001-403290
3		923 151 Rivet, 7/16 x 2 Button Hd	6			
4		S-690 Rivet, 7/16 x 3-1/4 Button Hd	4			
2	1M-644-D	GEAR, Bevel Drive (48 Teeth) (See 1MSR-602-D) (Special Low Speed Row Crop and Industrial)	1	32000 1-347903		403001-403290
3		S-669 Rivet, 7/16 x 1-3/4 Button Hd	6			
4		S-689 Rivet, 7/16 x 3 Button Hd	4			
5	1M-650	SHIM, Differential Bearing Cover (.007")	Req.	320001-347903	269001-273374	403001-403290
5	1M-651	SHIM, Differential Bearing Cover (.0149")	Req.	320001-347903	269001-273374	403001-403290
5	1M-652	SHIM, Differential Bearing Cover (.004")	Req.	320001-347903	269001-273374	403001-403290
6	1M-654	PINION, Differential (9 Teeth)	2	320001-347903	26900 1-273374	403001-403290



DIFFERENTIAL, BRAKE (BAND TYPE) AND BRAKE CONTROLS

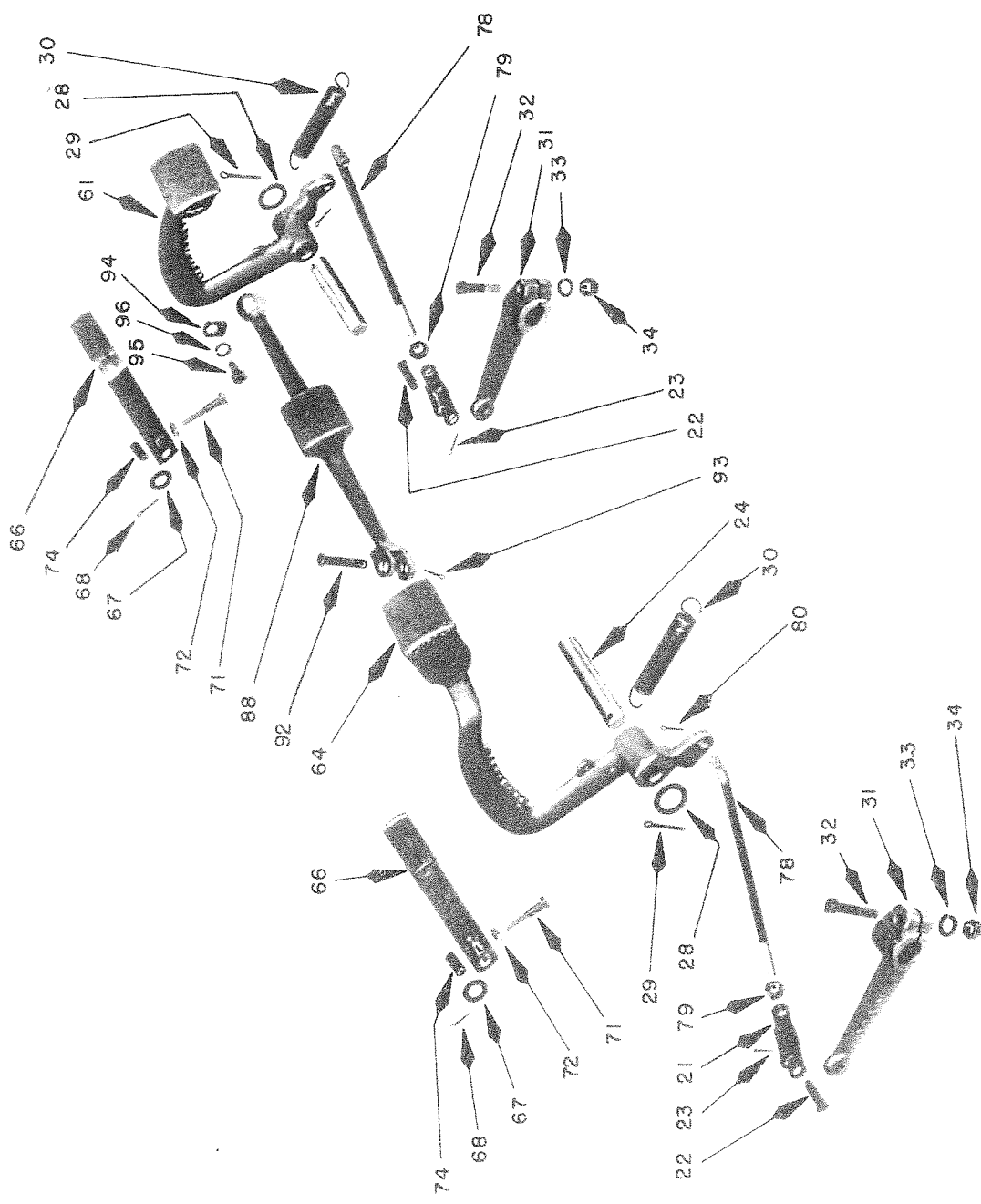


DIFFERENTIAL, BRAKE (BAND TYPE) AND BRAKE CONTROLS



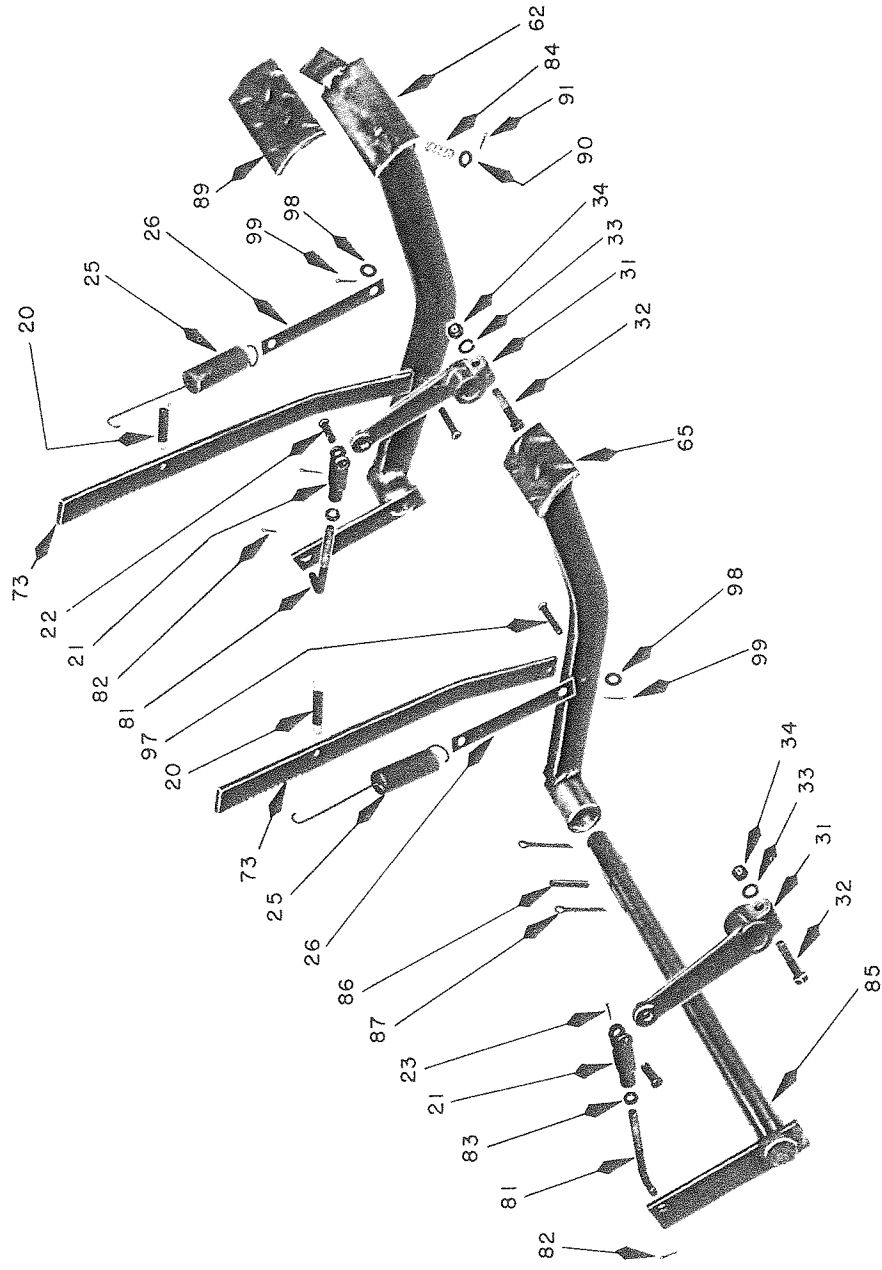
Ref. No.	Part Number	Description	No. Req.	Row Crop Serial Number	Standard Serial Number	Industrial Serial Number
7	1M-655	GEAR, Differential (19 Teeth)	2	320001-347903	269001-273374	403001-403290
8	1K-771	RIVET, Brake Lining	50	320001-347903	269001-273374	403001-403290
9	1MS-774	BAND With Lining, Brake	2	320001-325600	269001-270565	403001-403185
10		909661 Set Screw, 3/8 - 16 x 2	2			
11		915113 Nut, 3/8 - 16 Hex	2			
12	1MS-774-A	BAND With Lining, Brake (Order 1MSR-774-C)	2	325601-332450	270566-271709	
12	1MS-774-B	BAND With Lining, Brake - Bonded (Order 1MSR-774-C)	2	332451-334717	271709-272115	

## DIFFERENTIAL, BRAKE (BAND TYPE) AND BRAKE CONTROLS



Ref. No.	Part Number	Description	No. Req.	Row Crop Serial Number	Standard Serial Number	Industrial Serial Number
12	IMS-774-C	BAND With Lining, Brake (Order IMSR-774-C)	2	334718-335280		
	IMSR-774-C	BAND Assembly, Brake	2	335281-337243	272116-272465	
12	IMS-774-D	BAND With Lining, Brake (Order IMS-774-E)	2	337244-344801	272466-273123	403186-403240
12	IMAS-774-D	BAND With Lining, Brake (Order IMS-774-E)	2	344802-347903	273124-273374	403241-403290
12	IMS-774-E	BAND With Lining, Brake	2	325601-335280	270566-272115	
	IMSA-774-D	BRAKE Change-Over Package, Differential (For tractors in field having IM-596-A Frames)	1	320001-325600	269001-270565	403001-403185
	IMSR-774-D	BRAKE Change-Over Package, Differential (For tractors in field having IM-596 Frames)	1	320001-325600	269001-270565	403001-403185
	IMSA-774-D	BRAKE Change-Over Package, Differential (For tractors in field having IM-596 Frames which have been changed over with Package IMSR-774-A)	1	320001-325600	269001-270565	403001-403185

## DIFFERENTIAL, BRAKE (BAND TYPE) AND BRAKE CONTROLS



Ref. No.	Part Number	Description	No. Req.	Row Crop Serial Number	Standard Serial Number	Industrial Serial Number
13	1M-775	LINING, Brake (Order 1MS-775)	2	32 000 1-325600	26900 1-270565	40300 1-403185
	1MS-775	LINING Package, Brake	1	32000 1-325600	26900 1-270565	40300 1-403185
14	1M-775-A	LINING, Brake (Order 1MS-775-A)	2	32560 1-332450	270566-271708	
	1MS-775-A	LINING Package, Brake	1	32560 1-332450	270566-271708	
14	1M-775-B	LINING, Brake (Order 1MSR-774-C)	2	33245 1-335280 337244-344801	271709-272115 272466-273123	403186-403240
14	1M-775-C	LINING, Brake (Molded) (Order 1MS-775-D)	6	33528 1-337243	272116-272465	
14	1MA-775-C	LINING, Brake (Molded) (Order 1MS-775-D)	4	34480 2-347903	27312 4-273374	40324 1-403290
14	1M-775-D	LINING, Brake (Woven) (Order 1MS-775-D)	2	34480 2-347903	27312 4-273374	40324 1-403290
	1MS-775-D	LINING Package, Brake	1			
15	1K-776	LEVER, Brake Band	2	32000 1-325600	26900 1-270565	40300 1-403185
16	1K-776-A	ECCENTRIC, Brake Band	2	32560 1-335280	270566-272115	
16	1K-776-C	ECCENTRIC, Brake Band	2	33528 1-344801	272116-273123	403186-403240
16	1K-776-E	ECCENTRIC, Brake Band	2	34480 2-347903	273124-273374	40324 1-403290
17	1K-777	PIN, Brake Band	2	32000 1-325600	26900 1-270565	40300 1-403185

## DIFFERENTIAL, BRAKE (BAND TYPE) AND BRAKE CONTROLS

Ref. No.	Part Number	Description	No. Req.	Row Crop Serial Number	Standard Serial Number	Industrial Serial Number
18	1K-777-A	PIN, Brake Band	4	325601-347903	270566-273374	403186-403290
19	1K-778	PIVOT, Brake Band Lever	2	325601-335280	270566-272115	
19	1K-778-B	PIVOT, Brake Band Lever	2	335281-347903	272116-273374	403186-403290
20	1K-878	SPRING - Orchard	2			
21	1B-900	YOKE, Rod End	2	325601-347903	270566-273374	403186-403290
22	1B-901	PIN, Rod End	2	325601-347903	270566-273374	403186-403290
23		932008 Cotter Pin, 3/32 x 5/8	2			
24	1H-902	PIN, Pedal	2	325601-347903	270566-273374	403186-403290
25	1K-903	SPRING, Brake Pedal - Orchard	2			
26	1K-904	CLIP, Orchard	2			
27	1K-908	DOWEL, Brake Anchor Plate	2	335281-347903	272116-273374	403186-403290
28	1E-940	WASHER, Brake Pedal	2	325601-347903	270566-273374	403186-403290
29		932035 Cotter Pin, 3/16 x 1-1/4	2			
30	1K-957	SPRING, Brake Pedal	2	320001-325600	269001-270565	403001-403185
30	1H-957	SPRING, Brake Pedal	2	325601-327900	270566-271065	
30	1J-957	SPRING, Brake Pedal	2	327901-347903	271066-273374	403186-403290
31	1K-960	LEVER, Brake	2	325601-347903	270566-273374	403186-403290
32		908484 Cap Screw, 3/8 - 24 x 1-3/4 Hex Hd	2			
33		920083 Lock Washer, 3/8	2			
34		915002 Nut, 3/8 - 24 Hex	2			
35	IMS-1100	SHAFT And Spider Assembly, Differential	1	320001-347903	269001-273374	403001-403290
	IMS-A-1100	SHAFT (IMS-1100) And Drive Bevel Gear (IM-644), Differential	1	320001-325700		403001-403185
	IMS-A-1100-A	SHAFT (IMS-1100) With Drive Bevel Gear (IM-644-A), Differential	1		269001-270612	
	IMS-A-1100-B	DIFFERENTIAL Assembly (50 Teeth Bevel)	1	325701-347903	270613-273374	403186-403290
	IMS-A-1100-C	DIFFERENTIAL Assembly (48 Teeth Bevel)	1	320001-347903		403001-403290
	IMS-A-1100-D	DIFFERENTIAL Assembly (48 Teeth Bevel) (Special Low Speed Row Crop and Industrial)	1			
36	UM-1101	PIN, Differential Pinion	2	320001-347903	269001-273374	403001-403290
37	IM-1102	RING, Differential Pinion Pin Retaining	2	320001-347903	269001-273374	403001-403290
38	1K-1104	COVER, Differential Brake Drum	2	320001-325600	269001-270565	403001-403185
39		908329 Cap Screw, 3/8 - 16 x 5/8 Hex Hd	8			
40		920083 Lock Washer, 3/8	8			
38	IKS-1104-A	COVER Assembly, Differential Brake Drum	2	325601-335280	270566-272115	
39		908329 Cap Screw, 3/8 - 16 x 5/8 Hex Hd	8			
40		920083 Lock Washer, 3/8	8			
41	IKS-1104-C	COVER Assembly, Differential Brake Drum	2	335281-347903	272116-273374	403186-403290
42	IKS-1105	PLATE Assembly, Brake Anchor	2	335281-347903	272116-273374	403186-403290
43	1K-1108	PIVOT, Brake Band Lever - Outer	4	335281-347903	272116-273374	403186-403290
44	IMS-1109	DRUM Assembly, Differential Brake (Order IMS-1109-D and IM-1113-A)	2	320001-335280	269001-272115	403001-403185
45	IMS-1109-A	DRUM Assembly, Differential Brake	2	335281-341033	272116-272880	
45	IMS-1109-D	DRUM Assembly, Differential Brake	2	341034-347903	272881-273374	403186-403290

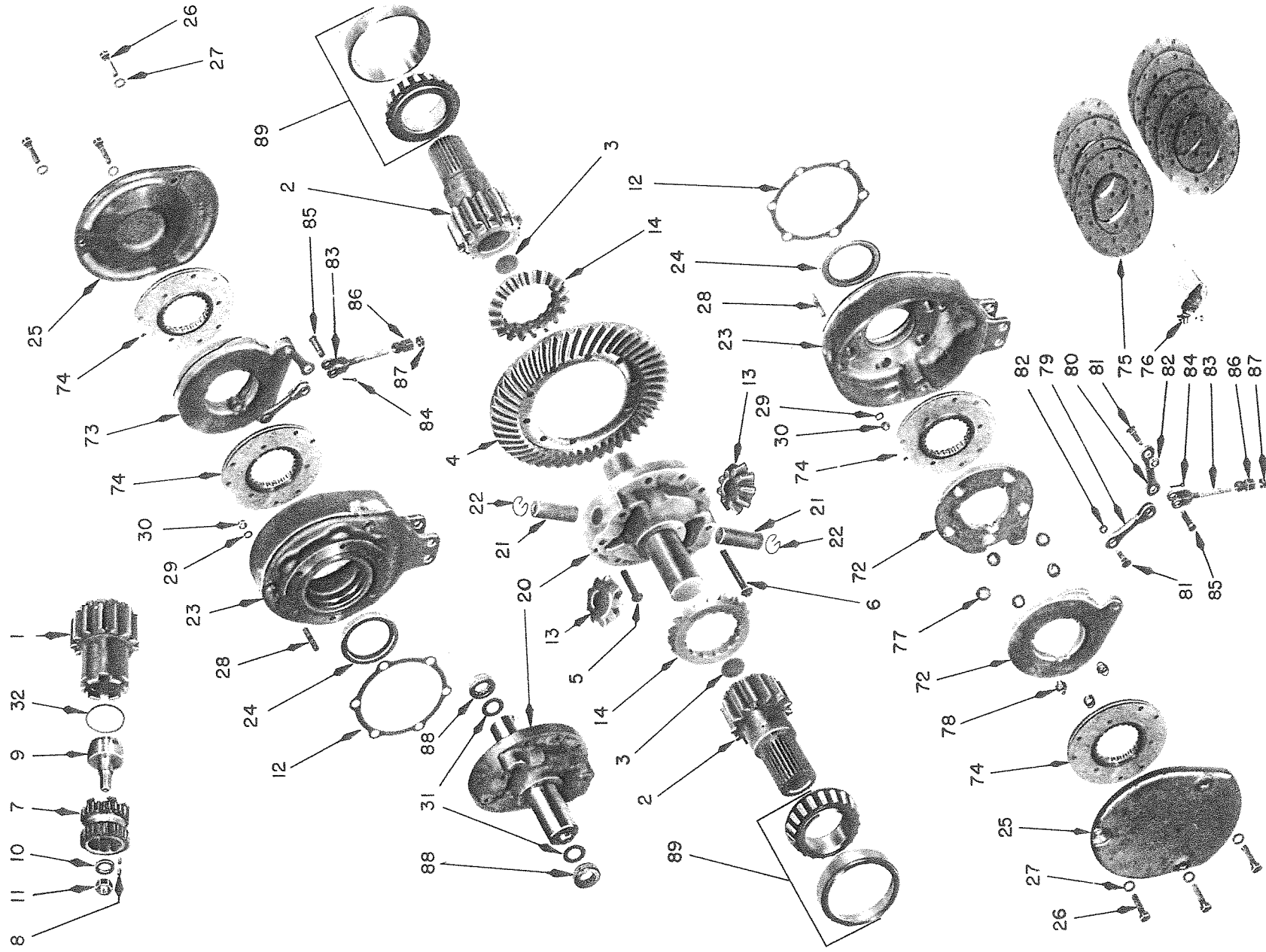
## DIFFERENTIAL, BRAKE (BAND TYPE) AND BRAKE CONTROLS

Ref. No.	Part Number	Description	No. Req.	Row Crop Serial Number	Standard Serial Number	Industrial Serial Number
46	1M-1110	OIL SEAL, Differential Bearing	2	3 2000 1-3 47903	26900 1-273374	40300 1-403290
47	1M-1112	COVER, Differential Bearing	2	32000 1-3 47903	26900 1-273374	40300 1-403290
48	1M-1113	LOCK WASHER, Differential Brake Drum	2	320001-341033	26900 1-272880	403001-403185
48	1M-1113-A	LOCK WASHER, Differential Brake Drum	2	34 10 34-3 47903	27288 1-273374	403186-403290
49	1M-1114	NUT, Differential Brake Drum	2	32000 1-3 47903	26900 1-273374	40300 1-403290
50	1B-1115	STUD, Differential Bearing Cover	10	32000 1-3 35280	269001-272 115	40300 1-403185
51		920084 Lock Washer, 7/16	10			
52		915003 Nut, 7/16 - 20 Hex	10			
53	1K-1115	STUD, Brake Cover	8	33528 1-3 47903	272 116-273374	403 186-403290
54		920083 Lock Washer, 3/8	8			
55		915002 Nut, 3/8 - 24 Hex	8			
56	1M-1117	SEAL, Differential Brake Drum Nut	2	32000 1-3 47903	26900 1-273374	40300 1-403290
57	1K-1119	PEDAL, Brake - Right	1	32000 1-3 25600	26900 1-270565	40300 1-403185
58		908484 Cap Screw, 3/8 - 24 x 1-3/4 Hex Hd	1			
59		920083 Lock Washer, 3/8	1			
60		915002 Nut, 3/8 - 24 Hex	1			
61	1K-1119-A	PEDAL, Brake - Right	1	32560 1-335280	270566-272 115	403 186-403290
61	1K-1119-B	PEDAL, Brake - Right	1	33528 1-3 47903	272 116-273374	403 186-403290
62	1MS-1119	PEDAL Assembly, Brake - Right - Orchard	1			
63	1K-1120	PEDAL, Brake - Left	1	320001-3 25600	269001-2 70565	403 001-403185
58		908484 Cap Screw, 3/8 - 24 x 1-3/4 Hex Hd	1			
59		920083 Lock Washer, 3/8	1			
60		915002 Nut, 3/8 - 24 Hex	1			
64	1K-1120-A	PEDAL, Brake - Left	1	32560 1-335280	270566-272 115	403 186-403290
64	1K-1120-B	PEDAL, Brake - Left	1	33528 1-3 47903	272 116-273374	403 186-403290
65	1MS-1120	PEDAL Ass embly, Brake - Left - Orchard	1			
66	1K-1121	LATCH, Brake Pedal	2	32560 1-3 35280	270566-272 115	
67		920010 Washer, 7/16 Plain	2			
68		932008 Cotter Pin, 3/32 x 3/4	2			
66	1KS-1121-C	LATCH Assembly, Brake Pedal	2	33528 1-3 47903	272 116-273 374	403186-403290
67		920010 Washer, 7/16 Plain	2			
68		932008 Cotter Pin, 3/32 x 3/4	2			
71		S-3124 Cap Screw, 5/16 - 18 x 1-3/8 Hex Hd	2			
72		915266 Nut, 5/16 - 18 Jam	2			
69	1K-1121-A	LATCH, Brake Pedal - Right	1	32000 1-3 25600	26900 1-270565	40300 1-403185
67		920010 Washer, 7/16 Plain	1			
68		932008 Cotter Pin, 3/32 x 3/4	1			
70	1K-1121-B	LATCH, Brake Pedal - Left	1	32000 1-3 25600	26900 1-270565	40300 1-403185
67		920010 Washer, 7/16 Plain	1			
68		932008 Cotter Pin, 3/32 x 3/4	1			
73	1M-1121	LATCH, Brake - Orchard	2			
74	1H-1122	PIN, Brake Pedal Latch Pivot	2	32000 1-3 47903	26900 1-273374	403 00 1-403290
75	1K-1124	PIN, Brake Pedal Pivot	2	32000 1-3 25600	26900 1-270565	40300 1-403185
76	1K-1124-A	PIN, Brake Band Anchor	2	32000 1-3 25600	26900 1-270565	40300 1-403185
77		932027 Cotter Pin, 5/32 x 1-1/2	2			
78	1K-1125	ROD, Brake	2	32560 1-3 47903	270566-273374	403186-403290
79		915002 Nut, 3/8 - 24 Hex	2			
80		932008 Cotter Pin, 3/32 x 5/8	2			

## DIFFERENTIAL, BRAKE (BAND TYPE) AND BRAKE CONTROLS

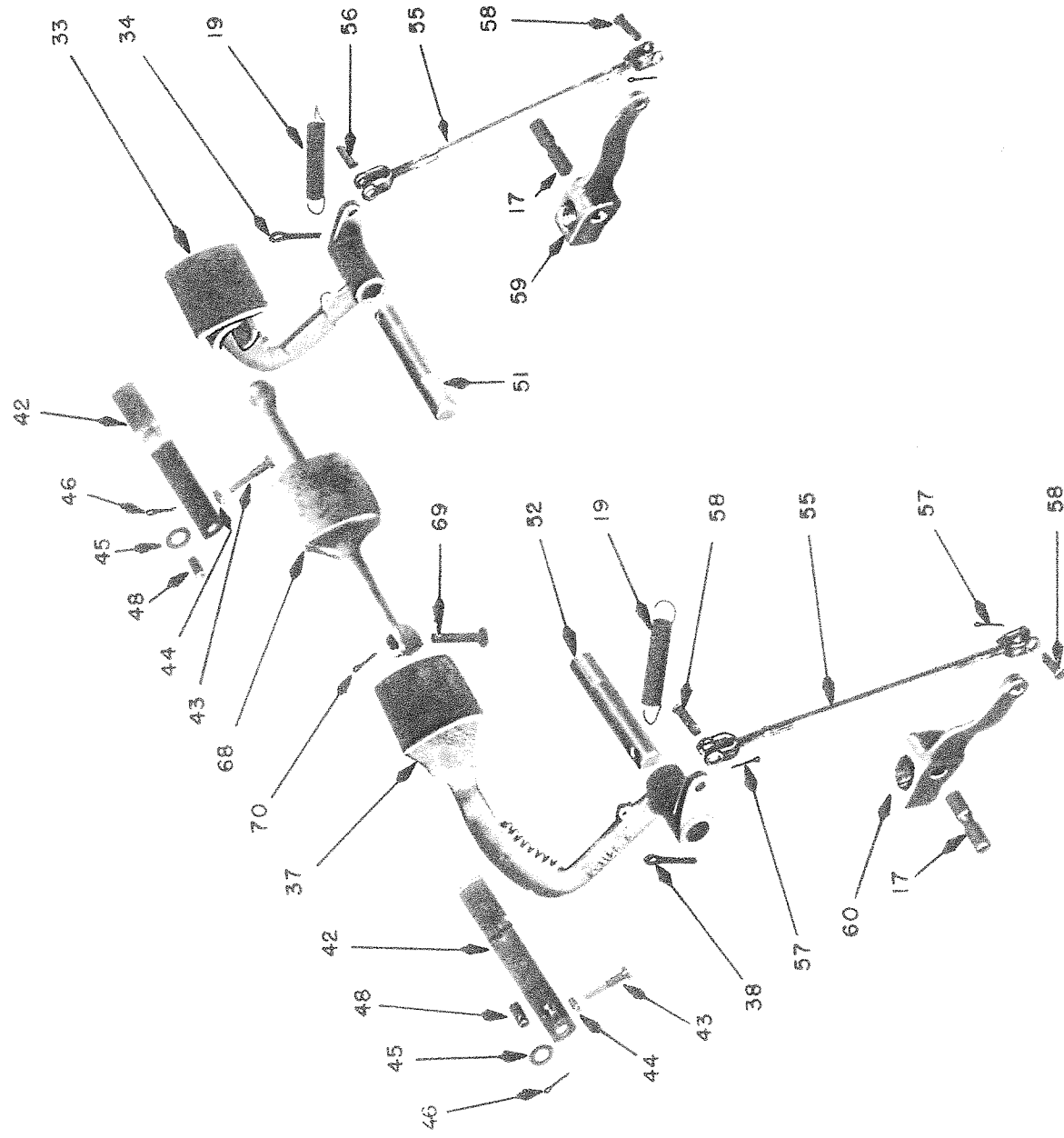
Ref. No.	Part Number	Description	No. Req.	Row Crop Serial Number	Standard Serial Number	Industrial Serial Number
81	1M-1125	ROD, Brake - Orchard	2			
82		932019 Cotter Pin, 3/32 x 5/8	2			
83		915085 Nut, 3/8 - 24 Hex Jam	2			
84	1E-1381-A	SPRING - Orchard	1			
85		SHAFT Assembly, Brake Cross - Orchard	1			
86	1MS-1421	S-1371 Pin, 5/16 x 1-3/4 Roll	1			
87		932037 Cotter Pin, 3/16 x 1-3/4	2			
88	1M-1430	BAR, Equalizer	1	320001-347903	269001-273374	403001-403290
89		PEDAL, Assembly, Brake Equalizer - Orchard	1			
90	1MS-1430-A	920008 Washer, 5/16 Plain	1			
91		932008 Cotter Pin, 3/32 x 5/8	1			
92	1F-1431	PIN, Equalizer Bar	1	320001-347903	269001-273374	403001-403290
93		932008 Cotter Pin, 3/32 x 5/8	1			
94	1K-1432	RETAINER, Equalizer Bar	1	320001-347903	269001-273374	403001-403290
95		908314 Cap Screw, 5/16 - 18 x 5/8 Hex Hd	1			
96		920082 Lock Washer, 5/16	1			
97	1K-1692	PIN - Orchard	2			
98		920008 Washer, 5/16 Plain	2			
99		932008 Cotter Pin, 3/32 x 5/8	2			
100	1KS-5021	BEARING, Differential Roller (Timken 3984-3925)	2	320001-347903	269001-273374	403001-403290

DIFFERENTIAL, BRAKE (DISC TYPE) AND BRAKE CONTROLS



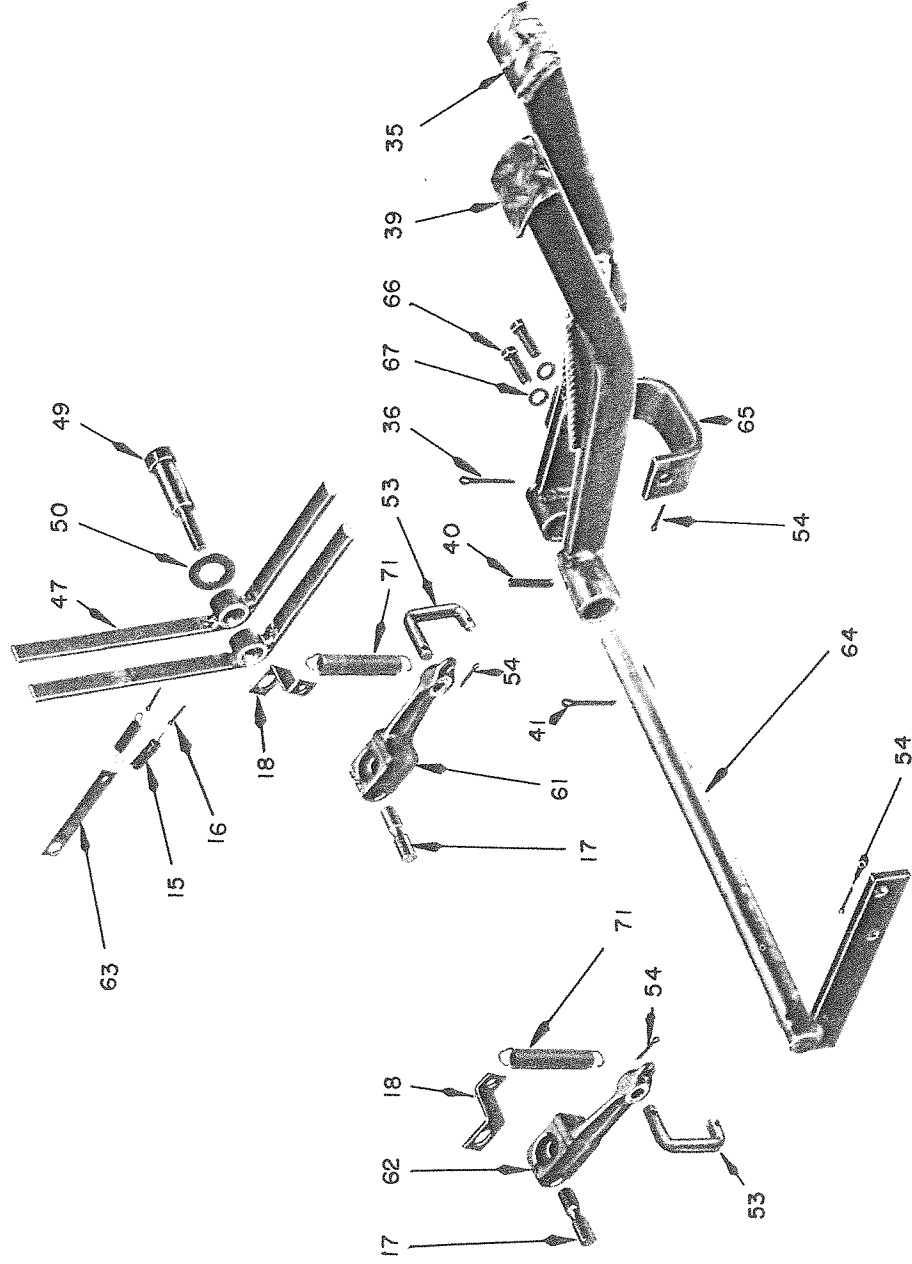


## DIFFERENTIAL, BRAKE (DISC TYPE) AND BRAKE CONTROLS



Ref. No.	Part Number	Description	No. Req.	Row Crop Serial Number	Standard Serial Number	Industrial Serial Number
1	IM-643	PINION, Differential Bull	2	347904-348579	273375-273775	403291-403380
2	IMS-643-A	PINION With Plug (935024), Differential Bull	2	348580-8302	273776-8302	403391-8302
3	IMS-643-B	935024 Plug, 1-5/8 Dia Expansion	2			
2	IMS-643-B	PINION With Plug (935024), Differential Bull	2	8303-	8303-	8303-
3	IMS-643-B	935024 Plug, 1-5/8 Dia Expansion	2			
4	IM-644-B	GEAR, Bevel Drive (50 Teeth) (See IMSR-602-B)	1	347904-		403291-
5		S-669 Rivet, 7/16 x 1-3/4 Button Hd	6			
6		S-689 Rivet, 7/16 x 3 Button Hd	4			

## DIFFERENTIAL, BRAKE (DISC TYPE) AND BRAKE CONTROLS



Ref. No.	Part Number	Description	No. Req.	Row Crop Serial Number	Standard Serial Number	Industrial Serial Number
4	1M-644-C	GEAR, Bevel Drive (48 Teeth) (See 1MSR-602-C), 92315 1 Rivet, 7/16 x 2 Button Hd S-690 Rivet, 7/16 x 3-1/4 Button Hd	1 6 4	347904	273375-	403291-
4	1M-644-D	GEAR, Bevel Drive (48 Teeth) (See 1MSR-602-D) (Special Low Speed Row Crop and Industrial) S-669 Rivet, 7/16 x 1-3/4 Button Hd S-689 Rivet, 7/16 x 3 Button Hd	1 6 4	347904-348579	273375-273775	403291-403390
7	1MR-645	EXTENSION, Bull Pinion S-1185 Set Screw, 5/16 - 24 x 1/2	2 4	347904-348579	273375-273775	403291-403390
9	1MR-646	SPINDLE, Bull Pinion Extension	2	347904-348579	273375-273775	403291-403390
10	1KR-647	WASHER, Bull Pinion Extension Spindle	2	347904-348579	273375-273775	403291-403390
11	1M-650	S-2051 Nut, 3/4 - 16 Marsden Hex	2	347904-	273375-	403291-
12	1M-651	SHIM, Differential Bearing Cover (.007")	Req.	347904-	273375-	403291-
12	1M-651	SHIM, Differential Bearing Cover (.0149")	Req.	347904-	273375-	403291-

## DIFFERENTIAL, BRAKE (DISC TYPE) AND BRAKE CONTROLS

Ref. No.	Part Number	Description	No. Req.	Row Crop Serial Number	Standard Serial Number	Industrial Serial Number
12	1M-652	SHIM, Differential Bearing Cover (.004")	Req.	347904-	273375-	403291-
13	1M-654	PINION, Differential (9 Teeth)	2	347904-	273375-	403291-
14	1M-655	GEAR, Differential (19 Teeth)	2	347904-	273375-	403291-
15	1K-878	SPRING, Brake Latch - Orchard (Tractor Serial Number 273375-)	2			
16		932008 Cotter Pin, 3/32 x 3/4	2			
17	1K-901	PIN, Brake Lever Pivot	2	347904-	273375-	403291-
18	1M-904-B	CLIP, Brake Lever Spring - Orchard (Tractor Serial Number 273375-)	2			
19	1J-957	SPRING, Brake Pedal	2	347904-	273375-	403291-
20	1MS-1100	SHAFT And Spider Assembly, Differential	1	347904-8302	273375-8302	403291-8302
20	1MS-1100-A	SHAFT And Spider Assembly, Differential	1	8303-	8303-	8303-
	1MSA-1100-B	DIFFERENTIAL Assembly (50 Teeth Bevel)	1	347904-8302	273375-8302	403291-8302
	1MSA-1100-C	DIFFERENTIAL Assembly (48 Teeth Bevel)	1			
	1MSA-1100-D	DIFFERENTIAL Assembly (48 Teeth Bevel) (Special Low Speed Row Crop and Industrial)	1	347904-8302		403291-8302
	1MSA-1100-E	DIFFERENTIAL Assembly (50 Teeth Bevel)	1	8303-	8303-	8303-
	1MSA-1100-F	DIFFERENTIAL Assembly (48 Teeth Bevel)	1			
	1MSA-1100-G	DIFFERENTIAL Assembly (48 Teeth Bevel) (Special Low Speed Row Crop and Industrial)	1			
21	1M-1101	PIN, Differential Pinion	1	8303-	8303-	8303-
22	1M-1102	RING, Differential Pinion Pin Retaining	2	347904-	273375-	403291-
23	1M-1104	HOUSING, Brake	2	347904-	273375-	403291-
23	1M-1104-A	HOUSING, Brake	2	347904-8302	273375-8302	403291-8302
24	1M-1110	OIL SEAL, Differential Bearing	2	8303-	8303-	8303-
25	1K-1112-A	COVER, Disc Brake	2	347904-	273375-	403291-
26		908358 Cap Screw, 1/2 - 13 x 1-3/4 Hex Hd	6			
27		920085 Lock Washer, 1/2	6			
28	1K-1115-B	STUD, Brake Housing	10	347904-	273375-	403291-
29		920084 Lock Washer, 7/16	10			
30		915003 Nut, 7/16 - 20 Hex	10			
31	1M-1116-A	SHIM, Differential Thrust Bearing (.0149")	4	8303-	8303-	8303-
31	1M-1116-B	SHIM, Differential Thrust Bearing (.007")	6	8303-	8303-	8303-
31	1M-1116-C	SHIM, Differential Thrust Bearing (.004")	6	8303-	8303-	8303-
32	1M-1117	SEAL, Oil	2	347904-348579	273375-273775	403291-403390
33	1M-1119-A	PEDAL, Brake - Right	1	347904-	273375-	403291-
34		932045 Cotter Pin, 1/4 x 1-1/4	1			
35	1MS-1119-B	PEDAL Assembly, Brake - Right - Orchard (Tractor Serial Number 273375-)	1			
36		932037 Cotter Pin, 3/16 x 1-3/4	1			
37	1M-1120-A	PEDAL, Brake - Left	1	347904-	273375-	403291-
38		932045 Cotter Pin, 1/4 x 1-1/4	1			
39	1MS-1120-B	PEDAL Assembly, Brake - Left - Orchard (Tractor Serial Number 273375-)	1			
40		S-1371 Pin, 5/16 x 1-3/4 Roll	1			
41		932037 Cotter Pin, 3/16 x 1-3/4	1			

## DIFFERENTIAL, BRAKE (DISC TYPE) AND BRAKE CONTROLS

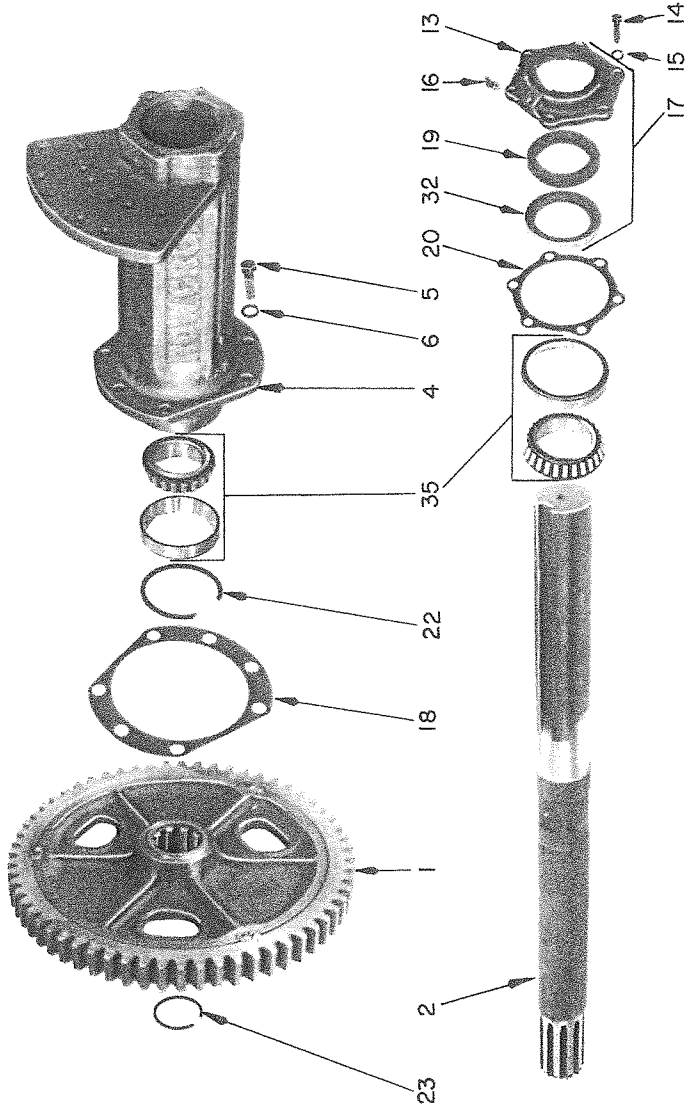
Ref. No.	Part Number	Description	No. Req.	Row Crop Serial Number	Standard Serial Number	Industrial Serial Number
42	IKS-1121-C	LATCH Assembly, Brake Pedal 908321 Cap Screw, 5/16 - 18 x 2 Hex Hd	2	347904-	273375-	403291-
43		915235 Nut, 5/16 - 18 Hex Jam	2			
44		920010 Washer, 7/16 Plain	2			
45		932008 Cotter Pin, 3/32 x 3/4	2			
46			2			
47	IMS-1121-A	LATCH Assembly, Brake Pedal - Orchard (Tractor Serial Number 273375-)	2			
48	IH-1122	PIN, Brake Pedal Latch Pivot	2	347904-	273375-	403291-
49	IM-1122-A	CAP SCREW, Latch Pivot - Orchard (Tractor Serial Number 273375-)	1			
50		920016 Washer, 7/8 Plain	1			
51	IK-1124-B	PIN, Brake Pedal Pivot - Right	1	347904-	273375-	403291-
52	IK-1124-C	PIN, Brake Pedal Pivot - Left	1	347904-	273375-	403291-
53	IM-1125-B	LINK, Brake Connecting - Orchard (Tractor Serial Number 273375-)	2			
54		932016 Cotter Pin, 1/8 x 3/4	4			
55	IMS-1125-C	ROD, Brake S-1365 Roll Pin, 3/8 x 15/16	2	347904-	273375-	403291-
56		932008 Cotter Pin, 3/32 x 3/4	1			
57		932122 Pin, 9/8 Rod End	3			
58			3			
59	IM-1413-A	LEVER, Brake Actuating - Right	1	347904-	273375-	403291-
60	IM-1413-B	LEVER, Brake Actuating - Left	1	347904-	273375-	403291-
61	IM-1413-C	LEVER, Brake Actuating - Right - Orchard (Tractor Serial Number 273375-)	1			
62	IM-1413-D	LEVER, Brake Actuating - Left - Orchard (Tractor Serial Number 273375-)	1			
63	IM-1417	CLIP, Brake Lever Spring - Orchard (Tractor Serial Number 273375-)	1			
64	IMS-1421-A	SHAFT Assembly, Brake Cross - Orchard (Tractor Serial Number 273375-)	1			
65	IM-1423	BRACKET, Brake Pedal Link - Orchard (Tractor Serial Number 273375-)	1			
66		908345 Cap Screw, 7/16 - 14 x 1-1/4 Hex Hd	2			
67		920084 Lock Washer, 7/16	2			
68	IM-1430-B	BAR, Brake Equalizer	1	347904-	273375-	403291-
69	IK-1431	PIN, Brake Equalizer Bar 932008 Cotter Pin, 3/32 x 3/4	1	347904-	273375-	403291-
70			1			
71	IH-1507	SPRING, Brake Pedal - Orchard (Tractor Serial Number 273375-)	2			
	IMSRA-2600	DISC Brake Field Change-Over Package	1			
	IMSRA-2600-A	DISC Brake Field Change-Over Package - Orchard	1			
72	IK-2602	DISC, Actuating	4	347904-	273375-	403291-
73	IKS-2602	DISC Assembly, Actuating	2	347904-	273375-	403291-
74	IKS-2603	DISC And Linings, Middle	4	348580-	273775-	403391-
74	IKRS-2603-A	DISC And Linings, Middle (Also used in field change-over packages)	4	347904-348579	273375-273775	403291-403390
75	IK-2604	LINING (Order IKS-2604)	8	347904-	273375-	403291-
	IKS-2604	PACKAGE, Lining and Rivet	1	347904-	273375-	403291-

## DIFFERENTIAL, BRAKE (DISC TYPE) AND BRAKE CONTROLS

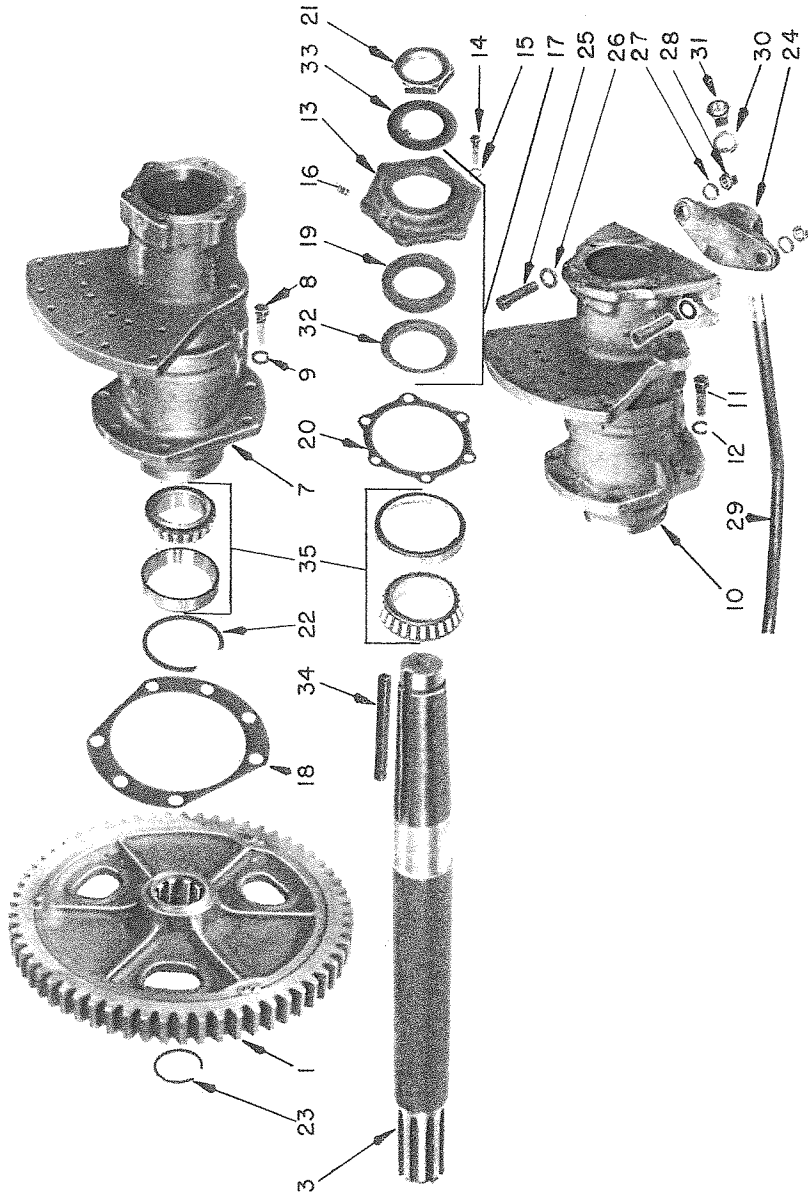
Ref. No.	Part Number	Description	No. Req.	Row Crop Serial Number	Standard Serial Number	Industrial Serial Number
76	7A-2605	RIVET	72	347904-	273375-	403291-
77	7A-2606	BALL - 7/8" Diameter	10	347904-	273375-	403291-
78	1K-2608	SPRING, Extension	6	347904-	273375-	403291-
79	1KA-2609	LINK, Actuating - Yoke	2	347904-	273375-	403291-
80	1K-2610	LINK, Actuating - Pin	2	347904-	273375-	403291-
81	1K-2612	STUD	4	347904-	273375-	403291-
82		915085 Nut, 6/8 - 24 Hex Jam	4			
83	1K-2615	ROD, Brake Actuating	2	347904-	273375-	403291-
84		932016 Cotter Pin, 1/8 x 3/4	2			
85		932124 Pin, 1/2 Rod End	2			
86	1K-2617	NUT, Brake Adjusting	2	347904-	273375-	403291-
87		915087 Nut, 1/2 - 20 Hex Jam	2			
88	1MS-5020	BEARING, Differential Thrust Roll (Aetia E-10)	2	8303-	8303-	8303-
89	1KS-5021	BEARING, Differential Roller (Trunken 3864-3925)	2	347904-	273375-	403291-

REAR AXLE

ROW CROP



STANDARD, ORCHARD AND INDUSTRIAL



## REAR AXLE

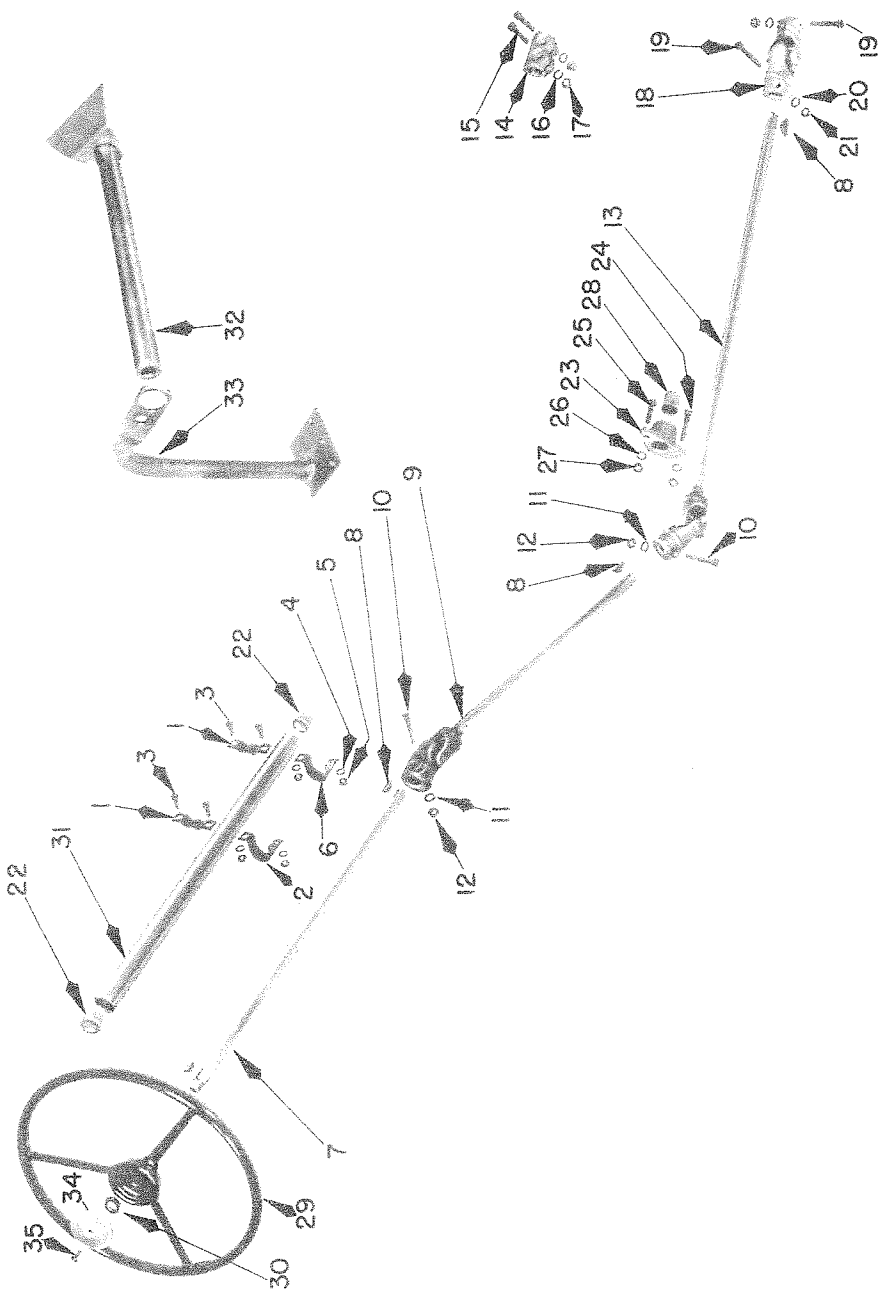
Ref. No.	Part Number	Description	No. Req.	Row Crop Serial Number	Standard Serial Number	Industrial Serial Number
1	IMS-657	GEAR And Spider, Bull	2	32000 1-8302	26900 1-8302	403001-8302
1	IMS-657-B	GEAR And Spider, Bull	2	8303-	830 3-	8303-
2	IMA-699	AXLE, Rear (IME-699 will work)	2	32000 1-8302		
2	IMB-699	AXLE, Rear	2	32000 1-8302		
2	IM-699-D	AXLE, Rear	2	8303-		
2	IMA-699-B	AXLE, Rear - 100" Tread (IME-699-B will work)	2	32000 1-8302		
2	IMB-699-B	AXLE, Rear - 100" Tread	2	32000 1-8302		
2	IMA-699-F	AXLE, Rear - 100" Tread	2	8303-		
2	IMA-699-C	AXLE, Rear - 60" to 90" Tread (IME-699-C will work)	2	32000 1-8302		
2	IMB-699-C	AXLE, Rear - 60" to 90" Tread	2	32000 1-8302		
2	IMA-699-G	AXLE, Rear - 60" to 90" Tread	2	8303-		
3	IMA-699-A	AXLE, Rear (IMA-699-A or IMB-699-A will work)	2		26900 1-273775	403001-403390
3	IMB-699-A	AXLE, Rear (IME-699-A will work)	2		273776-8302	403391-8302
3	IMB-699-A	AXLE, Rear	2		273776-8302	40339 1-8302
3	IM-699-E	AXLE, Rear	2		830 3-	830 3-
4	IM-700-C	CARRIER, Rear Axle	2	32000 1-		
5		908386 Cap Screw, 5/8 - 11 x 2 Hex Hd	14			
6		920087 Lock Washer, 5/8	14			
4	IM-700-B	CARRIER, Rear Axle - 100" Tread (IMA-700-B or IM-700-D will work)	2	32000 1-		
5		908386 Cap Screw, 5/8 - 11 x 2 Hex Hd	14			
6		920087 Lock Washer, 5/8	14			
4	IMA-700-B	CARRIER, Rear Axle - 100" Tread (IM-700-D will work)	2	32000 1-		
5		908386 Cap Screw, 5/8 - 11 x 2 Hex Hd	14			
6		920087 Lock Washer, 5/8	14			
4	IM-700-D	CARRIER, Rear Axle - 100" Tread	2	32000 1-		
5		908386 Cap Screw, 5/8 - 11 x 2 Hex Hd	14			
6		920087 Lock Washer, 5/8	14			
7	IM-700-A	CARRIER, Rear Axle (IMA-700-A will work)	2		26900 1-272911	40300 1-403185
8		908386 Cap Screw, 5/8 - 11 x 2 Hex Hd	14			
9		920087 Lock Washer, 5/8	14			
7	IMA-700-A	CARRIER, Rear Axle	2		27291 2-3510385	403186-3510385
8		908386 Cap Screw, 3/8 - 11 x 2 Hex Hd	14			
9		920087 Lock Washer, 3/8	14			
10	IM-700-E	CARRIER, Rear Axle	2		3510386-	3510386-
11		908386 Cap Screw, 5/8 - 11 x 2 Hex Hd	14			
12		920087 Lock Washer, 5/8	14			
13	IM-701	CAP, Rear Axle Bearing (Order IMS-701)	2		26900 1-8302	40300 1-8302
14		908333 Cap Screw, 3/8 - 16 x 1-1/4 Hex Hd	12			
15		920083 Lock Washer, 3/8	12			
16		939017 Fitting, 1/8 PT x 67-1/2° (RC & Std)	2			
16		939018 Fitting, 1/8 PT x 85° (Ind & Orch)	2			
13	IM-701-A	CAP, Rear Axle Bearing (Order IMS-701-A)	2			
14		908333 Cap Screw, 3/8 - 16 x 1-1/4 Hex Hd	12			
15		920083 Lock Washer, 3/8	12			
16		939017 Fitting, 1/8 PT x 67-1/2° (RC & Std)	2			
16		939018 Fitting, 1/8 PT x 85° (Ind & Orch)	2			
17	IMS-701	CAP (IM-701) With Oil Seal (IB-1443) and Felt Washer (IC-703), Rear Axle Bearing	2	32000 1-8302	26900 1-8302	40300 1-8302

## REAR AXLE

Ref. No.	Part Number	Description	No. Req.	Row Crop Serial Number	Standard Serial Number	Industrial Serial Number
17	1MS-701-A	CAP (1M-701-A) With Oil Seal (1M-1443) and Felt Washer (1M-703), Rear Axle Bearing	2	8303-	8303-	8303-
18	1M-702	GASKET, Rear Axle Carrier	2	320001-	269001-	403001-
19	1C-703	FELT, Rear Axle Bearing Cap	2	320001-8302	269001-8302	403001-8302
19	1M-703	WASHER, Rear Axle Bearing Cap Felt	2	8303-	8303-	8303-
20	1K-707	SHIM, Rear Axle Bearing Cap (.007")	Req.	320001-	269001-	403001-
20	1K-708	SHIM, Rear Axle Bearing Cap (.0149")	Req.	320001-	269001-	403001-
20	1K-709	SHIM, Rear Axle Bearing Cap (.004")	Req.	320001-	269001-	403001-
21	1F-711-A	NUT, Rear Axle	2			
22	1B-1028-B	SNAP RING, Rear Axle Inner Bearing	2	320001-	269001-	403001-
23	1B-1142-A	SNAP RING, Rear Axle	2	320001-8302	269001-8302	403001-8302
23	1K-1142	SNAP RING, Rear Axle	2	8303-	8303-	8303-
24	1K-1230	BRACKET, Truss Rod	2			
25		908564 Cap Screw, 7/8 - 14 x 2 Hex Hd	4			
26		920016 Washer, 7/8 Plain	4			
27		920091 Lock Washer, 7/8	4			
28		915008 Nut, 7/8 - 14 Hex	4			
29	1M-1231	ROD, Rear Axle Carrier	1			
30		920097 Lock Washer, 1-1/4	2			
31		915011 Nut, 1-1/4 - 12 Hex	2			
32	1B-1443	OIL SEAL, Rear Axle	2	320001-8302	269001-8302	403001-8302
32	1M-1443	OIL SEAL, Rear Axle	2	8303-	8303-	8303-
33	1F-1449	LOCK WASHER, Rear Axle Nut	2			
34	1F-1451-A	KEY, Rear Axle	2			
35	1MS-5012	BEARING, Rear Axle Roller (Timken 390A-394A) (Optional with 1MAS-5012)	2			
35	1MAS-5012	BEARING, Rear Axle Roller (Hyatt KA11985Z) (Optional with 1MS-5012-A)	4	320001-8302	269001-8302	403001-8302
35	1MS-5012-A	BEARING, Rear Axle Roller (Timken 395S-394A) (Optional with 1MAS-5012-A)	4			
35	1MAS-5012-A	BEARING, Rear Axle Roller (Hyatt KL11985Y) (Optional with 1MS-5012-A)	4	8303-	8303-	8303-



## STEERING WHEEL AND SHAFTS

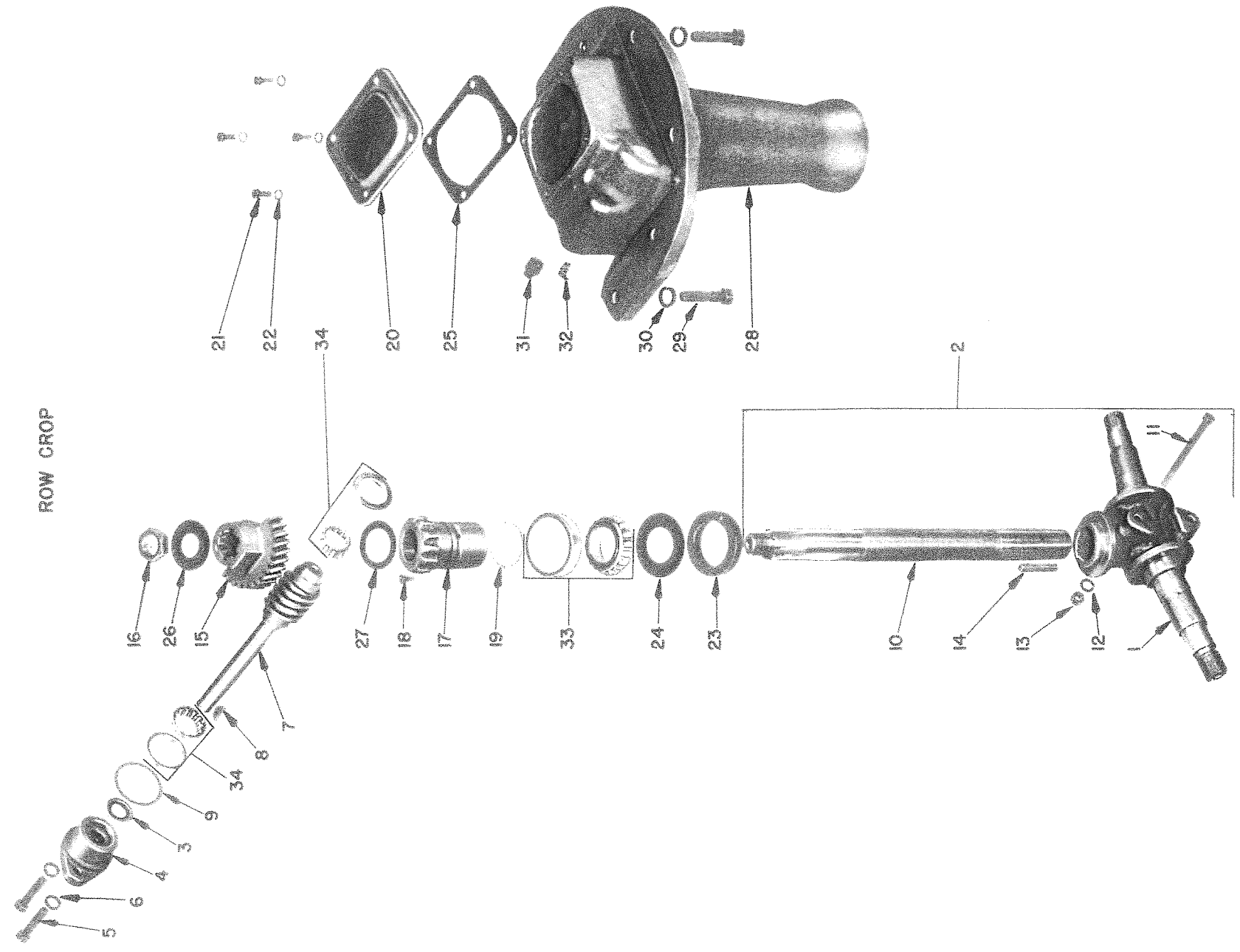


Ref. No.	Part Number	Description	No. Req.	Row Crop Serial Number	Standard Serial Number	Industrial Serial Number
1	1K-751	SPACER, Steering Column Support	2	320001-	269001-	403001-
2	1K-751-A	CLAMP, Steering Column - Upper	1	320001-	269001-	403001-
3	908332	Cap Screw, 3/8 - 16 x 1 Hex Hd	2			
4	920083	Lock Washer, 3/8	2			
5	915113	Nut, 3/8 - 16 Hex	2			
6	1K-751-B	CLAMP, Steering Column - Lower	1	320001-	269001-	403001-
3	908332	Cap Screw, 3/8 - 16 x 1 Hex Hd	2			
4	920083	Lock Washer, 3/8	2			
5	915113	Nut, 3/8 - 16 Hex	2			
7	1K-753	SHAFT, Steering Wheel	1	320001-	269001-	403001-
8	937020	Key, 3/16 x 1 Woodruff	2			
7	1M-753	SHAFT, Steering Wheel - Orchard	1			
8	937020	Key, 3/16 x 1 Woodruff	1			
9	1KBS-753-A	SHAFT And Universal Joint, Center Steering (22-1/4" overall length)	1	320001-	269001-	403001-
8	937020	Key, 3/16 x 1 Woodruff	1			
10	908336	Cap Screw, 3/8 - 16 x 2 Hex Hd	1			
11	920083	Lock Washer, 3/8	1			
12	915113	Nut, 3/8 - 16 Hex	1			
9	1MES-753-A	SHAFT And Universal Joint, Center Steering - Orchard (31-15/16" overall length) (Same hardware material as 1KBS-753-A)	1			
13	1KAS-753-C	SHAFT And Universal Joint, Front Steering (34" overall length) (Same hardware material as 1KBS-753-A)	1		269001-272115	

## STEERING WHEEL AND SHAFTS

Ref. No.	Part Number	Description	No. Req.	Row Crop Serial Number	Standard Serial Number	Industrial Serial Number
13	IKAS-753-D	SHAFT And Universal Joint, Front Steering (30-1 9/32" overall length) (Same hardware material as IKES-753-A)	1			403001-403290
13	IKAS-753-E	SHAFT And Universal Joint, Front Steering (30-25/32" overall length) (Same hardware material as IKES-753-A)	1		272116-	403291-
13	IMAS-753-B	SHAFT And Universal Joint, Front Steering (40-2 9/32" overall length) (Same hardware material as IKES-753-A)	1	320001-		
14	IH-758	COUPLING, Front Steering Shaft	1		269001-272115	
15		908334 Cap Screw, 3/8 - 16 x 1-1/2 Hex Hd	2			
16		920083 Lock Washer, 3/8	2			
17		915113 Nut, 3/8 - 16 Hex	2			
18	IKA-758	JOINT, Steering Shaft Universal - Front	1	320001-	269001-	403001-
19		908336 Cap Screw, 3/8 - 16 x 2 Hex Hd	2			
20		920083 Lock Washer, 3/8	2			
21		915113 Nut, 3/8 - 16 Hex	2			
	IKAR-758	BEARING And Spider Assembly (Repair Only) (For Mechanics Universal Joint)	1			
22	IH-761	BUSHING, Steering Column	2	320001-	269001-	403001-
23	IK-762-A	BEARING, Front Steering Shaft (Order IKSR-762-B)	1		269001-272880	403001-403185
23	IK-762-B	SUPPORT, Steering Shaft Bearing (Self Aligning)	2		272881-	403186-
24		908331 Cap Screw, 3/8 - 16 x 7/8 Hex Hd	1			
25		908334 Cap Screw, 3/8 - 16 x 1-1/2 Hex Hd	1			
26		920083 Lock Washer, 3/8	2			
27		915113 Nut, 3/8 - 16 Hex	2			
		920009 Washer, 3/8 Plain	2			
23	IM-762	BEARING, Front Steering Shaft (Order IKSR-762-B)	1	320001-340154		
	IMS-762	BEARING (IM-762) With Bushing (IH-763), Front Steering Shaft (Order IKSR-762-B)	1			
24		908335 Cap Screw, 3/8 - 16 x 1-3/4 Hex Hd	1	320001-340154		
25		908333 Cap Screw, 3/8 - 16 x 1-1/4 Hex Hd	1			
26		920083 Lock Washer, 3/8	2			
27		915113 Nut, 3/8 - 16 Hex	2			
	IKS-762-A	BEARING (IK-762-A) With Bushing (IH-763), Front Steering Shaft (Order IKSR-762-B)	1		269001-272880	403001-403185
24		908336 Cap Screw, 3/8 - 16 x 2 Hex Hd	1			
25		908333 Cap Screw, 3/8 - 16 x 1-1/4 Hex Hd	1			
26		920083 Lock Washer, 3/8	2			
27		915113 Nut, 3/8 - 16 Hex	2			
	IKSR-762-B	BEARING Package, Self-Aligning Front Steering Shaft	1	320001-	269001-	403001-
28	IH-763	BUSHING, Steering Shaft	1	320001-340154	269001-272880	403001-403185
28	IK-763	BEARING, Steering Shaft (Self Aligning)	1	340155-	272881-	403186-
29	IE-767-C	WHEEL, Steering	1	320001-	269001-	403001-
30		915090 Nut, 3/4 - 16 Hex Jam	1			
31	IK-768	COLUMN, Steering (Order IKS-768)	1	320001-	269001-	403001-
	IKS-768	COLUMN (IK-768) With Bushing (IH-761), Steering	1	320001-	269001-	403001-
32	IMS-768	COLUMN Assembly, Steering - Orchard	1			
33	IMS-771	SUPPORT Assembly, Steering Column - Orchard	1			
34	IH-1082	CAP, Steering Wheel	1	320001-8302	269001-8302	403001-8302
35		S-773 Screw, 1/4 - 20 x 3/4 Mach	1			
34	IE-1082	CAP, Steering Wheel	1	8303-	8303-	8303-
35		S-2595 Screw, 1/4 - 20 x 5/8 Mach	1			

FRONT STEERING MECHANISM (ROW CROP)



SECTION VIII  
STEERING GEAR

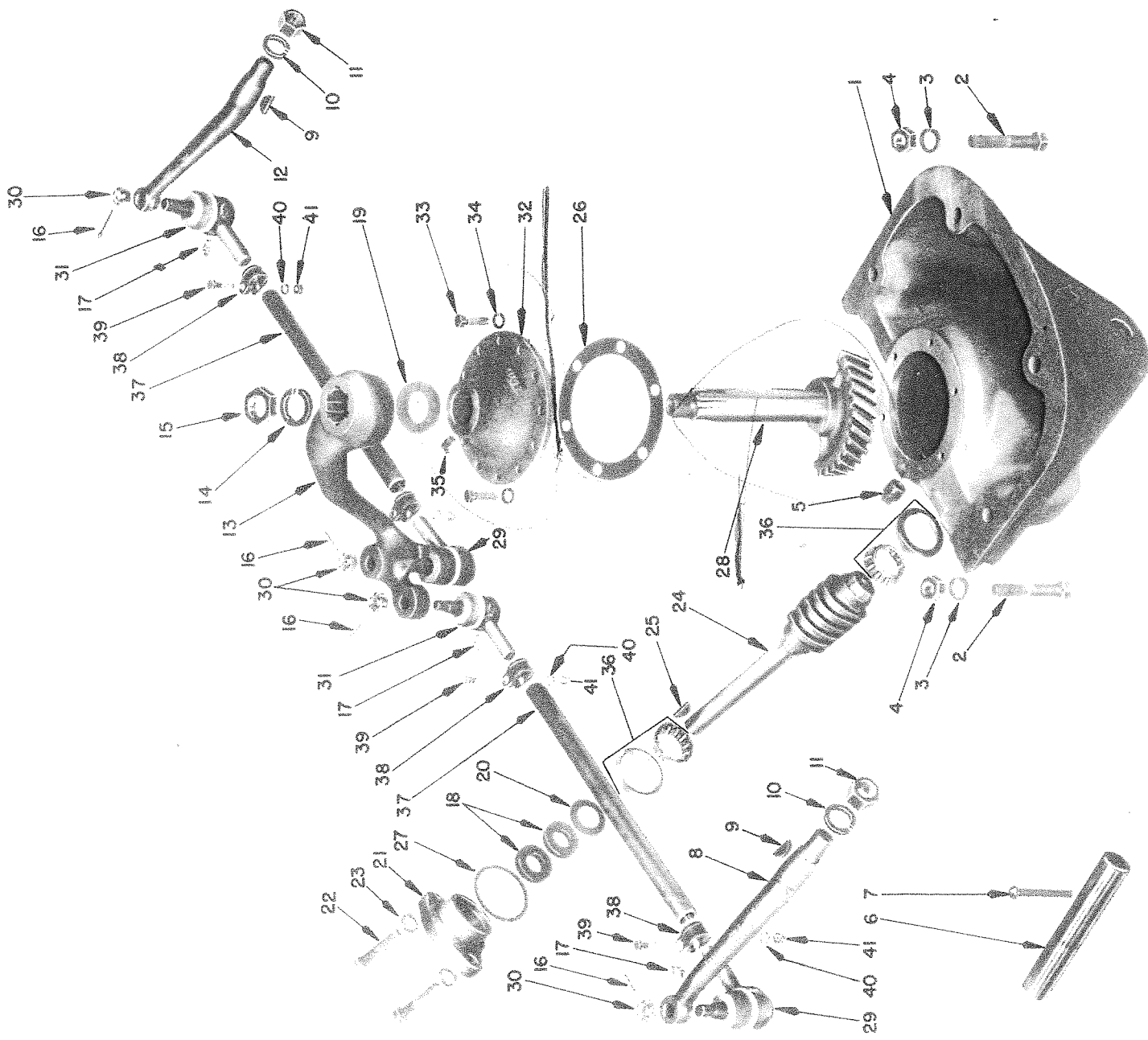
## 77 PARTS BOOK

## FRONT STEERING MECHANISM (ROW CROP)

Ref. No.	Part Number	Description	No. Req.	Row Crop Serial Number
1	1K-712	AXLE, Front (Order 1KS-712-L)	1	320001-4501348
1	1K-712-K	AXLE, Front (Order 1KS-712-L)	1	4501349-
2	1KS-712	AXLE (1K-712) And Post (1K-1151), Front (Order 1KS-712-L)	1	320001-4501348
2	1KS-712-L	AXLE (1K-712-L) With Post (1K-1151-A), Front	1	4501349-
3	1K-752-A	SEAL, Steering Worm	1	320001-
4	1K-757-A	COVER, Steering Worm Bearing	1	320001-
5		908358 Cap Screw, 1/2 - 13 x 1-3/4 Hex Hd	2	320001-
6		920085 Lock Washer, 1/2	2	
7		WORM, Steering	1	320001-
8	1K-759-B	937020 Key, 3/16 x 1 Woodruff	1	
9	1H-764	SHIM, Steering Worm Bearing (.0156")		
9	1H-765	SHIM, Steering Worm Bearing (.004")	Req.	320001-
9	1H-766	SHIM, Steering Worm Bearing (.002")	Req.	320001-
10		POST, Front Axle (Order 1KS-712-L)	1	320001-4501348
11		S-3102 Cap Screw, 7/16 - 20 x 4-1/2 Hex Hd	1	
12		920084 Lock Washer, 7/16	1	
13		915003 Nut, 7/16 - 20 Hex	1	
10	1K-1151-A	POST, Front Axle (Order 1KS-712-L) (Same hardware material as 1K-1151)	1	4501349-
14	1K-1152	KEY, Front Axle (Not furnished separately)	1	320001-
15	1K-1158	SECTOR, Steering	1	320001-
16		915093 Nut, 1-1/8 - 12 Hex Jam	1	
17	1K-1159	ECCENTRIC, Front Axle Post	1	320001-
18		S-3070 Cap Screw, 5/16 - 18 x 1/2 Fill Hd	1	
19	1H-1160	SEAL, Front Axle Post Eccentric	1	320001-
20		COVER, Steering Gear Housing	1	320001-
21		908315 Cap Screw, 5/16 - 18 x 3/4 Hex Hd	4	
22		920082 Lock Washer, 5/16	4	
23	1B-1163	FELT, Front Axle Post	1	320001-
24	1B-1164	RETAINER, Front Axle Post Felt	1	320001-
25	1H-1166-A	GASKET, Steering Gear Housing Cover	1	320001-
26	1H-1172	LOCK WASHER, Steering Post Nut	1	320001-
27	1H-1173	SHIM, Front Steering Post (.0312")	Req.	320001-
27	1H-1174	SHIM, Front Steering Post (.007")	Req.	320001-
28		COLUMN, Front Axle	1	320001-
29		908387 Cap Screw, 5/8 - 11 x 2-1/4 Hex Hd	6	
30		920087 Lock Washer, 5/8	6	
31		S-1900 Plug, 1/2 Std Pipe	1	
32		939017 Elbow, 1/8 PT x 67-1/2° Alemite Hydr	1	
33	1KS-5018	BEARING, Front Steering Post (Hyatt KB-11480-Z)	1	320001-
34	1HS-5019	BEARING, Steering Worm (Timken 21BC-24)	2	320001-

FRONT STEERING MECHANISM (STANDARD AND ORCHARD)

STANDARD AND ORCHARD



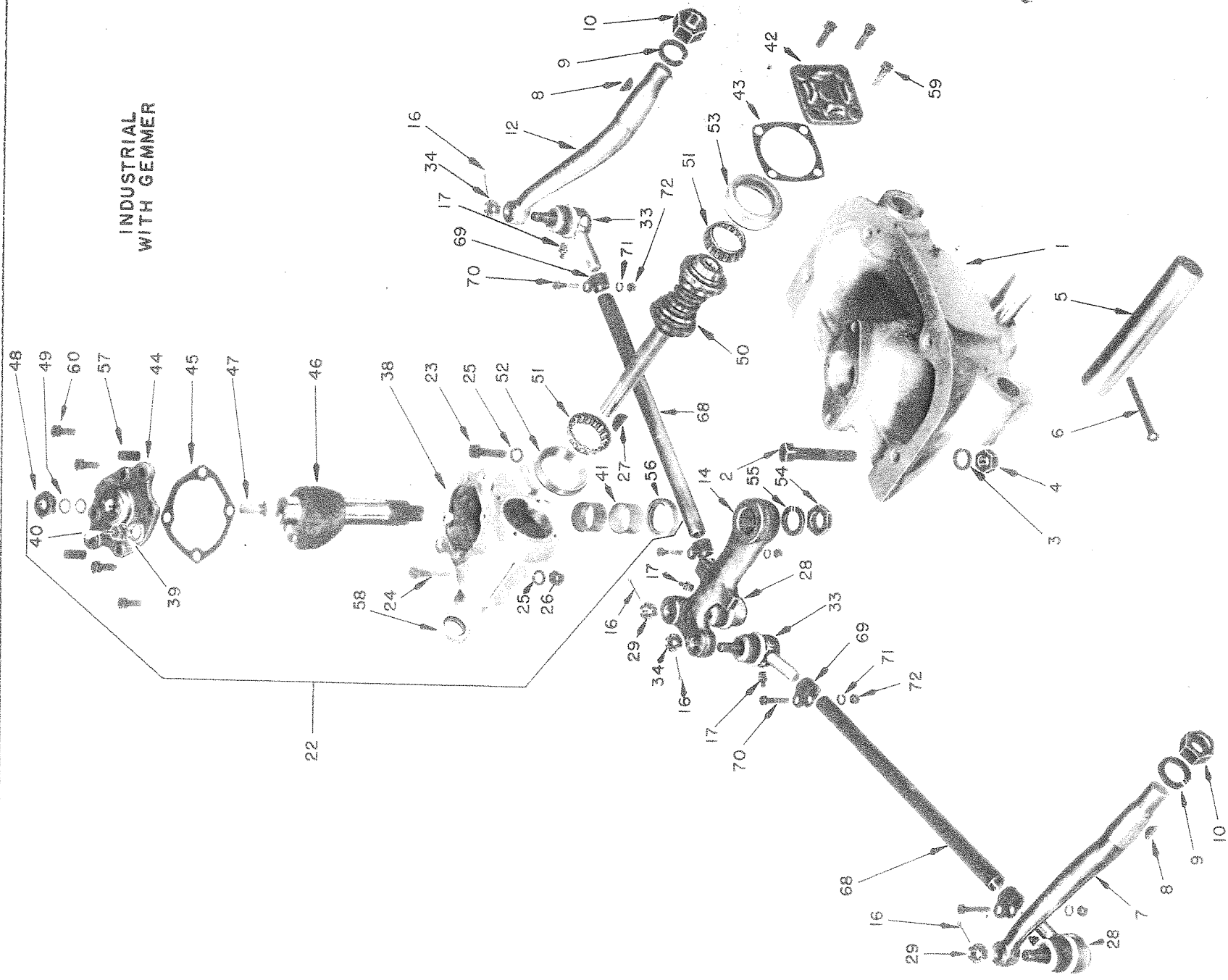
SECTION VIII  
STEERING GEAR

## 77 PARTS BOOK

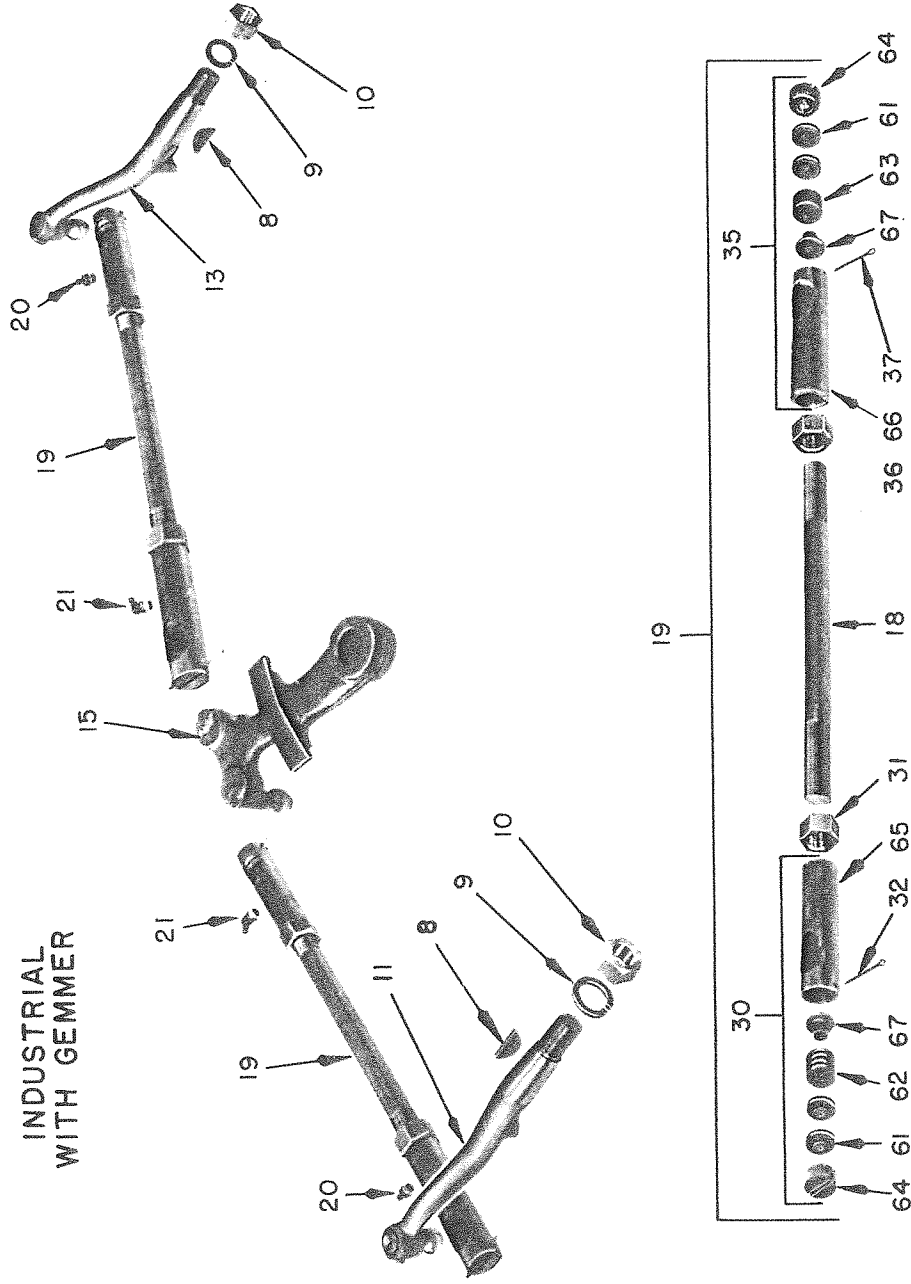
## FRONT STEERING MECHANISM (STANDARD AND ORCHARD)

Ref. No.	Part Number	Description	No. Req.	Standard Part Number
1	IKS-501	BOLSTER With Pivot, Front Axle	1	269001-272115
2		908389 Cap Screw, 5/8 - 11 x 2-3/4 Hex Hd	4	
3		920087 Lock Washer, 5/8	4	
4		915117 Nut, 5/8 - 11 Hex	4	
5		S-1900 Plug, 1/2 Std Pipe	1	
6	IKR-502	PIVOT, Front Axle	1	269001-272115
7		S-650 Rivet, 3/8 x 2-5/8 Button Hd	1	
8	IK-715	ARM, Right Steering Knuckle	1	269001-272115
9		937022 Key, 1/4 x 1 Woodruff	1	
10		920091 Lock Washer, 7/8	1	
11		915008 Nut, 7/8 - 14 Hex	1	
12	IK-717	ARM, Left Steering Knuckle	1	269001-272115
9		937022 Key, 1/4 x 1 Woodruff	1	
10		920091 Lock Washer, 7/8	1	
11		915008 Nut, 7/8 - 14 Hex	1	
13	IK-722	ARM, Steering Sector	1	269001-272115
14		920093 Lock Washer, 1	1	
15		S-144 Nut, 1 - 14 Hex Jam	1	
16	IMS-724	ROD Assembly, Steering Knuckle Tie	2	269001-272115
17		932009 Cotter Pin, 3/32 x 1	4	
		939001 Fitting, 1/8 PT Alemite Hydr Str	4	
18	IKSR-750-B	SAGINAW GEAR Conversion Package	1	269001-272115
19	IH-752	SEAL, Steering Worm (Felt)	2	269001-272115
19	IK-752	SEAL, Steering Sector Felt	1	269001-272115
20	IH-754	RETAINER, Steering Worm Seal	1	269001-272115
21	IK-757	COVER, Steering Worm Bearing	1	269001-272115
22		908359 Cap Screw, 1/2 - 13 x 2 Hex Hd	2	
23		920085 Lock Washer, 1/2	2	
24	IK-759-A	WORM, Steering	1	269001-272115
25		937020 Key, 3/16 x 1 Woodruff	1	
26	IC-764	GASKET, Steering Gear Case Cover	1	269001-272115
27	IH-764	SHIM, Steering Worm Bearing (.0156")	Req.	269001-272115
27	IH-765	SHIM, Steering Worm Bearing (.004")	Req.	269001-272115
27	IH-766	SHIM, Steering Worm Bearing (.002")	Req.	269001-272115
28	IK-1158-A	SECTOR And Shaft, Steering	1	269001-272115
29	IKS-1160	SOCKET Assembly, Tie Rod (RH Thread)	2	269001-272115
30		915633 Nut, 9/16 - 18 Hex	2	
31	IKS-1161	SOCKET Assembly, Tie Rod (LH Thread)	2	269001-272115
30		915633 Nut, 9/16 - 18 Hex	2	
32	IK-1162	COVER, Steering Gear Case	1	269001-272115
33		S-1093 Cap Screw, 3/8 - 16 x 1-1/8 Hex Hd	6	
34		820083 Lock Washer, 3/8	6	
35		939017 Fitting, 1/8 PT x 67-1/2 Alemite Hydr Elbow	1	
36	IHS-5019	BEARING, Steering Worm (Timken 21BC-24)	2	269001-272115
37	IM-6958	TIE ROD, Intermediate	2	269001-272115
38	IK-6959	CLAMP, Tie Rod	4	269001-272115
39	IK-6960	BOLT, Tie Rod Clamp	4	269001-272115
40		920082 Lock Washer, 5/16	4	
41		915001 Nut, 5/16 - 24 Hex	4	

FRONT STEERING MECHANISM (INDUSTRIAL WITH GEMMER)



## FRONT STEERING MECHANISM (INDUSTRIAL WITH GEMMER)

INDUSTRIAL  
WITH GEMMER

Ref. No.	Part Number	Description	No. Req.	Industrial Serial Number
1	IKS-501-B	BOLSTER With Pivot, Front Axle	1	403001-403515
2		908390 Cap Screw, 5/8 - 11 x 3 Hex Hd	4	
3		920087 Lock Washer, 5/8	4	
4		915117 Nut, 5/8 - 11 Hex	4	
5	IKR-502-B	PIVOT, Front Axle	1	403001-403515
6		923145 Rivet, 3/8 x 3-1/2 Button Hd	1	
6		or 932572 Groov-Pin, 3/8 x 2-1/2	1	
7	IK-715-B	ARM, Right Steering Knuckle	1	403001-403010
8		937019 Key, 1/4 x 7/8 Woodruff	1	
9		920093 Lock Washer, 1	1	
10		915009 Nut, 1 - 14 Hex	1	
11	IKS-715-C	ARM Assembly, Right Steering Knuckle	1	403011-403290
8		937019 Key, 1/4 x 7/8 Woodruff	1	
9		920093 Lock Washer, 1	1	
10		915009 Nut, 1 - 14 Hex	1	
11	IKS-715-E	ARM Assembly, Right Steering Knuckle	1	403291-403515
8		937019 Key, 1/4 x 7/8 Woodruff	1	
9		920093 Lock Washer, 1	1	
10		915009 Nut, 1 - 14 Hex	1	



## FRONT STEERING MECHANISM (INDUSTRIAL WITH GEMMER)

Ref. No.	Part Number	Description	No. Req.	Industrial Ser'dl Number
12	IK-717-B	ARM, Left Steering Knuckle 937019 Key, 1/4 x 7/8 Woodruff 920093 Lock Washer, 1 915009 Nut, 1 - 14 Hex	1 1 1 1	403001-403010
13	IKS-717-C	ARM Assembly, Left Steering Knuckle 937019 Key, 1/4 x 7/8 Woodruff 920093 Lock Washer, 1 915009 Nut, 1 - 14 Hex	1 1 1 1	403011-403290
13	IKS-717-E	ARM Assembly, Left Steering Knuckle 937019 Key, 1/4 x 7/8 Woodruff 920093 Lock Washer, 1 915009 Nut, 1 - 14 Hex	1 1 1 1	403291-403515
14	IK-722-A	ARM, Steering Sector	1	403001-403010
15	IKAS-722-B	ARM Assembly, Steering Sector	1	403011-403290
15	IKS-722-C	ARM Assembly, Steering Sector	1	403291-403515
16	IKS-724-B	ROD Assembly, Steering Knuckle Tie 932009 Cotter Pin, 3/32 x 1 939001 Fitting, 1/8 PT Alemite Hydr Strt	2 4 4	403001-403010
18	IK-724-D	ROD, Steering Knuckle Tie	2	403011-403515
19	IKS-724-D	ROD Assembly, Steering Knuckle Tie 939001 Fitting, 1/8 PT Hydr Strt Grease 939017 Fitting, 1/8 PT x 67-1/2° Hydr Elbow Grease	2 2 2	403011-403515
22	IKS-750-A	GEAR Assembly, Steering - Gemmer 37935 908357 Cap Screw, 1/2 - 13 x 1-1/2 Hex Hd 908509 Cap Screw, 1/2 - 20 x 2-1/4 Hex Hd 920085 Lock Washer, 1/2 915004 Nut, 1/2 - 20 Hex 937020 Key, 3/16 x 1 Woodruff	1 1 1 2 1 1	403001-403515
28	IKS-1160	SOCKET Assembly, Tie Rod (RH Thread) 915633 Nut, 9/16 - 18 Hex	2 2	403001-403010
30	IAS-1160-A	END Assembly, Tie Rod - Right 915009 Nut, 1 - 14 Hex 932020 Cotter Pin, 1/8 x 1-3/4	2 2 2	403011-403515
33	IKS-1161	SOCKET Assembly, Tie Rod (LH Thread) 915633 Nut, 9/16 - 18 Hex	2 2	403001-403010
35	IKS-1161-B	SOCKET Assembly, Tie Rod - Left S-829 Nut, 1 - 14 Hex 932020 Cotter Pin, 1/8 x 1-3/4	2 2 2	403011-403515
38	IK-6750-A	HOUSING, Steering Gear (Order IKS-6750-A)	1	403001-403515
39	IKS-6750-A	HOUSING (IK-6750-A) With Bushings (IK-6752), Steering Gear	1	403001-403515
40	IKSA-6750-A	HOUSING With Side Cover, Steering Gear	1	403001-403515
41	IK-6751	PLUG, Housing Oil Filler 932000 Cotter Pin, 1/16 x 1/2	1 1	403001-403515
41	IKS-6751	PLUG Assembly, Housing Oil Filler	1	403001-403515
42	IK-6752	BUSHING, Housing	2	403001-403515
43	ID-6753	COVER, Housing Worm	1	403001-403515
43	ID-6754	SHIM, Worm Cover (Thick)	Req.	403001-403515
43	ID-6755	SHIM, Worm Cover (Thin)	Req.	403001-403515
43	ID-6755-A	SHIM, Worm Cover (Extra Thin)	Req.	403001-403515
44	IK-6756	COVER, Housing Cross Shaft (Order IKS-6756)	1	403001-403515

SECTION VIII  
STEERING GEAR

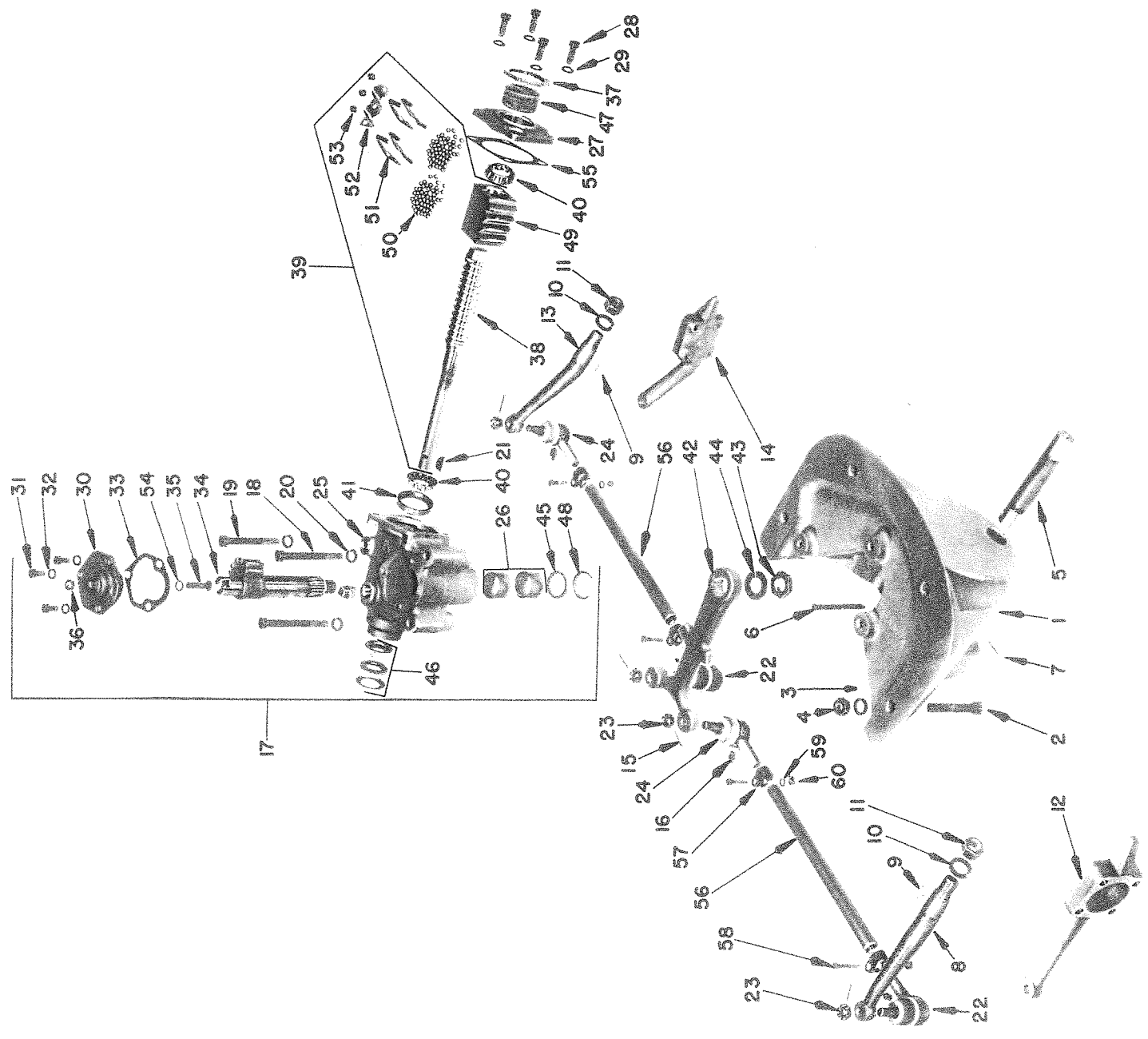
## 77 PARTS BOOK

## FRONT STEERING MECHANISM (INDUSTRIAL WITH GEMMER)

Ref. No.	Part Number	Description	No. Req.	Industrial Serial Number
	IKSR-6756	COVER, Housing Roller Shaft	1	403001-403515
45	ID-6757	GASKET, Housing Cross Shaft Cover	1	403001-403515
46	IKS-6758	SHAFT, Cross	1	403001-403515
47	IK-6763	SCREW, Cross Shaft Adjusting	1	403001-403515
48	IK-6764	NUT, Cross Shaft Adjusting Screw Lock	1	403001-403515
49	IK-6765	RING, Adjusting Screw Packing	2	403001-403515
50	IKS-6767	SHAFT With Worm	1	403001-403515
51	ID-6769	CONE, Worm Roller Bearing	2	403001-403515
52	ID-6770	CUP, Worm Roller Bearing (Upper)	1	403001-403515
53	ID-6771	CUP, Worm Roller Bearing Adjusting (Tinker 36X)	1	403001-403515
54	IF-6774	NUT, Lever Arm	1	403001-403515
55	IF-6775	LOCK WASHER, Lever Arm	1	403001-403515
56	ID-6784	OIL SEAL, Cross Shaft	1	403001-403515
	IK-6787	BUSHING, Shaft Cover (Order IKSR-6756) (Not furnished separately for repairs)	1	403001-403515
57	ID-6788	DOWEL, Cross Shaft Lower	2	403001-403515
58	IK-6803	OIL SEAL, Housing	1	403001-403515
59	IK-6804	SCREW, Worm Cover	4	403001-403515
60	IK-6805	SCREW, Shaft Cover	4	403001-403515
61	IC-6951	SEAT, Tie Rod Ball	8	403011-403515
62	ICA-6952	SPRING, Tie Rod	2	403011-403515
63	IK-6952	SPACER, Tie Rod End	2	403011-403515
64	IC-6953-A	PLUG, Tie Rod Adjusting	4	403011-403515
65	IA-6954-A	SOCKET, Tie Rod - Right	2	403011-403515
66	IK-6955	SOCKET, Tie Rod - Left	2	403011-403515
67	IC-6956	PLUG, Tie Rod Safety	4	403011-403515
68	IK-6958-B	ROD, Intermediate Tie	2	403001-403010
69	IK-6959	CLAMP, Tie Rod	4	403001-403010
70	IK-6960	BOLT, Tie Rod Clamp	4	403001-403010
71		920082 Lock Washer, 5/16	4	
72		915001 Nut, 5/16 - 24 Hex	4	

FRONT STEERING MECHANISM (STD., ORCH. AND IND. WITH SAGINAW)

STANDARD, ORCHARD & INDUSTRIAL  
WITH SAGINAW



SECTION VIII  
STEERING GEAR

## 77 PARTS BOOK

## FRONT STEERING MECHANISM (STD., ORCH. AND IND. WITH SAGINAW)

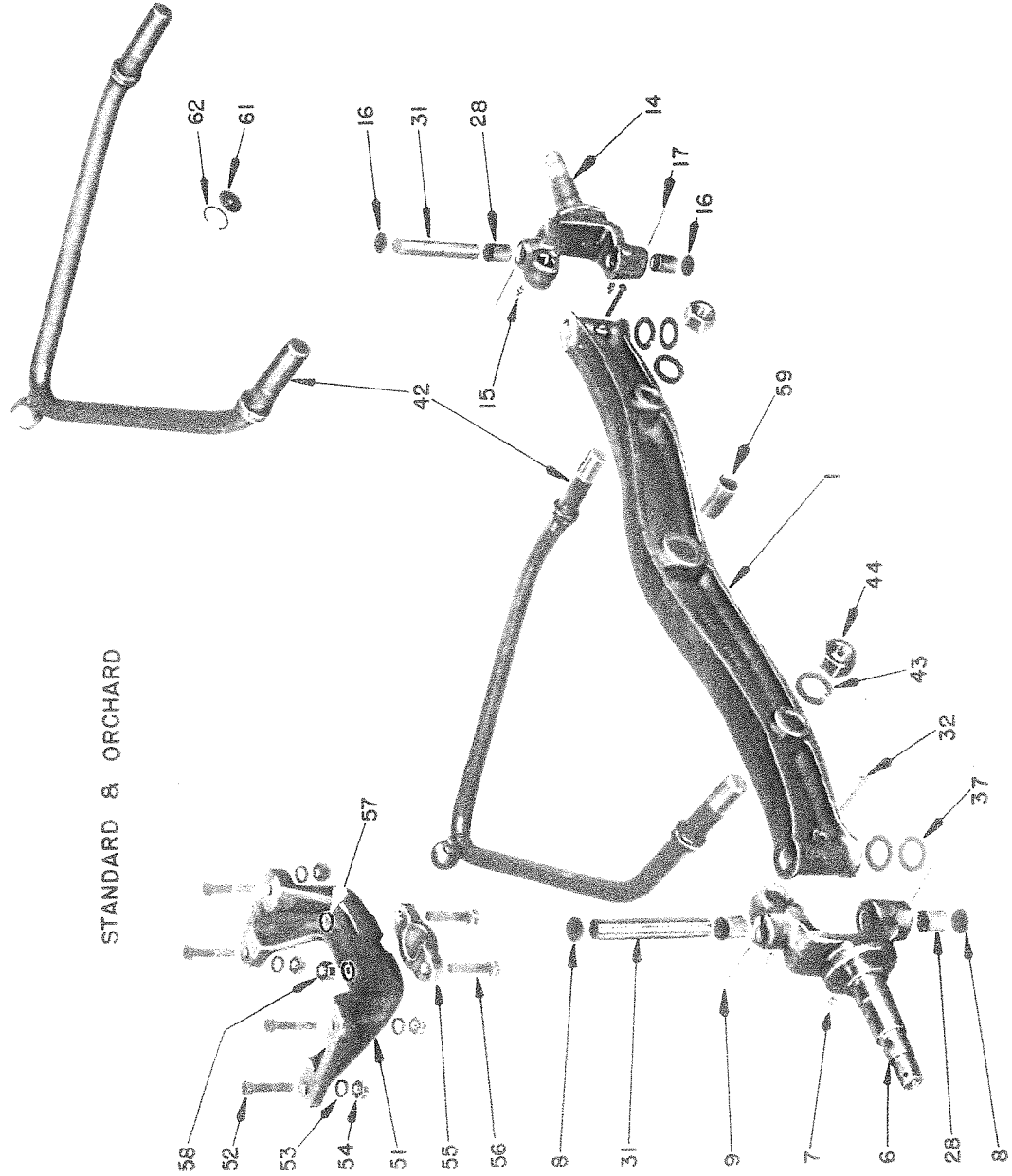
Ref. No.	Part Number	Description	No. Req.	Standard Sedal Number	Industrial Sedal Number
1	1K-501-D	BOLSTER, Front Axle 908389 Cap Screw, 5/8 - 11 x 2-3/4 Hex Hd 920087 Lock Washer, 6/8 915117 Nut, 5/8 - 11 Hex	1 4 4 4	272116-	403516-
5	1K-502-C	PIVOT, Front Axle	1	272116-	403516-
6	1K-503	PIN, Front Axle Pivot 932008 Cotter Pin, 3/32 x 5/8	1 1	272116-	403516-
8	1K-715	ARM, Right Steering Knuckle 937022 Key, 1/4 x 1 Woodruff 920091 Lock Washer, 7/8 915008 Nut, 7/8 - 14 Hex	1 1 1 1	272116-15970	
12	1K-715-F	ARM, Right Steering Knuckle	1		403516-
12	1K-715-G	ARM, Right Steering Knuckle	1	15971-	
13	1K-717	ARM, Left Steering Knuckle 937022 Key, 1/4 x 1 Woodruff 920091 Lock Washer, 7/8 915008 Nut, 7/8 - 14 Hex	1 1 1 1	272116-15970	
14	1K-717-F	ARM, Left Steering Knuckle	1		403516-
14	1K-717-G	ARM, Left Steering Knuckle	1	15971-	
15	1K-724-F	ROD Assembly, Steering Knuckle Tie 932009 Cotter Pin, 3/32 x 1 939001 Fitting, 1/8 PT Hydr Strt Grease	1 1 1 1	272116-15970	
15	1K-724-H	ROD Assembly, Steering Knuckle Tie 932009 Cotter Pin, 3/32 x 1 939001 Fitting, 1/8 PT Strt Grease	2 4 4		403516-15960
15	1K-724-N	ROD Assembly, Steering Knuckle Tie (67-1/2" Tread) 932009 Cotter Pin, 3/32 x 1 939001 Fitting, 1/8 PT Strt Grease	2 4 4		15961-
15	1K-724-P	ROD Assembly, Steering Knuckle Tie (67-1/2" Tread) 932009 Cotter Pin, 3/32 x 1 939001 Fitting, 1/8 PT Strt Grease	2 4 4	15971-	
17	1K-750-B	GEAR Assembly, Steering (Saginaw) S-3150 Cap Screw, 1/2 - 13 x 4-1/4 Hex Hd 908366 Cap Screw, 1/2 - 13 x 3-3/4 Hex Hd 920085 Lock Washer, 1/2 937010 Key, 3/16 Woodruff	1 2 1 3 1	272116-	403516-
22	1K-1160	SOCKET Assembly, Tie Rod (RH Thread) 915033 Nut, 9/16 - 18 Hex	2 2	272116-	403516-
24	1K-1161	SOCKET Assembly, Tie Rod (LH Thread) 915033 Nut, 9/16 - 18 Hex	2 2	272116-	403516-
25	1K-6750-B	HOUSING, Saginaw Steering Gear (Order 1K-6750-B)	1	272116-	403516-
27	1A-6752-A	HOUSING (1K-6750-B) With Bushing (1K-6752-A), Steering Gear S-1900 Plug, 1/2 Std Steel Pipe	1 1	272116-	403516-
28	1K-6752-A	BUSHING, Pitman Shaft (Steering Gear Housing)	1	272116-	403516-
28	1A-6752-A	COVER, Housing End S-1073 Cap Screw, 7/16 - 14 x 1-1/8 Hex Hd 920084 Lock Washer, 7/16	1 4 4	272116-	403516-

## FRONT STEERING MECHANISM (STD., ORCH. AND IND. WITH SAGINAW)

Ref. No.	Part Number	Description	No. Req.	Standard Set/dl Number	Industrial Set/dl Number
30	1A-6756-A	COVER, Housing Side (Order 1AS-6756-A)	1	272116-	403516-
31	1AS-6756-A	COVER (1A-6756-A) With Bushing (1A-6787-A), Housing Side	1	272116-	403516-
32		908330 Cap Screw, 3/8 - 16 x 3/4 Hex Hd	3		
		920083 Lock Washer, 3/8	3		
33	1A-6757-A	GASKET, Side Cover	1	272116-	403516-
34	1K-6758-A	SHAFT And Gear, Pitman	1	272116-	403516-
35	1A-6763-A	ADJUSTER, Lash	1	272116-	403516-
36		915086 Nut, 7/16 - 20 Hex Jam	1		
37	1A-6765-A	NUT, Worm Bearing Adjuster Lock	1	272116-	403516-
38	IKS-6767-A	SHAFT And Worm Assembly, Steering	1	272116-	403516-
39	IKSA-6767-A	SHAFT And Ball Nut Assembly, Steering	1	272116-	403516-
40	1A-6769	BEARING, Worm Thrust	2	272116-	403516-
41	1A-6770	CUP, Worm Thrust Bearing	1	272116-	403516-
42	IK-6772	ARM, Pitman Steering Sector	1	272116-	403516-
42	IK-6772-B	ARM, Pitman Steering Sector	1	272116-	403516-
43	1A-6774-A	NUT, Pitman Arm	1	272116-	403516-
44	1A-6775-A	LOCK WASHER, Pitman Arm	1	272116-	403516-
45	1K-6784	PACKING, Pitman Shaft	1	272116-	403516-
46	1A-6787-A	BUSHING, Pitman Shaft Side Cover (Order 1AS-6756-A) (Not furnished separately for repairs)	1	272116-15970	403516-15960
46	IK-6803-A	SEAL, Steering Shaft	1	272116-	403516-
47	1A-6817	ADJUSTER, Worm Bearing	1	272116-	403516-
48	1A-6818	RETAINER, Pitman Shaft Packing	1	272116-	403516-
49	IK-6819	NUT, Ball	1	272116-	403516-
50		S-3741 Ball, 9/32 Dia Hardened Steel	106		
51	IK-6820	GUIDE, Ball Return	4	272116-	403516-
52	IK-6821	CLAMP, Ball Return Guide	1	272116-	403516-
53		S-2560 Fastener Unit, 1/4 - 28 x 5/16 Slotted Full Hd Sems Int	3		
54	1AS-6822	KIT, Lash Adjuster Shim	1	272116-	403516-
55	1A-6823	GASKET, End Cover	1	272116-	403516-
56	IK-6958-C	ROD, Intermediate Tie	2	272116-15970	403516-15960
56	IK-6958-D	ROD, Intermediate Tie	2		15961-
56	IK-6958-E	ROD, Intermediate Tie	2		403516-15960
56	IK-6958-F	ROD, Intermediate Tie	2		15961-
57	IK-6959	CLAMP, Tie Rod	4	272116-	403516-15960
57	IK-6959-A	CLAMP, Tie Rod	4		15961-
58	IK-6960	BOLT, Tie Rod Clamp	4	272116-	403516-15960
59		920082 Lock Washer, 5/16	4		
60		915001 Nut, 5/16 - 24 Hex	4		
58	IK-6960-A	BOLT, Tie Rod Clamp	4		15961-
59		920083 Lock Washer, 3/8	4		
60		915002 Nut, 3/8 - 24 Hex	4		



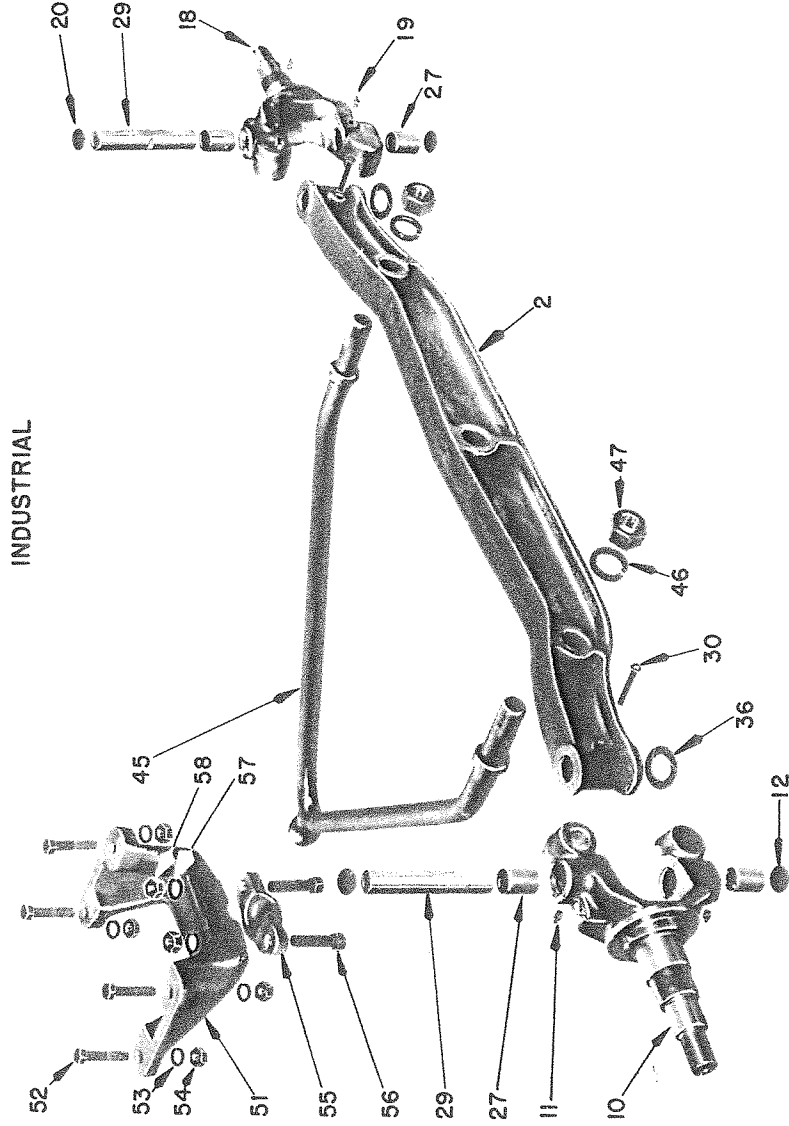
FRONT AXLE (STANDARD, ORCHARD AND INDUSTRIAL)



STANDARD & ORCHARD

Ref. No.	Part Number	Description	No. Req.	Standard Serial Number	Industrial Serial Number
1	1FR-712	AXLE, Front	1	269001-272115	
	1MS-712	AXLE With Steering Knuckles, Front	1	269001-272115	
1	1KRS-712-F	AXLE, Front	1	272116-15970	
	1KS-712-F	AXLE With Steering Knuckles, Front	1	272116-15970	
2	1KRS-712-C	AXLE, Front	1		403001-403010
	1KS-712-C	AXLE With Steering Knuckles, Front	1		403001-403010
	1KS-712-G	AXLE With Bushing (1K-748-D), Front	1		403011-403515
3	1KS-712-J	AXLE With Bushing (1K-748-D), Front	1		403516-
4	1KSA-712-J	AXLE, Spindles and Bearings, Front	1		403516-
5		339017 Fitting, 1/8 x 67-1/2° Elbow Grease S-1905 Plug, 3/8 Steel Pipe	4		
			2		

## FRONT AXLE (STANDARD, ORCHARD AND INDUSTRIAL)

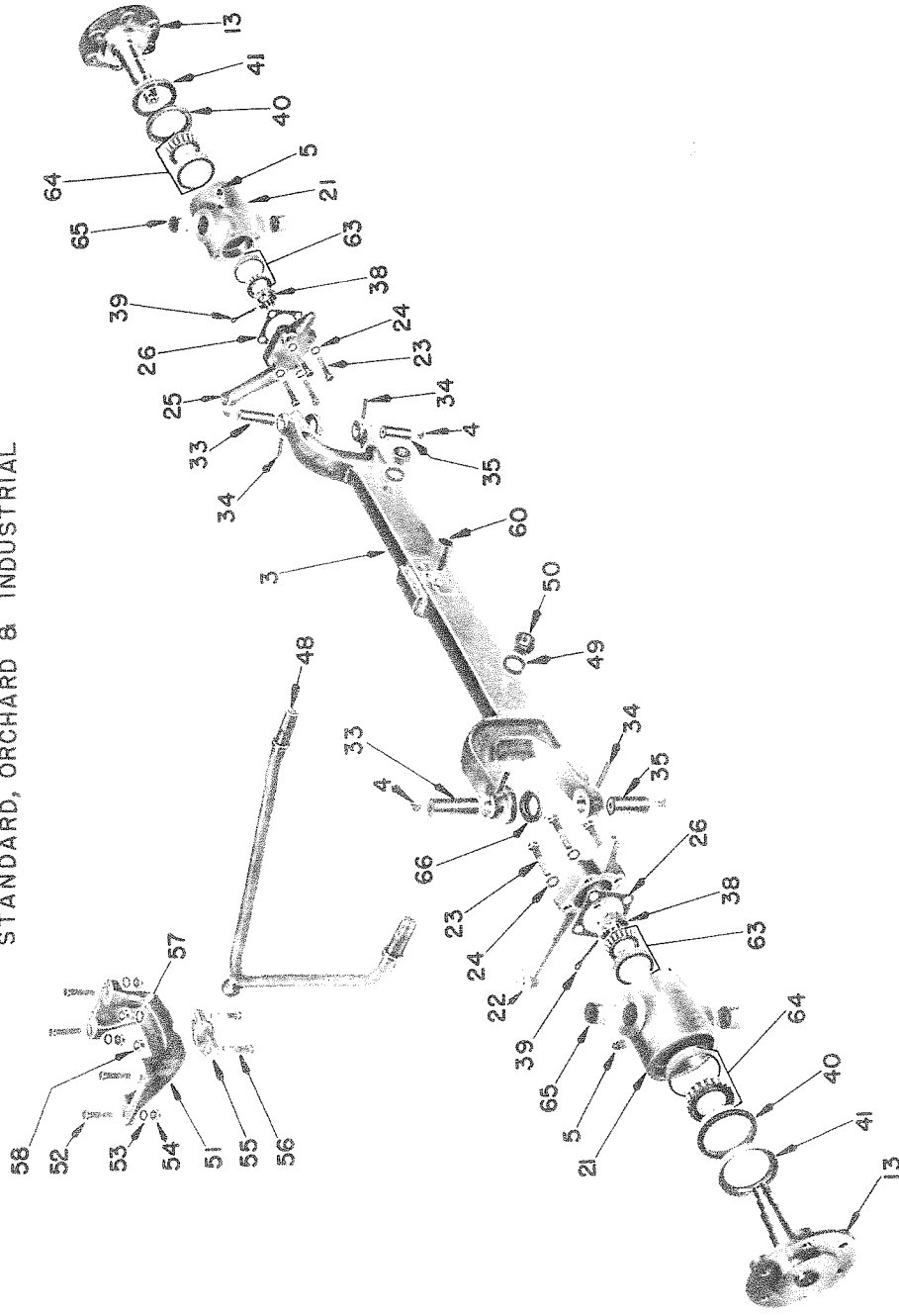


Ref. No.	Part Number	Description	No. Req.	Standard Ser'd Number	Industrial Ser'd Number
3	1KSRA-712-J	AXLE And Wheel Change-Over Package, Front	1		403001-
	1KS-712-M	AXLE With Bushing (1K-748-D), Front (67-1/2" Tread)	1		403516-
4	1KSA-712-M	AXLE, Spindles And Bearings Assembly, Front (67-1/2" Tread)	1		403516*
5		939017 Fitting, 1/8 x 67-1/2" Elbow Grease	4		
		S-1905 Plug, 3/8 Std Pipe	2		
3	1KSRA-712-M	AXLE And Wheel Change-Over Package, Front (67-1/2" Tread)	1		403001-
	1KS-712-P	AXLE With Bushing (1K-748-D), Front	1		15971-
4	1KSA-712-P	AXLE, Spindles And Bearings Assembly, Front	1	15971-	
5		939017 Fitting, 1/8 x 67-1/2" Elbow Grease	4		
		S-1905 Plug, 3/8 Std Pipe	2		
6	1K-713	KNUCKLE, Right Steering (Order 1KS-713)	1	269001-15970	
7	1KS-713	KNUCKLE (1K-713) With Bushings (1D-719), Right Steering	1	269001-15970	
8		939001 Fitting, 1/8 Sirt Grease	2		
9		935020 Plug, 1-3/8 Dia Welch Expansion	2		
		938022 Cotter Pin, 1/8 x 2-1/2	2		
10	1K-713-B	KNUCKLE, Right Steering (Order 1KS-713-B)	1		403001-403515
11	1KS-713-B	KNUCKLE (1K-713-B) With Bushing (1A-719), Right Steering	1		403001-403515
12		939001 Fitting, 1/8 Sirt Grease	2		
		935022 Plug, 1-1/2 Dia Welch Expansion	2		
13	1K-713-G	SPINDLE, Steering Knuckle	2	15971-	403516-



## FRONT AXLE (STANDARD, ORCHARD AND INDUSTRIAL)

STANDARD, ORCHARD &amp; INDUSTRIAL



Ref. No.	Part Number	Description	No. Req.	Standard Ser'cl Number	Industrial Ser'cl Number
14	1K-714	KNUCKLE, Left Steering (Order 1KS-714)	1	269001-15970	
15	1KS-714	KNUCKLE (1K-714) With Bushings (1D-719), Left Steering 939001 Fitting, 1/8 PT Srt Grease	1	269001-15970	
16		935020 Plug, 1-3/8 Dia Welch Expansion	2		
17		S-1464 Cotter Pin, 1/8 x 2-1/2	2		
18	1K-714-B	KNUCKLE, Left Steering (Order 1KS-714-B)	1		403001-403515
19	1KS-714-B	KNUCKLE (1K-714-B) With Bushings (1A-719), Left Steering 939001 Fitting, 1/8 Srt Grease	1		403001-403515
20		935022 Plug, 1-1/2 Dia Welch Expansion	2		
21	1K-714-C	CARRIER, Front Axle Spindle	2	15971-	403516-
22	1K-715-F	ARM, Right Steering Knuckle 908360 Cap Screw, 1/2 - 13 x 2-1/4 Hex Hd	1		403516*
23		920085 Lock Washer, 1/2	4		
24			4		
22	1K-715-G	ARM, Right Steering Knuckle 908360 Cap Screw, 1/2 - 13 x 2-1/4 Hex Hd	1		403516*
23		920085 Lock Washer, 1/2	4		
24			4		
25	1K-717-F	ARM, Left Steering Knuckle 908360 Cap Screw, 1/2 - 13 x 2-1/4 Hex Hd	1		403516*
23		920085 Lock Washer, 1/2	4		
24			4		
25	1K-717-G	ARM, Left Steering Knuckle 908360 Cap Screw, 1/2 - 13 x 2-1/4 Hex Hd	1		403516*
23		920085 Lock Washer, 1/2	4		
24			4		

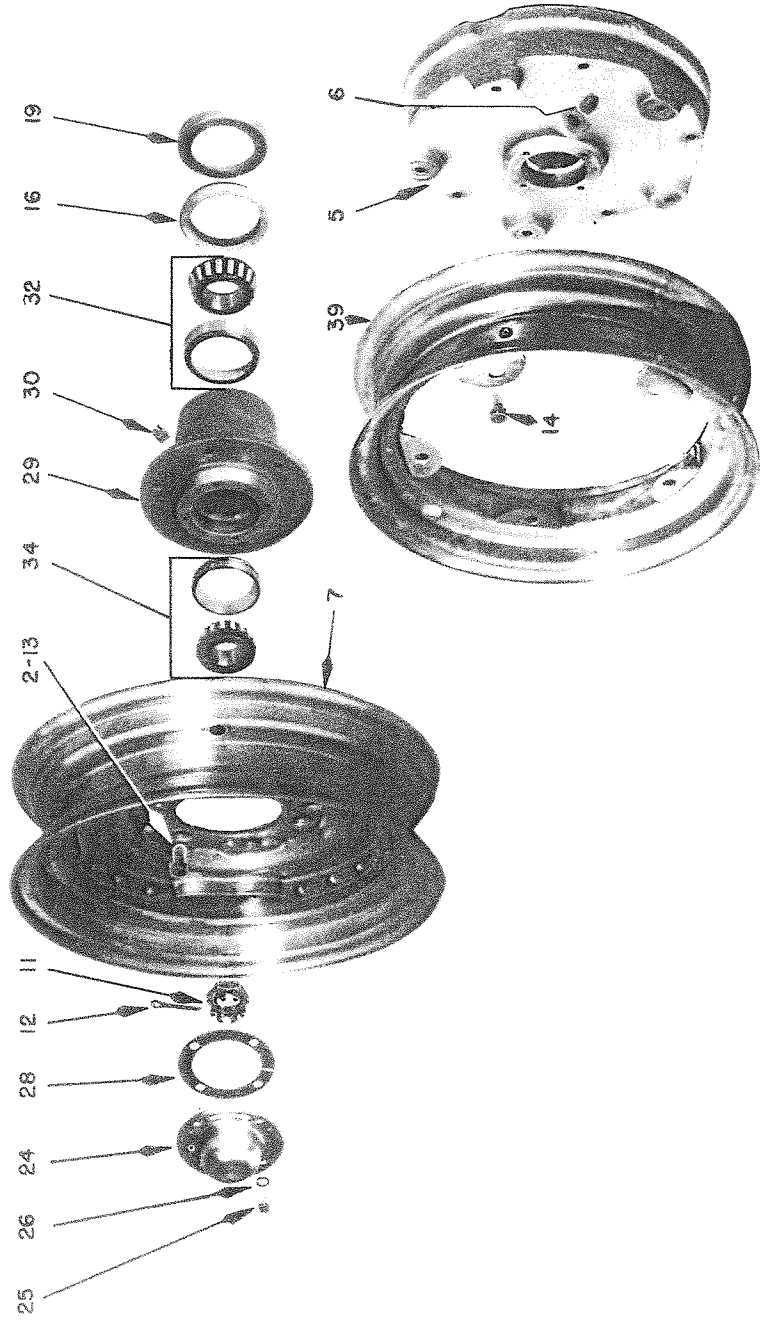
SECTION IX  
FRONT END EQUIPMENT

## 77 PARTS BOOK

## FRONT AXLE (STANDARD, ORCHARD AND INDUSTRIAL)

Ref. No.	Part Number	Description	No. Req.	Standard Set of Number	Industrial Set of Number
26	1K-718-A	GASKET, Steering Knuckle Spindle Carrier	2	15971-	403516-
27	1A-719	BUSHING, Steering Knuckle	4		403001-403515
28	1D-719	BUSHING, Steering Knuckle	4	269001-15970	
29	1AR-720	PIVOT, Steering Knuckle	2		403001-403515
30		923140 Rivet, 3/8 x 2 Button Hd	2		
31	1DR-720-A	PIVOT, Steering Knuckle	2	269001-15970	
32		923140 Rivet, 3/8 x 2 Button Hd	2		
33	1K-720-A	PIVOT, Spindle Carrier Upper	2	15971-	403516-
34		S-1379 Pin, 3/8 x 1-3/4 Roll	2		
35	1K-720-B	PIVOT, Spindle Carrier Lower	2	15971-	403516-
36		S-1379 Pin, 3/8 x 1-3/4 Roll	2		
37	1A-727	WASHER, Steering Knuckle Pivot	2		403001-403515
38	1F-727	WASHER, Steering Knuckle Pivot	4	269001-15970	
39	1K-731-A	NUT, Steering Knuckle Spindle	2	15971-	403516-
40		932048 Cotter Pin, 1/4 x 2	2		
41	1K-737-A	SEAL, Front Wheel	2	15971-	403516-
42	1K-738-A	CUP, Front Wheel Seal	2	15971-	403516-
43	1MS-741	ROD And Ball, Front Axle Stay	1	269001-272115	403001-403515
44		920095 Lock Washer, 1-1/8	2		
45		915010 Nut, 1-1/8 - 12 Hex	2		
46	1KS-741-D	ROD And Ball, Front Axle Stay	1	272116-15970	
47		920097 Lock Washer, 1-1/4	2		
48		915011 Nut, 1-1/4 - 12 Hex	2		
49	1KS-741-B	ROD And Ball, Front Axle Stay	1		403001-403515
50		920097 Lock Washer, 1-1/4	2		
51		915011 Nut, 1-1/4 - 12 Hex	2		
52	1KS-741-F	ROD Assembly, Front Axle Stay	1	15971-	403516-
53		920097 Lock Washer, 1-1/4	2		
54		915011 Nut, 1-1/4 - 12 Hex	2		
55	1K-743	SOCKET, Stay Rod Ball	1	269001-	403001-
56		908390 Cap Screw, 5/8 - 11 x 3 Hex Hd	4		
57		920087 Lock Washer, 5/8	4		
58		915117 Nut, 5/8 - 11 Hex	4		
59	1A-744	CAP, Stay Rod Ball Socket	1	269001-	403001-
60		908403 Cap Screw, 3/4 - 10 x 3 Hex Hd	2		
61		920089 Lock Washer, 3/4	2		
62		915118 Nut, 3/4 - 10 Hex	2		
63	1K-748-C	BUSHING, Front Axle Pivot	1	272116-15970	
64	1K-748-D	BUSHING, Front Axle Pivot	1	15971-	403516-
65	1KS-5013	BEARING, Spindle Roller - Inner (Timken 14138A-14274)	2	15971-	403516-
66	1KS-5014	BEARING, Spindle Roller - Outer (Timken 28580-28521)	2	15971-	403516-
67	1KS-5038	BEARING, Needle Roller (Torrington M-20201)	4	15971-	403516-
68	1KS-5039	BEARING, Roller Thrust (Timken T-126)	2	15971-	403516-

FRONT WHEELS

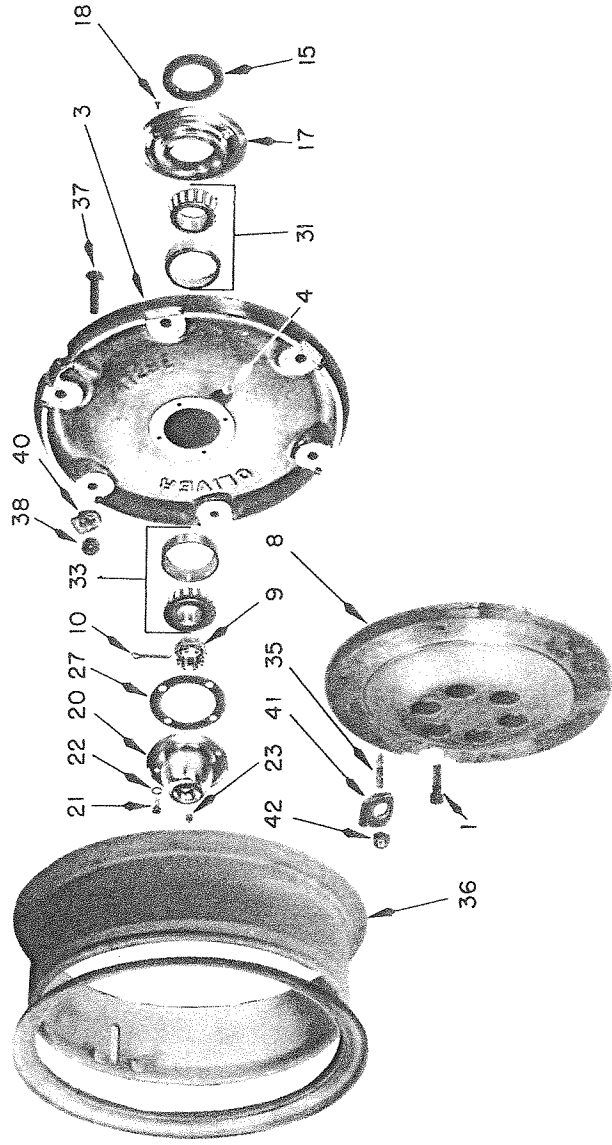


Ref. No.	Part Number	Description	No. Req.	Row Crop Serial Number	Standard Serial Number	Industrial Serial Number
1	1K-706	BOLT, Front Wheel	12			403516-
2	1H-706-A	BOLT, Front Wheel (With 1KS-729-A and 1KS-729-H)	12		15971-	
3	1A-729-E	WHEEL, Front	2			403001-403515
4	1K-729	S-1921 Plug, 1/8 Slotted Hdless Pipe	2			
5	1K-729	WHEEL, Front	2	341034-	272881-15970	
6	1KS-729-A	S-1905 Plug, 3/8 Std Pipe	2			
7	1KS-729-A	DISC And Rim Assembly, Front Wheel (For 6.00-16 Tire) (Pressed Steel)	2	320001-341033	269001-272880 15971-	
7	1KS-729-H	DISC And Rim Assembly, Front Wheel (For 7.50-18 Tire) (Pressed Steel) (Standard on Orchard starting with Tractor Serial Number 15971-)	2		15971-	
8	1K-729-F	WHEEL, Front	2			403516-
9	1A-731-C	NUT, Front Wheel Bearing	2			403001-403515-
10	1B-731-A	S-1459 Cotter Pin, 7/32 x 2-1/4	2			
11	1B-731-A	NUT, Front Wheel Bearing	2	320001-	269001-15970	
12	1K-736	S-32047 Cotter Pin, 1/4 x 1-3/4	2			
13	1K-736	BOLT, Front Wheel (With 1KS-729-A)	12	320001-341033	269001-272880	
14	1K-736	BOLT, Front Wheel Rim (With 1K-729)	10	341034-	272881-15970	
15	1A-737-A	WASHER, Front Wheel Felt	4			403001-403515

SECTION IX  
FRONT END EQUIPMENT

77 PARTS BOOK

FRONT WHEELS

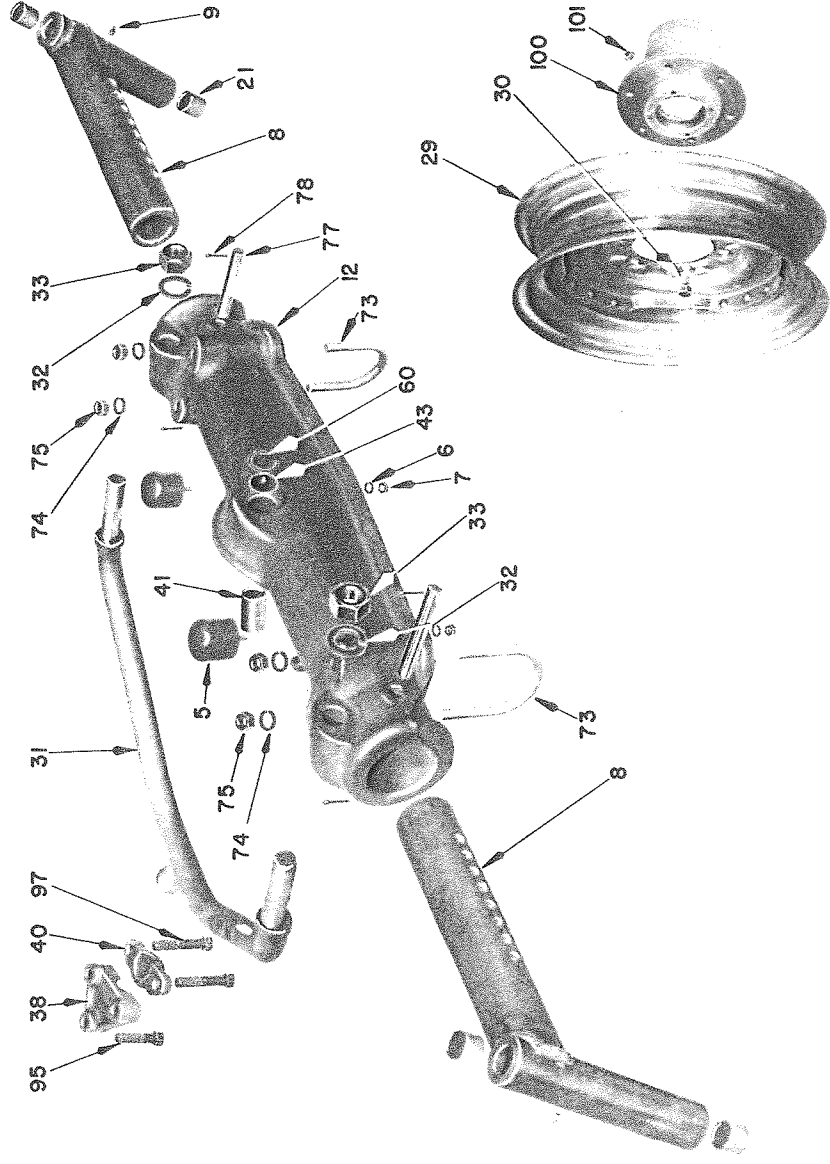


Ref. No.	Part Number	Description	No. Req.	Row Crop Serial Number	Standard Serial Number	Industrial Serial Number
16	1K-737	SEAL, Front Wheel	2	320001-	269001-15970	403001-403515
17	1A-738-B	RETAINER, Front Wheel Felt Washer 908819 Screw, 1/4 - 20 x 1/2 Inch	2			
18			6			
19	1K-738	CUP, Front Wheel Bearing Seal Wearing	2	320001-	269001-15970	403001-403515
20	1A-739-C	CAP, Front Wheel Hub 908314 Cap Screw, 5/16 - 18 x 5/8 Hex Hd	2			
21		920082 Lock Washer, 5/16	8			
22		939001 Fitting, 1/8 PT Alemite Hydr Strt	8			
23			2			
24	1K-739	CAP, Front Wheel Hub 908314 Cap Screw, 5/16 - 18 x 5/8 Hex Hd	2	320001-	269001-15970	
25		920082 Lock Washer, 5/16	8			
26			8			
27	1A-740	GASKET, Front Wheel Hub Cap	2			403001-403515
28	1K-740	GASKET, Front Wheel Hub Cap	2	320001-	269001-15970	
29	1K-1176	HUB, Front Wheel S-1905 Plug, 3/8 Std Pipe	2	320001-341033	269001-272880	
30			2		269001-	
	1H-1245-A	WEIGHT, Front Wheel (One Weight per Wheel) (For pressed steel wheel) 908361 Cap Screw, 1/2 - 13 x 2-1/2 Hex Hd 920011 Washer, 1/2 Plain 920085 Lock Washer, 1/2 915115 Nut, 1/2 - 13 Hex	2			
			4			
			4			
			4			
	1H-1245-A	WEIGHT, Front Wheel (Two Weights per Wheel) (For pressed steel wheel) S-3091 Cap Screw, 1/2 - 13 x 4-3/4 Hex Hd 920011 Washer, 1/2 Plain 920085 Lock Washer, 1/2 915115 Nut, 1/2 - 13 Hex	4			
			4			
			8			
			4			
			4			
31	1AS-5013	BEARING, Front Wheel Roller - Inner (Timken 529X-522)	2			403001-403515
32	1BS-5013-A	BEARING, Front Wheel Roller - Inner (Timken 26862-26820)	2	320001-	269001-15970	

## FRONT WHEELS

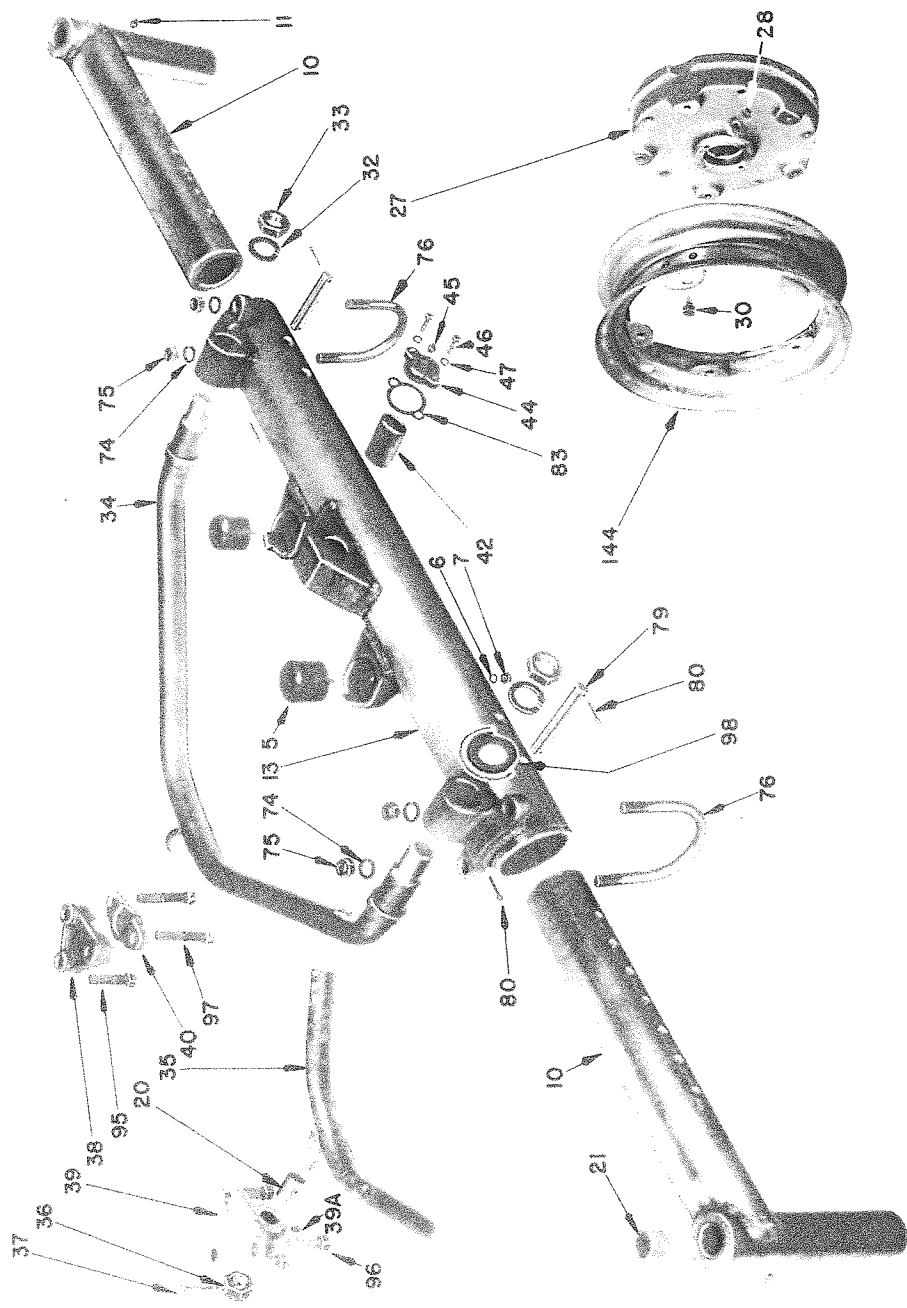
Ref. No.	Part Number	Description	No. Req.	Row Crop Set'd Number	Standard Serial Number	Industrial Serial Number
33	1AS-5014-A	BEARING, Front Wheel Roller - Outer (Timken 417-414)	2			403001-403515
34	1BS-5014-A	BEARING, Front Wheel Roller - Outer (Timken 2879-2820)	2	32000 P-	269001-15970	403516-
35	1D-7006	STUD, Rim Clamp	12			403516-
36	1AS-7009-A	RIM, Front Wheel (7.00-20 Tire)	2			403001-403515
37		900928 Bolt, 5/8 - 11 x 2-1/2 Mach	12			
38		915439 Nut, 5/8 - 11 Hex	12			
36	1KS-7009-C	RIM, Front Wheel (7.00-20 Tire)	2			403516-
39	1KS-7009	RIM, Front Wheel (5.50-16 Tire or 6.00-16 Tire) (With 1K-729)	2	341034-	272881-15970	
39	1KS-7009-A	RIM, Front Wheel (7/50-16 Rib Tire) - Orchard (With 1K-729) (Tractor Serial Number 272881-15970)	2			
40	1D-7011	CLAMP, Rim	12			403001-403515
41	1K-7011-C	CLAMP, Rim	12			403516-
42		915439 Nut, 5/8 - 11 Hex	12			

## FOUR WHEEL ADJUSTABLE TREAD (ROW CROP)



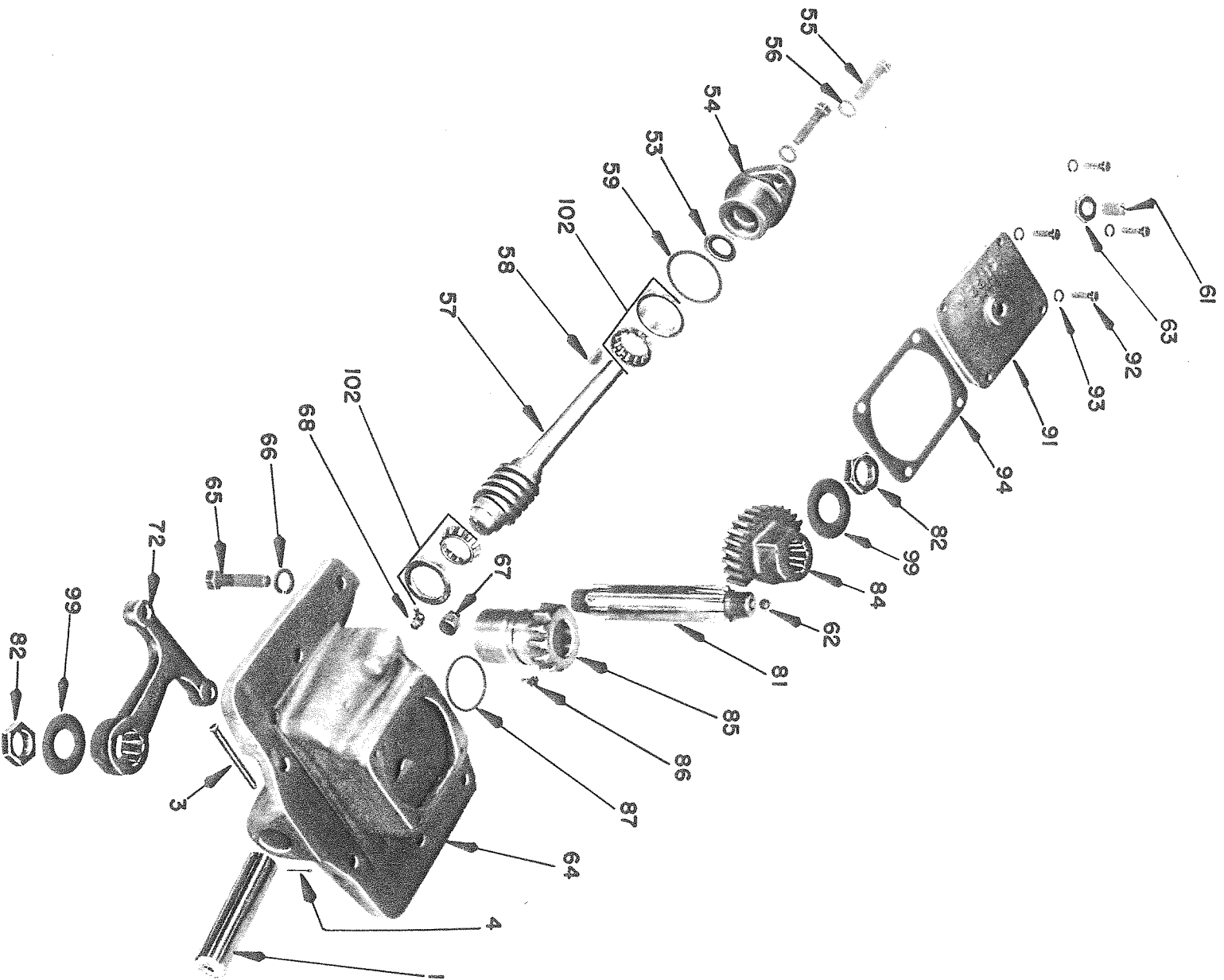
Ref. No.	Part Number	Description	No. Req.	Row Crop Serial Number
1	1K-502-A	PIVOT, Front Axle	1	320001-336179
2	1K-502-D	PIVOT, Front Axle	1	336180-
3	1K-503	PIN, Front Axle Pivot	1	320001-
4		932008 Cotter Pin, 3/32 x 3/4	1	
5	1K-504	BUMPER, Front Axle	2	320001-
6		920083 Lock Washer, 3/8	2	
7		915113 Nut, 3/8 - 16 Hex	2	
8	1KS-710	MEMBER With Bushings (1K-719), Front Axle Outer	2	320001-332450
9		939001 Fitting, 1/8 P.T. Alemite Hydr Srt	2	
10	1KS-710-A	MEMBER With Bushings (1K-719), Front Axle Outer	2	332451-
11		939001 Fitting, 1/8 P.T. Alemite Hydr Srt	2	
12	1K-712-B	MEMBER, Front Axle Center (Order 1KSB-712-D)	1	320001-332450
	1KS-712-B	MEMBER (1K-712-B) With Bushing (1K-748-A), Front Axle Center (Order 1KSB-712-D)	1	320001-332450
	1K-712-D	MEMBER, Front Axle Center (Order 1KS-712-D)	1	332451-
13	1KS-712-D	MEMBER (1K-712-D) With Bushing (1K-748-B), Front Axle Center	1	332451-
	1KSB-712-D	CONVERSION Package, Cast Iron to Tubular Steel Center Member	1	320001-332450

FOUR WHEEL ADJUSTABLE TREAD (ROW CROP)



Ref. No.	Part Number	Description	No. Req.	Row Crop Serial Number
14	1K-713-A	KNUCKLE, Steering	2	32 000 1-
15	1K-715-A	ARM, Right Steering Knuckle	1	32 000 1-336179
16		915093 Nut, 1-1/8 - 12 Hex Jam	1	
15	1K-715-D	ARM, Right Steering Knuckle	1	336180-
16		915093 Nut, 1-1/8 - 12 Hex Jam	1	
17	1K-717-A	ARM, Left Steering Knuckle	1	32 000 1-336179
18		915093 Nut, 1-1/8 - 12 Hex Jam	1	
17	1K-717-D	ARM, Left Steering Knuckle	1	336180-
18		915093 Nut, 1-1/8 - 12 Hex Jam	1	
19	1K-718	FELT, Steering Arm	2	3 20 001-
20	1D-719	BUSHING, Support	1	353583-
21	1K-719	BUSHING, Steering Knuckle Shaft	4	32 0001-
22	1KS-724-C	ROD Assembly, Steering Knuckle Tie	2	32 000 1-332450
23		932009 Cotter Pin, 3/32 x 1	4	
24		939001 Fitting, 1/8 PT. Alemite Hydr Strt	2	
24		939018 Fitting, 1/8 PT x 90° Alemite Hydr Elbow	2	
25		S-1921 Plug, 1/8 Std Halless Slotted Pipe	2	

FOUR WHEEL ADJUSTABLE TREAD (ROW CROP)







SECTION IX  
FRONT END EQUIPMENT

## 77 PARTS BOOK

## FOUR WHEEL ADJUSTABLE TREAD (ROW CROP)

Ref. No.	Part Number	Description	No. Req.	Row Crop Serial Number
22	IKS-724-E	ROD Assembly, Steering Knuckle Tie 932009 Cotter Pin, 3/32 x 1	2	332451-336179
23		939001 Fitting, 1/8 PT Alemite Hydr Strt	4	
24		939018 Fitting, 1/8 PT x 90° Alemite Hydr Elbow	2	
25			2	
22	IKS-724-G	ROD Assembly, Steering Knuckle Tie 932009 Cotter Pin, 3/32 x 1	2	336180-
23		939001 Fitting, 1/8 PT Alemite Hydr Strt	4	
24		939018 Fitting, 1/8 PT x 90° Alemite Hydr Elbow	2	
25			2	
26	IK-727	WASHER, Steering Knuckle Shaft Thrust	2	320001-
27	IK-729	WHEEL, Front S-1905 Plug, 3/8 Std Pipe	2	325601-
28			2	
29	IKS-729-A	DISC And Rim Assembly, Front Wheel	2	320001-325600
30	IK-736	BOLT, Front Wheel Hub or Rim	10	320001-
31	IKS-741-A	ROD Assembly, Front Axle Stay S-269 Lock Washer, 1-3/8	1	320001-332450
32		915095 Nut, 1-3/8 - 12 Hex Jam	2	
33			2	
34	IKS-741-C	ROD Assembly, Front Axle Stay (Order IKS-741-E) S-269 Lock Washer, 1-3/8	1	332451-
32		915095 Nut, 1-3/8 Hex Jam	2	
33			2	
35	IKS-741-E	ROD Assembly, Front Axle Stay S-269 Lock Washer, 3/8	1	353583-
32		915095 Nut, 1-3/8 - 12 Hex Jam	2	
33		915038 Nut, 1-1/8 - 12 Hex	2	
36		932047 Cotter Pin, 1/4 x 1-3/4	1	
37			1	
	IKSA-741-E	ROD Assembly, Front Axle Stay (Reprints)	1	
38	IK-743-A	SOCKET, Stay Rod Ball	1	320001-353582
39	IK-743-B	SUPPORT, Stay Rod Pivot (Order IKS-743-B)	1	353583-
39A	IKS-743-B	SUPPORT (IK-743-B) With Bushing (ID-719), Stay Rod Pivot 939018 Fitting, 1/8 PT x 85° Elbow Grease	1	353583-
40	1A-744	CAP, Stay Rod Ball Socket	1	320001-353582
41	IK-748-A	BUSHING, Front Axle Pivot	1	320001-332450
42	IK-748-B	BUSHING, Axle Pivot	1	332451-
43	IKS-749-A	PLUG And Alemite Fitting, Front Axle Pivot Bearing	1	320001-332450
44	IK-749-B	CAP, Front Axle Pivot 939001 Fitting, 1/8 PT Alemite Hydr Strt	1	332451-
45		908317 Cap Screw, 5/16 - 18 x 1 Hex Hd	1	
46		920082 Lock Washer, 5/16	2	
47			2	
48	IKS-750-C	GEAR Assembly, Steering (Sagdnaw) S-3150 Cap Screw, 1/2 - 13 x 4-1/4 Hex Hd	1	336180-
49		908366 Cap Screw, 1/2 - 13 x 3-3/4 Hex Hd	2	
50		920085 Lock Washer, 1/2	1	
51		937020 Key, 3/16 x 1 Woodruff	3	
52			1	
53	IK-752-A	SEAL, Steering Worm	1	320001-336179
54	IK-757-A	COVER, Steering Worm Bearing 908358 Cap Screw, 1/2 - 13 x 1-3/4 Hex Hd	1	320001-336179
55		920085 Lock Washer, 1/2	2	
56			2	
57	IK-759-B	WORM, Steering 937020 Key, 3/16 x 1 Woodruff	1	320001-336179
58			1	
59	IF-764	SHIM, Steering Worm Bearing (.0156")	Req.	320001-336179
59	IF-765	SHIM, Steering Worm Bearing (.004")	Req.	320001-336179
59	IF-766	SHIM, Steering Worm Bearing (.002")	Req.	320001-336179

## FOUR WHEEL ADJUSTABLE TREAD (ROW CROP)

Ref. No.	Part Number	Description	No. Req.	Row Crop Sertal. Number
60	1B-912	SNAP RING, Front Axle Pivot Bearing Plug	1	320001-332450
61	1E-1052	SCREW, Steering Gear Adjusting S-2999 Ball, 1/2 Dia Hardened Steel	1	320001-336179
62			1	
63	1E-1053	NUT, Steering Gear Adjusting	1	320001-336179
64	1K-1150	CARRIER, Front Axle 908387 Cap Screw, 5/8 - 11 x 2-1/4 Hex Hd	1	320001-332450
65		920087 Lock Washer, 5/8	6	
66		S-1900 Plug, 1/2 Std Pipe	6	
67		939017 Fitting, 1/8 PT x 67- 1/2 Alemite Hydr Elbow	1	
68			1	
69	1K-1150-A	CARRIER, Front Axle 908387 Cap Screw, 5/8 - 11 x 2-1/4 Hex Hd	1	332451-
70		920087 Lock Washer, 5/8	6	
71			6	
	1KSA-1150-A	SAGINAW GEAR Conversion Package	1	332451-336179
	1KSR-1150-A	SAGINAW GEAR Conversion Package	1	320001-332450
72	1K-1154	ARM, Steering Sector	1	320001-336179
73	1K-1155	U-BOLT, Front Axle 920089 Lock Washer, 3/4	2	320001-332450
74		915007 Nut, 3/4 - 16 Hex	4	
75			4	
76	1K-1155-A	U-BOLT, Front Axle 920089 Lock Washer, 3/4	2	332451-
74		915007 Nut, 3/4 - 16 Hex	4	
75			4	
77	1K-1156	PIN, Front Axle Lock 932035 Cotter Pin, 3/16 x 1-1/4	2	320001-332450
78			4	
79	1K-1156-A	PIN, Axle Lock 932035 Cotter Pin, 3/16 x 1-1/4	2	332451-
80			4	
81	1H-1157	SHAFT, Steering Sector 915093 Nut, 1-1/8 - 12 Hex	1	320001-336179
82			2	
83	1K-1157	GASKET, Axle Pivot Cmp	1	3508471-
84	1K-1158	SECTOR, Steering	1	320001-336179
85	1K-1159-A	ECCENTRIC, Steering Sector Shaft S-3070 Cap Screw, 5/16 - 18 x 1/2 Full Hd	1	320001-336179
86			1	
87	1H-1160	SEAL, Front Axle Post Eccentric	1	320001-336179
88	1KS-1160	SOCKET Assembly, Tie Rod (RH Thread) 915638 Nut, 9/16 - 18 Hex	2	332451-
89			2	
88	1KS-1160-A	SOCKET Assembly, Tie Rod (RH Thread) (Order 1KS-1180) 915638 Nut, 9/16 - 18 Hex	2	320001-332450
89			2	
90	1KS-1161-A	SOCKET Assembly, Tie Rod (Notched) 915638 Nut, 9/16 - 18 Hex	2	320001-332450
89			2	
90	1KRS-1161-A	SOCKET Assembly, Tie Rod (Notched) (Used in 1KSF-1150-A Conversion Package only)	2	
90	1KS-1161-C	SOCKET Assembly, Tie Rod (Notched) 915638 Nut, 9/16 - 18 Hex	2	332451-336179
89			2	
90	1KS-1161-D	SOCKET Assembly, Tie Rod (Notched) 915638 Nut, 9/16 - 18 Hex	2	336180-
89			2	
91	1K-1162-A	COVER, Steering Gear Case 908317 Cap Screw, 5/16 - 18 x 1 Hex Hd	1	320001-336179
92		920082 Lock Washer, 5/16	4	
93			4	
94	1H-1166-A	GASKET, Steering Gear Housing Cover	1	320001-336179

SECTION IX  
FRONT END EQUIPMENT

## 77 PARTS BOOK

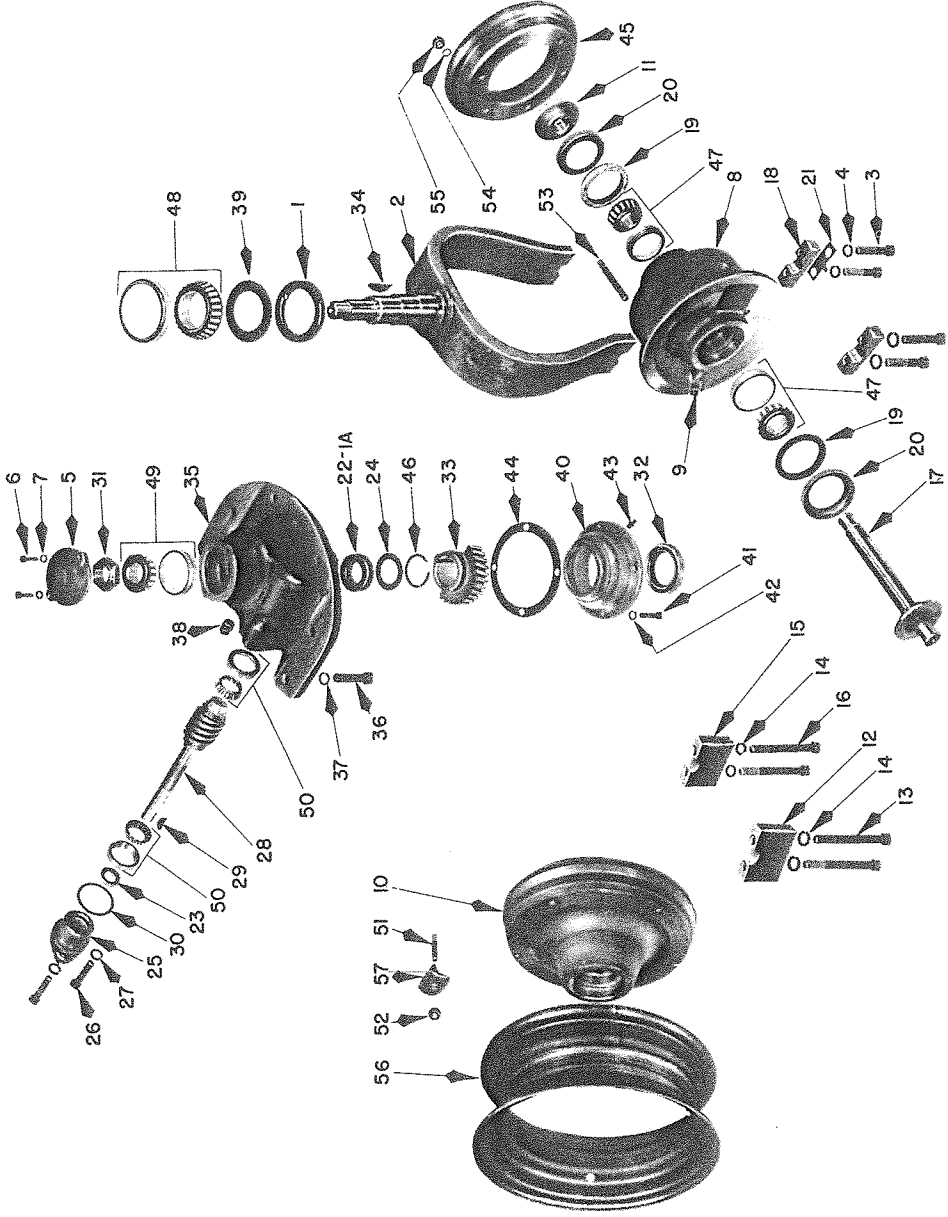
## FOUR WHEEL ADJUSTABLE TREAD (ROW CROP)

Ref. No.	Part Number	Description	No. Req.	Row Crop Serial Number
95	1A-1168	CAP SCREW, Front Axle Stay Rod Ball Socket (3/4 x 2-3/4 Drilled Head)	1	320001-353582
96	1C-1168	CAP SCREW, Front Axle Stay Rod Pivot Support	3	353583-
97	1A-1169	CAP SCREW, Front Axle Stay Rod Ball Socket (3/4 x 3-1/2 Drilled Head)	2	320001-
98	IKS-1171	GUARD Assembly, Belt	1	4501667-
99	1H-1172	LOCK WASHER, Steering Knuckle and Steering Sector Shaft	4	320001-
100	1K-1176	HUB, Front Wheel	2	320001-325600
101	S-1905	Plug, 3/8 Std Pipe	2	
102	1HS-5019	BEARING, Steering Worm (Timken 21BC-24)	2	320001-336179
103	1K-6750-B	HOUSING, Steering Gear (Order IKS-6750-E)	1	336180-
104	IKS-6750-B	HOUSING (1K-6750-B) With Bushing (1K-6752-A), Steering Gear S-1900 Plug, 1/2 Std Steel Pipe	1	336180-
105	1K-6752-A	BUSHING, Pitman Shaft (Steering Gear Housing)	1	336180-
106	1A-6753-A	COVER, Housing End	1	336180-
107	S-1073	Cap Screw, 7/16 - 14 x 1-1/8 Hex Hd	4	
108	920084	Lock Washer, 7/16	4	
109	1A-6756-A	COVER, Housing Side (Order IAS-6756-A)	1	336180-
110	1AS-6756-A	COVER (1A-6756-A) With Bushing (1A-6787-A), Housing Side	1	336180-
111	908032	Cap Screw, 3/8 - 16 x 3/4 Hex Hd	3	
111	920083	Lock Washer, 3/8	3	
112	1A-6757-A	GASKET, Side Cover	1	336180-
113	1K-6758-B	SHAFT And Gear, Pitman	1	336180-
114	1A-6763-A	ADJUSTER, Lash	1	336180-
115	915086	Nut, 7/16 - 20 Hex Jam	1	
116	1A-6765-A	NUT, Worm Bearing Adjuster Lock	1	336180-
117	IKS-6767-B	SHAFT And Worm Assembly, Steering	1	336180-
118	IKSA-6767-B	SHAFT And Ball Nut Assembly, Steering	1	336180-
119	1A-6769	BEARING, Worm Thrust	2	336180-
120	1A-6770	CUP, Worm Thrust Bearing	1	336180-
121	1K-6772-A	ARM, Pitman Steering Sector	1	336180-
122	1A-6774-A	NUT, Pitman Arm	1	336180-
123	1A-6775-A	LOCK WASHER, Pitman Shaft	1	336180-
124	1K-6784	PACKING, Pitman Shaft	1	336180-
125	1A-6787-A	BUSHING, Pitman Shaft Side Cover (Order IAS-6756-A)	1	336180-
125	1K-6803-A	SEAL, Steering Shaft	1	336180-
126	1A-6817	ADJUSTER, Worm Bearing	1	336180-
127	1A-6818	RETAINER, Pitman Shaft Packing	1	336180-
128	1K-6819	NUT, Ball	1	336180-
129	S-3741	Ball, 9/32 Dia Hardened Steel	106	
130	1K-6820	GUIDE, Ball Return	4	336180-
131	1K-6821	CLAMP, Ball Return Guide	1	336180-
132	S-2560	Fastener Unit, 1/4 - 28 x 5/16 Slotted Fill Hd Sems Int	3	
133	IAS-6822	SHIM KIT, Lash Adjuster	1	336180-

## FOUR WHEEL ADJUSTABLE TREAD (ROW CROP)

Ref. No.	Part Number	Description	No. Req.	Row Crop Serial Number
134	1A-6823	GASKET, End Cover	1	336180-
135	1K-6958-A	TIE ROD, Steering Knuckle Intermediate	2	320001-
136	1K-6959	CLAMP, Steering Knuckle Tie Rod	2	320001-
137	1K-6960	BOLT, Steering Knuckle Tie Rod Clamp	2	320001-
138		920082 Lock Washer, 5/16	2	
139		915001 Nut, 5/16 - 24 Hex	2	
140	1K-6961	CLAMP, Steering Knuckle Tie Rod Adjusting	2	320001-
141		908484 Cap Screw, 3/8 - 24 x 1-3/4 Hex Hd	2	
142		920083 Lock Washer, 3/8	2	
143		915002 Nut, 3/8 - 24 Hex	2	
144	1KAS-7009	RIM, Front Wheel (For 6.00-16 Tire)	2	325601-
144	1KAS-7009-A	RIM, Front Wheel (For 7.50-16 Tire)	2	325601-

SINGLE FRONT WHEEL



Ref. No.	Part Number	Description	No. Req.	Flow Crop Serial Number
1	1D-703	WASHER, Spindle Bearing Seal Felt - Lower	1	320001-
1A	1L-620-A	WASHER, Upper Bearing Felt	1	3503998-
2	1KS-712-H	FORK And Cap Assembly, Front Wheel	1	320001-3503997
3		908537 Cap Screw, 5/8 - 18 x 2-1/2 Hex Hd	4	
4		920087 Lock Washer, 5/8	4	
2	1KS-712-K	FORK And Cap Assembly, Front Wheel	1	3503998-
3		908537 Cap Screw, 5/8 - 18 x 2-1/2 Hex Hd	4	
4		920087 Lock Washer, 5/8	4	
5	1B-716	CAP, Upper Bearing	1	320001-
6		908317 Cap Screw, 5/16 - 18 x 1 Hex Hd	2	
7		920082 Lock Washer, 5/16	2	
8	1K-729-C	WHEEL, Front (9.00-10 Tire)	1	320001-
9		S-1905 Plug, 3/8 Std Pipe	1	
10	1K-729-D	WHEEL, Front (7.50-16 Tire)	1	320001-
9		S-1905 Plug, 3/8 Std Pipe	1	
11	1K-731	NUT, Front Wheel Bearing Lock	1	320001-
12	1K-733	BLOCK, Adapter (9.00-16 Tire)	2	320001-
13		S-3141 Cap Screw, 5/8 - 18 x 5-1/4 Hex Hd	4	
14		920087 Lock Washer, 5/8	4	

## SINGLE FRONT WHEEL

Ref. No.	Part Number	Description	No. Req.	Row Crop Serial Number
15	1K-733-A	BLOCK, Adapter (7.50-16 tire) S-1021 Cap Screw, 5/8 - 18 x 4-1/4 Hex Hd	2	320001-
16		920087 Lock Washer, 5/8	4	
14			4	
17	1KS-734-A	SPINDLE Assembly, Front Wheel	1	320001-
18	1KR-735	CAP, Spindle (Use as Spacer Block) (For 7.50-16 Tire)	2	320001-
19	1K-737	SEAL, Front Wheel	2	320001-
20	1K-738	CUP, Front Wheel Seal Wearing	2	320001-
21	1K-745	LOCK, Front Wheel Bearing Nut	1	320001-
22	1B-752	SEAL, Upper Bearing Oil	1	320001-3503997
23	1K-752-A	SEAL, Steering Worm	1	320001-
24	1B-754-B	RETAINER, Bearing Oil Seal - Upper	1	320001-3503997
24	1K-754	RETAINER, Bearing Oil Seal - Upper	1	3503998-
25	1K-757-A	COVER, Steering Worm Bearing	1	320001-
26		908358 Cap Screw, 1/2 - 13 x 1-3/4 Hex Hd	2	
27		920085 Lock Washer, 1/2	2	
28	1K-759-B	WORM, Steering 937020 Key, 3/16 x 1 Woodruff	1	320001-
29			1	
30	1H-764	SHIM, Steering Worm Bearing (.0156")	Req.	320001-
30	1H-765	SHIM, Steering Worm Bearing (.004")	Req.	320001-
30	1H-766	SHIM, Steering Worm Bearing (.002")	Req.	320001-
31	1K-1038	NUT, Fork Upper Bearing	1	320001-
32	1H-1110	OIL SEAL, Bearing Cage	1	320001-
33	1K-1158-B	SECTOR, Steering 937043 Key, 5/16 x 1-23/32 Woodruff	1	320001-3503997
34			1	
33	1K-1158-C	SECTOR, Steering 937043 Key, 5/16 x 1-23/32 Woodruff	1	3503998-
34			1	
35	1K-1162-B	HOUSING, Front Steering Gear 908387 Cap Screw, 5/8 - 11 x 2-1/4 Hex Hd	1	320001-3503997
36		920087 Lock Washer, 5/8	6	
37		S-1900 Plug, 1/2 Std Pipe	6	
38			1	
35	1K-1162-C	HOUSING, Front Steering Gear 908387 Cap Screw, 5/8 - 11 x 2-1/4 Hex Hd	1	3503998-
36		920087 Lock Washer, 5/8	6	
37		S-1900 Plug, 1/2 Std Pipe	6	
38			1	
39	1K-1164-A	RETAINER, Spindle Bearing Seal - Lower	1	320001-
40			1	
40	1K-1166	CAGE, Front Fork Bearing 908333 Cap Screw, 3/8 - 16 x 1-1/4 Hex Hd	1	320001-3503997
41		920083 Lock Washer, 3/8	4	
42		939001 Fitting, 1/8 P.T. Alemite Hydr Strt	4	
43			1	
40	1K-1166-A	CAGE, Front Fork Bearing 908333 Cap Screw, 3/8 - 16 x 1-1/4 Hex Hd	1	3503998-
41		920083 Lock Washer, 3/8	4	
42		939001 Fitting, 1/8 P.T. Sirt Grease	4	
43			1	
44	1K-1167-A	GASKET, Front Fork Bearing Cage	1	320001-
45	1B-1178	FLANGE, Front Wheel	1	320001-
46	1A-3028-A	SNAP RING, Steering Sector	1	320001-
47	1B-5008-A	BEARING, Front Wheel Tapered Roller (Timken 2878-2820)	2	320001-

SECTION IX  
FRONT END EQUIPMENT

## 77 PARTS BOOK

## SINGLE FRONT WHEEL

Ref. No.	Part Number	Description	No. Req.	Row Crop Serial Number
48	1BS-5012-A	BEARING, Front Fork Tapered Roller - Lower (Timken 29586-29520)	1	320001-3503997
48	1MAS-5012	BEARING, Front Fork Spherangular Roller - Lower (Hyatt KA-11985Z)	1	3503998-
49	1BS-5013	BEARING, Front Fork Tapered Roller - Upper (Timken 2788-2720)	1	320001-3503997
49	1HS-5018	BEARING, Front Fork Spherangular Roller - Upper (Hyatt KC-11410Z)	1	3503998-
50	1HS-5019	BEARING, Steering Worm Tapered Roller (Timken 21BC-24)	2	320001-
51	1B-7006	STUD, Front Rim Clamp (7.50-16 Tire)	5	320001-
52		915114 Nut, 7/16 - 14 Hex	5	
53	1B-7006-A	STUD, Front Wheel Flange (9.00-10 Tire)	6	320001-
54		920085 Lock Washer, 1/2	6	
55		915115 Nut, 1/2 - 13 Hex	6	
56	1K-7009-B	RIM, Front Tire (7.50-16 Tire)	1	320001-
57	1B-7011-A	CLAMP, Front Rim (7.50-16 Tire)	5	320001-