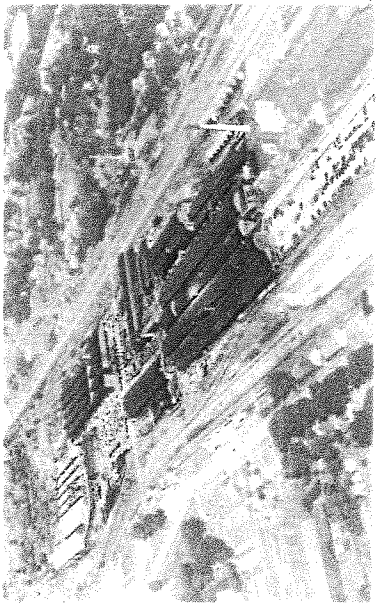


PARTS BOOK

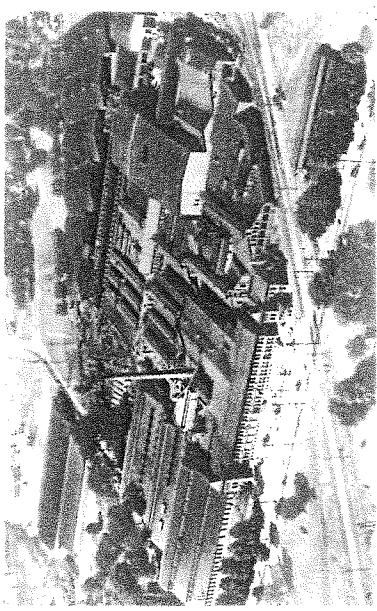
Complete list

Models 77 --SUPER 77

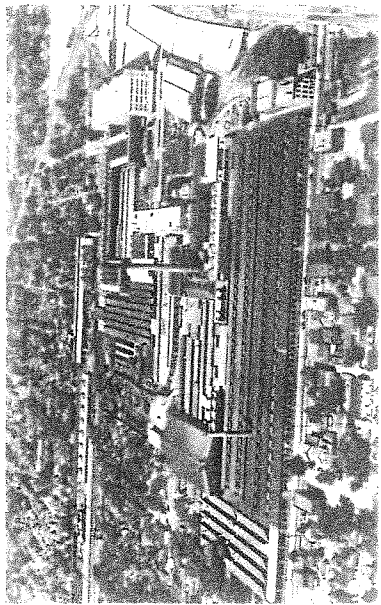
Series HC, KD, Diesel, LP Gas Tractors



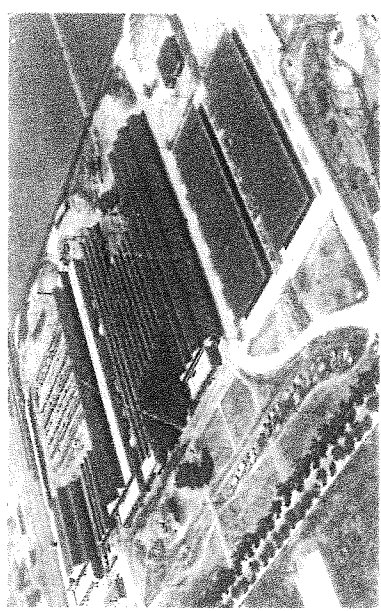
CHARLES CITY, IOWA



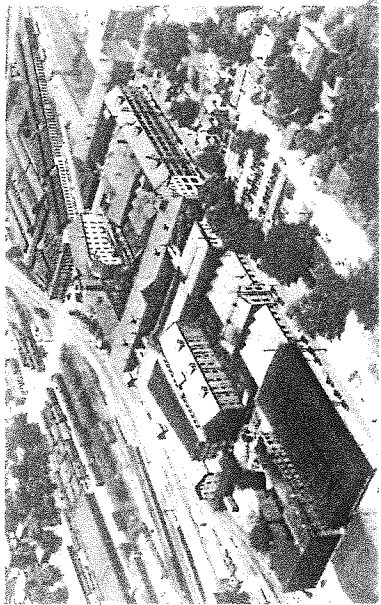
BATTLE CREEK, MICHIGAN



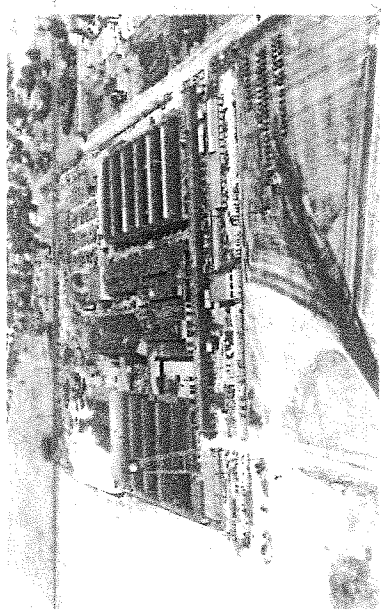
SOUTH BEND, INDIANA (No. 1)



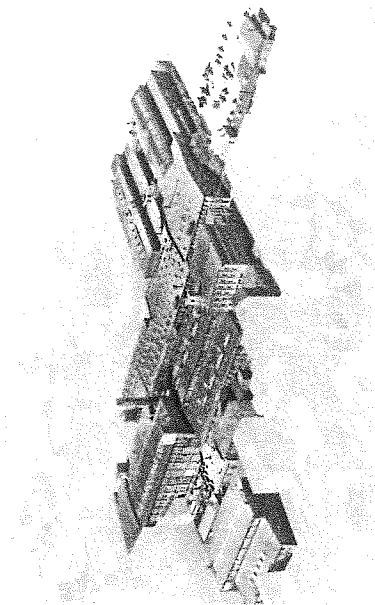
SOUTH BEND, INDIANA (No. 2)



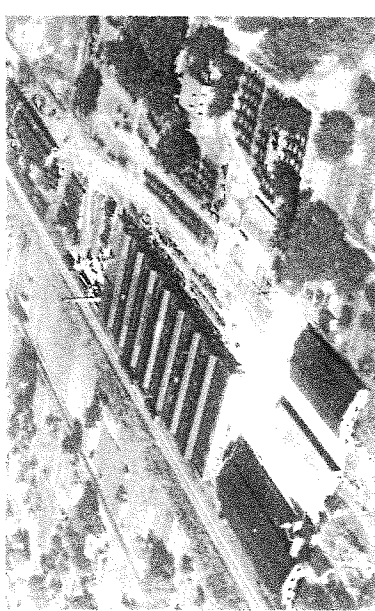
SPRINGFIELD, OHIO



CLEVELAND, OHIO



YORK, PENNSYLVANIA



SHELBYVILLE, ILLINOIS

INTRODUCTION

GENERAL. This Parts Book contains a complete list of parts for the 77 and Super 77 Series HC, KD, Diesel and LP Gas tractors.

The Book is divided into twelve sections. (See Table of Contents, page II.) Each section is subdivided into groups or units to simplify the listing of the parts. Each group or unit of parts is illustrated by an "exploded view" which shows the position of each part in relationship to the other parts. In each group, part numbers and reference numbers are listed in numerical order. A complete description of the part, the quantity used, and the tractor serial number are shown opposite the part number. A numerical listing of assemblies and a numerical index are given at the back of the book. Below are instructions which will save time in using the Parts Book.

ILLUSTRATIONS. An "exploded view" of each unit shows the individual parts clearly and in their proper relationship to each other. Reference numbers only are shown in the exploded view and these numbers correspond to those in the reference number column in the part group listing. Do not order repairs by reference numbers.

PART NUMBER. See page IV for Part Number Identification.

PART NAME AND DESCRIPTION. Each part is described by its function in the group in which it is listed. The basic part name is in bold type followed by the description. If other parts are interchangeable and will work in the place of the part listed, these are also shown and identified. Where special parts can be used in place of the regular production part in special combinations, the regular production part is identified as "Regular" and the special parts as "Special". Special parts are identified with the tractor model on which they are used. "S" or 900000 number hardware parts are listed in the column under the tractor parts with which they are used.

NUMBER REQUIRED. The total number or parts used per tractor is shown opposite each part number and also the total number of "S" or 900000 hardware parts used with parts is shown.

SERIAL NUMBERS. The serial numbers designate those tractors on which the part is required for repairs. If the part is current, only the beginning serial number is given. If the part has been replaced in production, but is still required for repairs, both the beginning and ending serial numbers are given. No attempt has been made to identify special modifications of the basic tractor models, so in some instances the part may not be used on all of the tractors within the designated serial span. Serial numbers started at 320001 on the Row Crop 77, 269001 on the Standard 77 and 403001 on the Indus-

trial 77. They continued up to 354447 on the Row Crop, 274050 on the Standard and 403563 on the Industrial at which time the series of numbers were changed to 3500001. All three models of 77 tractors carried this series of numbers and run consecutively up to 4505123. The Super 77 Series tractors were then released and at the same time the serial number series were again changed beginning with 6001 and running consecutively on all three models. Motor serial numbers have been used in some cases instead of tractor serial numbers for parts pertaining to motors only, similarly, Hydra-Lectric Control and Hydraulic Control unit serial numbers have been used for parts pertaining to these units. The tractor serial number is stamped on the name plate which is located on the right side of the rear frame or on the instrument panel. The motor serial number is given with the motor serial number which is stamped on the crankcase in the lower rear right-hand corner next to the clutch cover. The Hydra-Lectric or Hydraulic unit number is stamped on a machined surface on the base plate directly in front of the gear shift lever socket.

HARDWARE PARTS. Hardware parts with "S" prefix part numbers or 900000 numbers are listed under the parts with which they are used and are described as to their description and size.

INDEX. A Table of Contents on page II gives the Parts Book sections and a list of the groups in each section. The number and name of each section is shown on the outside top corner of each page to give a quick sight reference. An alphabetical Index to Groups is given on page III. A Numerical Index begins on page 12-17. Throughout the Parts Book pages are numbered 1-3, 2-6 or 7-5 etc. The first number represents the section number and the second number the page number in the section.

PRICES. Part Prices will be found in the Parts Price Book.

INSTRUCTIONS ON ORDERING REPAIR PARTS. When ordering repairs, always give the serial number of the tractor. If parts for the carburetor, magneto, generator, starting motor or any unit assembly with a model number or serial number are ordered, give the model number and serial number. The part number and descriptive name of each part ordered should be given. Specify whether shipments are to be forwarded by freight, express or parcel post.

DETAILS OF ASSEMBLIES. The letter "S" (used in the prefix part numbering) identifies an assembly of parts which may be a partial or complete assembly. The assembly part numbers are listed in numerical order beginning on page 12-1 which lists parts comprising each assembly or package.

THE OLIVER LINE

Manufacturing Plants and Products

BATTLE CREEK, MICHIGAN

Self-Propelled Combine Harvesters
Full Type Combine Harvesters
Mounted Corn Picker Huskers (2-row type)

Super 99 Wheel-Type Tractors

SOUTH BEND, INDIANA (No. 2)

Industrial Transmissions
Stationary Power Units

CHARLES CITY, IOWA

Super 55-66-77-88 Wheel-type Agricultural tractors (Row Crop, and General Farm types)

SPRINGFIELD, OHIO

Beet & Bean Cultivators
Cotton Harvesters
Forage Harvester
Drills: Corn
Grain
Fertilizer Side Dressing Attachments
Grain Drills
Irrigating Attachments
Fertilizer Spreaders

Manure Spreaders

Planters:

Bean and Pea
Corn (Check Row or Drill)
Cotton & Corn

Tractor Mtd. Implements:

Beet & Bean Cultivators
Beet & Bean Drills
Corn Drills
Seeder Attachment

CLEVELAND, OHIO

Oliver-Crawler type
Agricultural tractors

SHELBYVILLE, ILLINOIS

Automatic Wire Tie Balers
Stationary Hay and Straw

P.T.O. & Engine

Twine Tie Balers
Tractor Mowers

SOUTH BEND, INDIANA (No. 1)

Beet Harvesters
Cotton Busters
Cultivators:
Tractor
Beet and Bean
Disc
Field
Listed Crop
One-Row Corn
Harrow:
Disc—Regular Wheel Type
Spike Tooth
Spring Tooth
Hay Tools:
Rakes
Mowers:
Disc

Harvesting Machines:

Peanut Combine &

Thresher

Planters, Pull-Type with

Band-Way

Fertilizer Placement:

Potato

Vegetable

Cotton

Peanut

Sprayers:
Hydraulic
Mist

Pull-type
Tractor Mounted
Saw Mills

YORK, PENNSYLVANIA

Row-Crop Orchard
Cattle
Weed & General Purpose Mounted or Pull-Type Engine or PTO Driven Front End Leader
Transplanters, with or without Fertilizer Placement Unit:

JOBING LINES

Farm Wagons... Complete Line of Allied Equipment for Wheel and Crawler Tractors, Agricultural and Industrial.

UNITED STATES OLIVER BRANCHES

Atlanta, Georgia
Charles City, Iowa
Columbus, Ohio
Dallas, Texas
Denver, Colorado
Des Moines, Iowa
 Fargo, N. Dakota
 Harrisburg, Pa.

Oakland, California
Oklahoma City, Okla.
Omaha, Nebraska
Peoria, Illinois
Portland, Oregon
Richmond, Virginia
Sidney, Nebraska
Sioux Falls, S. Dakota

South Bend, Indiana
Spokane, Washington
Springfield, Missouri
St. Louis, Missouri
Utica, New York
Waukesha, Wisconsin
Wichita, Kansas

CANADIAN BRANCHES

Calgary, Alberta
Edmonton, Alberta
Regina, Saskatchewan

Saskatoon, Saskatchewan
Winnipeg, Manitoba

(UNITED STATES)
Billings, Montana
Ogden, Utah

(CANADIAN)
Montreal, Quebec
Fredericton, New Brunswick
Toronto, Ontario
Truro, Nova Scotia

EXPORT DIVISION

460 West Madison Street, Chicago 6, Illinois

9,300 Euclid Avenue, Cleveland 17, Ohio

INDUSTRIAL DIVISION

THE OLIVER CORPORATION

TABLE OF CONTENTS

SECTION I	TRACTOR-GENERAL	SECTION VI	CLUTCH
Drawbar	1-1	Clutch and Clutch Controls	6-1
Seat	1-6		
Wheel Guards, Extensions and Splash Panels	1-16	SECTION VII	TRANSMISSION
Hood, Side Doors and Rear Panel	1-21	Transmission, Rear Frame and Platform	7-1
Front Frame	1-24	Transmission Gear Shift	7-8
Name Plate and Transfers	1-25	Differential, Brake (Band Type) and Brake Controls	7-10
		Differential, Brake (Disc Type) and Brake Controls	7-18
		Rear Axle	7-24
SECTION II	ENGINE	SECTION VIII	STEERING GEAR
Cylinder Head and Valve Mechanism	2-1	Steering Wheel and Shafts	8-1
Crankcase	2-7	Front Steering Mechanism (Row Crop)	8-3
Crankshaft and Related Parts	2-12	Front Steering Mechanism (Standard and Orchard)	8-5
Oil Pan and Oil Pump	2-16	Front Steering Mechanism (Industrial With Gemmer)	8-7
Camshaft	2-18	Front Steering Mechanism (Standard, Orchard & Industrial With Saginaw)	8-11
Engine Controls and Instruments	2-19		
Hour Meter	2-24		
		SECTION IX	FRONT END EQUIPMENT
SECTION III	FUEL SYSTEM	Front Axle (Standard, Orchard and Industrial)	9-1
Air Cleaner	3-1	Front Wheels	9-5
Manifold Preheater	3-4	Four Wheel Adjustable Tread (Row Crop)	9-8
Carburetor (Schebler)	3-7	Single Front Wheel	9-16
Carburetor (Carter)	3-11		
Carburetor (Zenith)	3-14	SECTION X	OPTIONAL EQUIPMENT
Manifold	3-17	Mechanical Power Lift	10-1
Governor	3-23	Hydra-Electric and Hydraulic Lift	10-4
Fuel Tank, Tubing and Connections	3-25	Belt Pulley	10-63
Diesel Injection Pump, Nozzles and Accessory Drive	3-34	Power Take-Off	10-66
Diesel Injection Pump	3-39	Three-Point Hitch	10-72
LP Gas Equipment	3-47	Rear Wheels	10-77
		Lugs	10-81
		Extension Rims	10-82
		Rear Wheel Weights	10-83
SECTION IV	IGNITION & ELECTRICAL SYSTEM	SECTION XI	TOOLS
Ignition, Starter and Lights	4-1	Tools and Tool Box	11-1
Ignition and Light Wires	4-10		
Clips, Clamps and Covers	4-13	SECTION XII	GENERAL INFORMATION
Grommets	4-15	Details of Assembly	12-1
Distributor	4-16	Numerical Index	12-17
Generator (HC - KD)	4-19		
Generator (Diesel)	4-22		
Generator (HC - Diesel)	4-25		
Starting Motor (HC - KD)	4-28		
Starting Motor (Diesel)	4-31		
		SECTION V	COOLING SYSTEM
		Water Pump	5-1
		Radiator and Connections	5-3
		Radiator Shutter	5-6

ALPHABETICAL INDEX TO GROUPS

Group Name	Group Page No.	Group Name	Group Page No.
Adjustable Tread, Four Wheel	9-8	Lift, Hydra-Lectric & Hydraulic	10-5
Arms, Rocker	2-5	Lift, Mechanical Power	10-2
Axle, Front	9-1	Lights	4-1
Axle, Rear	7-25	Lugs	10-81
Bearings, Connecting Rod	2-14	Manifolds, Intake and Exhaust	3-20
Bearings, Main	2-12	Meter, Hour	2-24
Brakes (Band Type)	7-10	Nozzles, Diesel Injection	3-37
Brakes (Disc Type)	7-19	Numerical Index	12-17
Camschaft	2-18	Pan, Oil	2-17
Carburetor	3-8,12,15	Plate, Name	1-25
Cleaner, Air	3-3	Power Take-Off	10-68
Clutch	6-1	Preheater, Air	3-4
Controls, Engine	2-19	Pulley, Belt	10-63
Control, Clutch Hand	6-8	Pump, Diesel Injection	3-35,39
Crank, Starting	2-15	Pump, Fuel Supply	3-30
Crankcase	2-7	Pump, Oil	2-17
Crankshaft	2-13	Pump, Water	5-1
Cylinder, Hydra-Lectric	10-15,37,57	Radiator	5-4
Cylinder, Hydraulic	10-40,60	Rims, Extension	10-82
Details of Assemblies	12-1	Rings, Piston	2-15
Differential	7-10,19	Rods, Connecting	2-14
Distributor	4-16	Seat	1-7,12
Door, Hood and Clutch	1-21	Shafts, Steering	8-1
Drawbar	1-2	Shutter, Radiator	5-6
Extension, Wheel Guard	1-19	Single Front Wheel	9-16
Filter, Fuel	3-28	Sleeve and Piston Package	2-13
Filter, Oil	2-10	Starting Motor	4-7,28,31
Frame, Front	1-24	Steering Mechanism	8-4,6,8,12
Frame, Rear	7-3	Strainer, Fuel	3-28
Gear Shift, Transmission	7-8	Switch, Hydra-Lectric Hand	10-18,43
Generator	4-5,22,25	Tank, Fuel	3-25
Governor	3-23	Three Point Hitch	10-73
Guards, Wheel	1-18	Transfers	1-25
Head, Cylinder	2-1	Transmission	7-1
Hitch, Three Point	10-73	Tools	11-1
Hood	1-21	Valves	2-4
Ignition	4-1	Weights, Wheel	10-84
Injection System, Diesel	3-35	Wheels, Front	9-5
		Wheel Guards	1-18
		Wheels, Rear	10-77

PART NUMBER IDENTIFICATION

As a general rule, all parts having similar function have the same basic number. For example: All rear axles have the same basic number 699, 1MA-699-G is the part number of the rear axle for the Row Crop 77 tractors. 1M-699-E is the part number of the rear axle for the Standard and Industrial 77 tractors.

Generally, the prefix letter on the part number indicates the model of tractor on which the part was first used. Some parts are used on more than one model. Part numbers with prefix letters A, B, C, D, E, F, H, J, K or L as well as part numbers with prefix letter M may be used on the 77 and Super 77 Series tractors.

B Prefix Letter Part Numbers . . . Row Crop 70 Agricultural tractors.

C Prefix Letter Part Numbers . . . Row Crop 80 Agricultural tractors, and Standard Row Crop Agricultural tractors.

D Prefix Letter Part Numbers . . . Standard 80 Agricultural tractors, Industrial 80 tractors, 18-28 Agricultural tractors, 35 Industrial tractors, and 35 Engine Over Axle Transmission, 35 Motor Grader Units, 35 and 28 Road Grader Tractor Units.

E Prefix Letter Part Numbers . . . Super 55 Tractors.

F Prefix Letter Part Numbers . . . Standard 70 Agricultural tractors, Industrial 70 tractors, and 25 Industrial tractors.

H Prefix Letter Part Numbers . . . Row Crop 60 Agricultural tractors.

J Prefix Letter Part Numbers . . . Standard 60 Agricultural tractors and Industrial 60 tractors.

K Prefix Letter Part Numbers . . . 88 and Super 88 tractors.

L Prefix Letter Part Numbers . . . 66 and Super 66 tractors.

M Prefix Letter Part Numbers . . . 77 and Super 77 tractors.

The suffix letter indicates a change in the part affecting interchangeability. For example: 1K-1451-A Rear Wheel Hub U-Bolt supersedes 1K-1451 Rear Wheel Hub U-Bolt, both parts are required for repairs as they are not interchangeable. However, in many cases the advanced suffix letter part can be used for the earlier tractors in which case the Parts Book so states.

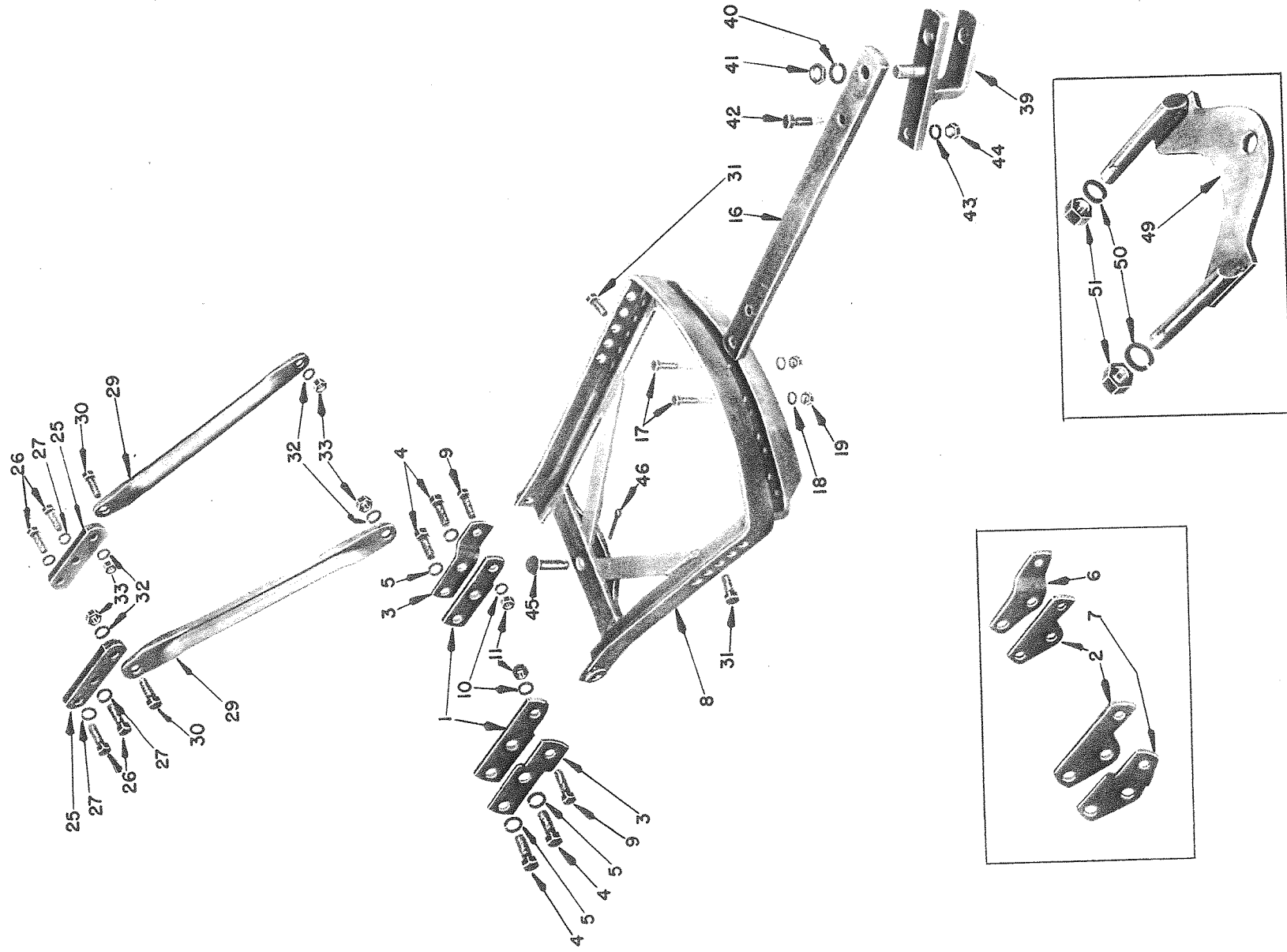
As a general rule, the second prefix letter, except R, S, and U indicates a change in the part not affecting interchangeability. For example: 1KA-422 Oil Filter Gasket supersedes 1K-422 Oil Filter Gasket. Both parts are interchangeable (1KA-422 is made of cork and 1K-422 is made of paper).

The second prefix letter R indicates that the part is used for repairs only.

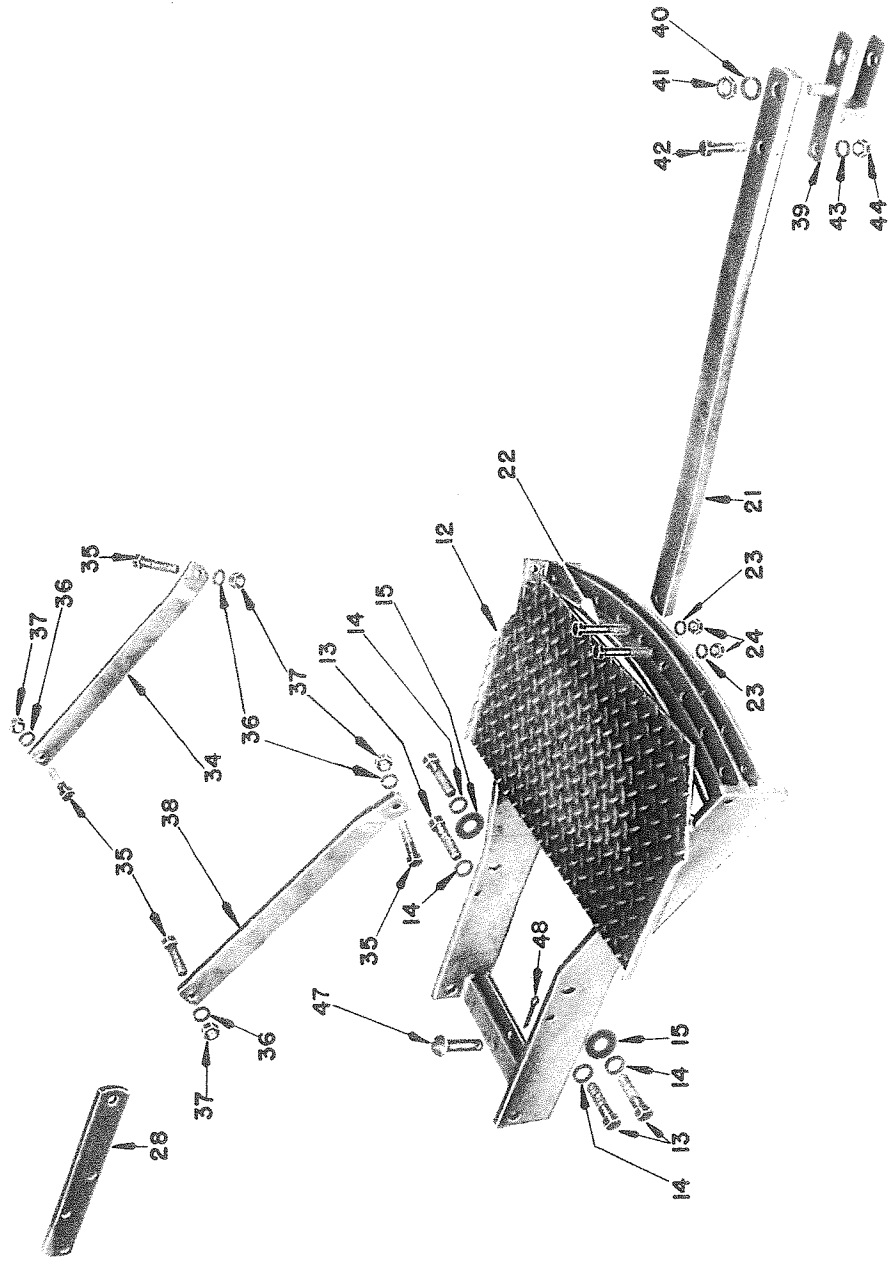
The second prefix letter S indicates an assembly of parts. For example: 1K-260 Governor Weight Carrier when assembled with 1K-262 Governor Weight and 1B-263 Governor Weight Pin makes the assembly 1KS-260. Sometimes the prefix letter S may be the third prefix letter. Prefix letters that follow prefix letter S indicate subassemblies.

The second prefix letter U indicates that the part is undersize, O indicates that the part is oversize.

DRAWBAR

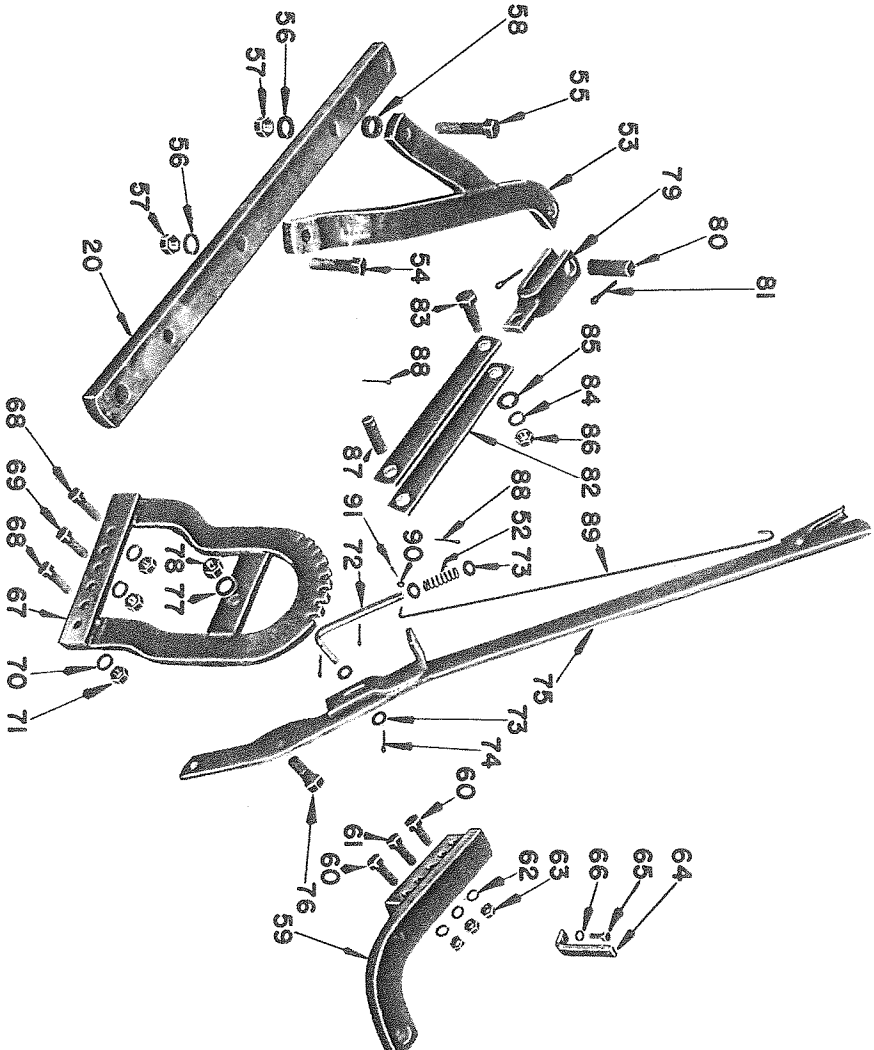


DRAWBAR



Ref. No.	Part Number	Description	No. Req.	Flow Crop Serial Number	Standard Serial Number	Industrial Serial Number
1	1K-785	BRACKET, Drawbar Support - Inner	2	320001-		
2	1K-785-A	BRACKET, Drawbar Support - Inner	2		269001-	403001-
3	1K-786	BRACKET, Drawbar Support - Outer	2	320001-		
4		908401 Cap Screw, 3/4 - 10 x 2 Hex Hd	4			
5		920089 Lock Washer, 3/4	4			
6	1K-786-A	BRACKET, Drawbar Support - Outer Right	1		269001-	403001-
4		908401 Cap Screw, 3/4 - 10 x 2 Hex Hd	2			
5		920089 Lock Washer, 3/4	2			
7	1K-786-B	BRACKET, Drawbar Support - Outer Left	1		269001-	403001-
4		908401 Cap Screw, 3/4 - 10 x 2 Hex Hd	2			
5		920089 Lock Washer, 3/4	2			
8	1KS-787	SUPPORT, Drawbar	1	320001-		
9		908535 Cap Screw, 5/8 - 18 x 2 Hex Hd	2			
10		920087 Lock Washer, 5/8	2			
11		915006 Nut, 5/8 - 18 Hex	2			
12	1MS-787	SUPPORT, Drawbar - Orchard (Tractor Serial Number 269001-273375)	1		269001-	403001-
13		908402 Cap Screw, 3/4 - 10 x 2-1/4 Hex Hd	4			
14		920089 Lock Washer, 3/4	4			
15		920015 Washer, 3/4, P14n	2			

DRAWBAR



Ret. No.	Part Number	Description	No. Req.	Row Crop Serial Number	Standard Serial Number	Industrial Serial Number
12	IMS-787-A	SUPPORT, Drawbar - Orchard (Tractor Serial Number 273376-)	1			
13		908402 Cap Screw, 3/4 - 10 x 2-1/4 Hex Hd	4			
14		920089 Lock Washer, 3/4	4			
15		920015 Washer, 3/4 Plain	2			
16	IK-792	DRAWBAR	1	320001-	269001-	403001-
17		908861 Cap Screw, 1/2 - 13 x 2-1/2 Hex Hd	2			
18		920085 Lock Washer, 1/2	2			
19		915115 Nut, 1/2 - 13 Hex	2			
20	IK-792-A	DRAWBAR (Hydraulic and Mechanical Side Hill Hitch)	1	320001-	269001-	
21		DR AWBAR - Orchard	1			
22	1M-792	908363 Cap Screw, 1/2 - 13 x 3 Hex Hd	2			
23		920085 Lock Washer, 1/2	2			
24		915115 Nut, 1/2 - 13 Hex	2			
25	1B-794-B	BRACKET, Drawbar Upper Support	2	320001-	269001-	403001-
26		908385 Cap Screw, 5/8 - 11 x 1-3/4 Hex Hd	4			
27		920087 Lock Washer, 5/8	4			
28	1M-794	ADAPTER, Drawbar Support Link - Orchard (With Standard Type Wheel Guards)	2			

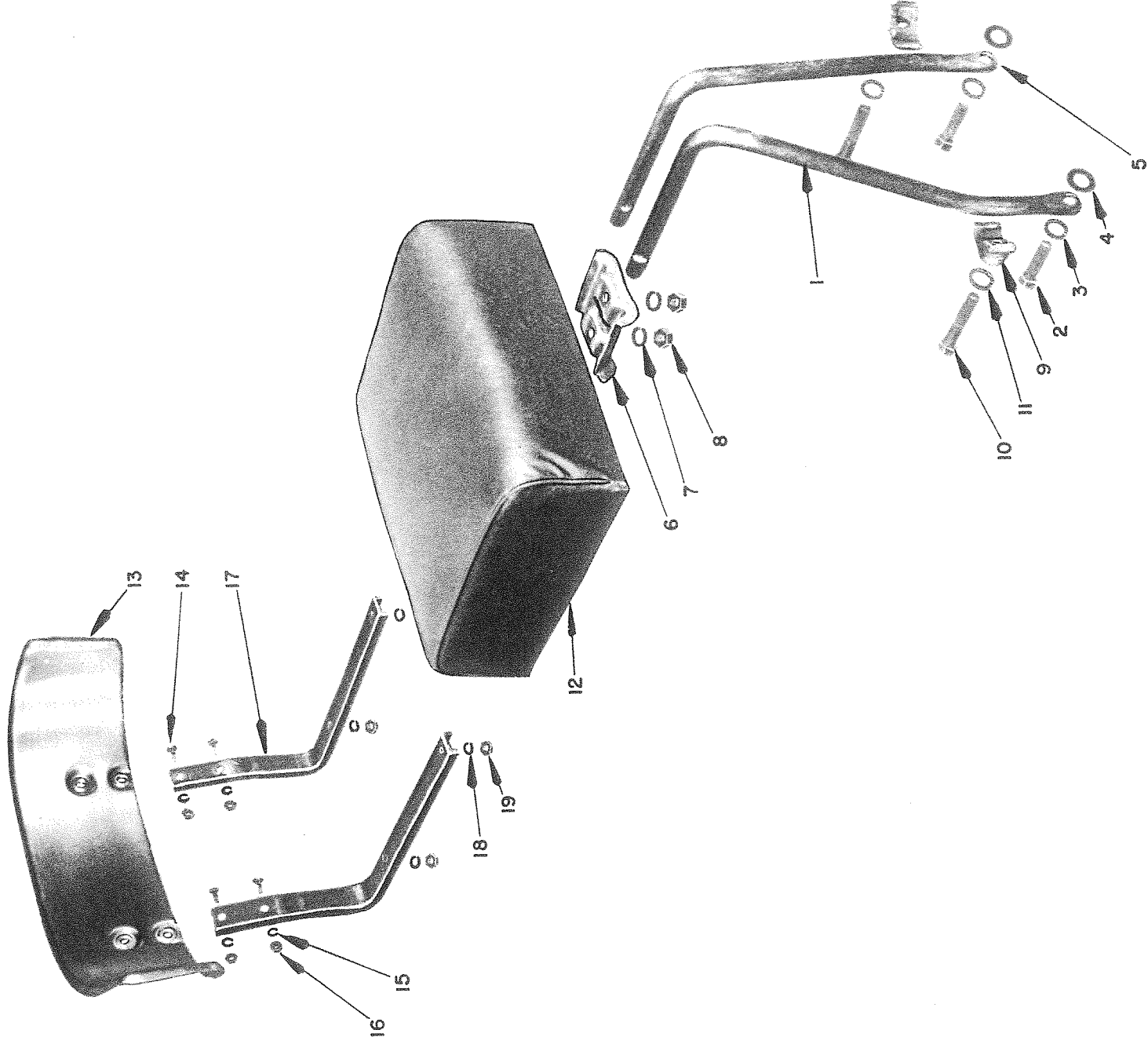
DRAWBAR

Ref. No.	Part Number	Description	No. Req.	Row Crop Serial Number	Standard Serial Number	Industrial Serial Number
29	1B-795-E	LINK, Drawbar Adjusting (17-3/4" long overall)	2		269001-	403001-
30		908534 Cap Screw, 5/8 - 18 x 1-3/4 Hex Hd	2			
31		908533 Cap Screw, 5/8 - 18 x 1-1/2 Hex Hd	2			
32		920087 Lock Washer, 5/8	4			
33		915006 Nut, 5/8 - 18 Hex	4			
29	1K-795	LINK, Drawbar Adjusting (19-7/16" long overall)	2	320001-		
30		908534 Cap Screw, 5/8 - 18 x 1-3/4 Hex Hd	2			
31		908533 Cap Screw, 5/8 - 18 x 1-1/2 Hex Hd	2			
32		920087 Lock Washer, 5/8	4			
33		915006 Nut, 5/8 - 18 Hex	4			
34	1M-795-A	LINK, Drawbar Support - Right - Orchard	1			
35		908537 Cap Screw, 5/8 - 18 x 2-1/2 Hex Hd	2			
36		920087 Lock Washer, 5/8	2			
37		915006 Nut, 5/8 - 18 Hex	2			
34	1M-795-C	LINK, Drawbar Support - Right - Orchard (With Standard Type Wheel Guards)	1			
35		908537 Cap Screw, 5/8 - 18 x 2-1/2 Hex Hd	1			
35		908535 Cap Screw, 5/8 - 18 x 2 Hex Hd	1			
36		920087 Lock Washer, 5/8	2			
37		915006 Nut, 5/8 - 18 Hex	2			
38	1M-795-B	LINK, Drawbar Support - Left - Orchard	1			
35		908537 Cap Screw, 5/8 - 18 x 2-1/2 Hex Hd	2			
36		920087 Lock Washer, 5/8	2			
37		915006 Nut, 5/8 - 18 Hex	2			
38	1M-795-D	LINK, Drawbar Support - Left - Orchard (With Standard Type Wheel Guards)	1			
35		908537 Cap Screw, 5/8 - 18 x 2-1/2 Hex Hd	1			
35		908535 Cap Screw, 5/8 - 18 x 2 Hex Hd	1			
36		920087 Lock Washer, 5/8	2			
37		915006 Nut, 5/8 - 18 Hex	2			
39	1KS-798	CLEVIS Assembly, Drawbar	1	320001-	269001-	403001-
40		920091 Lock Washer, 7/8	1			
41		915091 Nut, 7/8 - 14 Hex Jam	1			
42		908536 Cap Screw, 5/8 - 18 x 2-1/4 Hex Hd	1			
43		920087 Lock Washer, 5/8	1			
44		915006 Nut, 5/8 - 18 Hex	1			
45	1B-800-A	PIN, Drawbar	1	320001-	269001-	403001-
46		932056 Cotter Pin, 5/16 x 1-1/2	1			
47	1M-800	PIN, Drawbar - Orchard	1			
48		932056 Cotter Pin, 5/16 x 1-1/2	1			
49	1KS-815	DRAWBAR, Front	1			
50		920097 Lock Washer, 1-1/4	2			
51		915011 Nut, 1-1/4 x 12 Hex	2			
52	1A-922	SPRING (Mechanical Side Hill Hitch)	1	320001-		
	1K-2094	HOSE, Hydraulic (84" Long) (Hydraulic Side Hill Hitch)	2	320001-	269001-	
	1K-2136	UNION, Straight Adapter (Used with 1K-2094) (Hydraulic Side Hill Hitch)	2	320001-	269001-	
53	1KS-2951	ARM Assembly, Main Pivot	1	320001-	269001-	
54		(Hydraulic and Mechanical Side Hill Hitch)	1			
55		S-3154 Cap Screw, 3/4 - 16 x 2-3/4 Hex Hd	1			
56		908553 Cap Screw, 8/4 - 16 x 3-1/2 Hex Hd	2			
57		920089 Lock Washer, 3/4	2			
		915007 Nut, 3/4 - 16 Hex	2			
58	1K-2953	SPACER, Main Pivot Brace (Hydraulic and Mechanical Side Hill Hitch)	1	320001-	269001-	

DRAWBAR

Ref. No.	Part Number	Description	No. Req.	Row Crop Serial Number	Standard Serial Number	Industrial Serial Number
59	1KS-2954	SUPPORT Assembly, Cylinder (Hydraulic Side Hill Hitch)	1	320001-	269001-	
60		908535 Cap Screw, 5/8 - 18 x 2 Hex Hd	2			
61		908536 Cap Screw, 6/8 - 18 x 2-1/4 Hex Hd	1			
62		920087 Lock Washer, 5/8	3			
63		915006 Nut, 5/8 - 18 Hex	3			
64	1K-2956	BRACKET, Hose Positioning	1	320001-	269001-	
65		908332 Cap Screw, 3/8 - 16 x 1 Hex Hd	1			
66		920083 Lock Washer, 3/8	1			
67	1KS-2957	SECTOR Assembly (Mechanical Side Hill Hitch)	1	320001-		
68		908535 Cap Screw, 5/8 - 18 x 2 Hex Hd	2			
69		908534 Cap Screw, 5/8 - 18 x 1-3/4 Hex Hd	1			
70		920087 Lock Washer, 3/8	3			
71		915006 Nut, 5/8 - 18 Hex	3			
72	1K-2960	LATCH, Sector (Mechanical Side Hill Hitch)	1	320001-		
73		920010 Washer, 7/16 Plain	4			
74		932017 Cotter Pin, 1/8 x 1	3			
75	1KS-2961	LEVER Assembly, Hand (Mechanical Side Hill Hitch)	1	320001-		
76	1K-2964-A	BOLT, Hand Lever Pivot (Mechanical Side Hill Hitch)	1	320001-		
77		920089 Lock Washer, 3/4	1			
78		915007 Nut, 3/4 - 16 Hex	1			
79	1KS-2965	CLEVIS Assembly (Mechanical Side Hill Hitch)	1	320001-		
80	1K-2967	PIN, Clevis (Mechanical Side Hill Hitch)	1	320001-		
81		932046 Cotter Pin, 1/4 x 1-1/2	2			
82	1K-2968	LINK, Clevis (Mechanical Side Hill Hitch)	2	320001-		
83	1K-2969	BOLT, Clevis Link Shoulder (Mechanical Side Hill Hitch)	1	320001-		
84		920087 Lock Washer, 5/8	1			
85		920013 Washer, 5/8 Plain	1			
86		915006 Nut, 5/8 - 18 Hex	1			
87	1K-2970	PIN, Clevis Link (Mechanical Side Hill Hitch)	1	320001-		
88		932035 Cotter Pin, 3/16 x 1-1/4	2			
89	1K-2971	WIRE, Latch (Mechanical Side Hill Hitch)	1	320001-		
90		920005 Washer, No. 10 Plain	1			
91		932000 Cotter Pin, 1/16 x 1/2	1			

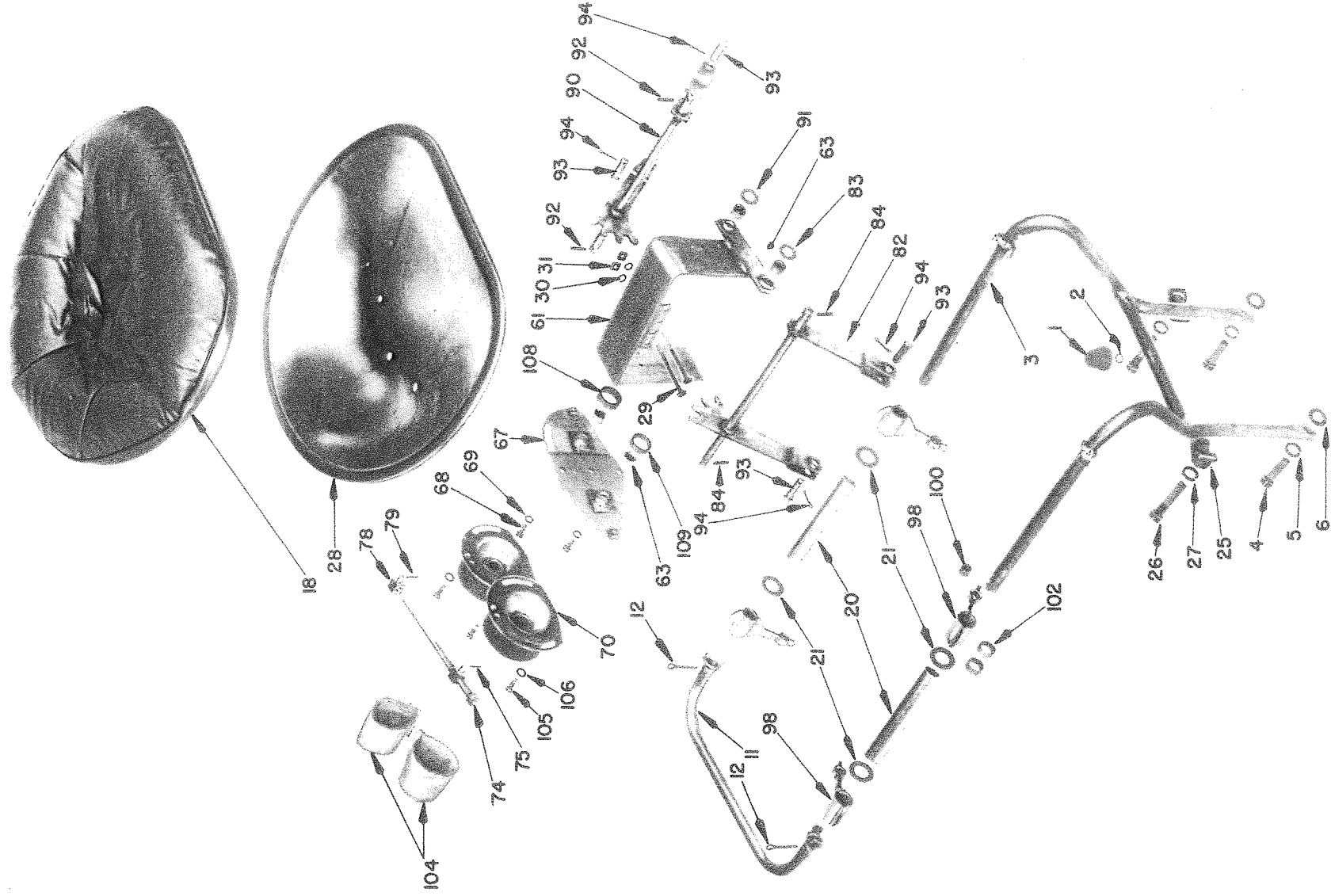
SEAT



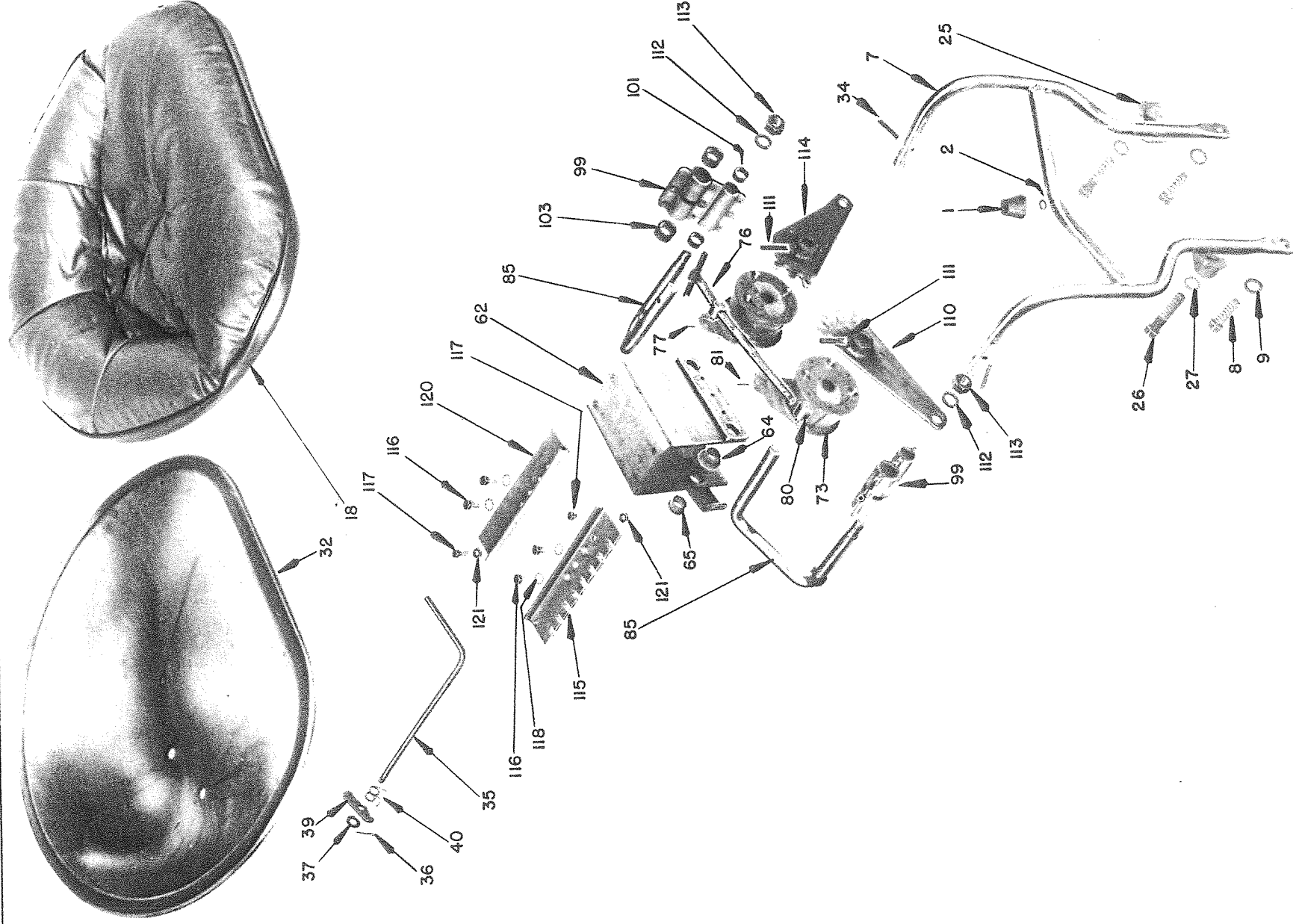
SEAT

Ref. No.	Part Number	Description	No. Req.	Row Crop Serial Number	Standard Serial Number	Industrial Serial Number
1	1M-943-A	SUPPORT, Seat - Right	1	320001-325600	269001-270565	402001-403185
2		908385 Cap Screw, 5/8 - 11 x 1-3/4 Hex Hd	1			
3		920087 Lock Washer, 5/8	1			
4		920013 Washer, 5/8 Plain	1			
5	1M-943-B	SUPPORT, Seat - Left	1	320001-325600	269001-270565	403001-403185
2		908385 Cap Screw, 5/8 - 11 x 1-3/4 Hex Hd	1			
3		920087 Lock Washer, 5/8	1			
4		920013 Washer, 5/8 Plain	1			
6	1H-946	CLAMP, Seat	1	320001-325600	269001-270565	403001-403185
7		920085 Lock Washer, 1/2	2			
8		915115 Nut, 1/2 - 13 Hex	2			
9	1H-948	CLAMP, Seat Support	2	320001-325600	269001-270565	403001-403185
10		908388 Cap Screw, 5/8 - 11 x 2- 1/2 Hex Hd	2			
11		920087 Lock Washer, 5/8	2			
12	1HB-949	SEAT	1	320001-325600	269001-270565	403001-403185
13	1K-950	REST, Seat Back	1	320001-325600	269001-270565	403001-403185
14		908820 Screw, 1/4 - 20 x 5/8 March	4			
15		920081 Lock Washer, 1/4	4			
16		915111 Nut, 1/4 - 20 Hex	4			
17	1K-951	SUPPORT, Seat Back	2	320001-325600	269001-270565	403001-403185
18		920082 Lock Washer, 5/16	4			
19		915112 Nut, 5/16 - 18 Hex	4			

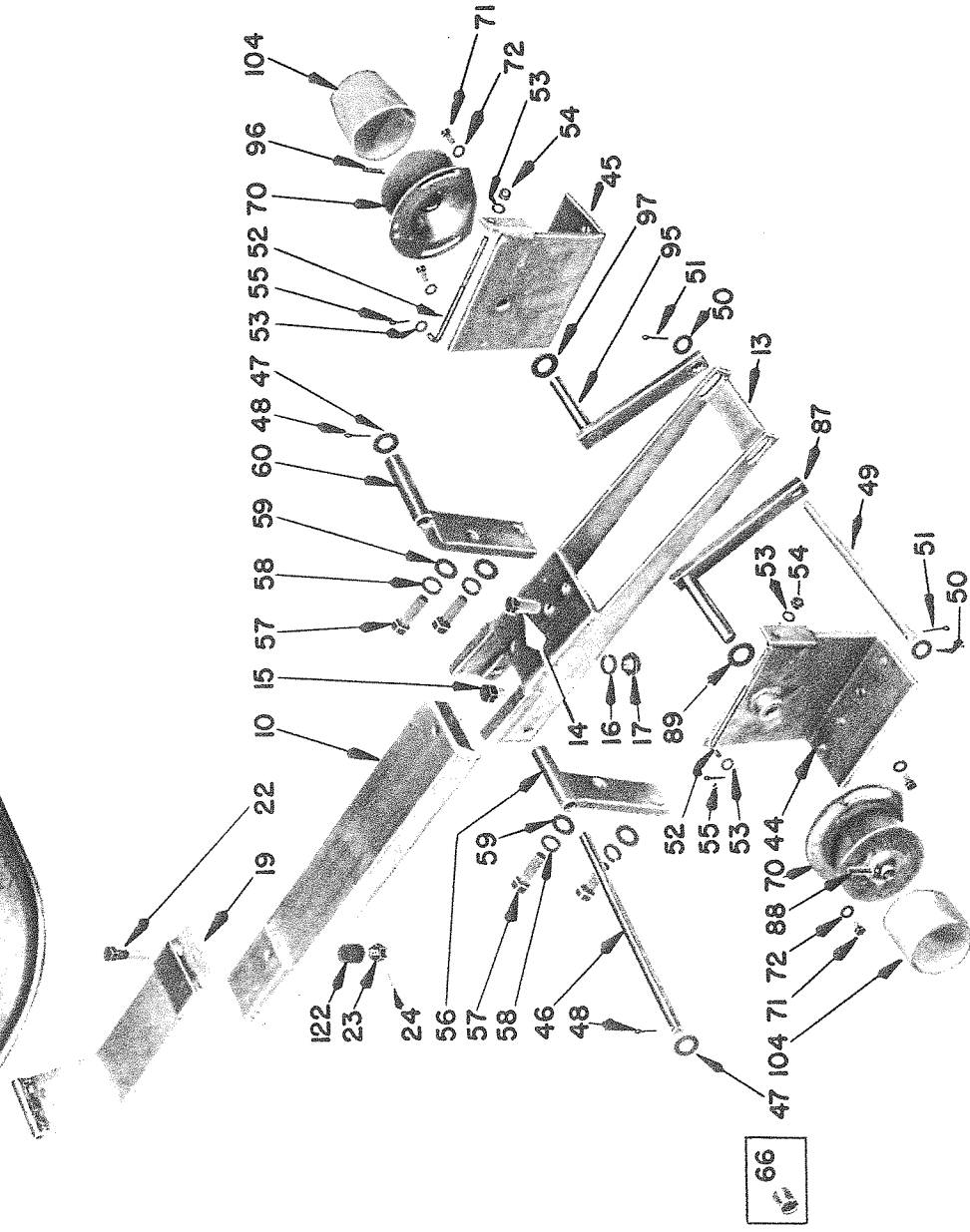
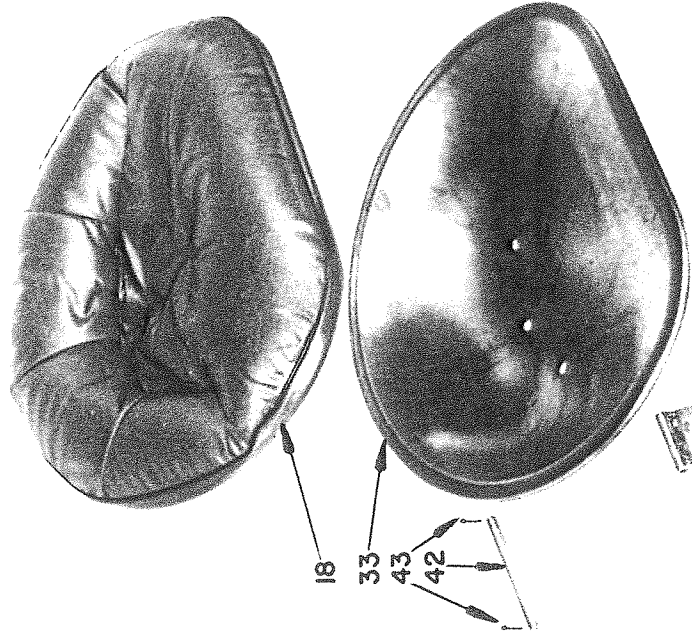
SEAT



SEAT



SEAT



SEAT

Ref. No.	Part Number	Description	No. Req.	Flow Crop Ser'd. Number	Standard Ser'd. Number	Industrial Ser'd. Number
1	IK-942	BUMPER, Seat	1	325601-	270566-	403186-
2		920155 Lock Washer, 5/16 Shakeproof	1			
3	IKS-943-C	SUPPORT Assembly, Seat	1	325601-347731	270566-273375	403186-403290
4		908385 Cap Screw, 5/8 - 11 x 1-3/4 Hex Hd	2			
5		920087 Lock Washer, 5/8	2			
6		920013 Washer, 5/8 Plain	2			
7	IKS-943-E	SUPPORT Assembly, Seat	1	347732-	273376-	403291-
8		908385 Cap Screw, 5/8 - 11 x 1-3/4 Hex Hd	2			
9		920087 Lock Washer, 5/8	2			
10	IMS-943	CHANNEL Assembly, Seat Support - Orchard	1			
11	IKS-944	BRACE Assembly, Seat Support	1	325601-347731	270566-273375	403186-403290
12		932046 Cotter Pin, 1/4 x 1-1/2	2			
13	IMS-944	RAIL Assembly, Seat Support Guide - Orchard	1			
14		908356 Cap Screw, 1/2 - 13 x 1-1/4 Hex Hd	1			
15		908381 Cap Screw, 5/8 - 11 x 3/4 Hex Hd	1			
16		920087 Lock Washer, 5/8	1			
17		915240 Nut, 5/8 - 11 Hex Jam	1			
18	IK-945	PAD, Seat	1	325601-	270566-	403186-
19	IMS-946-B	SUPPORT Assembly, Seat - Orchard	1			
20	IK-947	SPACER, Seat Support	2	325601-347731	270566-273375	403186-403290
21		920016 Washer, 7/8 Plain	4			
22	IM-947	BOLT, Seat Pivot - Orchard	1			
23		915060 Nut, 9/16 - 18 Hex Castle	1			
24		932017 Cotter Pin, 1/8 x 1	1			
25	IF-948	CLAMP, Seat Support	2	325601-	270566-	403186-
26		908388 Cap Screw, 5/8 - 11 x 2-1/2 Hex Hd	2			
27		920087 Lock Washer, 5/8	2			
28	IK-949	PAN AND BRACKET Assembly, Seat (Order IMS-949-A)	1	325601-347731	270566-273375	403186-403290
29		S-442 Bolt, 5/16 - 18 x 3-3/4 Mach	2			
30		920082 Lock Washer, 5/16	2			
31		915112 Nut, 5/16 - 18 Hex	2			
28	IMS-949-A	PAN AND BRACKET Assembly, Seat (Repr'dr for IK-949)	1			
32	IK-949-A	PAN AND BRACKET, Seat (Order IKS-949-D)	1	347732-3509999	273376-3509999	403291-3509999
32	IK-949-B	PAN AND BRACKET With Handle (IK-952-A) and Spring (IK-954-A), Seat (Order IKS-949-D)	1	347732-3509999	273376-3509999	403291-3509999
32	IKS-949-C	PAN AND ADJUSTER HANDLE Assembly, Seat (Order IKS-949-D)	1	3510000-6502	3510000-6502	3510000-6502
32	IKS-949-D	PAN AND ADJUSTER HANDLE Assembly, Seat	1	6503-	6503-	6503-
33	IMS-949	PAN AND BRACKET Assembly, Seat - Orchard	1			
IKS-949		SEAT Assembly - Complete (Less Supports) (Order IKSAR-949-C)	1	325601-347731	270566-273375	403186-403290
34	IKS-949-A	SEAT Assembly - Complete (Less Supports) (Order IKS-A-949-C)	1	347732-3509999	273376-3509999	403291-3509999
34	IKSA-949-C	SEAT Assembly - Complete (Less Supports) S-1375 Pin, 5/16 x 1-1/2 Roll	2			
34	IKSAR-949-C	SEAT Assembly Package (Festyle Seat complete with Supports)	1	3510000-	3510000-	3510000-
35	IK-952	HANDLE, Seat Adjuster (Used With IK-949-A)	1	347732-3509999	273376-3509999	403291-3509999
36		932016 Cotter Pin, 1/8 x 3/4	1			
37		920009 Washer, 3/8 Plain	1			

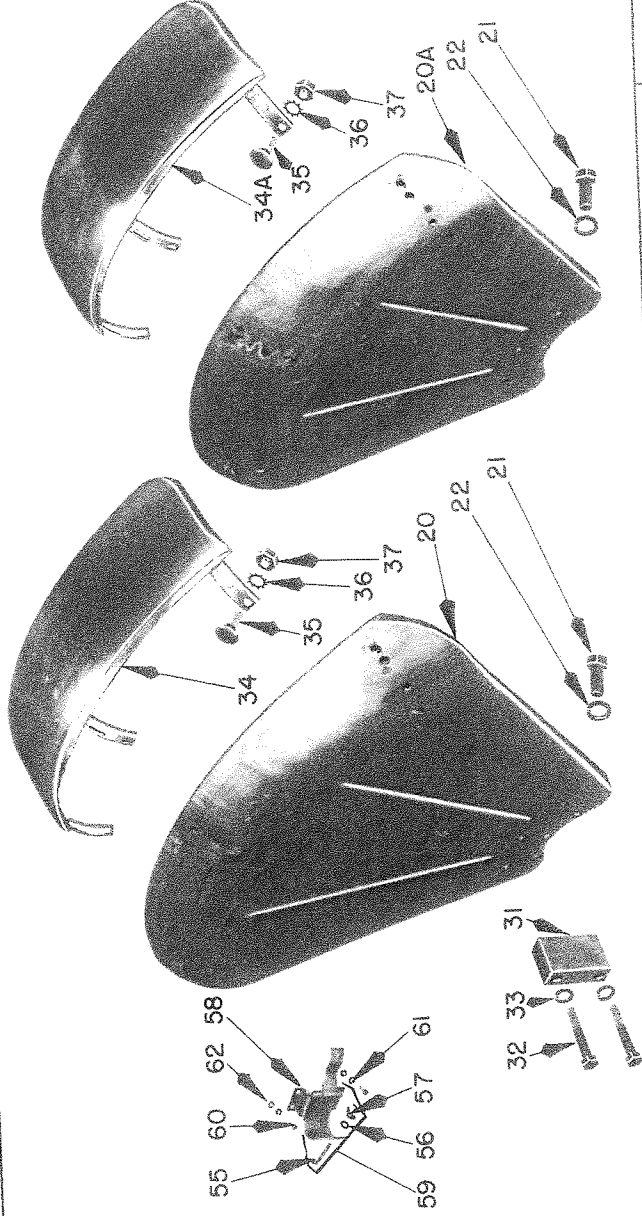
SEAT

Ref. No.	Part Number	Description	No. Req.	Row Crop Serial Number	Standard Serial Number	Industrial Serial Number
38	IK-952-A	HANDLE, Seat Adjuster (4-13/16" across Bend) (Used in IK-949-B And IKS-949-C)	1	3510000-6502	3510000-6502	3510000-6502
38	IK-952-B	HANDLE, Seat Adjuster (2-3/4" across bend) (Used in IKS-949-D)	1	6503-	6503-	6503-
39	IK-953	LATCH, Seat Adjuster (Used with IK-949-A)	1	347732-3509999	273376-3509999	403291-3509999
40	IK-954	SPRING, Adjuster Latch (Used with IK-949-A)	1	347732-3509999	273376-3509999	403291-3509999
41	IK-954-A	SPRING, Adjuster (Used in IK-949-B, IKS-949-C and IKS-949-D)	1	3510000-	3510000-	3510000-
42	IM-1834	ROD, Seat Support Pivot - Orchard	1			
43		932024 Cotter Pin, 5/32 x 3/4	2			
44	IMS-1835	PLATE Assembly, Spring Mounting - Right - Orchard	1			
45	IMS-1836	PLATE Assembly, Spring Mounting - Left - Orchard	1			
46	IM-1837	SHAFT, Seat Support Pivot - Orchard	1			
47		920042 Washer, 9/16 Plain	2			
48		932017 Cotter Pin, 1/8 x 1	2			
49	IM-1838	SHAFT, Spring Operating Cross - Orchard	1			
50		920011 Washer, 1/2 Plain	2			
51		932017 Cotter Pin, 1/8 x 1	2			
52	IM-1840	LINK, Spring Adjusting - Orchard	2			
53		920008 Washer, 5/16 Plain	4			
54		915115 Nut, 5/16 - 18 Hex	4			
55		932008 Cotter Pin, 3/32 x 3/4	2			
56	IMS-1842	SUPPORT Assembly, Pivot Shaft Bearing - Right - Orchard	1			
57		908385 Cap Screw, 5/8 - 11 x 1-3/4 Hex Hd	2			
58		920087 Lock Washer, 5/8	2			
59		920013 Washer, 5/8 Plain	2			
60	IMS-1843	SUPPORT, Assembly, Pivot Shaft Bearing - Left - Orchard	1			
57		908385 Cap Screw, 5/8 - 11 x 1-3/4 Hex Hd	2			
58		920087 Lock Washer, 5/8	2			
59		920013 Washer, 5/8 Plain	2			
61	IK-1851	SUPPORT Assembly, Seat Pan	1	325601-347731	270566-273375	403186-403290
62	IKS-1851-A	SUPPORT Assembly, Seat (Includes IK-1852-B Bushing)	1	347732-	273376-	403291-
63	IKSA-1851-A	SUSPENSION Assembly	1	347732-	273376-	403291-
64-65	IK-1852	BUSHING, Oilite	4	325601-347731	270566-273375	403186-403290
66	IK-1852-B	BUSHING, Seat Support	4	347732-	273376-	403291-
66	IM-1852	BUSHING, Spring Shaft - Orchard	2			
67	IK-1853	PLATE Assembly, Spring	1	325601-347731	270566-273375	403186-403290
68		908314 Cap Screw, 5/16 - 18 x 5/8 Hex Hd	2			
69		920082 Lock Washer, 5/16	2			
70	IK-1854	SPRING, Rubber (Continued to be used on Orchard after tractor serial number 273375)	2	325601-347731	270566-273375	403186-403290
71		(Use following Hardware Material on Orchard)	4			
72		908313 Cap Screw, 5/16 - 18 x 1/2 Hex Hd	4			
73	IK-1854-A	920008 Washer, 5/16 Plain	2	347732-	273376-	403291-
74	IK-1855	SPRING, Rubber	1	325601-347731	270566-273375	403186-403290
75		STUD Assembly, Adjusting 932815 Groove-Pin, 1/8 x 3/4	1			

SECTION I
TRACTOR-GENERAL

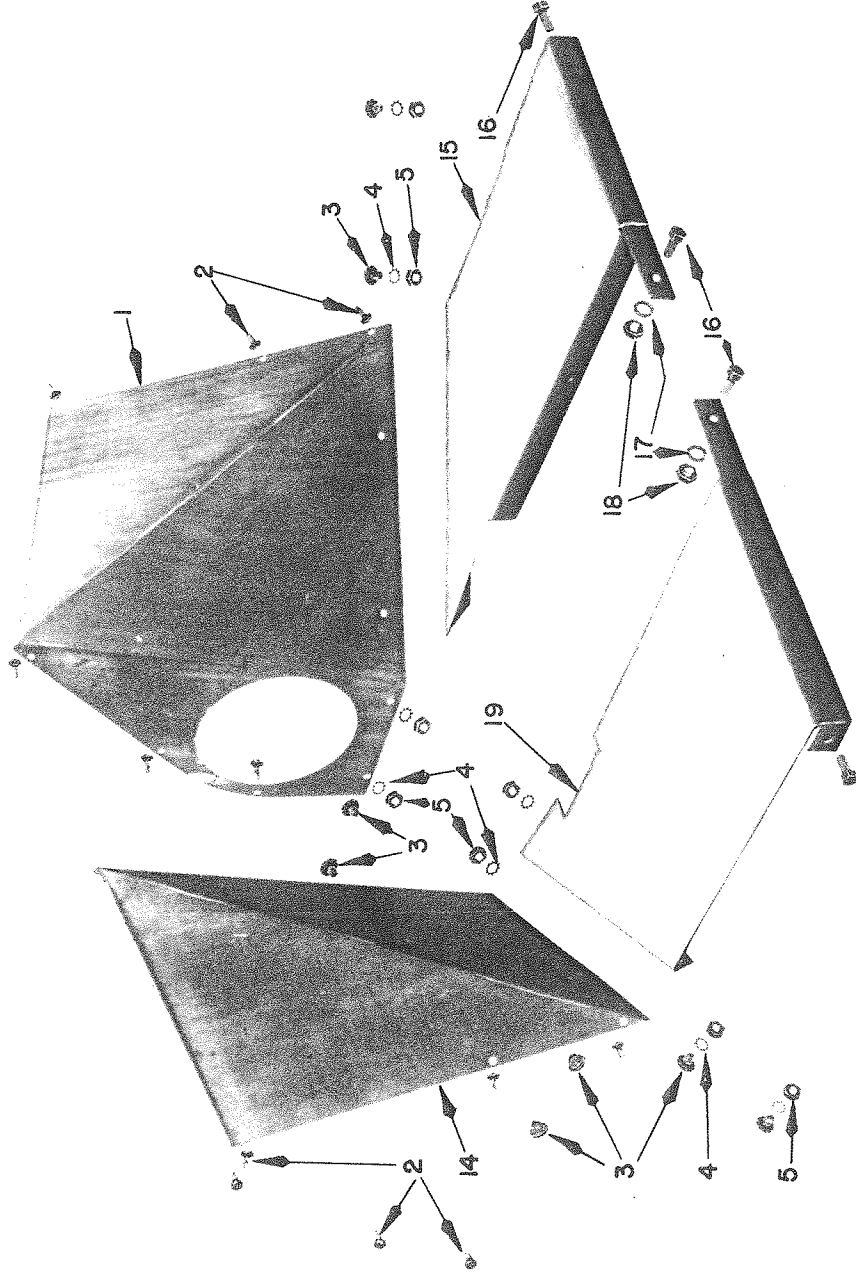
77 PARTS BOOK

WHEEL GUARDS, EXTENSIONS AND SPLASH PANELS



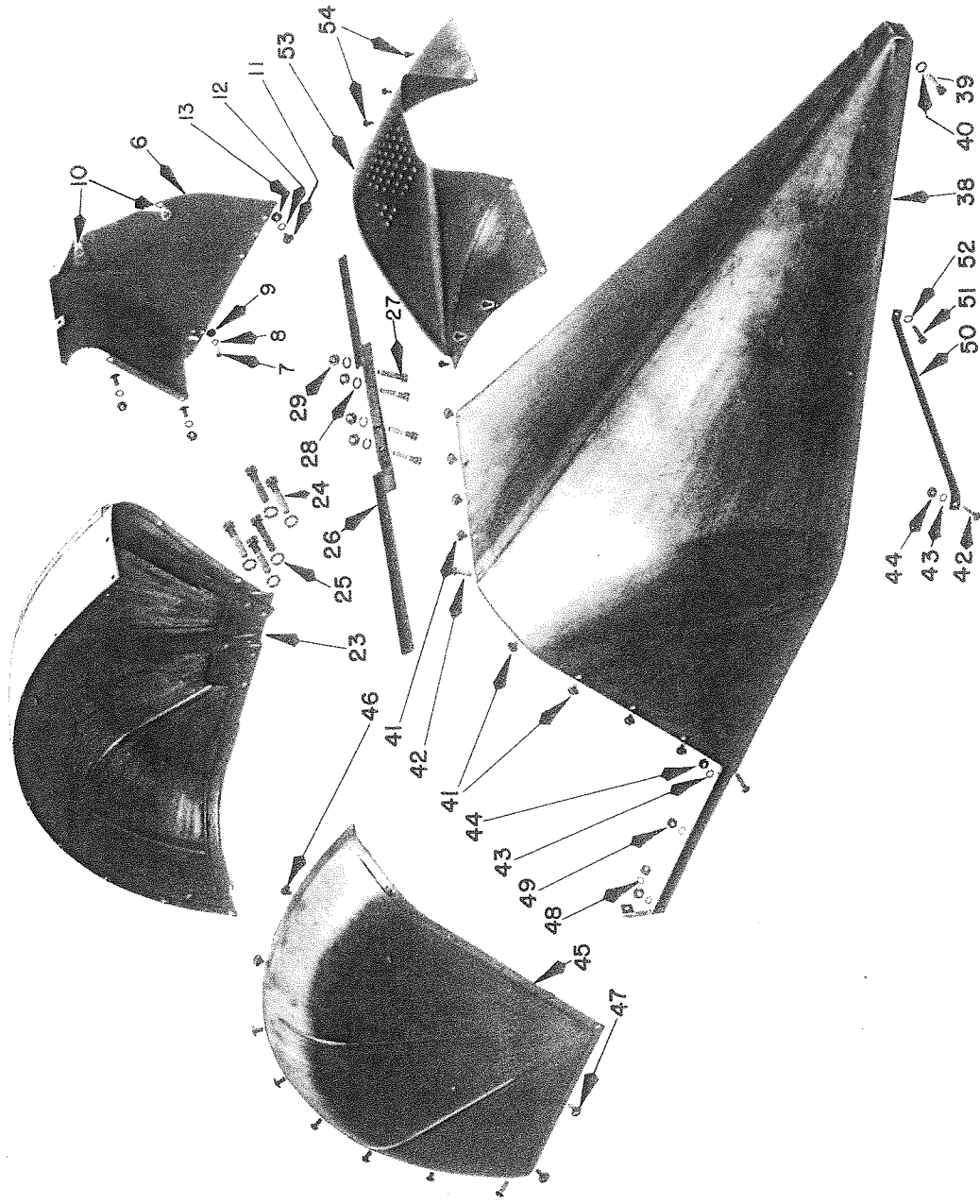
Ref. No.	Part Number	Description	No. Req.	Row Crop Serial Number	Standard Serial Number	Industrial Serial Number
1	1M-855-A	PANEL, Splash - Right	1	320001-		
2		S-2558 Fastener, 1/4 - 20 x 1/2 Sems	6			
3		S-2959 Bolt, 5/16 - 18 x 1/2 Stove	3			
4		920123 Lock Washer, 5/16 External Tooth	3			
5		915112 Nut, 5/16 - 18 Hex	3			
1	1M-855-B	PANEL, Splash - Right	1		269001-	403001-
2		S-2558 Fastener, 1/4 - 20 x 1/2 Sems	6			
3		S-2959 Bolt, 5/16 - 18 x 1/2 Stove	3			
4		920123 Lock Washer, 5/16 External Tooth	3			
5		915112 Nut, 5/16 - 18 Hex	3			
6	1M-855	SHEET, Fender to Panel - Right - Orchard	1			
7		909019 Screw, No. 10 - 24 x 1/2 Mch	1			
8		920079 Lock Washer, No. 10	1			
9		915538 Nut, No. 10 - 24 Hex	1			
10		S-2558 Fastener Unit, 1/4 - 20 x 1/2 Sems	2			
11		S-2959 Bolt, 5/16 - 18 x 1/2 Stove	3			
12		920123 Lock Washer, 5/16 External Tooth	3			
13		915112 Nut, 5/16 - 18 Hex	3	320001-		
14	1M-856-A	PANEL, Splash - Left	1		269001-	403001-
2		S-2558 Fastener, 1/4 - 20 x 1/2 Sems	6			
3		S-2959 Bolt, 5/16 - 18 x 1/2 Stove	3			
4		920123 Lock Washer, 5/16 External Tooth	3			
5		915112 Nut, 5/16 - 18 Hex	3			
14	1M-856-B	PANEL, Splash - Left	1		269001-	403001-
2		S-2558 Fastener, 1/4 - 20 x 1/2 Sems	6			
3		S-2959 Bolt, 5/16 - 18 x 1/2 Stove	3			
4		920123 Lock Washer, 5/16 External Tooth	3			
5		915112 Nut, 5/16 - 18 Hex	3			
6	1M-856	SHEET, Fender to Panel - Left - Orchard	1			
7		909019 Screw, No. 10 - 24 x 1/2 Mch	1			
8		920079 Lock Washer, No. 10	1			
9		915538 Nut, No. 10 - 24 Hex	1			
10		S-2558 Fastener, 1/4 - 20 x 1/2 Sems	2			
11		S-2959 Bolt, 5/16 - 18 x 1/2 Stove	3			
12		920123 Lock Washer, 5/16 External Tooth	3			
13		915112 Nut, 5/16 - 18 Hex	3			

WHEEL GUARDS, EXTENSIONS AND SPLASH PANELS



Ref. No.	Part Number	Description	No. Req.	Row Crop Set'd Number	Standard Serial Number	Industrial Serial Number
15	IMS-858	EXTENSION Assembly, Platform - Right 908330 Cap Screw, 3/8 - 16 x 3/4 Hex Hd 920083 Lock Washer, 3/8 915113 Nut, 3/8 - 16 Hex	1 2 2 2	320001-	269001-	403001-
15	IMS-858-A	EXTENSION Assembly, Platform -Right 908330 Cap Screw, 3/8 - 16 x 3/4 Hex Hd 920083 Lock Washer, 3/8 915113 Nut, 3/8 - 16 Hex	1 2 2 2	320001-		
16	IMS-859	EXTENSION Assembly, Platform - Left 908330 Cap Screw, 3/8 - 16 x 3/4 Hex Hd 920083 Lock Washer, 3/8 915113 Nut, 3/8 - 16 Hex	1 2 2 2	320001-		
16	IMS-859-B	EXTENSION Assembly, Platform - Left (Required when tractor is equipped with Clutch Hand Control) 908330 Cap Screw, 3/8 - 16 x 3/4 Hex Hd 920083 Lock Washer, 3/8 915113 Nut, 3/8 - 16 Hex	1 2 2 2	320001-		
16	IMS-859-A	EXTENSION Assembly, Platform - Left 908330 Cap Screw, 3/8 - 16 x 3/4 Hex Hd 920083 Lock Washer, 3/8 915113 Nut, 3/8 - 16 Hex	1 2 2 2		269001-	403001-
16	IMS-859-C	EXTENSION Assembly, Platform - Left (Required when tractor is equipped with Clutch Hand Control) 908330 Cap Screw, 3/8 - 16 x 3/4 Hex Hd 920083 Lock Washer, 3/8 915113 Nut, 3/8 - 16 Hex	1 2 2 2		269001-	403001-

WHEEL GUARDS, EXTENSIONS AND SPLASH PANELS



Ref. No.	Part Number	Description	No. Req.	Row Crop Serial Number	Standard Serial Number	Industrial Serial Number
20	IKS-860	GUARD, Rear Wheel	2	320001-		
21		908355 Cap Screw, 1/2 - 13 x 1 Hex Hd	12			
22		920085 Lock Washer, 1/2 (On Dual Rear Wheel tractors 908363 is used instead of 908355)	12			
20A	IKS-860-A	GUARD, Rear Wheel	2			
21		908355 Cap Screw, 1/2 - 13 x 1 Hex Hd	12			
22		920085 Lock Washer, 1/2	12		269001-	403001-
23	1MS-860	FENDER Assembly - Right - Orchard	1			
24		908359 Cap Screw, 1/2 - 13 x 2 Hex Hd	5			
25		920085 Lock Washer, 1/2	5			
23	1MS-861	FENDER Assembly - Left - Orchard	1			
24		908359 Cap Screw, 1/2 - 13 x 2 Hex Hd	5			
25		920085 Lock Washer, 1/2	5			
26	1M-868	BAR, Fender Tile - Orchard	1			
27		908333 Cap Screw, 3/8 - 16 x 1-1/4 Hex Hd	4			
28		920083 Lock Washer, 3/8	4			
29		915113 Nut, 3/8 - 16 Hex	4			

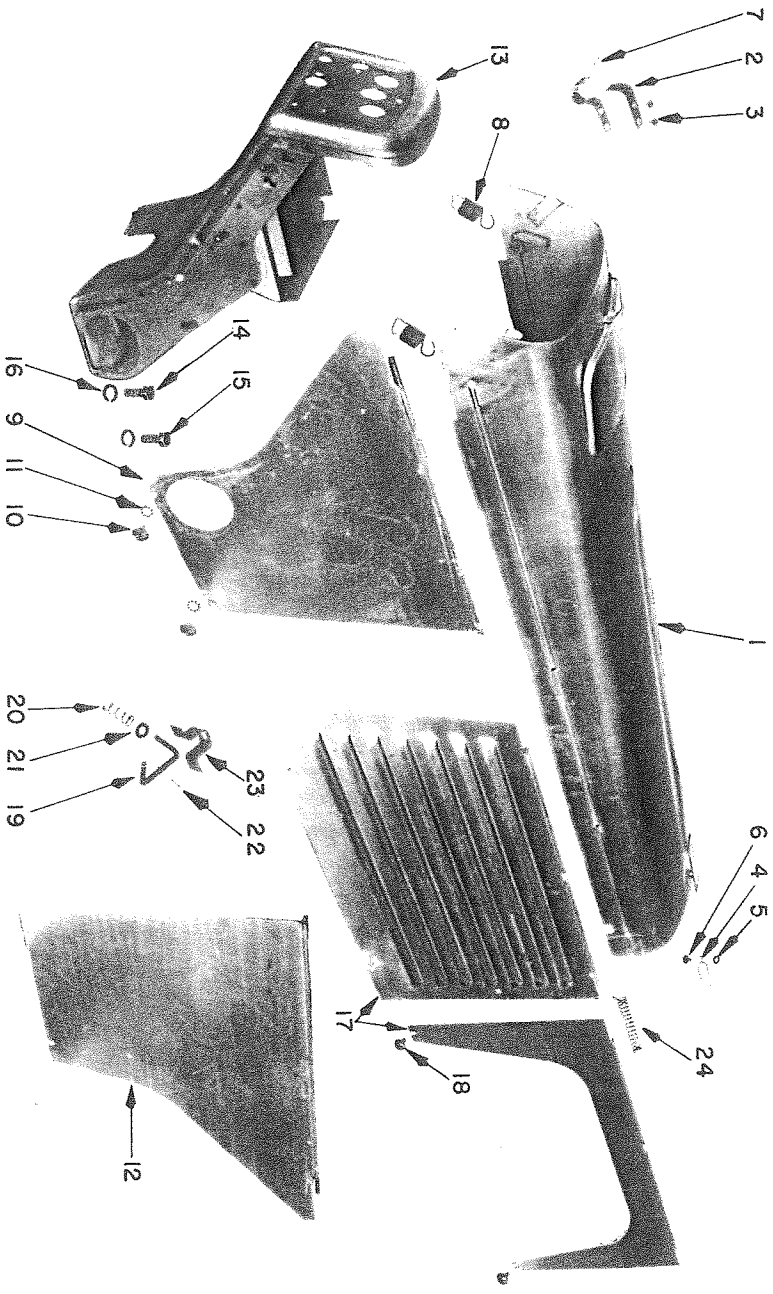
WHEEL GUARDS, EXTENSIONS AND SPLASH PANELS

Ref. No.	Part Number	Description	No. Req.	Row Crop Ser'd. Number	Standard Ser'd. Number	Industrial Ser'd. Number
31	1M-868-A	REINFORCEMENT, Rear Panel - Outer - Orchard (With Standard Type Wheel Guards) 908333 Cap Screw, 3/8 - 16 x 1-1/4 Hex Hd 920083 Lock Washer, 3/8 915113 Nut, 3/8 - 16 Hex	1 4 4 4			
32	1K-872	SPACER, Wheel Guard Support (For Dual Rear Tractors) 908363 Cap Screw, 1/2 - 13 x 3 Hex Hd 920085 Lock Washer, 1/2	6	320001-		
33	1M-872	ADAPTER, Wheel Guard - Orchard (With Standard Type Wheel Guards)	6			
34	1KS-1191	EXTENSION Assembly, Wheel Guard 900234 Bolt, 3/8 - 16 x 1 Carriage 920124 Lock Washer, 3/8 Shockproof 920009 Washer, 3/8 Plain 915113 Nut, 3/8 - 16 Hex	2 12 12 12 12	320001-	269001-	403001-
35	1KS-1191-A	EXTENSION Assembly, Wheel Guard 900234 Bolt, 3/8 - 16 x 1 Carriage 920124 Lock Washer, 3/8 Shockproof 920009 Washer, 3/8 Plain 915113 Nut, 3/8 - 16 Hex	2 12 12 12 12			
36	1MS-1191	EXTENSION Assembly, Fender - Right - Orchard 908333 Cap Screw, 3/8 - 16 x 1-1/4 Hex Hd 920083 Lock Washer, 3/8 S-2959 Bolt, 5/16 - 18 x 1/2 Stove S-2964 Bolt, 5/16 - 18 x 1-1/8 Stove 920123 Lock Washer, 5/16 External Tooth 915112 Nut, 5/16 - 18 Hex	1 1 1 8 3 2 2			
37	1MS-1192	EXTENSION Assembly, Fender - Left - Orchard 908333 Cap Screw, 3/8 - 16 x 1-1/4 Hex Hd 920083 Lock Washer, 3/8 S-2959 Bolt, 5/16 - 18 x 1/2 Stove S-2964 Bolt, 5/16 - 18 x 1-1/8 Stove 920123 Lock Washer, 5/16 External Tooth 915112 Nut, 5/16 - 18 Hex	1 1 1 8 3 2 2			
38	1MS-1193	SHEET Assembly, Fender Outer - Right - Orchard S-2959 Bolt, 5/16 - 18 x 1/2 Stove S-2963 Bolt, 5/16 - 18 x 7/8 Stove 920123 Lock Washer, 5/16 External Tooth 915112 Nut, 5/16 - 18 Hex	1 7 3 3			
39	1MS-1194	SHEET Assembly, Fender Outer - Left - Orchard S-2959 Bolt, 5/16 - 18 x 1/2 Stove S-2963 Bolt, 5/16 - 18 x 7/8 Stove 920123 Lock Washer, 5/16 External Tooth 915112 Nut, 5/16 - 18 Hex	1 7 3 3			
40	1M-1197	SUPPORT, Fender Extension - Right - Orchard 908317 Cap Screw, 5/16 - 18 x 1 Hex Hd 920082 Lock Washer, 5/16	1 1 1			
41	1M-1198	SUPPORT, Fender Extension - Left - Orchard 908317 Cap Screw, 5/16 - 18 x 1 Hex Hd 920082 Lock Washer, 5/16	1 1 1			
42	1MS-1315	COWL Assembly, Steering Wheel - Orchard S-2558 Fastener, 1/4 - 20 x 1/2 Sens	1 6			
43	1K-2097	LATCH, Hydro-Electric Cylinder Support 920009 Washer, 3/8 Plain 915586 Nut, 3/8 - 16 Wing	Req. Req. Req.	320001-340546	269001-273774	
44	1K-2100	SUPPORT, Hydro-Electric Cylinder (Order 1KS-2100-C)	Req.	320001-340546	269001-273774	

WHEEL GUARDS, EXTENSIONS AND SPLASH PANELS

Ref. No.	Part Number	Description	No. Req.	Row Crop Ser'd Number	Standard Ser'd Number	Industrial Ser'd Number
59	IKS-2100	SUPPORT (1K-2100) with Latch (1K-2097), Washer (920009) and Nut, (915586), Hydro-Lectric Cylinder (Order IKS-2100-C)	Req.	320001-340546	269001-273774	
60		908330 Cap Screw, 3/8 - 16 x 3/4 Hex Hd	Req.			
61		920083 Lock Washer, 3/8	Req.			
62		915113 Nut, 3/8 - 16 Hex	Req.			
59	IKS-2100-A	SUPPORT Assembly, Hydraulic Cylinder (Used with IKS-A-2061-C Cylinder)	Req.	340547-350913		
60		908330 Cap Screw, 3/8 - 16 x 3/4 Hex Hd	Req.			
61		920083 Lock Washer, 3/8	Req.			
62		915149 Nut, 3/8 - 16 Hex	Req.			
59	IKS-2100-B	SUPPORT Assembly, Hydraulic Cylinder (Used with IKS-A-2061-D Cylinder)	Req.	350914-6502	273775-6502	
60		908330 Cap Screw, 3/8 - 16 x 3/4 Hex Hd	Req.			
61		920083 Lock Washer, 3/8	Req.			
62		915149 Nut, 3/8 - 16 Hex	Req.			
59	IKS-2100-C	SUPPORT Assembly, Cylinder	Req.	6503-	6503-	
60		908330 Cap Screw, 3/8 - 16 x 3/4 Hex Hd	Req.			
61		920083 Lock Washer, 3/8	Req.			
62		915149 Nut, 3/8 - 16 Hex	Req.			

HOOD, SIDE DOORS AND REAR PANEL



Ref. No.	Part Number	Description	No. Req.	Row Crop Serial Number	Standard Serial Number	Industrial Serial Number
1	IMS-806	HOOD With Battery Door	1	320001-6502	269001-6502	403001-6502
1	IMS-806-A	HOOD With Battery Door - Orchard	1			
1	IMS-806-B	HOOD With Battery Door (For LP Gas)	1	320001-6502	269001-6502	
1	IMS-806-C	HOOD With Battery Door	1	6503-	6503-	6503-
2	IK-808	REINFORCEMENT, Battery Door Latch 923292 Rivet, 2 lb. Tinners	1	320001-	269001-	403001-
3			2			
4	IP-809-A	SPRING, Hood Bar Latch 920004 Washer, No. 8 Platin 923216 Rivet, 3/16 x 1/4 Wagon Box Hd	1	320001-	269001-	403001-
4			1			
5			1			
6			1			
7	IK-809	LATCH, Battery Door	1	320001-	269001-	403001-
8	IK-812-A	SPRING, Hood	2	320001-	269001-	403001-
9	IMS-1015	DOOR With Hinge Spring (1K-1387), Clutch Compartment - Right	1	320001-	269001-	403001-
10			4			
10			4			
11			4			
12	IMS-1016	DOOR With Hinge Spring (1K-1387), Clutch Compartment - Left	1	320001-	269001-	403001-
10			4			
10			4			
11			4			

SECTION I
TRACTOR-GENERAL

77 PARTS BOOK

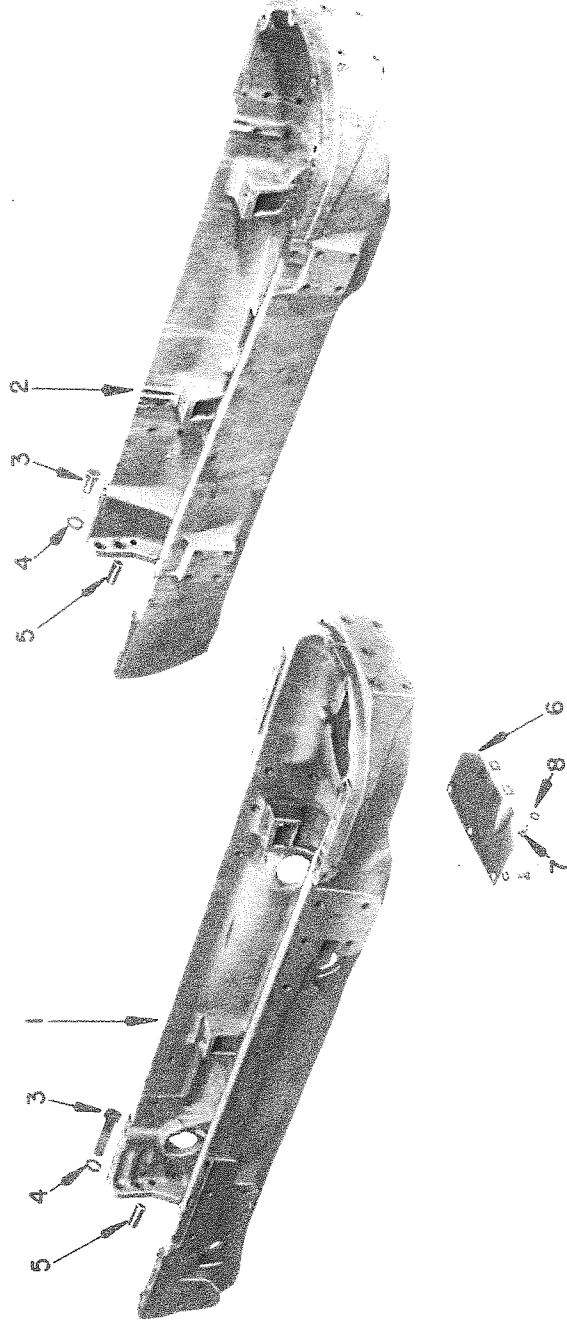
HOOD, SIDE DOORS AND REAR PANEL

Ref. No.	Part Number	Description	No. Req.	Row Crop Serial Number	Standard Serial Number	Industrial Serial Number
13	IMS-1372-H	PANEL Assembly, Rear - HC	1	320001-6502	269001-6502	403001-6502
14		908331 Cap Screw, 3/8 - 16 x 7/8 Hex Hd	3			
15		908330 Cap Screw, 3/8 - 16 x 3/4 Hex Hd	1			
16		920083 Lock Washer, 3/8	4			
13	IMS-1372-J	PANEL Assembly, Rear - KD and Diesel	1	320001-6502	269001-6502	403001-6502
14		908331 Cap Screw, 3/8 - 16 x 7/8 Hex Hd	3			
15		908330 Cap Screw, 3/8 - 16 x 3/4 Hex Hd	1			
16		920083 Lock Washer, 3/8	4			
13	IMS-1372-K	PANEL Assembly, Rear - HC - Orchard (Tractor Serial Number 269001-6502)	1			
14		908331 Cap Screw, 3/8 - 16 x 7/8 Hex Hd	3			
15		908330 Cap Screw, 3/8 - 16 x 3/4 Hex Hd	1			
16		920083 Lock Washer, 3/8	4			
13	IMS-1372-L	PANEL Assembly, Rear - KD and Diesel - Orchard (Tractor Serial Number 269001-6502)	1			
14		908331 Cap Screw, 3/8 - 16 x 7/8 Hex Hd	3			
15		908330 Cap Screw, 3/8 - 16 x 3/4 Hex Hd	1			
16		920083 Lock Washer, 3/8	4			
13	IMS-1372-P	PANEL Assembly, Rear - HC	1	6503-	6503-	6503-
14		908331 Cap Screw, 3/8 - 16 x 7/8 Hex Hd	3			
15		908330 Cap Screw, 3/8 - 16 x 3/4 Hex Hd	1			
16		920083 Lock Washer, 3/8	4			
13	IMS-1372-Q	PANEL Assembly, Rear - Diesel	1	6503-	6503-	6503-
14		908331 Cap Screw, 3/8 - 16 x 7/8 Hex Hd	3			
15		908330 Cap Screw, 3/8 - 16 x 3/4 Hex Hd	1			
16		920083 Lock Washer, 3/8	4			
13	IMS-1372-R	PANEL Assembly, Rear - Diesel - Orchard (Tractor Serial Number 6503-)	1			
14		908331 Cap Screw, 3/8 - 16 x 7/8 Hex Hd	3			
15		908330 Cap Screw, 3/8 - 16 x 3/4 Hex Hd	1			
16		920083 Lock Washer, 3/8	4			
13	IMS-1372-S	PANEL Assembly, Rear - HC - Orchard (Tractor Serial Number 6503-)	1			
14		908331 Cap Screw, 3/8 - 16 x 7/8 Hex Hd	3			
15		908330 Cap Screw, 3/8 - 16 x 3/4 Hex Hd	1			
16		920083 Lock Washer, 3/8	4			
17	IMS-1377	DOOR Assembly, Hood - Right - HC (Continued to be used on Orchard after Serial Number 6502)	1	320001-6502	269001-6502	403001-6502
17		DOOR Assembly, Hood - Right - Diesel (Continued to be used on Orchard after Serial Number 6502)	1			
17	IMS-A-1377-D	PANEL Assembly, Hood Side - Right - HC and Diesel S-2559 Sms Unit, 5/16 - 18 x 1/2 Slotted Truss Hd	1	6503-	6503-	6503-
18		DOOR Assembly, Hood - Left - HC (Continued to be used on Orchard after Serial Number 6502)	2			
17	IMS-1378	DOOR Assembly, Hood - Left - HC (Continued to be used on Orchard after Serial Number 6502)	1	320001-6502	269001-6502	403001-6502
17		DOOR Assembly, Hood - Left - Diesel (Continued to be used on Orchard after Serial Number 6502)	1			
17	IMS-A-1378-D	PANEL Assembly, Hood Side - Left - HC and Diesel S-2559 Sms Unit, 5/16 - 18 x 1/2 Slotted Truss Hd	1	6503-	6503-	6503-
18		LATCH, Hood - Right (Continued to be used on Orchard after Serial Number 6502)	2			
19	1K-1380	LATCH, Hood - Left (Continued to be used on Orchard after Serial Number 6502)	2	320001-6502	269001-6502	403001-6502
19		LATCH, Hood - Left (Continued to be used on Orchard after Serial Number 6502)	2			

HOOD, SIDE DOORS AND REAR PANEL

Ref. No.	Part Number	Description	No. Req.	Row Crop Serial Number	Standard Serial Number	Industrial Serial Number
20	1B-1381-A	SPRING, Door Latch (Continued to be used on Orchard after Serial Number 6592)	4	32 0001-6502	269001-6502	403001-6502
21		920007 Washer, 1/4 Plain	4			
22		932000 Cotter Pin, 1/16 x 7/16	4			
23	1B-1382-A	BRACKET, Door Latch (Continued to be used on Orchard after Serial Number 6502)	4	32 0001-6502	269001-6502	403001-6502
24	1K-1387	SPRING, Hinge Rod	4	32 0001-	269001-	403001-

FRONT FRAME

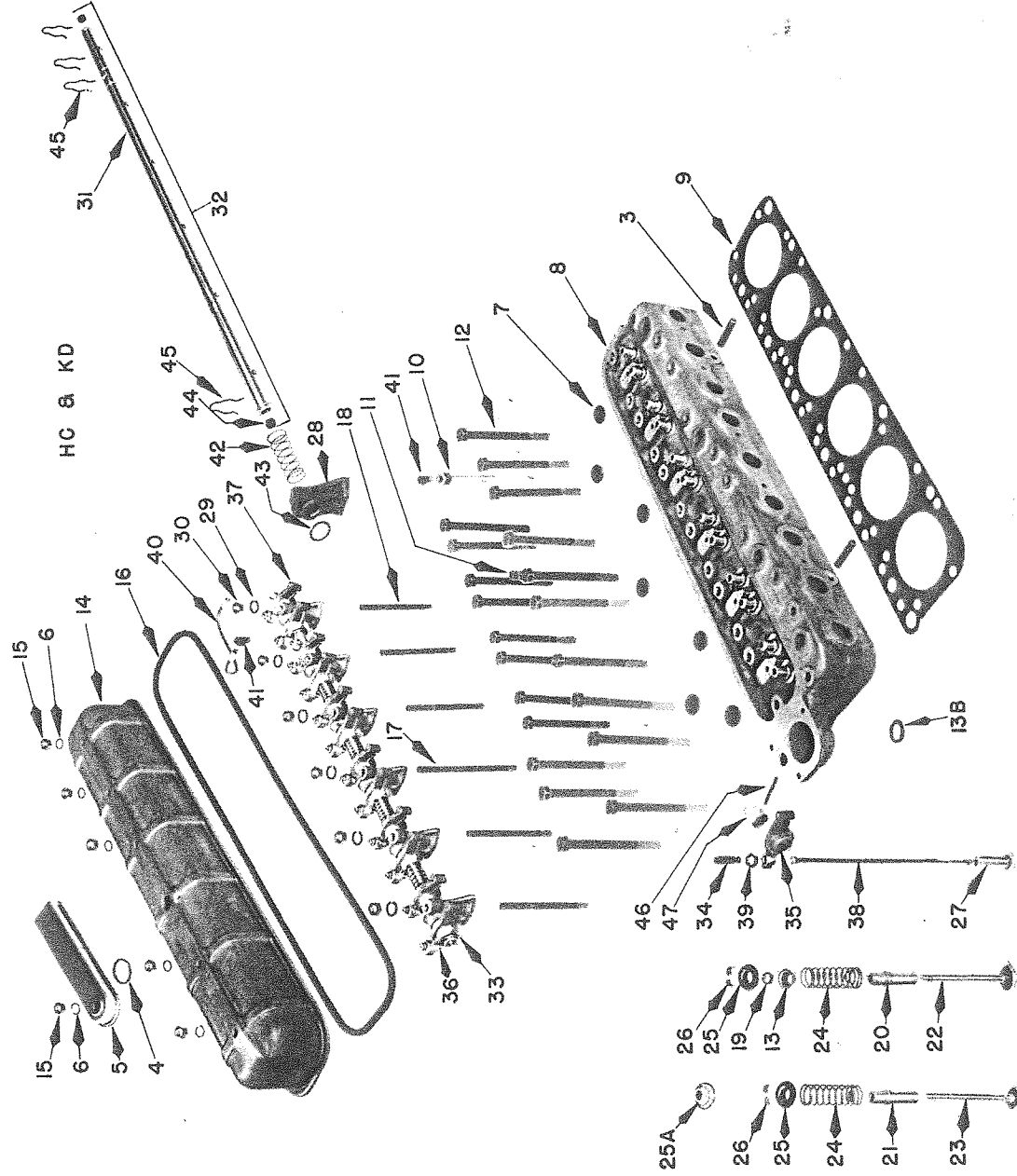


Ref. No.	Part Number	Description	No. Req.	Row Crop Serial Number	Standard Serial Number	Industrial Serial Number
1	1M-500-H	FRAME, Front Main (Replaces 1M-500 and 1M-500-D)	1	320001-		
2	1M-500-F	FRAME, Front Main (Replaces 1M-500-A and 1M-500-C)	1		269001-	403001-
2	1M-500-G	FRAME, Front Main - Orchard (Replaces 1M-500-B and 1M-500-E)	1		269001-	403001-
3	IK-595	CAP SCREW, Front Main Frame (3/4 - 10 x 2-1/2)	6	320001-		
4		920089 Lock Washer, 3/4	6			
5	IC-597	DOWEL PIN, Front Frame to Rear Frame	2	320001-	269001-	403001-
6	IKS-1000	SHIELD, Front Main Frame Dirt	1			
7		908330 Cap Screw, 3/8 - 16 x 3/4 Hex Hd	5	320001-		
8		920083 Lock Washer, 3/8	5			

NAME PLATE AND TRANSFERS

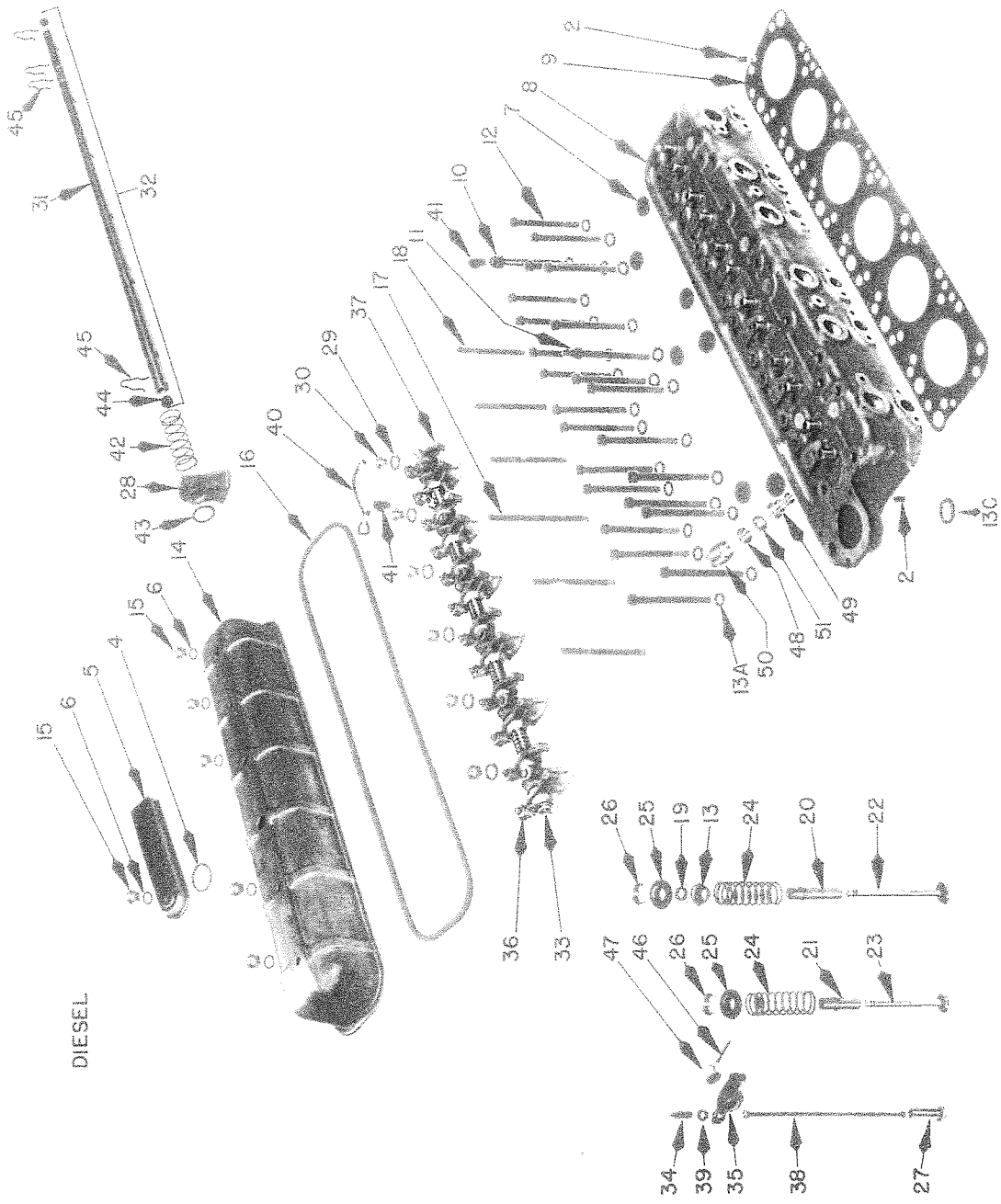
Ref. No.	Part Number	Description	No. Req.	Row Copy Serial Number	Standard Serial Number	Industrial Serial Number
	IK-438-E	PLATE, Name S-2561 Screw, No. 6 x 1/4 Slotted Truss Hd	1	320001-	269001-	403001-
	IK-438-F	PLATE, Name - LP Gas S-2561 Screw, No. 6 x 1/4 Rd Hd Drive	3	320001-	269001-	
	IK-908	TRANSFER, Gear Shift (Order 1KA-908 and 2 S-2561)	3	320001-323150	269001-269940	
	IKA-908	PLATE, Gear Shift Diagram S-2561 Screw, No. 6 x 1/4 Slotted Truss Hd	1	323151-	269941-	
	IK-908-A	TRANSFER, Gear Shift (Multiple Reverse Speed) (Order 1KA-908-A and 2 S-2561)	2	320001-337242		
	IKA-908-A	PLATE, Gear Shift Diagram (Multiple Reverse Speed) S-2561 Screw, No. 6 x 1/4 Slotted Truss Hd	1	337243-6502		
	IKA-908-B	PLATE, Gear Shift Diagram S-2561 Screw, No. 6 x 1/4 Slotted Truss Hd	2			403001-
	IMAS-976	TRANSFER SET - HC and KD	1	320001-6502		
	IMAS-976-A	TRANSFER SET - HC and KD	1		269001-6502	403001-6502
	IMAS-976-B	TRANSFER SET - HC				
	IMAS-976-C	TRANSFER SET - Diesel	1	320001-6502		
	IMAS-976-D	TRANSFER SET - Diesel	1		269001-6502	
	IMAS-976-E	TRANSFER SET - Diesel	1			
	IMAS-976-F	TRANSFER SET - HC and KD - Orchard (Tractor Serial Number 269001-6502)	1			
	IMAS-976-G	TRANSFER SET - Diesel - Orchard (Tractor Serial Number 269001-6502)	1			
	IMAS-976-H	TRANSFER SET - HC	1	6503-	6503-	6503-
	IMAS-976-J	TRANSFER SET - Diesel	1	6503-	6503-	6503-
	IMAS-976-K	TRANSFER SET - HC	1			
	IMAS-976-L	TRANSFER SET - Diesel	1			

CYLINDER HEAD AND VALVE MECHANISM



Ref. No.	Part Number	Description	No. Req.	Row Chop Serial Number	Standard Serial Number	Industrial Serial Number
13A	1C-111	WASHER, Cylinder Head Cap Screw - Diesel	25	320001-	269001-	403001-
2	1H-133	DOWEL PIN, Cylinder Head to Crankcase - Diesel	2	320001-	269001-	403001-
3	1H-134	DOWEL PIN, Manifold to Cylinder Head - HC & KD	2	320001-	269001-	403001-
4	1H-139	GASKET, Breather	1	320001-	269001-	403001-
5	1K-148	BREATHER	1	320001-	269001-	403001-
6	1C-169	WASHER, Rocker Arm Cover Copper	6	320001-	269001-	403001-
7	1M-180-C	HEAD, Cylinder - HC (Order 1MS-180-C) S-2532 Plug, 1 Dia Expansion	1 7	320001-65 02	269001-65 02	403001-65 02
8	1MS-180-C	HEAD (1M-180-C) with Guides (1KR-195 and 1KR-195-A), Cylinder - HC	1	320001-65 02	269001-65 02	403001-65 02
	1MSA-180-C	HEAD And Valves, Cylinder - HC (Order 1MSE-180-C) (Up to Engine Serial Number 924780 Inclusive)	1	320001-65 02	269001-65 02	403001-65 02

CYLINDER HEAD AND VALVE MECHANISM



Ref. No.	Part Number	Description	No. Req.	Row Crop Serial Number	Standard Serial Number	Industrial Serial Number
	1MSB-180-C	HEAD And Valves, Cylinder - HC. (Engine Serial Number 924781-931623)	1	370001-6502	269001-6502	403001-6502
	1MSC-180-C	HEAD And Valves, Cylinder - HC (Order 1MSB-180-C) (Engine Serial Number 931624-952587)	1	320001-6502	269001-6502	403001-6502
7	1M-180-D	HEAD, Cylinder - HC (Order 1MS-180-D) S-2532 Plug, 1 Dia Expansion	1 7	6503-	6503-	6503-
8	1MS-180-D	HEAD (1M-180-D) With Guides (1KR-195 and 1KR-195-A, Cylinder - HC	1	6503-	6503-	6503-
	1MSA-180-D	HEAD And Valves, Cylinder - HC	1	6503-	6503-	6503-
7	1M-180-A	HEAD, Cylinder - Diesel (Order 1MS-180-A) S-2532 Plug, 1 Dia Expansion	1 7	320001-6502	269001-6502	403001-6502
8	1MS-180-A	HEAD (1M-180-A) With Guides (1KR-195-B and 1KR-195-C), Cylinder - Diesel	1	320001-6502	269001-6502	403001-6502

CYLINDER HEAD AND VALVE MECHANISM

Ref. No.	Part Number	Description	No. Req.	Row Crop Serial Number	Standard Serial Number	Industrial Serial Number
	IMS-A-180-A	HEAD And Valves, Cylinder - Diesel (Energy Cells Included) (Up to Engine Serial Number 921847 Inclusive)	1	320001-6502	269001-6502	403001-6502
	IMS-B-180-A	HEAD And Valves Assembly - Diesel (Order IMS-A-180-A) (Energy Cells Included) (Temporarily used. Replaced by IMS-A-180-A) (Engine Serial Number 921848-952588)	1	320001-6502	269001-6502	403001-6502
7	IM-180-H	HEAD, Cylinder - Diesel (Order IMS-180-H) S-2532 Plug, 1 Dia Expansion	1 7	6503-	6503-	6503-
8	IMS-180-H	HEAD (IM-180-H) With Guides (IKR-195-B and IKR-195-C), Cylinder - Diesel	1	6503-	6503-	6503-
	IMS-A-180-H	HEAD And Valves, Cylinder - Diesel (Energy Cells Included)	1	6503-	6503-	6503-
7	IM-180-B	HEAD, Cylinder - KD (Order IMS-180-B) S-2532 Plug, 1 Dia Expansion	1 7	320001-	269001-	269001-
8	IMS-180-B	HEAD (IM-180-B) With Guides (IKR-195 and IKR-195-A), Cylinder - KD	1	320001-	269001-	269001-
	IMS-A-180-B	HEAD And Valves, Cylinder - KD	1	320001-6502	269001-6502	403001-6502
9	IM-181-A	GASKET, Cylinder Head - Diesel	1	6503-	6503-	6503-
9	IM-181-B	GASKET, Cylinder Head - Diesel	1	320001-	269001-	403001-
9	IM-181-C	GASKET, Cylinder Head - HC and KD	1	320001-	269001-	403001-
	IMSB-181	GASKET SET For Sleeve and Piston Replacement - HC	1	320001-6502	269001-6502	403001-6502
	IMS-A-181-A	GASKET SET For Sleeve and Piston Replacement - Diesel	1	320001-	269001-	403001-
	IMS-A-181-B	GASKET SET For Sleeve and Piston Replacement - KD	1	320001-	269001-	403001-
	IMS-A-181-C	GASKET SET For Sleeve and Piston Replacement - Diesel	1	6503-	6503-	6503-
10	IK-182	SCREW, Cylinder Head Oil - HC and Diesel (1/2 - 13 x 5)	1	320001-	269001-	403001-
10	IK-182-A	SCREW, Cylinder Head Oil - KD (1/2 - 13 x 5-3/8)	1	320001-	269001-	403001-
11	IK-183	CAP SCREW, Cylinder Head - HC and Diesel (1/2 - 13 x 5) (1 used on Diesel up to Row Crop 335702, Standard 272370, Industrial 403185) (3 used on Diesel after Row Crop 335703, Standard 272371, Industrial 403186)	1	320001-	269001-	403001-
11	IK-183-C	CAP SCREW, Cylinder Head (Lifting Adapter) - KD (1/2 - 13 x 5-3/8)	1	320001-	269001-	403001-
12	IK-183-A	CAP SCREW, Cylinder Head - HC and Diesel (1/2 - 13 x 5) (23 used on Diesel up to Row Crop 335702, Standard 272370, Industrial 403185) (21 used on Diesel after Row Crop 335703, Standard 272371, Industrial 403186)	15	320001-	269001-	403001-
12	IK-183-B	CAP SCREW, Cylinder Head - KD (1/2 - 13 x 5-1/2)	15	320001-	269001-	403001-
13	IH-188	GUARD, Intake Valve Stem Oil	6	320001-	269001-	403001-
13A	IC-111	WASHER, Cylinder Head Cap Screw - Diesel	25	320001-	269001-	403001-
13B	IH-190	INSERT, Exhaust Valve Seat - HC and KD	6	320001-6502	269001-6502	403001-6502

CYLINDER HEAD AND VALVE MECHANISM

Ref. No.	Part Number	Description	No. Req.	Row Crop Serial Number	Standard Serial Number	Industrial Serial Number
13C	1M-190-A	INSERT, Exhaust Valve Seat - Diesel	6	320001-6502	269001-6502	403001-6502
14	1M-191	COVER, Cylinder Head	1	320001-	269001-	403001-
15		915002 Nut, 3/8 - 24 Hex	6			
16	1M-192	GASKET, Cylinder Head Cover	1	320001-	269001-	403001-
17	1K-193	STUD, Cylinder Head Cover - Long (3/8 - 24 x 5-1/16)	1	320001-	269001-	403001-
18	1K-193-A	STUD, Cylinder Head Cover - Short (3/8 - 24 x 4-11/16)	5	320001-	269001-	403001-
19	1H-194	GASKET, Intake Valve Stem Oil Guard	6	320001-	269001-	403001-
20	1KR-195	GUIDE, Intake Valve - HC and KD	6	320001-	269001-	403001-
21	1KR-195-A	GUIDE, Exhaust Valve - HC and KD	6	320001-	269001-	403001-
20	1KR-195-B	GUIDE, Intake Valve - Diesel	6	320001-	269001-	403001-
21	1KR-195-C	GUIDE, Exhaust Valve - Diesel	6	320001-	269001-	403001-
22	1M-196	VALVE, Intake - HC and KD	6	320001-6502	269001-6502	403001-6502
22	1K-196	VALVE, Intake - HC	6	6503-	6503-	6503-
22	1M-196-A	VALVE, Intake - Diesel	6	320001-6502	269001-6502	403001-6502
22	1M-196-B	VALVE, Intake - Diesel	6	6503-	6503-	6503-
23	1M-197	VALVE, Exhaust - HC and KD	6	320001-6502	269001-6502	403001-6502
23	1K-197	VALVE, Exhaust - HC	6	6503-	6503-	6503-
23	1M-197-A	VALVE, Exhaust - Diesel	6	320001-6502	269001-6502	403001-6502
23	1M-197-C	VALVE, Exhaust - Diesel	6	6503-	6503-	6503-
24	1K-198-A	SPRING, Valve - Exhaust - HC (Engine Serial Number 924781-)	6			
25	1H-199	RETAINER, Valve Spring - HC, KD and Diesel (12 used on all Diesel and KD Engines) (12 used on HC up to Engine Serial No. 924780 In c.) (6 used on Intake HC Engine Serial No. 924781-)	12			
25A	1K-199	ROTATOR, Exhaust Valve - HC (Engine Serial Number 924781-)	6			
1KSR-199		ROTATOR (1K-199) and Spring (1K-198-A) Package - HC	6			
26	1B-200-A	LOCK, Valve Spring Retainer	12 pr.	320001-	269001-	403001-
27	1M-201	LIFTER, Valve	12	320001-	269001-	403001-
28	1M-203	SUPPORT, Rocker Arm (Up to Engine Serial Number 964500 Inclusive)	6	320001-	269001-	403001-
29		920083 Lock Washer, 3/8	6			
30		915002 Nut, 3/8 - 24 Hex	6			
28	1M-203-B	SUPPORT, Rocker Arm (Engine Serial Number 964501-)	6			
29		920083 Lock Washer, 3/8	6			
30		915002 Nut, 3/8 - 24 Hex	6			
31	1M-204	SHAFT, Rocker Arm (Order 1MS-204) (Up to Engine Serial Number 868205 Inclusive)	1			

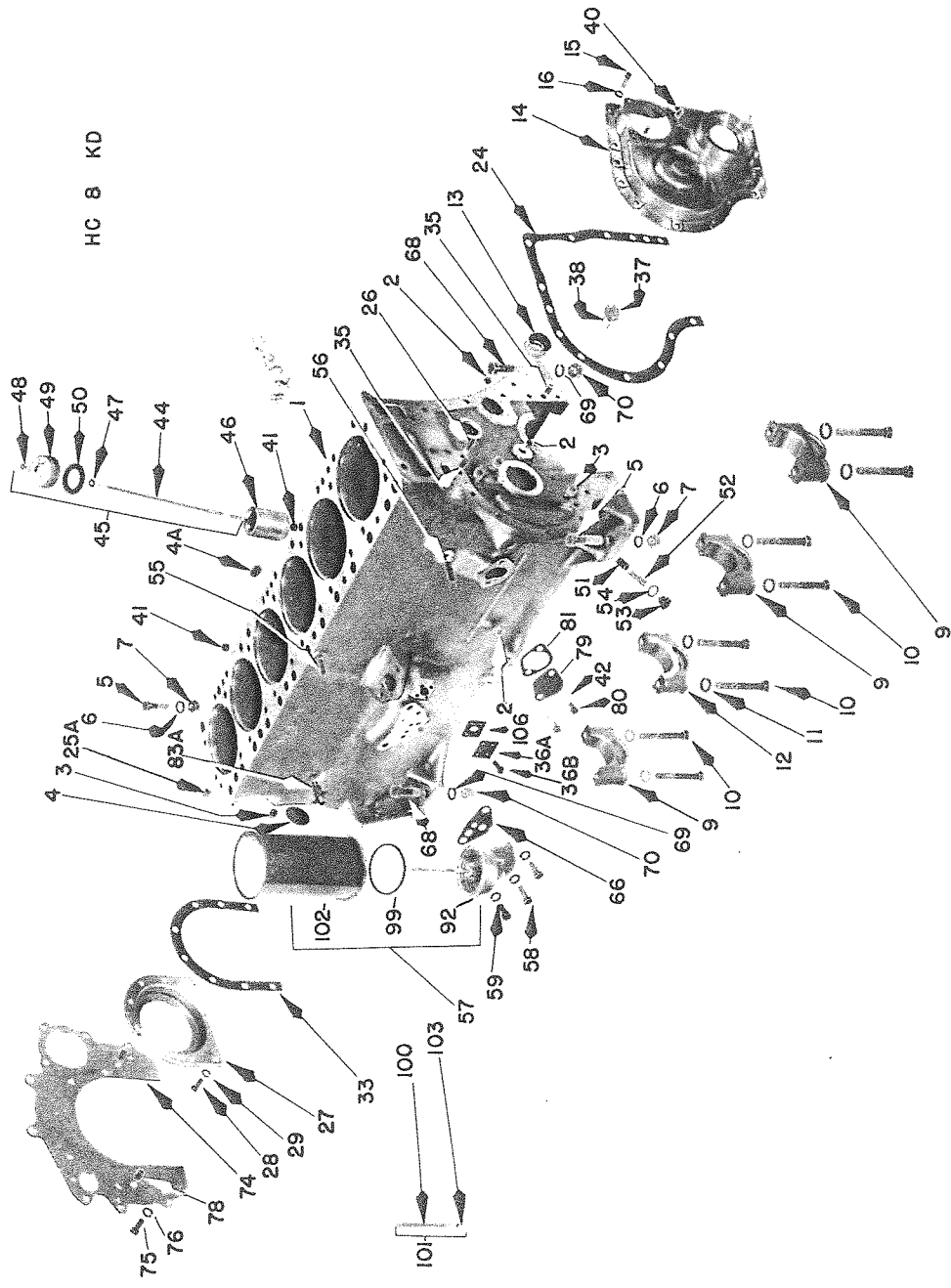
CYLINDER HEAD AND VALVE MECHANISM

Ref. No.	Part Number	Description	No. Req.	Row Crop Serial Number	Standard Serial Number	Industrial Serial Number
31	1M-204-A	SHAFT, Rocker Arm (Order 1MS-204-A) (Wickless Rocker Arms) (Engine Serial Number 868206-)	1			
32	1MS-204	SHAFT With Plug (1H-212), Rocker Arm (Order 1MS-204-A and 1KS-209-A) (Up to Engine Serial Number 868205 Inclusive)	1			
32	1MS-204-A	SHAFT With Plug (1H-212), Rocker Arm (Wickless Rocker Arms) (Engine Serial Number 868206-)	1			
33	1MSA-204	SHAFT With Rocker Arm Assembly, Rocker Arm - HC and KD (Order 1MSC-204-A and 1KS-209-A) (Up to Engine Serial Number 868205 Inclusive)	1			
33	1MSA-204-A	SHAFT With Rocker Arm Assembly, Rocker Arm - HC and KD (Order 1MSC-204-A) (Engine Serial Number 868206-931623)	1			
33	1MSC-204-A	SHAFT With Rocker Arm Assembly, Rocker Arm - HC (Engine Serial Number 931624-964500)	1			
33	1MSA-204-B	SHAFT With Rocker Arm Assembly, Rocker Arm - HC (Engine Serial Number 964501-)	1			
33	1MSB-204	SHAFT With Rocker Arm Assembly, Rocker Arm - Diesel (Order 1MSD-204-A and 1KS-209-A) (Up to Engine Serial Number 868205 Inclusive)	1			
33	1MSB-204-A	SHAFT With Rocker Arm Assembly, Rocker Arm - Diesel (Order 1MSD-204-A) (Engine Serial Number 868206-921909)	1 1			
33	1MSD-204-A	SHAFT With Rocker Arm Assembly, Rocker Arm - Diesel (Engine Serial Number 921910-964500)	1			
33	1MSB-204-B	SHAFT With Rocker Arm Assembly, Rocker Arm - Diesel (Engine Serial Number 964501-)	1			
34	1B-205-A	SCREW, Rocker Arm Adjusting (Up to Engine Serial Number 868205 Inclusive)	12			
34	1K-205	SCREW, Rocker Arm Adjusting (Engine Serial Number 868206-915085 Nut, 3/8 - 24 Hex Jam)	12			
39			12			
35	1K-206	ARM, Valve Rocker - LH (Order 1KS-206) (Up to Engine Serial Number 868205 Inclusive)	6			
36	1KS-206	ARM (1K-206) With Bushing (1H-214), Valve Rocker - LH (Up to Engine Serial Number 868205 Inclusive)	6			
35	1K-206-B	ARM, Valve Rocker - LH (Wickless) (Engine Serial Number 868206-921909)	6			
36	1KS-206-B	ARM Assembly, Valve Rocker - LH (Wickless) (Engine Serial Number 868208-921909)	6			
35	1K-206-D	ARM, Valve Rocker - LH (Wickless) (Engine Serial Number 921910-)	6			
36	1KS-206-D	ARM Assembly, Valve Rocker - LH (Wickless) (Engine Serial Number 921910-)	6			
35	1K-206-A	ARM, Valve Rocker - RH (Order 1KS-206-A) (Up to Engine Serial Number 868205 Inclusive)	6			

CYLINDER HEAD AND VALVE MECHANISM

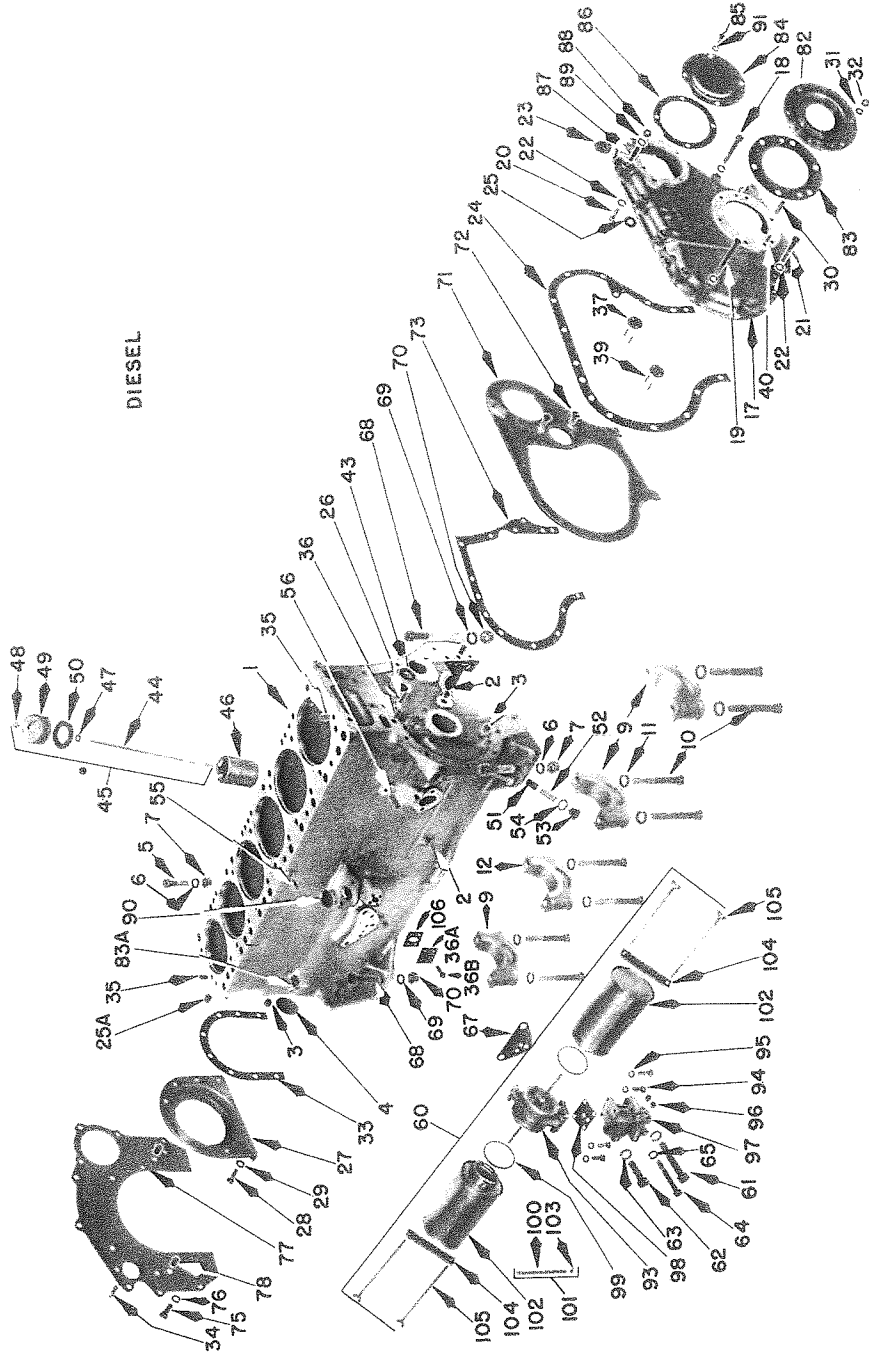
Ref. No.	Part Number	Description	No. Req.	Row Crop Serial Number	Standard Serial Number	Industrial Serial Number
37	1KS-206-A	ARM (1K-206-A) With Bushing (1H-214), Valve Rocker - RH (Up to Engine Serial Number 868205 Inclusive)	6			
35	1K-206-C	ARM, Valve Rocker - RH (Wickless) (Engine Serial Number 868206-921909)	6			
37	1KS-206-C	ARM Assembly, Valve Rocker - RH (Wickless) (Engine Serial Number 868206-921909)	6			
35	1K-206-E	ARM, Valve Rocker - RH (Wickless) (Engine Serial Number 921910-)	6			
37	1KS-206-E	ARM Assembly, Valve Rocker - RH (Wickless) (Engine Serial Number 921910-)	6			
38	1K-207	ROD, Push - HC and Diesel (Up to Engine Serial Number 964500 Inclusive)	12			
38	1K-207-A	ROD, Push - KD	12	32 0001-	269001-	
38	1M-207	ROD, Push - HC and Diesel (Engine Serial Number 964501-)	12			
39	1E-208-A	NUT, Rocker Arm Adjusting Screw (See 915085 With 1K-205) (Up to Engine Serial Number 868205 Inclusive)	12			
35	1K-209	TUBE, Rocker Arm Oil (Order 1KS-209) (Up to Engine Serial Number 868205 Inclusive) S-2679 Nut, 3/16 Tube Inverted	1			
40	1KS-209	TUBE (1K-209) With Nut (S-2679), Rocker Arm Oil (Up to Engine Serial Number 868205 Inclusive) S-2680 Elbow, 3/16 Tube x 1/8 P.T. Inverted Male	2			
41			1			
40	1K-209-A	TUBE, Rocker Arm Oil (Order 1KS-209-A) (Engine Serial Number 868206-) S-2679 Nut, 3/16 Tube Inverted	2			
40	1KS-209-A	TUBE (1K-209-A) With Nuts (S-2679), Rocker Arm Oil (Engine Serial Number 868206-) S-2680 Elbow, 3/16 Tube x 1/8 P.T. Inverted Male	1			
41			2			
42	1K-210	SPRING, Valve Rocker Arm Shaft	4	320001-	269001-	403001-
43	1H-211	WASHER, Valve Rocker Arm Shaft (12 used on Diesel)	4	320001-	269001-	403001-
44	1H-212	PLUG, Valve Rocker Arm Shaft	2	320001-	269001-	403001-
45	1H-213	COTTER PIN, Valve Rocker Arm Shaft	4	320001-	269001-	403001-
46	1H-213-A	WICK, Valve Rocker Arm Oil (Up to Engine Serial Number 868205 Inclusive)	12			
47	1H-214	BUSHING, Valve Rocker Arm (Up to Engine Serial Number 868205 Inclusive)	12			
48	1M-1731	SPACER, Cell Holder - Diesel	6	320001-	269001-	403001-
49	1MS-1732	BODY With Office Insert, Cell - Diesel	6	320001-	269001-	403001-
50	1M-1734	PLUG, Cell Holder - Diesel	6	320001-	269001-	403001-
51	1M-1735	CAP, Cell - Diesel	6	320001-	269001-	403001-

CRANKCASE



Ref. No.	Part Number	Description	No. Req.	Row Crop Serial Number	Standard Serial Number	Industrial Serial Number
1	1M-100-A	CRANKCASE (Order 1M-100-A)	1	320001-6502	269001-6502	403001-6502
2		S-1921 Plug, 1/8 Std Hdless Slotted Steel Pipe	Req.			
3		S-1922 Plug, 1/4 Std Hdless Slotted Steel Pipe	Req.			
4		S-2533 Plug, 2 Dia Welch Expansion	Req.			
		S-1900 Plug, 1/2 Std Pipe	Req.			
		S-1908 Plug, 1/8 Std Sq Hd Pipe	Req.			
		S-1918 Plug, 1/4 Ctsk Hdless Pipe	Req.			
1	IMS-100-A	CRANKCASE Assembly	1	320001-6502	269001-6502	403001-6502
5		908359 Cap Screw, 1/2 - 13 x 2 Hex Hd	2			
6		920085 Lock Washer, 1/2	2			
7		915115 Nut, 1/2 - 13 Hex	2			
1	1M-100-B	CRANKCASE (Order 1M-100-B)	1	6503-	6503-	6503-
2		S-1921 Plug, 1/8 Std Hdless Slotted Steel Pipe	Req.			
3		S-1922 Plug, 1/4 Std Hdless Slotted Steel Pipe	Req.			
4		S-2533 Plug, 2 Dia Welch Expansion	Req.			
		S-1900 Plug, 1/2 Std Pipe	Req.			
		S-1908 Plug, 1/8 Std Sq Hd Pipe	Req.			
		S-1918 Plug, 1/4 Ctsk Hdless Pipe	Req.			
1	1MAS-100-B	CRANKCASE Assembly	1	6503-	6503-	6503-
5		908359 Cap Screw, 1/2 - 13 x 2 Hex Hd	2			
6		920085 Lock Washer, 1/2	2			
7		915115 Nut, 1/2 - 13 Hex	2			

CRANKCASE



Ref. No.	Part Number	Description	No. Req.	Flow Cap Serial Number	Standqrd Serial Number	Industrial Serial Number
9	IM-102-A	CAP, Crankshaft Main Bearing	3	3 20001-6502	2 69001-650 2	4 03001-6502
9	IM-102-B	CAP, Crankshaft Main Bearing	3	6503-	6503-	6503-
10	1H-103-A	SHIM, Crankshaft Main Bearing Cap (Used in the engines of some of the first tractors)	Req.	32 0001-	2 69001-	4 03001-
10	1H-104	CAP SCREW, Main Bearing Cap 92 0085 Lock Washer, 1/2	8	32 0001-	2 69001-	4 03001-
11	1H-106-A	CAP, Crankshaft Main Bearing - Thrust	8	32 0001-6502	2 69001-6502	4 03001-6502
12	IM-106-B	CAP, Crankshaft Main Bearing - Thrust	1	6503-	6503-	6503-
13	1K-110	PLUG, Idler Hole - HC and KD	1	32 0001-	2 69001-	4 03001-
	1K-111	WASHER, Hole Plug Copper - Diesel 908328 Cap Screw, 3/8 - 16 x 1/2 Hex Hd	1			
14	1KAS-112	COVER, Timing Gear - HC and KD (Die Casting) 908315 Cap Screw, 5/16 - 18 x 3/4 Hex Hd 920082 Lock Washer, 5/16	1	32 0001-	2 69001-	4 03001-
15			12			
16			12			

CRANKCASE

Ref. No.	Part Number	Description	No. Req.	Row Crop Serial Number	Standard Serial Number	Industrial Serial Number
17	IKS-112-A	COVER (IK-112-A) With Washer, (IK-158), Timing gear - Diesel (Up to Engine Serial Number 924153 Inclusive)	1			
18		908321 Cap Screw, 5/16 - 18 x 2 Hex Hd	8			
19		908324 Cap Screw, 5/16 - 18 x 2-3/4 Hex Hd	1			
20		908315 Cap Screw, 5/16 - 18 x 3/4 Hex Hd	1			
21		908320 Cap Screw, 5/16 - 18 x 1-3/4 Hex Hd	1			
22		920082 Lock Washer, 5/16	11			
23		S-1900 Plug, 1/2 Std Sq Hd Pipe	1			
17	IKS-112-B	COVER, Timing Gear - Diesel (Engine Serial Number 924153-)	1			
18		908314 Cap Screw, 5/16 - 18 x 5/8 Hex Hd	1			
18		908317 Cap Screw, 5/16 - 18 x 7/8 Hex Hd	11			
22		920082 Lock Washer, 5/16	12			
23		S-1900 Plug, 1/2 Std Sq Hd Pipe	1			
24	IK-113	GASKET, Timing Gear - HC and KD	1	320001-	269001-	403001-
24	IK-113-A	GASKET, Timing Gear - Diesel	1	320001-	269001-	403001-
25	IK-114	GASKET, Gear Cover Post - Diesel	1	320001-	269001-	403001-
25A	IK-115-A	PLUG, Oil Galley Cup	1			
26	IH-117	TUBE, Timing Gear Oil	1	320001-	269001-	403001-
27	IK-127	RETAINER, Rear Oil	1	320001-	269001-	403001-
28		908313 Cap Screw, 5/16 - 18 x 1/2 Hex Hd	8			
29		920082 Lock Washer, 5/16	8			
30	IK-128	STUD, Front Oil Seal Thrust Plate - Diesel (5/16 x 31/32) (Up to Engine Serial Number 924153 Inclusive)	6			
31		920082 Lock Washer, 5/16	6			
32		915001 Nut, 5/16 - 24 Hex	6			
33	IK-130	GASKET, Rear Oil Retainer	1	320001-	269001-	403001-
34	IK-131	PIN, Flywheel Timing - Diesel	1	320001-	269001-	403001-
35	IH-133	DOWEL PIN, Timing Gear Cover - HC and KD (Cylinder Head to Crankcase on Diesel)	2	320001-	269001-	403001-
36	IK-133	DOWEL, Front Plate and Cover - Diesel	2	320001-	269001-	403001-
	IK-144	WASHER, Hour Meter Hole Cover	4			
36A		COVER, Hour Meter Hole	1			
36B		S-2560 Screw, No. 10 - 24 x 5/8 Mach	4			
37	IK-158	WASHER, Camshaft Thrust - HC and KD (2 used with Diesel up to Engine Serial Number 924153 Inclusive)	1	320001-	269001-	403001-
38		S-656 Rivet, 1/8 x 3/8 Ctsk Hd Copper - HC & KD	2			
39		S-675 Rivet, 1/8 x 1/2 Ctsk Hd Copper - Diesel	4			
40	IK-164	DOWEL, Front Oil Seal Thrust Plate - Diesel (Up to Engine Serial Number 924153 Inclusive)	2			
41	IM-212	PLUG, Water Hole - HC and KD	2	320001-	269001-	403001-
42	IK-235	WASHER, Fuel Pump Hole Cover Copper - HC & KD	2	320001-	269001-	403001-
43	IK-249	PLUG, Governor Hole - Diesel	1	320001-	269001-	403001-
44	IK-292	GAUGE, Oil (Order IKS-292)	1	320001-	269001-	403001-
45	IKS-292	ROD With Cap, Oil Gauge	1	320001-	269001-	403001-
46	IH-293	NECK, Oil Filler	1	320001-	269001-	403001-
47	IH-294	WASHER, Oil Filler Cap	1	320001-	269001-	403001-

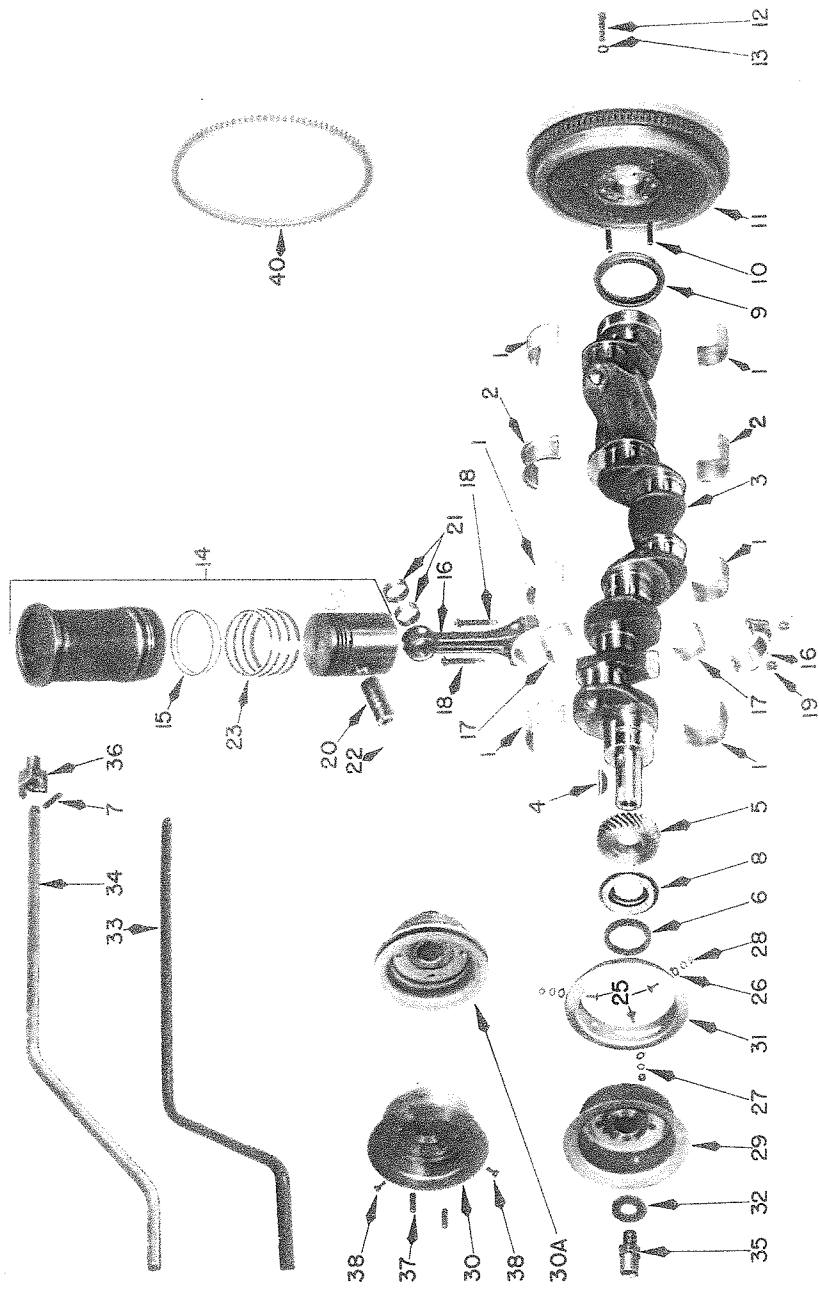
CRANKCASE

Ref. No.	Part Number	Description	No. Req.	How Crop Serial Number	Standard Serial Number	Industrial Serial Number
48	IH-295	NUT, Oil Filler Cap	1	320001-	269001-	403001-
49	IH-297	CAP, Oil Filler	1	320001-	269001-	403001-
50	IH-298	GASKET, Oil Filler Cap	1	320001-	269001-	403001-
51	IH-302-A	PLUNGER, Oil Relief Valve	1	320001-	269001-	403001-
52	IK-303	SPRING, Oil Relief Valve	1	320001-	269001-	403001-
53	IH-304-A	SCREW, Oil Relief Valve	1	320001-	269001-	403001-
54	IH-305-A	GASKET, Oil Relief Valve	1	320001-	269001-	403001-
55	IK-398-A	STUD - 1/4 x 13/16 (Cable Clip to Crankcase)	1	320001-	269001-	403001-
56	IL-398	STUD - 3/8 x 1 (Generator Support - Rear)	1	320001-	269001-	403001-
57	IMS-399-C	FILTER, Oil - HC and KD S-3071 Cap Screw, 3/8 - 16 x 1-1/8 Hex Hd	3	320001-	269001-	403001-
58		920009 Washer, 3/8 Plain	3			
59						
60	IMS-399-A	FILTER, Oil - Diesel	1	320001-	269001-	403001-
61		908362 Cap Screw, 1/2 - 13 x 2-3/4 Hex Hd	1			
62		908356 Cap Screw, 1/2 - 13 x 1-1/4 Hex Hd	1			
63		920085 Lock Washer, 1/2	2			
64		908339 Cap Screw, 3/8 - 16 x 2-3/4 Hex Hd	1			
65		920083 Lock Washer, 3/8	1			
66	IK-400	GASKET, Oil Filter - HC and KD	1	320001-	269001-	403001-
67	IK-400-A	GASKET, Oil Filter - Diesel	1	320001-	269001-	403001-
68	IH-443	BOLT, Engine Anchor	2	320001-	2690001-	403001-
69		920086 Lock Washer, 9/16	2			
70		915116 Nut, 9/16 - 12 Hex	2			
71	IK-470	PLATE, Front - Diesel	1	320001-	2690001-	403001-
72		908835 Screw, 5/16 - 18 x 3/4 Mach	2			
73	IK-471	GASKET, Front Plate - Diesel	1	320001-	269001-	403001-
74	IK-472	PLATE, Rear Crankcase - HC and KD	1	320001-	2690001-	403001-
75		908332 Cap Screw, 3/8 - 16 x 1 Hex Hd	8			
76		920083 Lock Washer, 3/8	8			
77	IK-472-A	PLATE, Rear Crankcase - Diesel	1	320001-	269001-	403001-
75		908330 Cap Screw, 3/8 - 16 x 3/4 Hex Hd	8			
76		920083 Lock Washer, 3/8	8			
78	IK-475	DOWEL PIN, Rear Crankcase Plate	2	320001-	269001-	403001-
79	IK-476	COVER, Fuel Pump Hole - HC and KD	1	320001-	269001-	403001-
80		908314 Cap Screw, 5/16 - 18 x 5/8 Hex Hd	2			
81	IK-477	GASKET, Fuel Pump Hole Cover - HC and KD	1	320001-	269001-	403001-
82	IK-478	PLATE, Front Oil Seal Thrust - Diesel (Up to Engine Serial Number 924153 Inclusive)	1			
83	IK-479	GASKET, Seal Thrust Plate - Diesel (Up to Engine Serial Number 924153 Inclusive)	1			
	IMS-499	GASKET And Oil Seal Package, Engine - HC	1	320001-6502	269001-6502	403001-6502
	IMS-499-A	GASKET And Oil Seal Package, Engine - KD	1	320001-	269001-	403001-
	IMS-499-B	GASKET And Oil Seal Package, Engine - Diesel	1	320001-6502	269001-6502	403001-6502
	IMS-499-C	GASKET And Oil Seal Package, Engine - HC	1	6503-	6503-	6503-
	IMS-499-D	GASKET And Oil Seal Package, Engine - Diesel	1	6503-	6503-	6503-
83A	IKS-517	DRAIN COCK With Extension	1	320001-	269001-	403001-

CRANKCASE

Ref. No.	Part Number	Description	No. Req.	Row Crop Serial Number	Standard Serial Number	Industrial Serial Number
84	1K-1741	COVER, Fuel Pump Gear - Diesel	1	320001-	269001-	403001-
85		S-1059 Cap Screw, 1/4 - 20 x 1/2 Fill Hd	4			
86	1K-1742	GASKET, Fuel Pump Gear Cover - Diesel	1	320001-	269001-	403001-
87	1K-1743	STUD, Timing Gear Cover - Diesel	1	320001-6502	269001-6502	403001-6502
88		915001 Nut, 5/16 Hex	1			
89		920082 Lock Washer, 5/16	1			
90	1K-1744	PLUG, Distributor Hole - Diesel	1	320001-	269001-	403001-
91	1K-1746	WASHER, Fuel Pump Gear Cover Copper - Diesel	4	320001-	269001-	403001-
92	1KS-5500-C	BASE CASTING, Tube and Restriction Disc, Oil Filter - HC and KD (Order IMS-399-C)	1	320001-	269001-	403001-
93	1K-5500-A	BASE, Oil Filter Upper - Diesel (Order IMS-399-A)	1	320001-	269001-	403001-
94		908317 Cap Screw, 5/16 - 18 x 1 Hex Hd	4			
95		920082 Lock Washer, 5/16	4			
96		S-1921 Plug, 1/8 Std Holes Slotted Steel Pipe	2			
97	1K-5500-B	CASTING, Oil Filter Lower - Diesel (Order IMS-399-A)	1	320001-	269001-	403001-
98	1K-5502	GASKET, Oil Filter Base Casting - Diesel	1	320001-	269001-	403001-
99	1B-5505-B	GASKET, Oil Filter - HC and KD (2 used on Diesel)	1	320001-	269001-	403001-
100	1K-5506	TUBE, Oil Filter Inlet - HC and KD (Order IKS-5506) (2 used on Diesel)	1	320001-	269001-	403001-
101	1KS-5506	TUBE (1K-5506) With Restriction Disc (1B-5508-C), Oil Filter Inlet - HC and KD (2 used on Diesel)	1	320001-	269001-	403001-
102	1M-5507	ELEMENT, Oil Filter Filtering - HC and KD (2 used on Diesel)	1	320001-	269001-	403001-
103	1B-5508-C	DISC, Oil Filter Restriction - HC and KD (Order IKS-5506) (2 used on Diesel)	1	320001-	269001-	403001-
104	1K-5520	BAR, Oil Filter Support - Diesel	2	320001-	269001-	403001-
105	1KS-5521	ROD And Nut, Oil Filter Support - Diesel	4	320001-	269001-	403001-
106	1K-7332	GASKET, Hour Meter Hole Cover	1			

CRANKSHAFT AND RELATED PARTS



Ref. No.	Part Number	Description	No. Req.	Row Crop Serial Number	Standard Set of Number	Industrial Set of Number
1	1MAS-101	BEARING Package, Crankshaft Main - HC & KD (Standard)	3	32 0001-	269001-	403001-
1	1MARS-101	BEARING Package, Crankshaft Main - HC & KD (.003" Undersize)	3	32 0001-	269001-	403001-
1	1MAUS-101	BEARING Package, Crankshaft Main - HC & KD (.03 0" Undersize)	3	32 0001-	269001-	403001-
1	1MAURS-101	BEARING Package, Crankshaft Main - HC & KD (.033" Undersize)	3	32 0001-	269001-	403001-
1	1MS-101-A	BEARING Package, Crankshaft Main - Diesel (Standard)	3	32 0001-	269001-	403001-
1	1MRS-101-A	BEARING Package, Crankshaft Main - Diesel (.003" Undersize)	3	32 0001-	269001-	403001-
1	1MXS-101-A	BEARING Package, Crankshaft Main - Diesel (.02 0" Undersize)	3	6503-	6503-	6503-
2	1MBSA-105	BEARING Package, Crankshaft Main Thrust - HC & KD (Standard)	1	32 0001-	269001-	403001-
2	1MBRSA-105	BEARING Package, Crankshaft Main Thrust - HC & KD (.003" Undersize)	1	32 0001-	269001-	403001-
2	1MBUSA-105	BEARING Package, Crankshaft Main Thrust - HC & KD (.03 0" Undersize)	1	32 0001-	269001-	403001-
2	1MBURSA-105	BEARING Package, Crankshaft Main Thrust - HC & KD (.033" Undersize)	1	32 0001-	269001-	403001-

CRANKSHAFT AND RELATED PARTS

Ref. No.	Part Number	Description	No. Req.	Row Crop Serial Number	Standard Serial Number	Industrial Serial Number
2	1MASA-105-A	BEARING Package, Crankshaft Main Thrust - Diesel (Standard)	1	320001-	269001-	403001-
2	1MARS-105-A	BEARING Package, Crankshaft Main Thrust - Diesel (.003" Undersize)	1	320001-	269001-	403001-
2	1MAXS-105-A	BEARING Package, Crankshaft Main Thrust - Diesel (.020" Undersize)	1	6503-	6503-	6503-
3	1M-119-B	CRANKSHAFT 937041 Key, 1/4 x 1-23/32 Woodruff	1	320001-6502	269001-6502	403001-6502
4	1M-119-D	CRANKSHAFT 937041 Key, 1/4 x 1-23/32 Woodruff	1	6503-	6503-	6503-
5	1K-120	GEAR, Crankshaft (30 Teeth)	1	320001-	269001-	403001-
5	1KO-120	GEAR, Crankshaft (.004" Oversize) (30 Teeth)	1	320001-	269001-	403001-
5	1KU-120	GEAR, Crankshaft (.004" Undersize) (30 Teeth)	1	320001-	269001-	403001-
6	7K-123	FELT, Fan Pulley	1	320001-	269001-	403001-
8	1K-126	OIL SEAL, Crankshaft - Front	1	320001-	269001-	403001-
9	1KS-129	OIL SEAL, Crankshaft - Rear	1	320001-	269001-	403001-
10	1K-134	DOWEL PIN, Flywheel Crankshaft	2	320001-	269001-	403001-
	1M-135	FLYWHEEL (Order 1MS-135 HC & KD or 1MS-135-A Diesel)	1	320001-6502	269001-6502	403001-6502
	1K-135	FLYWHEEL (Order 1KS-135 HC or 1KS-135-A Diesel)	1	6503-	6503-	6503-
11	1MS-135	FLYWHEEL (1M-135) With Ring Gear (1K-1005) - HC & KD	1	320001-6502	269001-6502	403001-6502
11	1KS-135	FLYWHEEL (1K-135) With Ring Gear (1K-1005) - HC	1	6503-	6503-	6503-
11	1MS-135-A	FLYWHEEL (1M-135) With Ring Gear (1K-1005-A) - Diesel	1	320001-6502	269001-6502	403001-6502
11	1KS-135-A	FLYWHEEL (1K-135) With Ring Gear (1K-1005-A) - Diesel	1	6503-	6503-	6503-
12	1K-136	CAP SCREW, Flywheel 920084 Lock Washer, 7/16	6	320001-3507469	269001-3507469	403001-3507469
13	1K-136-A	CAP SCREW, Flywheel 920084 Lock Washer, 7/16	6	3507470-	3507470-	3507470-
14	1MSA-178	SLEEVE And Piston Replacement Package - HC (For one cylinder) (3-3/16" Bore)	6	320001-320145	269001-269110	403001-403010
	1MSB-178	SLEEVE And Piston Replacement Package - HC (Order 1MSB-178-B) (For six cylinders) (3-3/16" Bore)	1	320001-320145	269001-269110	403001-403010
14	1MSA-178-B	SLEEVE And Piston Replacement Package - HC (For one cylinder) (3-5/16" Bore)	6	320146-6502	269111-6502	403011-6502
	1MSB-178-B	SLEEVE And Piston Replacement Package - HC (For six cylinders) (3-5/16" Bore)	1	320146-6502	269111-6502	403011-6502
14	1MSA-178-D	SLEEVE And Piston Replacement Package - HC (For one cylinder) (3-1/2" Bore)	6	6503-	6503-	6503-
	1MSB-178-D	SLEEVE And Piston Replacement Package - KD (For one cylinder)	6	320001-	269001-	269001-
14	1MSA-178-A	SLEEVE And Piston Replacement Package - KD (For six cylinders)	1	320001-	269001-	269001-

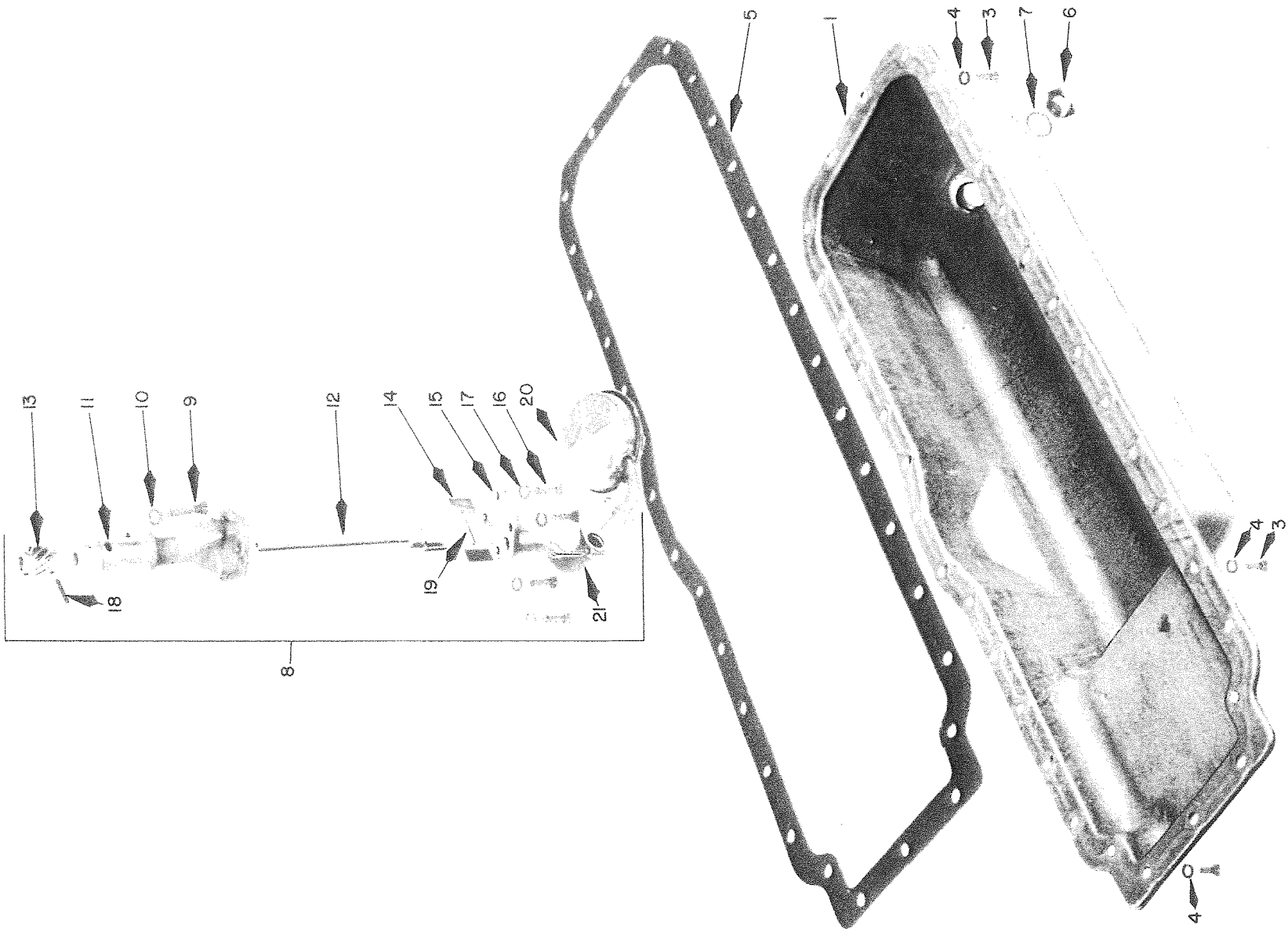
CRANKSHAFT AND RELATED PARTS

Ref. No.	Part Number	Description	No. Req.	Row Crop Serial Number	Standard Serial Number	Industrial Serial Number
14	1MSA-178-C	SLEEVE And Piston Replacement Package - Diesel (For one cylinder) (3-5/16" Bore)	6	320001-6502	269001-6502	403001-6502
	1MSB-178-C	SLEEVE And Piston Replacement Package - Diesel (For six cylinders) (3-5/16" Bore)	1	320001-6502	269001-6502	403001-6502
14	1MSA-178-E	SLEEVE And Piston Replacement Package - Diesel (For one cylinder) (3-1/2" Bore)	6	6503-	6503-	6503-
15	1KA-179	RING, Cylinder Sleeve Packing	12	320001-	269001-	403001-
	1MSB-181	GASKET SET For Sleeve and Piston Replacement - HC	1	320001-	269001-	403001-
	1MSA-181-A	GASKET SET For Sleeve and Piston Replacement - Diesel	1	320001-6502	269001-6502	403001-6502
	1MSA-181-B	GASKET SET For Sleeve and Piston Replacement - KD	1	320001-	269001-	403001-
	1MSA-181-C	GASKET SET For Sleeve and Piston Replacement - Diesel	1	6503-	6503-	6503-
16	1MS-216	ROD With Bushing, Connecting (Order 1MSA-216) (Used with Shim in some of the first engines)	6	320001-6502	269001-6502	403001-6502
16	1MSA-216	ROD With Bushing, Connecting (Used without Shims)	6	6503-	6503-	6503-
16	1MS-216-A	ROD With Bushing, Connecting	6	6503-	6503-	6503-
17	1HAS-217	BEARING Package, Connecting Rod - HC & KD (Standard)	6	320001-6502	269001-6502	403001-6502
17	1HARS-217	BEARING Package, Connecting Rod - HC & KD (.003" Undersize)	6	320001-6502	269001-6502	403001-6502
17	1HAUS-217	BEARING Package, Connecting Rod - HC & KD (.030" Undersize)	6	320001-6502	269001-6502	403001-6502
17	1HAURS-217	BEARING Package, Connecting Rod - HC & KD (.033" Undersize)	6	320001-6502	269001-6502	403001-6502
17	1KAS-217	BEARING Package, Connecting Rod - HC (Standard)	6	6503-	6503-	6503-
17	1KARS-217	BEARING Package, Connecting Rod - HC (.003" Undersize)	6	6503-	6503-	6503-
17	1MS-217	BEARING Package, Connecting Rod - Diesel (Standard)	6	320001-6502	269001-6502	403001-6502
17	1MRS-217	BEARING Package, Connecting Rod - Diesel (.003" Undersize)	6	320001-6502	269001-6502	403001-6502
17	1KS-217-A	BEARING Package, Connecting Rod - Diesel (Standard)	6	6503-	6503-	6503-
17	1KRS-217-A	BEARING Package, Connecting Rod - Diesel (.003" Undersize)	6	6503-	6503-	6503-
17	1KXS-217-A	BEARING Package, Connecting Rod - Diesel (.020" Undersize)	6	6503-	6503-	6503-
18	1K-219	BOLT, Connecting Rod	12	6503-	6503-	6503-
18	1H-219-A	BOLT, Connecting Rod	12	320001-6502	269001-6502	403001-6502
19	1H-220	NUT, Connecting Rod Bolt	12	320001-	269001-	403001-
	1H-221	SHIM, Connecting Rod (Used with 1MS-216)	12	320001-	269001-	403001-
20	1K-229	PIN, Piston (Standard)	6	320146-	269111-	403011-
20	1KRA-229	PIN, Piston (.005" Oversize)	6	320146-	269111-	403011-

CRANKSHAFT AND RELATED PARTS

Ref. No.	Part Number	Description	No. Req.	Row Crop Serial Number	Standard Serial Number	Industrial Serial Number
20	IKRB-229	PIN, Piston (.010" Oversize)	6	320146-	269111-	403001-
20	1M-229	PIN, Piston (For 3-3/16" Bore) (Standard)	6	320001-320145	269001-269110	403001-403010
21	1K-230	BUSHING, Piston Pin	12	320001-	269001-	403001-
22	1K-231	RING, Piston Pin Retaining	12	320001-	269001-	403001-
23	1KS-233	RING Package, Piston - KD	6	320001-6502	269001-6502	403001-403010
23	1MS-233	RING Package, Piston - HC (For 3-3/16" Bore)	6	320001-320145	269001-269110	403001-403010
23	1MS-233-A	RING Package, Piston - HC	6	320146-6502	269111-6502	403011-6502
23	1MS-233-B	RING Package, Piston - Diesel	6	320146-6502	269111-6502	403011-6502
23	IKRS-233-C	RING Package, Piston - HC & Diesel	6	6503-	6503-	6503-
25	1C-347	LOCK SCREW, Fan Pulley (Used on Orchard only after Serial Number 6502)	3	320001-6502	269001-6502	403001-6502
26	1C-348	WASHER, Fan Pulley Lock Screw (Used on Orchard only after Serial Number 6502)	3	320001-6502	269001-6502	403001-6502
27		920081 Lock Washer, 1/4"	3			
28		915265 Nut, 1/4 - 20 Hex Arm Remove 915265 and 1C-347 and install 908299 Cap Screw on Industrial	3			
		908299 Cap Screw, 1/4 - 20 x 1/2 Hex Hd	3			
29	1K-370	PULLEY, Fan Drive (Stationary Half) (Used on Orchard only after Serial Number 6502)	1	320001-6502	269001-6502	403001-6502
	1KS-370	PULLEY, Fan Drive (1K-370 and 1K-371) (Used on Orchard only after Serial Number 6502)	1	320001-6502	269001-6502	403001-6502
	IK-370-A	PULLEY, Fan Drive (Stationary Half)	1			
	IKS-370-A	PULLEY, Fan Drive (1K-370-A and 1B-597)	1			
	IKSA-370-A	PULLEY Assembly, Fan Drive	1			
30A	IK-370-B	PULLEY, Fan Drive	1	6503-	6503-	6503-
31	1K-371	PULLEY, Fan Drive (Adjustable Half) (Used on Orchard only after Serial Number 6502)	1	320001-6502	269001-6502	403001-6502
32	1H-375	WASHER, Starting Jaw	1	320001-	269001-	403001-
33	1J-536	CRANK, Starting	1	320001-320160	269001-269180	403001-403010
33	1M-536	CRANK, Starting	1	320161-	269181-	403011-
35	1HS-537	JAW, Starting Crank	1	320001-	269001-	403001-
37	1B-597	PIN, Dowel (With 1K-370-A) 908299 Cap Screw, 1/4 - 20 x 1/2 Hex Hd	2			
38			3			
40	1K-1005	GEAR, Flywheel Ring - HC & KD	1	320001-	269001-	403001-
40	1K-1005-A	GEAR, Flywheel Ring - Diesel	1	320001-	269001-	403001-

OIL PAN AND OIL PUMP



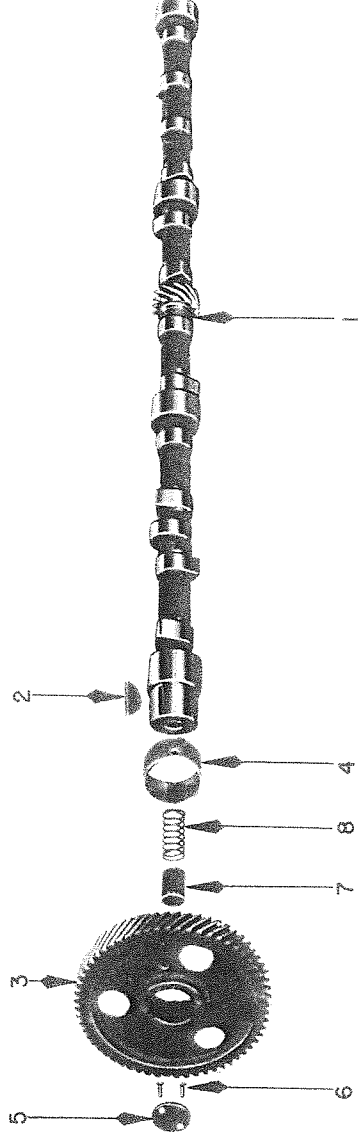
77 PARTS BOOK

SECTION II
ENGINE

OIL PAN AND OIL PUMP

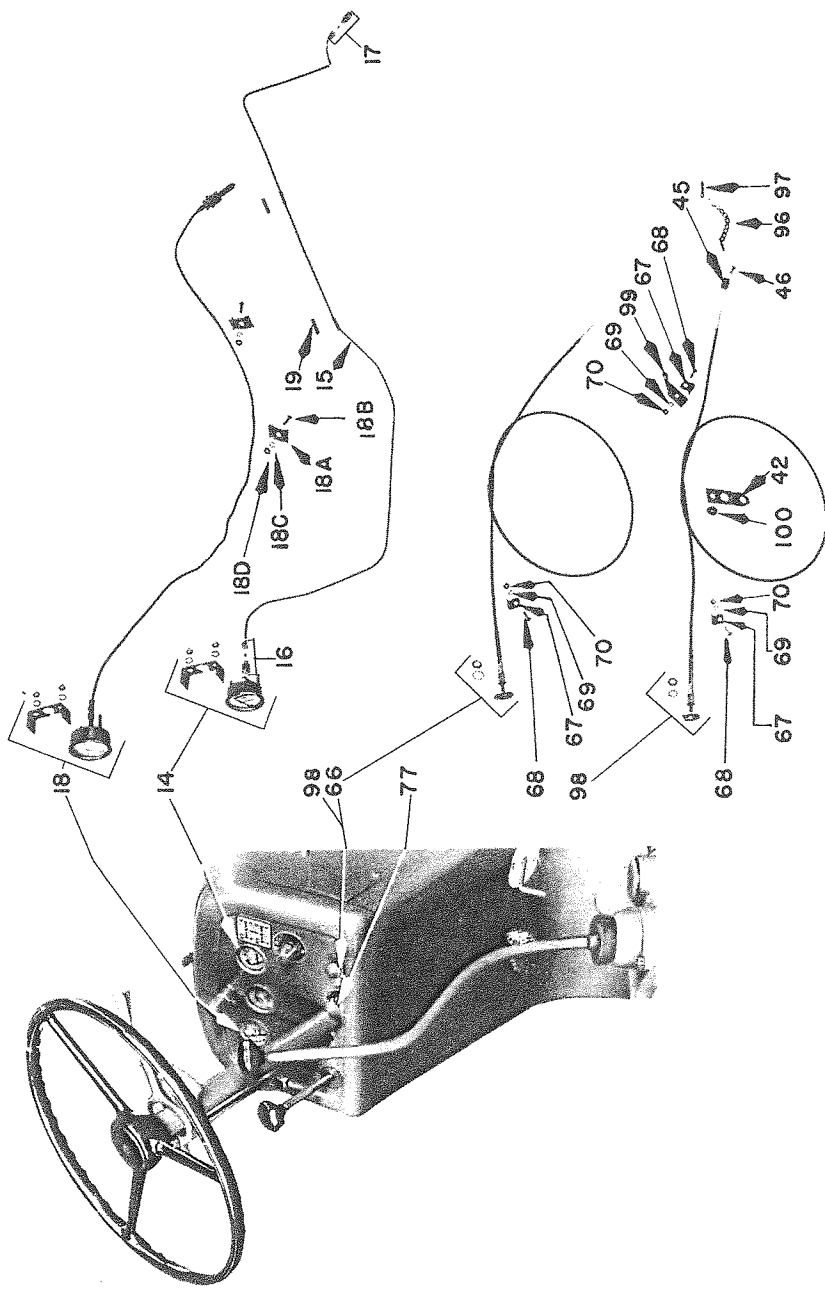
Ref. No.	Part Number	Description	No. Req.	Row Crop Serial Number	Standard Serial Number	Industrial Serial Number
1	1M-165	PAN, Oil	1	320001-	269001-	403001-
3		908314 Cap Screw, 5/16 - 18 x 5/8 Hex Hd	33			
4		920082 Lock Washer, 5/16	33			
5	1M-166	GASKET, Oil Pan	1	320001-	269001-	403001-
6	1B-167	PLUG, Oil Pan Drain	1	320001-	269001-	403001-
7	1B-168	GASKET, Oil Pan Drain Plug	1	320001-	269001-	403001-
	1MS-327	PUMP Assembly, Oil (Less Screen)	1	320001-	269001-	403001-
8	1MSA-327	PUMP (1MS-327) and Screen (1KS-338), Oil	1	320001-	269001-	403001-
9		908333 Cap Screw, 3/8 - 16 x 1-1/4 Hex Hd	1			
10		920083 Lock Washer, 3/8	1			
11	1K-328	BODY, Oil Pump	1	320001-	269001-	403001-
12	1K-330	SHAFT, Oil Pump Drive	1	320001-	269001-	403001-
13	1K-331	GEAR, Oil Pump Drive - 11 Teeth	1	320001-	269001-	403001-
14	1K-332	VANE, Oil Pump	2	320001-	269001-	403001-
15	1M-333	COVER, Oil Pump	1	320001-	269001-	403001-
16		908315 Cap Screw, 5/16 - 18 x 3/4 Hex Hd	4			
17		920082 Lock Washer, 5/16	4			
18	1H-335	PIN, Oil Pump Gear	1	320001-	269001-	403001-
19	1H-336	SPRING, Oil Pump Vane	1	320001-	269001-	403001-
20	1KS-338	SCREEN, Oil	1	320001-	269001-	403001-
21		932017 Cotter Pin, 1/8 x 1	1			

CAMSHAFT



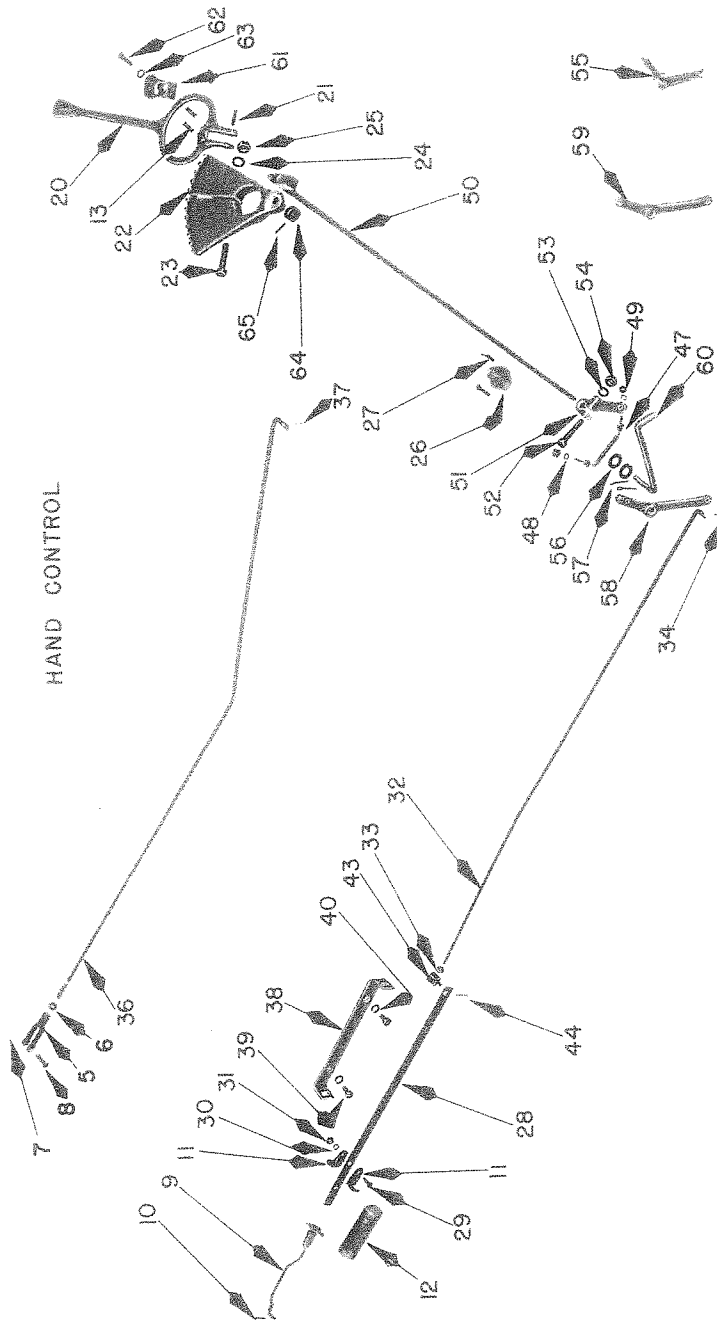
Ref. No.	Part Number	Description	No. Req.	Row Crop Serial Number	Standard Serial Number	Industrial Serial Number
1	1M-152	CAMSHAFT 937020 Key, 3/16 x 1 Woodruff	1	320001-	269001-	403001-
2			1			
3	1K-153	GEAR, Camshaft (60 Teeth)	1	320001-	269001-	403001-
3	1KO-153	GEAR, Camshaft - .004" Oversize (60 Teeth)	1	320001-	269001-	403001-
3	1KU-153	GEAR, Camshaft - .004" Undersize (60 Teeth)	1	320001-	269001-	403001-
4	1HR-155	BUSHING, Camshaft - Front	1	320001-	269001-	403001-
5	1K-158	WASHER, Thrust Button - HC & KD (2 used on Diesel)	1	320001-	269001-	403001-
6		S-656 Rivet, 1/8 x 3/8 Ctsk Hd Copper - HC & KD	2			
6		S-675 Rivet, 1/8 x 1/2 Ctsk Hd Copper - Diesel	4			
7	1H-159	BUTTON, Camshaft Thrust	1	320001-	269001-	403001-
8	1H-160	SPRING, Camshaft Thrust Button	1	320001-	269001-	403001-

ENGINE CONTROLS AND INSTRUMENTS



Ref. No.	Part Number	Description	No. Req.	Row Crop Serial Number	Standard Serial Number	Industrial Serial Number
1	1B-273	END, Accelerator Pedal Rod 915667 Nut, No. 10 - 32 Hex 932119 Pin, 3/16 Rod End 932000 Cotter Pin, 1/16 x 1/2	1 1 1 1		269001-	403001-
5	1C-273	END, Governor Rod - Diesel 915000 Nut, 1/4 - 20 Hex 932000 Cotter Pin, 1/16 x 1/2 932120 Pin, 1/4 Rod End	1 1 1 1	320001-	269001-	403001-
9	1KS-277	END, Governor Spring - Front 932000 Cotter Pin, 1/16 x 1/2	1 1	320001-	269001-	403001-
11	1H-278	END, Governor Spring - Rear	2	320001-	269001-	403001-
12	1H-282	SPRING, Governor	1	320001-	269001-	403001-
13	1C-291	SPRING, Governor Control Shaft Cap	2	320001-	269001-	403001-
14	1HA-344-A	GAUGE, Oil Pressure	1	320001-	269001-	403001-
15	1K-345	PIPE, Oil Pressure Gauge - HC, KD and Diesel (Order 1KS-345) (Used on HC up to Tractor Serial Number 3507871 Inclusive)	1	320001-	269001-	403001-
15	1KS-345	PIPE (1K-345) with Bushing (1BA-532), Oil Pressure Gauge - HC, KD and Diesel (Used on HC up to Tractor Serial Number 3507871 Inclusive)	1	320001-	269001-	403001-
16		SS-1989 Fitting, 1/8 Tube x 1/8 PT Female Conn	1			
17		SS-1987 Fitting, 1/8 Tube x 1/8 PT Male Conn	1			
15	1K-345-A	PIPE, Oil Pressure Gauge - HC (Order 1KS-345-A)	1	3507872-	3507872-	3507872-

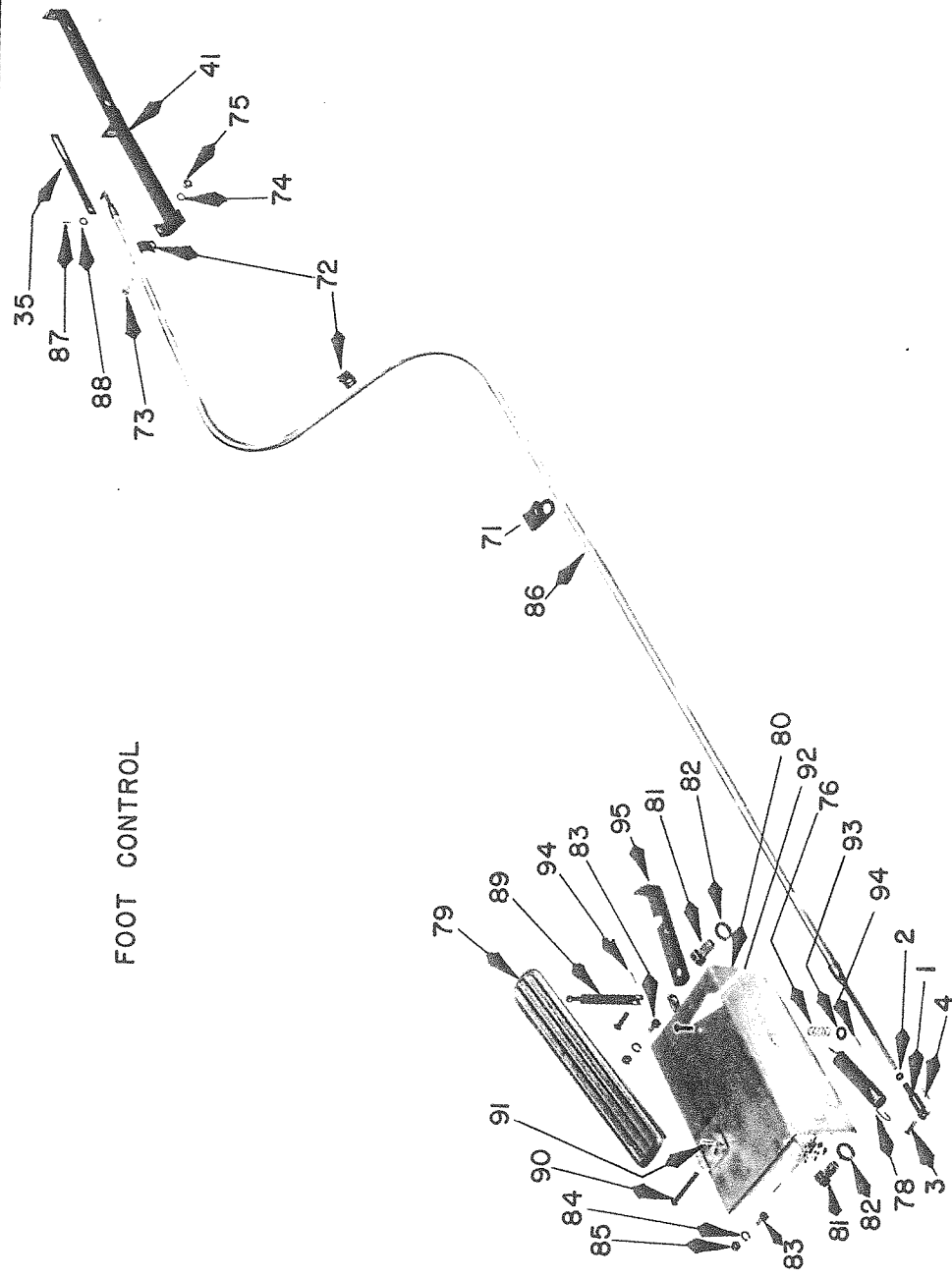
ENGINE CONTROLS AND INSTRUMENTS



Ref. No.	Part Number	Description	No. Req.	Row Crop Serial Number	Standard Serial Number	Industrial Serial Number
15	1K-345-A	PIPE (1K-345-A) with Bushings (1BA-532), Oil Pressure Gauge - HC	1	350787-2-	350787-2-	350787-2-
16		SS-1989 Fitting, 1/8 Tube x 1/8 PT Female Conn	1			
17		SS-1987 Fitting, 1/8 Tube x 1/8 PT Male Conn	1			
18	1K-528-A	GAUGE, Water Temperature - HC and Diesel (Used on Diesel up to Tractor Serial Number 6502 Inclusive)	1	320001-	269001-	403001-
18	1K-528-B	GAUGE, Water Temperature - KD	1	320001-	269001-	269001-
18	1K-528-E	GAUGE, Water Temperature - Diesel	1	6503-	6503-	6503-
18A	1H-530	CLIP, Temperature Gauge and Choke Wire - HC and KD	2	341034-	272881-	
18B		909019 Screw, No. 10 - 24 x 1/2 Mach	2			
18C		920079 Lock Washer, No. 10	2			
18D		915538 Nut, No. 10 - 24 Hex	2			
18A	1H-530	CLIP, Temperature Gauge and Fuel Stop Wire - Diesel	1	341034-	272881-	
18B		909019 Screw, No. 10 - 24 x 1/2 Mach	1			
18C		920079 Lock Washer, No. 10	1			
18D		915538 Nut, No. 10 - 24 Hex	1			
19	1BA-532	BUSHING, Oil Gauge Pipe	2	320001-	269001-	403001-
20	1H-879	LEVER, Governor Control Hand	1	320001-	269001-	403001-
21		932834 Groove-Plin, 3/16 x 7/8	1			
22	1H-881	BRACKET, Governor Control Shaft - Upper	1	320001-	269001-	403001-
23		908334 Cap Screw, 3/8 - 16 x 1-1/2 Hex Hd	1			
24		920083 Lock Washer, 3/8	1			
25		915113 Nut, 3/8 - 16 Hex	1			
26	1K-881	BEARING, Governor Control Shaft	1	320001-	269001-	403001-
27		923085 Rivet, 3/16 x 3/4 Button Hd	2			

ENGINE CONTROLS AND INSTRUMENTS

FOOT CONTROL



Ref. No.	Part Number	Description	No. Req.	Row Crop Serial Number	Standard Serial Number	Industrial Serial Number
28	1K-883	ROD, Governor Control - Front	1	320001-	269001-	403001-
29		909136 Screw, No. 10 - 32 x 1/2 Mach	1			
30		920079 Lock Washer, No. 10	1			
31		915667 Nut, No. 10 - 32 Hex	1			
32	1M-883-A	ROD, Governor Control - Rear	1	320001-	269001-	403001-
33		915667 Nut, No. 10 - 32 Hex	1			
34		932000 Cotter Pin, 1/16 x 1/2	1			
32	1M-883-D	ROD, Governor Control - Rear - HC & KD - Orchard	1			
33		915667 Nut, No. 10 - 32 Hex	1			
34		932000 Cotter Pin, 1/16 x 1/2	1			
35	1K-883-G	BAR, Carburetor Control - Front	1		269001-	403001-
36	1M-883-G	ROD, Governor Control - Diesel	1		269001-	403001-
37		932000 Cotter Pin, 1/16 x 1/2	1	329001-	269001-	
36	1M-883-F	ROD, Governor Control - Rear - Diesel - Orchard	1			
37		932000 Cotter Pin, 1/16 x 1/2	1			
38	1K-885	GUIDE, Governor Control Rod	1	320001-	269001-	403001-
39		908299 Ccp Screw, 1/4 - 20 x 1/2 Hex Hd	2			
40		920081 Lock Washer, 1/4	2			
41	1KS-885	GUIDE Assembly, Governor Control Rod	1		269001-	403001-

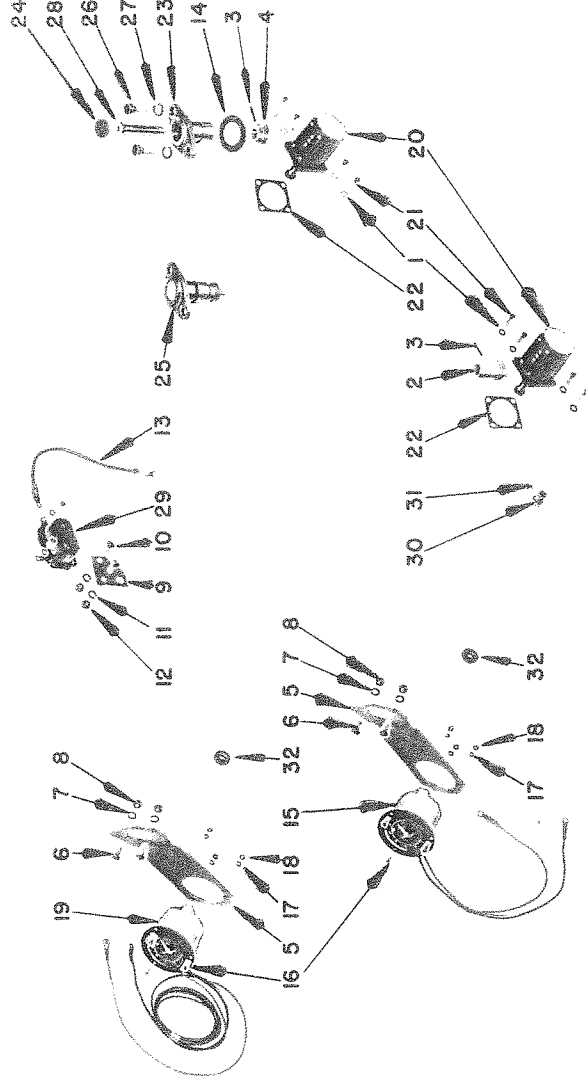
ENGINE CONTROLS AND INSTRUMENTS

Ref. No.	Part Number	Description	No. Req.	Row Crop Setal Number	Standard Setal Number	Industrial Setal Number
42	1K-885-C	GUIDE, Governor Control and Fuel Stop - Diesel (Order 1L-1271-A and 1CD-7364)	1	320001-3507421	269001-3507421	403001-3507421
43	1K-886	NUT, Governor Control Rod Adjusting	1	320001*	269001*	403001*
44		932000 Cotter Pin, 1/16 x 1/2	1			
45	1K-886-D	COLLAR, Fuel Stop Wire - Diesel (On Tractors where the chain is not used two Collars are required.)	1	320001*	269001*	403001*
46		S-2542 Screw, No. 8 - 32 x 3/8 Mach	1			
47	1H-888	JOINT, Governor Control Ball	1	320001-	269001-	403001-
48		920079 Lock Washer, No. 10	2			
49		915687 Nut, No. 10 - 32 Hex	2			
50	1K-S-889	SHAFT Assembly, Governor Control	1	320001*	269001*	403001*
50	1MS-889	SHAFT Assembly, Governor Control - Orchard	1			
51	1H-890-A	LEVER, Governor Control Shaft - Lower	1	320001-	269001-	403001-
52		908320 Cap Screw, 5/16 - 18 x 1-3/4 Hex Hd	1			
53		920082 Lock Washer, 5/16	1			
54		915112 Nut, 5/16 - 18 Hex	1			
55	1B-892	CRANK, Governor Control Bell - Orchard	1			
56		920009 Washer, 3/8 Plain	2			
57		932008 Cotter Pin, 3/32 x 3/4	2			
58	1HA-892-A	CRANK, Governor Control Bell	1	320001-	269001-	403001-
56		920009 Washer, 3/8 Plain	2			
57		932008 Cotter Pin, 3/32 x 3/4	2			
59	1MA-892	CRANK, Governor Control Bell - Diesel	1	320001-	269001-	403001-
56		920009 Washer, 3/8 Plain	2			
57		932008 Cotter Pin, 3/32 x 3/4	2			
59	1M-892-A	CRANK, Governor Control Bell - Diesel - Orchard	1			
56		920009 Washer, 3/8 Plain	2			
57		932008 Cotter Pin, 3/32 x 3/4	2			
60	1K-893	SUPPORT, Governor Control Bell Crank	1	320001-	269001-	403001-
61	1H-895	CAP, Governor Control Shaft	1	320001-	269001-	403001-
62		S-3073 Cap Screw, 1/4 - 28 x 3/4 Full Hd	1			
63		920081 Lock Washer, 1/4	1			
64	1H-895-A	COLLAR, Governor Control Shaft	1	320001-	269001-	403001-
65		932497 Groov-Pin, 1/8 x 3/4	1			
66	1K-935	WIRE, Choke	1	320001-	269001-	403001-
67	1E-1014	CLAMP, Fuel Stop Wire - Diesel	1	320001-	269001-	403001-
68		909019 Screw, No. 10 - 24 x 1/2 Mach	1			
69		920079 Lock Washer, No. 10	1			
70		915538 Nut, No. 10 - 24 Hex	1			
71	1K-1014-G	CLAMP, Accelerator Conduit - Rear	1			
72	1K-1014-H	CLAMP, Accelerator Conduit	2			
73		909039 Screw, No. 12 - 24 x 5/8 Mach	1			
74		920080 Lock Washer, No. 12	1			
75		915539 Nut, No. 12 - 24 Hex	1			
42	1L-1271-A	SUPPORT, Starter Cable - Diesel (1-1/2" wide, 4-1/4" long)	1	3507422-	3507422-	3507422-
76	1E-1381-A	SPRING (With 1K-1569-A)	1		269001-	403001-
77	1K-1482	ESCUTCHEON, Air Heat Control - KD	1	320001-	269001-	403001-
78	1E-1507	SPRING, Rear Carburetor Control Rod	1		269001*	403001*
79	1K-1552	PEDAL, Accelerator	1		269001-	403001-

ENGINE CONTROLS AND INSTRUMENTS

Ref. No.	Part Number	Description	No. Req.	Row Crop Ser'd. Number	Standard Serial Number	Industrial Ser'd. Number
80	IKS-1553-A	REST Assembly, Accelerator Foot	1		269001-	403001-
81		908354 Cap Screw, 1/2 - 13 x 3/4 Hex Hd	2			
82		920085 Lock Washer, 1/2	2			
83		908299 Cap Screw, 1/4 - 20 x 1/2 Hex Hd	2			
84		920081 Lock Washer, 1/4	2			
85	915111 Nut, 1/4 - 20 Hex	2				
86	1MS-1556	CONTROL Assembly, Foot Accelerator	1		269001-	403001-
87		932000 Cotter Pin, 1/16 x 1/2	1			
88		920005 Washer, No. 10 Plain	1			
89	1MSA-1556	FOOT Accelerator Package	1		269001-	403001-
90	IK-1559	CONNECTOR, Ball (With IK-1552)	1		269001-	403001-
91		PIN, Accelerator Pedal Hinge	1		269001-	403001-
92	IK-1561	932000 Cotter Pin, 1/16 x 1/2	1			
93		PIN (With IK-1559 and IK-1569-A)	2		269001-	403001-
94		920007 Washer, 1/4 Plain	1			
95	IK-1569-A	932000 Cotter Pin, 1/16 x 1/2	2			
96	IL-1738	LATCH, Accelerator Pedal	1		269001-	403001-
97		CLIP, Fuel Stop Wire - Diesel (Replaces 1M-1756)	1	351408-	273776-	403391-
98	IK-1748	CHAIN, Fuel Stop - Diesel	1		273776-	403391-
99	1M-1755	932009 Cotter Pin, 3/32 x 1	1			
100	1M-1756	WIRE Assembly, Fuel Stop - Diesel	1	320001-351407	269001-273775	403001-403390
100		CLIP, Fuel Stop Wire - Diesel (Order 1L-1738)	1	320001-351407	269001-273775	403001-403390
100	1B-7362-B	GROMMET, Rubber - Diesel	1	320001-3507421	269001-3507421	403001-3507421
100		(5/8" OD, 3/8" ID, 1 3/32 thick)	1			
100	1CD-7364	GROMMET, Rubber - Diesel	1	3507422-	3507422-	3507422-
100		(1-3/8" OD, 5/32" Groove, 3/4" ID)	1			

HOUR METER



Ref. No.	Part Number	Description	No. Req.	Row Crop Ser'tl. Number	Standard Serial Number	Industrial Ser'tl. Number
1	1K-235	WASHER, Copper (Counter Type)	4	3 20001-	269001-	403001-
2	1K-310	GEAR, Drive (Counter Type) - HC and KD (Center of pin hole is 7/16" from top of gear)	1	3 20001-6502	269001-6502	403001-6502
3		932285 Pin, 1/8 x 7/8 Groove	1			
2	1K-310-B	GEAR, Drive (Counter Type) - HC and KD (Center of pin hole is 3/16" from top of gear)	1	6503-	6503-	6503-
4	1K-310-A	GEAR, Drive (Counter Type) - Diesel	1	320001-	269001-	403001-
3		932285 Pin, 1/8 x 7/8 Groove	1			
3	1K-331	PIN, Drive Gear (With 1K-310-B)	1	6503-	6503-	6503-
5	1M-1307	BRACKET, Hour Meter (Electric) - HC, KD & Diesel	1	320001-	269001-	403001-
6		909054 Screw, 1/4 - 20 x 5/8 Mach	2			
7		920081 Lock Washer, 1/4	2			
8		915111 Nut, 1/4 - 20 Hex	2			
9	1K-1308	BRACKET, Relay Mounting (Electric) - Diesel	1	320001-	269001-	403001-
10		909052 Screw, 1/4 - 20 x 5/8 Mach	2			
11		920081 Lock Washer, 1/4	2			
12		915111 Nut, 1/4 - 20 Hex	2			
13	1KS-1359-H	WIRE, Relay to Generator (Electric) - Diesel	1	320001-	269001-	403001-
14	1K-7329	GASKET, Drive Shaft Housing (Counter Type) - Diesel	1	320001-	269001-	403001-
15	1K-7331	HOUR METER (Electric) - HC and KD	1	320001-	269001-	403001-
16		908983 Screw, No. 6 - 32 x 7/16 Mach	3			
17		920077 Lock Washer, No. 6	3			
18		915536 Nut, No. 6 - 32 Hex	3			

HOUR METER

Ref. No.	Part Number	Description	No. Req.	Row Crop Serial Number	Standard Serial Number	Industrial Serial Number
19	1K-7331-A	HOUR METER (Electric) - Diesel	1	320001-	269001-	403001-
16		908983 Screw, No. 6 - 32 x 7/16 Mach	3			
17		920077 Lock Washer, No. 6	3			
18		915536 Nut, No. 6 - 32 Hex	3			
20	1K-7331-B	HOUR METER (Counter Type) - HC, KD & Diesel	1	320001-	269001-	403001-
21		S-2580 Screw, No. 10 - 24 x 5/8 Mach	4			
22	1K-7332	GASKET, Hour Meter (Counter Type) - HC, KD & Diesel	1	320001-	269001-	403001-
23	1K-7334	HOUSING, Drive Shaft (Counter Type) - Diesel (Order 1KS-7334)	1	320001-	269001-	403001-
24		935013 Plug, 1 Dia Expansion	1			
25	1KS-7334	HOUSING Assembly, Drive Shaft and Gear (Counter Type) - Diesel	1	320001-	269001-	403001-
26		908332 Cap Screw, 3/8 - 16 x 1 Hex Hd	2			
		920009 Washer, 3/8 Plain	4			
27		920083 Lock Washer, 3/8	2			
28	1K-7335	SHAFT, Drive (Counter Type) - Diesel	1	320001-	269001-	403001-
29	1K-7337	RELAY (Electric) - Diesel (Includes Screws and Lock Washers)	1	320001-	269001-	403001-
30	1K-7338	GEAR, Driven (Counter Type)	1	320001-	269001-	403001-
31		932259 Groove Pin, 5/64 x 1/2	1			
32	1A-7362	BUSHING, Rubber (Electric)	1	320001-	269001-	403001-

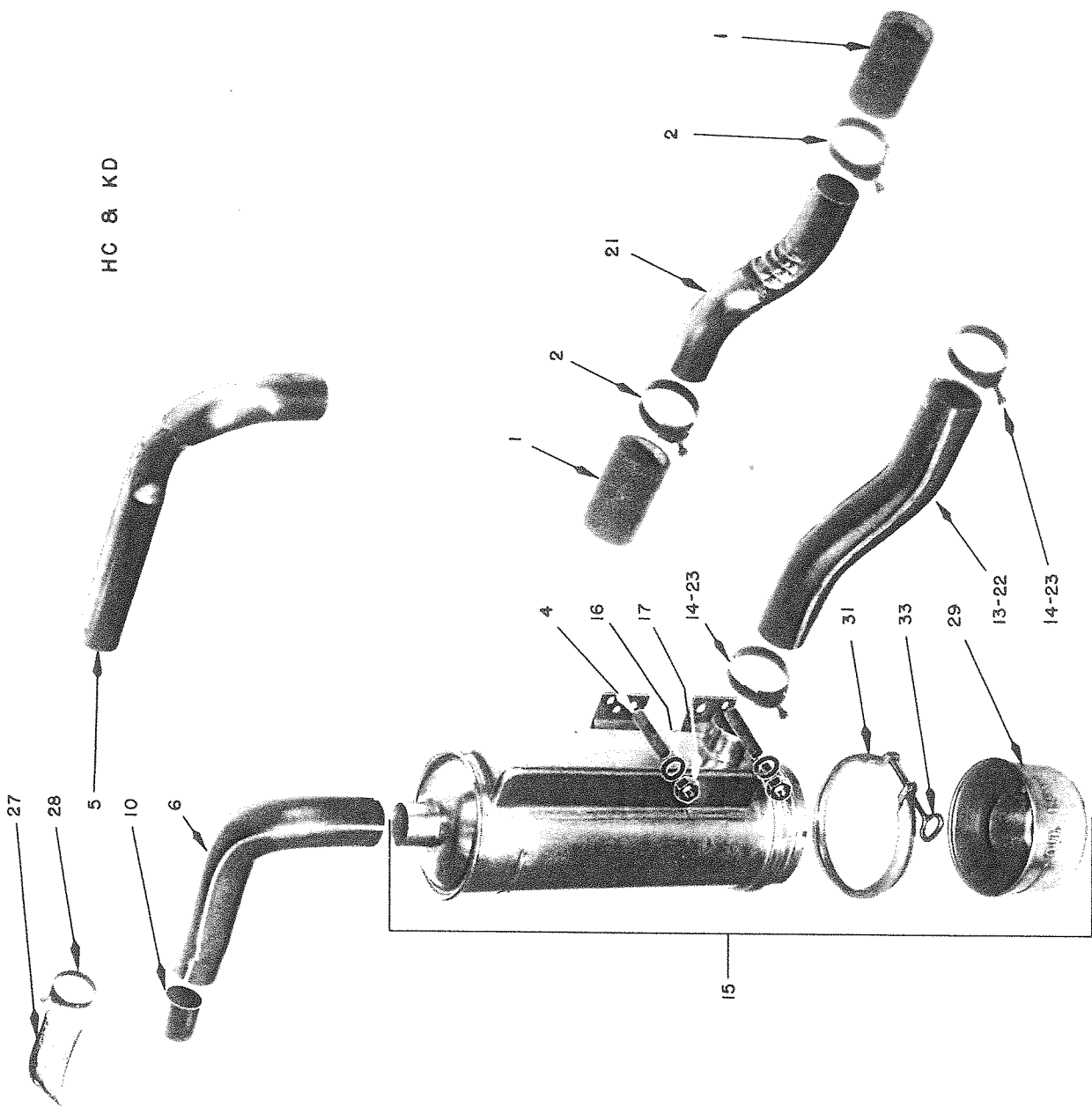
66

67

68

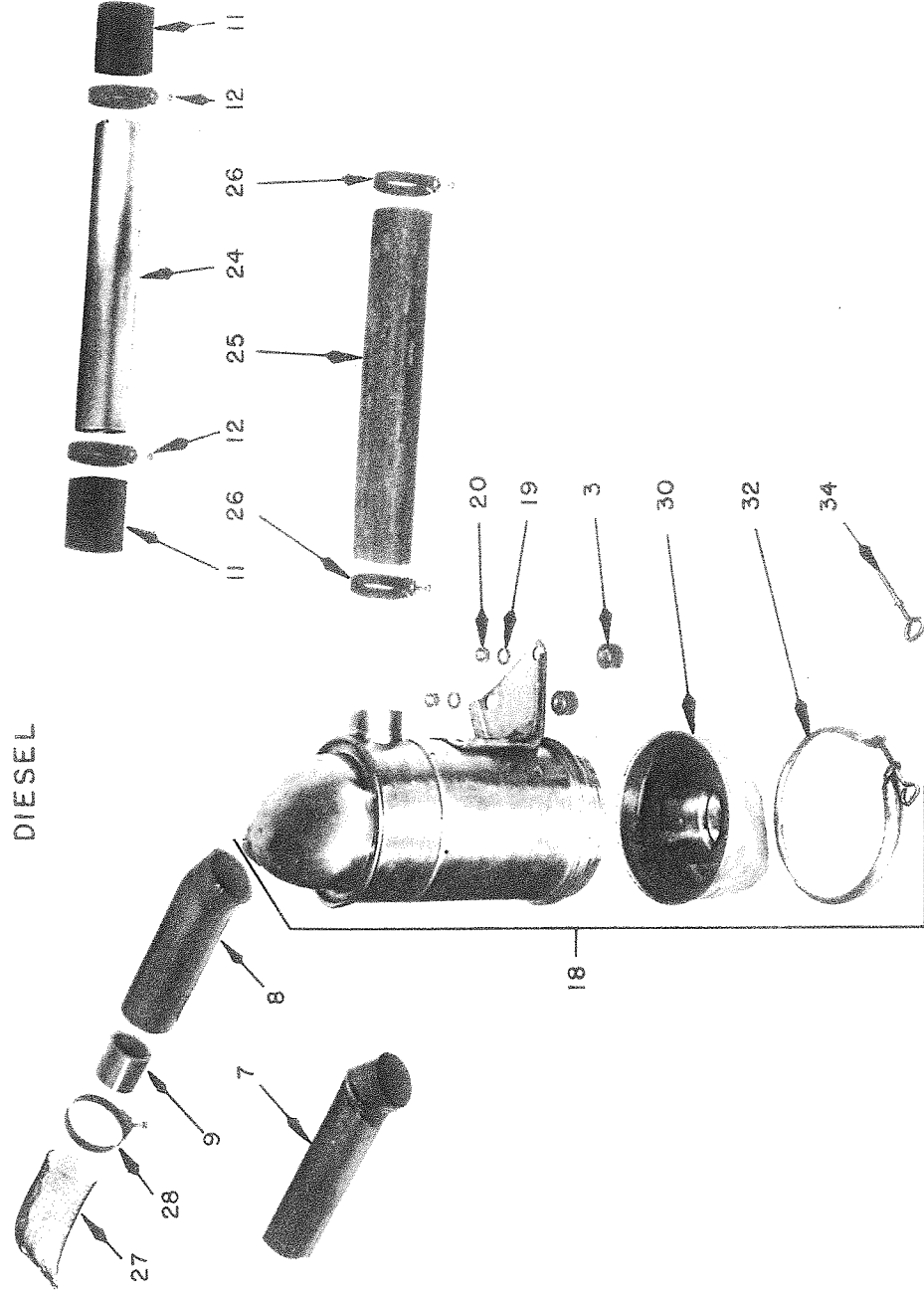
69

AIR CLEANER



Ref. No.	Part Number	Description	No. Req.	Row Crop Serial Number	Standard Serial Number	In dustrial Serial Number
1	1B-388	HOSE, Air Cleaner to Carburetor Tube - HC & KD	2	320001-3-41033	269001-272880	403001-403185
2		S-2995 Clamp for 1-7/8 OD Hose	4			
3	1M-397	SPACER, Air Cleaner Support - Diesel (With 1M5-406-C)	2	335703-3506257	272371-3506257	403186-3506257

AIR CLEANER

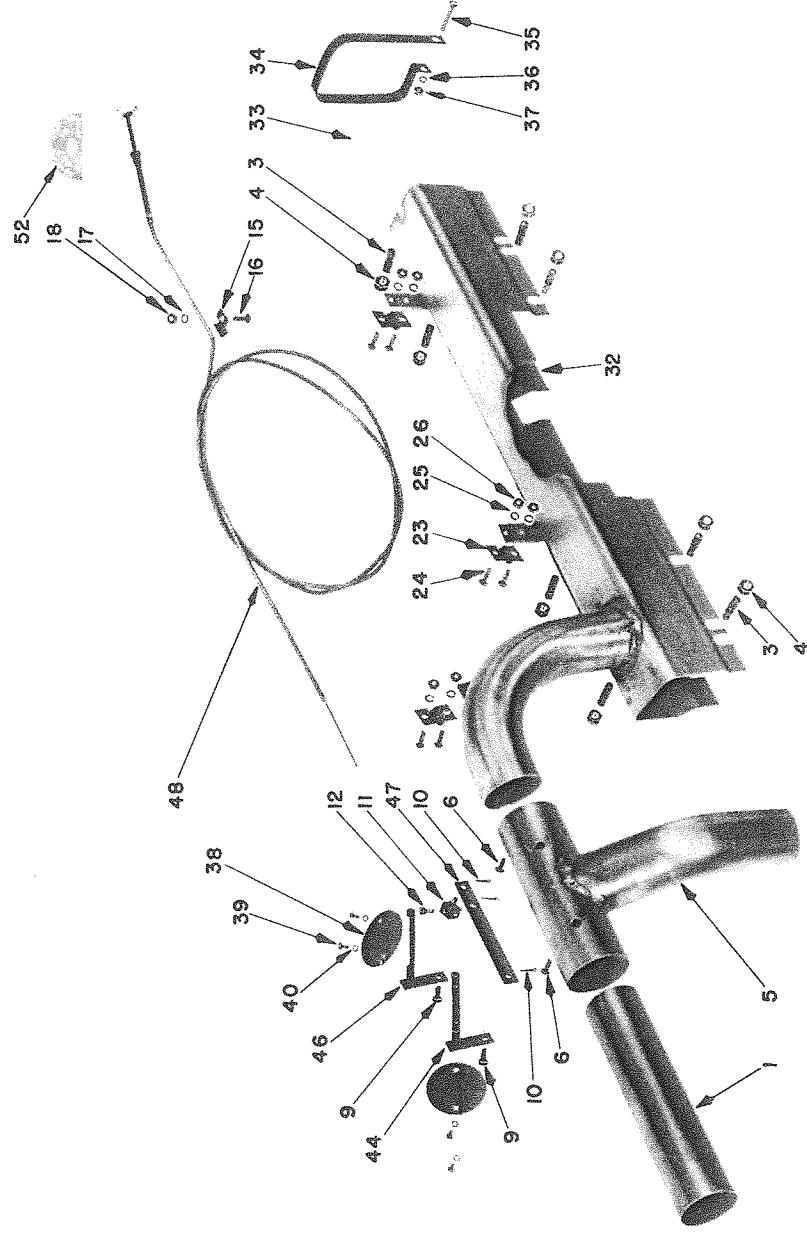


Ref. No.	Part Number	Description	No. Req.	Row Crop Serial Number	Standard Serial Number	Industrial Serial Number
4	1C-398	STUD - 3/8 x 1-7/16 (Used with 1M5-406 and 1M5-406-A)	2	320001-	269001-	403001-
5	1M-402	PIPE, Air Cleaner Intake - HC	1	320001-323150	269001-269939	403001-403010
5	1M-402-B	PIPE, Air Cleaner Intake - HC (Order one each 1M-402-E, 1M-403, 1K-1003 and S-3759)	1	323151-341033	269940-272880	403011-403185
6	1M-402-E	HOSE, Air Cleaner Inlet - HC	1	341034-8304	272881-8304	403186-8304
6	1M-402-G	HOSE, Air Cleaner Inlet - HC	1	8305-	8305-	8305-
7	1M-402-D	PIPE, Air Cleaner Inlet - Diesel	1	320001-341033	269001-272880	403001-403185
8	1M-402-F	HOSE, Air Cleaner Inlet - Diesel	1	341034-	272881-	403186-
9	1L-403	REINFORCEMENT, Air Cleaner Inlet Hose - Diesel	1	341034-8304	272881-8304	403186-8304
10	1M-403	REINFORCEMENT, Air Cleaner Inlet Hose - HC	1	341034-8304	272881-8304	403186-8304
11	1K-405-A	HOSE, Air Cleaner Outlet Pipe - Diesel	2	320001-341033	269001-272880	403001-403185
12		S-2946 Clamp for 2-5/16 OD Hose	4	8305-	8305-	8305-
13	1M-405	HOSE, Air Cleaner to Carburetor - HC	1			
14		S-3000 Clamp for 2-3/16 ID Hose	2			

AIR CLEANER

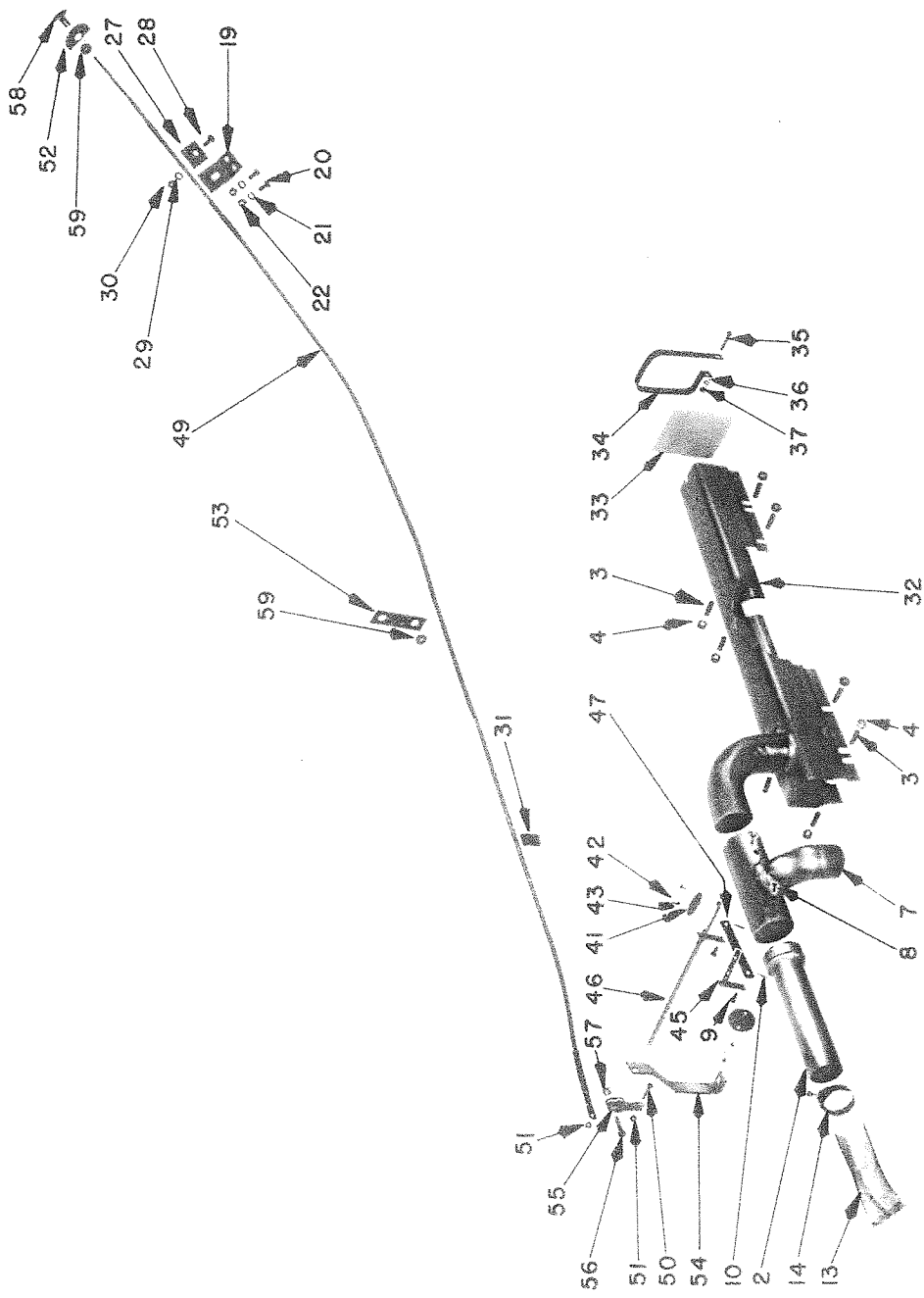
Ref. No.	Part Number	Description	No. Req.	Row Crop Serial Number	Standard Serial Number	Industrial Serial Number
15	IMS-406	AIR CLEANER - HC and KD	1	320001-323150	269001-269939	403001-403010
16		920083 Lock Washer, 3/8	2			
17		915002 Nut, 3/8 - 24 Hex	2			
15	IMS-406-A	AIR CLEANER - HC and KD	1	323151-8304	269940-8304	403011-8304
16		920083 Lock Washer, 3/8	2			
17		915002 Nut, 3/8 - 24 Hex	2			
15	IMS-406-D	AIR CLEANER - HC	1	8305-	8305-	8305-
16		920083 Lock Washer, 3/8	2			
17		915002 Nut, 3/8 - 24 Hex	2			
18	IMS-406-B	AIR CLEANER - Diesel (Order IMSR-406-C)	1	320001-335702	269001-272370	402001-403185
18	IMS-406-C	AIR CLEANER - Diesel	1	335703-	272371-	403186-
19		920085 Lock Washer, 1/2	2			
20		915115 Nut, 1/2 - 13 Hex	2			
	IMSR-406-C	AIR CLEANER Change-Over Package - Diesel (Replaces IMS-406-B)	1	320001-335702	269001-272370	403001-403185
21	IM-433	TUBE, Air Cleaner to Carburetor - HC and KD	1	320001-341033	269001-272880	403001-403185
22	IM-433-D	HOSE, Air Cleaner to Carburetor - HC and KD	1	341034-8304	272881-8304	403186-8304
23		S-3758 Clamp for 1-15/16 OD Hose	2			
24	IM-433-C	PIPE, Air Cleaner Outlet - Diesel	1	320001-341033	269001-272880	403001-403185
25	IMA-433-E	HOSE, Air Cleaner Outlet - Diesel	1	341034-	272881-	403186-
26		S-3711 Clamp for 2-1/2 OD Hose	2			
27	IM-1003	SCREEN, Air Intake Pipe- HC, KD and Diesel (KD tractors continue to use this screen above the Serial Numbers shown)	1	325601-341033	270566-272880	403001-403185
28		S-3758 Clamp for 1-15/16 OD Hose	1			
27	IK-1003	SCREEN, Air Intake Pipe - HC	1	341034-8304	272881-8304	403186-8304
28		S-3759 Clamp for 2-1/4 OD Hose	1			
27	IL-1003-A	SCREEN, Air Intake Pipe - Diesel and HC (Used on HC Serial Number 8305-)	1	341034-	272881-	403186-
28		S-3755 Clamp for 2-1/2 OD Hose	1			
29	IB-6054-B	CUP, Air Cleaner (With IMS-406)	1	320001-323150	269001-269939	403001-403010
29	IM-6054	CUP, Air Cleaner (With IMS-406-A)	1	323151-8304	269940-8304	403011-8304
29	IK-6054	CUP, Air Cleaner (With IMS-406-D)	1	8305-	8305-	8305-
30	IM-6054-A	CUP, Air Cleaner (With IMS-406-B and IMS-406-C)	1	320001-	269001-	403001-
31	IB-6058	CLAMP With Bolt (1B-6061), Air Cleaner Cup Retaining (With IMS-406-D)	1	8305-	8305-	8305-
31	IB-6058-A	CLAMP With Bolt (1B-6061), Air Cleaner Cup Retaining (With IMS-406 and IMS-406-A)	1	320001-8304	269001-8304	403001-8304
32	IK-6058	CLAMP With Bolt (1K-6061), Air Cleaner Cup Retaining (With IMS-406-B and IMS-406-C)	1	320001-	269001-	403001-
33	IB-6061	BOLT, Air Cleaner Cup Clamp (With IMS-406, IMS-406-A and IMS-406-D)	1	320001-	269001-	403001-
34	IK-6061	BOLT, Air Cleaner Cup Clamp (With IMS-406-B and IMS-406-C)	1	320001-	269001-	403001-

MANIFOLD PREHEATER



Ref. No.	Part Number	Description	No. Req.	Row Crop Ser'cl Number	Standard Ser'cl Number	Industrial Ser'cl Number
1	1M-402-A	PIPE, Air Cleaner Intake - KD	1	320001-324052	269001-270338	
2	1M-402-C	PIPE, Air Cleaner Intake - KD	1	324053-	270339-	
3	1K-430	STUD, Air Heater Manifold - KD (5/16 x 3/4)	8	320001-	269001-	
4		S-890 Nut, 5/16 - 24 Hex Jam	4			
5	1MS-433-A	TEE, Air Cleaner Inlet Pipe - KD	1	320001-324052	269001-270338	
6		S-763 Screw, No. 10 - 32 x 3/8 Shakeproof	2			
5	1MS-433-B	TEE, Air Cleaner Inlet Pipe - KD	1	324053-332450	270339-271700	
6		S-763 Screw, No. 10 - 32 x 3/8 Shakeproof	2			
7	1MS-433-C	TEE, Air Cleaner Inlet Pipe - KD	1	332451-	271701-	
8		S-763 Screw, No. 10 - 32 x 3/8 Shakeproof	2			
9	1K-884	PIN, Heater Control Valve Link Control Rod - KD	2	320001-	269001-	
10		932000 Cotter Pin, 1/16 x 1/2	2			
11	1K-886-A	CONNECTOR, Heat Control Wire - KD	1	320001-332450	269001-271700	
12		S-2542 Screw, No. 8 - 32 x 3/8 Mach	1			
10		932000 Cotter Pin, 1/16 x 1/2	1			
13	1M-1003	SCREEN, Air Intake Pipe - KD	1	325601-	270566-	
14		S-3758 Clamp for 1-15/16 OD Hose	1			

MANIFOLD PREHEATER



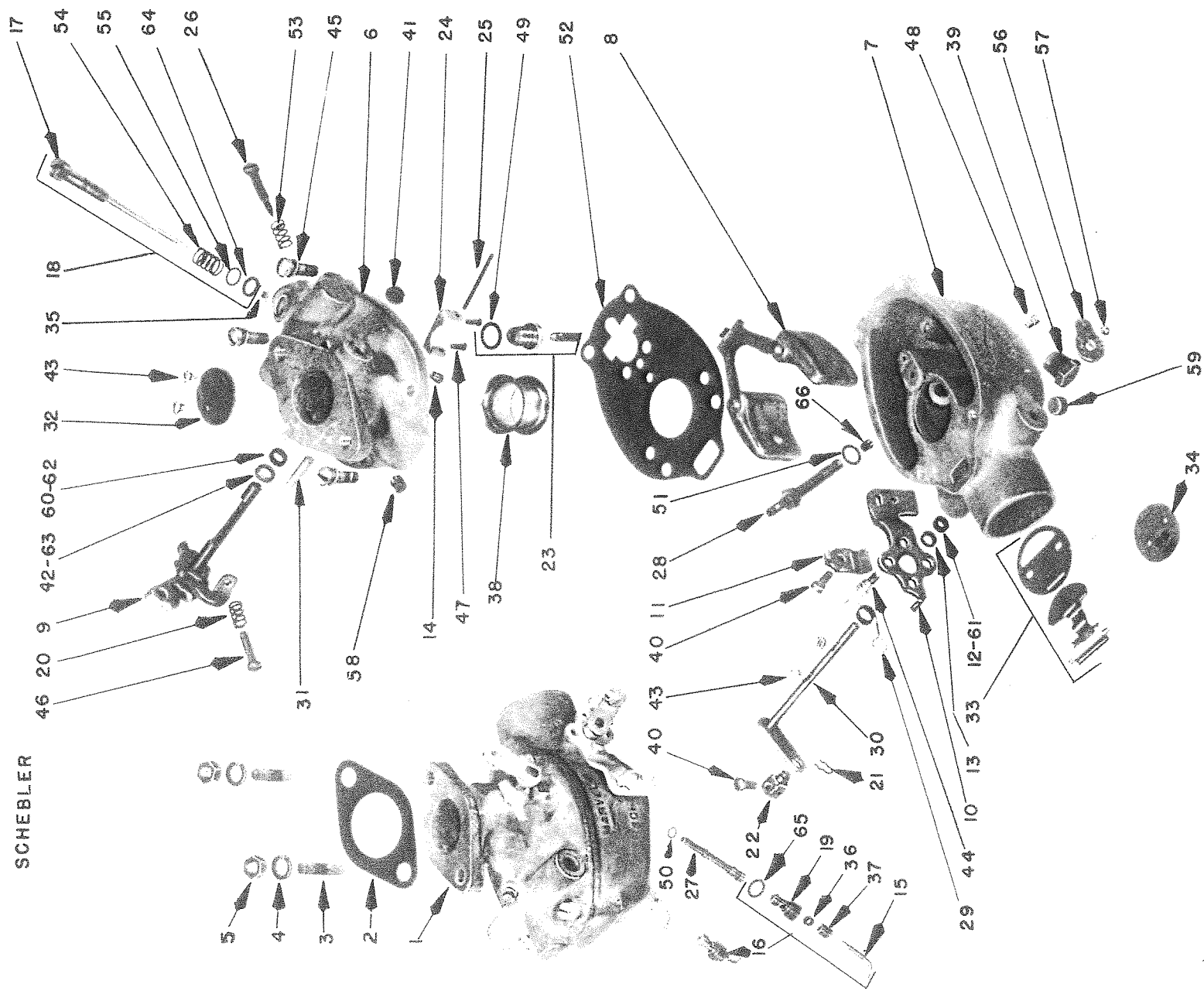
Ref. No.	Part Number	Description	No. Req.	Row Crop Serial Number	Standard Serial Number	Industrial Serial Number
15	1B-1014	CLAMP, Heat Control Wire - Rear - KD 909019 Screw, No. 10 - 24 x 1/2 Mach 920079 Lock Washer, No. 10 915538 Nut, No. 10 - 24 Hex	1 1 1 1	320001-332450	269001-271700	
16						
17						
18						
19	1K-1014-E	BRACKET, Heat Control - Rear - KD 909052 Screw, 1/4 - 20 x 1/2 Mach 920081 Lock Washer, 1/4 915111 Nut, 1/4 - 20 Hex	1 2 2 2	332451-	271701-	
20						
21						
22						
23	1K-1014	CLAMP, Heat Control Wire - Front - KD 909019 Screw, No. 10 - 24 x 1/2 Mach 920079 Lock Washer, No. 10 915538 Nut, No. 10 - 24 Hex	3 6 6 6	320001-332450	269001-271700	
24						
25						
26						
27	1K-1014-F	CLAMP, Heater Control - KD 909054 Screw, 1/4 - 20 x 5/8 Mach 920081 Lock Washer, 1/4 915111 Nut, 1/4 - 20 Hex	1 1 1 1	332451-	271701-	
28						
29						
30						
31	1M-1014	CLIP, Heater Control - KD	1	332451-	271701-	
32	1MS-1470	MANIFOLD, Air Preheater - KD	1	320001-324052	269001-270338	
32	1MS-1470-A	MANIFOLD, Air Preheater - KD	1	324053-332450	270339-271700	
32	1MS-1470-B	MANIFOLD, Air Preheater - KD	1	332451-	271701-	

MANIFOLD PREHEATER

Ref. No.	Part Number	Description	No. Req.	Row Crop Serial Number	Standard Serial Number	Industrial Serial Number
33	1K-1473	SCREEN, Air Heater Manifold - KD	1	320001-	269001-	
34	1K-1474	CLAMP, Air Heater Manifold Screen - KD	1	320001-	269001-	
35		S-728 Screw, No. 10 - 24 x 1-3/8 Mach	1			
36		920079 Lock Washer, No. 10	1			
37		915538 Nut, No. 10 - 24 Hex	1			
38	1M-1475	VALVE, Heater Control Butterfly - KD	2	320001-324052	269001-270338	
39		908980 Screw, No. 6 - 32 x 1/4 Mach	4			
40		920077 Lock Washer, No. 6	4			
41	1K-1475	VALVE, Heater Control Butterfly - KD	2	324053-	270339-	
42		908980 Screw, No. 6 - 32 x 1/4 Mach	4			
43		920077 Lock Washer, No. 6	4			
44	1MS-1476-A	SHAFT Assembly, Heater Control Valve - Front - KD	1	320001-324852	269001-270338	
45	1KS-1476-A	SHAFT Assembly, Heater Control Valve - Front - KD	1	324053-	270339-	
46	1MS-1476-B	SHAFT Assembly, Heater Control Valve - Rear - KD	1	320001-324052	269001-270338	
46	1KS-1476-B	SHAFT Assembly, Heater Control Valve - Rear - KD	1	324053-332450	270339-271700	
46	1MS-1476-C	SHAFT Assembly, Heater Control Valve - Rear - KD	1	332451-	271701-	
47	1M-1477	LINK, Heater Control Valve - KD	1	320001-324052	269001-270338	
47	1K-1477	LINK, Heater Control Valve - KD	1	324053-332450	270339-271700	
47	1M-1477-A	LINK, Heater Control Valve - KD	1	332451-	271701-	
48	1K-1479	WIRE, Heater Control - KD	1	320001-332450	269001-271700	
49	1MS-1479	CONTROL Assembly, Air Preheater - KD	1	332451-	271701-	
50		909024 Screw, No. 10 - 24 x 1 Mach	1			
51		915538 Nut, No. 10 - 24 Hex	2			
52	1K-1482	ESCUTCHEON, Air Heater Control - KD	1	320001-	269001-	
53	1L-1483	SUPPORT, Heater Control - KD	1	332451-	271701-	
54	1M-1484	BRACKET, Heater Control Control - KD	1	332451-	271701-	
55	1L-1485	LEVER, Heater Control - KD	1	332451-	271701-	
56		908303 Cap Screw, 1/4 - 20 x 1 Hex Hd	1			
57		915111 Nut, 1/4 - 20 Hex	1			
58	1HA-7358	KNOB, Heater Control - KD	1	332451-	271701-	
59	1B-7362	GROMMET, Rubber - KD	2	332451-	271701-	

CARBURETOR (SCHEBLER)

SCHEBLER



CARBURETOR (SCHEBLER)

Ref. No.	Part Number	Description	No. Req.	Row Crop Ser. cl. Number	Standard Ser. cl. Number	Industrial Ser. cl. Number
1	IMS-393	CARBURETOR (Schebler TSX-363) - HC	1	320001-6502	269001-6502	403001-6502
1	IMS-393-A	CARBURETOR (Schebler TSX-380) - KD	1	320001-	269001-	
1	IKS-393-B	CARBURETOR (Schebler TSX-374) - HC	1	6503-	6503-	6503-
Ref. No.	Part Number	Schebler Part Number	Description	IMS-393	IMS-393-A	IKS-393-B
2	1B-396		GASKET, Carburetor to Manifold	1	1	1
3	IK-398		STUD, Carburetor to Manifold (5/16 x 1-1/8)	2		2
4			920082 Lock Washer, 5/16	2		2
5			915001 Nut, 5/16 - 24 Hex	2		2
3	IM-398		STUD, Carburetor to Manifold (5/16 x 1)		2	
4			920123 Lock Washer, 5/16 External Tooth		2	
5			915084 Nut, 5/16 - 24 Hex Jam		2	
6	IKS-7600-B	227-1181	BODY With Shaft, Throttle			1
6	IMS-7600	227-1170	BODY With Shaft, Throttle	1		
6	IMS-7600-A	227-1184	BODY With Shaft, Throttle		1	
7	IK-7601	10-A38	BODY, Carburetor (Order IKS-7601)			1
7	IM-7601	10-A190	BODY, Carburetor (Order IMS-7601 or IMS-7601-A)	1	1	
7	IKS-7601	10-3167	BODY Assembly, Carburetor			1
7	IMS-7601	10-3277	BODY Assembly, Carburetor	1		
7	IMS-7601-A	10-3311	BODY Assembly, Carburetor		1	
8	1HS-7605	30-600	FLOAT	1	1	
8	IKS-7605	30-631	FLOAT			1
9	IKS-7606	13-916	SHAFT Assembly, Throttle			1
9	IMS-7606	13-1012	SHAFT Assembly, Throttle	1	1	
10	1H-7609	29-86	BRACKET, Choke	1	1	
10	IK-7609	29-123	BRACKET, Choke			1
	1HS-7609	29-520	BRACKET (1H-7609) With Clip (1H-7610), Choke	1	1	
	IKS-7609	29-547	BRACKET (1K-7609) With Clip (1H-7610), Choke			1
11	1H-7610	29-81	CLIP, Choke Bracket	1	1	
12	1H-7611	44-39	PACKING, Choke Shaft	1	1	
13	1H-7612	55-243	RETAINER, Choke Shaft Packing	1	1	
14	1A-7613-A	49-165	JET, Idle	1	1	
14	1H-7613	49-101-L	JET, Idle			1
15	IK-7614	43-134	NEEDLE, High Speed (Order IKS-7614-B)			1
16	IKS-7614-B	43-625	NEEDLE Assembly, High Speed	1	1	
17	IMS-7614	43-627	NEEDLE Assembly, High Speed			1
18	IMS-A-7614	43-619	NEEDLE, Valve and Spring Assembly, High Speed	1	1	
19	IK-7615-B	36-296	SEAT, High Speed Needle (Order IKS-7614-B)			1
20	1H-7617	24-262	SPRING, Throttle Stop Screw	1	1	

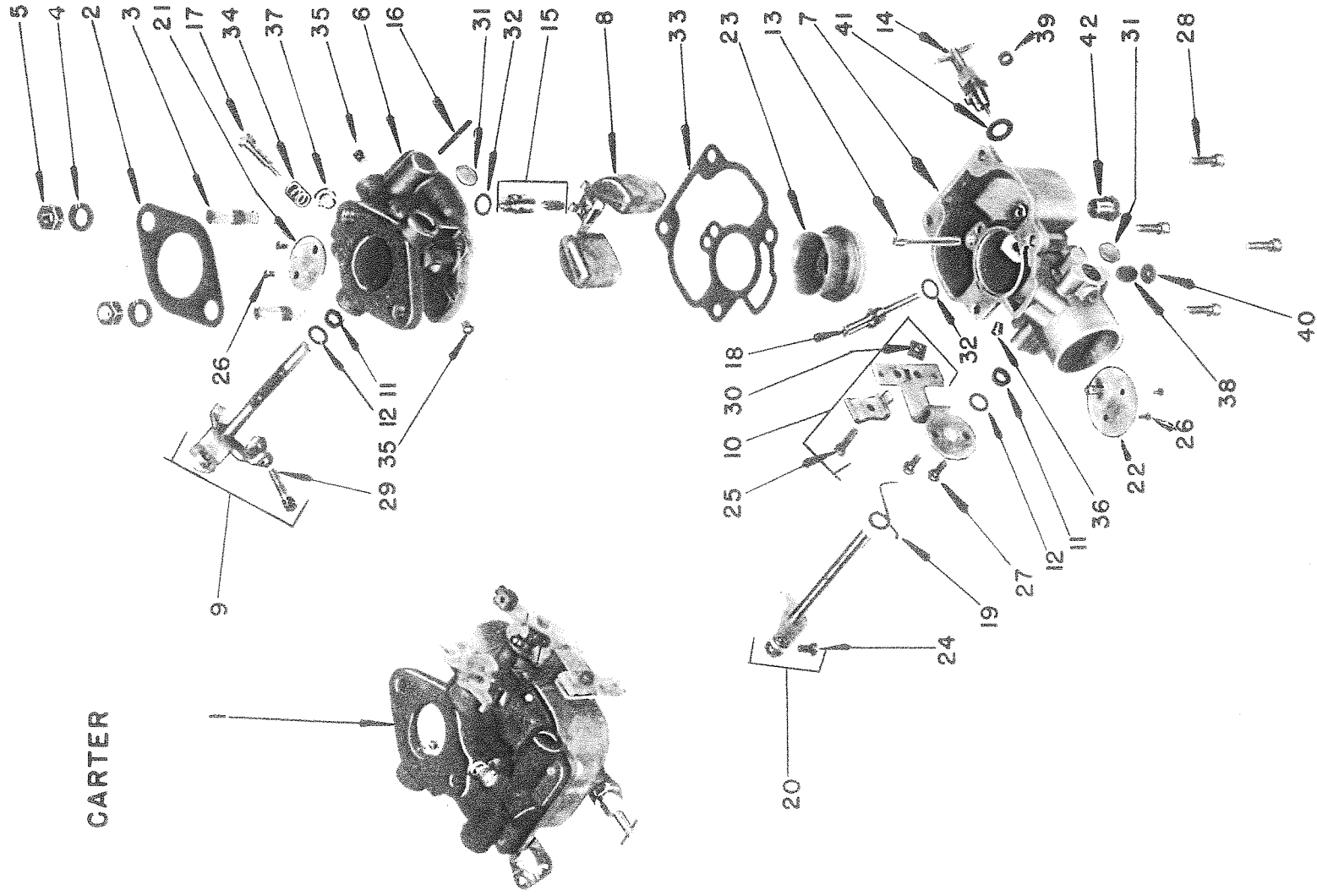
CARBURETOR (SCHEBLER)

Ref. No.	Part Number	Schebler Part Number	Description	IMS-393	IMS-393-A	IKS-393-B
21	IH-7619	82-16	COTTER PIN, Choke Lever Swivel	1	1	1
22	IH-7620	28-49	SWIVEL, Choke Lever	1	1	1
23	IFS-7623	233-543	VALVE With Seat And Gasket, Float	1	1	1
23	IHS-7623	233-536	VALVE With Seat And Gasket, Float	1	1	1
24	IH-7625	136-54	BRACKET, Float	1	1	1
25	IF-7626	32-16	AXLE, Float	1	1	1
25	IH-7626	32-27	SHAFT, Float Lever	1	1	1
26	IH-7628	43-33	NEEDLE, Idle Adjusting	1	1	1
27	IK-7629-B	47-343	NOZZLE, Main	1	1	1
28	IM-7629	47-608	NOZZLE, Main	1	1	1
28	IM-7629-A	47-712	NOZZLE, Main	1	1	1
29	IA-7630	24-A3	SPRING, Choke Return	1	1	1
29	IH-7630	24-153	SPRING, Choke Return	1	1	1
30	IHS-7631	26-627	SHAFT And Lever, Choke	1	1	1
30	IKS-7631	26-786	SHAFT And Lever, Choke	1	1	1
31	IH-7633	62-167	PIN, Throttle Stop	1	1	1
32	IH-7634	14-169	PLATE, Throttle	1	1	1
32	IK-7634	14-225	PLATE, Throttle	1	1	1
32	IM-7634	14-235	PLATE, Throttle	1	1	1
33	IHS-7635	27-539	PLATE And Poppet Valve, Choke	1	1	1
34	IKS-7635	27-540	PLATE And Poppet Valve, Choke	1	1	1
35	IH-7636	36-202	SEAT, High Speed Needle Valve	1	1	1
36	IK-7636	44-51	PACKING, High Speed Needle Valve	1	1	1
37	IK-7637	55-285	RETAINER, High Speed Needle Valve Packing	1	1	1
38	IK-7638-B	46-A5	VENTURI, Main - 13/16"	1	1	1
38	IM-7638	46-476	VENTURI, Main - 23/32"	1	1	1
39	IH-7639	99-7	PLUG, Drain	1	1	1
39	IK-7639	87-3A	PLUG, Drain	1	1	1
40	IM-7640	15-108	SCREW, Choke Swivel And Bracket	2	2	2
41	IH-7641	55-230	CUP, Throttle Shaft	1	1	1
42	IK-7641	55-261	RETAINER, Throttle Shaft Packing	4	4	1
43	IM-7642	15-A91	SCREW, Throttle Fly And Choke Fly	4	4	4
43	IC-7643-A	15-483	SCREW, Throttle Fly And Choke Fly	1	1	4
44	IK-7644	15-A93	SCREW, Choke Bracket	4	4	1
45	IK-7645	15-A85	SCREW, Body	4	4	4
45	IM-7645	15-A82	SCREW, Body	4	4	4
46	IH-7646	15-42	SCREW, Throttle Stop	1	1	1
47	IH-7648	15-343	SCREW, Float Bracket Drive	2	2	2

CARBURETOR (SCHEBLER)

Ref. No.	Part Number	Schebler Part Number	Description	1M5-393	1M5-393-A	IKS-393-B
48	1F-7651	15-409	SCREW, Nozzle Hole	1	1	1
49	1H-7653	16-4	GASKET, Float Valve Seat	1	1	1
50	1F-7654	16-456	GASKET, Main Nozzle	1	1	1
51	1H-7654	16-449	GASKET, Main Nozzle	1	1	1
52	1H-7655	16-80	GASKET, Bowl	1	1	1
52	1K-7655	16-A41	GASKET, Bowl	1	1	1
	1H5-7655	16-592	GASKET Package, Carburetor	1	1	1
	1KS-7655	16-654	GASKET Package, Carburetor	1	1	1
53	1H-7658	24-340	SPRING, Idle Needle	1	1	1
54	1M-7659	24-A1	SPRING, High Speed Needle	1	1	1
55	1H-7661	78-299	WASHER, High Speed Needle	1	1	1
56	1K-7662-B	63-354	PLATE, Name	1	1	1
56	1M-7662	63-343	PLATE, Name	1	1	1
56	1M-7662-A	63-358	PLATE, Name	1	1	1
57	1H-7663	206-36	BALL, Name Plate	1	1	1
58	1K-7663	80-171	PLUG, Idle Drilling	1	1	1
59	1M-7664	95-78	STRAINER, Gas Drain	1	1	1
60	1A-7666	44-27	PACKING, Throttle Shaft	1	1	1
61	1H-7666	44-38	PACKING, Choke Shaft	1	1	1
62	1H-7666	44-38	PACKING, Throttle Shaft (Order 1M-7666)	1	1	1
	1M-7666	44-63	PACKING, Throttle Shaft	1	1	1
63	1H-7667	55-231	RETAINER, Throttle Shaft Packing (Order 1M-7666)	1	1	1
64	1H-7668	16-491	GASKET, High Speed Needle	1	1	1
65	1K-7668	16-47	GASKET, High Speed Needle	1	1	1
66	1M-7669-A	49-173	JET, Power	1	1	1
66	1M-7669-B	49-188	JET, Power	1	1	1
	1KSR-7670-H		REPAIR KIT, Carburetor	1	1	1
	1MSR-7670		REPAIR KIT, Carburetor	1	1	1

CARBURETOR (CARTER)



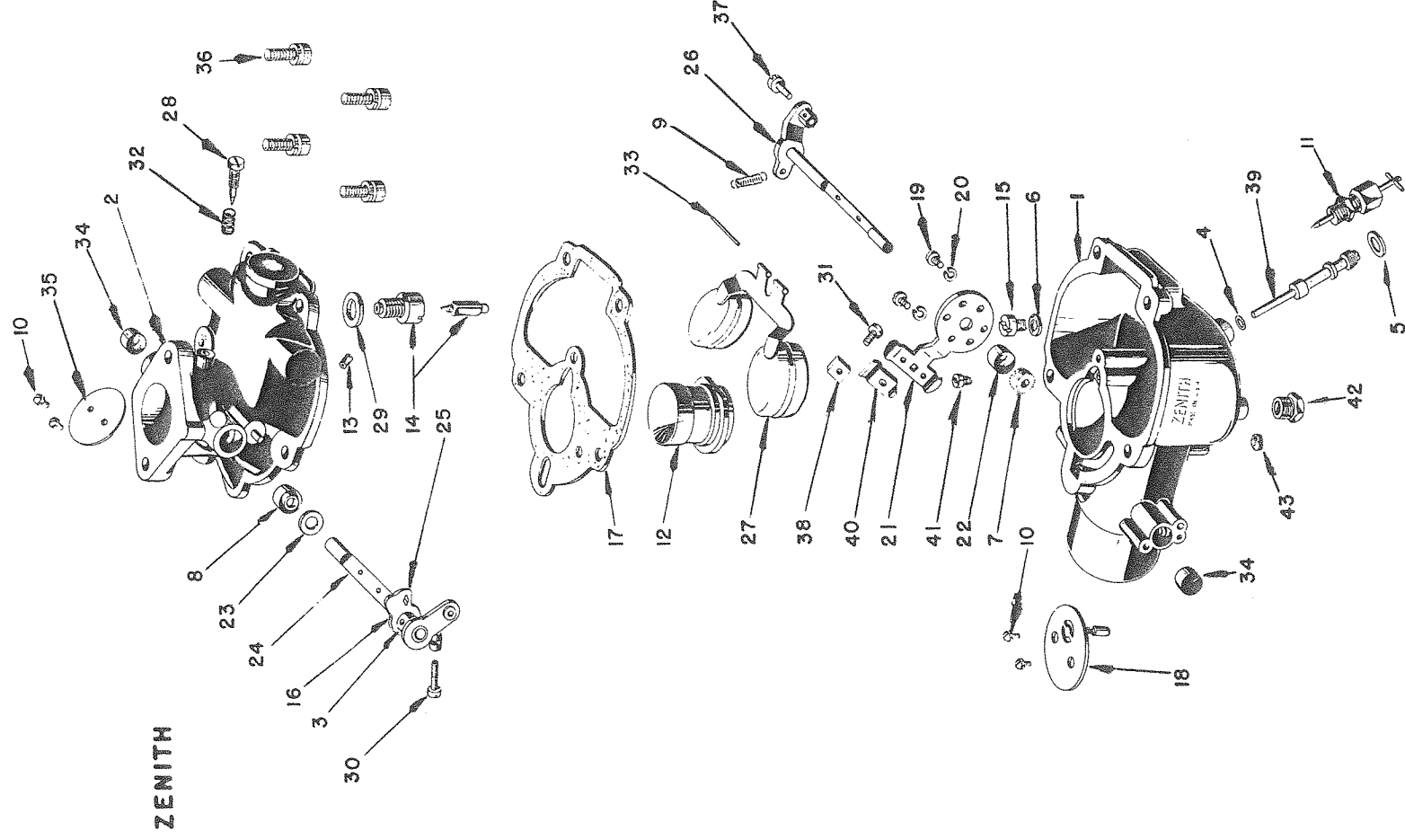
CARBURETOR (CARTER)

Ref. No.	Part Number	Description	No. Req.	Row Crop Serial Number	Standard Serial Number	Industry Set of Number
1	1MAS-393	CARBURETOR (Carter UT-923S) - HC (Optional with 1MS-393)	1	320001-6502	269001-6502	40 3001-6502
Ref. No.	Part Number	Carter Part Number	Description	No. Req.		
2	1B-396		GASKET, Carburetor to Manifold			
3	1K-398		STUD, Carburetor to Manifold (5/16 x 1-1/8)			
4			920082 Lock Washer, 5/16			
5			9150 01 Nut, 5/16 - 24 Hex			
6			BODY, Throttle (Order 1MS-7800-B)			
			BODY With Shaft, Throttle - Complete			
7	1MS-7600-B	1-994S	AIR HORN (Order 1MAS-393)			
8	1MS-7605	21-121S	FLOAT And Lever Assembly			
9	1MS-7606-A	3-753S	SHAFT And Lever Assembly, Throttle			
10	1MS-7609	62-182S	BRACKET Assembly, Choke Tube			
11	1M-7611	163-21	SEAL, Choke And Throttle Shaft Dust			
12	1M-7612	136-131	RETAINER, Choke And Throttle Shaft Dust Seal			
13	1M-7613	11-237S	JET Assembly, Low Speed			
14	1MS-7614-A	159-135S	METERING Screw And Needle Assembly, Adjustable Main			
15	1MS-7623	25-33S	NEEDLE And Seat Assembly			
16	1M-7626	24-15	PIN, Float Lever			
17	1M-7628	30A-37	SCREW, Idle Adjustment			
18	1M-7629-B	12-392S	NOZZLE Assembly			
19	1M-7630	61-448	SPRING, Choke Return			
20	1MS-7631	14-437S	LEVER And Shaft Assembly, Choke			
21	1M-7634-A	2-131	VALVE, Throttle			
22	1MS-7635	7-175S	VALVE Assembly, Choke			
23	1M-7638-A	58-79	VENTURI			
24	1M-7640-A	101-10	SCREW, Wire Clamp			
25	1M-7640-B	101-12	SCREW, Tube Clamp			
26	1M-7642-A	39-10	SCREW, Throttle And Choke Valve			
27	1M-7644	101-213S	SCREW Assembly, Choke Tube Bracket Attaching			
28	1M-7645-A	101-160S	SCREW Assembly, Body Attaching			
29	1M-7646	101-246	SCREW, Throttle Adjusting			
30	1M-7649	105A-10	NUT, Tube Clamp			
31	1M-7650	47-26	PLUG, Welch			
32	1M-7654	20-22	GASKET, Needle Seat And Nozzle			
33	1M-7655	121-156	GASKET, Body			
34	1M-7658	61-84	SPRING, Idle Adjustment Screw			

CARBURETOR (CARTER)

Ref. No.	Part Number	Carter Part Number	Description	No. Req.
35	1M-7663	11B-42	PLUG, Rivet	2
36	1M-7663-A	11B-79	PLUG, Rivet	1
37	1M-7663-B	11B-108	PLUG, Idle Port Rivet	1
38	1M-7666-A	163-52	FELT, Air Horn Drain	1
39	1M-7666-B	163-53	PACKING, Main Metering Screw	1
40	1M-7667	136-130	RETAINER, Air Horn Dust Seal	1
41	1M-7668	20-110	GASKET, Main Metering Screw	1
42	1M-7669-C	11B-194	PLUG, Bowl Drain	1

CARBURETOR (ZENITH)



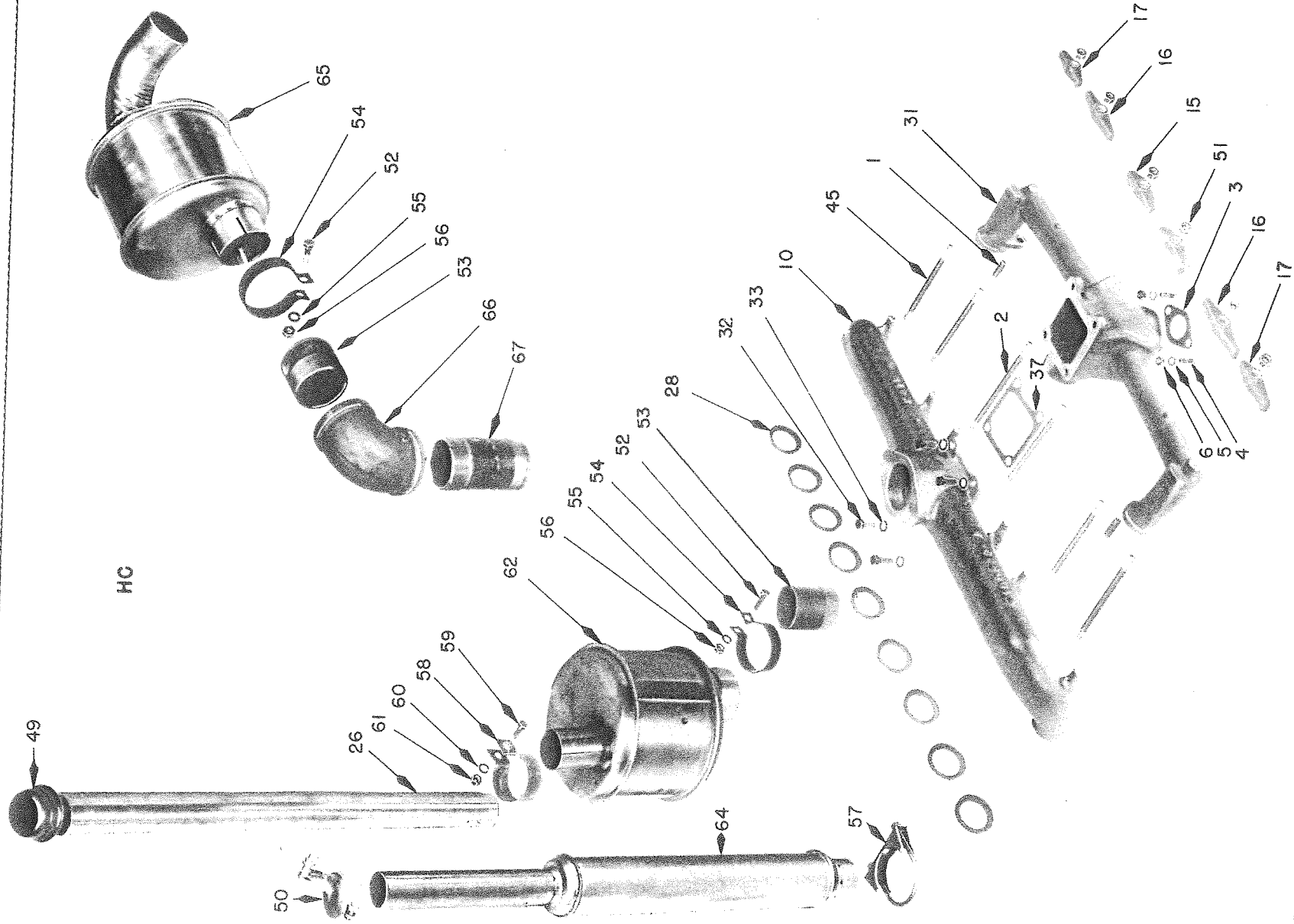
CARBURETOR (ZENITH)

Ref. No.	Part Number	Description	No. Req.	Row Crop Serial Number	Standard Serial Number	Industrial Serial Number	
	IKAS-393-B	CARBURETOR (Zenith 11580) - HC (Optional with IKS-393-B)	1	6503-	6503-	6503-	
Ref. No.	Part Number	Zenith Part Number	Description				No. Req.
1	1B-396		GASKET, Carburetor to Manifold				1
	1K-398		STUD, Carburetor to Manifold (5/16 x 1-1/8) 920082 Lock Washer, 5/16 915001 Nut, 5/16 - 24 Hex				2 2 2
2	1K-7600-B	ER3-116	BOWL, Fuel (Order IKS-7600-C)				1
	1KS-7600-C	B3-116	BOWL Assembly, Fuel				1
	1K-7601-A	BR2-200C	BODY, Throttle (Order IKS-7601-A)				1
	1KS-7601-A	A2-200C-1	BODY Assembly, Throttle				1
3	1KSA-7601-A	B12-11580	BODY And Bowl Cover Assembly, Throttle				1
	1B-7602-A	CT63-9	PIN, Throttle Lever Taper				1
4	1B-7603	T56-4	WASHER, Discharge Jet				1
5	1K-7603-A	T56-33	WASHER, Main Jet Adjustment Fibre				1
6	1B-7604	T56-24	WASHER, Main Jet Fibre				1
7	1B-7608-B	CT57-4	PACKING, Air Shutter Shaft				1
8	1K-7608-A	CT48-9	WASHER, Throttle Shaft Packing				1
9	1B-7609	C-112-6	SPRING, Air Shutter				1
10	1K-7610	T315B5-3	SCREW And Washer Assembly, Throttle Plate And Air Shutter Retaining				4
11	1K-7613	C71-33	ADJUSTMENT, Main Jet				1
12	1K-7616	B38-71-19	VENTURI, Main - No. 19				1
13	1K-7617	C55-22-12	JET, Idling - No. 12				1
14	1KS-7618	C81-1-40	VALVE And Seat Assembly, Fuel - No. 40				1
15	1K-7620	C52-7-27	JET, Main - No. 27				1
16	1KS-7621	CR27-257	LEVER And Stop Assembly, Throttle (Order IKS-7627)				1
17	1K-7621-A	C142-65	GASKET, Bowl to Body				1
18	1KS-7622	C101-68	SHUTTER Assembly, Air				1
19	1K-7623	C140-58	SCREW, Air Shutter Bracket Assembly				2
20		T41-8	920078 Lock Washer, No. 8				2
21	1K-7625	CR109-60	BRACKET, Air Shutter (Order IKS-7625)				1
	1KAS-7625	C109-65	BRACKET Assembly, Air Shutter				1
22	1B-7626-B	C131-4X2	RETAINER, Air Shutter Shaft Packing				1
23	1K-7626	CT52-53	RETAINER, Throttle Shaft Packing				1
24	1K-7627	C23-561	SHAFT, Throttle (Order IKS-7627)				1
25	1KS-7627	C29-1101	SHAFT And Lever Assembly, Throttle				1
26	1KAS-7628	C108-229	SHAFT And Lever Assembly, Air Shutter				1
27	1K-7630	C85-115	FLOAT And Hinge Assembly				1

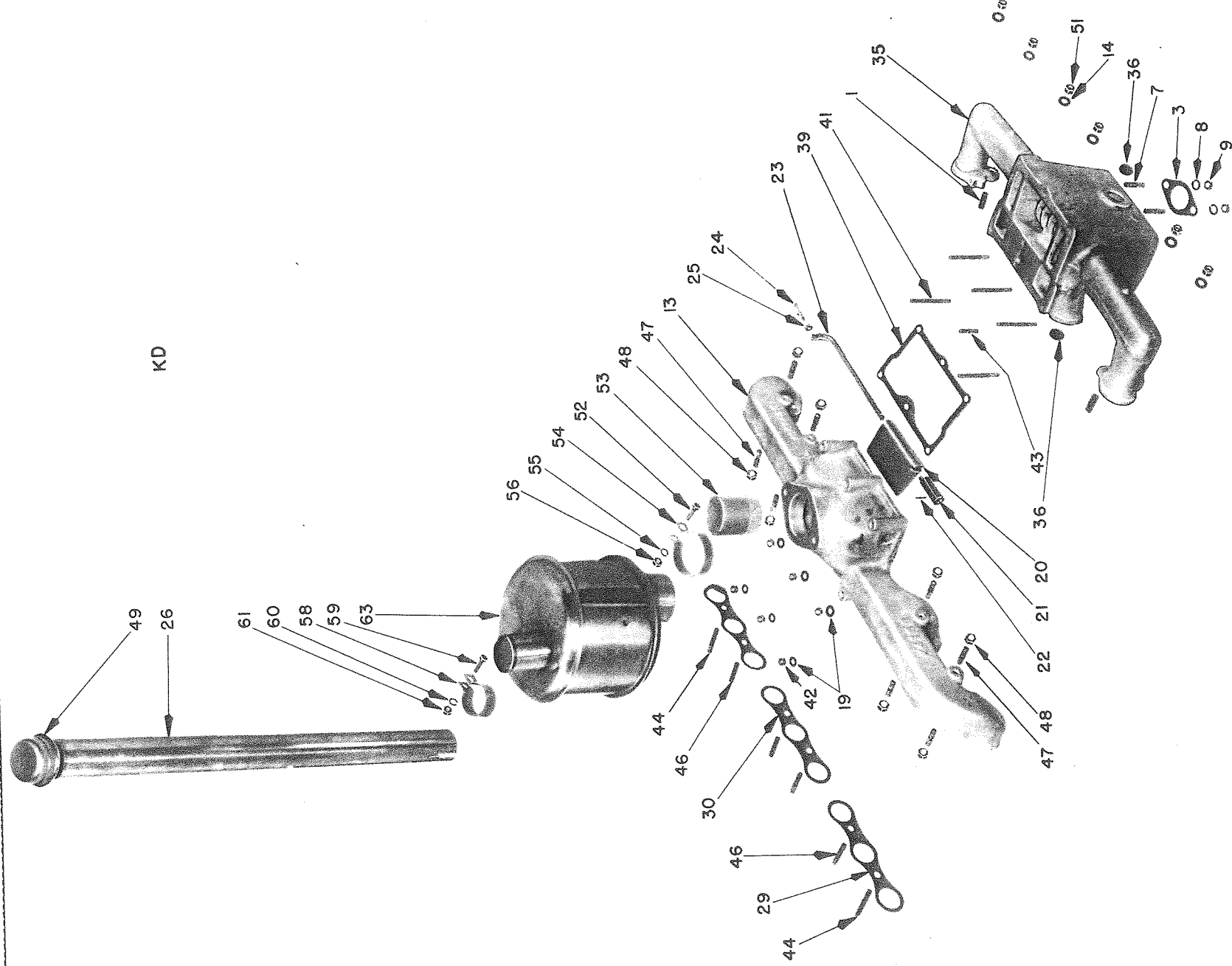
CARBURETOR (ZENITH)

Ref. No.	Part Number	Zenith Part Number	Description	No. Req.
28	1B-7631-A	C46-25	SCREW, Idle Adjusting	1
29	1B-7632-A	T56-23	WASHER, Fuel Valve Seat Fibre	1
30	1B-7636-A	T188-10	SCREW, Throttle Lever Stop	1
31	1K-7636-B	T888-8	SCREW, Air Shutter Bracket Clamp	1
32	1B-7637-A	C111-9	SPRING, Idle Adjusting Screw	1
33	1B-7638-A	C120-4	AXLE, Float	1
34	1B-7639-B	CR-37-1X1	PLUG, Shutter And Throttle Shaft Hole	2
35	1K-7640	C21-185	PLATE, Throttle	1
	1B-7641	T73-9	SCREW, Float Bracket Drive	2
	1K-7641-A	T73-8	SCREW, Name Plate Drive	1
36	1K-7643	T311S12-10	SCREW And Washer Assembly, Bowl To Body	4
37	1K-7646	T888-6	SCREW, Air Shutter Lever Swivel	1
38	1B-7648	T21S-8	NUT, Bracket Clamp Screw	1
39	1K-7649	C66-102-55	JET, Main Discharge - No. 55	1
40	1K-7651	C110-7	CLAMP, Air Shutter Bracket	1
	1KS-7655-A	C181-325	GASKET Package	1
41	1K-7658	C77-18-25	VENT, Well - No. 25	1
	1K-7660	C67-33-24	BUSHING, Idle Air Bleed - No. 24	1
	1B-7661	CR121-8	PIN, Throttle Lever Stop	1
42	1B-7662	CT91-3	PLUG, Drain	1
	1B-7663	CR88-1	BRACKET, Float Hinge	1
43	1K-7666	C135-29	DISC, Drain Filter	1
	1KSR-7670-C	K-11580	REPAIR KIT	1

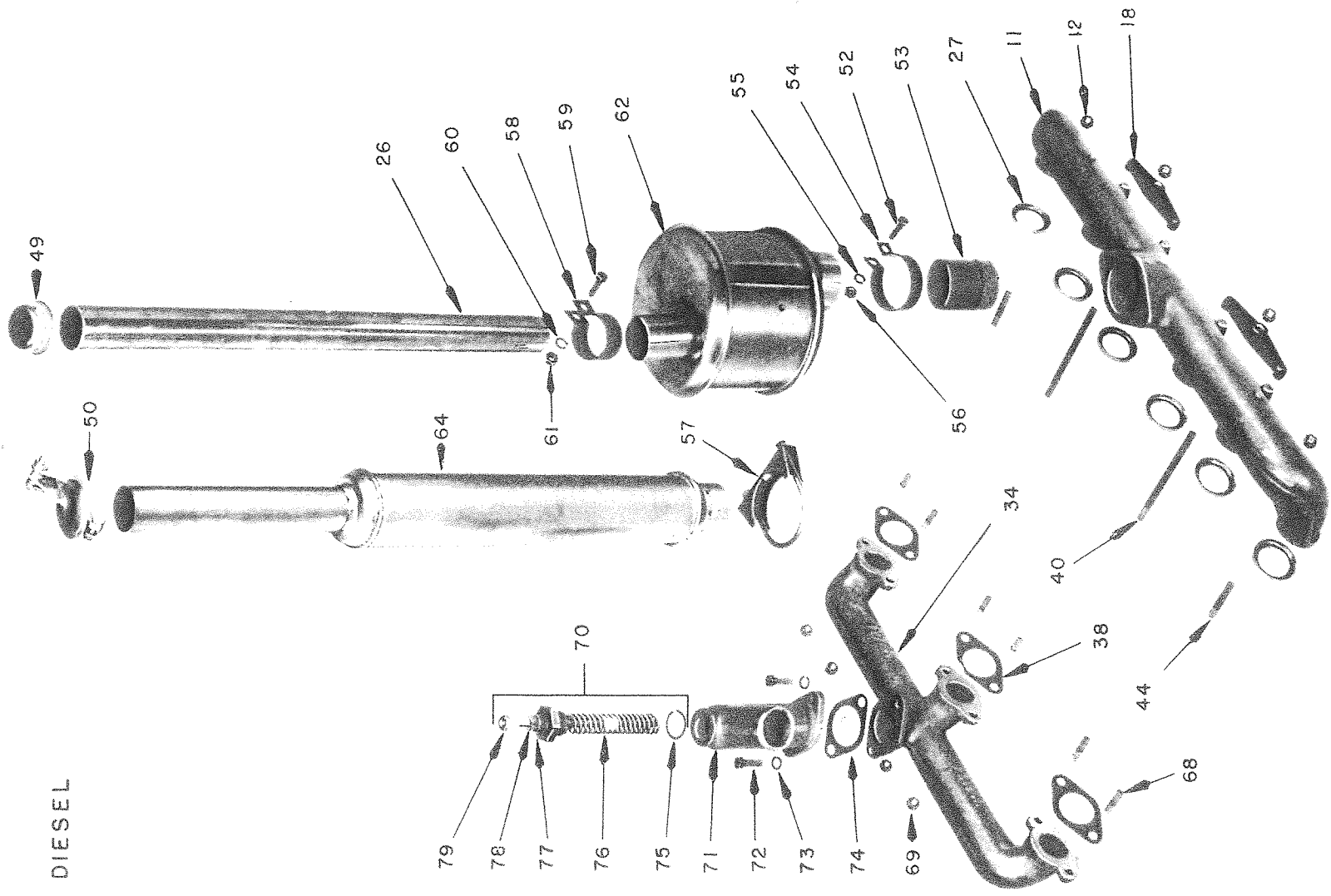
MANIFOLD



MANIFOLD



MANIFOLD



MANIFOLD

Ref. No.	Part Number	Description	No. Req.	Flow Crop Serial Number	Standard Serial Number	Industrial Serial Number
1	1H-134	DOWEL PIN, Manifold to Cylinder Head - HC & KD	2	320001-	269001-	403001-
2	1K-193	STUD, Manifold Center Clamp - HC (3/8 - 24 x 5-11/16)	2	320001-	269001-	403001-
3	1B-396	GASKET, Carburetor - HC & KD	1	320001-	269001-	403001-
4	1K-398	STUD, Carburetor (5/16 x 1-1/8) - HC	2	320001-	269001-	403001-
5		920082 Lock Washer, 5/16	2			
6		915001 Nut, 5/16 - 24 Hex	2			
7	1M-398	STUD, Carburetor (5/16 x 1) - KD	2	320001-	269001-	
8		920123 Lock Washer, 5/16 Shakeproof	2			
9		915084 Nut, 5/16 - 24 Hex Jam	2			
10	1M-415	MANIFOLD, Exhaust - HC	1	320001-	269001-	403001-
	1MSA-415	MANIFOLD Assembly, Intake and Exhaust - HC	1	320001-6502	269001-6502	403001-6502
	1MSA-415-A	MANIFOLD Assembly, Intake and Exhaust - HC	1	6503-	6503-	6503-
11	1M-415-A	MANIFOLD, Exhaust - Diesel	1	320001-	269001-	403001-
12		918002 Nut, 3/8 - 24 Hex	4			
13	1M-415-B	MANIFOLD, Exhaust - KD (Order 1MSA-415-C)	1	320001-327900	269001-271065	
	1MSA-415-B	MANIFOLD Assembly, Intake and Exhaust - KD (Order 1MSA-415-C)	1	320001-327900	269001-271065	
13	1M-415-C	MANIFOLD, Exhaust - KD	1	327901-	271066-	
	1MSA-415-C	MANIFOLD Assembly, Intake and Exhaust - KD	1	327901-	271066-	
14	1H-416	WASHER, Manifold - KD (For 3/8" Stud)	4	320001-	269001-	
15	1K-416	CLAMP, Manifold - Center - HC (1.16201)	2	320001-	269001-	403001-
16	1K-416-A	CLAMP, Manifold - Intermediate - HC (1.16203)	2	320001-	269001-	403001-
17	1K-416-B	CLAMP, Manifold - Outside - HC (1.16296)	2	320001-	269001-	403001-
18	1K-416-C	CLAMP, Manifold - Diesel	2	320001-	269001-	403001-
19	1K-416-D	WASHER, Manifold - KD (For 5/16" Stud)	6	320001-327900	269001-271065	
19	1K-416-E	WASHER, Manifold - KD (For 3/8" Stud)	8	327901-	271066-	
20	1K-417	VALVE, Heat Control - KD	1	320001-	269001-	
21	1H-418	BUSHING, Heat Control Valve Shaft - KD	1	320001-	269001-	
22		932284 Groove-Pin, 1/8 x 3/4	1			
23	1K-419	SHAFT, Heat Control Valve - KD	1	320001-	269001-	
24		S-1172 Set Screw, 1/4 - 20 x 1-1/4	1			
25		S-825 Nut, 1/4 - 20 Brass Hex	1			
26	1K-421	PIPE, Muffler Exhaust (Used on Orchard only after Serial Number 6502)	1	320001-6502	269001-6502	403001-6502
27	1KA-422	GASKET, Manifold - Diesel	6	320001-	269001-	403001-
	1MS-422-B	GASKET Package, Manifold - Diesel	1	320001-	269001-	403001-
28	1MA-422	GASKET, Manifold - HC	9	320001-	269001-	403001-
	1MS-422	GASKET Package, Manifold - HC	1	320001-	269001-	403001-
29	1M-422-A	GASKET, End Manifold - KD	2	320001-	269001-	
30	1M-422-B	GASKET, Center Manifold - KD	1	320001-	269001-	
	1MS-422-A	GASKET Package, Manifold - KD	1	320001-	269001-	

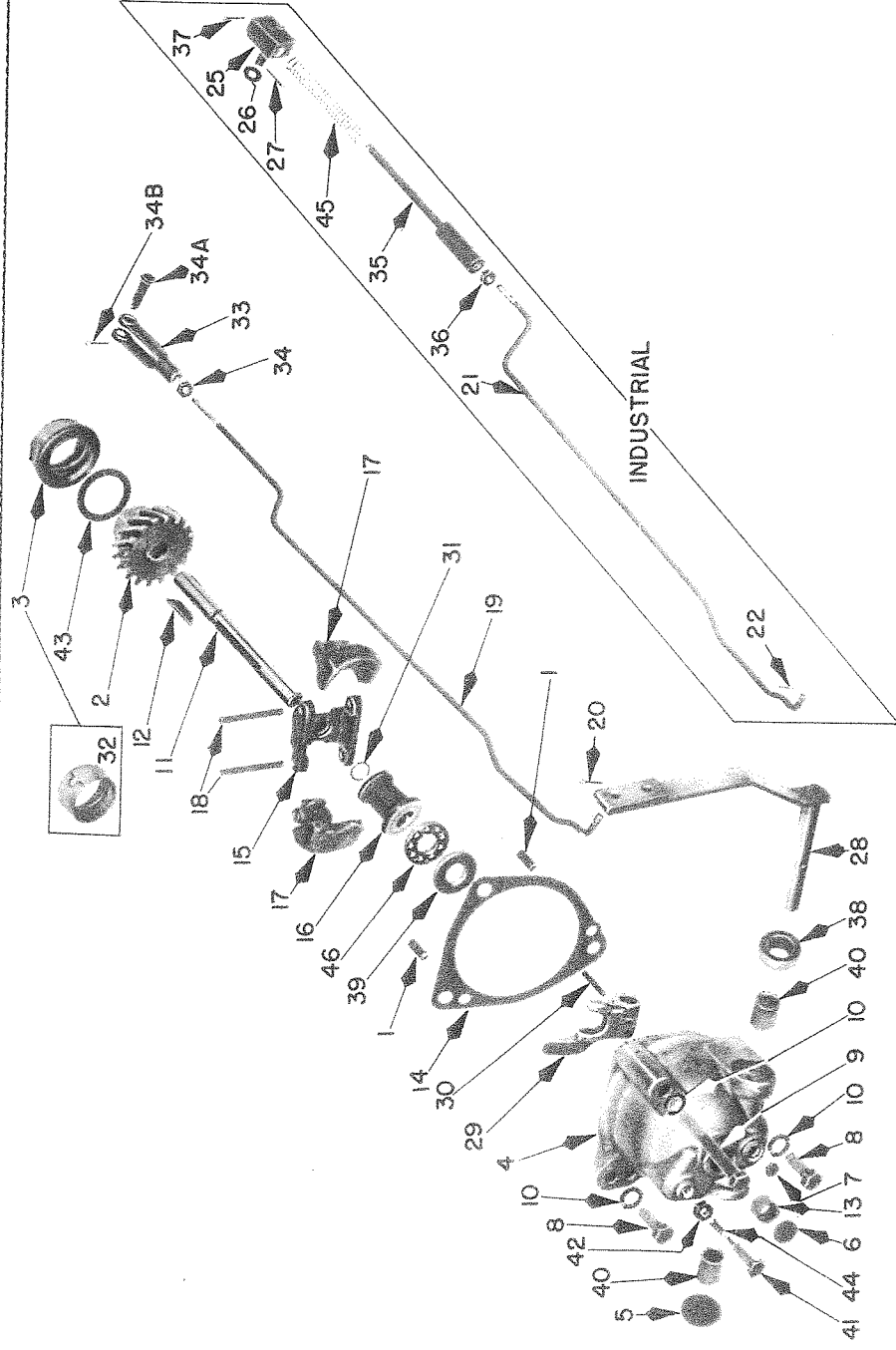
MANIFOLD

Ref. No.	Part Number	Description	No. Req.	Row Cup Serial Number	Standard Serial Number	Industrial Serial Number
31	1M-425	MANIFOLD, Intake - HC 908332 Cap Screw, 3/8 - 16 x 1 Hex Hd 920083 Lock Washer, 3/8 S-1921 Plug, 1/8 Pipe	1 4 4 1	320001-6502	269001-6502	403001-6502
31	1M-425-E	MANIFOLD, Intake - HC 908332 Cap Screw, 3/8 - 16 x 1 Hex Hd 920083 Lock Washer, 3/8 S-1921 Plug, 1/8 Pipe	1 4 4 1	6503-	6503-	6503-
34	1M-425-A	MANIFOLD, Intake - Diesel S-1921 Plug, 1/8 Pipe	1 1	320001-	269001-	403001-
35	1M-425-B	MANIFOLD Assembly, Intake - KD (Order 1M-425-C) S-2529 Plug, 1 Dia Welch Expansion	1 2	320001-327900	269001-271065	
35	1M-425-D	MANIFOLD Assembly, Intake - KD S-2529 Plug, 1 Dia Welch Expansion	1 2	327901-	271066-	
37	1K-426	GASKET, Intake and Exhaust Manifold - HC	1	320001-	269001-	403001-
38	1M-426-A	GASKET, Intake Manifold - Diesel	3	320001-	269001-	403001-
39	1M-426-B	GASKET, Intake and Exhaust Manifold - KD (Order 1M-426-C)	1	320001-327900	269001-271065	
39	1M-426-C	GASKET, Intake and Exhaust Manifold - KD	1	327901-	271066-	
40	1K-428-A	STUD, 3/8 x 5-1/8 - Diesel	2	320001-	269001-	
41	1K-428-B	STUD, 5/16 x 2-7/8 - KD	5	320001-327900	269001-271065	
42	42	S-890 Nut, 5/16 - 24 Hex Jam	5			
41	1K-428-D	STUD, 3/8 x 3-1/16 - KD	5	327901-	271066-	
43	42	S-893 Nut, 3/8 - 24 Hex	5			
42	42	STUD, 3/8 x 1-1/2 - KD	1	327901-	271066-	
43	42	S-893 Nut, 3/8 - 24 Hex	1			
43	1K-428-C	STUD, 5/16 x 1-5/16 - KD	1	320001-327900	269001-271065	
44	42	S-890 Nut, 5/16 - 24 Hex Jam	1			
44	1K-429	STUD, 3/8 x 2 - KD and Diesel	2	320001-	269001-	403001-
45	1K-429	STUD, 3/8 x 5-1/4 - HC	4	320001-	269001-	403001-
46	1K-429-B	STUD, 3/8 x 1-9/16 - KD	4	320001-	269001-	
47	1K-430	STUD, Air Heater Manifold (5/16 x 3/4) - KD S-890 Nut, 5/16 - 24 Hex Jam	8 8	320001-	269001-	
47	1K-431	CAP, Exhaust Pipe (Used on Orchard only after Serial Number 6502)	1	320001-6502	269001-6502	403001-6502
50	1KS-431-B	WEATHERCAP, Exhaust Pipe	1	6503-	6503-	6503-
51	1H-432	NUT, Manifold Stud - HC and KD	6	320001-	269001-	403001-
52	1K-442	SCREW, Muffler Clamp (Used on Orchard only after Serial Number 6502)	1	320001-6502	269001-6502	403001-6502
53	1K-445	ADAPTER, Muffler (Used on Orchard only after Serial Number 6502)	1	320001-6502	269001-6502	403001-6502
53	1M-445	ADAPTER, Muffler	1	6503-	6503-	6503-
54	1M-446	CLAMP, Muffler Manifold Pipe (Used on Orchard only after Serial Number 6502) 920082 Lock Washer, 5/16 915112 Nut, 5/16 - 18 Hex	1 1 1 1	320001-6502	269001-6502	403001-6502
55	55					
56	56					
57	1KS-446	CLAMP Assembly, Muffler	1	6503-	6503-	6503-

MANIFOLD

Ref. No.	Part Number	Description	No. Req.	Row Crop Sericl. Number	Standard Sericl. Number	Industrial Sericl. Number
58	1K-447	CLAMP, Muffler Exhaust Pipe	1	320001-6502	269001-6502	403001-6502
59		908317 Cap Screw, 5/16 - 18 x 1 Hex Hd	1			
60		920082 Lock Washer, 5/18	1			
61		915112 Nut, 5/16 - 18 Hex	1			
62	1K-452	MUFFLER - HC and Diesel	1	320001-6502	269001-6502	403001-6502
63	1L-452	MUFFLER - KD	1	320001-6502	269001-6502	
64	1K-452-B	MUFFLER	1	6503-	6503-	6503-
65	1MS-452	MUFFLER Assembly - Orchard	1			
66		S-1814 Elbow, 2 x 90° Mcll	1			
67		S-1811 Nipple, 2 x 4 WI - HC	1			
67		S-1810 Nipple, 2 x 2-1/2 WI - KD	1			
68	1KS-622	STUD (3/8 x 1-7/16) - Diesel	6	320001-	269001-	403001-
69		915002 Nut, 3/8 - 24 Hex	6			
70	1KAS-1750	PLUG Assembly, Manifold Heater - Diesel	1	320001-	269001-	403001-
71	1K-1751	ELBOW, Manifold Heater - Diesel	1	320001-	269001-	403001-
72		S-3071 Cap Screw, 3/8 - 16 x 1-1/8 Hex Hd	2			
73		920083 Lock Washer, 3/8	2			
74	1K-1757	GASKET, Manifold Heater Elbow - Diesel	1	320001-	269001-	403001-
75	1K-1758	GASKET, Manifold Heater Plug - Diesel	1	320001-	269001-	403001-
76	1KS-1764	COIL Ass embly, Manifold Heater Plug - Diesel (Order 1KAS-1750)	1	320001-	269001-	403001-
77	1K-1765	INSULATOR, Manifold Heater Plug Washer - Diesel	1	320001-	269001-	403001-
78	1K-1768	WASHER, Manifold Heater Plug Metal - Diesel	1	320001-	269001-	403001-
79		S-887 Nut, 5/16 - 24 Reg Brass	2			

GOVERNOR

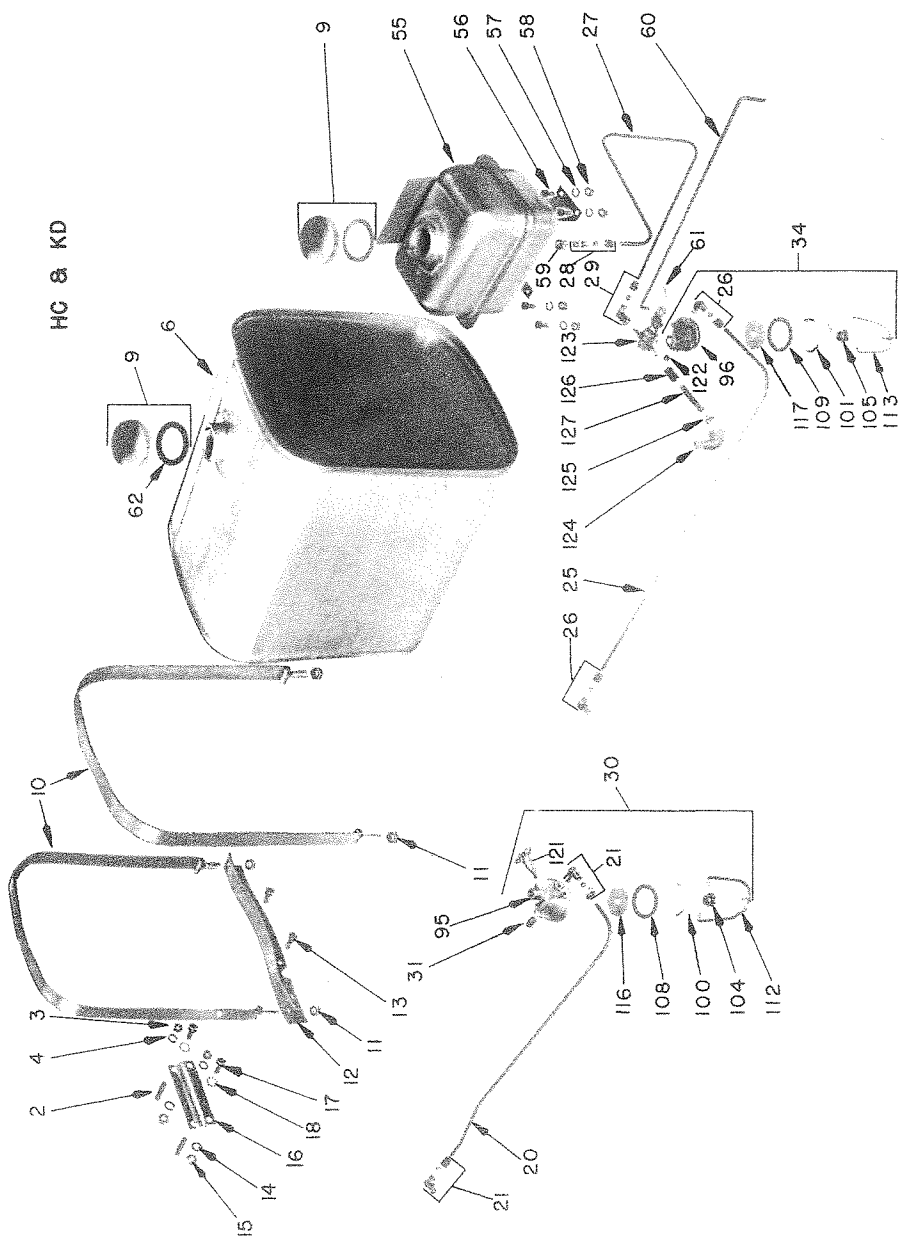


Ref. No.	Part Number	Description	No. Req.	Row Crop Serial Number	Standard Serial Number	Industrial Serial Number
1	1K-164	DOWEL PIN, Governor Housing	2	3 20001-	269001-	403001-
10	1K-235	WASHER, Copper	3	320001-*	269001-	403001-
2	1KA-241	GEAR, Governor - 16 Teeth	1	320001-	269001-	403001-
	1K-242	SLEEVE, Govern or Gear Bushing (Order 1KSR-242)	1	320001-	269001-	403001-
3	1KSR-242	SLEEVE (1K-242) With Bushing (1HR-272), Governor Gear	1	320001-	269001-	403001-
4	1K-250	HOUSING, Governor (Order 1KS-250)	1	320001-	269001-	403001-
5	1KS-250	HOUSING With Bushing, Governor	1	320001-	269001-	403001-
6		S-2532 Plug, 1 Dia Expansion	1			
7		S-2531 Plug, 5/8 Dia Expansion	1			
	1KSB-250	HOUSING (1KS-250) With Operating Lever (1KS-266), Governor	1	320001-	269001-	403001-
8	1KSB-250-A	GOVERNOR Assembly, Complete	1	320001-	269001-	403001-
9		908315 Cap Screw, 5/16 - 18 x 3/4 Hex Hd	2			
10		908322 Cap Screw, 5/16 - 18 x 2-1/4 Hex Hd	1			
		920082 Lock Washer, 5/16 (Order 1K-235)	3			
11	1K-251	SHAFT, Governor	1	320001-	269001-	403001-
12		S-2983 Key, Morton Hi-Pro	1			
	1KSA-251-A	SHAFT Assembly, Governor	1	320001-	269001-	403001-

GOVERNOR

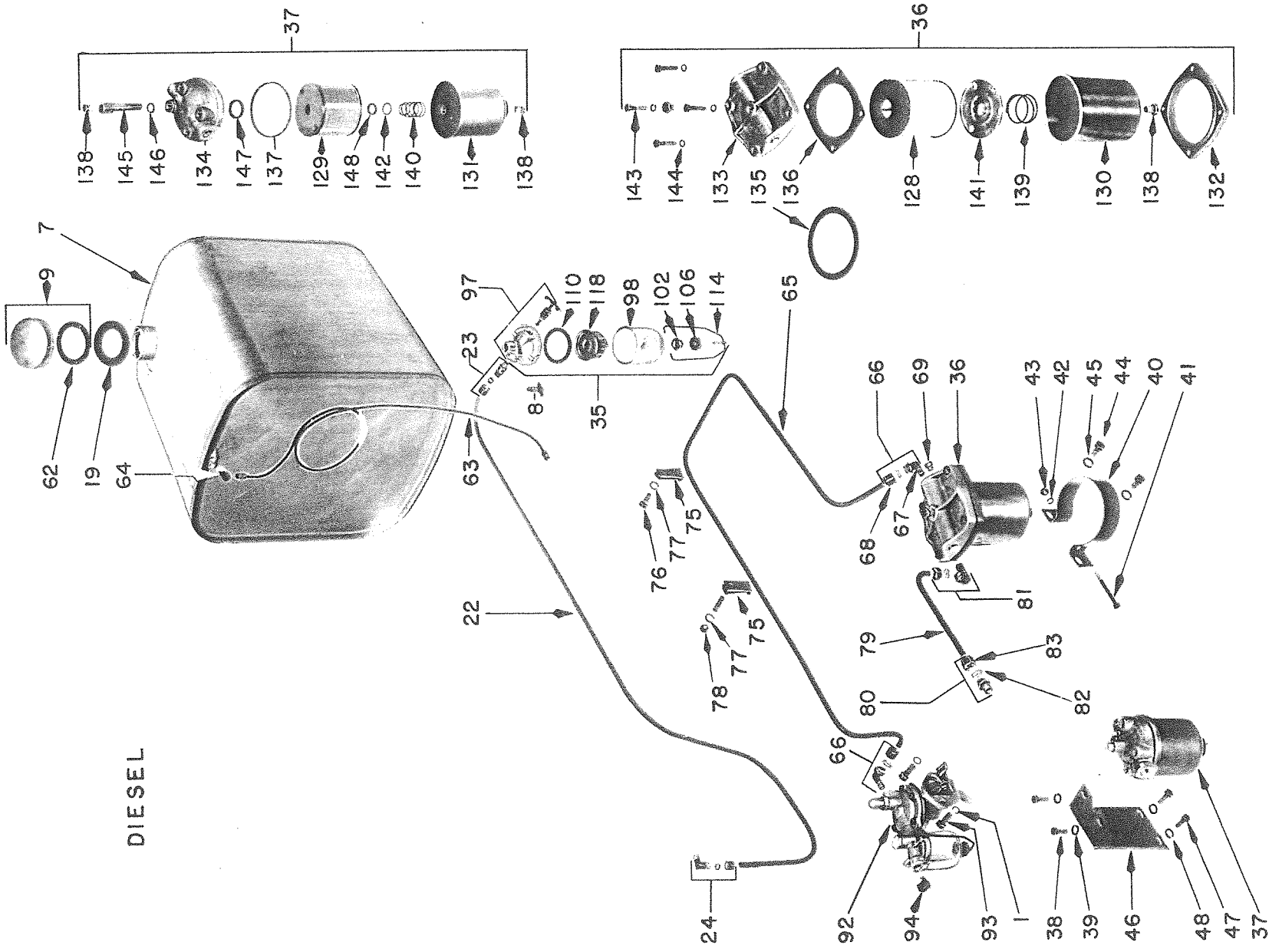
Ref. No.	Part Number	Description	No. Req.	Row Crop Serial Number	Standard Serial Number	Industrial Serial Number
13	1K-252	BUSHING, Governor Shaft	1	320001-	269001-	403001-
14	1K-254	GASKET, Governor Housing	1	320001-	269001-	403001-
15	1K-260	CARRIER, Governor Weight	1	320001-	269001-	403001-
16	1KS-260	WEIGHTS And Carrier Assembly, Governor	1	320001-	269001-	403001-
	1K-261-B	SPOOL, Governor Thrust (Order 1KS-261-B)	1	320001-	269001-	403001-
	1KS-261-B	SP OOL, Bearing and Washer, Governor Thrust	1	320001-	269001-	403001-
17	1K-262	WEIGHT, Governor (Order in pairs only)	2	320001-	269001-	403001-
18	1B-263-B	PIN, Governor Weight	2	320001-	269001-	403001-
19	1M-264	ROD, Governor to Carburetor 932000 Cotter Pin, 1/16 x 1/2	1	320001-347903	269001-273375	403001-403290
20	1M-264-B	ROD, Governor to Carburetor 932000 Cotter Pin, 1/16 x 1/2	1	347904-	273376-	403291-
19	1M-264-A	ROD, Governor to Carburetor 932000 Cotter Pin, 1/16 x 1/2	1	320001-	269001-	403001-403290
21		ROD, Governor to Carburetor 932000 Cotter Pin, 1/16 x 1/2	1	320001-	269001-	403001-
22		PIN Assembly, Carburetor Lever 920007 Washer, 1/4 Plain 932000 Cotter Pin, 1/16 x 1/2	1	320001-	269001-	403001-
25	1KS-265	LEVER With Fork, Governor Operating	1	320001-	269001-	403001-
26	1KS-266	FORK, Governor (Order 1KS-266)	1	320001-	269001-	403001-
27	1B-267-A	932292 Groove-Pin, 5/32 x 3/4	1	320001-	269001-	403001-
28	1K-270	SNAP RING, Governor Shaft	1	320001-	269001-	403001-
29	1HR-272	BUSHING, Governor	1	320001-	269001-	403001-
33	1C-273	END, Governor Rod - Diesel 915000 Nut, 1/4 - 28 Hex	1	320001-	269001-	403001-
34		END, Governor Rod 915667 Nut, No. 10 - 32 Hex 932120 Pin, 1/4 Governor Rod End 932000 Cotter Pin, 1/16 x 1/2	1	320001-347903	269001-273375	403001-403290
33	1H-273	END, Governor Rod 915667 Nut, No. 10 - 32 Hex 932000 Cotter Pin, 1/16 x 1/2	1	347904-	273376-	403291-
34	1MS-273	END, Governor Rod 915667 Nut, No. 10 - 32 Hex 932000 Cotter Pin, 1/16 x 1/2	1	320001-	269001-	403001-403290
35	1K-273	END, Governor to Carburetor Rod 915667 Nut, No. 10 - 32 Hex 932000 Cotter Pin, 1/16 x 1/2	1	320001-	269001-	403001-
36		OIL SEAL, Governor Lever Shaft	1	320001-	269001-	403001-
37	1H-275	WASHER, Governor Thrust (Order 1KS-261-B)	1	320001-	269001-	403001-
38	1K-276-B	BUSHING, Governor Operating Lever	2	320001-	269001-	403001-
39	1BR-283-A	SCREW, Bumper Spring Adjusting 915000 Nut, 1/4 - 28 Hex	1	320001-	269001-	403001-
40	1B-286-A	WASHER, Governor Gear Thrust	1	320001-	269001-	403001-
41	1K-289	SPRING, Governor Bumper	1	320001-	269001-	403001-
42	1B-291-A	SPRING, Governor to Carburetor Rod	1	320001-	269001-	403001-403290
43	1K-291	BEARING, Governor Thrust (Order 1KS-261-B)	1	320001-	269001-	403001-
44	1KS-5001-B		1	320001-	269001-	403001-

FUEL TANK, TUBING AND CONNECTIONS

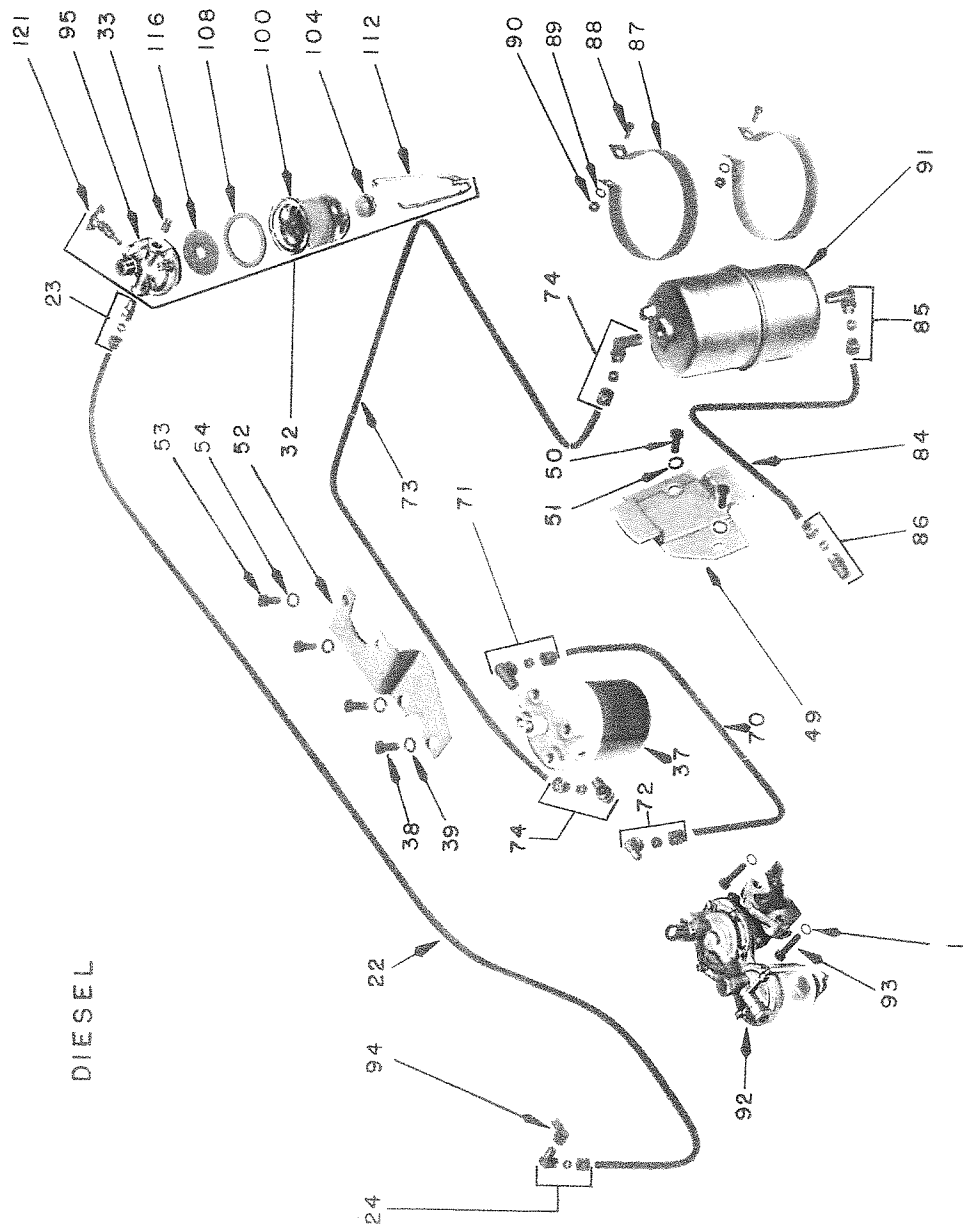


Ref. No.	Part Number	Description	No. Req.	Row Crop Serial Number	Standard Serial Number	Inchstud Serial Number
1	1K-235	WASHER, Fuel Supply Pump Copper	2	320001-	269001-	403001-
2	1M-398-A	STUD, Fuel Tank Front Support Adapter (3/8 x 7/8)	2	6503-	6503-	6503-
3		915002 Nut, 3/8 - 24 Hex	2			
4		920083 Lock Washer, 3/8	2			
5	1K-477	GASKET, Fuel Supply Pump Mounting - Diesel	1	320001-	269001-	403001-
6	1MS-822	TANK, Fuel - HC and KD	1	320001-	269001-	403001-
7	1MS-822-A	TANK, Fuel - Diesel	1	320001-	269001-	403001-
8		S-1991 Drain Cock, 1/8 PT Key Type Brass	1			
9	1B-824	CAP And Gasket, Fuel Tank Filler (2 used on KD)	1	320001-	269001-	403001-
10	1MS-826	STRAP With Ends, Fuel Tank	2	320001-327900	269001-271240	403001-462050
11		915113 Nut, 3/8 - 16 Hex	4			
10	1MS-826-A	STRAP With Ends, Fuel Tank	2	327901-	271241-	462051-
11		915113 Nut, 3/8 - 16 Hex	4			
12	1M-828	SUPPORT, Fuel Tank - Front	1	320001-	269001-	403001-
13		908330 Cap Screw, 3/8 - 16 x 3/4 Hex Hd	2			
14		920083 Lock Washer, 3/8	2			
15		915113 Nut, 3/8 - 16 Hex	2			

FUEL TANK, TUBING AND CONNECTIONS

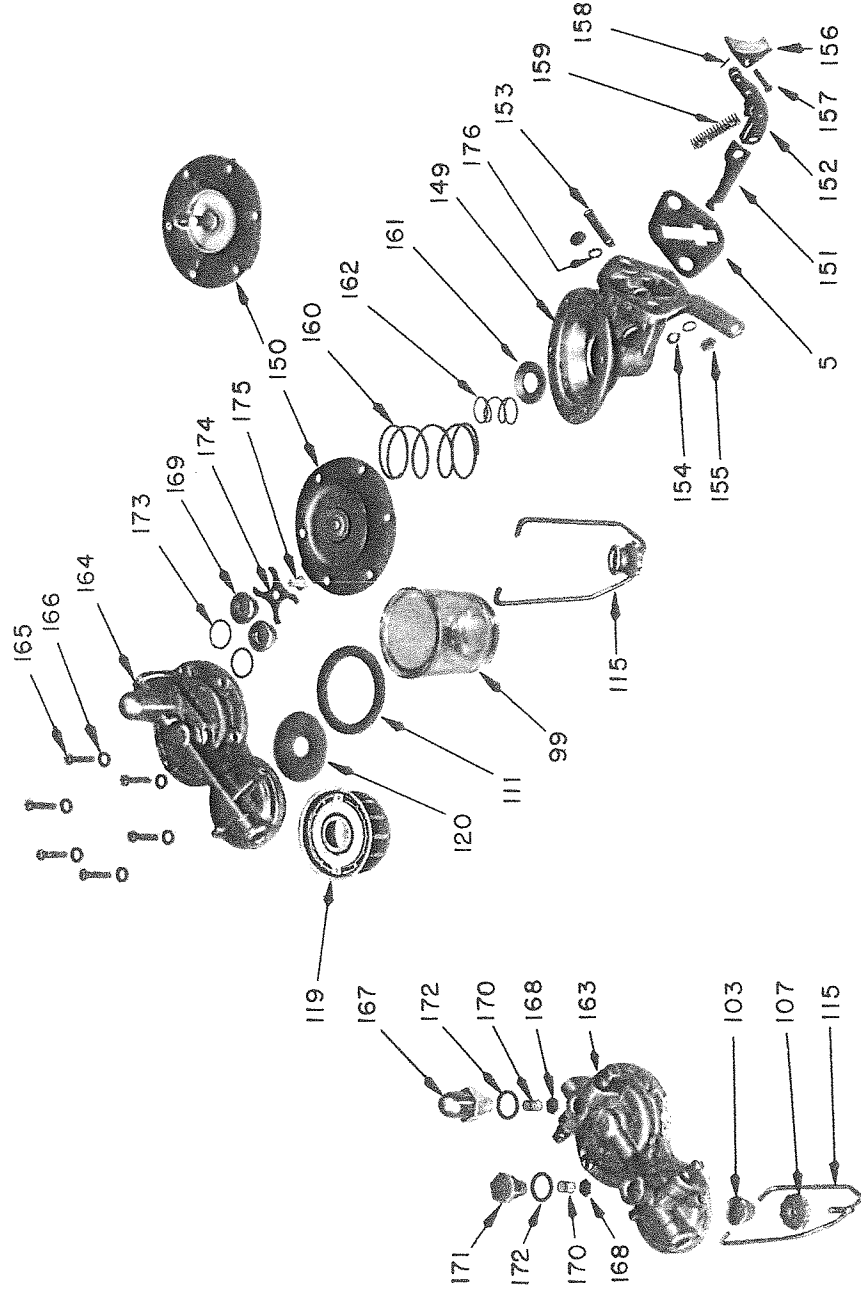


FUEL TANK, TUBING AND CONNECTIONS



Ref. No.	Part Number	Description	No. Req.	Row Crop Serial Number	Standard Serial Number	Industrial Serial Number
16	1M-830	ADAPTER, Front Fuel Tank Support	1	320001-	269001-	403001-
17	908330	Cap Screw, 3/8 - 16 x 3/4 Hex Hd	2			
18	920124	Lock Washer, 3/8 Shtk-proof (Hardware replaced by Stud 1M-398-A with nut and lock washer beginning with serial Number 6503)	2			
19	1K-835	FELT, Fuel Tank Filler Neck - Diesel	1	320001-	269001-	403001-
20	1M-839	TUBE, Fuel Supply - HC	1	320001-	269001-	403001-
21		SS-2632 Elbow, 1/4 Tube x 1/8 PT Male	2			
22	1M-839-A	TUBE, Fuel Supply - Diesel	1	320001-	269001-	403001-
23		SS-1985 Connector, 5/16 Tube x 1/8 PT Male	1			
24		SS-1984 Elbow, 5/16 Tube x 1/8 PT Male	1			
25	1K-839-B	TUBE, Fuel Strainer to Carburetor - KD	1	320001-	269001-	403001-
26		SS-2632 Elbow, 1/4 Tube x 1/8 Male	2			
27	1K-840	TUBE, Auxiliary Tank to Valve - KD	1	320001-332450	269001-271700	
28		SS-1746 Connector, 1/4 Tube x 1/8 PT Male	1			
29		SS-1990 Elbow, 1/4 Tube x 1/8 PT Female	1			

FUEL TANK, TUBING AND CONNECTIONS



Ref. No.	Part Number	Description	No. Req.	Row Crop Serial Number	Standard Serial Number	Industrial Serial Number
27	1M-840	TUBE, Auxiliary Tank to Valve - KD	1	332451-	271701-	
28		SS-1748 Connector, 1/4 Tube x 1/8 PT Male	1			
29		SS-1990 Elbow, 1/4 Tube x 1/8 PT Female	1			
30	IHS-841	STRAINER, Fuel - HC	1	320001-	269001-	403001-
31		S-1908 Plug, 1/8 Std Pipe	1			
32	IHS-841	STRAINER, Fuel - Diesel	1	6503-	6503-	6503-
33		S-1908 Plug, 1/8 Std Pipe	1			
34	IHS-841-A	STRAINER, Fuel - KD	1	320001-	269001-	
35	1KS-841-A	STRAINER, Fuel - Diesel	1	320001-6502	269001-6502	403001-6502
36	1KS-841	FILTER, Fuel - Diesel (From 6554) (Up to Engine Serial Number 868200 Inclusive) (Order 1LS-841, 1K-842-A, 4 908330 and 2 920083)	1			
37	1LS-841	FILTER, Fuel - Diesel (From 7775) (Engine Serial Number 868201-) 908330 Cap Screw, 3/8 - 16 x 3/4 Hex Hd 920083 Lock Washer, 3/8	1			
38			2			
39			2			
40	1K-842	STRAP, Fuel Filter - Diesel (Up to Engine Serial Number 868200 Inclusive)	1			
41		908458 Cap Screw, 1/4 - 28 x 2-1/2 Hex Hd	1			
42		920081 Lock Washer, 1/4	1			
43		915000 Nut, 1/4 - 28 Hex	1			
44		908329 Cap Screw, 3/8 - 16 x 5/8 Hex Hd	2			
45		920083 Lock Washer, 3/8	2			

FUEL TANK, TUBING AND CONNECTIONS

Ref. No.	Part Number	Description	No. Req.	Row Crop Serial Number	Standard Serial Number	Industrial Serial Number
46	IK-842-A	BRACKET, Fuel Filter - Diesel (Engine Serial Number 868201-) 908330 Cap Screw, 3/8 - 16 x 3/4 Hex Hd 920083 Lock Washer, 3/8	1 2 2			
49	IKS-842-D	BRACKET Assembly, Final Fuel Filter - Diesel 908329 Cap Screw, 3/8 - 16 x 5/8 Hex Hd 920083 Lock Washer, 3/8	1 2 2	6503-	6503-	6503-
52	IK-842-E	BRACKET, Primary Fuel Filter - Diesel 908330 Cap Screw, 3/8 - 16 x 3/4 Hex Hd 920083 Lock Washer, 3/8	1 2 2	6503-	6503-	6503-
55	IMS-843	TANK, Auxiliary Fuel - KD 908314 Cap Screw, 5/16 - 18 x 5/8 Hex Hd 920082 Lock Washer, 5/16 915112 Nut, 5/16 - 18 Hex S-1899 Bushing, 3/8 x 1/8 PT Reducing Face	1 4 4 4 1	320001-	269001-	
60	IK-1096	ROD, Fuel Selection - KD 932007 Cotter Pin, 3/32 x 1/2	1 1	320001-	269001-	
62	IE-1099	GASKET, Fuel Tank Filler Cap (2 used on KD)	1	320001-	269001-	403001-
63	IMS-1711	LINE Assembly, Fuel Nozzle DHP - Diesel S-2680 Elbow, 3/16 Tube x 1/8 PT Inverted Male	1 1	320001-	269001-	403001-
65	IM-1716	FUEL LINE, Supply Pump to Fuel Filter - Diesel (Order IMS-1716) (Up to Engine Serial Number 868200 Inclusive) SS-1995 Elbow, 5/16 Tube x 1/2 PT Imped'd Brass S-1936 Rubber Sleeve for 5/16 OD Tube S-1937 Nut for 5/16 OD Tube	1 2 2 2			
66	IMS-1716	FUEL LINE With Elbows (SS-1995), Supply Pump To Fuel Filter - Diesel (Up to Engine Serial Number 868200 Inclusive) S-1728 Bushing, 1/4 x 1/8 Reducing	1			
65	IM-1716-A	FUEL LINE, Pump to Fuel Filter - Diesel (Order IMS-1716-A) (Engine Serial Number 868201-) SS-1995 Elbow, 5/16 Tube x 1/8 PT S-1936 Rubber Sleeve for 5/16 OD Tube S-1937 Nut for 5/16 OD Tube	1 2 2 2			
69	IMS-1716-A	FUEL LINE (IM-1716-A) With Fittings (SS-1995), Pump To Fuel Filter - Diesel (Engine Serial Number 868201-) S-1728 Bushing, 1/4 x 1/8 Reducing	1 1			
70	IM-1716-F	FUEL LINE, Supply Pump To Primary Filter - Diesel (Order IMS-1716-F) SS-1678 Elbow, 5/16 Tube x 1/4 PT SS-1995 Elbow, 5/16 Tube x 1/8 PT	1 1 1	6503-	6503-	6503-
71	IMS-1716-F	FUEL LINE (IM-1716-F) With Fittings (SS-1678 & SS-1995), Supply Pump To Primary Filter - Diesel	1			
74	IM-1716-G	FUEL LINE, Primary to Final Filter - Diesel (Order IMS-1716-G) SS-1678 Elbow, 5/16 Tube x 1/4 PT	1 2	6503- 6503-	6503- 6503-	6503- 6503-
75	IMS-1716-G	FUEL LINE (IM-1716-G) With Fittings (SS-1678), Primary To Final Filter - Diesel	1			
76	IK-1717	CLIP, Supply Pump To Fuel Filter Fuel Line - Diesel 908288 Cap Screw, 1/4 - 20 x 3/8 Hex Hd 920081 Lock Washer, 1/4 915000 Nut, 1/4 - 28 Hex (Later tractors discarded the Stud and added another Cap Screw)	2 1 2 1	320001-	269001-	403001-

FUEL TANK, TUBING AND CONNECTIONS

Ref. No.	Part Number	Description	No. Req.	Row Crop Serial Number	Standard Serial Number	Industrial Serial Number
79	1M-1720	FUEL LINE, Filter To Injection Pump - Diesel (Order 1MS-1720)	1	32 000 1-6502	26 900 1-6502	403001-6502
80		SS-1994 Connector, 3/8 x 1/4 PT	1			
81		SS-1999 Elbow, 3/8 x 1/4 PT	1			
82		S-1938 Rubber Sleeve for 3/8 OD Tube	2			
83		S-1939 Nut for 3/8 OD Tube	2			
	1MS-1720	FUEL LINE And Connections, Filter To Injection Pump - Diesel	1	320001-6502	269001-6502	403001-6502
84	1M-1720-C	FUEL LINE, Final Filter To Injection Pump - Diesel (Order 1MS-1720-C)	1	6503-	6503-	6503-
85		SS-1678 Elbow, 5/16 Tube x 1/4 PT	1			
86		SS-1682 Connector, 5/16 Tube x 1/4 Pt	1			
	1MS-1720-C	FUEL LINE (1M-1720-C) With Fittings (SS-1678 and SS-1682), Final Filter To Injection Pump - Diesel	1	6503-	6503-	6503-
	1K-1724	BALL, Lead - Diesel (With 1KS-2460 and 1KAS-2460-A) (Discontinued when 1KAS-2460-A starts)	1	320001-	269001-	403001-
	1MSR-1728-A	FILTER Package, Field Change-Over Sealed - Diesel	1	120001-6502	269001-6502	403001-6502
87	1L-1729	CLAMP, Final Fuel Filter - Diesel	2	6503-	6503-	6503-
88		S-2597 Screw, 1/4 - 20 x 5/8 Fill Hd March	2			
89		920081 Lock Washer, 1/4	2			
90		915147 Nut, 1/4 - 20 Hex	2			
91	92706	FILTER, Sealed Final Fuel - Diesel	1	6503-	6503-	6503-
92	1KS-2460	PUMP, Fuel Supply - Complete - Diesel (Order 1KS-2460-C)	1	32 000 1-	269001-	403001-
93		908314 Cap Screw, 5/16 - 18 x 5/8 Hex Hd	2			
		920082 Lock Washer, 5/16	2			
92	1KS-2460-A	PUMP, Fuel Supply - Complete - Diesel (Order 1KS-2460-C)	1	320001-	269001-	403001-
93		908314 Cap Screw, 5/16 - 18 x 5/8 Hex Hd	2			
		920082 Lock Washer, 5/16	2			
92	1KS-2460-B	PUMP, Fuel Supply - Complete - Diesel (Order 1KS-2460-C)	1	320001-	269001-	403001-
93		908314 Cap Screw, 5/16 - 18 x 5/8 Hex Hd	2			
		920082 Lock Washer, 5/16	2			
92	1KS-2460-C	PUMP, Fuel Supply - Complete - Diesel (Order 1KS-2460-C)	1	320001-	269001-	403001-
93		908314 Cap Screw, 5/16 - 18 x 5/8 Hex Hd	2			
94		S-2633 Elbow, 1/8 PT Street	1			
95	1H-5300	BODY, Fuel Strainer - HC	1	320001-	269001-	403001-
95	1H-5300	BODY, Fuel Strainer - Diesel	1	6503-	6503-	6503-
96	1H-5300-A	BODY, Fuel Strainer - KD	1	320001-	269001-	403001-
97	1KS-5300	BODY With Valve, Fuel Strainer - Diesel	1	320001-6502	269001-6502	403001-6502
98	1E-5301	BOWL And Gasket Package, Fuel Strainer Glass - Diesel	1	320001-6502	269001-6502	403001-6502
99	1E-5301	BOWL And Gasket Package, Fuel Supply Pump Glass - Diesel	1	320001-	269001-	403001-
100	1C-5301	BOWL, Fuel Strainer Glass - HC	1	320001-	269001-	403001-
100	1C-5301	BOWL, Fuel Strainer Glass - Diesel	1	6503-	6503-	6503-
101	1J-5301	BOWL, Fuel Strainer Glass - KD	1	320001-	269001-	403001-

FUEL TANK, TUBING AND CONNECTIONS

Ref. No.	Part Number	Description	No. Req.	Row Crop Ser. Id. Number	Standard Ser. Id. Number	Industrial Ser. Id. Number
102	1B-5302	CUP, Fuel Strainer - Diesel	1	320001-6502	269001-6502	403001-6502
103	1B-5302	CUP, Fuel Supply Pump Bowl - Diesel (With IKS-2460)	1	320001-	269001-	403001-
104	1CS-5302	CUP And Nut, Fuel Strainer - HC	1	320001-	269001-	403001-
104	1CS-5302	CUP And Nut, Fuel Strainer - Diesel	1	6503-	6503-	6503-
105	1JS-5302	CUP And Nut, Fuel Strainer - KD	1	320001-	269001-	403001-6502
106	1B-5303	NUT, Fuel Strainer Cup - Diesel	1	320001-6502	269001-6502	403001-6502
107	1B-5303	NUT, Fuel Supply Pump Cup - Diesel (With IKS-2460)	1	320001-	269001-	403001-
108	1C-5304	GASKET, Fuel Strainer Cork - HC	1	320001-	269001-	403001-
108	1C-5304	GASKET, Fuel Strainer Cork - Diesel	1	6503-	6503-	6503-
109	1J-5304	GASKET, Fuel Strainer Cork - KD	1	320001-	269001-	403001-6502
110	1K-5304	GASKET, Fuel Strainer Rubber - Diesel	1	320001-6502	269001-6502	403001-6502
111	1K-5304-A	GASKET, Fuel Supply Pump Bowl - Diesel	1	320001-	269001-	403001-
112	1BS-5305-A	BAIL, Fuel Strainer - HC	1	320001-	269001-	403001-
112	1BS-5305-A	BAIL, Fuel Strainer - Diesel	1	6503-	6503-	6503-
113	1JS-5305	BAIL, Fuel Strainer - KD	1	320001-	269001-	403001-
114	1BS-5305	BAIL Assembly, Fuel Strainer - Diesel	1	320001-6502	269001-6502	403001-6502
115	1KS-5305	BAIL Assembly, Fuel Supply Pump - Diesel	1	320001-	269001-	403001-
116	1BS-5307-A	SCREEN, Fuel Strainer - HC	1	320001-	269001-	403001-
116	1BS-5307-A	SCREEN, Fuel Strainer - Diesel	1	6503-	6503-	6503-
117	1J-5307	SCREEN, Fuel Strainer - KD	1	320001-	269001-	403001-6502
118	1KS-5307	SCREEN And Gasket Package, Fuel Strainer - Diesel	1	320001-6502	269001-6502	403001-6502
119	1KS-5307	SCREEN And Gasket Package, Fuel Strainer - Diesel	1	320001-	269001-	403001-
120	1K-5307-A	SCREEN, Fuel Supply Pump Strainer - Diesel	1	320001-	269001-	403001-
121	1HS-5309	VALVE, Fuel Strainer Needle - HC and Diesel	1	320001-	269001-	403001-
122	1H-5309-A	PLUG, Fuel Strainer Valve Hole - KD	1	320001-	269001-	403001-
123	1HSA-5325	VALVE, Three Way - KD	1	320001-	269001-	403001-
124	125	S-2623 Elbow, 3/8 Mall Street	1	320001-	269001-	403001-
125	126	S-1899 Bushing, 3/8 x 1/8 PT Reducing Face	1	320001-	269001-	403001-
126	127	S-1732 Coupling, 1/8 Pipe	1	320001-	269001-	403001-
127	127	S-1743 Nipple, 1/8 x 2 Pipe	1	320001-	269001-	403001-
128	1K-5351	CARTRIDGE, Filtering - Diesel	1	320001-	269001-	403001-
129	1LA-5351	CARTRIDGE, Filtering - Diesel	1	320001-	269001-	403001-
130	1K-5353	BODY, Fuel Filter - Diesel	1	320001-	269001-	403001-
131	1L-5353	BODY, Fuel Filter - Diesel	1	320001-	269001-	403001-
132	1K-5354	RING, Fuel Filter Clamp - Diesel	1	320001-	269001-	403001-
133	1K-5355	HEAD, Fuel Filter - Diesel	1	320001-	269001-	403001-
134	1L-5355	HEAD, Fuel Filter - Diesel	1	320001-	269001-	403001-
135	1K-5356	GASKET, Fuel Filter - Diesel	1	320001-	269001-	403001-
136	1K-5356-A	GASKET, Fuel Filter - Diesel	1	320001-	269001-	403001-

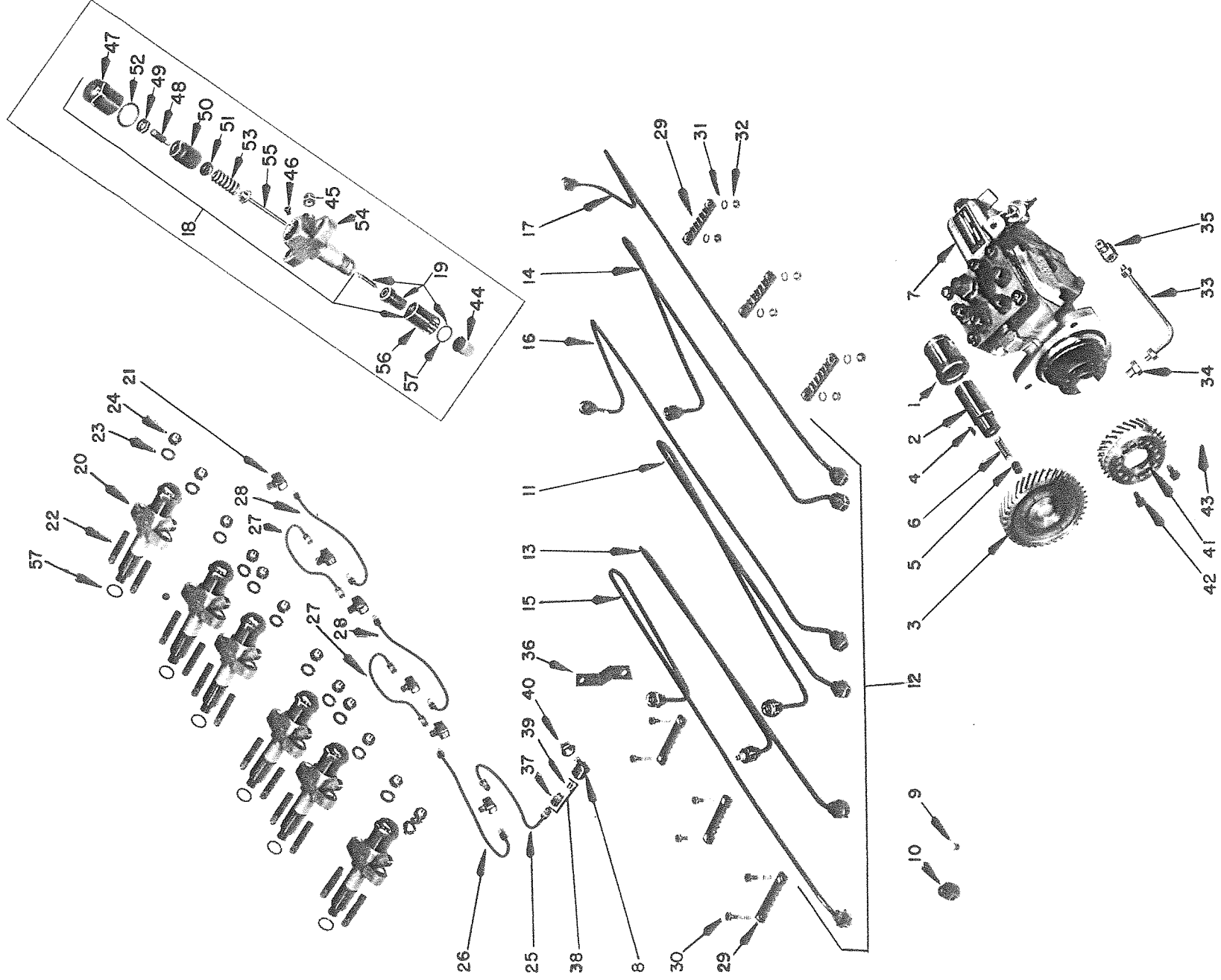
FUEL TANK, TUBING AND CONNECTIONS

Ref. No.	Part Number	Description	No. Req.	Row Crop Serial Number	Standard Serial Number	Industrial Serial Number
137	1L-5356	GASKET, Fuel Filter - Diesel	1			
138	1K-5357	PLUG, Fuel Filter - Diesel	2			
139	1K-5361	SPRING, Fuel Filter - Diesel	1			
140	1L-5361	SPRING, Fuel Filter - Diesel	1			
141	1K-5362	RETAINER, Fuel Filter Spring - Diesel	1			
142	1L-5362	RETAINER, Fuel Filter Spring - Diesel	1			
143	1K-5363	CAP SCREW, Fuel Filter - Diesel	4			
144		S-278 Lock Washer, 1/4	4			
145	1L-5363	CAP SCREW, Fuel Filter - Diesel	1			
146	1L-5364	GASKET, Fuel Filter Cap Screw - Diesel	1			
147	1L-5365	GASKET, Fuel Filter Cartridge - Top - Diesel	1			
148	1L-5366	GASKET, Fuel Filter Cartridge - Bottom - Diesel	1			
149	1KS-5600	BODY And Priming Lever, Fuel Supply Pump - Diesel (With 1KS-2460)	1	320001-	269001-	403001-
149	1KS-5600-A	BODY And Oil Seal, Fuel Supply Pump - Diesel (With 1KS-2460-A)	1	320001-	269001-	403001-
149	1KS-5600-B	BODY And Primer Lever, Fuel Supply Pump - Diesel (With 1KAS-2460-A)	1	320001-	269001-	403001-
149	1KS-5600-C	BODY And Primer Lever, Fuel Supply Pump - Diesel (With 1KS-2460-B and 1KS-2460-C)	1	320001-	269001-	403001-
150	1KS-5602-A	DIAPHRAGM, Fuel Supply Pump - Diesel	1	320001-	269001-	403001-
151	1K-5603-A	LINK, Fuel Supply Pump - Diesel	1	320001-	269001-	403001-
152	1K-5604	ARM, Fuel Supply Pump Rocker - Diesel	1	320001-	269001-	403001-
153	1K-5605	PIN, Fuel Supply Pump Rocker Arm - Diesel (Headless) (Order 1KRS-5605)	1	320001-	269001-	403001-
		(With 1KS-2460, 1KS-2460-A and 1KAS-2460-A)				
153	1K-5605-A	PIN, Fuel Supply Pump Rocker Arm - Diesel (Headless) (With 1KS-2460-B and 1KS-2460-C)	1	320001-	269001-	403001-
		PIN Repair Package, Fuel Supply Pump Arm - Diesel	1	320001-	269001-	403001-
		(For 1KS-2460, 1KS-2460-A and 1KAS-2460-A)				
154	1K-5606	WASHER, Fuel Supply Pump Rocker Arm Pin - Diesel	1	320001-	269001-	403001-
		(With 1KS-2460, 1KS-2460-A and 1KAS-2460-A)				
155	1K-5606-A	PLUG, Fuel Supply Pump Rocker Arm Pin - Diesel (With 1KS-2460-B and 1KS-2460-C)	2	320001-	269001-	403001-
156	1K-5607	SHOE, Fuel Supply Pump Rocker Arm - Diesel	1	320001-	269001-	403001-
157	1K-5608	PIN, Fuel Supply Pump Rocker Arm Shoe - Diesel	1	320001-	269001-	403001-
158	1K-5609	COTTER PIN, Fuel Supply Pump Rocker Arm Shoe - Diesel	1	320001-	269001-	403001-
159	1K-5610	SPRING, Fuel Supply Pump Rocker Arm - Diesel	1	320001-	269001-	403001-
160	1K-5611	SPRING, Fuel Supply Pump Diaphragm - Diesel	1	320001-	269001-	403001-
161	1K-5612	RETAINER, Fuel Supply Pump Diaphragm Spring - Diesel	1	320001-	269001-	403001-
162	1K-5613	SPRING, Fuel Supply Pump Diaphragm and Pull Rod - Diesel	1	320001-	269001-	403001-

FUEL TANK, TUBING AND CONNECTIONS

Ref. No.	Part Number	Description	No. Req.	Row Crop Serial Number	Standard Serial Number	Industrial Serial Number
163	IKS-5614	COVER And Valve Seat, Fuel Supply Pump Top - Diesel (With IKS-2460, IKA S-2460-A, IKS-2460-B and IKS-2460-C)	1	320001-	269001-	403001-
164	IKS-5614-A	COVER And Air Dome, Fuel Supply Pump Top - Diesel (With IKS-2460-A)	1	320001-	269001-	403001-
165	IK-5615	SCREW, Fuel Supply Pump Cover - Diesel	6	320001-	269001-	403001-
166	IK-5616	LOCK WASHER, Fuel Supply Pump Cover Screw - Diesel	6	320001-	269001-	403001-
167	IK-5617	AIR DOME, Fuel Supply Pump - Diesel (With IKS-2460, IKAS-2460-A, IKS-2460-B and IKS-2460-C)	1	320001-	269001-	403001-
168	IK-5618	VALVE, Fuel Supply Pump - Diesel (With IKS-2460, IKAS-2460-A, IKS-2460-B and IKS-2460-C)	2	320001-	269001-	403001-
169	IKS-5618-A	VALVE And Cage, Fuel Supply Pump - Diesel (With IKS-2460-A)	2	320001-	269001-	403001-
170	IK-5619	SPRING, Fuel Supply Pump Valve - Diesel (With IKS-2460, IKAS-2460-A, IKS-2460-B and IKS-2460-C)	2	320001-	269001-	403001-
171	IK-5620	PLUG, Fuel Supply Pump Valve - Diesel (With IKS-2460, IKAS-2460-A, IKS-2460-B and IKS-2460-C)	1	320001-	269001-	403001-
172	IK-5621	GASKET, Fuel Supply Pump Valve Plug - Diesel (With IKS-2460, IKAS-2460-A, IKS-2460-B and IKS-2460-C)	2	320001-	269001-	403001-
173	IK-5621-A	GASKET, Fuel Supply Pump Valve Cage - Diesel (With IKS-2460-A)	2	320001-	269001-	403001-
174	IK-5623	RETAINER, Fuel Supply Pump Valve Cage - Diesel (With IKS-2460-A)	1	320001-	269001-	403001-
175	IK-5624	SCREW, Fuel Supply Pump Valve Cage Retainer - Diesel (With IKS-2460-A)	1	320001-	269001-	403001-
176	IK-5625	GASKET, Fuel Supply Pump Rocker Arm Pin "0" - Diesel (With IKA S-2460-A)	2	320001-	269001-	403001-

DIESEL INJECTION PUMP, NOZZLES AND ACCESSORY DRIVE



DIESEL INJECTION PUMP, NOZZLES AND ACCESSORY DRIVE

Ref. No.	Part Number	Description	No. Req.	Row Crop Serial Number	Standard Serial Number	Industrial Serial Number
1	1KS-222	SLEEVE With Bushing, Idler Gear (Up to Engine Serial Number 924153 Inclusive)	1			
1	1KS-222-A	SLEEVE With Bushing, Idler Gear (Engine Serial Number 924154-952588)	1			
1	1KS-222-B	SLEEVE With Bushing, Idler Gear (Engine Serial Number 952589-)	1			
2	1K-224	SPINDLE, Idler Gear (Up to Engine Serial Number 924153 Inclusive)	1			
2	1K-224-A	SPINDLE, Idler Gear (Engine Serial Number 924154-952588)	1			
2	1K-224-B	SPINDLE, Idler Gear (Engine Serial Number 952589-)	1			
3	1K-225	GEAR, Idler (Order 1KS-225) (Up to Engine Serial Number 924153 Inclusive)	1			
4		937009 Key, 1/8 x 5/8 Woodruff	1			
4	1KS-225	GEAR (1K-225), Spindle (1K-224) and Key (937009), Idler (Up to Engine Serial Number 924153 Inclusive)	1			
3	1K-225-A	GEAR, Idler (Engine Serial Number 924154-)	1			
4		937009 Key, 1/8 x 5/8 Woodruff	1			
5	1K-226	PLUNGER, Idler Gear	1	320001-	269001-	403001-
6	1K-227	SPRING, Idler Gear Plunger	1	320001-	269001-	403001-
22		STUD, Fuel Injector (3/8 x 2)	12	320001-	269001-	403001-
24		915002 Nut, 3/8 - 24 Hex	12			
7	1KS-1701-B	PUMP, Fuel Injection (Bosch P5B6A-70Z-2509B) (Order 1KS-1701-E) S-2633 Elbow, 1/8 PT Brass Street S-3124 Cap Screw, 5/16 - 18 x 1-3/8 Hex Hd 908472 Cap Screw, 5/16 - 24 x 2-1/2 Hex Hd 920082 Lock Washer, 5/16 915001 Nut, 5/16 - 24 Hex	1	320001-	269001-	403001-
7	1KS-1701-C	PUMP, Fuel Injection (Bosch P5B6A-70Z-2509BR) (Order 1KS-1701-E) (Same hardware material as 1KS-1701-B)	1	320001-	269001-	403001-
7	1KS-1701-D	PUMP, Fuel Injection (Bosch P5B6A-70Y-2820A, B or E) (Order 1KS-1701-E) S-2633 Elbow, 1/8 PT Brass Strt (S-2633 replaced by 7A-1722 starting with Serial Number 6503) S-3133 Cap Screw, 3/8 - 16 x 1-3/8 Hex Hd 908488 Cap Screw, 3/8 - 24 x 2-3/4 Hex Hd 920083 Lock Washer, 3/8 S-293 Lock Washer, 3/8 Ext-Int Tooth 915002 Nut, 3/8 - 24 Hex	1	320001-	269001-	403001-
8			1			
7	1KS-1701-E	PUMP, Fuel Injection (Bosch P5B6A-70Y-3826A) (Same Hardware material as 1KS-1701-D)	1	320001-	269001-	403001-
9	1M-1702	TUBE, Injection - No. 1 (Order 1MS-1702) (Up to Engine Serial Number 897879 Inclusive)	1			
10		S-1966 Sleeve, 1/4 Tube No. 8165 x 4 Wthd Ermeto S-1996 Nut, 1/4 Tube No. 8112 x 4 Wthd Ermeto	2			
10			2			
9	1M-1702-A	TUBE, Injection - No. 1 (Order 1MS-1702-A) (Engine Serial Number 897880-)	1			
10		S-1966 Sleeve, 1/4 Tube No. 8165 x 4 Wthd Ermeto S-1996 Nut, 1/4 Tube No. 8112 x 4 Wthd Ermeto	2			
10			2			

DIESEL INJECTION PUMP, NOZZLES AND ACCESSORY DRIVE

Ref. No.	Part Number	Description	No. Req.	Row Crop Serial Number	Standard Serial Number	Industrial Serial Number
11	IMS-1702	TUBE (IM-1702) and Fittings (S-1966 and S-1996), Injection - No. 1 (Up to Engine Serial Number 897879 Inclusive)	1			
11	IMS-1702-A	TUBE (IM-1702-A) and Fittings (S-1966 and S-1996), Injection - No. 1 (Engine Serial Number 897880-)	1			
12	IMS-A-1702	TUBING SET, Injection (S-1966 and S-1996 Included) (Tubes are horizontal) (Up to Engine Serial Number 897879 Inclusive)	1			
12	IMS-A-1702-A	TUBING SET, Injection (S-1966 and S-1996 Included) (Tubes are vertical) (Engine Serial Number 897880-)	1			
9	IM-1703	TUBE, Injection - No. 2 (Order IMS-1703) (Up to Engine Serial Number 897879 Inclusive)	1			
10		S-1966 Sleeve, 1/4 Tube No. 8165 x 4 Wthd Ermeto	2			
		S-1996 Nut, 1/4 Tube No. 8112 x 4 Wthd Ermeto	2			
13	IMS-1703	TUBE (IM-1703) and Fittings (S-1966 and S-1996), Injection - No. 2 (Up to Engine Serial Number 897879 Inclusive)	1			
13	IMS-1703-A	TUBE (IM-1703-A) and Fittings (S-1996 and S-1966), Injection - No. 2 (Engine Serial Number 897880-)	1			
9	IM-1704	TUBE, Injection - No. 3 (Order IMS-1704) (Up to Engine Serial Number 897879 Inclusive)	1			
10		S-1966 Sleeve, 1/4 Tube No. 8165 x 4 Wthd Ermeto	2			
		S-1996 Nut, 1/4 Tube No. 8112 x 4 Wthd Ermeto	2			
9	IM-1704-A	TUBE, Injection - No. 3 (Order IMS-1704-A) (Engine Serial Number 897880-)	1			
10		S-1966 Sleeve, 1/4 Tube No. 8165 x 4 Wthd Ermeto	2			
		S-1996 Nut, 1/4 Tube No. 8112 x 4 Wthd Ermeto	2			
14	IMS-1704	TUBE (IM-1704) and Fittings (S-1966 and S-1996), Injection - No. 3 (Up to Engine Serial Number 897879 Inclusive)	1			
14	IMS-1704-A	TUBE (IM-1704-A) and Fittings (S-1966 and S-1996), Injection - No. 3 (Engine Serial Number 897880-)	1			
9	IM-1705	TUBE, Injection - No. 4 (Order IMS-1705) (Up to Engine Serial Number 897879 Inclusive)	1			
10		S-1966 Sleeve, 1/4 Tube No. 8165 x 4 Wthd Ermeto	2			
		S-1996 Nut, 1/4 Tube No. 8112 x 4 Wthd Ermeto	2			
9	IM-1705-A	TUBE, Injection - No. 4 (Order IMS-1705-A) (Engine Serial Number 897880-)	1			
10		S-1966 Sleeve, 1/4 Tube No. 8165 x 4 Wthd Ermeto	2			
		S-1996 Nut, 1/4 Tube No. 8112 x 4 Wthd Ermeto	2			
15	IMS-1705	TUBE (IM-1705) and Fittings (S-1966 and S-1996), Injection - No. 4 (Up to Engine Serial Number 897879 Inclusive)	1			
15	IMS-1705-A	TUBE (IM-1705-A) and Fittings (S-1966 and S-1996), Injection - No. 4 (Engine Serial Number 897880-)	1			
9	IM-1706	TUBE, Injection - No. 5 (Order IMS-1706) (Up to Engine Serial Number 897879 Inclusive)	1			
10		S-1966 Sleeve, 1/4 Tube No. 8165 x 4 Wthd Ermeto	2			
		S-1996 Nut, 1/4 Tube No. 8112 x 4 Wthd Ermeto	2			

DIESEL INJECTION PUMP, NOZZLES AND ACCESSORY DRIVE

Ref. No.	Part Number	Description	No. Req.	Row Crop Serid. Number	Standard Serid. Number	Industrial Serid. Number
9	1M-1706-A	TUBE, Injection - No. 5 (Order IMS-1706-A) (Engine Serid. Number 897880-)	1			
10		S-1966 Sleeve, 1/4 Tube No. 8165 x 4 Wth Ermeto	2			
16	IMS-1706	S-1996 Nut, 1/4 Tube No. 8112 x 4 Wthd Ermeto	2			
16	IMS-1706-A	TUBE (1M-1706) and Fittings (S-1966 and S-1996), Injection - No. 5 (Up to Engine Serid. Number 897879 Inclusive)	1			
9	IM-1707	TUBE (1M-1706-A) and Fittings (S-1966 and S-1996), Injection - No. 5 (Engine Serid. Number 897880-)	1			
10		TUBE, Injection - No. 6 (Order IMS-1707) (Up to Engine Serid. Number 897879 Inclusive)	1			
9	IM-1707-A	S-1966 Sleeve, 1/4 Tube No. 8165 x 4 Wthd Ermeto	2			
10		S-1996 Nut, 1/4 Tube No. 8112 x 4 Wthd Ermeto	2			
17	IMS-1707	TUBE, Injection - No. 6 (Order IMS-1707-A) (Engine Serid. Number 897880-)	1			
17	IMS-1707-A	S-1966 Sleeve, 1/4 Tube No. 8165 x 4 Wthd Ermeto	2			
18	IKS-1708-A	S-1996 Nut, 1/4 Tube No. 8112 x 4 Wthd Ermeto	2			
19	IK-1709	TUBE (1M-1707) and Fittings (S-1966 and S-1996), Injection - No. 6 (Up to Engine Serid. Number 897879 Inclusive)	1			
20	IKS-1709-A	TUBE (1M-1707-A) and Fittings (S-1966 and S-1996), Injection - No. 6 (Engine Serid. Number 897880-)	1			
22	1H-429	HOLDER, Nozzle	6	320001-	269001-	403001-
24		NOZZLE, Injector	6	320001-	269001-	403001-
25	IMS-1711-A	INJECTOR, Fuel	6	320001-	269001-	403001-
26-28		S-1993 Tee, 3/16 x 1/8 PT (Order 7A-1715)	6			
27	IMS-1711-C	STUD, Fuel Injector (3/8 x 2) 915002 Nut, 3/8 - 24 Hex	12			
29	7A-1712-B	LINE Assembly, Drip - Pump to No. 1 Injection	1	320001-	269001-	403001-
30	IMS-1711-B	LINE Assembly, Drip - No. 1 to No. 2, No. 3 to No. 4, No. 5 to No. 6 Injection	12			
31	IMS-1711-C	LINE Assembly, Drip - No. 2 to No. 3, No. 4 to No. 5 Injection	1	320001-	269001-	403001-
32	IK-1712-B	CLAMP, Injector Tubing (6 notches, 2 drilled holes) (Up to Engine Serid. Number 897879 Inclusive)	3	320001-	269001-	403001-
29	7A-1712	S-3132 Cap Screw, 1/4 - 28 x 1-1/8 Hex Hd 920081 Lock Washer, 1/4 915000 Nut, 1/4 - 28 Hex	2	320001-	269001-	403001-
30		CLAMP, Injector Tubing (6 notches, 3 drilled holes) (Engine Serid. Number 897880-)	4			
31		S-3132 Cap Screw, 1/4 - 28 x 1-1/8 Hex Hd	4			
32		920081 Lock Washer, 1/4 915000 Nut, 1/4 - 28 Hex	4			
29	IK-1712-D	908453 Cap Screw, 1/4 - 28 x 1-1/4 Hex Hd	1			
30		CLAMP, Injection Tubing (3 Notches) (Engine Serid. Number 897880-)	2			
31		S-3132 Cap Screw, 1/4 - 28 x 1-1/8 Hex Hd	2			
32		920081 Lock Washer, 1/4 915000 Nut, 1/4 - 28 Hex	2			
33	IKS-1713-A	LINE Assembly, Injection Pump Oil	1	320001-	269001-	403001-
34		S-1992 Connector, 1/8 PT x 3/16 Tube Male	1			
35		S-2680 Elbow, 1/8 PT x 3/16 Tube Male	1			

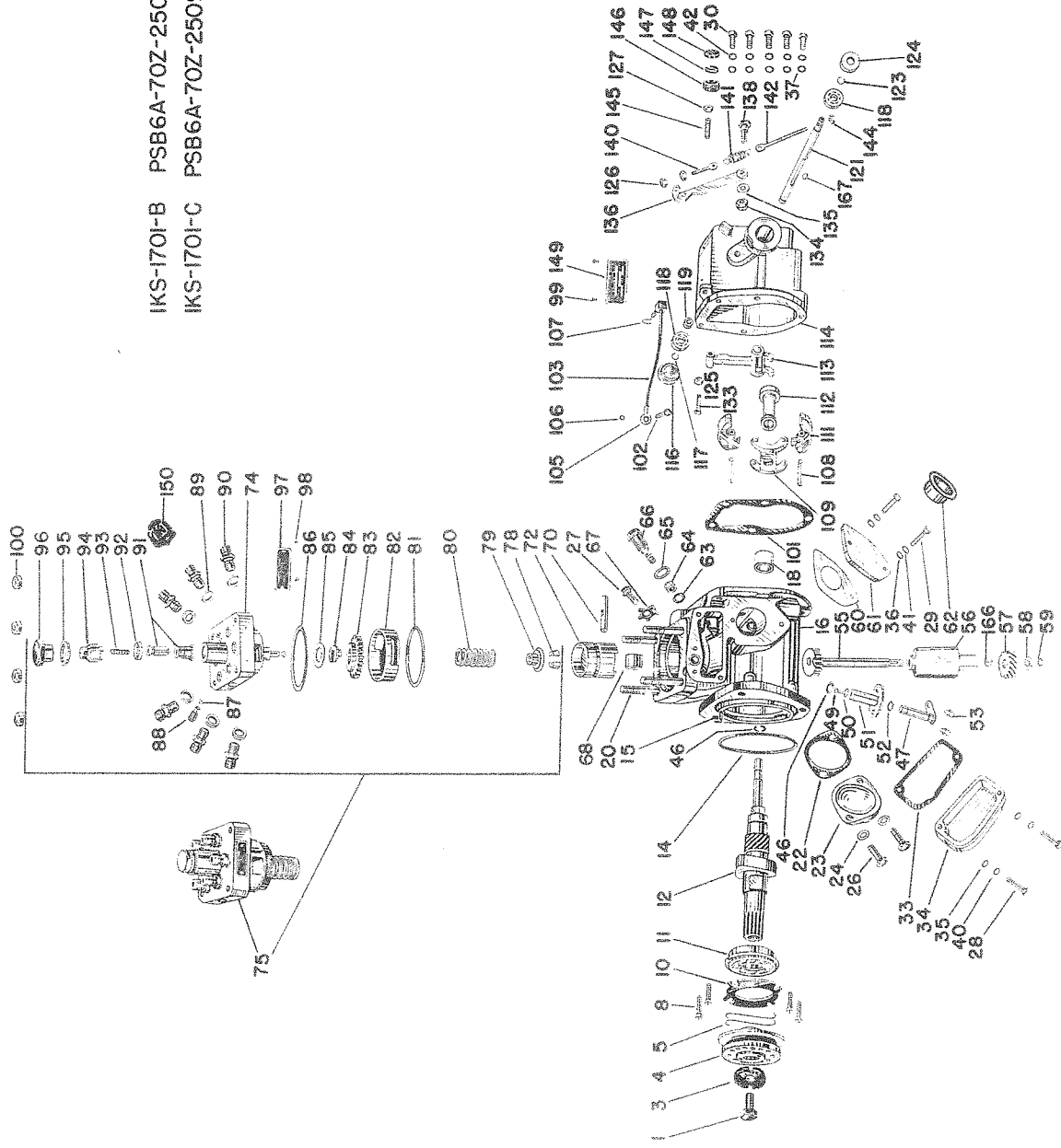
SECTION III
FUEL SYSTEM

77 PARTS BOOK

DIESEL INJECTION PUMP, NOZZLES AND ACCESSORY DRIVE

Ref. No.	Part Number	Description	No. Req.	Row Crop Serial Number	Standard Serial Number	Industrial Serial Number
36	1K-1714	BRACKET, Clamp (Engine Serial Number 897880-)	1			
21	7A-1715	FITTING, Fuel Line Tee	6	6503-	6503-	6503-
37	1K-1722	CONNECTOR	1	320001-6502	269001-6502	403001-6502
38	1KS-1722	CONNECTOR And Restrictor Assembly	1	320001-6502	269001-6502	403001-6502
8-38	7A-1722	ELBOW, Restrictor	1	6503-	6503-	6503-
39	1K-1723	RESTRICTOR	1	320001-6502	269001-6502	403001-6502
	1L-1725	WIRE And Seal, Fuel Injection Pump Sealing (5-1/2" Long)	1	320001-	269001-	403001-
	1L-1725-A	WIRE And Seal, Fuel Injection Pump Sealing (16" Long)	1	320001-	269001-	403001-
40	1L-1726	BUSHING, Speed Pipe	1	320001-	269001-	403001-
41	1K-1737	GEAR, Fuel Injection Pump	1	320001-	269001-	403001-
42	1K-1739-A	CAP SCREW, Fuel Injection Pump Gear Hub	3	320001-	269001-	403001-
43	1K-1740	WIRE, Brass Lock	1	320001-	269001-	403001-
44	1K-5806	CAP, Nozzle Plastic	6	320001-	269001-	403001-
45	1K-5807	CAP, Fuel Inlet	6	320001-	269001-	403001-
46	1K-5808	PLUG, Drip Line Outlet Hex	6	320001-	269001-	403001-
47	1K-5876	CAP, Protection	6	320001-	269001-	403001-
48	1K-5877	SCREW, Pressure Adjusting	6	320001-	269001-	403001-
49	1K-5878	NUT, Pressure Adjusting Screw Lock	6	320001-	269001-	403001-
50	1K-5879	NUT, Spring Retaining Cup	6	320001-	269001-	403001-
51	1K-5880	SEAT, Spring Upper	6	320001-	269001-	403001-
52	1K-5881	GASKET, Protection Cap	6	320001-	269001-	403001-
53	1K-5882	SPRING, Pressure Adjusting	6	320001-	269001-	403001-
54	1K-5883	BODY, Holder	6	320001-	269001-	403001-
55	1K-5884	SEAT And Spindle, Lower Spring	6	320001-	269001-	403001-
56	1K-5885	NUT, Nozzle Cap	6	320001-	269001-	403001-
57	1K-5886	GASKET, Nozzle Cap Nut (Included in 1K-1709)	6	320001-	269001-	403001-

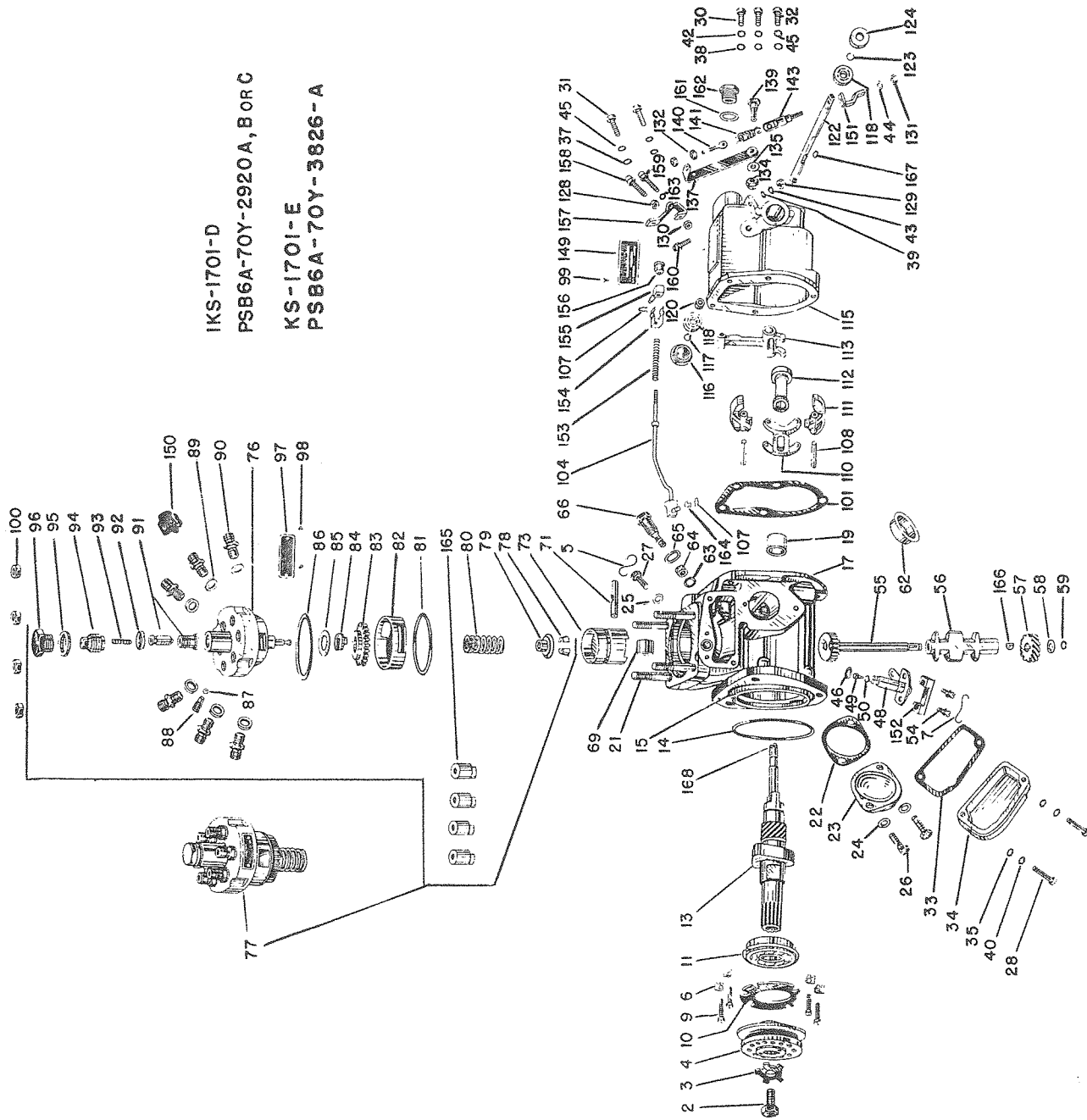
DIESEL INJECTION PUMP



IKS-170I-B PSB6A-70Z-2509B
IKS-170I-C PSB6A-70Z-2509BR

Ref. No.	Part Number	Description	No. Req.	Row Crop Serial Number	Standard Serial Number	Industrial Serial Number	
	IKS-170I-B	PUMP, Fuel Injection - Complete (Order IKS-170I-E) (Bosch PSB6A-70Z-2509B)	1				
	IKS-170I-C	PUMP, Fuel Injection - Complete (Order IKS-170I-E) (Bosch PSB6A-70Z-2509BR)	1				
	IKS-170I-D	PUMP, Fuel Injection - Complete (Order IKS-170I-E) (Bosch PSB6A-70Y-2920A, B or E)	1				
	IKS-170I-E	PUMP, Fuel Injection - Complete (Bosch PSB6A-70Y-3826A)	1				
Ref. No.	Part Number	Bosch Part Number	Description	-B	-C	-D	-E
1	IK-5701	SC76107	SCREW, Camshaft Hub	1	1	1	1

DIESEL INJECTION PUMP



Ref. No.	Part Number	Bosch Part Number	Description	-B	-C	-D	-E
2	1K-5701-A	SC908	SCREW, Camshaft Hub			1	1
3	1K-5702	WA7623	LOCK WASHER, Hub Screw	1	1	1	1
4	1K-5703	HB908A	HUB, Drive	1	1	1	1
5	1K-5704	WT763	WIRE, Locking	Req.	Req.	Req.	Req.
6	1K-5704-A	WA901	LOCK WASHER, Fastening Screw			4	4
7	1K-5704-B	WT901	WIRE, Fastening Screw Locking			1	1

DIESEL INJECTION PUMP

Ref. No.	Part Number	Bosch Part Number	Description	-B	-C	-D	-E
8	1K-5705	SC1355	SCREW, Ball Bearing Retaining Plate Fastening	4	4		
9	1K-5705-A	SC1555	SCREW, Ball Bearing Retaining Plate Fastening			4	4
10	1K-5706	PL907	PLATE, Ball Bearing Retaining	1	1	1	1
11	1K-5707	BB1023	BEARING, Camshaft Ball	1	1	1	1
12	1K-5708	SH906A	CAMSHAFT (Order 1K-5708-A and 1K-5779-A)	1	1		
13	1K-5708-A	SH9012-A	CAMSHAFT (Includes Ref. No. 168)			1	1
14	1K-5709	GA76200	GASKET, Rubber Ring	1	1	1	1
15	1K-5710	PO764	POINTER, Timing	1	1	1	1
16	1KS-5711	HG902A	HOUSING, Pump (Includes Ref. No. 18 and 20)	1	1		
17	1KS-5711-A	HG9016A	HOUSING, Pump (Includes Ref. No. 19 and 21)				
18	1K-5712	BG7657	BUSHING, Camshaft (Order 1K-5712-A)	1	1	1	1
19	1K-5712-A	BG7649	BUSHING, Camshaft				
20	1K-5713	SD901	STUD, Housing	4	4		
21	1K-5713-A	SD903	STUD, Housing			4	4
22	1K-5714	GA904	GASKET, Quill Shaft Pad	1	1	1	1
23	1K-5715	CV903C	PAD, Pump Housing Quill Shaft	1	1	1	1
24	1K-5716	GA7616	GASKET, Fastening Screw (Quill Shaft Pad)	2	2	2	2
25	1K-5716	GA7616	GASKET, Fastening Screw (Quill Shaft Bushing Locating Screw)			1	1
26	1K-5717	SC1140	SCREW, Quill Shaft Pad Fastening	2	2	2	2
27	1K-5717	SC1140	SCREW, Quill Shaft Bushing Locating	1	1	1	1
28	1K-5717	SC1140	SCREW, Timing Window Cover Assembly Fastening	2	2	2	2
29	1K-5717	SC1140	SCREW, Supply Pump Cover Fastening	2	2		
30	1K-5717	SC1140	SCREW, Governor Housing Fastening	5	5	2	2
31	1K-5717-A	SC1110	SCREW, Governor Housing Fastening			2	2
32	1K-5717-A	SC1110	SCREW, Stop Plate and Governor Housing Fastening			1	1
33	1K-5718	GA909	GASKET, Timing Window Cover	1	1	1	1
34	1K-5719-A	CV9014C	COVER, Timing Window	1	1	1	1
35	1K-5720	WA1143	WASHER, Fastening Screw Plain (Timing Window Cover)	2	2	2	2
36	1K-5720	WA1143	WASHER, Fastening Screw Plain (Supply Pump Cover)	2			
37	1K-5720	WA1143	WASHER, Fastening Screw Plain (Governor Housing)	5	5	2	2
38	1K-5720	WA1143	WASHER, Fastening Screw Plain (Stop Plate and Governor Housing)			3	3
39	1K-5720	WA1143	WASHER, Fastening Screw Plain (Full Load Stop Screw)			1	1
40	1K-5721	WA22-8BL	LOCK WASHER, Fastening Screw (Timing Window Cover)	2	2	2	2
41	1K-5721	WA12-8BL	LOCK WASHER, Fastening Screw (Supply Pump Cover)	2			
42	1K-5721	WA22-8BL	LOCK WASHER, Fastening Screw (Governor Housing)	5	5	2	2
43	1K-5721	WA22-8BL	LOCK WASHER, Fastening Screw (Full Load Stop Screw)			1	1
44	1K-5721	WA22-8BL	LOCK WASHER, Fastening Screw (Shut off Screw)			1	1
45	1K-5721	WA22-8BL	LOCK WASHER, Fastening Screw (Stop Plate and Governor Housing)			3	3

DIESEL INJECTION PUMP

Ref. No.	Part Number	Bosch Part Number	Description	-B	-C	-D	-E
46	1K-5722	GA-1014	GASKET, Control Unit and Camshaft "0" Ring	2	2	1	1
47	1K-5723	LE908A	SHAFT, Control (Order 1KSR-5723-B)	1	1		
	1KS-5723	CU903A	UNIT Assembly, Control (Order 1KSR-5723-B) (includes Ref. No. 47, 49, 50, 51 and 52)	1	1		
48	1KS-5723-A	CU907-3A	UNIT Assembly, Control (Order 1KSR-5723-B) (includes Ref. No. 48 and 50)			1	
	IKSR-5723-B	KT9019	REPAIR Package, Control Unit	1	1	1	1
48	1KS-5723-B	CU-9010-A	UNIT Assembly, Control	1	1	1	1
49	1K-5724	PN906	PIN, Plunger Sleeve	1	1	1	
49	1K-5724-A	PN-9023	PIN, Plunger Sleeve				1
50	1K-5725	RG1015	RING, Control Shaft Spinning	1	1	1	
50	1K-5725-A	NT4-6	NUT, Control Unit Hex				1
51	1K-5726	BG901A	BUSHING, Control Shaft	1	1		
52	1K-5727	GA76195	GASKET, Control Shaft Ring	1	1		
	1K-5727-A	WA1648	WASHER, Control Unit Hex Nut Tab (Not illustrated)				1
53	1K-5728	SC1148	FASTENER UNIT, Control Unit Sems	2	2	2	
54	1K-5728-B	SC1689	SCREW And Lock Washer, Control Unit Fastening				2
54	1K-5728-B	SC1700	UNIT, Control Unit Sems Fastener				2
55	1K-5729	SH909A	SHAFT With Gear, Quill	1	1	1	1
	1KS-5729	SH908A	SHAFT Assembly, Quill (includes Ref. No. 55, 56, 57, 58, 59 and 166)	1	1	1	1
56	1K-5730	BG905	BUSHING, Quill Shaft	1	1	1	1
57	1K-5731	GE908	GEAR, Camshaft Driven	1	1	1	1
58	1K-5732	WMS2157/1X	WASHER, Plain (.004")				Req.
58	1K-5733	WMS2157/400X	WASHER, Plain (.002")				Req.
58	1K-5734	WMS2157/2X	WASHER, Plain (.008")				Req.
58	1K-5735	WMS2157/3X	WASHER, Plain (.020")				Req.
59	1K-5736	RG1014	RING, Quill Shaft Spinning	1	1	1	1
60	1K-5737	GA903	GASKET, Supply Pump Cover	1			
61	1K-5738	CV901C	COVER, Housing Supply Pump (See 1K-5738-A)	1			
62	1K-5738-A	PG-902	PLUG, Housing Closing (Replaces 2 1K-5717, 2 1K-5720, 2 1K-5721, 1 1K-5737 and 1 1K-5738 on 1KS-1701-B)			1	1
63	1K-5739	GA1012	GASKET, Filter Screw Ring	1	1	1	1
64	1K-5740	FE901	FILTER, Screen	1	1	1	1
65	1K-5741	GA7965	GASKET, Filter Screw	1	1	1	1
66	1K-5742	SC903	SCREW, Filter	1	1	1	1
67	1K-5743	WA1364	LOCK WASHER, Fastening Screw	1	1	1	1
	1KS-5744	TP901A	TAPPET Assembly (Order 1KS-5744-A) (includes Ref. No. 68, 70 and 72)	1	1		
	1KS-5744-A	TP902A	TAPPET Assembly (includes Ref. No. 69, 71 and 73)			1	1

DIESEL INJECTION PUMP

Ref. No.	Part Number	Bosch Part Number	Description	-B	-C	-D	-E
68	1K-5745	RL902A	ROLLER Assembly, Tappet	1	1		
69	1K-5745-A	RL903A	ROLLER Assembly, Tappet			1	1
70	1K-5746	PN904	PIN, Tappet Assembly	1	1		
71	1K-5746-A	PN9013	PIN, Tappet Roller			1	1
72	1K-5747	GU901A	GUIDE Assembly, Tappet (Order 1KS-5744-A)	1	1		
73	1K-5747-A	GU905-A	GUIDE Assembly, Tappet			1	1
74	1K-5748	HD904-2A	HEAD, Hydraulic (Order 1K-5748-A and 4 1KR-5821)	1	1		
75	1KS-5748	HD2575A	HEAD Assembly, Hydraulic (Order 1KSR-5748-B)	1	1		
76	1K-5748-A	HD9012-2A	HEAD, Hydraulic			1	1
77	1KSR-5748-B	HD3173A	HEAD Service Package, Hydraulic	1	1	1	
78	1K-5749	HD3690-A	HEAD Assembly, Hydraulic				1
79	1K-5750	HP902	LOCK, Plunger	1	1	1	1
80	1K-5751	GU904	SEAT, Plunger Spring Lower	1	1	1	1
81	1K-5752	SP901	SPRING, Plunger Inner	1	1	1	1
82	1KA-5753	GA1009	GASKET, Head Assembly Ring	1	1	1	1
83	1K-5754	RN9014	COVER, Gear Retainer	1	1	1	1
84	1K-5755	GE909	GEAR, Plunger Drive	1	1	1	1
85	1K-5756	GU903	GUIDE, Plunger	1	1	1	1
86	1K-5757	WA1362	WASHER, Plunger Drive Gear Thrust	1	1	1	1
87	1K-5758	GA1010	GASKET, Head Assembly Ring	1	1	1	1
88	1K-5759	BB1024	BALL, Set Screw Sealing	1	1	1	1
89	1K-5760	SC1352	SCREW, Sealing Ball Set	1	1	1	1
90	1K-5761	GA9010	GASKET, Discharge Fitting	6	6	6	6
91	1K-5762	FI901	FITTING, Discharge	6	6	6	6
91	1L-5762	VA902A	VALVE Assembly, Delivery	1	1	1	1
92	1K-5763	VA909-A	VALVE Assembly, Delivery	1	1	1	1
93	1K-5764	GA905	GASKET, Retaining Screw on Delivery Valve Holder	1	1	1	1
93	1L-5764	SP7655	SPRING, Delivery Valve	1	1	1	1
94	1K-5765	SP9015	SPRING, Delivery Valve	1	1	1	1
94	1L-5765	HP903	HOLDER, Delivery Valve	1	1	1	1
95	1K-5766	HP9011	HOLDER, Delivery Valve	1	1	1	1
95	1K-5767	GA906	GASKET, Cap Screw	1	1	1	1
97	1K-5768	SC902	CAP SCREW, Delivery Valve	1	1	1	1
98	1K-5769	NP902	PLATE, Hydraulic Head Part Number	1	1	1	1
99	1K-5769	SC150-2	SCREW, Part Number Plate Fastening	2	2	2	2
100	1K-5770	SC150-2	SCREW, Name Plate Fastening	2	2	2	2
101	1K-5771	NT1127	NUT, Hydraulic Head Assembly Fastening	4	4	4	4
		GA-907	GASKET, Governor Housing	1	1	1	1

DIESEL INJECTION PUMP

Ref. No.	Part Number	Bosch Part Number	Description	-B	-C	-D	-E
102	IK-5772	PN9010	PIN	1	1		
103	IKS-5773	RD906A	ROD, Control (Order IKS-5773) (Includes Ref. No. 103, 105 and 106)	1			
103	IKAS-5773	RD9018A	ROD, Control (Order IKS-5773) (Includes Ref. No. 103, 105 and 106)		1		
	IKSR-5773		ROD Package, Control	1	1		
104	IKS-5773-C	RD9024-1A	ROD Assembly, Control (Includes Ref. No. 104, 153, 154, 155 and 156)			1	1
105	IK-5774	LK901	LINK, Control Rod (Order IKS-5774)	1	1		
	IKS-5774	LK903A	LINK Assembly, Control Rod (Includes Ref. No. 105 and 106)	1	1		
106	IK-5775	RG901	RING, Control Rod Link Spring (Order IK-5776-A)	1	1		
107	IK-5776-A	PN1122	HAIRPIN, Control Rod	1		1	1
107	IK-5776-A	PN1122	HAIRPIN, Governor End Control Rod	1	1	1	1
	IKS-5777	WT903A	WEIGHT Assembly (Includes Ref. No. 108, 109 and 111)	1	1	1	1
	IKS-5777-A	WT907A	WEIGHT Assembly (Includes Ref. No. 108, 110 and 111)			1	1
108	IK-5778	AP10416	PIN, Weight	2	2	2	
109	IK-5779	HP904	SPIDER, Weight	1	1		2
110	IK-5779-A	HP908	SPIDER, Weight			1	1
111	IK-5780	CP15258	WEIGHT	2	2	2	2
112	IK-5781	SV904-A	SLEEVE Assembly	1	1	1	1
113	IK-5782	LE9010	LEVER, Fulcrum	1	1	1	1
114	IK-5783	HG905	HOUSING, Governor	1	1		
115	IK-5783-A	HG9012	HOUSING, Governor			1	1
116	IK-5784	PG901	PLUG, Closing	1	1	1	1
117	IK-5785	SP1067	RING, Fulcrum Lever Shaft Spring	1	1	1	1
118	IK-5786	BB1025	BEARING, Fulcrum Lever Shaft Ball	2	2	2	2
119	IK-5787	SR901	SPACER, Fulcrum Lever Shaft	1	1		
120	IK-5787-A	SR903	SPACER, Fulcrum Lever Shaft			1	1
121	IK-5788	SH903	SHAFT, Fulcrum Lever	1	1		
122	IK-5788-A	SH9016	SHAFT, Fulcrum Lever			1	1
123	IK-5789	RG1016	RING, Fulcrum Lever Shaft Spring	1	1	1	1
124	IK-5790	PK901	SEAL, Fulcrum Lever Shaft Oil	1	1	1	1
125	IK-5791	NT6-8BL	NUT, Stop Screw Lock (Opening Lever)	1	1		
126	IK-5791	NT6-8BL	NUT, Stop Screw Lock (Spring Adjusting Screw)	2	2		
127	IK-5791	NT6-8BL	NUT, Stop Screw Lock (Fulcrum Lever)	1	1		
128	IK-6791	NT6-8BL	NUT, Stop Screw Hex (Idle Stop)			1	1
129	IK-5791	NT6-8BL	NUT, Stop Screw Hex (Full Load Stop)			1	1
130	IK-5791	NT6-8BL	NUT, Shutoff Screw (Fuel)			1	1
131	IK-5791	NT6-8BL	NUT, Stop Screw Jam (Shutoff Stop)			1	1

DIESEL INJECTION PUMP

Ref. No.	Part Number	Bosch Part Number	Description	-B	-C	-D	-E
132	1K-5791-A	NT1142	NUT, Spring Adjusting Screw Hex			2	2
133	1K-5792	SC1393	SCREW, Operating Lever Stop	1	1		
134	1K-5793	NT1180	NUT, Pivot Screw Elastic	1	1	1	1
135	1K-5794	WA1303	WASHER, Pivot Screw Plain	1	1	1	1
136	1K-5795	LE9011A	LEVER, Operating	1	1		
137	1K-5795-A	LE9016A	LEVER, Operating			1	1
138	1K-5796	SC905	SCREW, Operating Lever Pivot	1	1		
139	1K-5796-A	SC9012	SCREW, Operating Lever Pivot			1	1
140	1K-5797	SC907	SCREW, Spring Adjusting	1	1	1	1
141	1K-5798-B	SP9013	SPRING, Operating Lever Extension	1	1	1	1
142	1K-5799	SC906	SCREW, Operating Lever Shutoff	1	1		
143	1K-5799-B	SC9011	SCREW, Operating Lever Shutoff			1	1
144	1K-5800	NT1021	NUT, Shutoff Screw Elastic Stop	1	1	1	1
145	1K-5801	SC350-16BL	SCREW, Fulcrum Lever Stop	1	1		
146	1K-5802	CV79149	COVER, Stop Screw Inner Sealing	1	1		
147	1K-5803	NT901	NUT, Stop Screw Round Lock	1	1		
148	1K-5804	CV79150	COVER, Stop Screw Outer Sealing	1	1		
149	1K-5805	NP901	PLATE, Name	1	1		
150	1K-5807	CP7815	CAP, Fuel Outlet Protection	6	6	6	6
151	1K-5809	PL9012	PLATE, Shutoff			1	1
152	1K-5810-A	RN906	RETAINER, Control Unit			1	1
152	1K-5810-B	RN9011	RETAINER, Control Unit			1	1
153	1K-5811-A	SP9014	SPRING, Control Rod			1	1
154	1K-5812-B	RN908	CLIP, Nut Retainer			1	1
155	1K-5813-A	PN9017	PIN, Control Rod			1	1
156	1K-5814-A	NT1158	NUT, Hex			1	1
157	1K-5815	PL9014	PLATE, Stop			1	1
158	1K-5816	SC9015	SCREW, Operating Lever Idle Stop			1	1
159	1K-5816	SC9015	SCREW, Shutoff Stop (Fuel)			1	1
160	1K-5816	SC9015	SCREW, Full Load Stop			1	1
161	1K-5817	WA1071	WASHER, Closing Plug			1	1
162	1K-5818	PG903	PLUG, Governor Housing Closing			1	1
163	1K-5819	SR1033-1	SPACER, Stop Screw (.062") (Fuel Shutoff)			Req.	Req.
163	1K-5819-A	SR1033-2	SPACER, Stop Screw (.125") (Fuel Shutoff)			Req.	Req.
163	1K-5819-B	SR1033-3	SPACER, Stop Screw (.188") (Fuel Shutoff)			Req.	Req.
164	1K-5820	WA1625	WASHER, Control Rod Plain				1
164	1K-5820-A	WA1649	WASHER, Control Rod Plain			1	

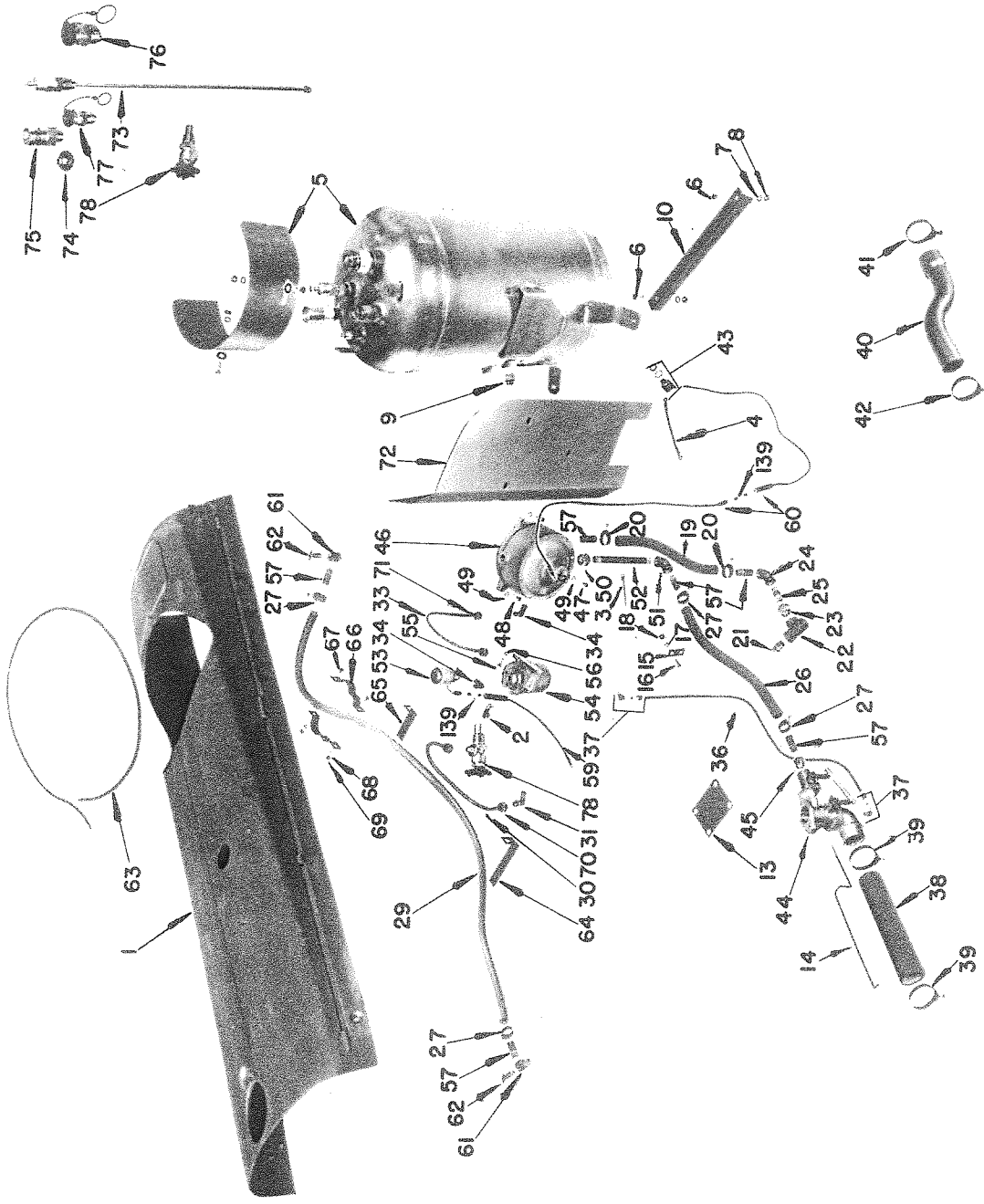
SECTION III
FUEL SYSTEM

77 PARTS BOOK

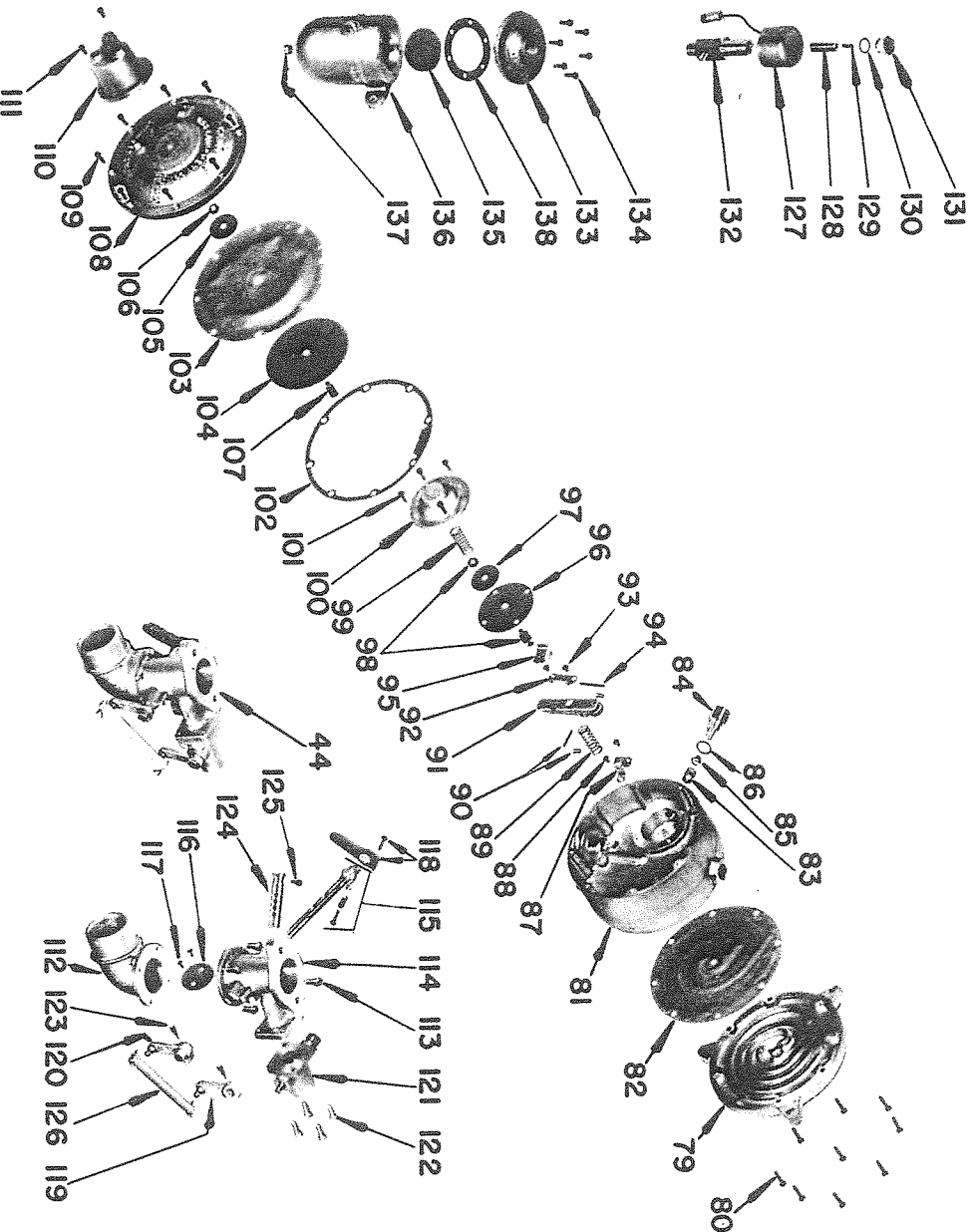
DIESEL INJECTION PUMP

Ref. No.	Part Number	Bosch Part Number	Description	-B	-C	-D	-E
165	IKR-5821	SV907	SLEEVE			4	4
166	1B-8532-B	KY1006	KEY, Quill Shaft Woodru ff	1	1	1	1
167	1B-8540	KY11-3	KEY, Fulcrum Lever Shaft Woodru ff	1	1	1	1
168	1C-8645	SC1541	SCREW And Lock Washer, Camshaft			1	1

LP GAS EQUIPMENT



Ref. No.	Part Number	Description	No. Req.	Row Crop Serial Number	Standard Serial Number	Industrial Serial Number
1	IMS-806-B	HOOD ASSEMBLY	1	320001-	269001-	
2	IK-1271-A	CLIP, FUELLOCK TO COIL WIRE	1	320001-	269001-	
3	IK-1273-D	CLIP, PRIMER WIRE	1	320001-	269001-	
4	IBS-1358	WIRE, AMMETER TO PRIMER SWITCH (Ignition Switch to Primer Switch in field conversion package)	1	320001-	269001-	
5	IMS-1901	TANK WITH VALVES, LP GAS FUEL	1	320001-	269001-	
6		908333 Cap Screw, 5/8 - 16 x 1-1/4 Hex Hd	3			
7		920083 Lock Washer, 3/8	3			
8		915113 Nut, 3/8 - 16 Hex	3			
9		S-1901 Plug, 3/4 Sq Hd Pipe	1			
10	IM-1906	SUPPORT, FUEL TANK - FRONT	1	320001-	269001-	
13	IK-1908	SEPARATOR, Intake and Exhaust Manifold	1	320001-	269001-	
14	IM-1909	ROD, Governor to Carburetor	1	320001-	269001-	



Ref. No.	Part Number	Description	No. Req.	Row Crop Serial Number	Standard Serial Number	Industrial Serial Number
15	1K-1910	GUIDE, Throttle Rod 909021 Screw, No. 10 - 24 x 5/8 Mach 920079 Lock Washer, No. 10 915538 Nut, No. 10 - 24 Hex	1	320001-	269001-	
16			1			
17			1			
18			1			
19	1M-1912-A	HOSE, Converter to Rear of Block (1 3/4"-1/2" Long)	1	320001-	269001-	
19	1M-1912-B	HOSE, Converter to Rear Of Block (8-5/8" Long) S-3734 Clamp for 1 OD Hose S-1704 Nipple, 1/2 x 1-1/8 (Close) Pipe S-1784 Tee, 1/2 Mall Pipe S-1946 Bushing, 1/2 to 3/8 Reducing Pipe S-1949 Elbow, 8/8 x 90° Mall S-2694 Nipple, 3/8 x 1-1/2 Pipe	2			
20			1			
21			1			
22			1			
23			1			
24			1			
25			1			
26	1M-1913	HOSE, Converter to Carburetor Vapor S-3734 Hose Clamp for 1" OD Hose	1	320001-	269001-	
27			2			
29	1M-1914	HOSE, Inlet Pipe to Converter Vapor S-3734 Hose Clamp for 1" OD Hose	1	320001-	269001-	
27			2			

LP GAS EQUIPMENT

Ref. No.	Part Number	Description	No. Req.	Flow Crop Serial Number	Standard Serial Number	Industrial Serial Number
30	IMS-1915-A	TUBE With Nuts (IK-1933) Assembly, Fuel Tank to Strainer	1	320001-	269001-	
31		S-2627 Elbow, 3/8 Tube x 1/4 PT 90° Male	1			
33	IMS-1916	TUBE With Nuts (IK-1934) Assembly, Fuellock to Converter	1	320001-	269001-	
34		S-1759 Elbow, 1/4 Tube x 1/4 PT 90° Male	2			
36	IM-1917	TUBE, Converter to Carburetor Air Horn	1	320001-	269001-	
37		SS-2632 Elbow, 1/4 Tube x 1/8 PT Male	2			
38	IM-1918	HOSE, Air Cleaner to Carburetor (Order IM-1918-A) (Used on the first field conversion packages) S-3000 Clamp for 2-3/16 OD Hose	1			
39			2			
40	IM-1918-A	HOSE, Air Cleaner to Carburetor (Molded Rubber)	1	320001-	269001-	
41		S-3726 Clamp for 2-1/4 OD Hose	1			
42		S-2995 Clamp for 1-7/8 OD Hose	1			
43	IK-1919	SWITCH, Solenoid Primer	1	320001-	269001-	
44	IKS-1920	CARBURETOR, LP Gas	1	320001-	269001-	
45		S-1946 Bushing, 3/8 to 1/2 Reducing	1			
46	IKS-1921	CONVERTER, LP Gas	1	320001-	269001-	
47		S-1920 Plug, 1/8 Hdless Slotted Pipe	1			
48		908302 Cap Screw, 1/4 - 20 x 7/8 Hex Hd	1			
49		908303 Cap Screw, 1/4 - 20 x 1 Hex Hd	2			
50		920081 Lock Washer, 1/4	3			
51		S-1935 Bushing, 3/4 to 3/8 Reducing	1			
52		S-1949 Elbow, 3/8 x 90° Mill	1			
52		S-1948 Nipple, 3/8 x 6 Pipe	1			
53	IKSA-1922	FUELOCK	1	320001-	269001-	
54	IKS-1923	STRAINER, Fuel	1	320001-	269001-	
55		908301 Cap Screw, 1/4 - 20 x 3/4 Hex Hd	2			
56		920081 Lock Washer, 1/4	2			
57	IK-1924	CONNECTION, Converter Hose (1-1/2' Long)	5	320001-	269001-	
57	IM-1924	CONNECTION, Converter Hose - Long (4-1/2' Long)	1	320001-	269001-	
59	IKS-1925-A	WIRE, Fuellock to Coil	1	320001-	269001-	
60	IKS-1926-A	WIRE, Primer Switch to Primer	1	320001-	269001-	
61	IK-1927	ELBOW, Special Street	2	320001-	269001-	
62		S-1991 Drain Cock, 1/8 PT Key Type Brass (Used on the first field conversion packages)	2			
62	IM-1928	ADAPTER, Intake (Order IM-1918-A) (Used on the first field conversion packages)	1			
63	IM-1929	STRIP, Hood Sealing	1	320001-	269001-	
64	IK-1930	CLIP, Inlet Water Hose - Front	1	320001-	269001-	
65	IK-1931	CLIP, Inlet Water Hose - Center	1	320001-	269001-	
66	IK-1932	CLIP, Inlet Water Hose - Rear	2	320001-	269001-	
67		909021 Screw, No. 10 - 24 x 5/8 Mich	2			
68		920079 Lock Washer, No. 10	2			
69		915538 Nut, No. 10 - 24 Hex	2			
70	IK-1933	NUT, 3/8 Flared Type Union	2	320001-	269001-	
71	IK-1934	NUT, 1/4 Flared Type Union	2	320001-	269001-	
72	IK-1935	BAFFLE, Fuel Tank	1	320001-	269001-	
73	IM-1991	GAUGE, Ship Tube	1	320001-	269001-	
74	IK-1992	GAUGE, Fixed Liquid Level Outage	1	320001-	269001-	

LP GAS EQUIPMENT

Ref. No.	Part Number	Description	No. Req.	Row Crop Ser'dl Number	Standard Ser'dl Number	Industrial Ser'dl Number
75	IK-1993	VALVE, 3/4" Pressure Relief (250 PSI)	1	320001-	269001-	
76	IK-1994	VALVE, 1-1/4" Filler	1	320001-	269001-	
77	IK-1995	VALVE, 3/4" Vapor Return	1	320001-	269001-	
78	IK-1996	VALVE, 3/4" Liquid Withdrawal	1	320001-	269001-	
79	IK-4001	CASTING, Converter Back S-2584 Screw, No. 10 - 24 x 5/8 Mach	1	320001-	269001-	
80			9			
81	IK-4002	CASTING, Converter Body	1	320001-	269001-	
82	IK-4003	GASKET, Converter Body	1	320001-	269001-	
83	IK-4004	VALVE, Converter	1	320001-	269001-	
84	IK-4005	JET, Converter	1	320001-	269001-	
85	IK-4006	SPRING, Converter Valve	1	320001-	269001-	
86	IK-4007	GASKET, Converter Valve (Red Fiber)	3	320001-	269001-	
87	IK-4008	PERCH, Converter Low Pressure Lever 909233 Screw, No. 8 - 32 x 1/4 Mach	1	320001-	269001-	
88			2			
89	IK-4009	SPRING, Converter	1	320001-	269001-	
90	IKS-4010	PIN And Chip, Converter	1	320001-	269001-	
91	IKS-4011	LEVER And Seat Assembly, Converter Valve	1	320001-	269001-	
92	IK-4012	PERCH, Converter High Pressure Lever 909233 Screw, No. 8 - 32 x 1/4 Mach	1	320001-	269001-	
93			2			
94	IK-4013	PIN, Connector Lever Perch	1	320001-	269001-	
95	IK-4014	LEVER, Converter	1	320001-	269001-	
96	IK-4015	DIAPHRAGM, Converter - Small	1	320001-	269001-	
97	IK-4016	PLATE, Converter Small Diaphragm	1	320001-	269001-	
98	IK-4017	LINK And Nut, Converter	1	320001-	269001-	
99	IK-4018	SPRING, Converter Small Diaphragm	1	320001-	269001-	
100	IK-4019	COVER, Converter Small Diaphragm S-2583 Screw, No. 10 - 24 x 1/2 Mach	1	320001-	269001-	
101			4			
102	IK-4020	GASKET, Converter Large Diaphragm Backing	1	320001-	269001-	
103	IK-4021	DIAPHRAGM, Converter - Large	1	320001-	269001-	
104	IK-4022	PLATE, Converter Large Diaphragm - Large	1	320001-	269001-	
105	IK-4023	PLATE, Converter Large Diaphragm - Small	1	320001-	269001-	
106	IK-4024	NUT, Converter Large Diaphragm	1	320001-	269001-	
107	IK-4025	BUTTON, Converter Large Diaphragm	1	320001-	269001-	
108	IK-4026	CASTING, Converter Cover S-2583 Screw, No. 10 - 24 x 1/2 Mach	1	320001-	269001-	
109			8			
110	IKS-4027	SOLENOID Assembly, Converter S-2582 Screw, No. 10 - 24 x 3/8 Mach	1	320001-	269001-	
111			2			
112	IK-4041	HORN, Carburetor Air - 1-1/4"	1	320001-	269001-	
113		S-2583 Screw, No. 10 - 24 x 1/2 Mach	4			
114	IK-4042	CASTING, Carburetor Body - 1-1/4"	1	320001-	269001-	
115	IK-4043	SHAFT And Stop, Carburetor Throttle	1	320001-	269001-	

LP GAS EQUIPMENT

Ref. No.	Part Number	Description	No. Req.	Flow Crop Setal Number	Standard Setal Number	Industrial Setal Number
116	IK-4044	PLATE, Carburetor Throttle S-2585 Screw, No. 6 - 32 x 1/4 Mach	1	320001-	269001-	
117			2			
118	IK-4045	LEVER, Carburetor Throttle	1	320001-	269001-	
119	IK-4046	LEVER, Carburetor Valve	1	320001-	269001-	
120	IK-4047	LEVER, Carburetor Valve - Throttle End	1	320001-	269001-	
121	IK-4048	VALVE And Housing Assembly, Carburetor - 1-1/4"	1	320001-	269001-	
122		S-2583 Screw, No. 10 - 24 x 1/2 Mach	4			
123	IK-4049	SCREW, Carburetor Throttle Lever and Valve Lever Pin	2	320001-	269001-	
124	IK-4050	BAR, Carburetor Spring	1	320001-	269001-	
125		S-2582 Screw, No. 10 - 24 x 3/8 Mach	1			
126	IK-4051	LINK, Carburetor Drag - 1-1/4"	1	320001-	269001-	
127	IK-4071	CASE And Coll, Fuelock	1	320001-	269001-	
128	IK-4072	PLUNGER And Seat, Fuelock	1	320001-	269001-	
129	IK-4073	SPRING, Fuelock	1	320001-	269001-	
130	IK-4074	GASKET, Fuelock	1	320001-	269001-	
131	IK-4075	NUT, Fuelock Top	1	320001-	269001-	
132	IK-4076	BODY, Fuelock Bms s	1	320001-	269001-	
133	IK-4085	CASTING, Strainer Top	1	320001-	269001-	
134		S-2583 Screw, No. 10 - 24 x 1/2 Mach	6			
135	IK-4086	PACK, Strainer Filter	1	320001-	269001-	
136	IK-4087	BODY, Strainer (Order IKS-1923)	1	320001-	269001-	
137		S-1920 Plug, 1/8 Hdless Slotted Pipe	1			
138	IK-4088	GASKET, Strainer	1	320001-	269001-	
139	IB-7371	FUSE - 20 Ampere	2	320001-	269001-	

