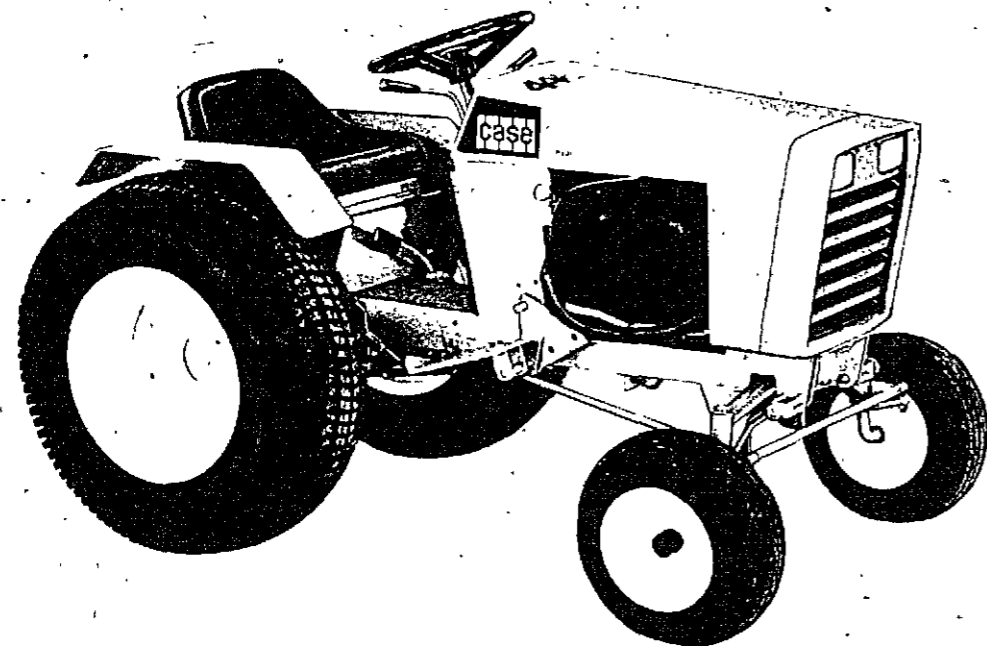
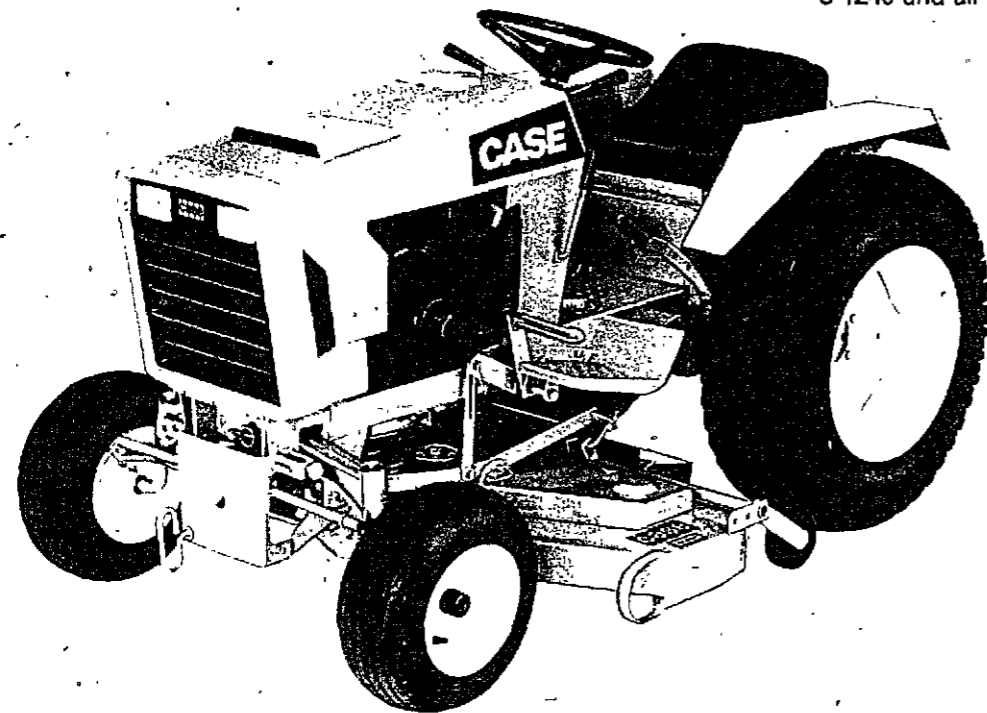


**COMPACT TRACTORS**  
 446 P.I.N. 9770165 to 14041700  
 448 P.I.N. 9774000 to 14044240  
 Parts Catalog No. 8-1242

NOTE: This catalog replaces catalog  
 8-1240 and all revisions



**ALPHABETICAL INDEX**

**ENGINE SECTION**

	PAGE	GRID		PAGE	GRID
Air Filter .....	5	A6	Exhaust System .....	20	B8
Baffles and Shields .....	17-21	B4-B8	Fan .....	27	B14
Battery .....	59	E4	Flywheel, Engine .....	9	A10
Camshaft .....	9	A10	Fuel System .....	5-23	A6-B10
Carburetor .....	5-7	A6-A8	Governor .....	15-17	B2-B4
Choke and Throttle .....	23	B10	Housing, Blower .....	17	B4
Clutch, PTO .....	27	B14	Oil Pump .....	15	B2
Crankshaft .....	9	A10	Oil Sump .....	15	B2
Electrical System .....	19-59	B6-E4	Pistons and Connecting Rods ..	9	A10
Engine Block .....	11-13	A12-14	Starter Motor .....	17	B4

**BASIC TRACTOR SECTION**

	PAGE	GRID		PAGE	GRID
Axle, Front .....	33	C6	Valve, Hydraulic .....	49-53	D8-D12
Axle, Rear .....	55	D14	F27 Three Point Hitch Adapter ..	67	E12
Baffles & Heat Shields .....	17-21-43	B4-B8-D2	H13 Weight Box .....	73	F4
Brakes .....	37	C10	H18 Counterweight Brackets ..	73	F4
Clutch Assembly, PTO .....	27	B14	Instruments .....	59	E4
Control, Speed .....	41	C14	J26 Three Point Hitch .....	65-67	E10-E12
Decals .....	63	E8	K10 Wheel Weights .....	71	F2
Electrical System .....	19-61	B6-E6	K24 Sleeve Hitch .....	69	E14
Fenders .....	31	C4	L11 Weight Kit .....	81	F12
Frame .....	29	C2	L17 Hydraulic PTO Kit .....	75-77	F6-F8
Grille .....	29	C2	L29 PTO .....	83	F14
Hitch .....	49	D8	Lift, Implement, Hydraulic .....	57	E2
Hood .....	29	C2	M9 Holding Valve .....	81	F12
Hydraulics .....	39-53	C12-D12	M19 Flow Control Kit .....	79	F10
Coupling, Pump Drive .....	39-45	C12-D4	PTO Linkage .....	25	B12
Heat Exchanger Mounting .....	47	D6	Seat, Operator's .....	31	C4
Hoses, Lines and Fittings .....	39	C12	Steering Wheel & Gear .....	35	C8
Motor, Hydraulic Drive .....	39-41	C12-C14	Tool Box .....	31	C4
Pump .....	39-45	C12-D4	Transmission .....	55	D14
			Wheels, Front and Rear .....	37	C10

## GENERAL INFORMATION

### INDEX

There is an index at the front and rear of this catalog.

The front index is an alphabetical index of the major groups or assemblies.

The rear index is a numerical index of the part numbers and pages on which these numbers are shown.

### ILLUSTRATION

Each illustration in this catalog shows a group of parts or components. These parts and components are aligned approximately as the parts and components on your machine. Each part and component in an illustration has a reference number. These reference numbers are in a list on the page opposite of the illustration. Next to the reference number is the part number, description and required quantity of the part shown in the illustration.

### ABBREVIATIONS

UAR - "Use as required" indicates that the part quantity is variable.

NSS - "Not sold separately" indicates that the part is only available as a component of an assembly or the part must be purchased locally. If the part is an assembly component, the description will be indented under the assembly description in the parts list.

### INDENTED DESCRIPTIONS

An assembly can have many components. The components of an assembly are indicated by an indented description. The quantity for an indented part is the total needed for that complete assembly. See the example.

### PARTS ORDERS

All orders must include the following information:

1. Correct part number.
2. Complete description of part or component.
3. Total quantity of each part or component.
4. Product model number.
5. All necessary product identification numbers.
6. Method for sending the parts.
7. Complete and correct address.

### CATALOG REVISIONS

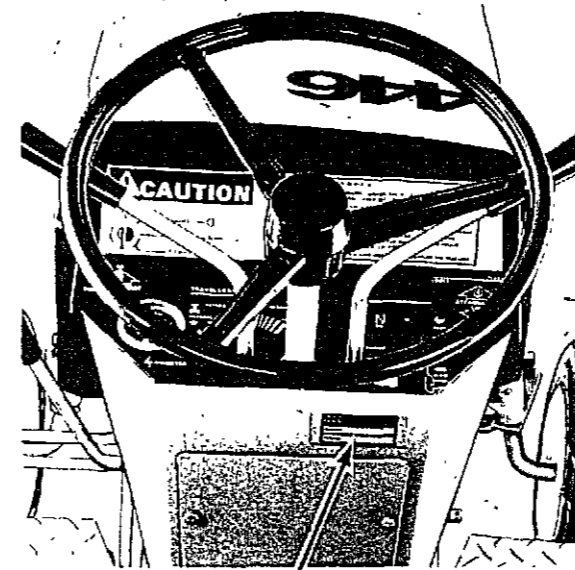
As the product changes, we will send you new pages for your catalog.

**IMPORTANT:** Put all revisions into the catalog as soon as possible.

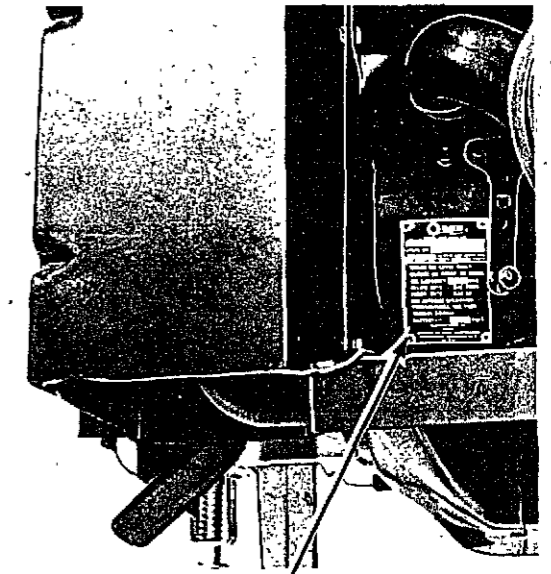
### RIGHT HAND AND LEFT HAND IDENTIFICATION

The words right hand (RH) and left hand (LH) as used in this catalog indicate the direction while you are in the operator's seat in the normal operating position.

## CASE 446 AND 448 COMPACT TRACTOR



TRACTOR MODEL AND P.I.N. NUMBER



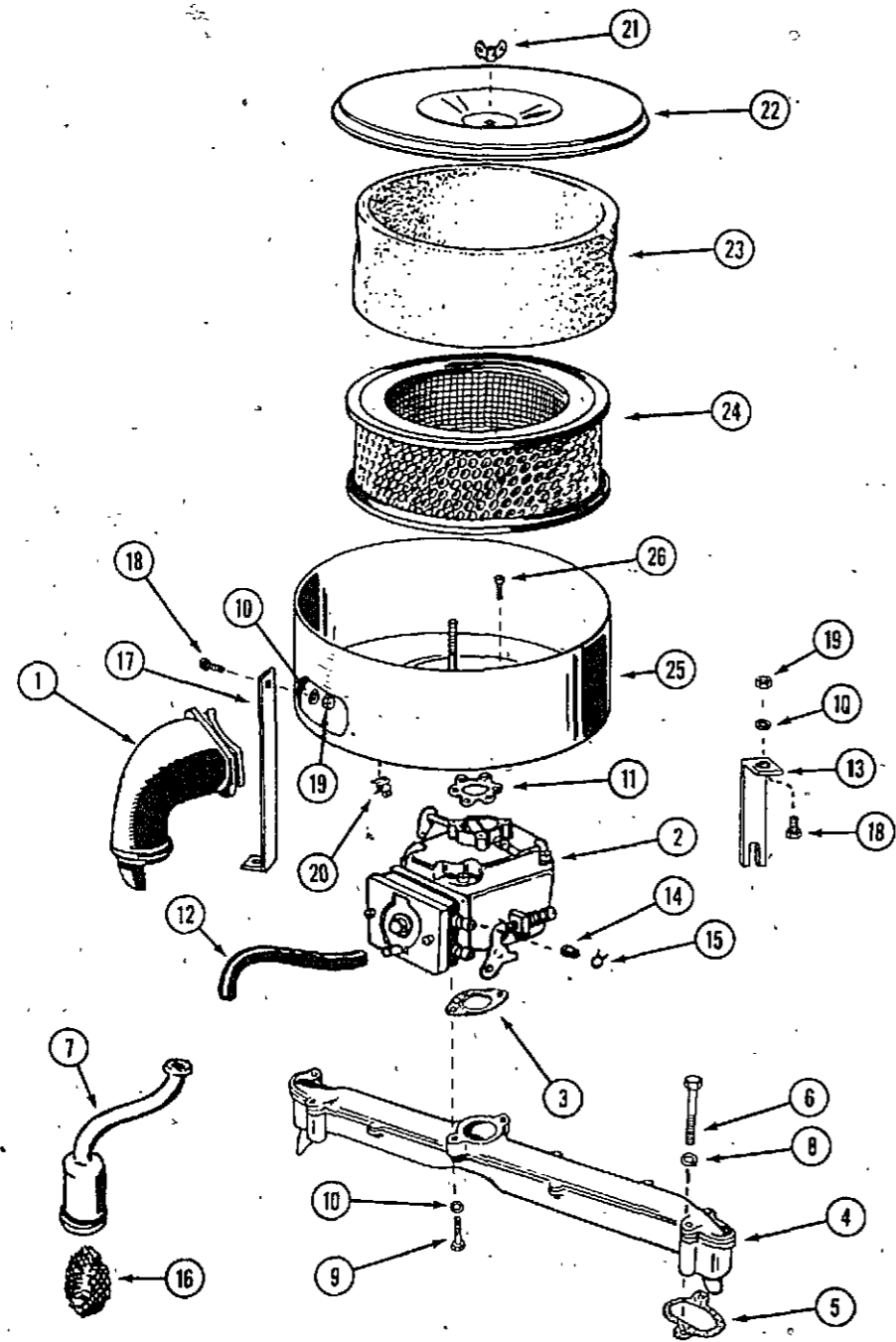
ENGINE MODEL, SERIAL AND SPECIFICATION NUMBERS

TRACTOR MODEL	ENGINE MODEL
446 TRACTOR	ONAN B43M - GAO16 C24787 ENGINE SPEC. NO. 3419A, 3552A AND 3622A
448 TRACTOR	ONAN B48M - GAO18 C25262 ENGINE SPEC. NO. 3631A

REF.	PART NO.	DESCRIPTION	REQ'D
	A 55159	CYLINDER ASSY - rear steering	1
28	A 56208	SOCKET ASSY - rear cylinder	1
29	A 55956	PLUG - adjusting, socket assy	1
30	A 55957	SEAT - socket ball	2
31	A 56210	SPRING - socket	1
32	A 56209	SEAT - socket spring	1
33	G 45175	CLAMP ASSY - socket assy	1
	16- 836	BOLT - 1/2" x 2-1/4" N.F. hex.	1
34	132- 104	PIN - cotter, 3/16" x 3"	1
35	A 55889	STUD - ball, socket & cylinder	2
36	13- 410	BOLT - 1/4" x 5/8" N.C., hex.	4
37	92- 4	LOCKWASHER - 1/4" SAE	4

### PRODUCT IDENTIFICATION NUMBER (P.I.N.)

While you use this catalog you will see a P.I.N. in the description of some parts. This P.I.N. means that the part indicated can be used only according to the instructions.

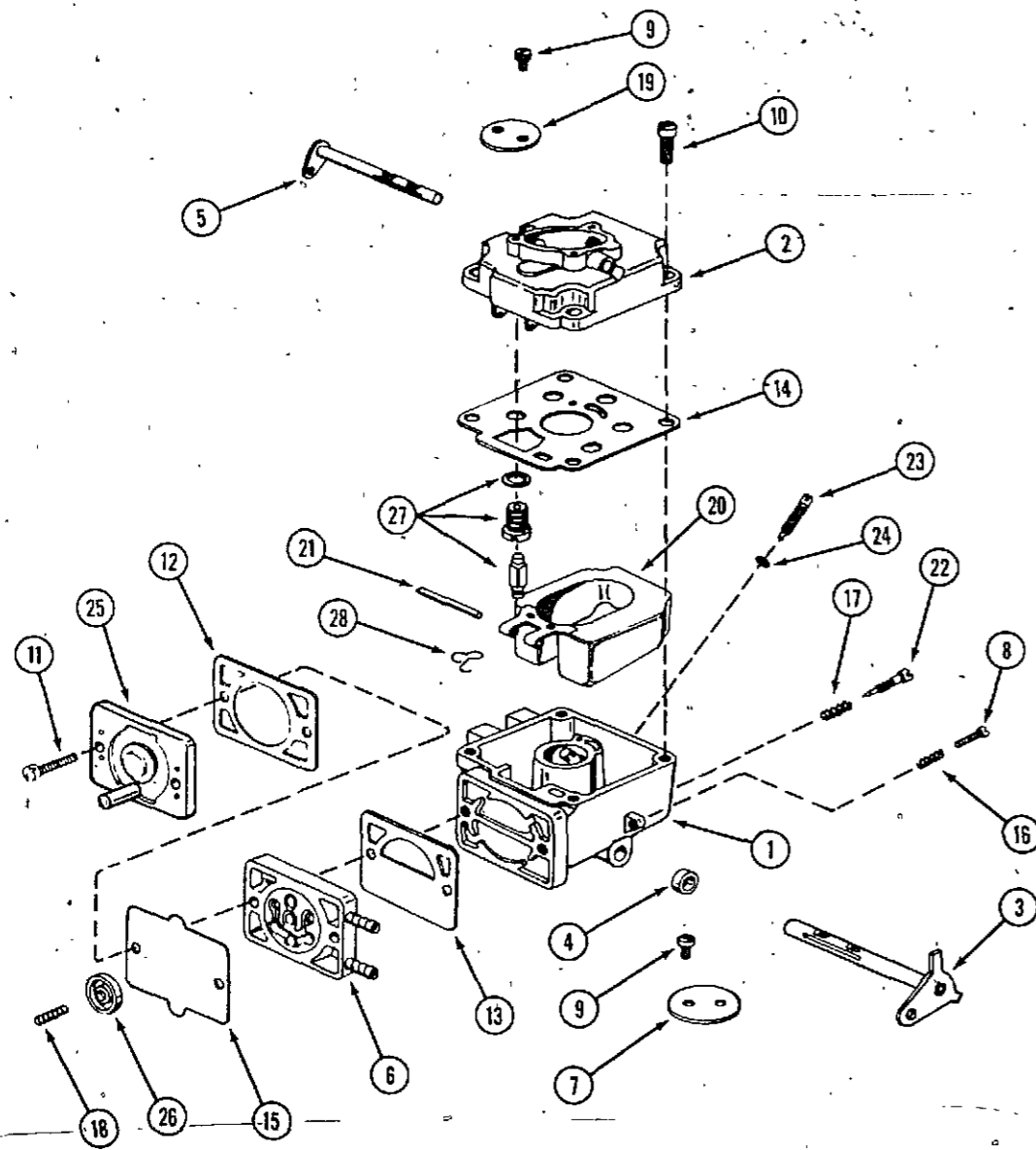


CASE MODELS 446 AND 448 COMPACT TRACTORS

CARBURETOR, AIR FILTER AND MANIFOLD

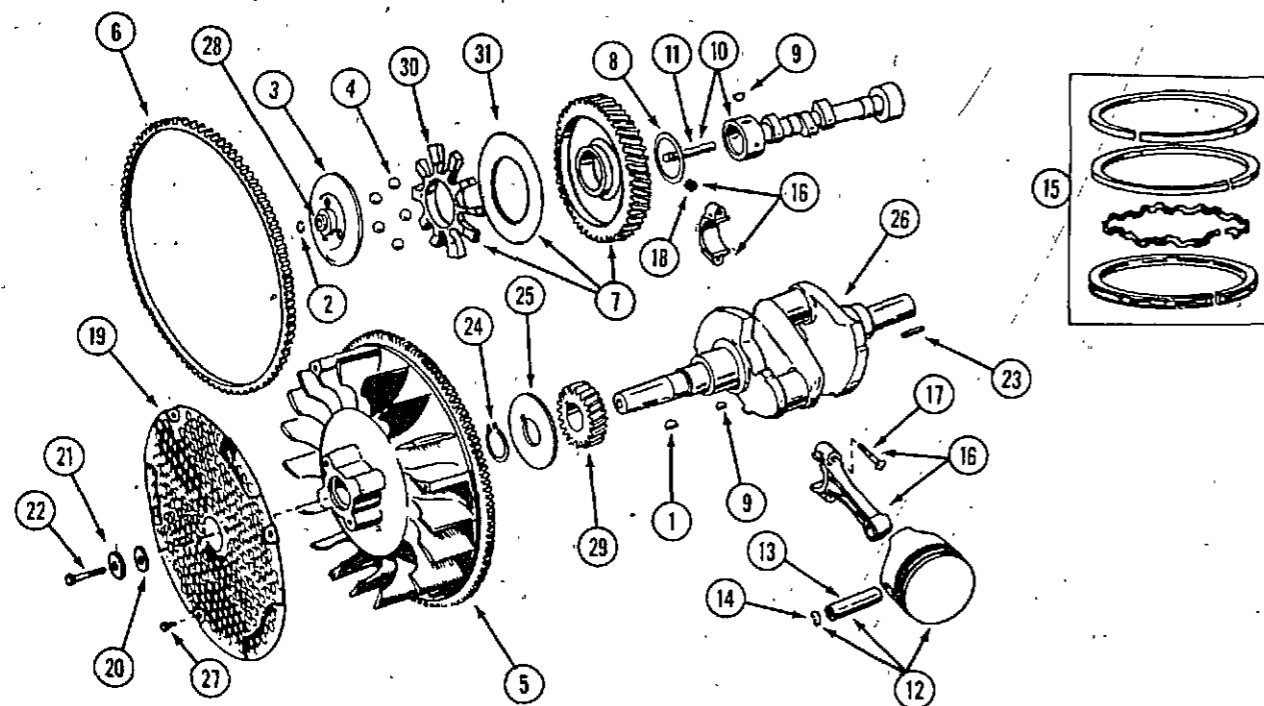
REF.	PART NO.	DESCRIPTION	REQ'D
1	C 20387	TUBE - air intake	1
2	C 27507	CARBURETOR AND FUEL PUMP ASSEMBLY (repairs page 7)	1
3	C 20389	GASKET - carburetor mounting	1
4	C 28720	MANIFOLD - engine intake	1
5	C 26202	GASKET - intake manifold	2
6	113- 121	BOLT - manifold 5/16" x 2"	4
7	C 24927	HOSE - breather	1
8	192- 20	LOCK WASHER - 5/16"	4
9	113- 65	BOLT - 1/4" x 1-3/4" N.C. hex	2
10	192- 19	LOCK WASHER - 1/4"	3
11	C 20396	GASKET - air cleaner mounting	1
12	C 23300	HOSE - fuel pump	1
13	C 24929	BRACKET - support	1
14	C 20411	CAP - fuel pump	1
15	214- 102	CLAMP - hose 7/16"	1
16	C 29948	FILTER - breather	1
17	C 20393	SUPPORT - air cleaner	1
18	13- 48	BOLT - 1/4" x 1/2" N.C. hex	1
19	129- 101	NUT - 1/4" N.C. hex	1
20	C 20407	RETAINER - choke cable	2
21	C 26703	NUT - wing 1/4"	1
22	C 20399	COVER - air cleaner	1
23	C 20405	PRECLEANER	1
24	C 20398	ELEMENT - air cleaner	1
25	C 20397	HOUSING - air cleaner	1
26	182- 525	SCREW - No. 10 x 3/8" round head	3
	C 22947	TIE - breather tube	1

C27507 CARBURETOR AND FUEL PUMP ASSEMBLY

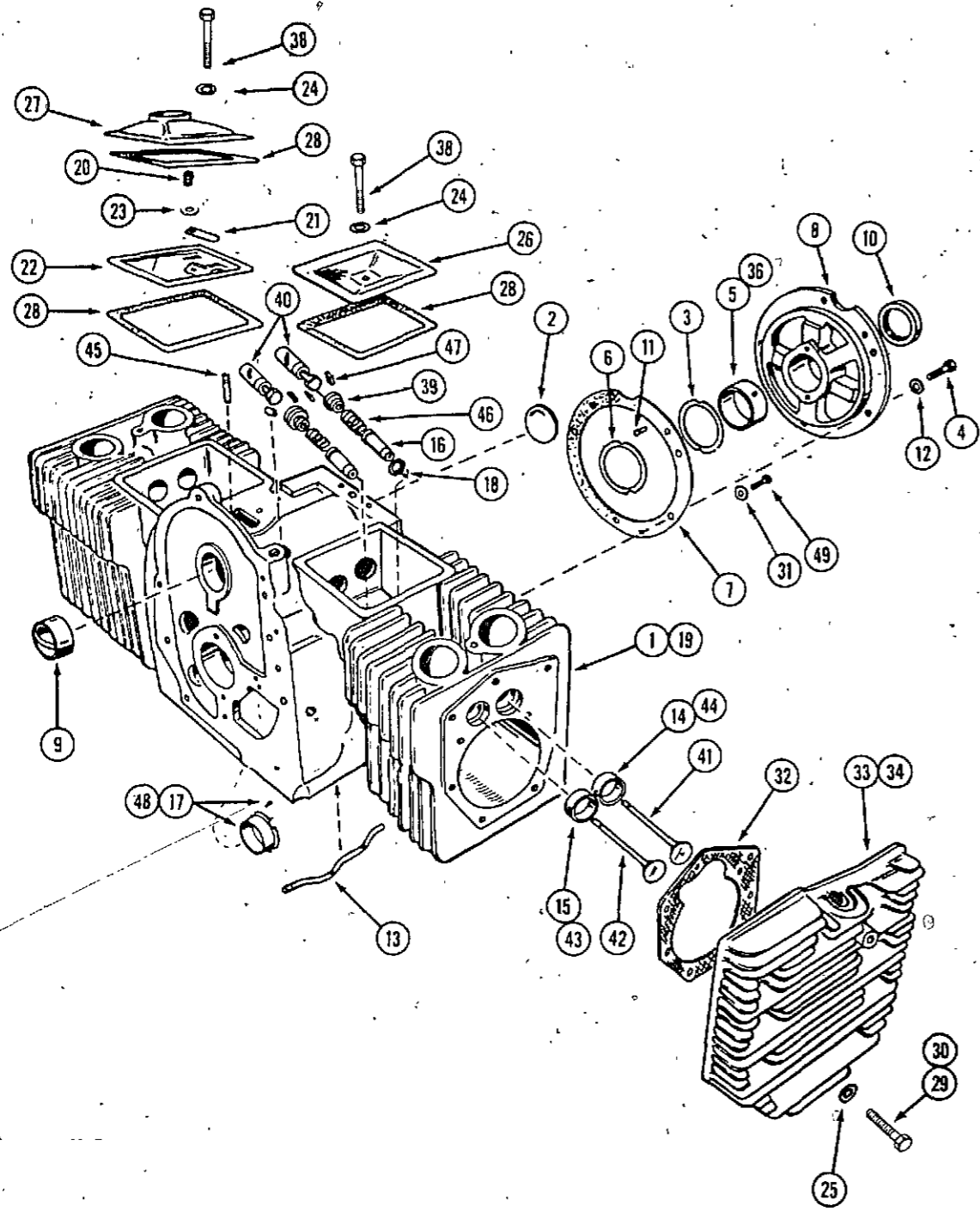


REF.	PART NO.	DESCRIPTION	REQ'D
1	NSS	BODY ASSEMBLY - carburetor (order C27507, carburetor)	1
2	NSS	SLEEVE ASSEMBLY - carburetor (order C27507 carburetor)	1
3	C 20425	SHAFT - throttle (See kit below)	1
4	C 20426	PACKING - shaft (See kit below)	1
5	C 20427	SHAFT - choke	1
6	C 20428	VALVE - plate assembly (See kit below)	1
7	C 20429	PLATE - throttle	1
8	C 20430	SCREW - throttle stop	1
9	C 20431	SCREW - plate mounting (See kit below)	4
10	C 20432	SCREW - bowl cover mounting	4
11	C 20433	SCREW - pump cover	2
12	C 20434	GASKET - cover to valve plate (See kit below)	1
13	C 20435	GASKET - pump cover (See kit below)	1
14	C 20436	GASKET - sleeve assembly (See kit below)	1
15	C 20437	DIAPHRAGM - fuel pump (See kit below)	1
16	C 20438	SPRING - screw, throttle stop	1
17	C 20439	SPRING - idle needle (See kit below)	1
18	C 20440	SPRING - diaphragm, fuel pump (See kit below)	1
19	C 20441	PLATE - choke	1
20	C 27506	FLOAT ASSEMBLY - carburetor	1
21	C 20443	PIN - float (See kit below)	1
22	C 20444	NEEDLE - idle adjust (See kit below)	1
23	C 20445	NEEDLE ASSEMBLY - power	1
24	C 20446	"O" RING - needle assembly (See kit below)	1
25	C 20447	COVER - fuel pump	1
26	C 20448	PLATE - spring, fuel pump (See kit below)	2
27	C 20449	INLET - needle and seat assembly	1
28	C 20450	RETAINER - float pin	1
	C 24665	KIT - gasket (includes items 4, 12, 13, 14, 15 and 24)	1
	C 24666	KIT - repair (includes items 3, 6, 9, 17, 18, 21, 22, 26, 27 and gasket kit)	1

PISTON, CRANKSHAFT, FLYWHEEL AND CAMSHAFT



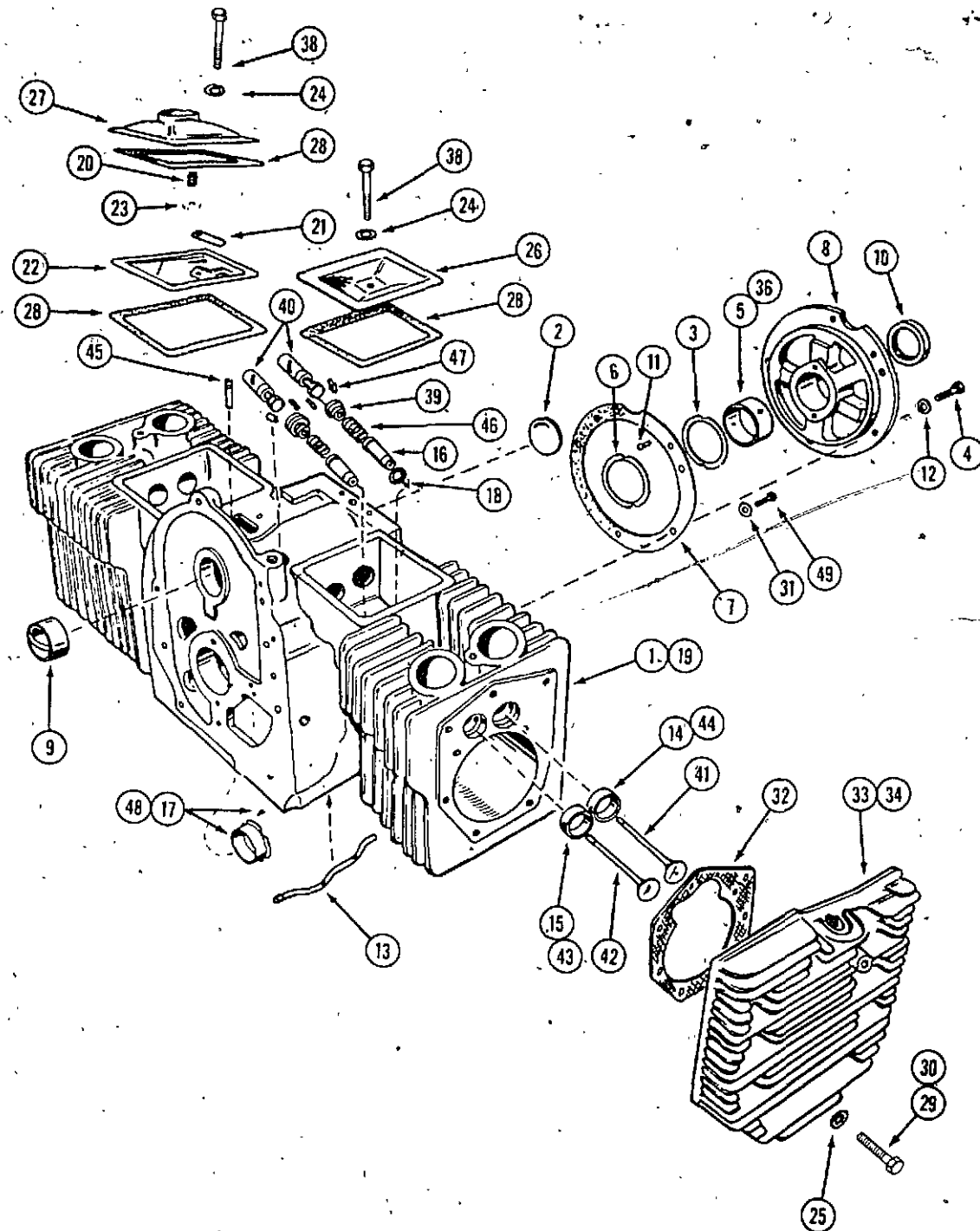
REF.	PART NO.	DESCRIPTION	REQ'D
1	126- 13	KEY - woodruff 3/16" x 5/8", flywheel mounting	1
2	C 20223	RING - camshaft center pin	1
3	C 24326	CUP - governor	1
4	211- 216	BALL - governor	5
5	C 24943	FLYWHEEL - engine (includes ring gear and magnet ring)	1
6	C 20226	GEAR - ring, flywheel	1
7	C 22261	GEAR ASSEMBLY - camshaft (includes items 30 and 31)	1
8	C 20229	WASHER - thrust, camshaft gear	1
9	126- 9	KEY - woodruff 1/8" x 1/2" (0.13 x 12.7 mm)	2
10	C 23304	CAMSHAFT - (includes C20233 pin)	1
11	C 20233	PIN - camshaft center	1
12	C 24931	PISTON AND PIN - standard (includes item 14)	2
12	C 24932	PISTON AND PIN - .005" oversize (includes item 14) (0.13 mm)	2
12	C 24933	PISTON AND PIN - .010" oversize (includes item 14) (0.25 mm)	2
12	C 24934	PISTON AND PIN - .020" oversize (includes item 14) (0.51 mm)	2
12	C 24935	PISTON AND PIN - .030" oversize (includes item 14) (0.76 mm)	2
12	C 24936	PISTON AND PIN - .040" oversize (includes item 14) (1.02 mm)	2
13	C 29972	PIN - piston	2
14	C 20241	RETAINER - piston pin	4
15	C 29739	RING SET - piston (standard)	2
15	C 24938	RING SET - piston (.005" oversize) (0.13 mm)	2
15	C 24939	RING SET - piston (.010" oversize) (0.25 mm)	2
15	C 24940	RING SET - piston (.020" oversize) (0.51 mm)	2
15	C 24941	RING SET - piston (.030" oversize) (0.76 mm)	2
15	C 24942	RING SET - piston (.040" oversize) (1.02 mm)	2
16	C 20202	CONNECTING ROD ASSEMBLY - (standard) includes 17 and 18 (446)	2
16	C 20203	CONNECTING ROD ASSEMBLY - (.010" undersize) (0.25 mm) 446	2
16	C 20204	CONNECTING ROD ASSEMBLY - (.020" undersize) (0.51 mm) 446	2
16	C 20205	CONNECTING ROD ASSEMBLY - (.030" undersize) (0.76 mm) 446	2
16	C 25383	CONNECTING ROD ASSEMBLY - (standard) 448	2
16	C 25384	CONNECTING ROD ASSEMBLY - (.010" undersize) (0.25 mm) 448	2
16	C 25385	CONNECTING ROD ASSEMBLY - (.020" undersize) (0.51 mm) 448	2
16	C 25386	CONNECTING ROD ASSEMBLY - (.030" undersize) (0.76 mm) 448	2
17	C 25774	BOLT - connecting rod, special 5/16" N.F. hex	4
18	C 25775	NUT - lock, connecting rod 5/16" N.F.	4
19	C 20215	SCREEN - flywheel	1
20	C 20303	WASHER - 7/16" flywheel mounting	1
21	92- 7	LOCK WASHER - 7/16"	1
22	113- 321	BOLT - 7/16" x 4" N.C. hex, flywheel mounting	1
23	C 28315	KEY - square, 1/4" x 2", rear crankshaft (6.35 x 50.8 mm)	1
24	C 20218	RETAINER - crankshaft gear	1
25	C 20219	WASHER - retaining, crankshaft gear	1
26	C 22500	CRANKSHAFT - engine(446)	1
26	C 25776	CRANKSHAFT - engine (448)	1
27	182- 547	SCREW - locking 1/4" x 1/2" N.C. hex	3
28	C 24325	HUB - governor cup	2
29	C 22262	GEAR - crankshaft	1
30	C 29973	SPACER - governor ball	1
31	C 22264	PLATE - governor ball	1



CASE MODELS 446 AND 448 COMPACT TRACTORS

ENGINE BLOCK AND ATTACHING PARTS

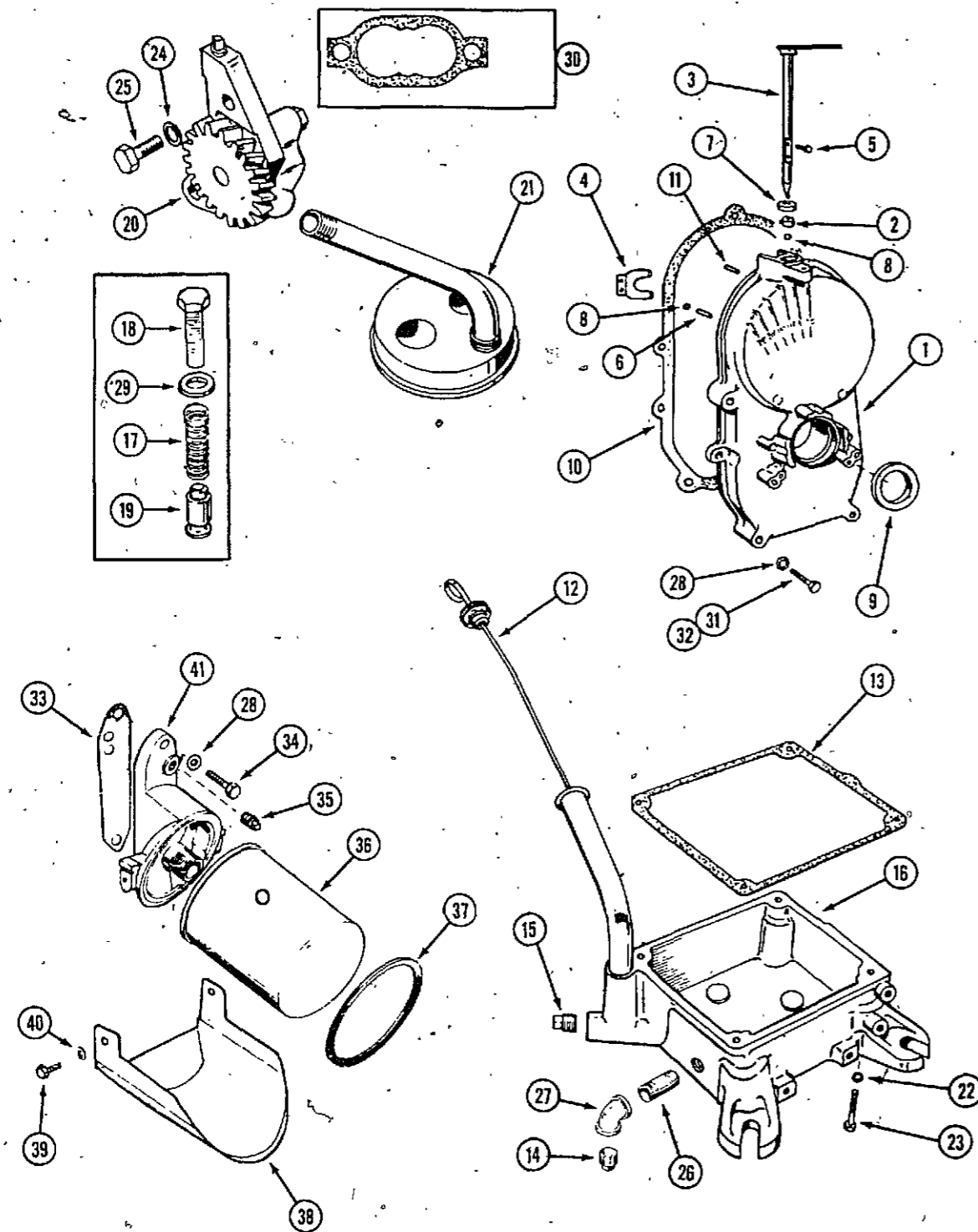
REF.	PART NO.	DESCRIPTION	REQ'D
1	C 25223	BLOCK ASSEMBLY - cylinder, standard bore	1
2	41- 26	PLUG - camshaft, expansion	1-
3	C 20256	SHIM - rear bearing plate (.005") (0.13 mm)	UAR
4	113- 208	BOLT - 3/8" x 1-1/4" N.C. hex	5
5	C 22618	BEARING - crankshaft, rear (standard)	1
6	C 20267	WASHER - thrust, crankshaft bearing	2
7	C 20268	GASKET - bearing plate	1
8	C 20269	PLATE - bearing (does not include bearings)	1
9	C 20270	BEARING - camshaft 3/4" (service part is 5/16" wide)	2
10	C 20271	SEAL - bearing plate	1
11	C 20272	PIN - main bearing stop	4
12	192- 21	LOCK WASHER - 3/8" bearing plate	5
13	C 24946	TUBE - oil, crankcase	1
14	C 20287	INSERT - valve seat, intake	2
15	C 29974	INSERT - valve seat, exhaust	2
16	C 20292	GUIDE - valve	4
17	C 20295	BEARING - crankshaft front (standard)	1
18	C 20302	GASKET - valve guide, intake	2
19	C 24947	BLOCK ASSEMBLY - short (446) (includes: cylinder and crankcase, all bearings, crankshaft, camshaft, timing gear, governor gear case, connecting rods, pistons, piston rings, valves, oil pump and breather tube)	1
19	C 25777	BLOCK ASSEMBLY - short (448) (includes: cylinder and crankcase, all bearings, crankshaft, camshaft, timing gear, governor gear case, connecting rods, pistons, piston rings, valves, oil pump and breather tube)	1
20	C 20243	SPRING - breather valve	1
21	C 20244	VALVE - breather	1
22	C 20245	BAFFLE - breather	1
23	195- 2010	WASHER - 1/4"	1
24	C 20247	WASHER - 1/4" copper	2
25	C 20248	WASHER - 5/16"	18
26	C 20250	COVER - valve	1
27	C 24948	COVER - valve (with breather port)	1
28	C 20251	GASKET - valve cover	3
29	26- 532	BOLT - head, 5/16" - 18 x 2"	6
30	26- 526	BOLT - head, 5/16" - 18 x 1-5/8"	12
31	C 20574	WASHER - copper 3/8"	2
32	C 26201	GASKET - cylinder head	2
33	C 24949	HEAD - L.H. No. 2	1
34	C 24950	HEAD - R.H. No. 1	1
36	C 22619	BEARING - crankshaft, rear (.002" undersize) (0.05 mm)	1
36	C 22620	BEARING - crankshaft, rear (.010" undersize) (0.25 mm)	1
36	C 22621	BEARING - crankshaft, rear (.020" undersize) (0.51 mm)	1
36	C 22622	BEARING - crankshaft, rear (.030" undersize) (0.76 mm)	1
38	113- 132	BOLT - valve cover 1/4" x 1-3/4" hex	2
39	C 20517	RETAINER - valve spring (rotator service part for 446)	4
40	C 20276	TAPPET - valve (standard)	4
40	C 20470	TAPPET - valve (.001" oversize) (0.025 mm)	4



CASE MODEL 446 AND 448 COMPACT TRACTOR

ENGINE BLOCK AND ATTACHING PARTS

REF.	PART NO.	DESCRIPTION	REQ'D
40	C 20471	TAPPET - valve (.002" oversize) (0.05 mm)	4
40	C 20277	TAPPET - valve (.005" oversize) (0.13 mm)	4
41	C 26145	VALVE - intake	2
42	C 26146	VALVE - exhaust	2
43	C 20283	INSERT - valve seat, exhaust (.002" oversize) (0.05 mm)	2
43	C 29976	INSERT - valve seat, exhaust (.005" oversize) (0.13 mm)	2
43	C 20285	INSERT - valve seat, exhaust (.010" oversize) (0.25 mm)	2
43	C 29978	INSERT - valve seat, exhaust (.025" oversize) (0.64 mm)	2
44	C 20288	INSERT - valve seat, intake (.002" oversize) (0.05 mm)	2
44	C 20289	INSERT - valve seat, intake (.005" oversize) (0.13 mm)	2
44	C 20290	INSERT - valve seat, intake (.010" oversize) (0.25 mm)	2
44	C 20291	INSERT - valve seat, intake (.025" oversize) (0.64 mm)	2
45	C 20412	TUBE - fuel pump vacuum	1
46	C 20293	SPRING - valve	4
47	C 20294	LOCK - valve and spring	8
48	C 20296	BEARING - crankshaft, front (.002" undersize) (0.05 mm)	1
48	C 20297	BEARING - crankshaft, front (.010" undersize) (0.25 mm)	1
48	C 20298	BEARING - crankshaft, front (.020" undersize) (0.51 mm)	1
48	C 20299	BEARING - crankshaft, front (.030" undersize) (0.76 mm)	1
49	113- 204	BOLT - 3/8" x 1/2" N.C. hex.	2
	C 28721	KIT - gasket, engine	1
	C 25225	KIT - gasket, carbon removal (includes: valve cover gaskets, cylinder head gaskets, and intake manifold gaskets)	1

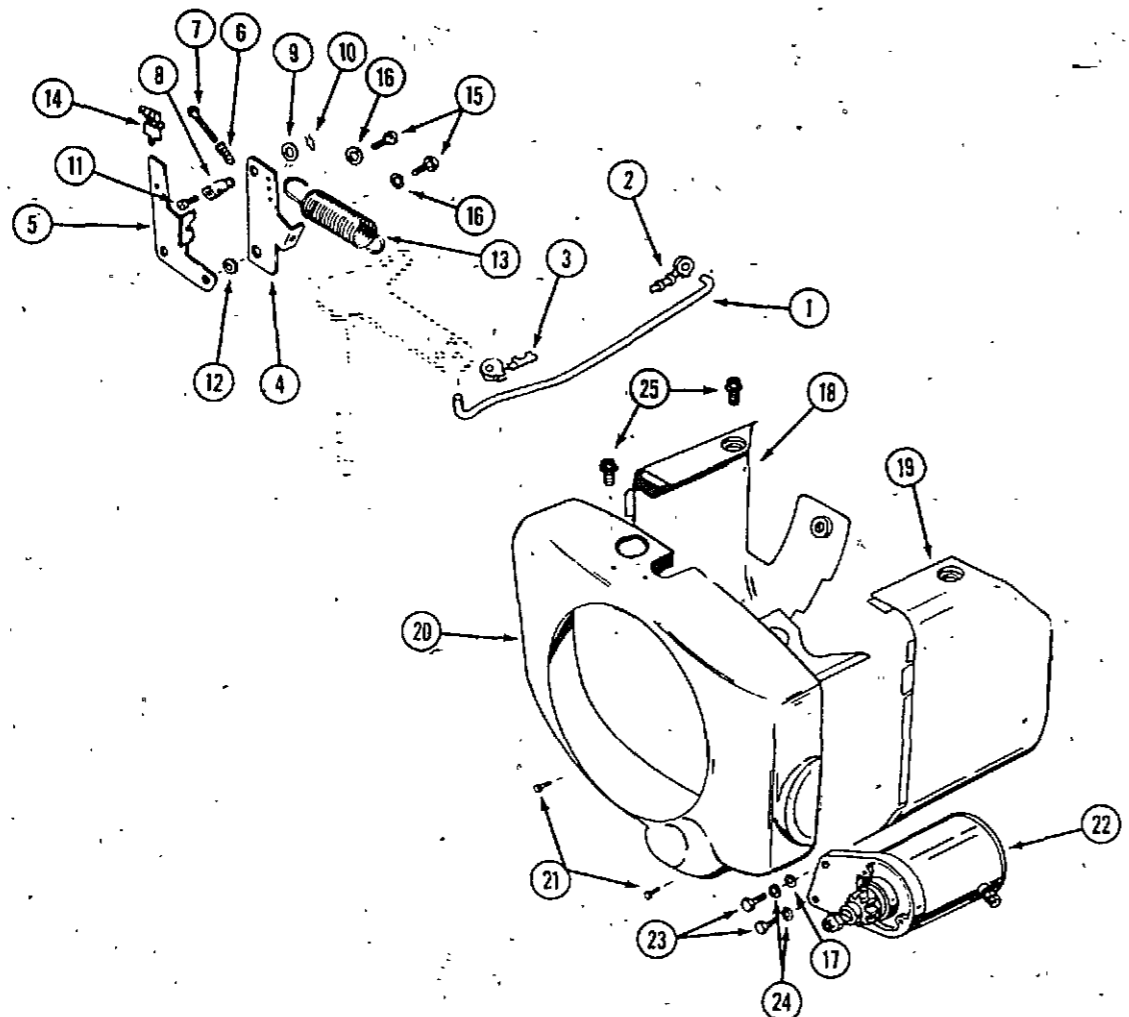


CASE MODELS 446 AND 448 COMPACT TRACTORS

OIL SUMP, OIL PUMP AND GEAR COVER

REF.	PART NO.	DESCRIPTION	REQ'D
1	C 22631	COVER ASSEMBLY - gear	1
2	C 20305	BEARING - governor shaft	1
3	C 22632	SHAFT AND ARM ASSEMBLY - governor	1
4	C 20307	YOKE - governor shaft	1
5	182- 84	SCREW - yoke retaining	2
6	C 20309	PIN - governor, cup stop	1
7	C 20310	SEAL - oil, governor shaft	1
8	211- 5	BALL - governor shaft bearing	2
9	C 20312	SEAL - gear cover	1
10	C 20313	GASKET - gear cover	1
11	C 23320	PIN - gear cover 5/16" x 1-1/8"	2
12	C 24958	DIPSTICK - oil level indicator	1
13	C 29984	GASKET - oil pan	1
14	NSS	PLUG - oil sump, 1/2" square head (use 221-844)	1
15	221- 844	PLUG - oil sump, 1/2" socket head	1
16	C 22633	SUMP - oil	1
17	C 20320	SPRING - oil bypass	1
18	114- 200	BOLT - oil bypass 3/8" x 1" N.C. hex	1
19	C 20322	VALVE - oil bypass	1
20	C 29734	PUMP - oil	1
21	C 23321	INTAKE - oil pump (includes cup, screen and pipe)	1
22	192- 21	LOCK WASHER - 3/8"	4
23	113- 257	BOLT - 3/8" x 2-1/2" N.C. hex	4
24	192- 19	LOCK WASHER - 1/4"	2
25	113- 4	BOLT - 1/4" x 1" N.C. hex	2
26	221- 1190	NIPPLE - oil drain	1
27	221- 1377	ELBOW - oil drain	1
28	C 20331	WASHER - 5/16" copper	7
29	C 20574	WASHER - 3/8" copper	1
30	C 20325	KIT - gasket, oil pump	1
31	113- 120	BOLT - 5/16" x 1-3/4"	4
32	26- 544	BOLT - 5/16" x 2-3/4"	1
33	C 20330	GASKET - oil filter adapter (448)	1
34	113- 103	SCREW - 5/16" - 18 x 1" (448)	2
35	221- 1849	PLUG - pipe (448)	1
36	C 26191	FILTER - oil (448)	1
37	C 20577	SEAL - oil filter (448)	1
38	C 25389	DRAIN - oil filter (448)	1
39	182- 525	SCREW - No. 10 - 32 x 3/8" (448)	2
40	192- 18	WASHER - No. 10 (448)	2
41	C 20565	ADAPTER - oil filter (448)	1



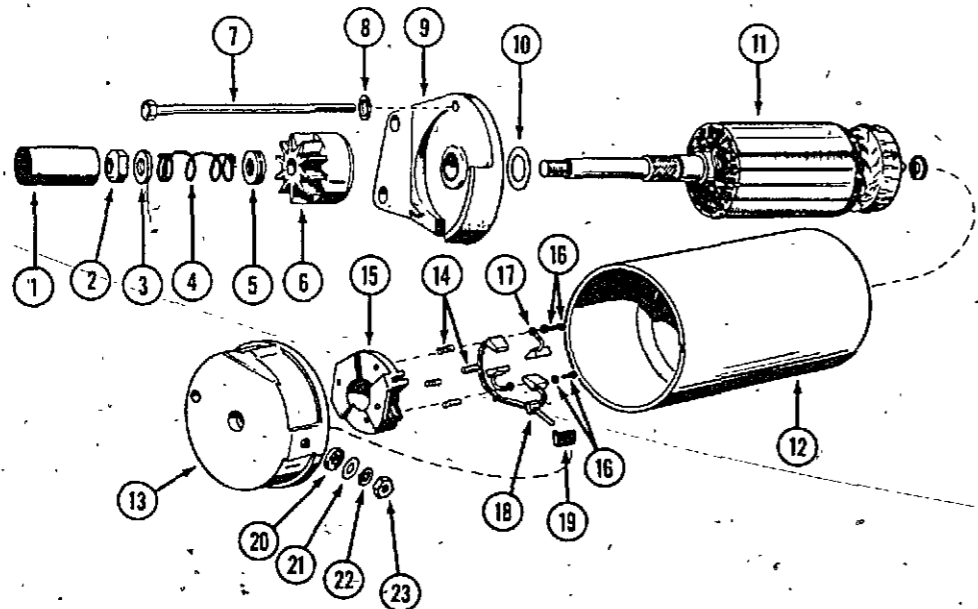


CASE MODELS 446 AND 448 COMPACT TRACTORS

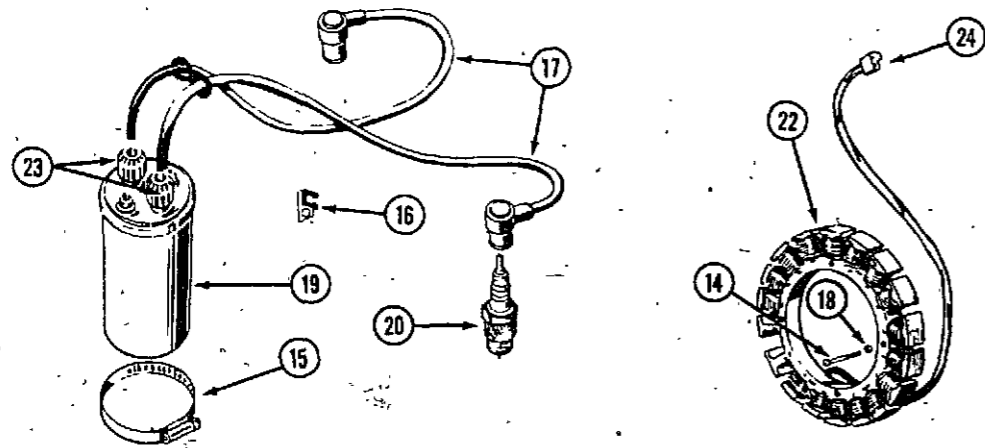
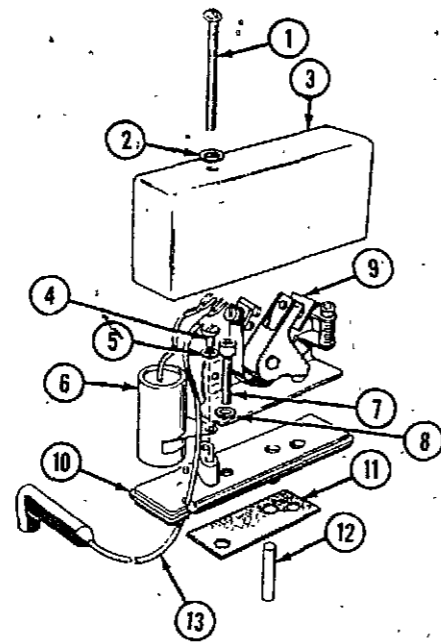
GOVERNOR AND BLOWER HOUSING

REF.	PART NO.	DESCRIPTION	REQ'D
1	C 20359	ROD - governor control	1
2	C 20360	RETAINER - governor control rod, carburetor end	1
3	C 20361	RETAINER - governor control rod, governor end	1
4	C 20369	ARM - governor control	1
5	C 28719	BRACKET - governor mounting	1
6	C 20371	SPRING - throttle lever adjust	1
7	182- 49	SCREW - No. 6 x 7/8" round head machine	1
8	C 20372	CLAMP - swivel, throttle	1
9	195- 14	WASHER - swivel clamp mounting	2
10	136- 2	PIN - cotter, swivel clamp mounting	1
11	169- 131	SCREW - No. 8 x 5/16", swivel clamp	1
12	C 20375	BUSHING - governor control	1
13	C 20376	SPRING - governor	1
14	NSS	RETAINER - throttle cable (use C29506, 187-1511)	1
15	121- 3	BOLT - 1/4" - 20 x 1/2"	2
17	195- 2027	WASHER - 5/16"	2
18	C 24951	BAFFLE - cylinder air, R.H.	1
19	C 24952	BAFFLE - cylinder air, L.H. (446) shown	1
19	C 25778	BAFFLE - cylinder air, L.H. (448)	1
20	C 25779	HOUSING - blower (448)	1
20	C 24953	HOUSING - blower (446) shown	1
21	163- 22	BOLT - 1/4" x 7/16" N.C. hex.	7
22	C 29733	MOTOR - starting, 12 volt (see below)	1
23	113- 103	BOLT - 5/16" x 1" N.C. hex, starter motor	2
24	192- 20	LOCK WASHER - 5/16"	2
25	187- 1147	BOLT	4

C29733 STARTER MOTOR



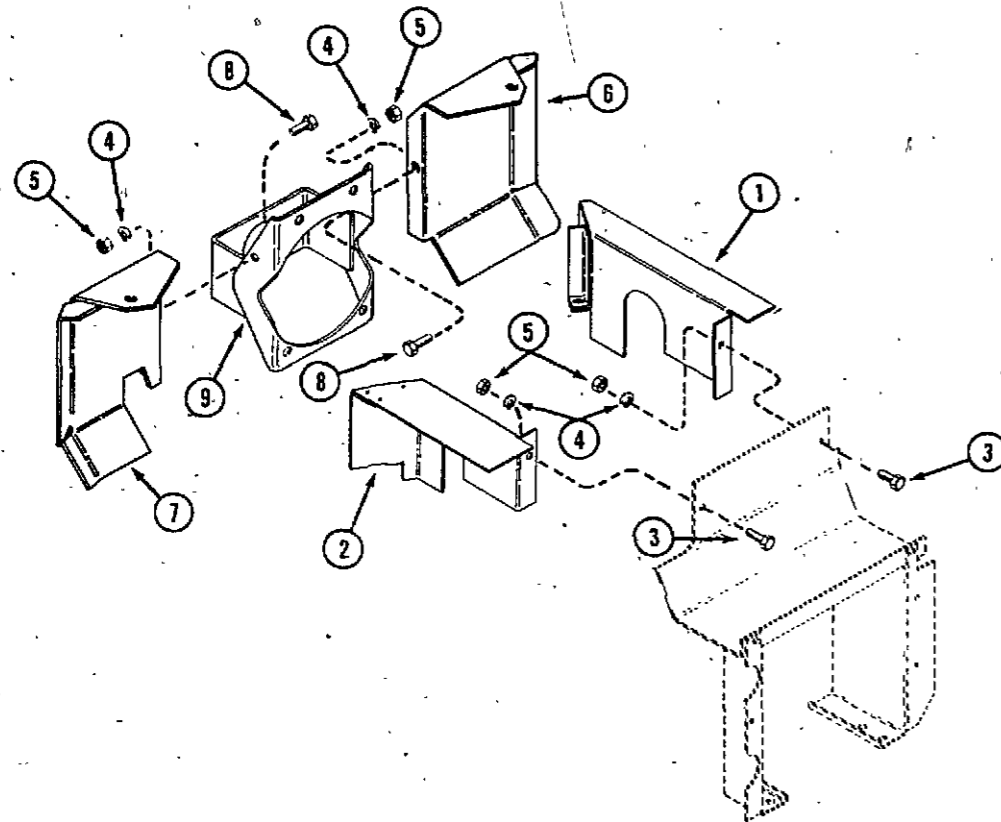
1	C 26508	KIT - dust cover	1
2	NSS	COVER - dust	1
3	NSS	NUT - stop	1
4	NSS	WASHER - stop nut	1
5	NSS	SPRING - tension	1
6	NSS	SPACER - dust cover	1
6	C 20274	DRIVE ASSEMBLY	1
7	C 20278	BOLT - through	2
8	192- 19	LOCK WASHER - through bolt	2
9	C 20333	CAP ASSEMBLY - drive end	1
10	C 20334	WASHER - thrust, armature	1
11	C 20335	ARMATURE - starter motor	1
12	NSS	HOUSING - starter, order C29733 starter	1
13	C 20336	CAP ASSEMBLY - commutator (includes items 14 through 23)	1
14	NSS	SPRING - brush	4
15	NSS	HOLDER - brush	1
16	NSS	SCREW AND LOCK WASHER - brush mounting	2
17	NSS	BRUSH - ground	2
18	NSS	STUD AND BRUSH ASSEMBLY	2
19	NSS	BUSHING - insulating	1
20	NSS	WASHER - insulating	1
21	NSS	WASHER - stud mounting	1
22	NSS	LOCK WASHER - stud mounting	1
23	NSS	NUT - stud mounting	1
	C 20337	KIT - brush and spring (includes items 14, 17 and 18)	1
24	193- 57	LOCK WASHER - external tooth 1/4"	1
25	129- 101	NUT - 1/4" - 20	1



CASE MODELS 446 AND 448 COMPACT TRACTORS

IGNITION AND CHARGING SYSTEMS

REF.	PART NO.	DESCRIPTION	REQ'D
	C 29990	BREAKER CONTACT ASSEMBLY .....	1
1	182- 520	SCREW - No. 10 - 24 x 1-1/2" .....	1
2	195- 513	WASHER - No. 10 .....	1
3	C 23854	COVER - breaker box (includes items 1 and 2) .....	1
4	182- 545	SCREW - No. 8 - 32 x 5/16" self-tapping .....	1
5	192- 16	LOCK WASHER - No. 8 .....	1
6	C 29991	CONDENSER - ignition .....	1
7	165- 143	SCREW - 1/4" - 20 x 3/4" .....	2
8	192- 402	LOCK WASHER - 1/4" .....	2
9	C 29736	CONTACTS - breaker .....	1
10	C 25100	BASE - breaker box .....	1
11	C 20345	GASKET - breaker box .....	1
12	C 20347	PLUNGER - breaker box .....	1
13	C 29992	LEAD - breaker to coil negative .....	1
14	173- 210	SCREW - No. 10 x 1-3/8" round head, machine .....	3
15	214- 259	CLAMP - coil mounting .....	1
16	C 20344	RETAINER - spark plug cables .....	1
17	C 24955	CABLE - spark plug .....	2
18	192- 18	LOCK WASHER - No. 10 .....	3
19	C 29752	COIL - ignition .....	1
20	C 25845	SPARK PLUG .....	2
22	C 24956	STATOR - alternator charging .....	1
23	C 25227	CAP - coil .....	2
24	C 25338	CONNECTOR - stator .....	1



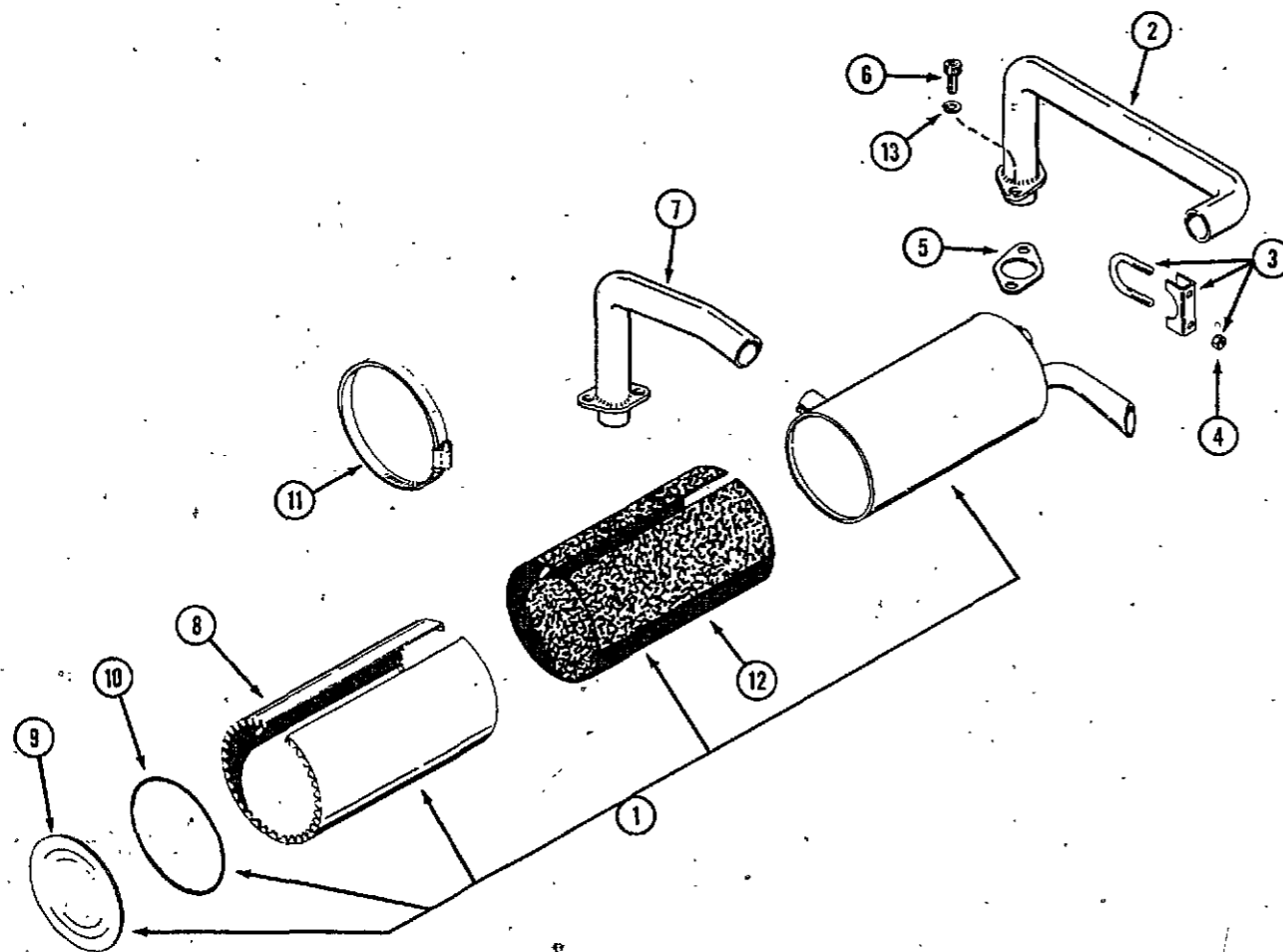
CASE MODELS 446 AND 448 COMPACT TRACTORS

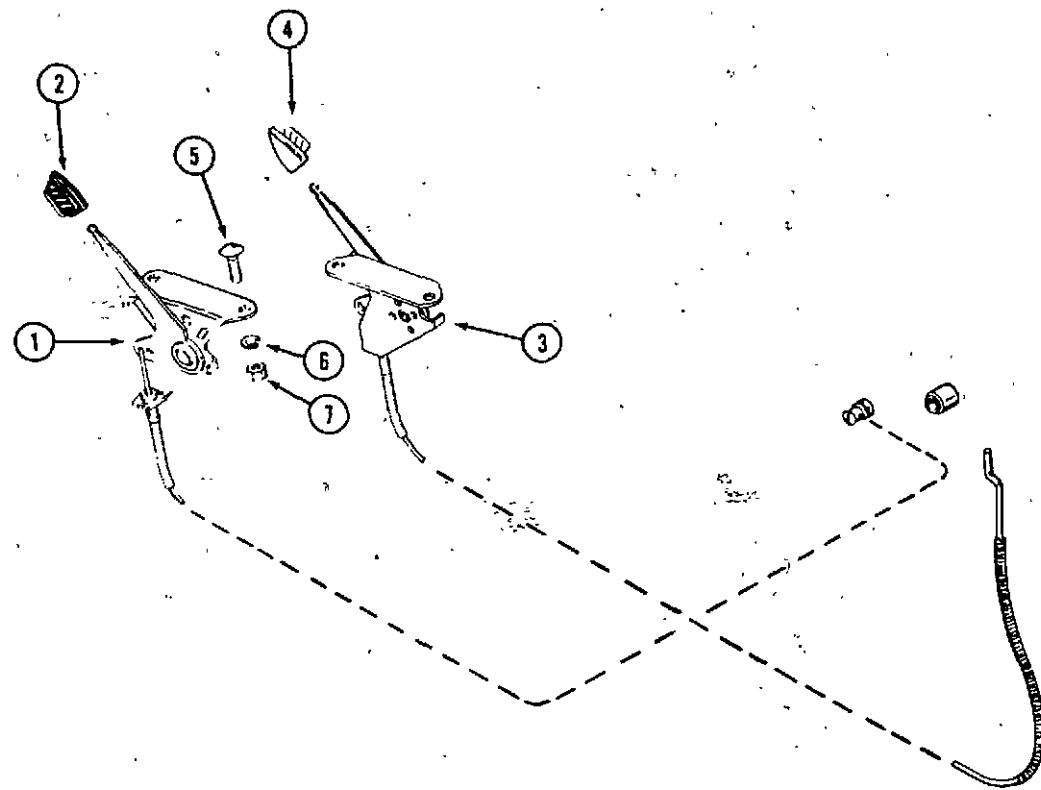
HEAT SHIELDS AND ENGINE Baffles

REF.	PART NO.	DESCRIPTION	REQ'D
1	C 25489	SHIELD - exhaust pipe L.H.	1
2	C 25490	SHIELD - exhaust pipe R.H.	1
3	113- 1	BOLT - 1/4" - 20 x 1/2" hex	2
4	192- 19	LOCK WASHER - 1/4"	4
5	129- 101	NUT - 1/4" - 20 hex.	4
6	C 28033	BAFFLE - cylinder L.H.	1
7	C 28034	BAFFLE - cylinder R.H.	1
8	187- 1036	SCREW - self-tapping	2
9	C 26255	SUPPORT - pump mounting	1

EXHAUST SYSTEM

1	C 24703	MUFFLER ASSEMBLY - exhaust (includes items 8, 9, 10 and 12)	1
2	C 25071	PIPE - engine exhaust L.H.	1
3	C 28968	CLAMP ASSEMBLY - muffler	2
4	129- 102	NUT - 5/16" N.C. hex.	1
5	C 26207	GASKET - exhaust	2
6	61- 512	BOLT - 5/16" x 5/8" socket head	4
7	C 25073	PIPE - engine exhaust R.H.	1
8	C 24296	WRAPPER - muffler	1
9	C 23581	COVER - muffler end	1
10	C 23580	INSULATION - muffler end	1
11	214- 272	CLAMP - wrapper mounting	3
12	C 23686	INSULATION - muffler	1
13	192- 404	LOCK WASHER - 5/16"	4



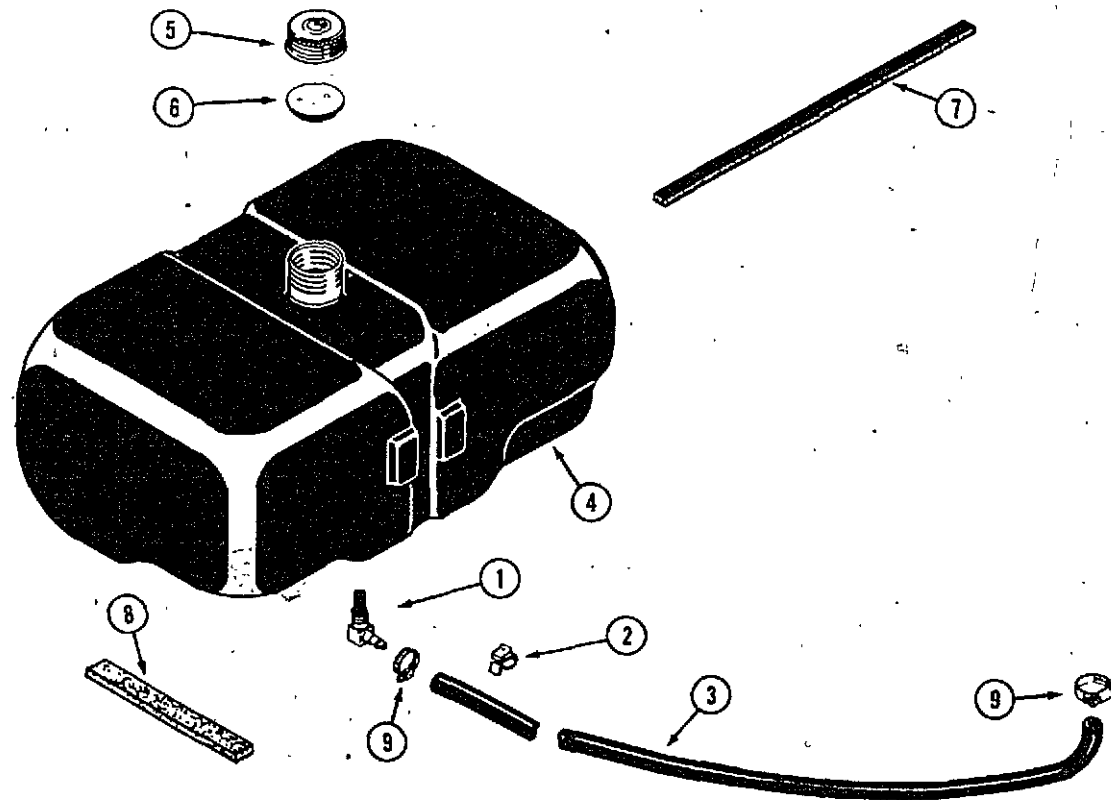


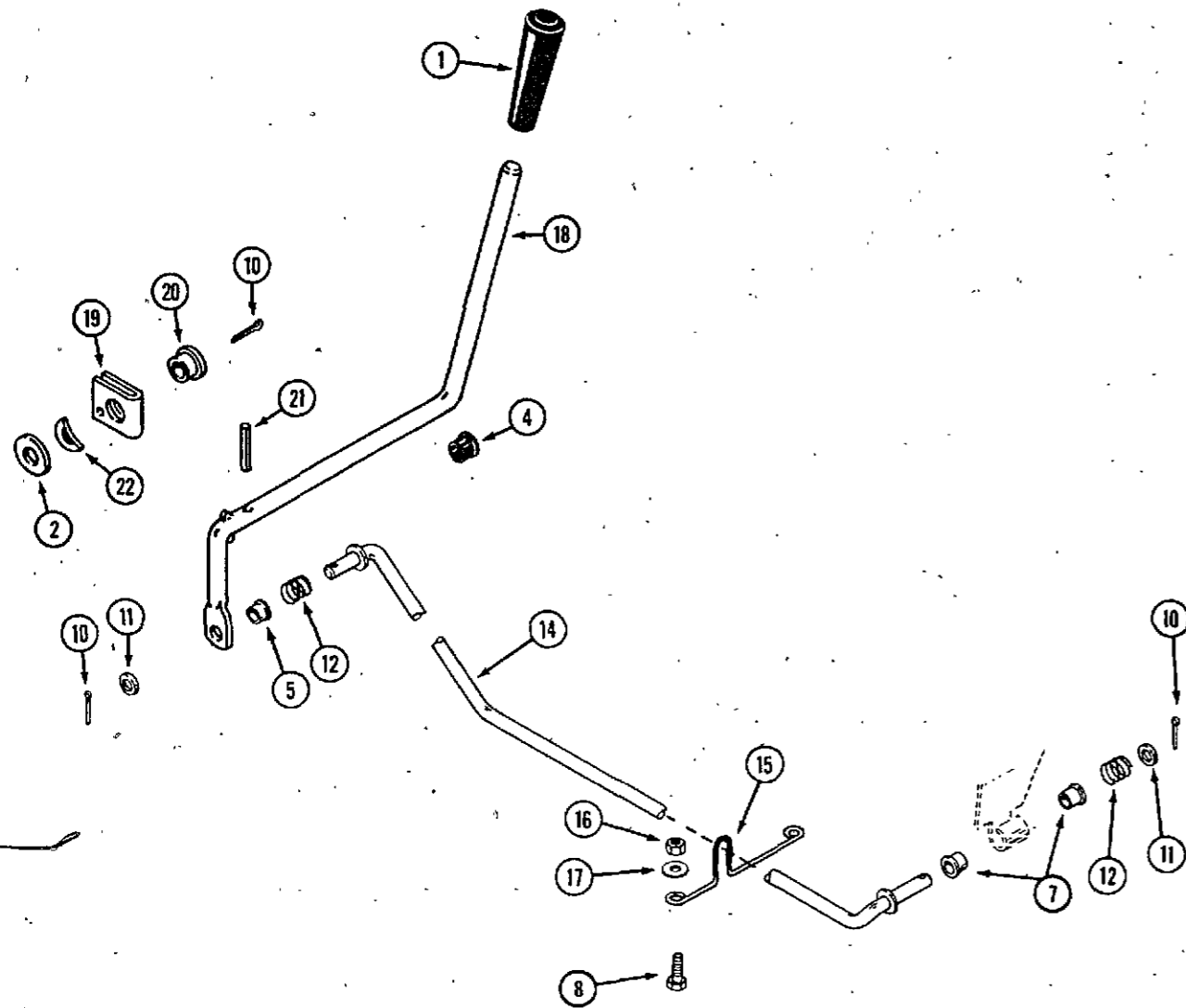
**CHOKE AND THROTTLE**

REF.	PART NO.	DESCRIPTION	REQ'D
1	C 25603	CONTROL - throttle	1
2	NSS	HANDLE - throttle control (use C30073)	1
3	C 25604	CONTROL - choke	1
4	NSS	HANDLE - choke control (use C30074)	1
5	111- 5	BOLT - No. 10 - 24 x 1/2" N.C. round head, square neck	2
6	192- 18	LOCK WASHER - No. 10	2
7	129- 17	NUT - No. 10 - 24	2

**FUEL SYSTEM**

1	C 10657	ELBOW ASSEMBLY - fuel tank	1
2	A 62079	RETAINER - fuel line (optional)	2
3	NSS	HOSE - fuel line 48" (1220 mm) use C28375 cut to length	1
4	NSS	TANK - fuel (use C28935, C28940, (2) 214-274)	1
5	C 11529	CAP - fuel tank (includes insert)	1
6	C 11545	INSERT - fuel cap	1
7	C 23527	LINER - tank	1
8	C 14690	CUSHION - fuel tank	2
9	214- 274	CLAMP - hose 1/2"	2

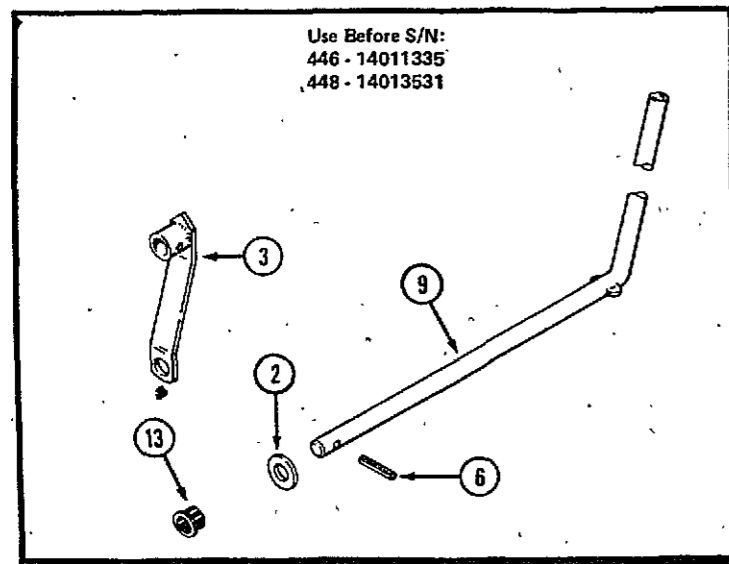


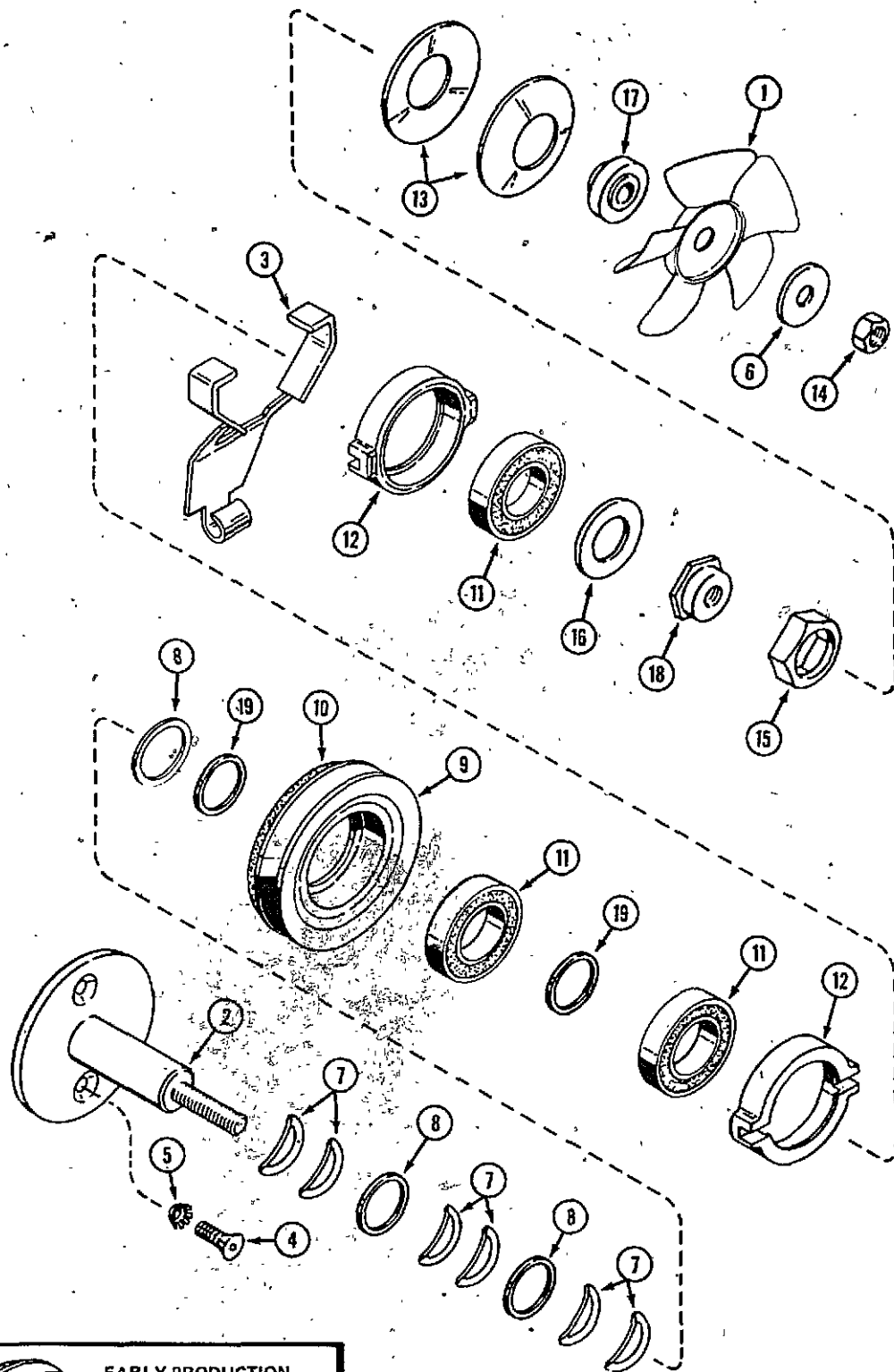


CASE MODELS 446 AND 448 COMPACT TRACTORS

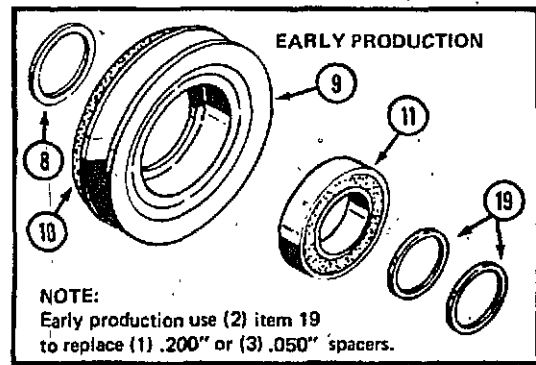
PTO CLUTCH LINKAGE

REF.	PART NO.	DESCRIPTION	REQ'D
1	C 28237	KNOB - lever, PTO .....	1
2	195- 533	WASHER - 1/2" .....	1
3	C 24872	ARM ASSEMBLY - PTO. ....	1
4	353- 462	BUSHING - lever, control tower. ....	1
5	C 20093	BUSHING - special .....	1
6	138- 96	PIN - roll 3/16" x 1" .....	1
7	C 20053	BUSHING - nylon. ....	2
8	113- 207	BOLT - 3/8" x 1" N.C. hex. ....	2
9	C 25013	LEVER - PTO engaging. ....	1
10	132- 310	PIN - cotter 1/8" x 1" .....	2
11	C 14906	WASHER - nylon 3/8" .....	2
12	C 19867	SPRING - clutch rod. ....	2
13	C 26266	BUSHING - special .....	1
14	C 20039	ROD - clutch .....	1
15	C 19767	GUIDE - clutch rod. ....	1
16	131- 178	NUT - lock 3/8" N.C. hex. ....	2
17	195- 104	WASHER - 3/8" .....	2
18	C 29409	LEVER - PTO engaging. ....	1
19	C 26264	BRACKET - support, PTO lever .....	1
20	C 26266	BUSHING - flange, nylon .....	1
21	138- 63	PIN - roll 1/8" x 1-1/4" .....	1
22	C 28288	WASHER - spring .....	1





Use before S/N:  
446 - 14025431  
448 - 14028081



CASE MODELS 446 AND 448 COMPACT TRACTORS

CLUTCH ASSEMBLY (PTO)

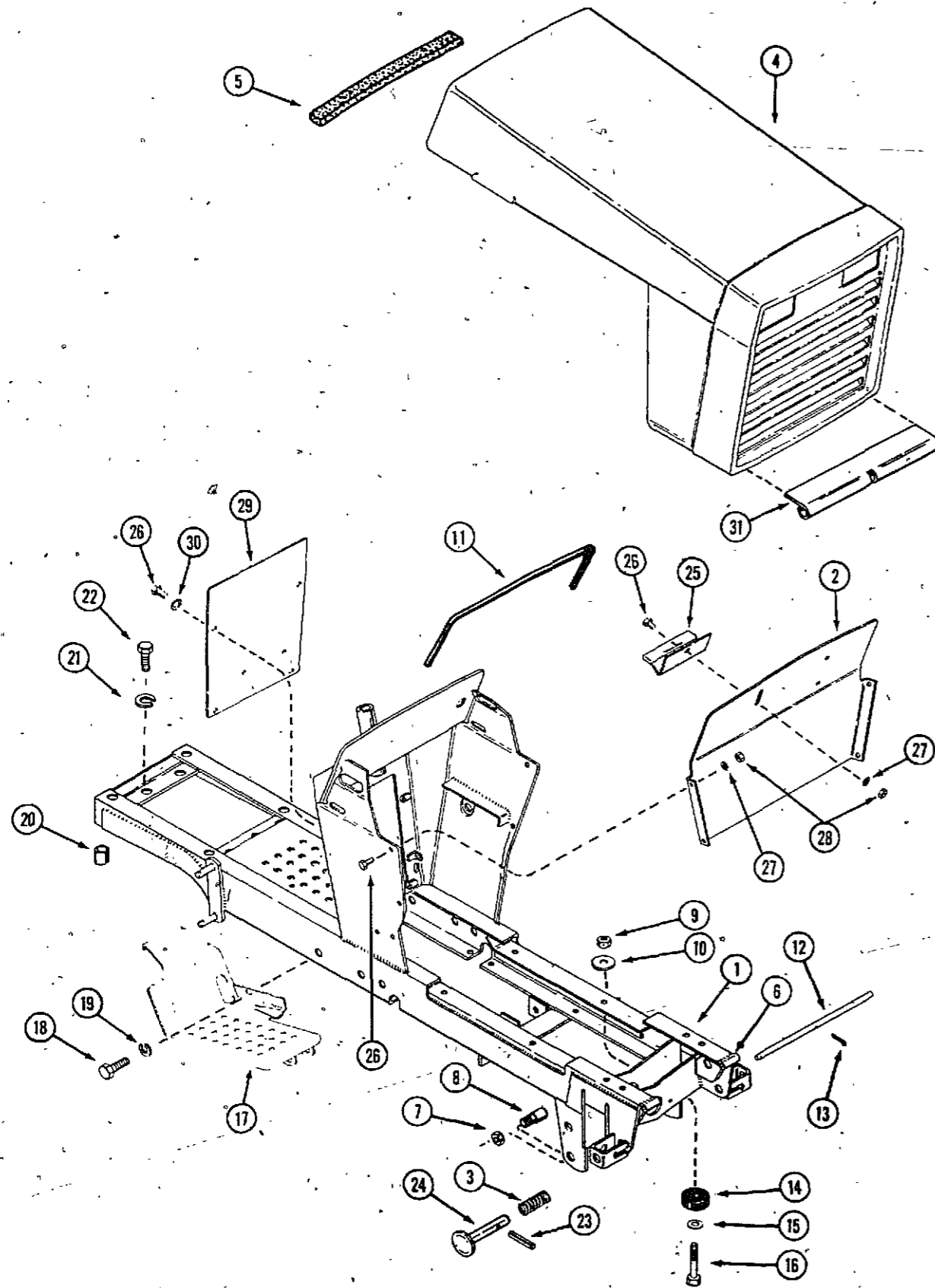
REF.	PART NO.	DESCRIPTION	REQ'D
	NSS	CLUTCH AND FAN ASSEMBLY - (use C27152)	1
1	C 16616	FAN - cooling	1
2	C 24741	HUB - clutch	1
3	NSS	ARM - engaging (use C27031 kit)	1
4	164- 41	SCREW - 5/16" - 18 x 1" flat head socket	2
5	193- 76	LOCK WASHER - 5/16" special external tooth	2
6	C 28677	WASHER - fan-17/32"	1
7	C 15515	WASHER - spring	6
8	C 15557	WASHER - spacer .050	3
9	C 26353	KIT - pulley and disc assembly (includes item 19)	1
10	C 23740	KIT - friction disc	1
11	C 29735	BEARING - ball	3
12	C 23033	CAM - clutch	2
13	C 16786	SPRING - clutch load	2
14	129- 125	NUT - 1/2" N.F.	1
15	C 23627	GUIDE - adjusting nut	1
16	C 23624	WASHER - spacer	1
17	C 23630	SPACER - hub	1
18	C 23625	NUT - adjust	1
19	C 29811*	SPACER - washer .100" (see note on opposite page for early production)	2

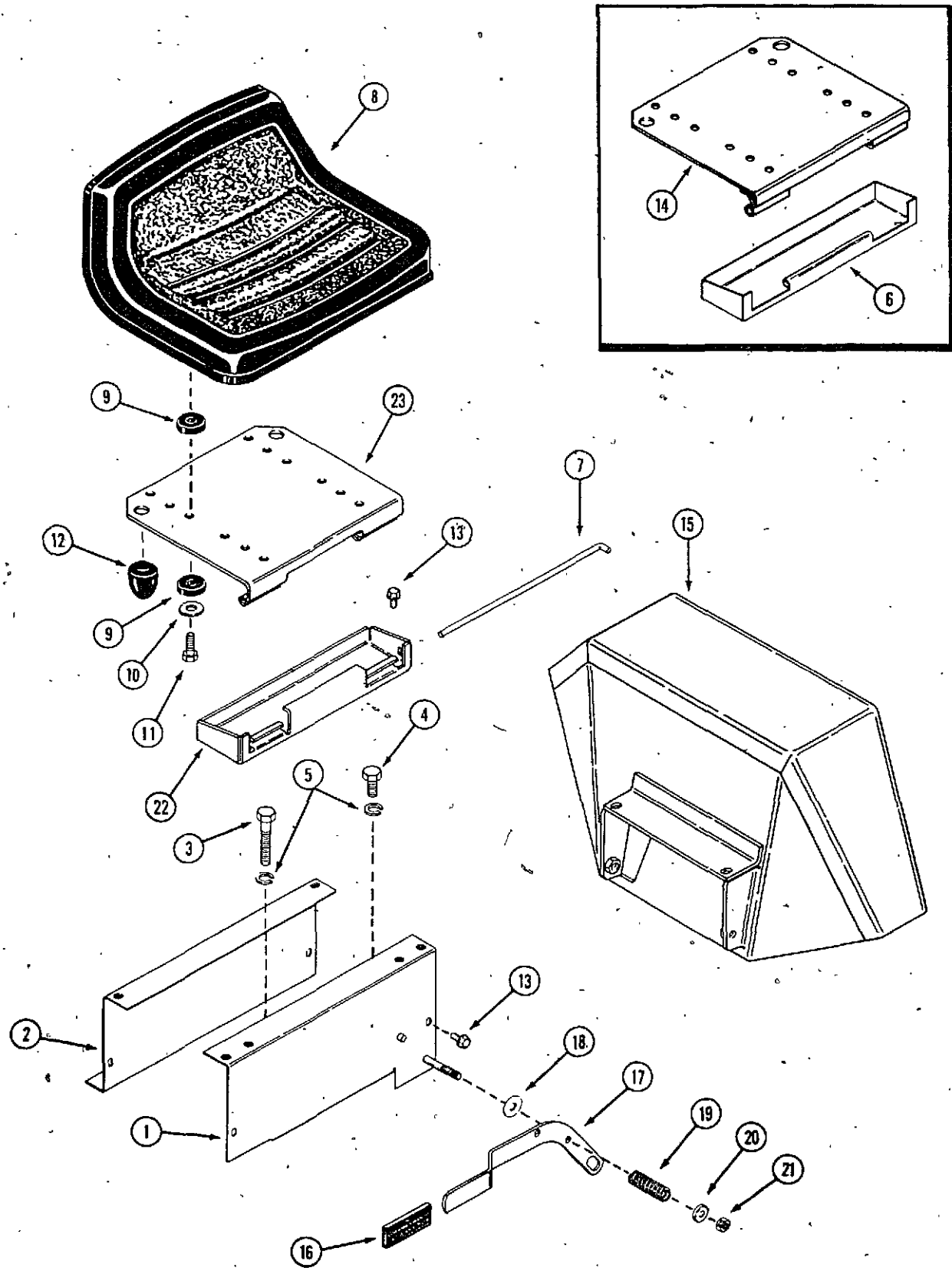
\* Use S/N and after:  
446 - 14025431  
448 - 14028081  
On some late production, item 19 is replaced by  
(2) .050" spacers. Use item 19 for service.

HOOD, FRAME AND GRILLE

REF.	PART NO.	DESCRIPTION	REQ'D
1	C 26941*	FRAME - main	1
2	C 24821	SHIELD - heat	1
3	C 24137	SPRING - latch	2
4	C 23573	HOOD AND GRILLE ASSEMBLY (includes item 31) 446 (shown)	1
4	C 25423	HOOD AND GRILLE ASSEMBLY - (includes item 31) 448	1
5	C 23527	LINER - hood	1
6	C 22023	HINGE - frame	2
7	131- 1318	NUT - lock 1/2" N.F.	2
8	C 27508	PIN - attachment	2
9	131- 1181	NUT - lock 3/8" N.C.	4
10	195- 525	WASHER - plain 3/8" x 13/16" O.D. (over engine foot pad)	4
11	C 18153	LINER - instrument panel	1
12	C 16362	ROD - hood hinge	1
13	132- 334	PIN - cotter 1/8" x 3/4"	1
14	C 15410	CUSHION - washer	4
15	195- 2029	WASHER - plain 3/8" x 1-1/4" O.D. (under cushion)	8
16	113- 219	BOLT - 3/8" x 2-1/4" N.C. hex	4
17	C 25317	PAD - foot L.H.	1
17	C 25318	PAD - foot R.H.	1
18	113- 113	BOLT - 5/16" x 7/8" N.C. hex	2
19	192- 20	LOCK WASHER - 5/16"	2
20	C 14729	SPACER - rear, frame	2
21	192- 23	LOCK WASHER - 1/2"	4
22	113- 424	BOLT - 1/2" N.C. hex, transaxle mounting	3
22	166- 86	BOLT - 1/2" x 1-1/4" flange	1
23	138- 2073	PIN - roll 3/16" x 1-1/4"	2
24	C 16373	PIN - latch	2
25	C 24820	RETAINER - battery hold down	1
26	113- 1	BOLT - 1/4" - 20 x 1/2"	9
27	192- 19	LOCK WASHER - 1/4"	5
28	129- 101	NUT - 1/4" - 20 hex	5
29	C 24822	COVER - access (use before S/N 9785993 - 446, S/N 9788982 - 448)	1
29	C 26506	COVER - access (use S/N 9785993 - 446, S/N 9788982 - 448 and after)	1
30	193- 57	LOCK WASHER - 1/4" external tooth	4
31	C 16361	HINGE - hood	1

\*also use C26266, C26265, C26264, 195-533  
 138-63 and 132-310 before S/N:  
 446 - 14011335  
 448 - 14013531





CASE MODELS 446 AND 448 COMPACT TRACTORS

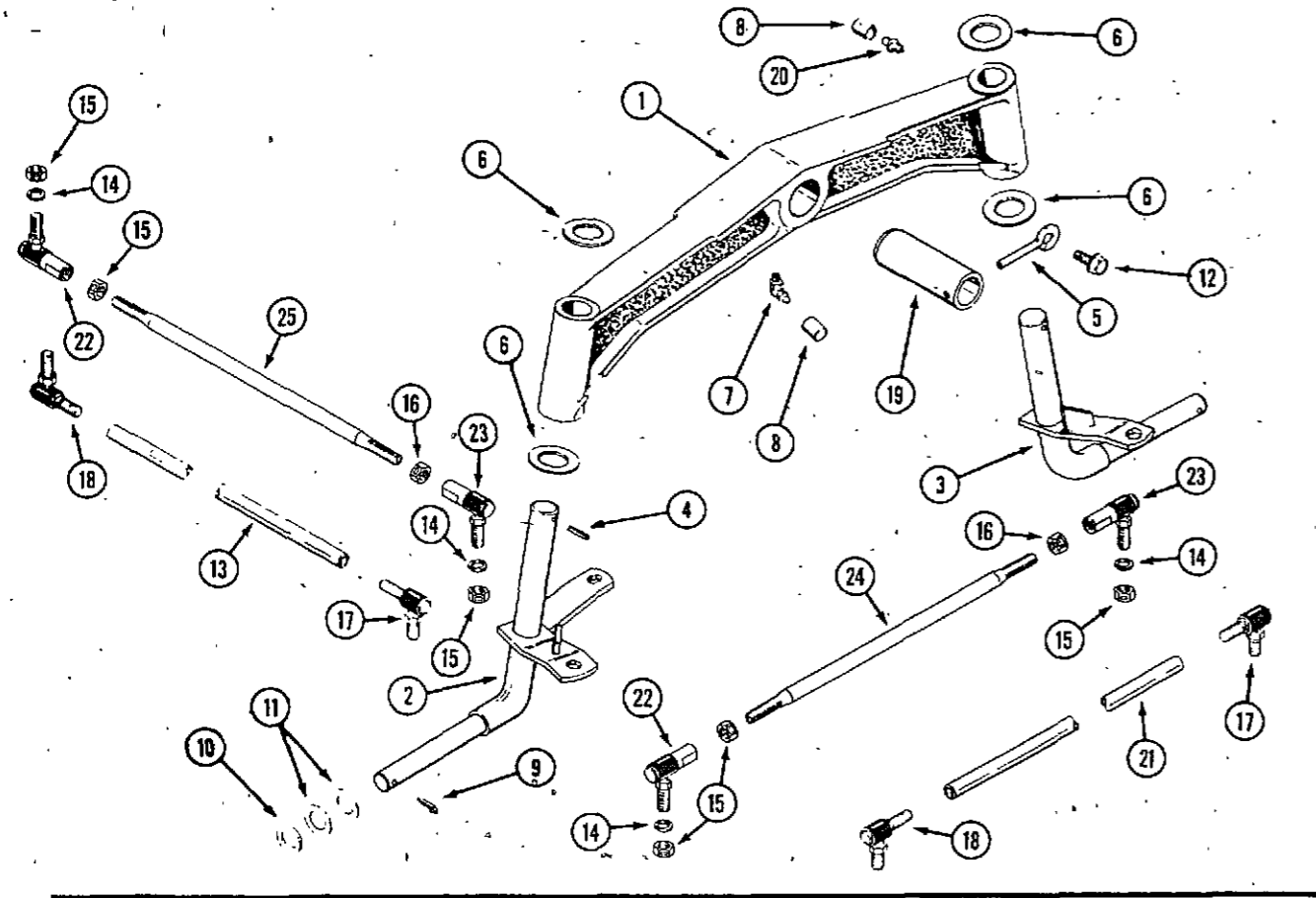
SEAT, FENDERS AND TOOL TRAY

REF.	PART NO.	DESCRIPTION	REQ'D
1	C 26066	SUPPORT - seat, front	1
2	NSS	SUPPORT - seat, rear (use C26695)	1
3	113- 441	BOLT - 1/2" x 2-1/4" N.C. hex	2
4	113- 424	BOLT - 1/2" x 1" N.C. hex	2
4	113- 118	BOLT - 5/16" x 5/8"	1
5	192- 20	LOCK WASHER - 5/16"	1
5	192- 23	LOCK WASHER - 1/2"	4
6	C 19417*	TRAY - tool	1
7	C 16429	PIN - seat hinge	1
8	C 30071	SEAT	1
9	C 15410	CUSHION - rubber	8
10	195- 2175	WASHER - 5/16" x 1-1/4" OD, zinc	4
11	113- 122	BOLT - 5/16" x 1-1/2"	4
12	C 14534	BUMPER - seat	2
13	121- 106	BOLT - 5/16" x 1/2" flange lock	10
14	C 17152*	HINGE ASSEMBLY - seat	1
15	C 25303	FENDER - L.H.	1
15	C 25304	FENDER - R.H.	1
16	C 14728	GRIP - shift lever	1
17	C 16393	LEVER - shift	1
18	195- 525	WASHER - 7/16" x 1-1/4" O.D.	1
19	C 17216	SPRING - shift lever	1
20	C 17066	WASHER - special	1
21	131- 1181	NUT - lock 3/8" N.C. hex	1
22	C 26028**	TRAY - tool	1
23	NSS**	HINGE - seat (use (2) C29305, (2) C29306, C29307, (2) 113-102, (2) 131-911	1

\*use before P.I.N.:  
446 - 9787668  
448 - 9789872

\*\*use P.I.N. and after:  
446 - 9787668  
448 - 9789872





FRONT AXLE

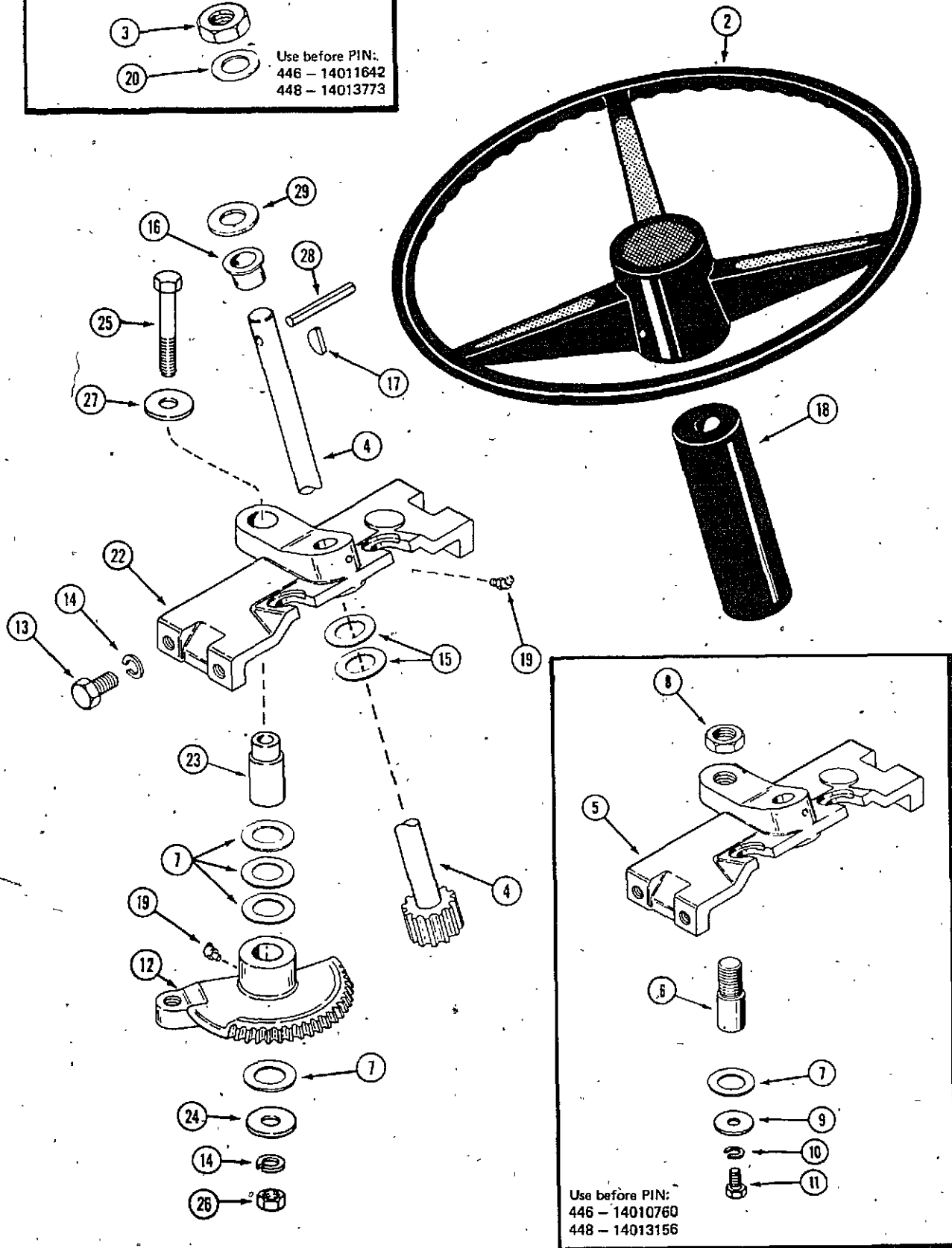
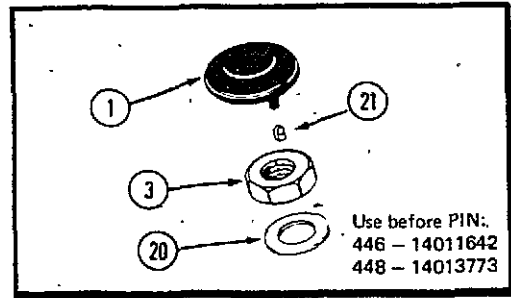
REF.	PART NO.	DESCRIPTION	REQ'D
1	C 18813	AXLE - front	1
2	NSS	SPINDLE - right hand (use C27600, (2) C27902)	1
3	NSS	SPINDLE - left hand (use C27599, (2) C27209)	1
4	138- 99	PIN - roll	2
5	C 22278	PIN - retaining, axle pivot	1
6	C 13716	WASHER - thrust	4
7	219- 404	FITTING - lubrication	3
8	C 13106	COVER - lubrication fitting	3
9	132- 311	PIN - cotter 5/32" x 1-1/4"	2
10	C 12975	WASHER - wheel spindle	2
11	C 28226	WASHER - wheel spacer	4
12	187- 1910	BOLT - 3/8" N.C. hex head	1
13	C 22992	KIT - drag link (use before S/N 9787865-446, 9790110-448)	1
14	192- 23	LOCK WASHER - 1/2" zinc	3
15	129- 165	NUT - 1/2" N.F. R.H. thread, special	6
16	129- 365	NUT - 1/2" N.F. L.H. thread, special	2
17	C 21527	BALL JOINT - 1/2" L.H. (use before S/N 9787865 - 446, 9790110 - 448)	2
18	C 21526	BALL JOINT - 1/2" R.H. (use before S/N 9787865 - 446, 9790110 - 448)	2
19	C 22568	PIN - axle pivot	1
20	219- 17	FITTING - lubrication	2
21	C 21529	TIE ROD - (use before S/N 9787865 - 446, 9790110 - 448)	1
22	C 12102	BALLJOINT - 1/2" R.H. (use S/N 9787865 - 446, 9790110 - 448 and after)	2
23	C 13605	BALLJOINT - 1/2" L.H. (use S/N 9787865 - 446, 9790110 - 448 and after)	2
24	C 25855	TIE ROD - (use S/N 9787865 - 446, 9790110 - 448 and after)	1
25	C 25857	LINK - drag (use S/N 9787865 - 446, 9790110 - 448 and after)	1

STEERING GEAR

REF.	PART NO.	DESCRIPTION	REQ'D
1	C 16945	CAP - steering wheel	1
2	C 18014*	WHEEL - steering	1
2	C 26325**	WHEEL - steering	1
3	131- 1113	NUT - lock 5/8"	1
4	NSS*	SHAFT - steering (use C26325, C26326, 138-143)	1
4	C 26326**	SHAFT - steering	1
5	NSS	SUPPORT - steering gear (use items 14, 22, 23, 24, 25, 26 and 27)	1
6	C 14200	PIN - pivot	1
7	C 14201	WASHER - shim	4
8	129- 148	NUT - 3/4", special	1
9	195- 2175	WASHER	1
10	192- 20	LOCK WASHER - 5/16" zinc	1
11	113- 102	BOLT - 5/16" x 3/4" N.C. hex	1
12	NSS	GEAR - steering (use C29040)	1
13	113- 206	BOLT - 3/8" x 3/4" N.C. hex	4
14	192- 21	LOCK WASHER - 3/8"	5
15	195- 2069	WASHER - 5/8" zinc	2
16	C 15096	BUSHING - flanged nylon	1
17	126- 16	KEY - Woodruff 3/16" x 3/4" (early production)	1
18	C 24098	TUBE - steering	1
19	219- 404	FITTING - lubrication, 45 degrees	2
20	C 12975	WASHER - 5/8"	2
21	C 18017	RETAINER - steering wheel	2
22	NSS	SUPPORT - steering gear (use C30019, C29044, C29812)	1
23	C 25787	PIN - pivot	1
24	195- 2029	WASHER - 7/16" x 1.25	1
25	113- 241	BOLT - 3/8" - 16 x 3" hex	1
26	129- 103	NUT - 3/8" - 16 hex	1
27	195- 137	WASHER - 1-1/8" O.D.	1
28	138- 143	PIN - roll 1/4" x 2-1/4"	1
29	195- 541	WASHER - 5/8"	1
	C 13106	COVER - lubrication fitting	2

\*use before PIN:  
446 - 14011642  
448 - 14013773

\*\*use PIN and after:  
446 - 14011642  
448 - 14013773

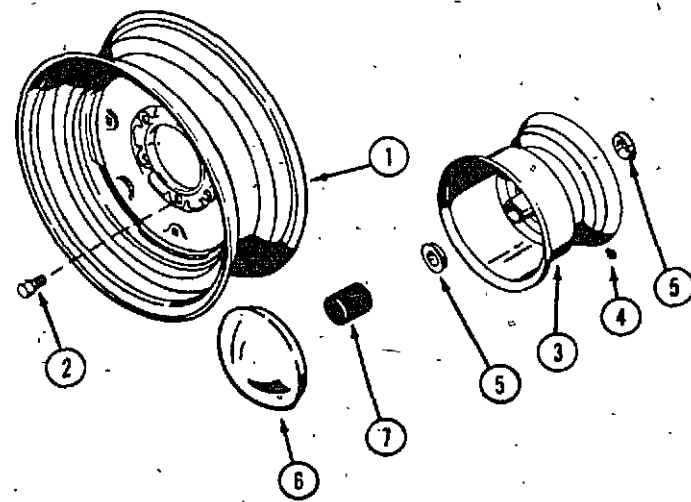
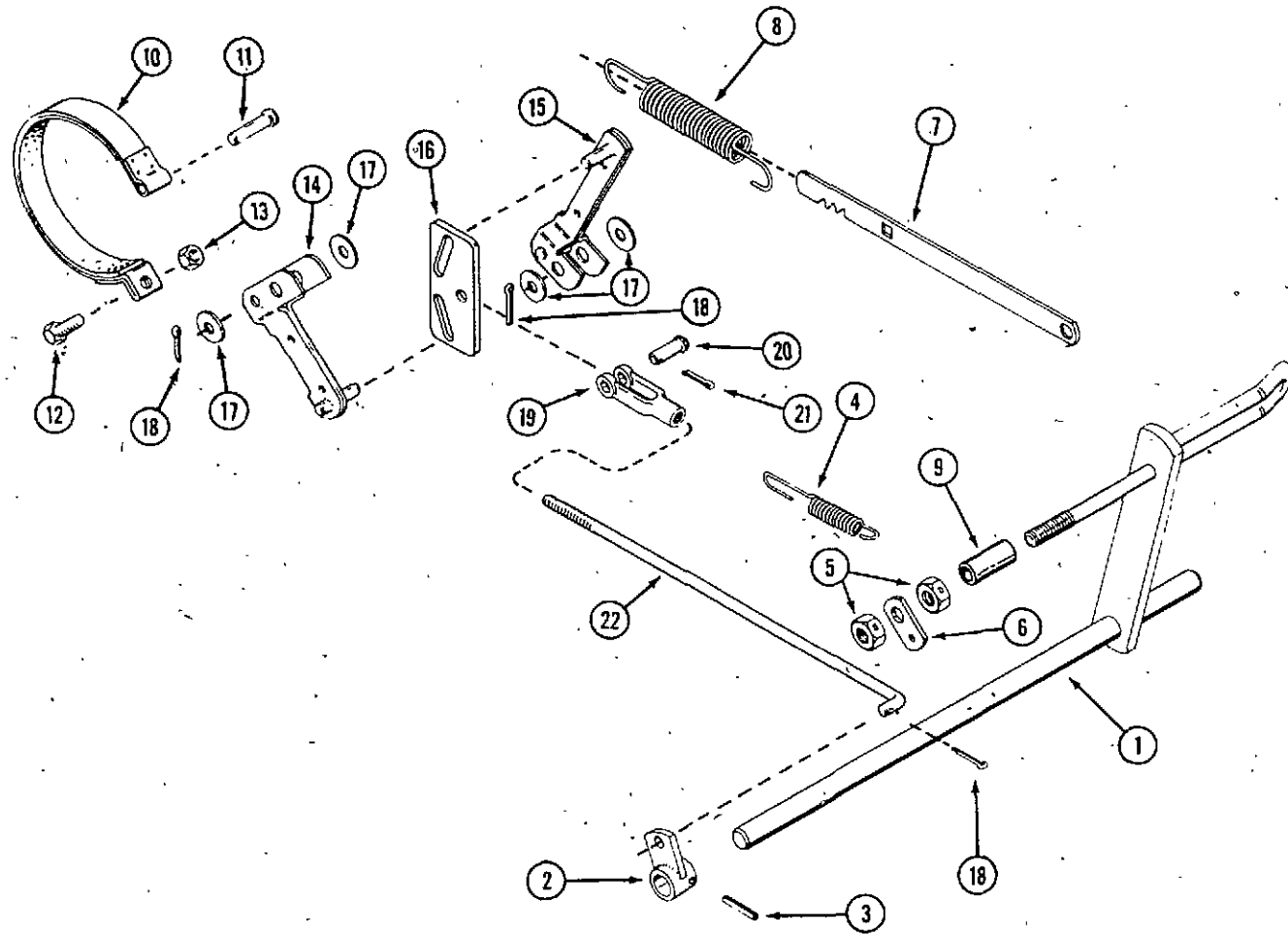


BRAKE ASSEMBLY

REF.	PART NO.	DESCRIPTION	REQ'D
1	C 22316	PEDAL - brake actuating	1
2	C 26381	ARM - brake pedal	1
3	138- 2073	PIN - roll 3/16" x 1-1/4"	1
4	C 25022	SPRING - return	1
5	131- 1308	NUT - lock, special	2
6	C 16164	TAB - lift	1
7	C 18147	LEVER - brake lock	1
8	C 27755	SPRING - brake lock	1
9	C 21857	SPACER - brake pedal	1
10	C 23909	BAND - brake	1
11	C 23910	PIN - clevis	1
12	113- 2262	BOLT - 3/8" - 16 x 1-1/2" hex.	1
13	129- 143	NUT - 3/8" - 16 special	1
14	C 23899	ARM - brake	1
15	C 24761	ARM - brake (includes adjustment nut)	1
16	C 23883	GUIDE - brake actuator	1
17	195- 533	WASHER - .531 I.D.	4
18	132- 310	PIN - cotter 1/8" x 1"	3
19	C 28978	CLEVIS	1
20	141- 54	PIN - clevis	1
21	132- 321	PIN - cotter	1
22	C 25306	ROD - brake	1

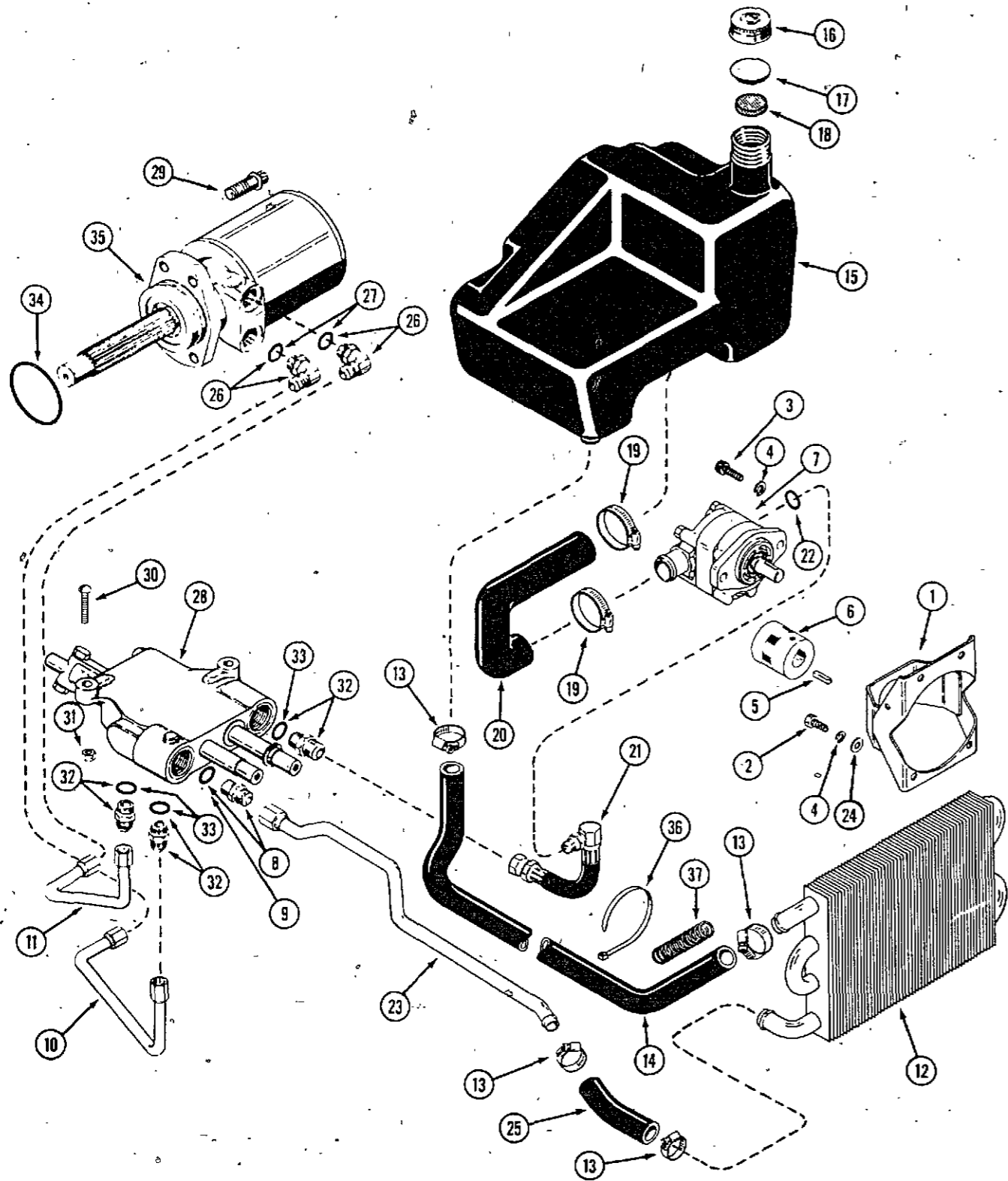
FRONT AND REAR WHEELS

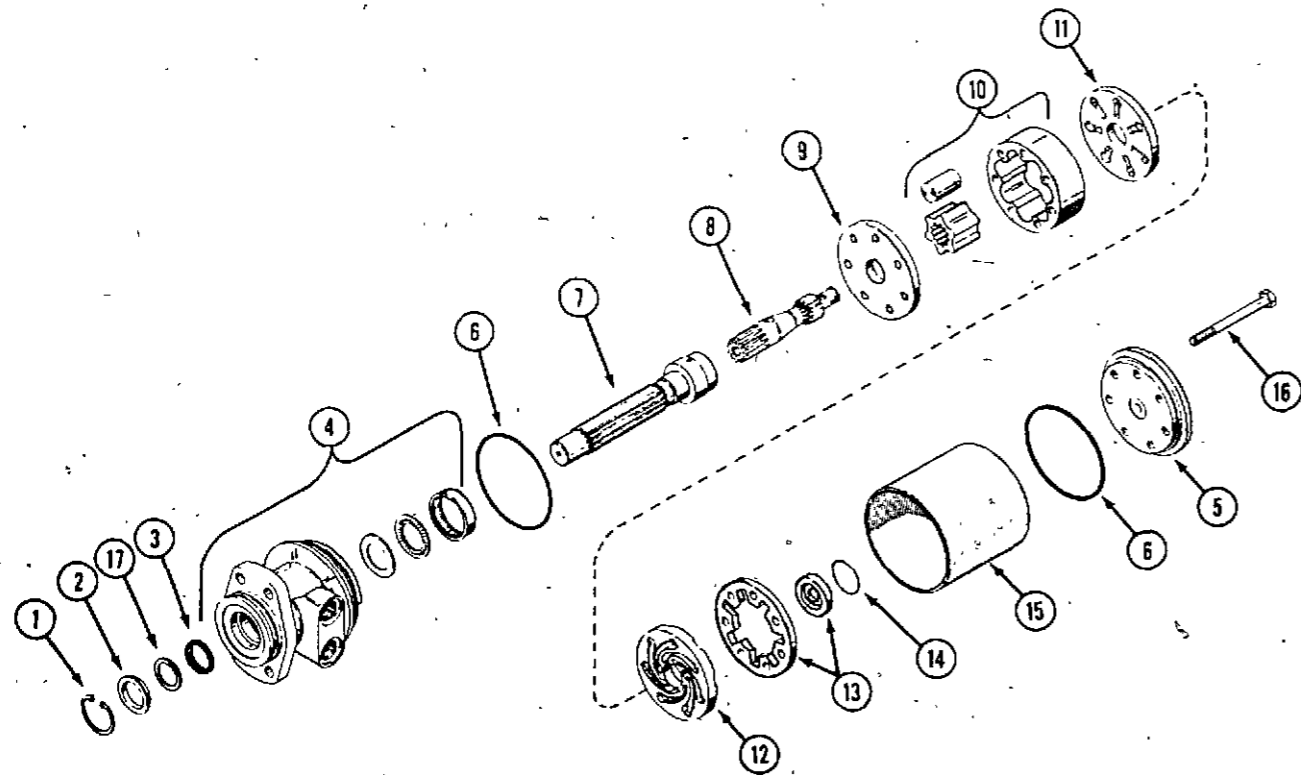
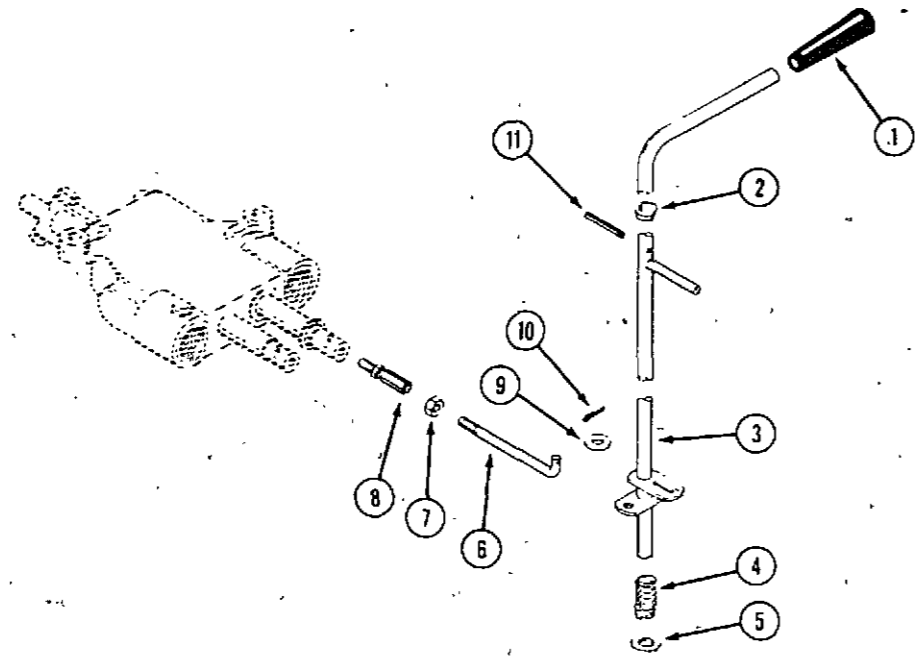
1	C 24438	WHEEL - rear, 6 bolt (white)	2
2	C 27763	BOLT - rear wheel	12
3	C 24433	WHEEL - front (white) (includes bearings)	2
4	219- 403	FITTING - lubrication	2
5	C 12110	BEARING - wheel	2
6	C 28965	CAP - hub, front wheel (optional)	2
7	C 26021	CAP - plastic, front	2
	C 13106	COVER - lubrication fitting	2



HYDRAULIC SYSTEM

REF.	PART NO.	DESCRIPTION	REQ'D
1	C 26255	SUPPORT - pump mounting	1
2	113- 206	BOLT - 3/8" x 3/4" N.C. hex, support mounting	4
3	61- 616	SCREW - 3/8" x 1" N.C. hex, socket head (early production)	2
3	62- 616	SCREW - 3/8" - 24 x 1" N.F. thread (late production)	2
4	192- 21	LOCK WASHER - 3/8" zinc	6
5	C 28321	KEY - square 1/4" x 3/4" (6.35 x 19.5 mm) (engine shaft)	1
6	C 25209	COUPLING - pump, 9/16" shaft (see page 43 and 45)	1
6	C 18916	COUPLING - pump, 1/2" shaft (repairs page 43 and 45)	1
7	C 26278	PUMP - hydraulic 1/2" shaft (repairs page 43 and 45)	1
7	NSS	PUMP - hydraulic 9/16" shaft (repairs page 43 and 45) (use C26278, C17300)	1
8	218- 5065	FITTING - hydraulic 3/4" x 7/8" "O" ring	1
9	218- 5007	"O" RING - 7/8"	1
10	C 25333	TUBE - valve to lower motor port	1
11	C 25334	TUBE - valve to upper motor port	1
12	C 25784	EXCHANGER - heat (446) shown	1
12	C 25376	EXCHANGER - heat (448) (use before S/N 14028535)	1
12	C 26456	EXCHANGER - heat (448) (use S/N 14028535 and after)	1
13	214- 254	CLAMP - hose	4
14	C 25785	HOSE - rubber, tank to heat exchanger	1
15	C 24818	RESERVOIR - hydraulic oil	1
16	C 25237	CAP - reservoir (includes insert)	1
17	NSS	INSERT - reservoir cap	1
18	NSS	ELEMENT - insert	1
19	C 23326	CLAMP - hose	2
20	C 24827	HOSE - rubber, tank to pump	1
21	C 18797	HOSE - hydraulic, pump to valve	1
22	218- 5006	"O" RING - 1/2" (for C18797)	1
23	C 26182	TUBE - valve to heat exchanger (also req's item 25 before S/N 9787599 - 446, 9789840 - 448)	1
24	195- 104	WASHER - 3/8"	4
25	NSS	HOSE - rubber (use C25785 cut to length)	1
26	218- 5107	FITTING - motor port 90 degree elbow, "O" Ring	2
27	218- 5007	"O" RING - 5/8" (for 218-5107 fitting)	2
28	NSS	VALVE - hydraulic control, two spool (repairs page 49, 51, 53) (use C27217)	1
29	166- 86	SCREW - 1/2" x 1-1/4" N.C. flanged 12 point	4
30	182- 246	SCREW - 5/16" x 1-1/4" N.C. flat head machine	2
31	131- 351	NUT - lock 5/16" N.C. hex	2
32	218- 5062	FITTING - hydraulic valve 5/8" x 7/8" "O" Ring	3
33	218- 5007	"O" RING - 5/8" (for C18321)	3
34	C 28949	SEAL - motor to transmission	1
35	C 14655	MOTOR - hydraulic (repairs page 41)	1
36	C 22947	TIE - hose clamp	2
37	C 26900	SPRING - compression (448)	1





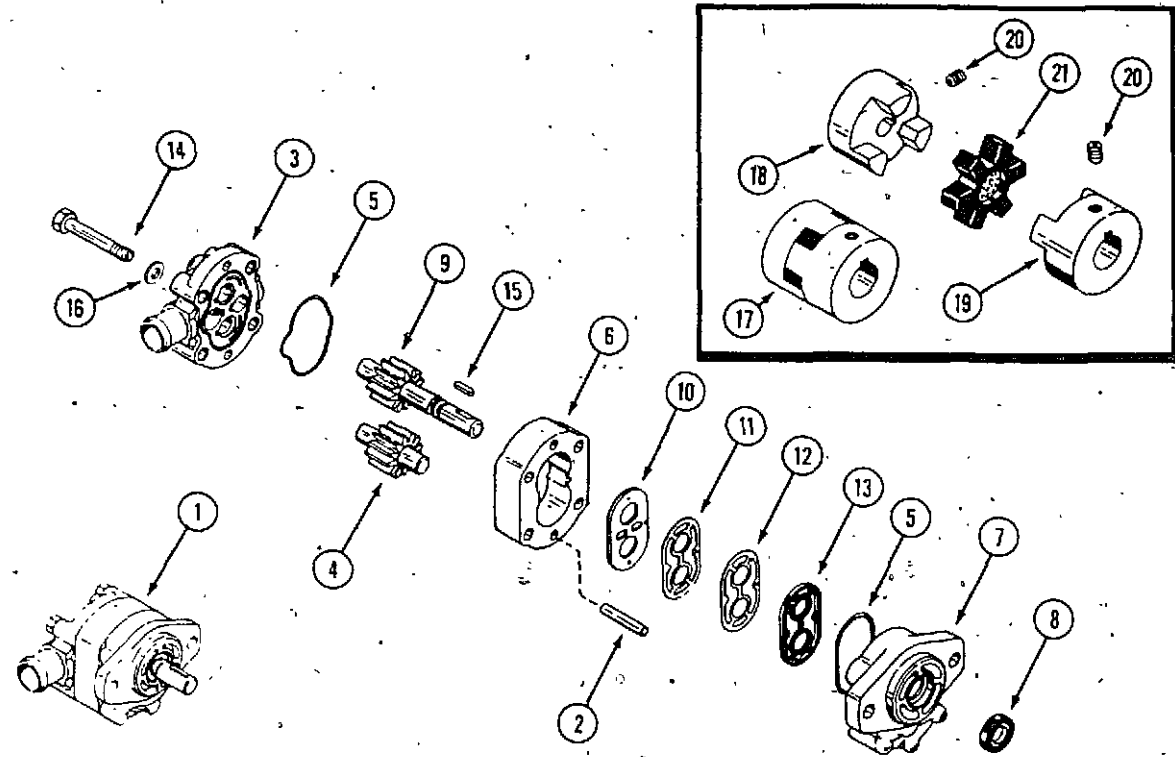
CASE MODEL 446 AND 448 COMPACT TRACTORS

SPEED CONTROL

REF.	PART NO.	DESCRIPTION	REQ'D.
1	C 28237	KNOB - speed control	1
2	C 27593	BUSHING - lever	1
3	NSS	LEVER - speed control (use C29407 and C28003)	1
4	C 27822	SPRING - compression	1
5	C 21518	WASHER - nylon	1
6	C 18742	ROD - control	1
7	129- 122	NUT - 5/16" N.F. hex, zinc	1
8	C 19025	JOINT - ball	1
9	195- 521	WASHER - 5/16"	1
10	132- 320	PIN - cotter 3/32" x 3/4"	1
11	138- 2072	PIN - roll 1/8" x 1-3/4"	1

HYDRAULIC DRIVE MOTOR

	C 14655	MOTOR - hydraulic	1
1	C 16516	RING - retaining	1
2	C 19040	SPACER	1
3	C 25048	SEAL - oil	1
4	C 14827	HOUSING ASSEMBLY	1
5	C 14837	END CAP	1
6	C 18382	SEAL	2
7	C 14828	SHAFT - coupling	1
8	C 14829	DRIVE LINK	1
9	C 14830	PLATE - wear	1
10	C 14831	ROTOR ASSEMBLY	1
	NSS	KIT - manifold (also use item 8 before motor code 86-75)	1
11	C 28703	PLATE - manifold	1
12	C 28874	MANIFOLD	1
13	C 28701	COMMUTATOR AND RING SET	1
14	C 19041	RING - sealing	1
15	C 14836	SLEEVE	1
16	C 14838	BOLT - 3/8" x 4-3/8" N.F. hex	7
17	C 19212	WASHER - .010" (0.25 mm)	1



CASE MODEL 446 AND 448 COMPACT TRACTORS

HYDRAULIC PUMP AND COUPLING (PARKER-HANNIFIN)

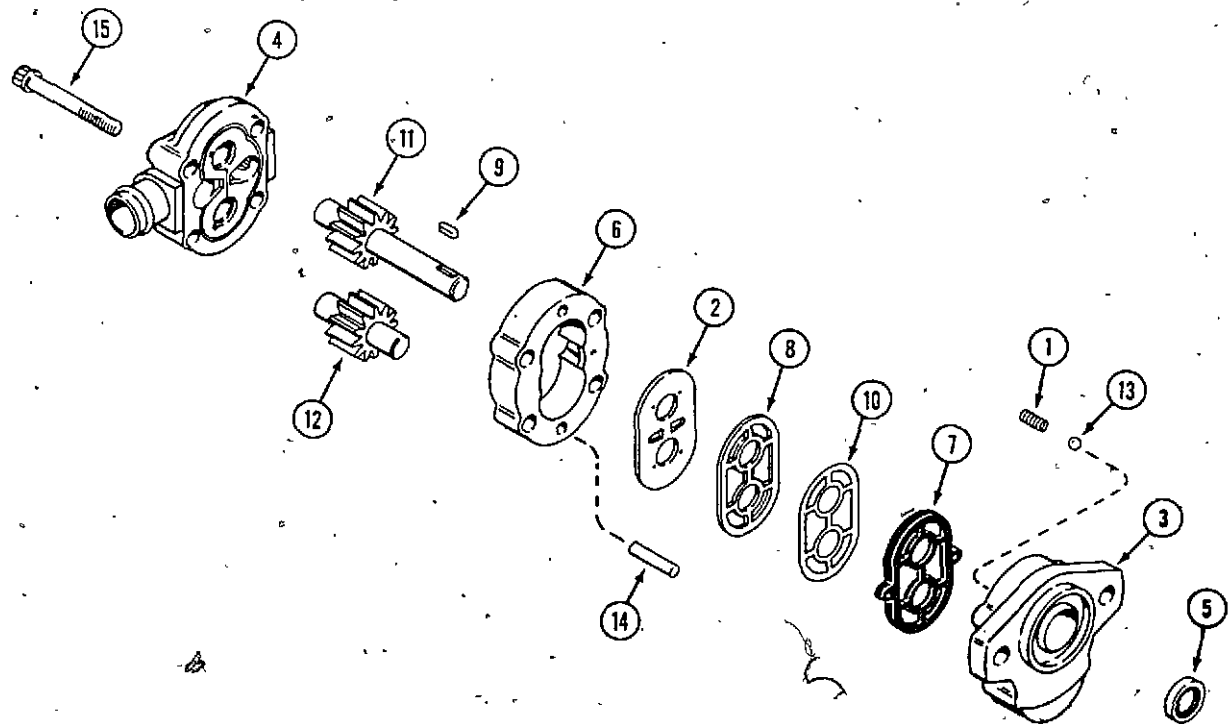
use before S/N: 446 - S/N 14011824  
448 - S/N 14013893

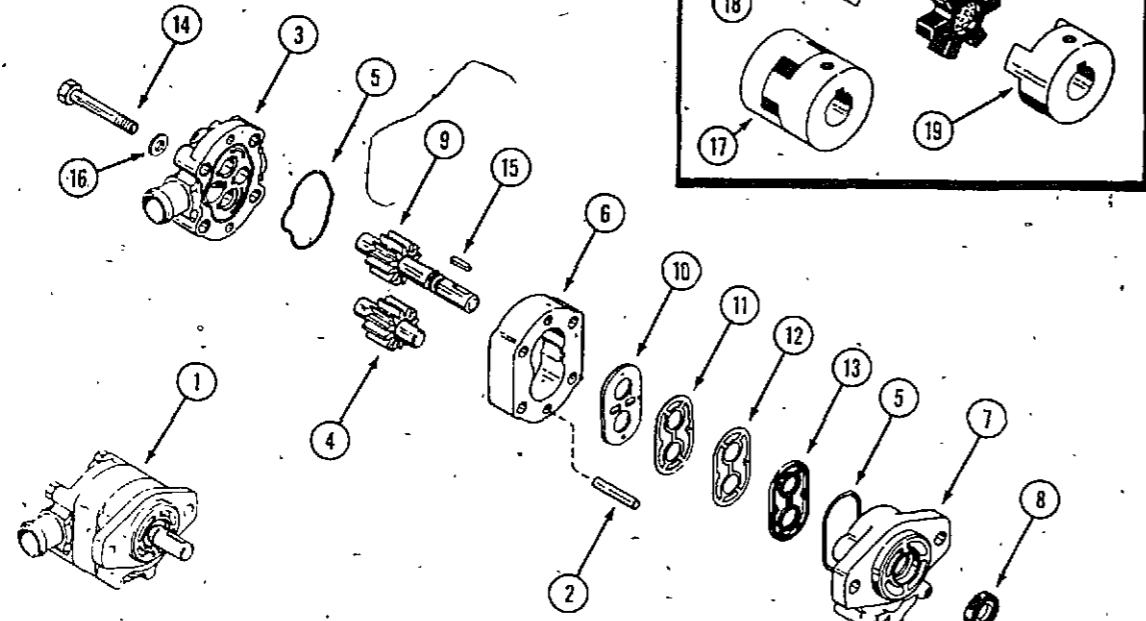
REF.	PART NO.	DESCRIPTION	REQ'D
1	NSS	PUMP - hyd. 9/16" (14.29 mm) shaft (use C26278 and C17300)	1
2	F 53109	PIN - dowel	2
3	C 24861	COVER - rear	1
4	C 15731	GEAR ASSEMBLY - driven	1
5	C 15732	"O" RING - cover	2
6	C 15733	BODY - pump	1
7	C 15734	COVER - front	1
8	C 15735	SEAL - shaft	1
9	NSS	GEAR ASSEMBLY - drive (9/16" shaft)	1
	C 24862	SHAFT - drive (9/16" shaft)	1
	C 24863	GEAR - drive (9/16" shaft)	1
	C 24864	KEY - gear (9/16" shaft)	1
	C 24865	RING - retaining (9/16" shaft)	2
10	C 15737	PLATE - wear	1
11	C 15738	SHIELD - heat	1
12	C 15739	GASKET	1
13	C 15740	SEAL	1
14	113- 111	BOLT	4
15	C 28215	KEY - 3/16" (4.76 mm) square (for 9/16" shaft)	1
16	C 19115	WASHER	4
17	C 25209	COUPLING - pump (9/16" shaft)	1
18	NSS	HUB - (order item 17)	1
19	NSS	HUB - (order item 17)	1
20	83- 55	SCREW - set 5/16" x 5/16" NC socket head	2
21	C 15036	SPIDER	1

HYDRAULIC PUMP (CESSNA)

use before S/N: 446 - S/N 14011824  
448 - S/N 14013893

1	NSS	PUMP - hyd. (9/16" shaft use C26278 and C17300)	1
2	C 28709	SPRING	2
3	C 28718	DIAPHRAGM - wear plate	1
4	NSS	COVER - front (9/16" shaft use C26278 and C17300)	1
5	NSS	COVER - rear (9/16" shaft use C26278 and C17300)	1
6	C 28711	SEAL - shaft	1
7	NSS	BODY - pump (9/16" shaft use C26278 and C17300)	1
8	C 28712	SEAL - diaphragm	1
9	C 28714	GASKET - back up	1
10	C 28215	KEY - 3/16" square x .609" (4.76 mm x 15.47 mm)	1
11	C 28713	GASKET - back up	1
12	NSS	GEAR - drive (9/16" shaft use C26278 and C17300)	1
13	NSS	GEAR - driven (9/16" shaft use C26278 and C17300)	1
14	211- 306	BALL - steel 7/32" (5.55 mm)	2
15	C 28715	PIN - dowel 1/4" x 1-1/4" (6.35 mm x 31.75 mm)	2
	166- 32	BOLT - 5/16" - 18 x 2-1/2" 12 point flange	4



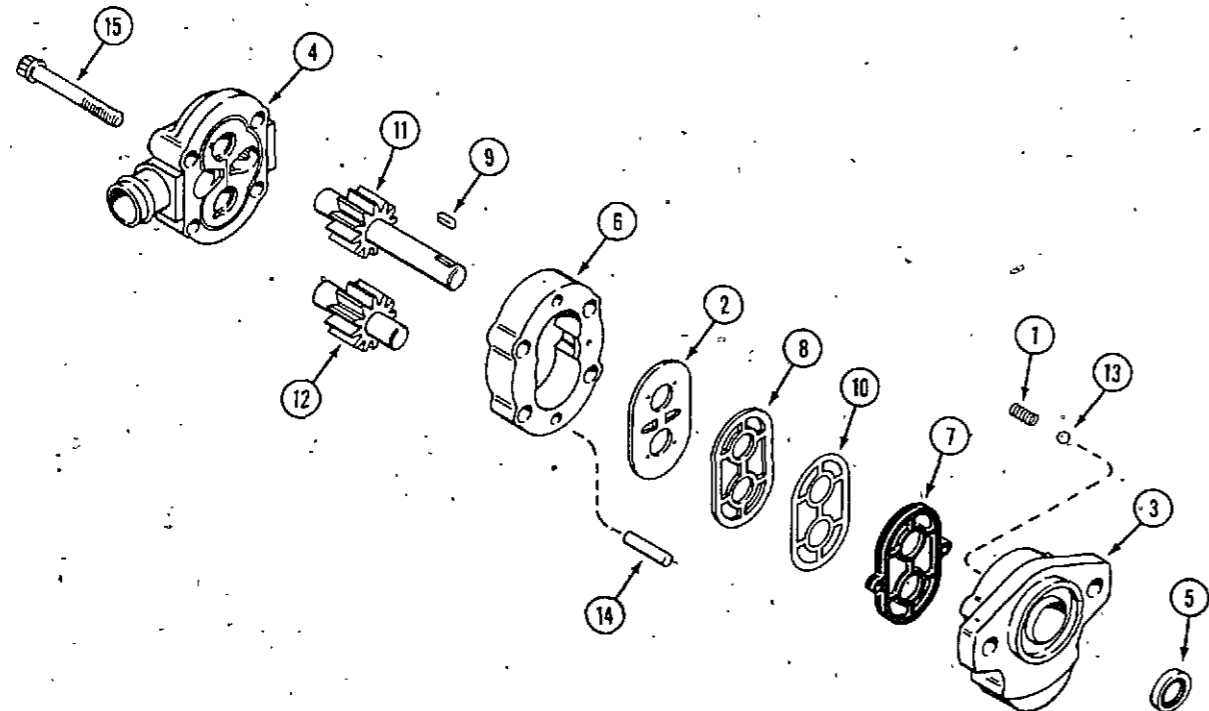


MODEL 446 AND 448 COMPACT TRACTOR

HYDRAULIC PUMP AND COUPLING (PARKER-HANNIFIN)

Use S/N and after:  
 446 - S/N 14011824  
 448 - S/N 14013893

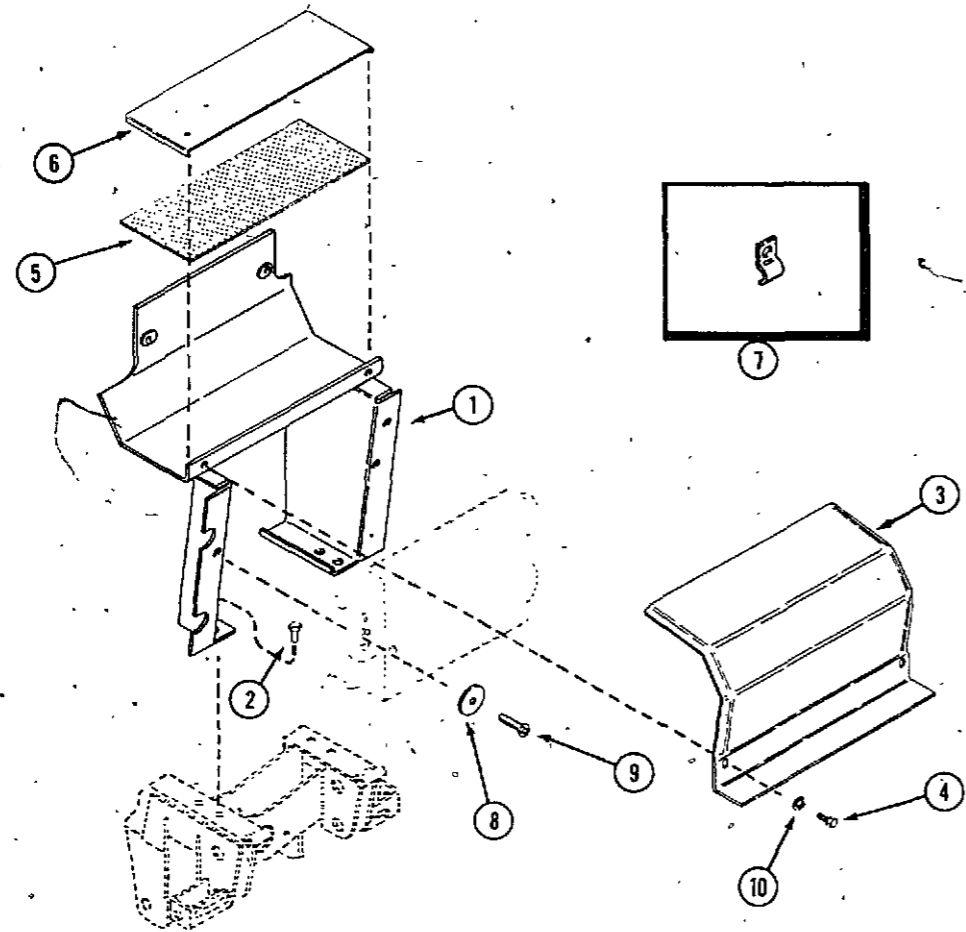
REF.	PART NO.	DESCRIPTION	REQ'D
1	C 26278	PUMP - hydraulic 1/2" shaft	1
2	F 53109	PIN - dowel	2
3	C 24861	COVER - rear	1
4	C 15731	GEAR ASSEMBLY - driven	1
5	C 15732	"O" RING - cover	2
6	C 15733	BODY - pump	1
7	C 15734	COVER - front	1
8	C 15735	SEAL - shaft	1
9	NSS	GEAR ASSEMBLY - drive (1/2" shaft) (use C26278)	1
10	C 15737	PLATE - wear	1
11	C 15738	SHIELD - heat	1
12	C 15739	GASKET	1
13	C 15740	SEAL	1
14	113- 111	BOLT	4
15	C 19207	KEY - 1/8" square x 3/4" long	1
16	C 19115	WASHER	4
17	C 18916	COUPLING - pump	1
18	C 17300	HUB - pump half	1
19	NSS	HUB - (order item 17)	1
20	83- 55	SCREW - set 5/16" x 5/16" NC socket head	2
21	C 15036	SPIDER	1



HYDRAULIC PUMP (CESSNA)

Use S/N and after:  
 446 - S/N 14011824  
 448 - S/N 14013893

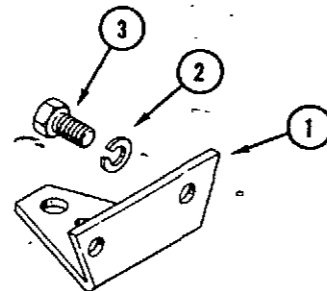
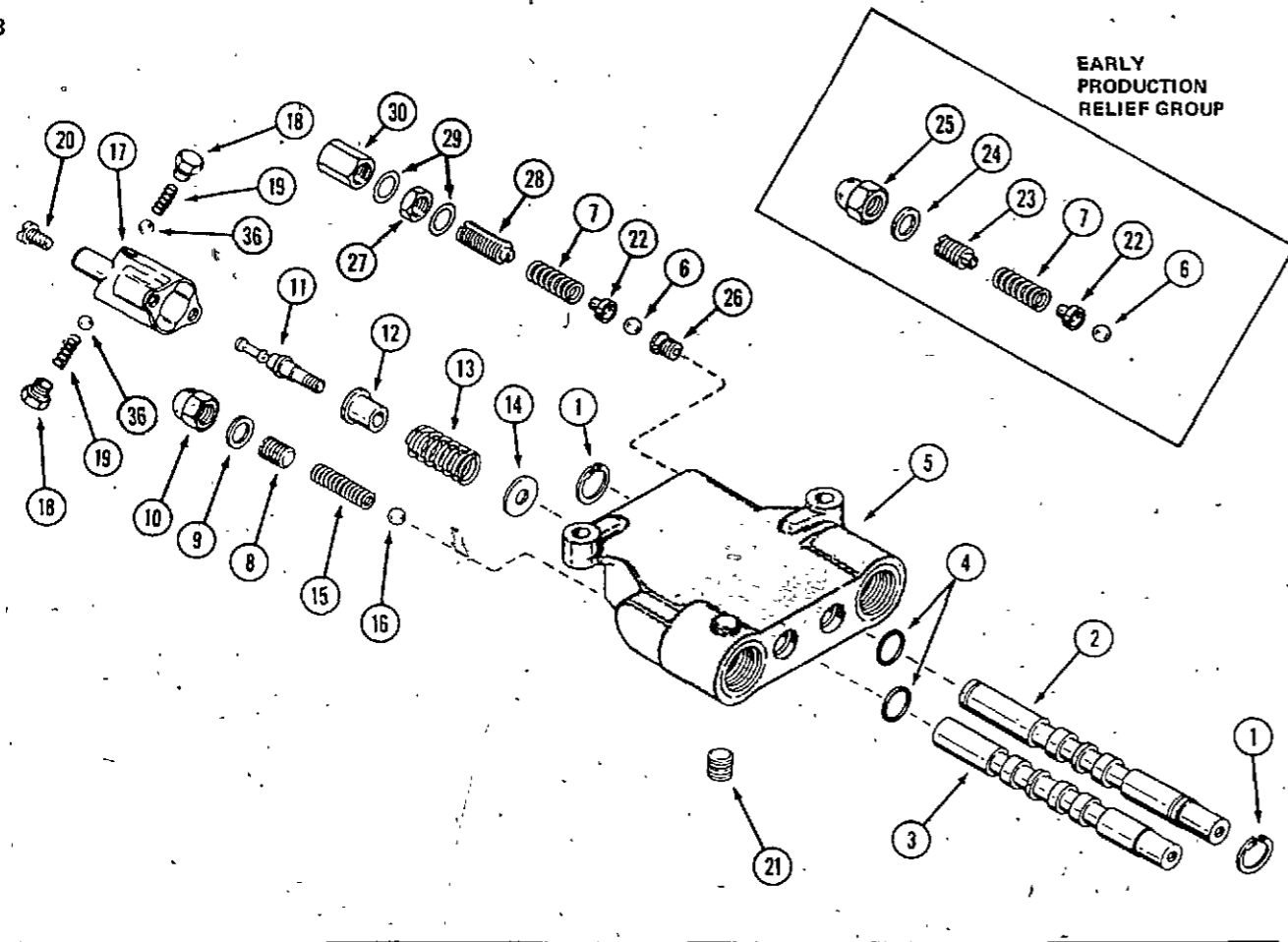
REF.	PART NO.	DESCRIPTION	REQ'D
	NSS	PUMP - hyd. 1/2" shaft (use C26278)	1
1	C 28709	SPRING	2
2	C 28718	DIAPHRAGM - wear plate	1
3	NSS	COVER - front (use C26278)	1
4	NSS	COVER - rear (use C26278)	1
5	C 28711	SEAL - shaft	1
6	NSS	BODY - pump (use C26278)	1
7	C 28712	SEAL - diaphragm	1
8	C 28714	GASKET - back up	1
9	C 19207	KEY - 1/8" square x 3/4" long	1
10	C 28713	GASKET - protector	1
11	NSS	GEAR ASSEMBLY - drive (use C26278)	1
12	NSS	GEAR ASSEMBLY - driven (use C26278)	1
13	211- 306	BALL - steel 7/32"	2
14	C 28715	PIN - dowel 1/4" x 1-1/4"	2
15	166- 32	BOLT - 5/16" - 18 x 2-1/2" 12 point flange	4



HEAT EXCHANGER MOUNTS AND MUFFLER SHIELDS

REF.	PART NO.	DESCRIPTION	REQ'D
1	C 25419	SUPPORT - heat exchanger (448) (use before S/N 14028535)	1
1	C 29283	SUPPORT - heat exchange (448) (use S/N 14028535 and after)	1
1	C 23482	SUPPORT - heat exchanger (446) shown	1
2	113- 118	BOLT - 5/16" x 5/8"	4
3	C 25422	SHIELD - heat, muffler	1
4	113- 1	BOLT - 1/4" - 20 x 1/2" hex	2
5	C 23558	PAD - insulation	1
6	C 23559	RETAINER - insulation	1
7	C 25164	RETAINER - heat exchanger (448)	4
8	C 28987	WASHER - heat exchanger bracket	2
9	187- 1252	SCREW - 1/4" x 1-1/2" flat head Phillips	3
10	192- 19	LOCK WASHER - 1/4"	2





CASE MODEL 446 AND 448 COMPACT TRACTORS

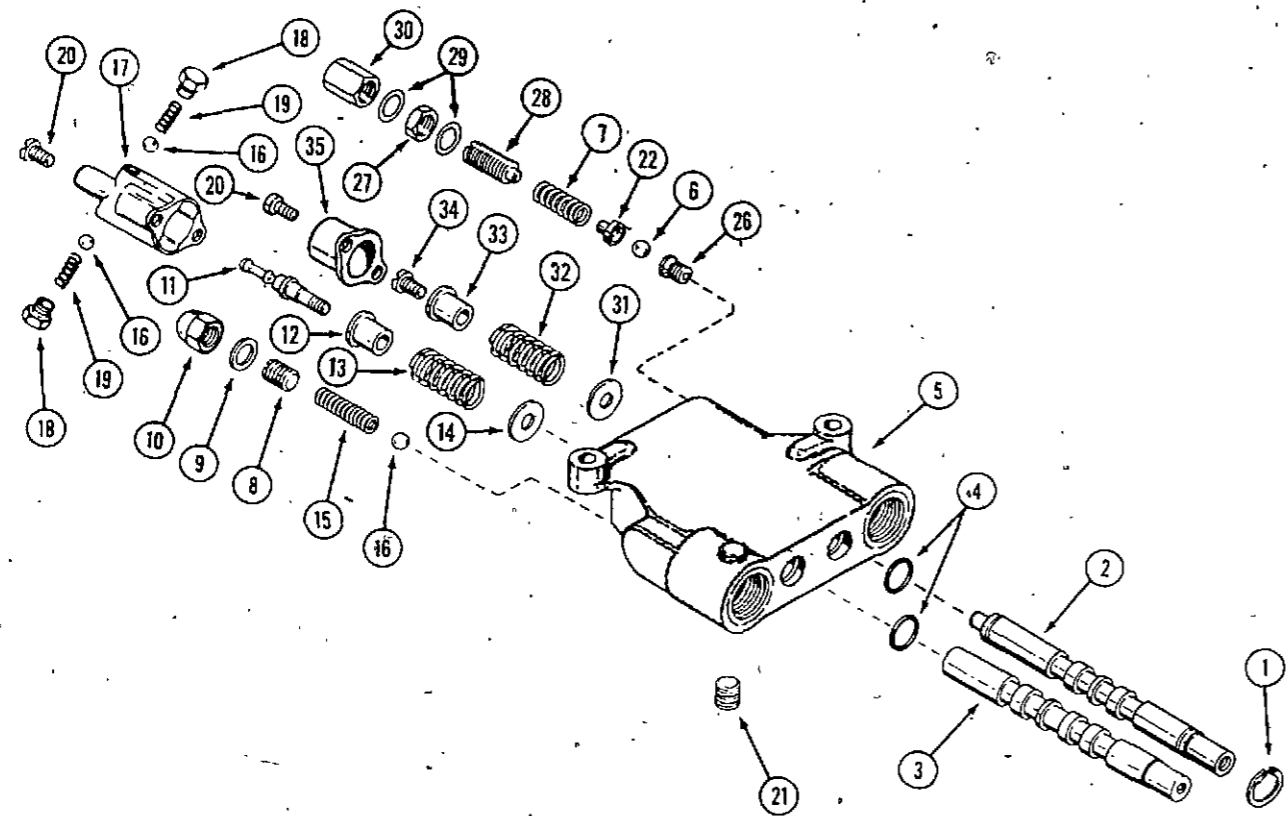
HYDRAULIC CONTROL VALVE (TWO SPOOL)

446 (use before S/N 9787653)  
448 (use before S/N 9789869)

REF.	PART NO.	DESCRIPTION	REQ'D
	NSS	VALVE - control, two spool (use C27217)	1
1	C 28699	RING - retaining	2
2	NSS	SPOOL - motor (order C27217)	1
3	NSS	SPOOL - lift (order C27217)	1
4	C 28856	SEAL - spool	4
5	NSS	BODY - valve (order C27217)	1
6	211- 208	BALL - steel 5/16" (7.94 mm)	1
7	C 21507	SPRING - relief	2
8	C 17433	SCREW - relief adjust	1
9	C 17435	GASKET - relief adjust cap	1
10	129- 531	CAP - adjust screw	2
11	C 17439	DETENT - spool	1
12	C 13200	SPACER - detent	1
13	C 26431	SPRING - detent return	1
14	C 17440	WASHER - return	1
15	NSS	SPRING - relief (use C21511 kit)	1
16	211- 7	BALL - steel 1/4" (6.35 mm)	3
17	C 17438	COVER - detent	1
18	C 17443	SCREW - detent	2
19	C 17444	SPRING - detent	2
20	169- 114	SCREW - cover	2
21	221- 841	PLUG - pipe	1
22	C 21506	RETAINER - ball seat	1
23	C 21509	SCREW - adjust, relief	1
24	C 21508	GASKET - adjust cap	1
25	C 21510	CAP - adjust screw	1
26	C 26663	SEAT - relief ball	1
27	129- 166	NUT - lock	1
28	C 26665	SCREW - adjust, relief	1
29	C 26664	GASKET - adjust cap	2
30	C 26666	CAP - adjust screw	1
	C 21511	KIT - relief (includes items 8, 9, 10, 15 and 16)	1
	C 18851	KIT - detent (includes items 11, 12, 13, 14, 16, 17, 18, 19 and 20)	1

DRAWBAR AND TOW HITCH

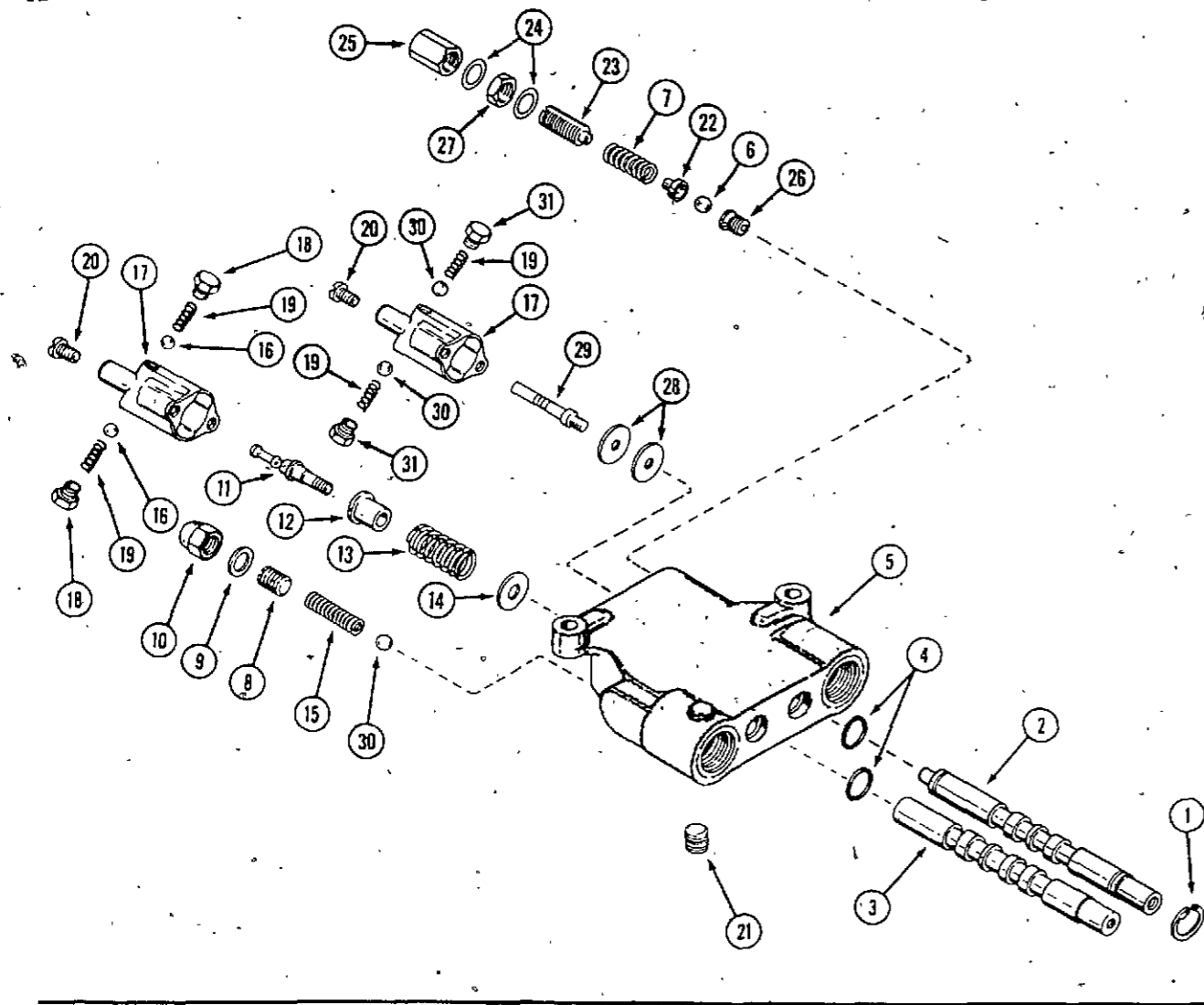
1	C 13360	DRAWBAR	1
2	192- 23	LOCK WASHER - 1/2"	2
3	113- 424	BOLT - 1/2" x 1" N.C. hex	2



CASE MODEL 446 AND 448 COMPACT TRACTORS  
 HYDRAULIC CONTROL VALVE (TWO SPOOL)  
 446 (use 9787653 and after)  
 448 (use 9789869 and after)

REF.	PART NO.	DESCRIPTION	REQ'D
	NSS	VALVE - control, two spool (use C27217)	1
1	C 28699	RING - retaining	2
2	NSS	SPOOL - motor (order C27217)	1
3	NSS	SPOOL - lift (order C27217)	1
4	C 28856	SEAL - spool	4
5	NSS	BODY - valve (order C27217)	1
6	211- 208	BALL - steel 5/16" (7.94 mm)	1
7	C 21507	SPRING - relief	2
8	C 17433	SCREW - relief adjust	1
9	C 17435	GASKET - relief adjust cap	1
10	129- 531	CAP - adjust screw	2
11	C 26668	DETENT - spool	1
12	C 28707	SPACER - detent	1
13	C 28706	SPRING - detent return	1
14	C 28705	WASHER - return	1
15	NSS	SPRING - relief (use C21511 kit)	1
16	211- 7	BALL - steel 1/4" (6.35 mm)	3
17	C 17438	COVER - detent	1
18	C 28708	SCREW - detent	2
19	C 17444	SPRING - detent	2
20	169- 114	SCREW - cover	4
21	221- 841	PLUG - pipe	1
22	C 21506	RETAINER - ball seat	1
26	C 26663	SEAT - relief ball	1
27	129- 166	NUT - lock	1
28	C 26665	SCREW - adjust, relief	1
29	C 26664	GASKET - adjust cap	2
30	C 26666	CAP - adjust screw	1
31	195- 521	WASHER - return	1
32	C 26382	SPRING - return	1
33	C 26667	SPACER - return	1
34	193- 524	SCREW - return spacer	1
35	C 18847	COVER - return	1
36	211- 5	BALL - steel 3/16"	2
	C 21511	KIT - relief (includes items 8, 9, 10, 15 and 16)	1
	C 18851	KIT - detent (includes items 11, 12, 13, 14, 16, 17, 18, 19 and 20)	1

NOTE: C27217 Travel control detent kit is available to change this valve over to the current travel detent style. See page 47D for parts list



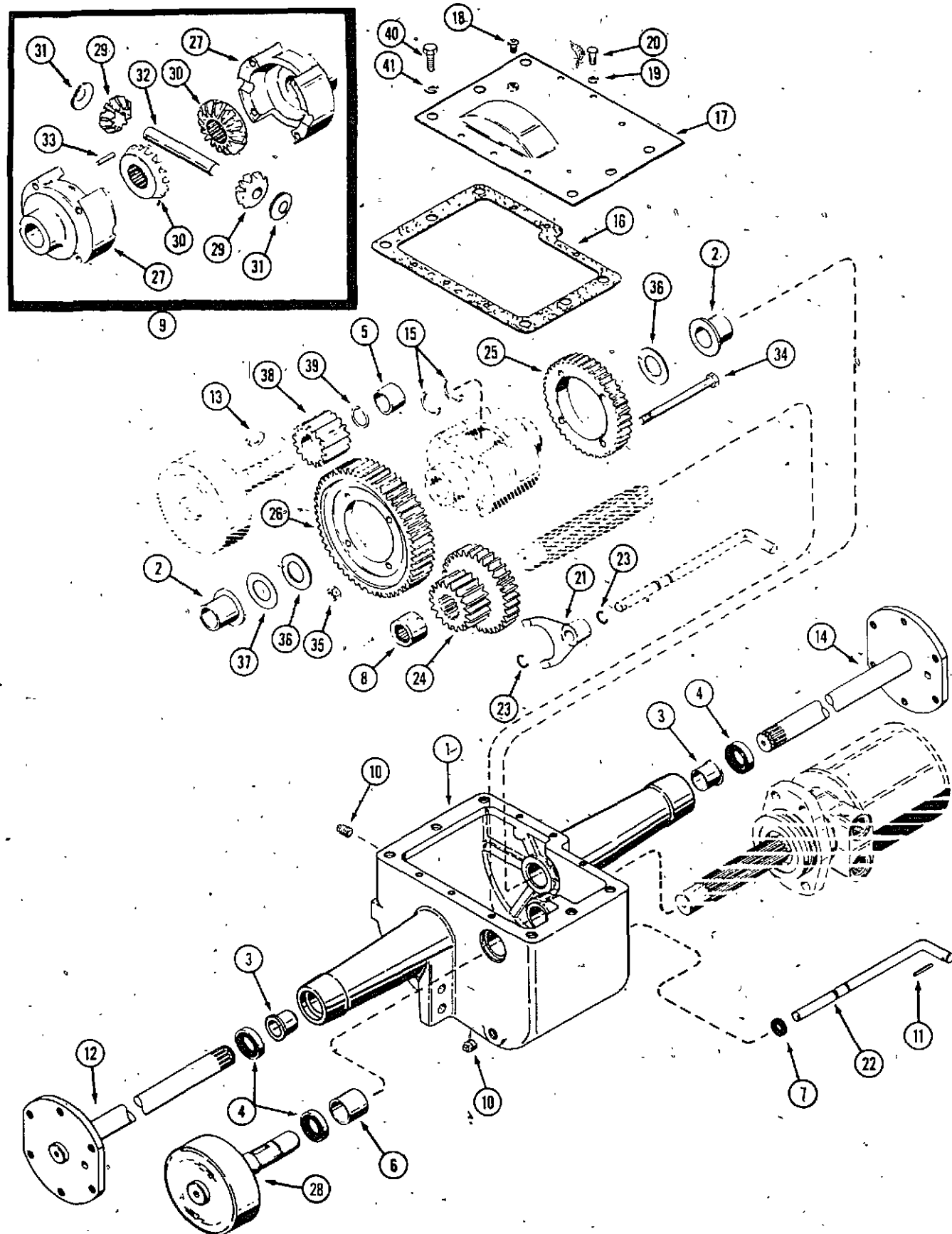
CASE MODEL 446 AND 448 COMPACT TRACTORS

HYDRAULIC CONTROL VALVE (TWO SPOOL)  
(Service Valve)

REF.	PART NO.	DESCRIPTION	REQ'D
	C 27217	VALVE - control, two spool	1
1	C 28699	RING - retaining	2
2	NSS	SPOOL - motor (order C27217)	1
3	NSS	SPOOL - lift (order C27217)	1
4	C 28856	SEAL - spool	4
5	NSS	BODY - valve (order C27217)	1
6	211- 208	BALL - steel 5/16" (7.94 mm)	1
7	C 21507	SPRING - relief	2
8	C 17433	SCREW - relief adjust	1
9	C 17435	GASKET - relief adjust cap	1
10	129- 531	CAP - adjust screw	2
11	C 26668	DETENT - spool	1
12	C 28707	SPACER - detent	1
13	C 28706	SPRING - detent return	1
14	C 28705	WASHER - return	1
15	NSS	SPRING - relief (use C21511 kit)	1
16	211- 5	BALL - steel 3/16" (4.763 mm)	3
17	C 17438	COVER - detent	1
18	C 28708	SCREW - detent	2
19	C 17444	SPRING - detent	2
20	169- 114	SCREW - cover	4
21	221- 841	PLUG - pipe	1
22	C 21506	RETAINER - ball seat	1
23	C 26665	SCREW - adjust, relief	1
24	C 26664	GASKET - adjust cap	1
25	C 26666	CAP - adjust screw	1
26	C 26663	SEAT - relief ball	1
27	129- 166	NUT - lock	1
28	195- 521	WASHER	2
29	C 27219	DETENT - spool	1
30	211- 7	BALL - steel 1/4" (6.35 mm)	2
31	C 17443	SCREW - detent	2
	C 21511	KIT - relief (includes items 8, 9, 15 and 30)	1

C27271 TRAVEL CONTROL DETENT KIT

17	C 17438	COVER - detent	1
19	C 17444	SPRING - detent	2
20	169- 114	SCREW - cover	2
28	195- 521	WASHER - detent	2
29	C 27219	DETENT - spool	1
30	211- 7	BALL - steel 1/4" (6.35 mm)	2
31	C 17443	SCREW - detent	2
	C 28003	SWITCH - neutral start	1



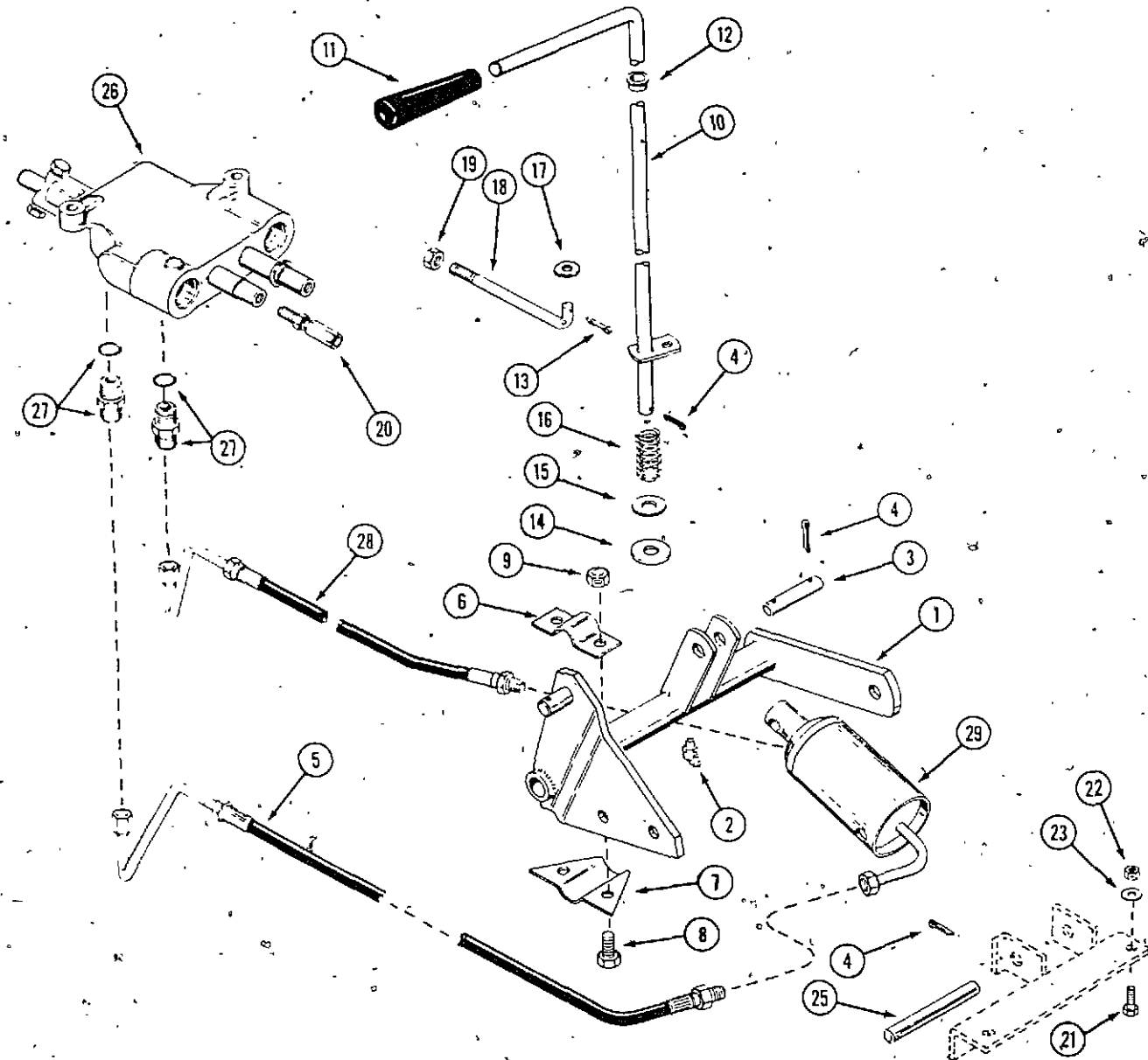
CASE MODEL 446 AND 448 COMPACT TRACTOR

TRANSMISSION AND FINAL DRIVE

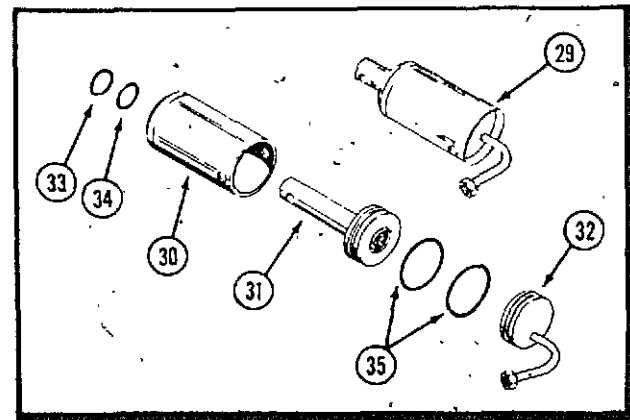
REF.	PART NO.	DESCRIPTION	REQ'D
	C 24843	CASE ASSEMBLY - transmission	1
1	NSS	CASE - transmission (order C24843 assembly)	1
2	C 12713	BEARING - flange	2
3	C 24804	BEARING - flange	2
4	C 24803	SEAL - shaft	3
5	C 13241	BEARING - sleeve	1
6	C 13385	BEARING - sleeve	1
7	C 13266	SEAL - shift rod	1
8	C 28281	BEARING - roller	1
9	C 30029	DIFFERENTIAL-ASSEMBLY	1
10	221- 843	PLUG - filler and drain 3/8" (late production)	2
10	221- 844	PLUG - filler and drain 1/2" (early production)	2
11	138- 2073	PIN - roll 3/16" x 1-1/4"	1
12	C 22638	SHAFT - axle, short R.H.	1
13	126- 128	KEY - Woodruff, brake idler	1
14	C 22637	SHAFT - axle, long L.H.	1
15	C 26342	RING - retainer, axle	2
16	C 13196	GASKET - transmission cover	1
17	C 13197	COVER - transmission	1
18	C 28241	BREATHER - transmission	1
19	192- 19	LOCK WASHER - 1/4"	6
20	121- 21	BOLT - 1/4" x 1/2" N.C. hex	6
21	C 12725	FORK - shift	1
22	C 24802	ROD - gear shift	1
23	C 14168	RING - retaining	2
24	C 14644	GEAR - cluster input	1
25	NSS	GEAR - high 41 tooth (use C30030 and C30031)	1
26	C 12552	GEAR - low 55 tooth	1
27	NSS	DIFFERENTIAL CASE	1
28	C 25258	BRAKE DRUM	1
29	NSS	GEAR - differential pinion	2
30	NSS	GEAR - differential	2
31	NSS	WASHER - pinion thrust	2
32	NSS	PIN - differential	1
33	NSS	PIN - differential pin lock	1
34	28- 680	SCREW - 3/8" x 5" N.F. hex cap	4
35	131- 1133	NUT - lock 3/8" N.F. hex	4
36	C 12718	WASHER - differential	2
37	C 14223	WASHER - spacer	1
38	C 25254	GEAR - brake idler	1
39	C 14222	RING - retainer, brake idler	1
40	113- 424	BOLT - 1/2" - 13 x 1" hex	3
40	166- 86	BOLT - 1/2" - 13 x 1-1/4" flange	1
41	192- 23	LOCK WASHER - 1/2"	4

UAR

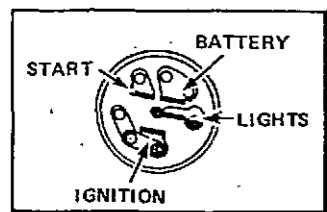
HYDRAULIC LIFT



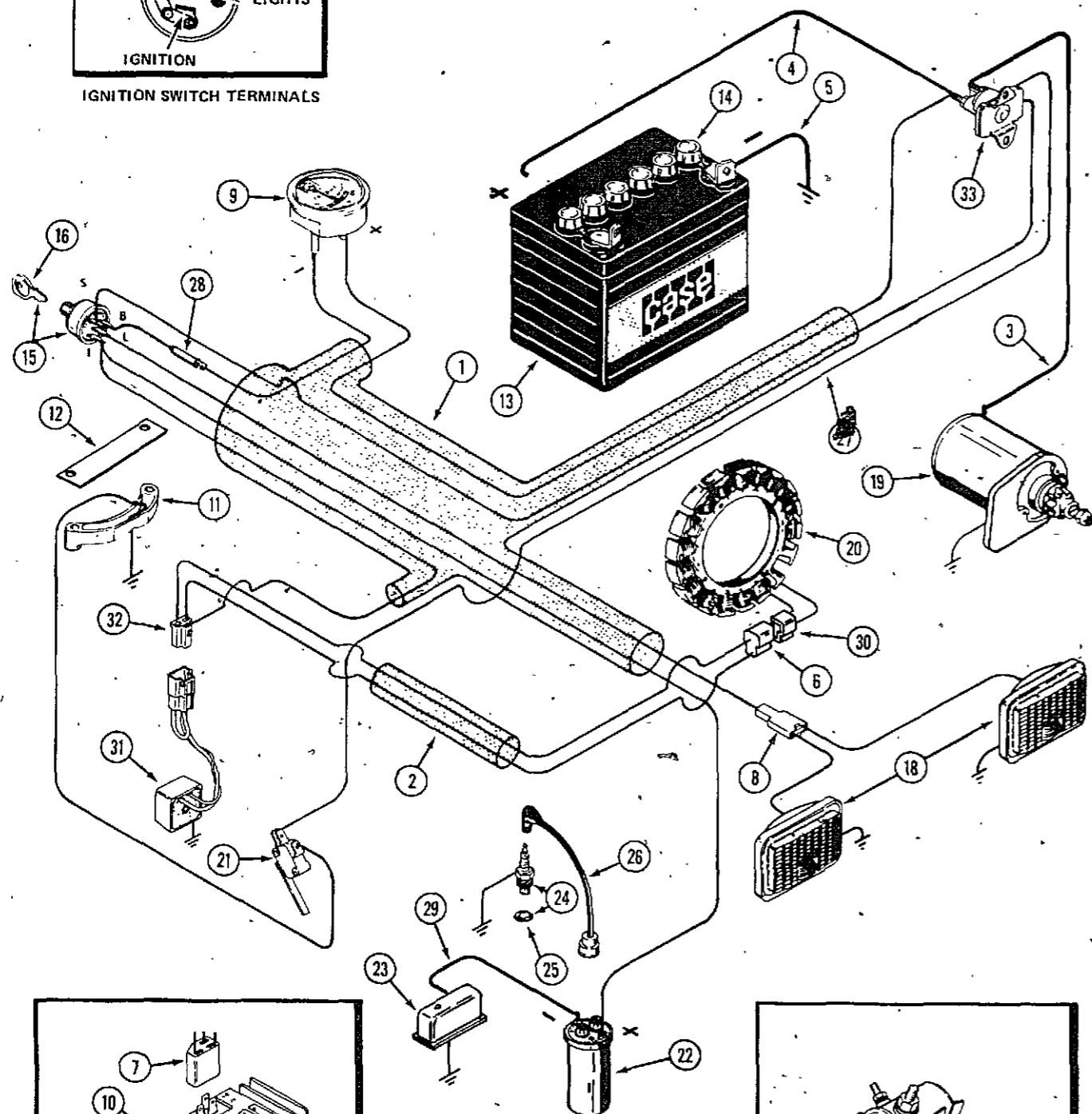
REF.	PART NO.	DESCRIPTION	REQ'D
1	C 19661	SHAFT ASSEMBLY - lift	1
2	219- 404	FITTING - lubrication	1
3	C 18251	PIN - cylinder to lever	1
4	132- 310	PIN - cotter 1/8" x 1"	5
5	C 17734	HOSE - long	1
6	C 17249	BRACKET - mounting, top	2
7	C 17250	BRACKET - mounting, bottom	2
8	113- 207	BOLT - 3/8" x 1" N.C. hex	4
9	131- 1181	NUT - 3/8" N.C. hex	4
10	C 29408	LEVER - lift control	1
11	C 28237	KNOB - control lever	1
12	C 27593	BUSHING - lift lever	1
13	132- 320	PIN - cotter 3/32" x 3/4"	1
14	195- 533	WASHER - 1/2"	1
15	C 21518	WASHER - nylon	1
16	C 27822	SPRING - control lever	1
17	195- 521	WASHER - 5/16"	1
18	C 18742	ROD - control	1
19	129- 122	NUT - 5/16" N.F. hex	1
20	C 19025	BALL JOINT	1
21	113- 207	BOLT - 3/8" x 1" N.C. hex	2
22	131- 1181	NUT - lock 3/8" N.C. hex	2
23	195- 104	WASHER - 3/8" x 1-1/8" O.D.	2
25	C 26188	PIN - cylinder base	1
26	C 27217	VALVE - hydraulic, two spool	1
27	218- 5056	FITTING - valve (includes 218-5004 "O" ring)	2
28	C 17224	HOSE - short	1
29	NSS	CYLINDER - lift (use C27590 cylinder and C28702 pin)	1
30	C 16133	BODY - cylinder	1
31	C 19104	ROD AND PISTON ASSEMBLY	1
32	C 17732	BASE - cylinder	1
33	C 14970	SEAL	1
34	C 28487	"O" RING	1
35	C 28697	"O" RING	2
	C 13106	COVER - lubrication fitting	1



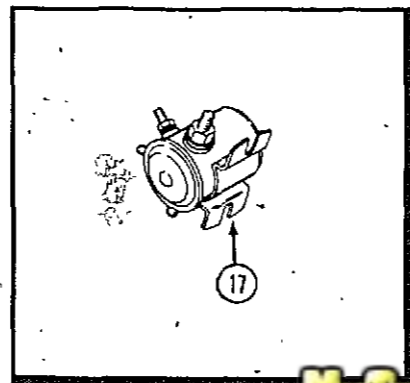
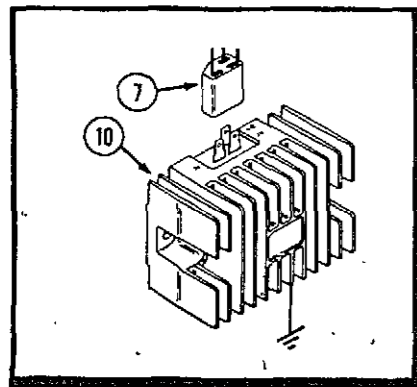
ELECTRICAL SYSTEM

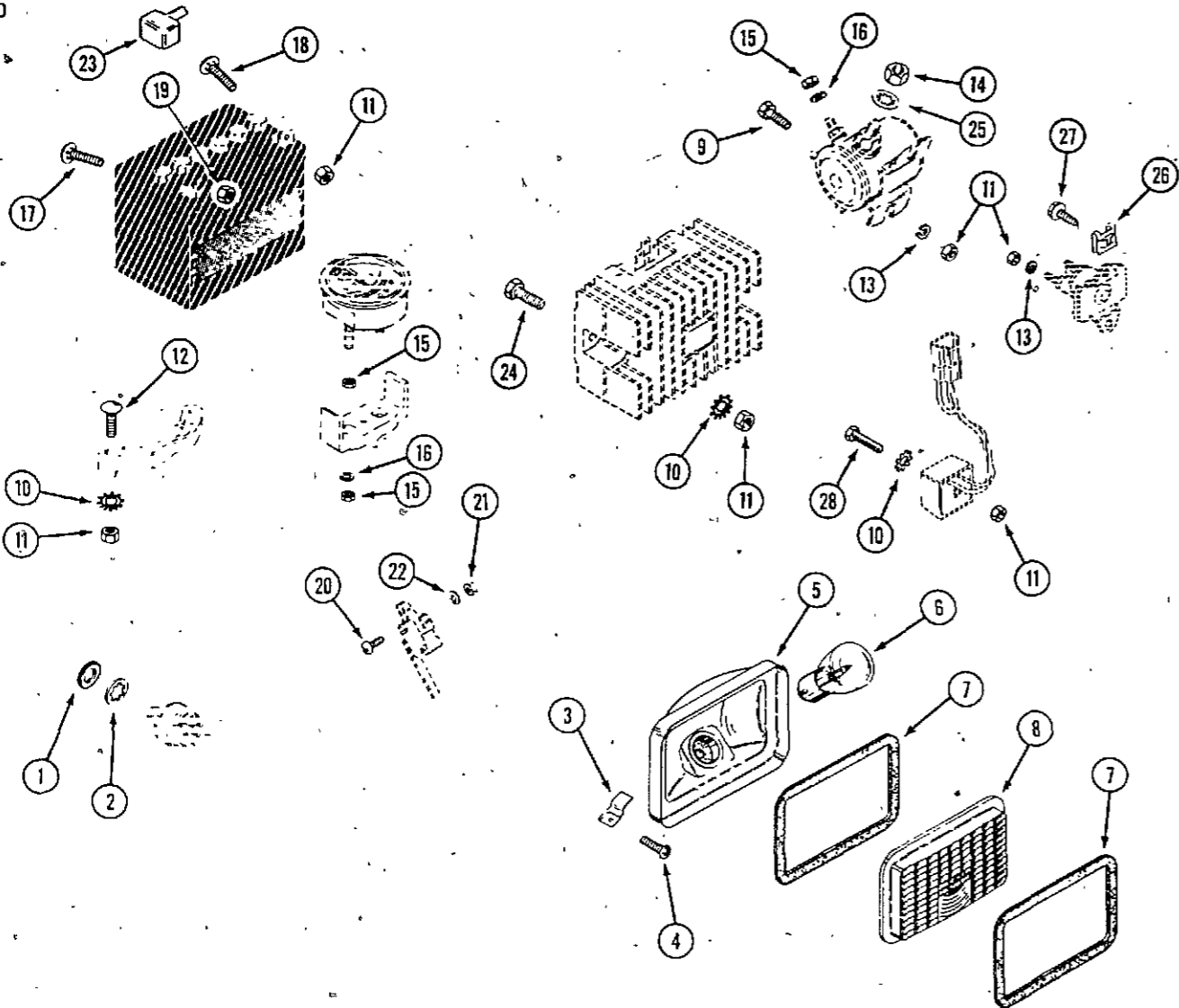


IGNITION SWITCH TERMINALS



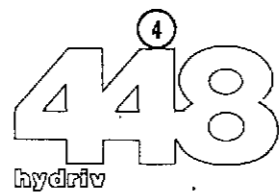
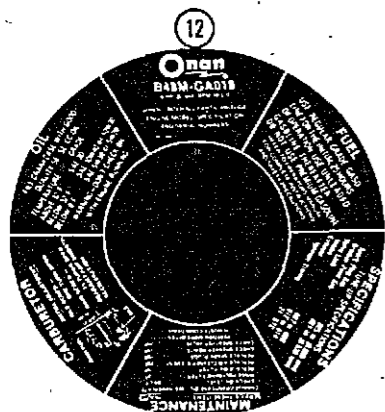
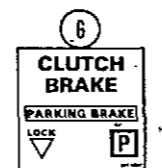
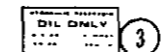
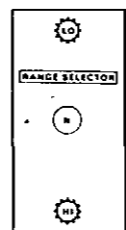
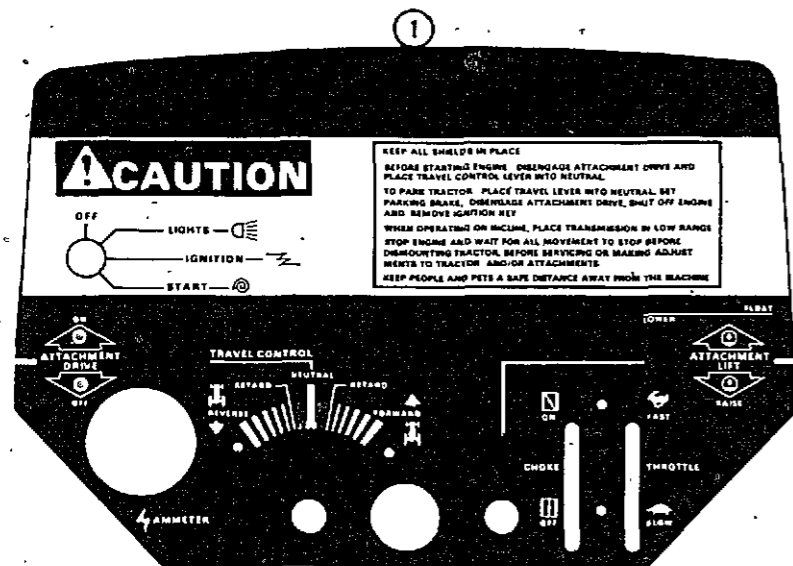
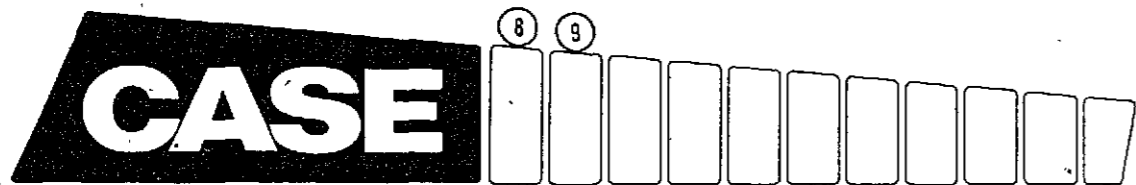
REF.	PART NO.	DESCRIPTION	REQ'D
1	C 24898	HARNESS - wire (use before S/N 9786764 - 446, S/N 9789345 - 448) ...	1
1	C 25564	HARNESS - wire (use S/N 9786764 - 446, S/N 9789345 - 448 and after) ...	1
2	C 24815	HARNESS - wire	1
3	C 24809	CABLE - solenoid to starter (black)	1
4	C 14565	CABLE - solenoid to battery positive (red)	1
5	C 24814	CABLE - battery negative to ground (black)	1
6	C 24813	CONNECTOR - stator	1
7	C 19378	CONNECTOR - rectifier (early production)	1
8	C 14537	CONNECTOR - lights	1
9	C 29413	AMMETER - 30-amperes, 12v	1
10	NSS	RECTIFIER - voltage, 12v (early production) (use C27509)	1
11	C 23002	SWITCH - neutral start (includes wire)	1
12	C 21989	INSULATOR - locator	1
13	NSS	BATTERY - 12v (use C31212)	1
14	C 18113	CAP - battery	6
15	C 30268	SWITCH ASSEMBLY - ignition (includes key and lock washer)	1
16	C 27751	KEY - ignition	1
17	C 14553	SOLENOID - start 12v (use before S/N 9786764 - 446, S/N 9789345 - 448)	1
18	C 22571	HEADLIGHT ASSEMBLY - 12v (repairs page 61)	2
19	C 29733	STARTER - (repairs page 17)	1
20	C 24956	STATOR	1
21	C 26108	SWITCH - neutral start, PTO	1
22	C 20349	COIL - ignition, 12v	1
23	C 29990	BREAKER CONTACT ASSEMBLY - ignition (repairs page 19)	1
24	C 25845	SPARK PLUG - (includes gasket)	2
25	C 28673	GASKET - spark plug	1
26	C 24955	CABLE - spark plug	2
27	C 24896	WIRE - solenoid to switch (use before S/N 9786764 - 446, S/N 9789345 - 448)	1
27	C 25563	WIRE - solenoid to switch (use S/N 9786764 - 446, S/N 9789345 - 448 and after)	1
28	223- 20	FUSE - 20 amperes (included in harness)	1
29	C 29992	WIRE - breaker contacts to coil negative	1
30	C 25338	CONNECTOR - stator	1
31	C 27509	RECTIFIER - voltage, 12v (late production)	1
32	C 25486	CONNECTOR - rectifier (late production)	1
33	NSS	SOLENOID - start, 12v (use S/N 9786764 - 446, S/N 9789345 - 448 and after) (use C26525)	1





ELECTRICAL SYSTEM HARDWARE

REF.	PART NO.	DESCRIPTION	REQ'D
1	C 23330	NUT - switch mounting	1
2	C 23012	LOCK WASHER - internal tooth	1
3	131- 629	NUT - speed type "U"	4
4	187- 1334	SCREW - No. 8 x 1/2" self-tapping, round head Phillips	4
	C 22571	HEADLIGHT ASSEMBLY	2
5	NSS	RECEPTACLE - headlight (order C22571)	1
6	C 28932	BULB - headlight	1
7	C 14304	GASKET - headlight	2
8	C 22573	LENS - headlight	1
9	113- 1	BOLT - 1/4" - 20 x 1/2" hex	2
10	193- 57	LOCK WASHER - 1/4" external tooth	4
11	129- 101	NUT - 1/4" - 20 hex	2
12	111- 139	BOLT - 1/4" - 20 x 1" round head, square neck	2
13	192- 19	LOCK WASHER - 1/4"	2
14	129- 162	NUT - 5/16" NF hex	2
15	129- 37	NUT - No. 10 N.F. hex	8
16	193- 99	LOCK WASHER - No. 10	6
17	111- 202	BOLT - 5/16" x 3/4" N.C. round head, square neck	1
18	111- .108	BOLT - 1/4" x 3/4" N.C. round head, square neck	1
19	129- 102	NUT - 5/16" NC hex	1
20	182- 10	SCREW - No. 4 - 40 x 7/8"	2
21	129- 13	NUT - No. 4 - 40 hex	2
22	192- 13	LOCK WASHER - No. 4	2
23	C 24069	COVER - terminal	1
24	113- 3	BOLT - 1/4" - 20 x 3/4" hex	2
25	193- 29	LOCK WASHER - 5/16	2
26	C 10836	NUT - speed type	2
27	187- 1908	SCREW - self tapping	2
28	113- 17	BOLT - 1/4" - 20 x 1-1/4" hex	1
	C 19521	CLIP - headlight wire	1



CASE MODEL 446 AND 448 COMPACT TRACTOR

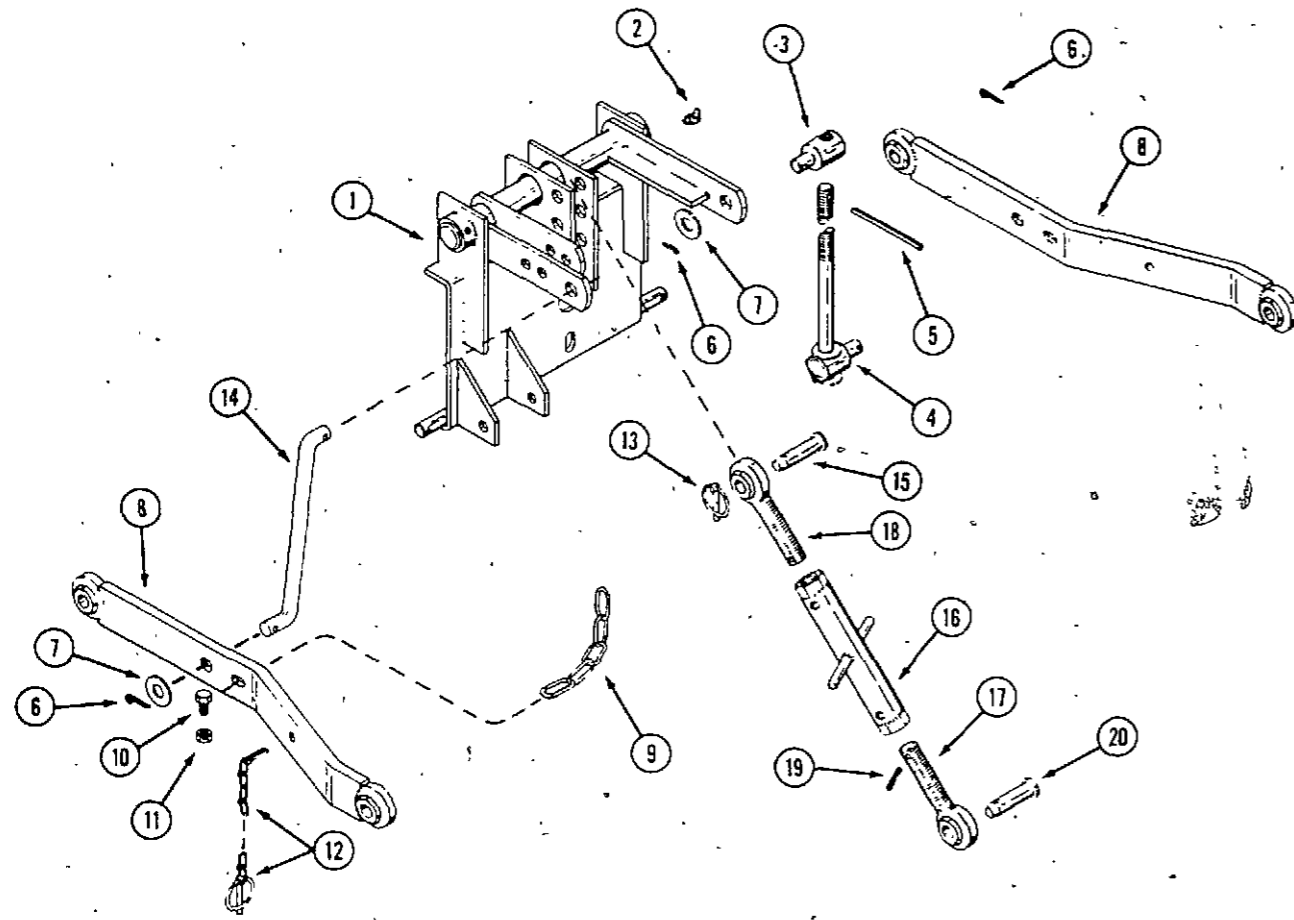
DECALS (English)

REF.	PART NO.	DESCRIPTION	REQ'D
1	321- 3585	DECAL - instrument panel	1
2	C 29031	DECAL - gasoline	1
3	321- 4767	DECAL - hydraulic reservoir	1
4	321- 5930	DECAL - hood top (448)	1
5	321- 1788	DECAL - shift range	1
6	NSS	DECAL - clutch, brake (use C27481)	1
7	321- 5107	DECAL - hood top (446)	1
8	321- 5100	DECAL - hood R.H. (shown)	1
9	321- 5101	DECAL - hood L.H.	1
10	321- 5040	MEDALLION - "Case"	1
11	321- 5097	DECAL - "Case" seat back	1
12	C 26656	DECAL - air cleaner (446)	1
12	C 26657	DECAL - air cleaner (448)	1

(French and English)

1	321- 4734	DECAL - instrument panel	1
2	321- 4728	DECAL - gasoline	1
3	321- 4764	DECAL - hydraulic reservoir	1
4	321- 4697	DECAL - parking brake	1
5	321- 4693	DECAL - shift range	1
6	321- 4696	DECAL - clutch, brake	1



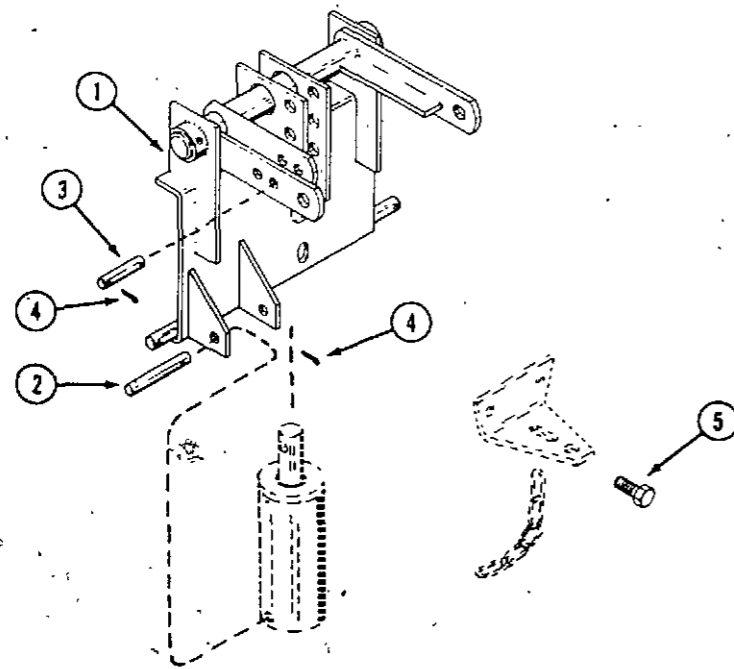


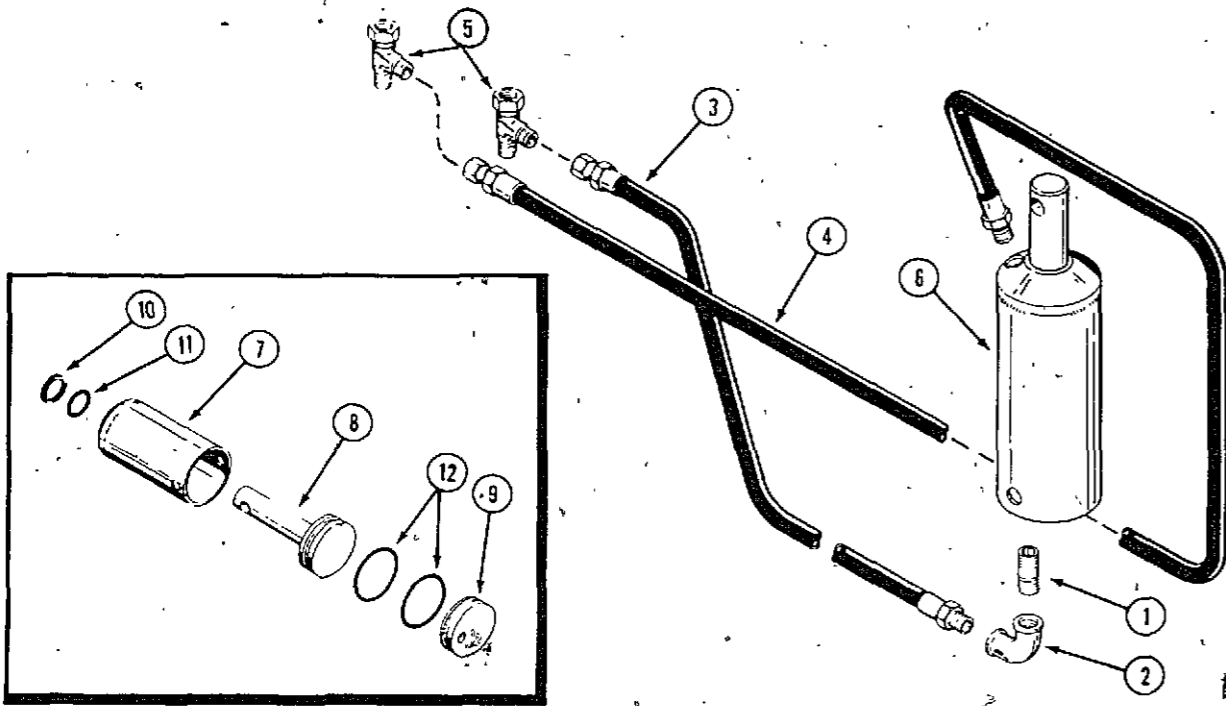
**J26 THREE POINT HITCH  
FRAME, LIFT RODS AND ARMS**

REF.	PART NO.	DESCRIPTION	REQ'D
1	C 19740	HITCH PLATE ASSEMBLY	1
2	219- 405	FITTING - lubrication	2
	C 24447	ROD ASSEMBLY - R.H. lift	1
3	C 14722	NUT - lift rod	1
4	C 14724	ROD ASSEMBLY - R.H. lift	1
5	138- 308	PIN - roll 1/4" x 3"	1
6	132- 91	PIN - cotter 3/16" x 1"	6
7	195- 541	WASHER - plain 5/8"	4
8	C 14715	ARM - lift	2
9	C 14991	CHAIN - 19 links	1
10	113- 118	BOLT - 5/16" x 5/8" N.C. hex, zinc	2
11	131- 176	NUT - lock 5/16" N.C. hex	2
12	C 28985	PIN - retaining	2
13	C 28222	PIN - retaining	3
14	C 14725	ROD - lift L.H.	1
15	C 14717	PIN - clevis	1
	C 14712	LINK ASSEMBLY	1
16	C 14703	CENTER TUBE ASSEMBLY	1
17	C 14709	BALL END ASSEMBLY - R.H. thread	1
18	C 14710	BALL END ASSEMBLY - L.H. thread	1
19	138- 59	PIN - roll 1/8" x 7/8"	2
20	C 16128	PIN - clevis 5/8" x 3"	1

**J26 THREE POINT HITCH  
CYLINDER AND DRAWBAR MOUNTING**

1	C 19740	HITCH PLATE ASSEMBLY	1
2	C 26188	PIN - lower cylinder mounting	1
3	C 14976	PIN - upper cylinder mounting	1
4	132- 310	PIN - cotter 1/8" x 1"	3
5	113- 417	BOLT - 1/2" x 1-1/4" N.C., hex, zinc	2





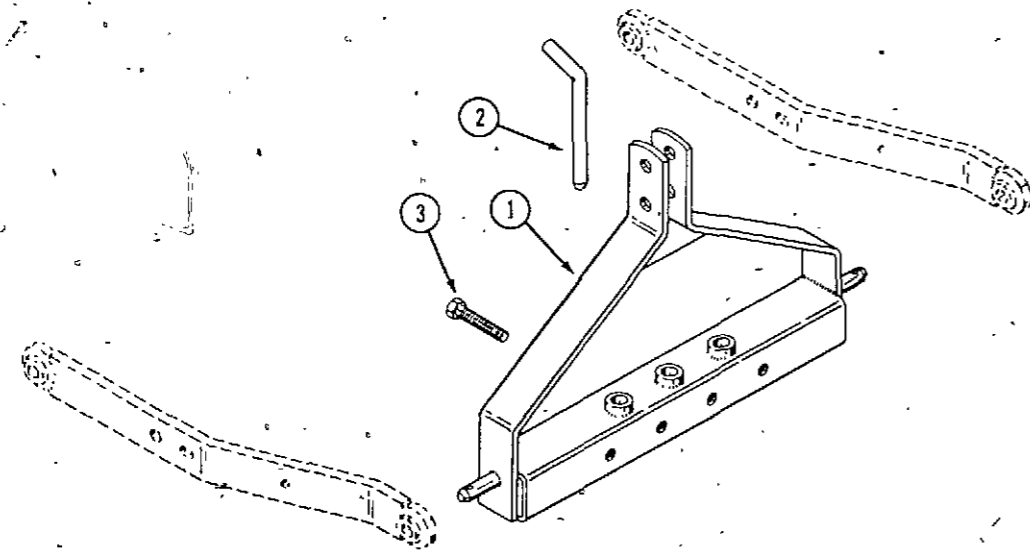
CASE MODEL 446 AND 448 COMPACT TRACTOR

J26 THREE POINT HITCH  
HYDRAULIC CONNECTIONS AND COMPONENTS

REF.	PART NO.	DESCRIPTION	REQ'D
1	221- 1139	NIPPLE - 1/4" x 3"	1
2	221- 1375	ELBOW - 90 degrees	1
3	C 25369	HOSE - hydraulic, short	1
4	C 25368	HOSE - hydraulic, long	1
5	218- 5479	FITTING - "T", swivel (includes 218-5004 "O" ring)	2
6	NSS	CYLINDER ASSEMBLY (use C26494 and C30049)	1
7	C 19476	BODY - cylinder (also use C30049)	1
8	C 19469	ROD AND PISTON ASSEMBLY	1
9	NSS	BASE - cylinder (use C27590 cylinder)	1
10	C 14970	SEAL - wiper	1
11	C 28487	"O" RING	1
12	C 28697	"O" RING	2

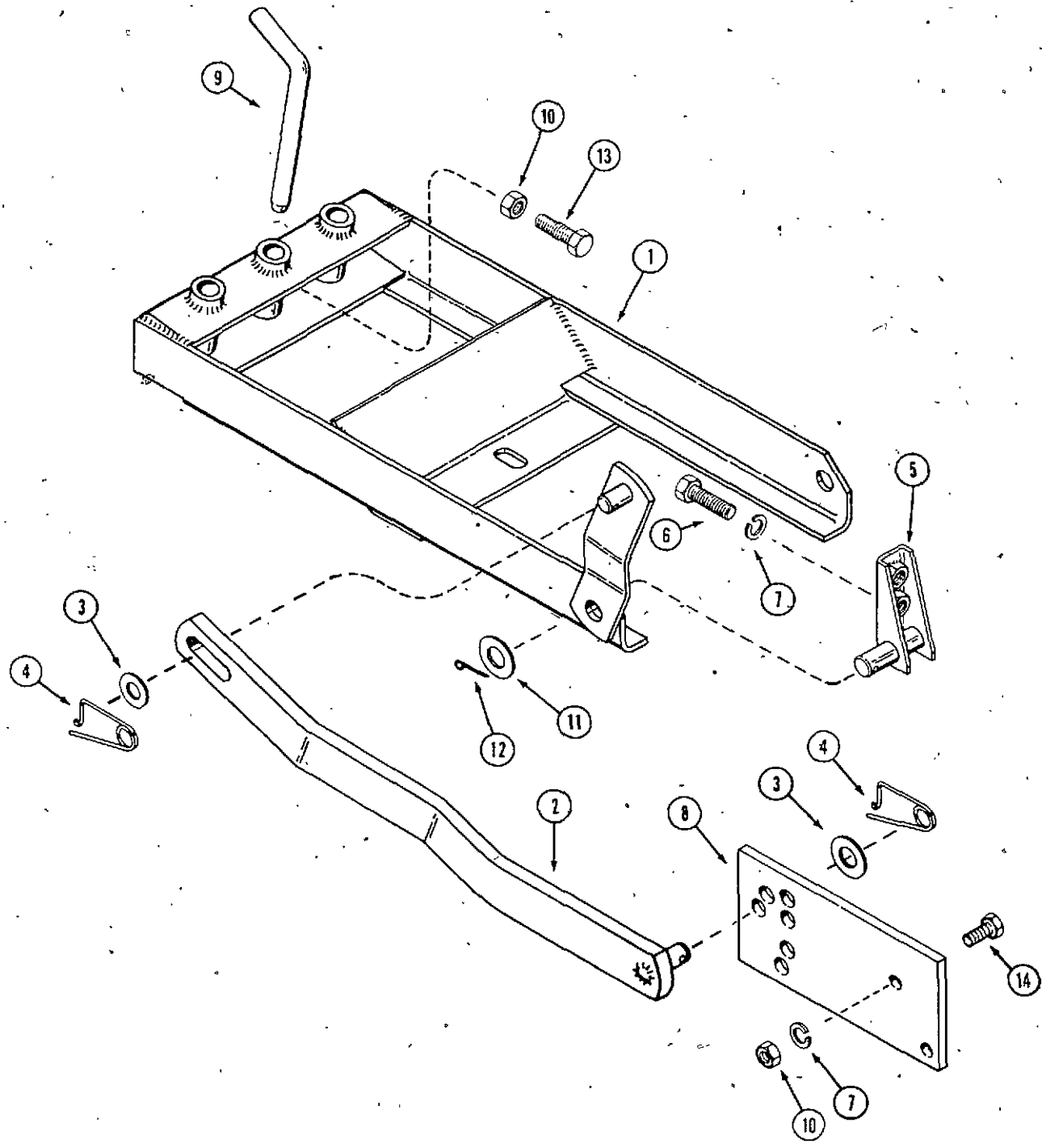
F27 HITCH ADAPTER

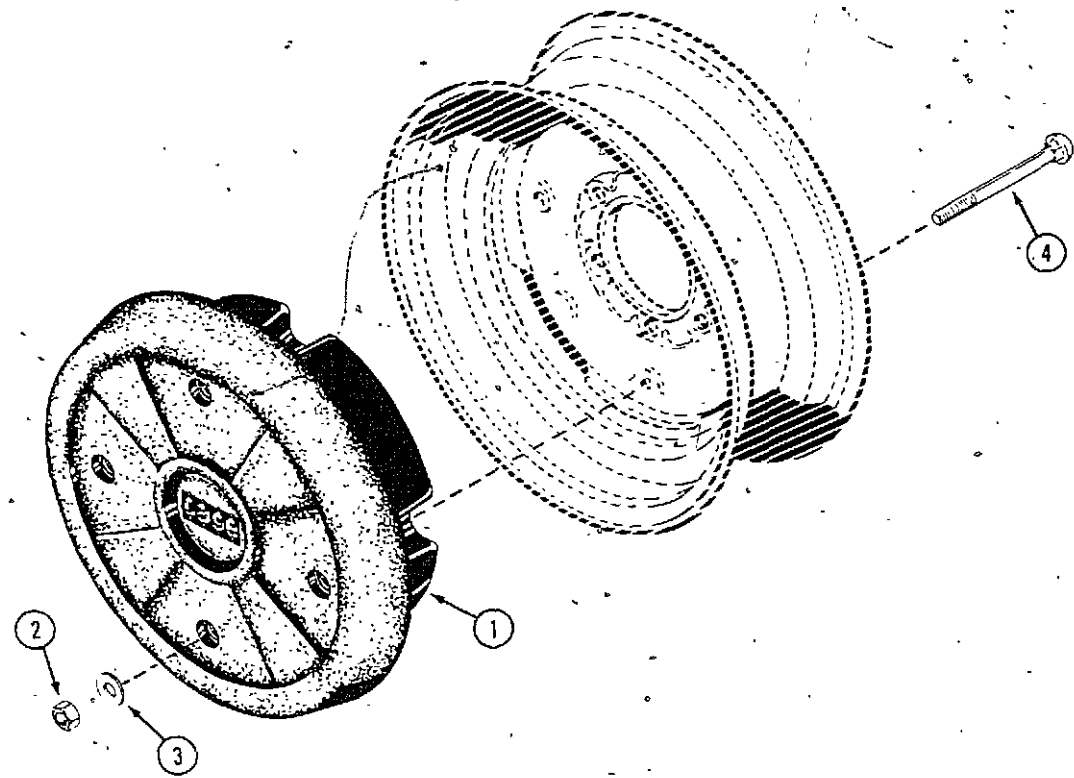
1	C 14872	BRACKET - hitch adapter	1
2	C 14568	PIN - drawbar	1
3	113- 425	BOLT - 1/2" x 3" N. C. hex	4



K24 SLEEVE HITCH

REF.	PART NO.	DESCRIPTION	REQ'D
1	C 22218	HITCH FRAME ASSEMBLY	1
2	C 25371	ARM - lift	1
3	195- 541	WASHER - plain 21/32"	2
4	C 10898	PIN - retaining	2
5	C 14459	BRACKET - hitch mounting R.H. (shown)	1
5	C 25789	BRACKET - hitch mounting L.H.	1
6	113- 410	BOLT - 1/2" x 1-1/2" N.C. hex, zinc	6
7	192- 23	LOCK WASHER - 1/2" zinc	6
8	C 25382	PLATE - lift lever	1
9	C 14568	PIN - drawbar	1
10	129- 105	NUT - 1/2" N.C. hex, zinc	4
11	195- 545	WASHER - plain 3/4" zinc	2
12	132- 306	PIN - cotter 3/16" x 1-3/4"	2
13	22- 844	BOLT - 1/2" x 2" N.C. hex, zinc	2
14	113- 417	BOLT - 1/2" x 1-1/4" hex	2

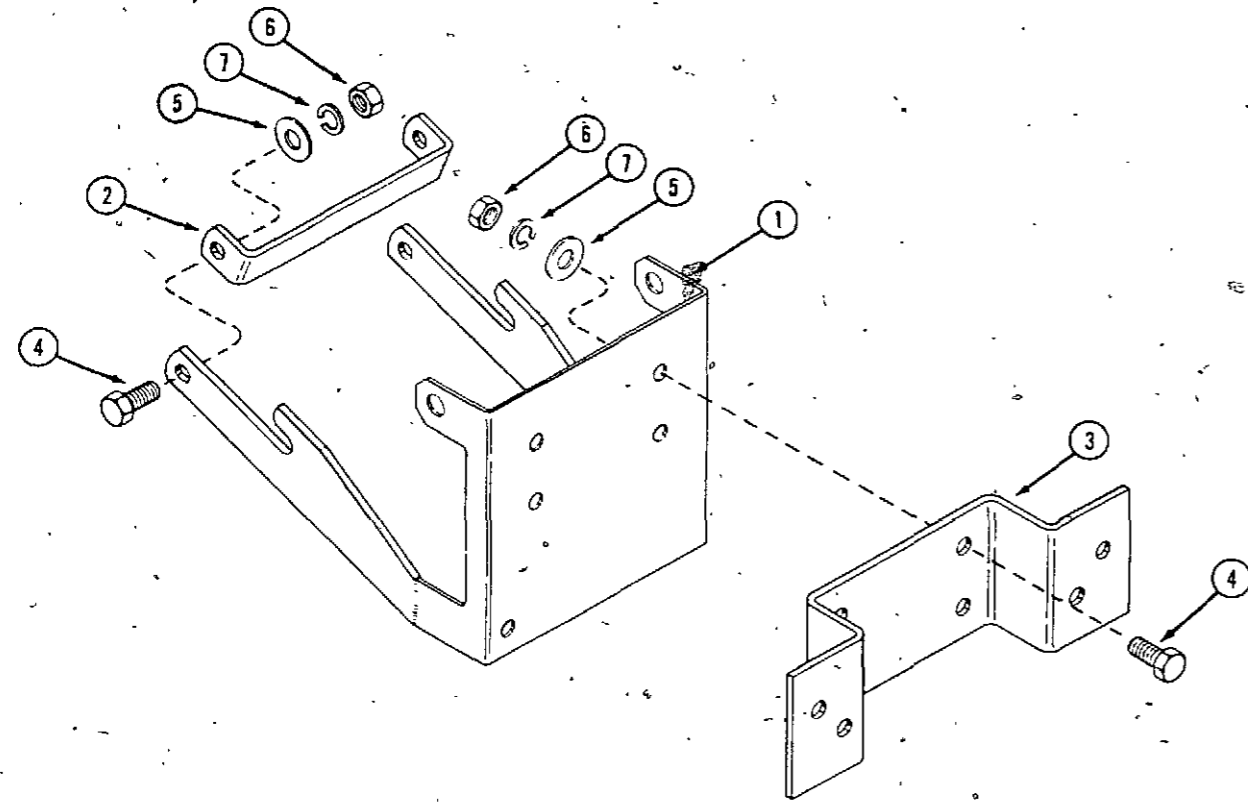




CASE MODEL 446 AND 448 COMPACT TRACTOR

K10 WHEEL WEIGHTS

REF.	PART NO.	DESCRIPTION	REQ'D
1	NSS	WEIGHT - wheel, 75 lb. (order as machinery item)	2
2	131- 1182	NUT - 1/2" N.C. hex	4
3	195- 533	WASHER - 1/2"	8
4	111- 525	BOLT - 1/2" x 6" round head, square neck	8



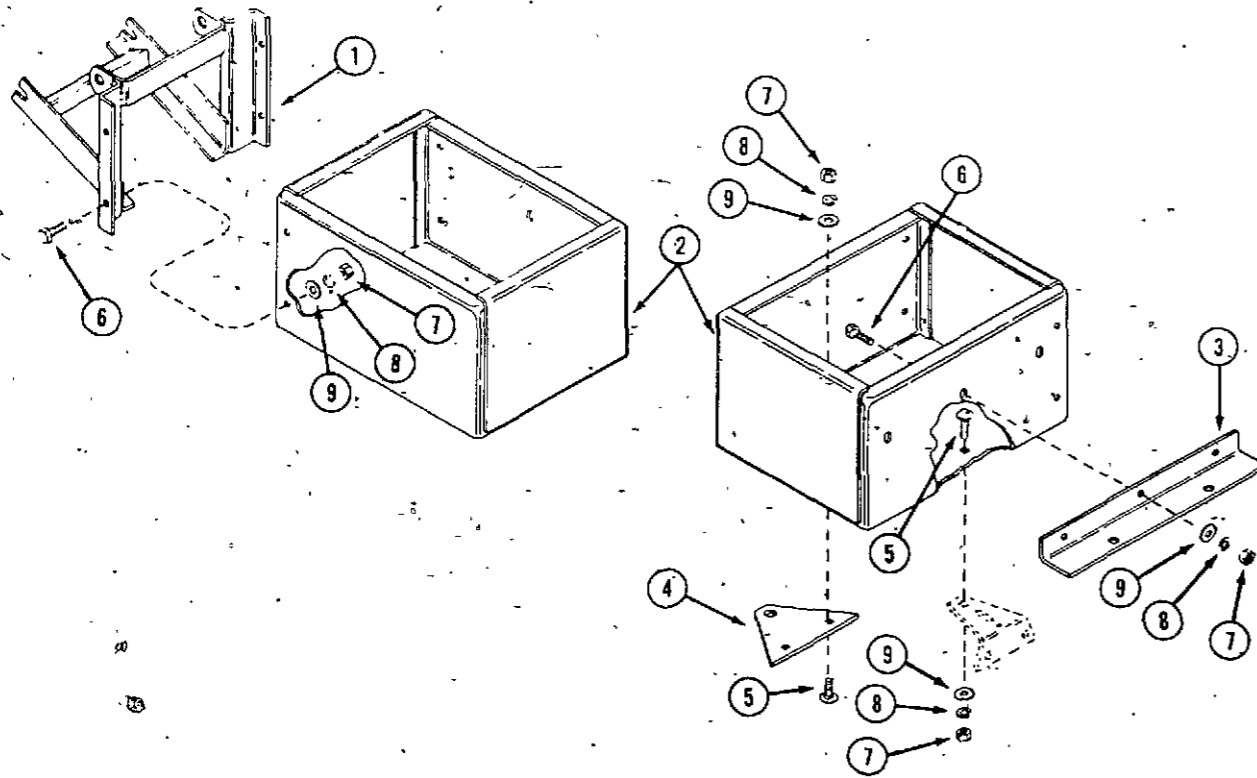
CASE MODEL 446 AND 448 COMPACT TRACTOR

H18 FRONT END WEIGHT BRACKETS

REF.	PART NO.	DESCRIPTION	REQ'D
1	C 16581	BRACKET - mounting	1
2	C 17161	BRACE - rear	1
3	C 17162	BRACKET - weight mounting	1
4	113- 417	BOLT - 1/2" x 1-1/2" N.C. hex, zinc	6
5	195- 533	WASHER - 1/2" zinc	6
6	129- 105	NUT - 1/2" N.C. hex, zinc	6
7	192- 23	LOCK WASHER - 1/2"	6

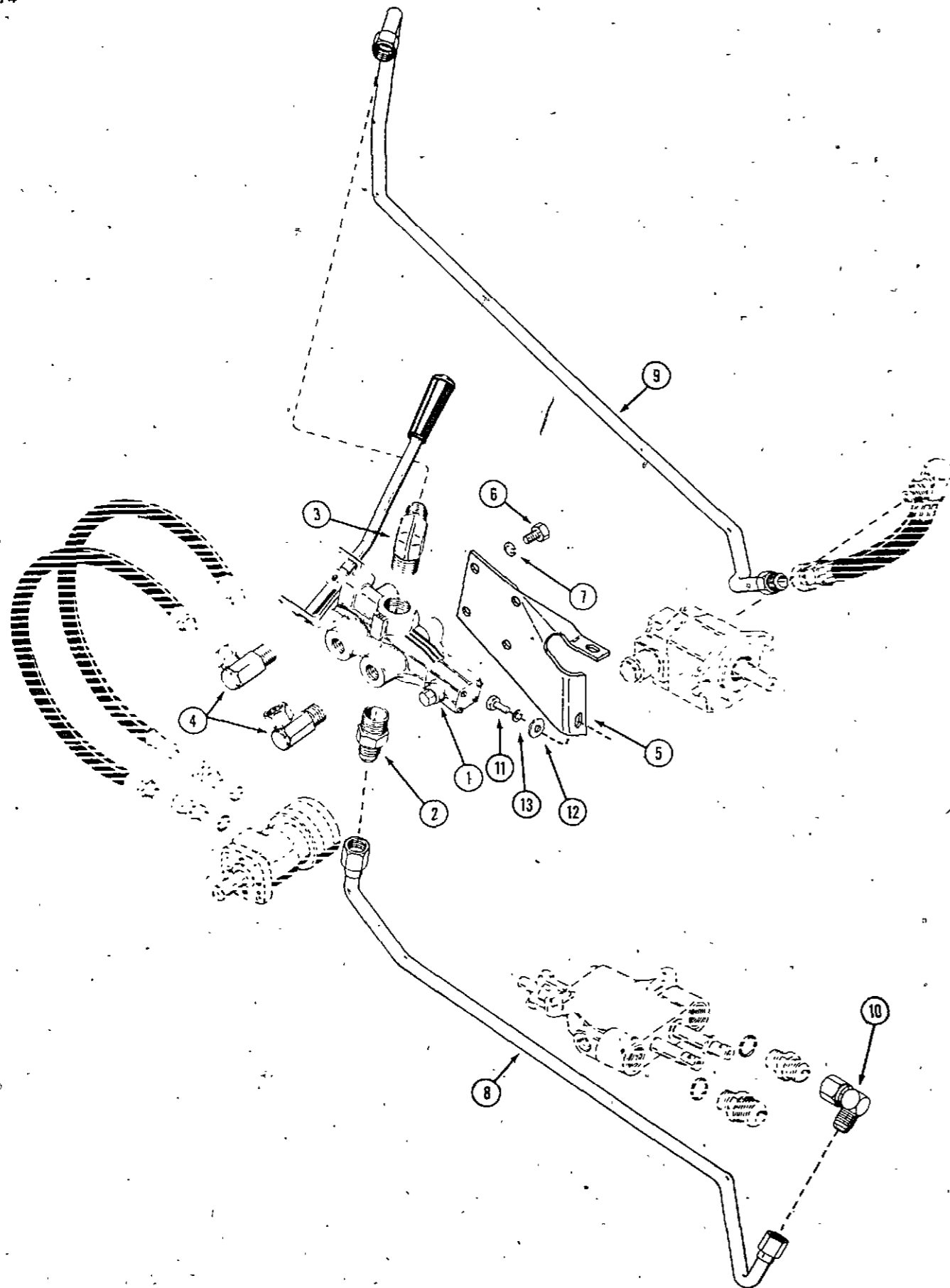
H13 WEIGHT BOX

REF.	PART NO.	DESCRIPTION	REQ'D
1	C 17859	FRAME - weight box	1
2	C 17863	BOX - weight	1
3	C 17860	SUPPORT - weight box	1
4	C 17636	PLATE - hitch	1
5	111- 371	BOLT - 3/8" x 1" round head, square neck	3
6	113- 207	BOLT - 3/8" x 1" N.C. hex	4
7	129- 103	NUT - 3/8" N.C. hex	7
8	192- 21	LOCK WASHER - 3/8"	7
9	195- 525	WASHER - 3/8"	7



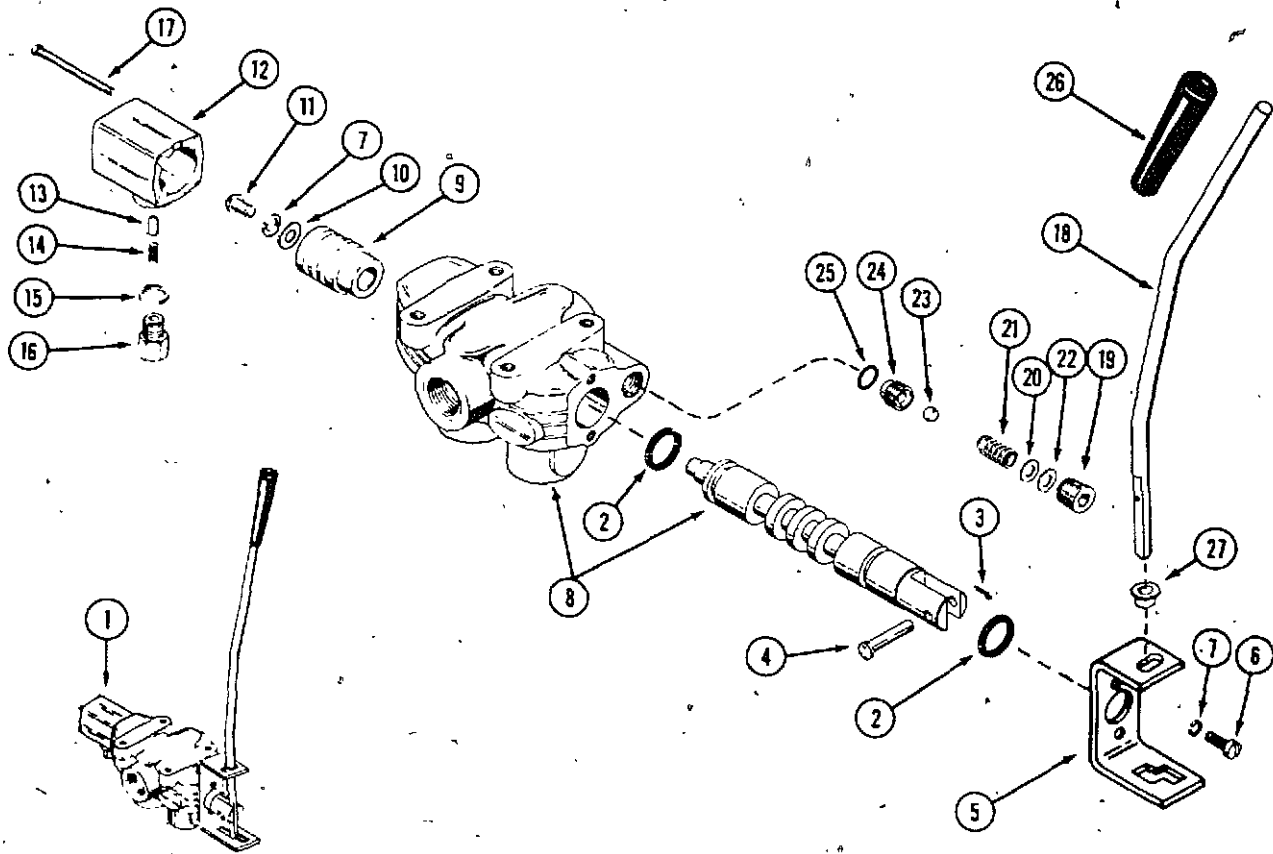
L17 HYDRAULIC PTO KIT

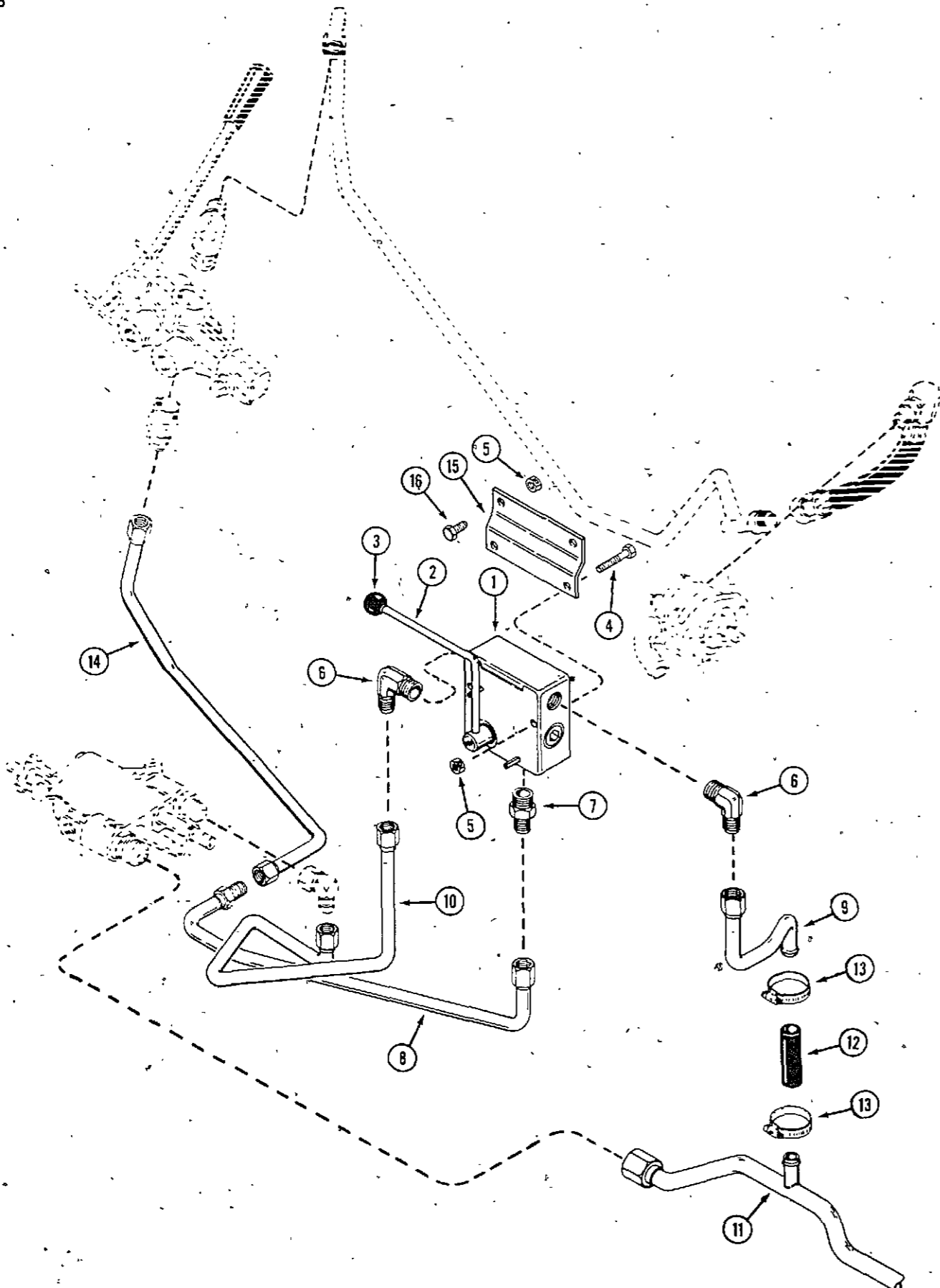
REF.	PART NO.	DESCRIPTION	REQ'D
1	C 30044	VALVE - PTO control .....	1
2	218- 457	FITTING - straight 3/4" NPT x 5/8" tube .....	1
3	218- 494	FITTING - elbow 90 degrees, 3/4" NPT x 5/8" tube .....	1
4	218- 927	FITTING - elbow 90 degrees, 1/2" NPT x 1/2" female swivel .....	2
5	C 23337	BRACKET - valve mounting .....	1
6	113- 206	BOLT - 3/8" x 3/4" N.C. hex .....	4
7	192- 21	LOCK WASHER - 3/8" .....	4
8	C 25343	TUBE - PTO valve to travel control valve .....	1
9	C 25344	TUBE - pump to PTO valve .....	1
10	218- 5232	FITTING - 90 degrees swivel elbow flare 3/4" NPT x 5/8" tube .....	1
11	113- 103	BOLT - 5/16" x 1" N.C. hex .....	2
12	195- 521	WASHER - 5/16" .....	2
13	192- 20	LOCK WASHER - 5/16" .....	2



L17 HYDRAULIC PTO VALVE

REF.	PART NO.	DESCRIPTION	REQ'D
1	C 30044	VALVE - control	1
2	C 11891	SEAL - "U" cup	2
3	132- 5	PIN - cotter 1/16" x 1/2"	1
4	C 28875	PIN - handle	1
5	C 19422	BRACKET - handle	1
6	169- 145	SCREW - 1/4" x 5/8" N.C. special head	2
7	C 28873	LOCK WASHER - 1/4"	3
8	NSS	BODY AND SPOOL ASSEMBLY - (use C30044) valve)	1
9	C 11895	ADAPTER - spool	1
10	195- 102	WASHER - plain 1/4"	1
11	75- 48	SCREW - 1/4" x 1/2" round head	1
12	C 11893	COVER - detent	1
13	C 11901	PIN - detent	1
14	C 11892	SPRING - detent	1
15	C 11886	WASHER - detent spring	1
16	C 11887	CAP - detent	1
17	169- 88	SCREW - cover no. 8 - 32 x 2-1/4" fillister head	4
18	C 19423	LEVER - valve	1
19	221- 842	PLUG - relief 3/8" pipe thread	1
20	C 28700	SHIM - .010" (0.25 mm) thick	UAR
21	C 28716	SPRING - relief	1
22	C 28698	SHIM - .020" thick (0.51 mm)	UAR
23	211- 11	BALL - relief 3/8" (9.53 mm)	1
24	C 18417	SEAT - relief	1
25	C 28696	"O" RING - relief seat	1
26	C 28237	KNOB - hand throttle	1
27	C 26266	BUSHING - nylon	1



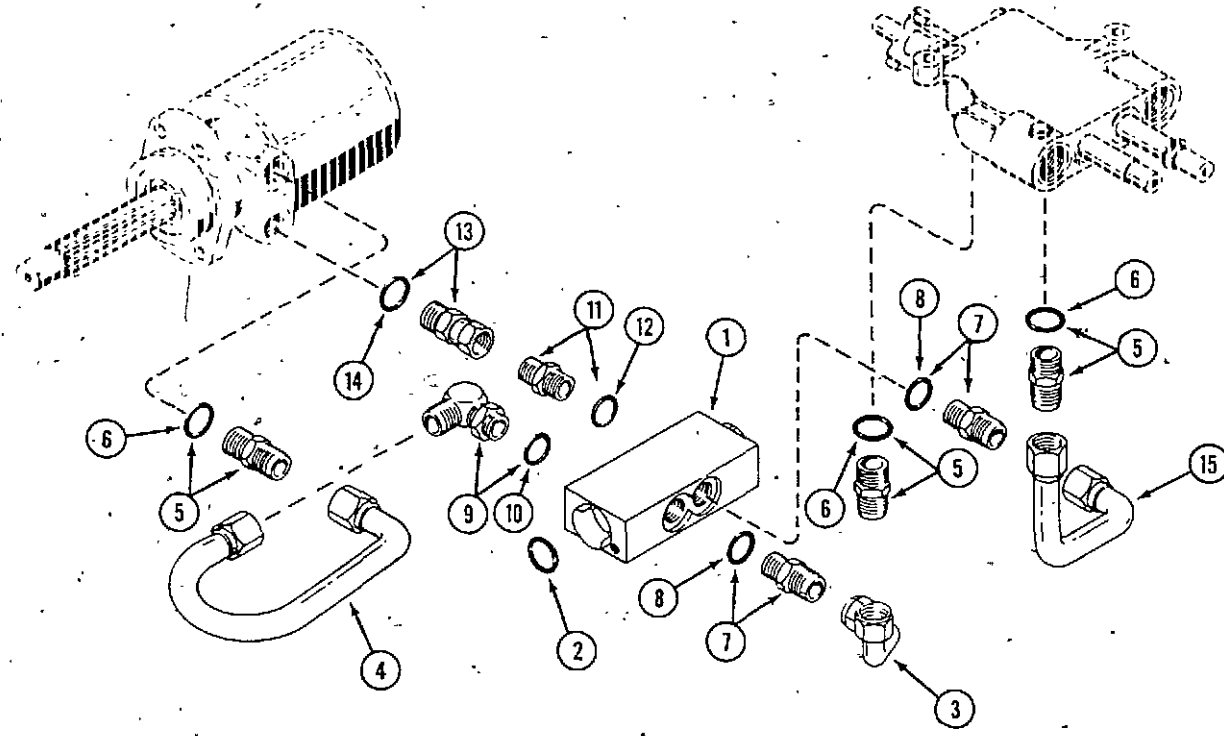


M19 FLOW CONTROL VALVE KIT

REF.	PART NO.	DESCRIPTION	REQ'D
1	C 23618	VALVE - flow control	1
	C 28217	"O" RING - shaft 3/4" I.D. x 15/16" O.D. x 3/32"	2
	C 28710	RING - snap	2
2	C 18720	LEVER - valve	1
3	C 28251	KNOB - lever	1
4	113- 15	BOLT - 1/4" x 2-1/4" NC hex	2
5	131- 1180	NUT - lock 1/4" NC hex	4
6	218- 485	FITTING - elbow 90 degree 1/2" pipe thread	2
7	218- 445	FITTING - straight 1/2" pipe thread	1
8	C 25390	TUBE - flow control valve to tube	1
9	C 23407	TUBE - bypass port to return line	1
10	C 23600	TUBE - valve to tractor valve	1
11	C 26181	TUBE - heat exchanger	1
12	C 18721	HOSE - return	1
13	214- 254	CLAMP - hose	2
14	C 25392	TUBE - PTO valve to tube	1
15	C 25391	PLATE - adapter	2
16	113- 2	BOLT - 1/4" - 20 x 5/8"	2
	C 18719	DECAL - valve, "slow/fast" (English)	1
	321- 4699	DECAL - valve, "slow/fast" (French)	1



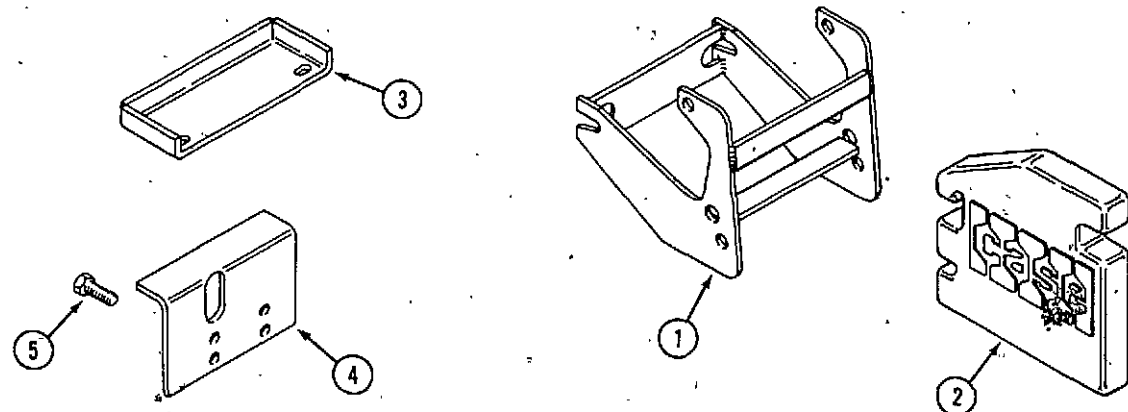
M9 HOLDING VALVE



REF.	PART NO.	DESCRIPTION	REQ'D
1	C 24995	VALVE - holding	1
2	C 28487	"O" RING - end caps	2
3	NSS	TUBE - valve to valve (use C27806, 218-5107, 218-5117)	1
4	C 24994	TUBE - valve to motor	1
5	218- 5062	CONNECTOR - straight, male	3
6	218- 5007	"O" RING	1
7	218- 5066	CONNECTOR - straight, male	2
8	218- 5006	"O" RING	1
9	218- 5117	ELBOW - adjustable	1
10	218- 5006	"O" RING	1
11	NSS	CONNECTOR - straight, male (use 218-5254, 218-5406)	1
12	218- 5006	"O" RING	1
13	218- 5251	CONNECTOR - straight, male/female swivel	1
14	218- 5007	"O" RING	1
15	C 25341	TUBE - valve to valve	1

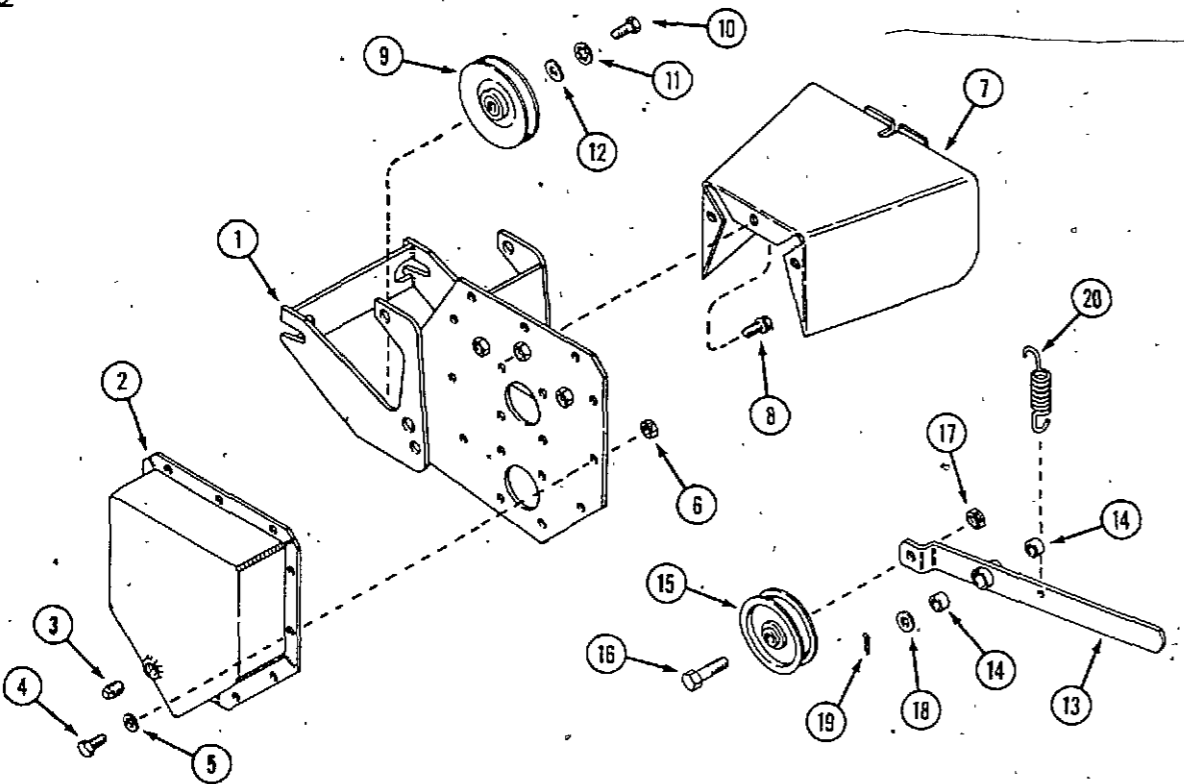
L11 WEIGHT KIT

1	C 25572	BRACKET - mounting, front	1
2	C 25574	WEIGHT - 40 lb. (18 kg.)	4
3	C 25791	BRACKET - mounting, rear, upper	1
4	C 25792	BRACKET - mounting, rear, lower	1
5	113- 417	BOLT - 1/2" - 13 x 1-1/4" hex	2



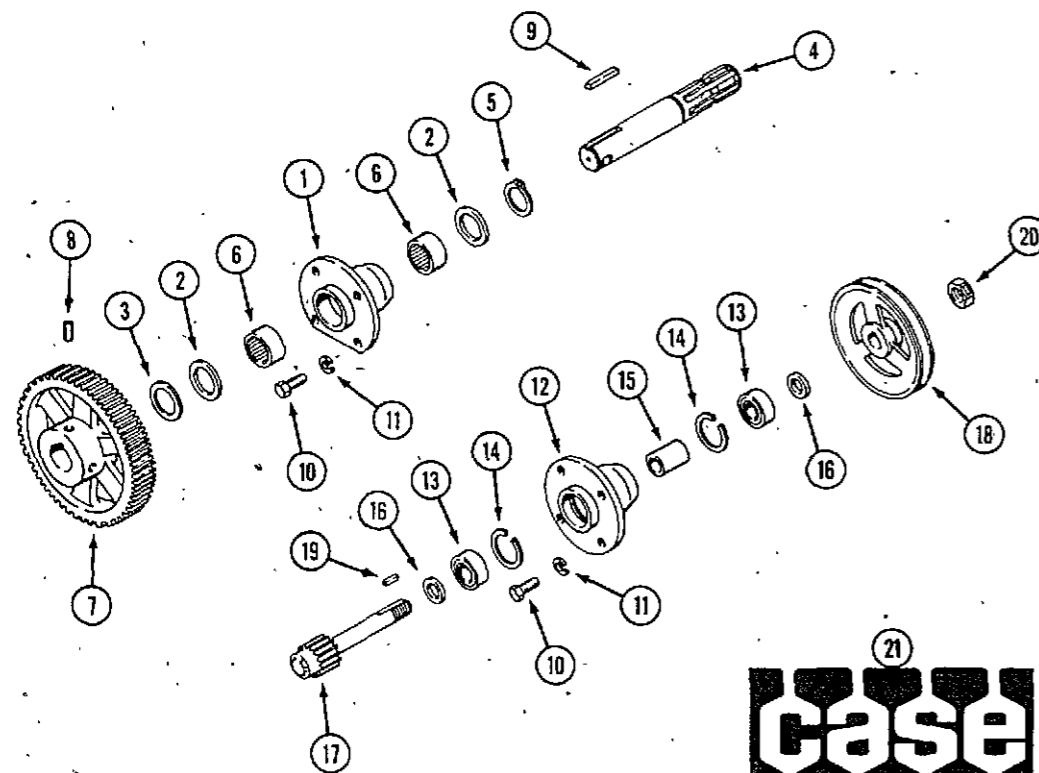
L29 PTO MOUNTING FRAME, SHIELD, IDLERS AND GEAR COVER

REF.	PART NO.	DESCRIPTION	REQ'D
1	C 25800	FRAME - mounting	1
2	C 25815	COVER - gear	1
3	221- 844	PLUG - oil 1/2"	1
3	221- 3	PLUG - oil 3/8"	2
4	113- 3	BOLT - 1/4" - 20 x 3/4" hex	9
5	195- 521	WASHER - 5/16"	9
6	131- 1180	NUT - 1/4" - 20 hex	9
7	C 25817	SHIELD - PTO	1
8	121- 106	BOLT - 5/16" - 18 x 1/2", special	3
9	C 25370	PULLEY - "V" groove	1
10	113- 206	BOLT - 3/8" - 16 x 3/4"	1
11	193- 68	LOCK WASHER - special	1
12	195- 103	WASHER - 3/8"	1
13	C 25822	ARM - idler	1
14	C 28308	BUSHING - sleeve	2
15	C 26090	PULLEY - flat idler	1
16	113- 412	BOLT - 1/2" - 13 x 1-3/4" hex	1
17	131- 165	NUT - 1/2" lock, hex	1
18	195- 541	WASHER - 5/8"	1
19	132- 318	PIN - cotter 5/32" x 1"	1
20	C 16870	SPRING - tension	1

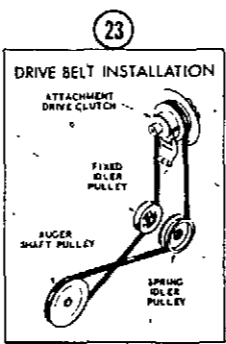


L29 SPINDLES, DECALS AND BELT

1	C 25806	HOUSING - PTO shaft	1
2	C 25807	WASHER - thrust	2
3	195- 2131	WASHER - spacer	1
4	C 25808	SHAFT - spline	1
5	C 28258	RING - retainer	1
6	C 25828	BEARING - roller	2
7	C 25814	GEAR - driven	1
8	83- 68	SET SCREW - 3/8"	2
9	C 28260	KEY - 5/16" x 2"	1
10	113- 206	BOLT - 3/8" - 16 x 3/4" hex	8
11	192- 21	LOCK WASHER - 3/8"	8
12	C 17666	HOUSING - spindle	1
13	C 28971	BEARING	2
14	C 16516	RING - retaining	2
15	C 10810	SPACER - bearing	1
16	C 25541	WASHER - spacer	2
17	C 25810	SPINDLE - input	1
18	C 25813	PULLEY - spindle	1
19	C 28300	KEY - 3/16" square x 7/8"	1
20	131- 1331	NUT - 3/4" - 16 lock, hex	1
21	321- 6379	DECAL - "Case"	1
22	C 28354	DECAL - "Warning" (English)	1
22	321- 6647	DECAL - "Warning" (French)	1
23	321- 4745	DECAL - drive belt (French)	1
23	C 17462	DECAL - drive belt (English)	1
23	C 23539	BELT - drive (446, 448)	1



**WARNING**  
 ROTATING MACHINE PARTS  
 STAY CLEAR, KEEP  
 SHIELDS INSTALLED TO HELP  
 PROTECT FROM CLOTHING  
 ENTANGLEMENT AND INJURY.







PART NO.	PAGE NO.	REF. NO.	PART NO.	PAGE NO.	REF. NO.
129-122	57	19	169-131	17	11
129-125	27	14	169-145	77	6
129-143	37	13	173-210	19	14
129-148	35	8	182-10	61	20
129-162	61	14	182-49	17	7
129-165	33	15	182-84	15	5
129-166	49	27	182-246	39	30
129-166	51	27	182-520	19	1
129-166	53	27	182-525	5	26
129-365	33	16	182-525	15	39
129-531	49	10	182-545	19	4
129-531	51	10	182-547	9	27
129-531	53	10	187-1036	21	8
131-165	83	17	187-1147	17	25
131-176	65	11	187-1252	47	9
131-178	25	16	187-1334	61	4
131-351	39	31	187-1908	61	27
131-629	61	3	187-1910	33	12
131-1113	35	3	192-13	61	22
131-1133	55	35	192-16	19	5
131-1180	79	5	192-18	15	40
131-1180	83	6	192-18	19	18
131-1181	29	9	192-18	23	6
131-1181	31	21	192-19	5	10
131-1181	57	9	192-19	15	24
131-1181	57	22	192-19	17	8
131-1182	71	2	192-19	21	4
131-1308	37	5	192-19	29	27
131-1318	29	7	192-19	47	10
131-1331	83	20	192-19	55	19
132-5	77	3	192-19	61	13
132-91	65	6	192-20	5	8
132-306	69	12	192-20	17	24
132-310	25	10	192-20	29	19
132-310	37	18	192-20	31	5
132-310	57	4	192-20	35	10
132-310	65	4	192-20	75	13
132-311	33	9	192-21	11	12
132-318	83	19	192-21	15	22
132-320	41	10	192-21	35	14
132-320	57	13	192-21	39	4
132-321	37	21	192-21	73	8
132-334	29	13	192-21	75	7
136-2	17	10	192-21	83	11
138-59	65	19	192-23	29	21
138-63	25	21	192-23	31	5
138-96	25	6	192-23	33	14
138-99	33	4	192-23	49	2
138-143	35	28	192-23	55	41
138-308	65	5	192-23	69	7
138-2072	41	11	192-23	73	7
138-2073	29	23	192-402	19	8
138-2073	37	3	192-404	21	13
138-2073	55	11	193-29	61	25
141-54	37	20	193-57	17	24
163-22	17	21	193-57	29	30
164-41	27	4	193-57	61	10
165-143	19	7	193-68	83	11
166-32	43	15	193-76	27	5
166-32	45	15	193-99	61	16
166-86	29	22	193-524	51	34
166-86	39	29	195-14	17	9
166-86	55	40	195-102	77	10
169-88	77	17	195-103	83	12
169-114	49	20	195-104	25	17
169-114	51	20	195-104	39	24
169-114	53	20	195-104	57	23
169-114	53	20	195-137	35	27

PART NO.	PAGE NO.	REF. NO.	PART NO.	PAGE NO.	REF. NO.
195-513	19	2	218-5107	39	26
195-521	41	9	218-5117	81	9
195-521	51	31	218-5232	75	10
195-521	53	28	218-5251	81	13
195-521	53	28	218-5479	67	5
195-521	57	17	219-17	33	20
195-521	75	12	219-403	37	4
195-521	83	5	219-404	33	7
195-525	29	10	219-404	35	19
195-525	31	18	219-404	57	2
195-525	73	9	219-405	65	2
195-533	25	2	221-3	83	3
195-533	37	17	221-841	49	21
195-533	57	14	221-841	51	21
195-533	71	3	221-841	53	21
195-533	73	5	221-842	77	19
195-541	35	29	221-843	55	10
195-541	65	7	221-844	15	15
195-541	69	3	221-844	55	10
195-541	83	18	221-844	83	3
195-545	69	11	221-1139	67	1
195-2010	11	23	221-1190	15	26
195-2027	17	17	221-1375	67	2
195-2029	29	15	221-1377	15	27
195-2029	35	24	221-1849	15	35
195-2069	35	15	223-20	59	28
195-2131	83	3	321-1788	63	5
195-2175	31	10	321-3585	63	1
195-2175	35	9	321-4693	63	5
211-5	15	8	321-4696	63	6
211-5	51	36	321-4697	63	4
211-5	53	16	321-4699	79	
211-7	49	16	321-4728	63	2
211-7	51	16	321-4734	63	1
211-7	53	30	321-4745	83	23
211-7	53	30	321-4764	63	3
211-11	77	23	321-4767	63	3
211-208	49	6	321-5040	63	10
211-208	51	6	321-5097	63	11
211-208	53	6	321-5100	63	8
211-216	9	4	321-5101	63	9
211-306	43	13	321-5107	63	7
211-306	45	13	321-5930	63	4
214-102	5	15	321-6379	83	21
214-254	39	13	321-6647	83	22
214-254	79	13	353-462	25	4
214-259	19	15			
214-272	21	11			
214-274	23	9			
218-445	79	7			
218-457	75	2			
218-485	79	6			
218-494	75	3			
218-927	75	4			
218-5006	39	22			
218-5006	81	8			
218-5006	81	10			
218-5006	81	12			
218-5007	39	9			
218-5007	39	27			
218-5007	39	33			
218-5007	81	6			
218-5007	81	14			
218-5056	57	27			
218-5062	39	32			
218-5062	81	5			
218-5065	39	8			
218-5066	81	7			