

BOLENS 33 INCH TILLER ATTACHMENT AND EXTENSION ASSEMBLY

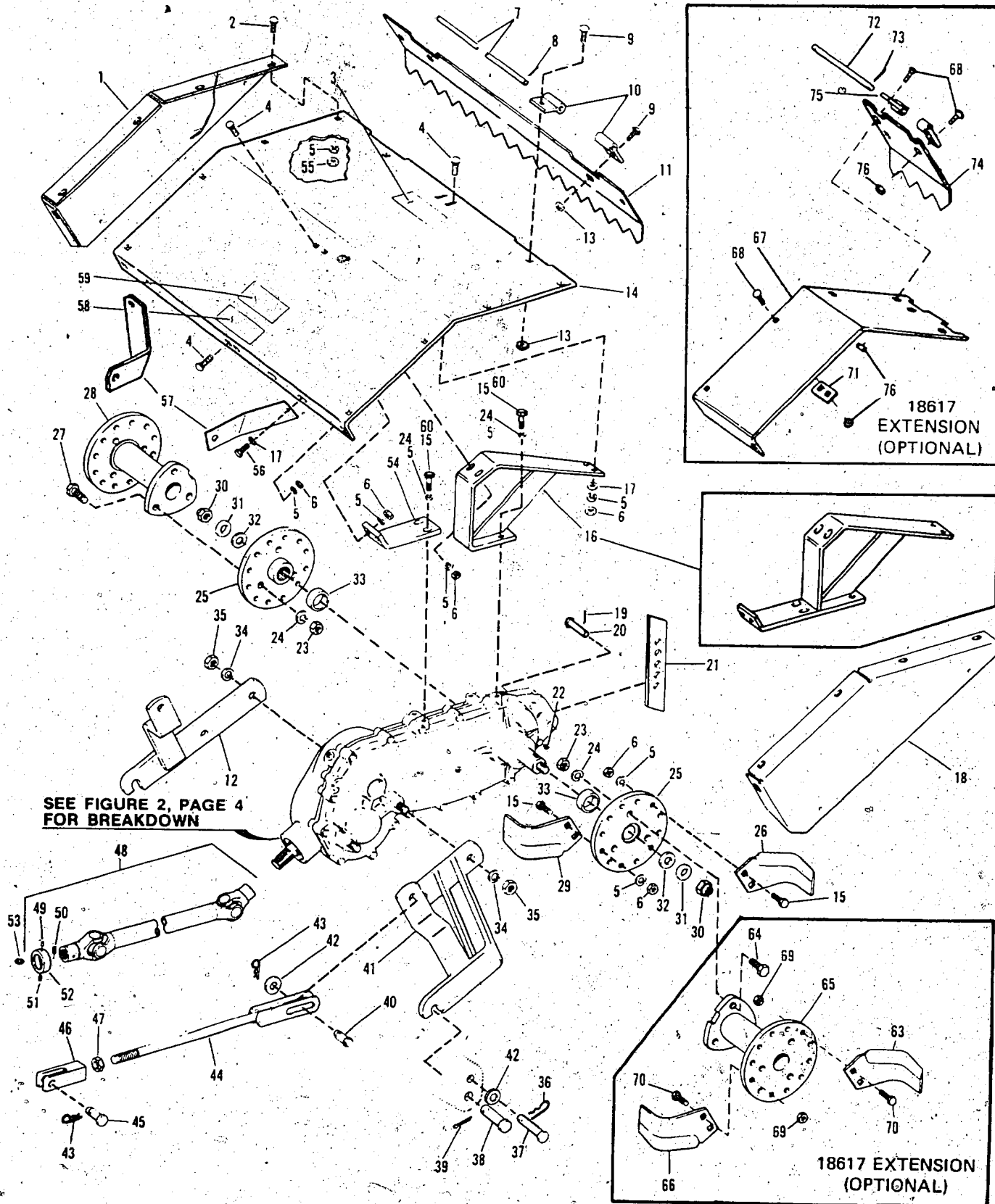


Figure 1 COMPLETE ASSEMBLY

MODEL 18093 MODEL 18617

REF. NO.	PART NO.	DESCRIPTION	NO. REQ'D.
1	1723035	Hood, Right Side	1
2	• 1186126	Carriage Bolt, 3/8-16 x 3/4	10
3	1806129	Decal, Bolens (1)	1
4	• 1186128	Carriage Bolt, 3/8-16 x 1	6
5	• 1100243	Lockwasher, 3/8	66
6	1733398	Lock Nut, 3/8-16	56
7	1723031	Hinge Pin	1
8	• 1100346	Cotter Pin, 3/32 x 3/4	2
9	• 1186469	Carriage Bolt, 5/16-18 x 3/4	4
10	1718196	Hinge	4
11	1723504	Leveling Board	1
12	1724724	Lift Arm Assembly R.H.	1
13	1186391	Flange Nut, 5/16-18	4
14	1723503	Hood (1) (2) (3)	1
	1729229	Hood (4) (5)	1
15	• 1100043	Hex Head Capscrew, 3/8-17 x 1-1/4	48
16	1719680	Rear Hood Bracket (1) (2) (3)	1
	1729222	Support Assembly (4) (5)	1
17	1104008	Star Washer, 3/8	4
18	1723034	Hood, Left Side	1
19	• 1100350	Cotter Pin, 1/8 x 1	1
20	1708336	Clevis Pin	1
21	1718189	Shoe Center	1
22	1723501	Woodruff Key, 1/4 x 7/8 (1) (2)	2
	1727897	Woodruff Key, 5/16 x 1 (3) (4) (5)	2
23	• 1186233	Hex Nut, 1/2-13	6
24	• 1100245	Lockwasher, 1/2	10
25	1723446	Tiller Hub, (1) (2)	2
	1727907	Tiller Hub (3) (4) (5)	2
26	1809388	L.H. Bend Tine	12
27	• 1100065	Hex Head Capscrew, 1/2-13 x 1-3/4	6
28	1718138	Spacer	2
29	1709387	R.H. Bend Tine	12
30	1186435	Hex Lock Nut, 5/8-18	2
31	1718765	Spacer Washer	2
32	1800041	Special Washer	2
33	1718170	Sleeve	2
34	• 1100247	Lockwasher, 5/8	3
35	• 1186235	Hex Nut, 5/8-11	3
36	1723478	Cotter Spring	2
37	1186425	Clevis Pin	2
38	1724778	Clevis Pin (1) (2) (3) (4)	2
	1734938	Clevis Pin (5)	2
39	• 1100351	Cotter Pin 1/8" x 1-1/4"	2
40	1724639	Clevis Pin	2
41	1724725	Lift Arm Assembly, L.H.	1

MODEL 18093

- (1) 18093-01
- (2) 18093-02
- (3) Serial Number 0300101 thru 0300796
- (4) Serial Number 0300797 thru 0399999
- (5) Serial Number 0400101 and up

MODEL 18617

- (1) Type 01
- (2) Serial Number 0200101 and up

• Common Hardware - purchase locally (Grade 5 where applicable).

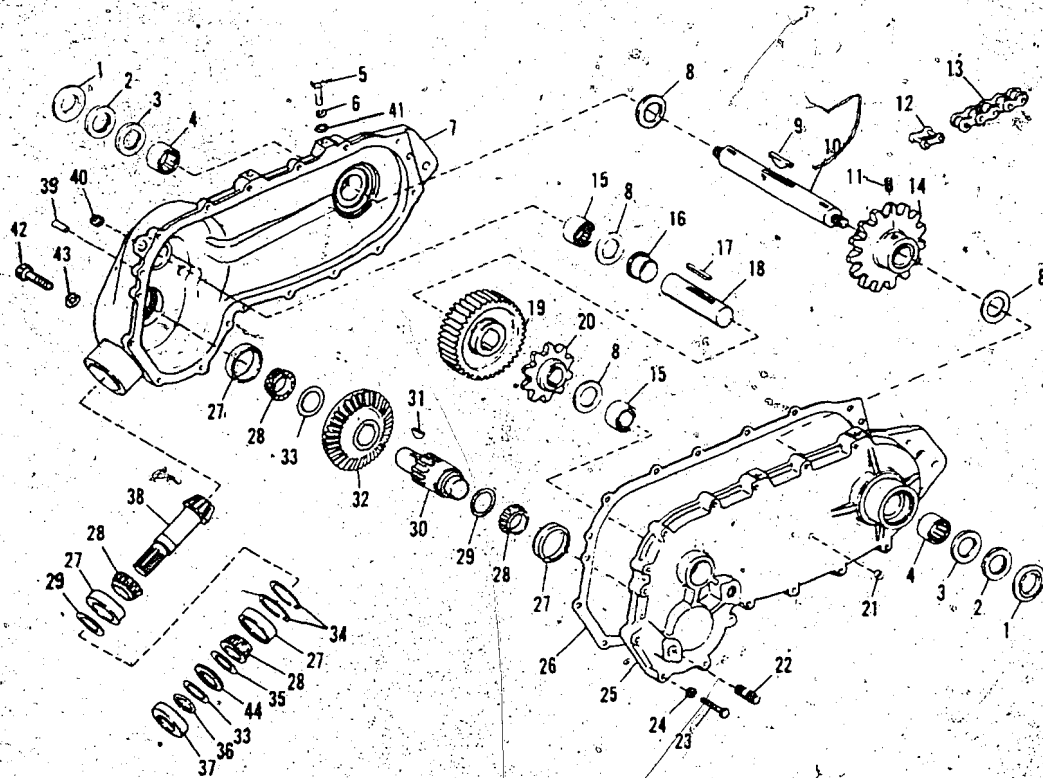
REF. NO.	PART NO.	DESCRIPTION	NO. REQ'D.
42	• 1107386	Flat Washer, 5/8	4
43	1723478	Spring Cotter	4
44	1718307	Lift Rod	2
45	1719324	Clevis Pin (Special)	2
46	1714573	Rod End	2
47	• 1108891	Jam Nut, 5/8-11	2
48	1724734	Drive Shaft Assembly (Incl. Ref Nos. 49 thru 53)	1
49	1187762	Groove Pin 3/16 x 3/8	1
50	1723782	Compression Spring	1
51	1118922	Groove Pin, 3/16 x 3/8	1
52	1723781	Locking Collar	1
53	1725334	Thrust Washer	1
54	1718205	Front Hood Bracket (1) (2) (3)	1
55	• 1186259	Hex Nut, 3/8-16	10
56	• 1100046	Hex Head Screw, 3/8-16 x 1	2
57	1723029	Support Bracket L.H.	1
	1729239	Support Bracket R.H. (4) (5)	1
58	1715670	Decal, Caution (1)	1
	1725404	Decal, Caution (2) (3) (4) (5)	1
59	1719335	Decal, Tiller Instrument (1)	1
	1725532	Decal, Logo (2)	1
	1727451	Decal, Logo (3) (4) (5)	1
60	• 1100055	Hex. Head Screw 1/2-13 x 1-1/4 (5)	4

MODEL 18617 HOOD & TINE EXTENSION ASSEMBLY CONSISTS OF THE FOLLOWING

61	• 1186233	Hex Nut, 1/2-13	3
62	• 1100245	Lockwasher, 1/2	3
63	1709388	L.H. Bend Tine	3
64	• 1110065	Hex Head Capscrew, 1/2-13 x 1-3/4	3
65	1718138	Spacer	1
66	1709387	R.H. Bend Tine	3
67	1719686	Hood Extension (1)	1
	1729028	Hood Extension (2)	1
68	• 1186098	Carriage Bolt, 5/16-18 x 3/4	12
69	• 1110108	Lock Nut, 3/8-16	12
70	1100043	Hex Head Capscrew, 3/8-16 x 1-1/4	6
71	1718207	Connector	6
72	1718199	Hinge Pin	1
73	• 1100346	Cotter Pin, 3/32 x 3/4	2
74	1719687	Leveling Board Extension (1)	1
	1729030	Leveling Board Extension (2)	1
75	1718197	Hinge	4
76	1186391	Flange Nut, 5/16-18	12

*1714207 Repair Kit for Joint Marked 6N

*1714208 Repair Kit for Joint Marked NEAPCO



REF. NO.	PART NO.	DESCRIPTION	NO. REQ'D.
1	1718153	Seal Washer	2
2	1185630	Oil Seal	2
3	1185629	Oil Seal	2
4	1185721	Needle Bearing	2
5	• 1719673	Capscrew, 3/8-16 x 1-1/4	(1) (2) (3)
	• 1100055	Hex Head Cap Screw, 1/2-13 x 1-1/4	(4) (5)
6	• 1100243	Lockwasher, 3/8	(1) (2) (3)
	• 1100245	Lockwasher, 1/2	(4) (5)
7	1720396	Tiller Case (Incl. Ref 27)	(1) (2) (3)
	1729249	Tiller Case (Incl. Ref. 27)	(4) (5)
8	1710530	Thrust Washer	4
9	1723622	Hi-Pro Key, 5/16 x 5/16 x 2	1
10	1723444	Tine Shaft (1) (2)	1
	1727908	Tine Shaft (3) (4) (5)	1
11	1103494	Set Screw, 3/8-16 x 1/2	1
12	1718152	Roller Chain Connector	1
13	1718151	Roller Chain 1 Inch Pitch	1
14	1721591	Sprocket 15-Tooth 1 Inch Pitch	1
15	1185720	Needle Bearing	2
16	1718484	Spacer	1
17	1718686	Special Key, 5/16 x 1/4	2
18	1718394	Shaft	1
19	1718393	Gear 39 Tooth	1
20	1718147	Sprocket 10-Tooth 1 Inch Pitch	1
21	• 1185741	Pipe Plug, 1/8	1
22	1113755	Stud, 5/8-11 x 2-1/4	3

REF. NO.	PART NO.	DESCRIPTION	NO. REQ'D.
23	• 1100779	Hex Head Capscrew, 5/16-18 x 1-3/4	16
24	• 1100242	Lockwasher, 5/16	16
25	1720397	Gear Case Cover (Incl. Ref. No. 27) (1) (2) (3)	1
	1729281	Gear Case Cover (Incl. Ref. No. 27) (4) (5)	1
26	1718389	Gasket	1
27	1177343	Bearing Cup	4
28	1177262	Bearing Cone	4
29	1719443	Shim, 2.320 x .005	As Req'd.
	1727228	Shim, .010 (4) (5)	As Req'd.
	1727229	Shim, .031 (4) (5)	As Req'd.
30	1718392	Pinion & Shaft	1
31	1708382	Woodruff Key	1
32	1718391	Bevel Gear, 40 Tooth	1
33	1718781	Shim, 1.265 x .005	As Req'd.
34	1185733	Retaining Ring	2
35	1720529	Shim	As Req'd.
36	1185732	Retaining Ring	1
37	1185734	Oil Seal	1
38	1718390	Pinion, 13 Tooth	1
39	1185206	Drive Pin	2
40	• 1185474	Pipe Plug (1) (2) (3)	1
	• 1105678	Pipe Plug (4) (5)	1
41	1107385	Flat Washer, 1/2	4
42	• 1103281	Hex Head Cap Screw, 5/8-11 x 2	1
43	• 1100247	Lockwasher, 5/8	1
44	1732288	Thrust Washer (5)	As Req'd.
N.I.	1723456	Gear Lube, EP90	1

Figure 2 GEAR CASE ASSEMBLY

• Common Hardware - purchase locally (Grade 5 where

- (1) 18093-01
- (2) 18093-02
- (3) Serial Number 0300101 thru 0300796
- (4) Serial Number 0300797 thru 0399999
- (5) Serial Number 0400101 thru 0599999