

**Bolens**

**HT20 Tractor  
19.5 HP**

**Model 2087**

Serial Number 0200101  
thru 0499999

**Parts List**

FORM P-552727-2 (11/77)  
SUPERSEDES P-552727-1

# BOLENS HT-20 TRACTOR

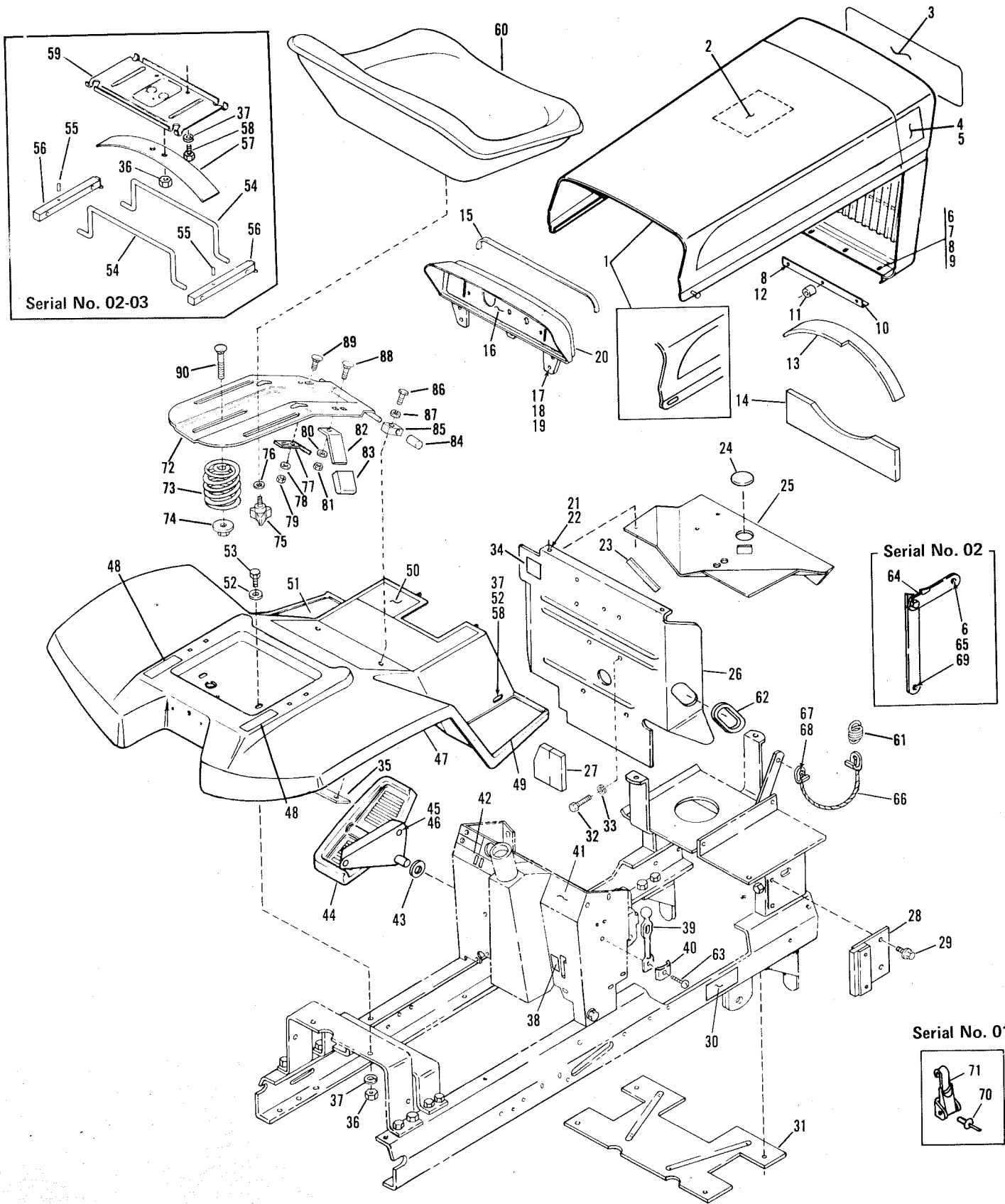


Figure 1 TRIM ASSEMBLY

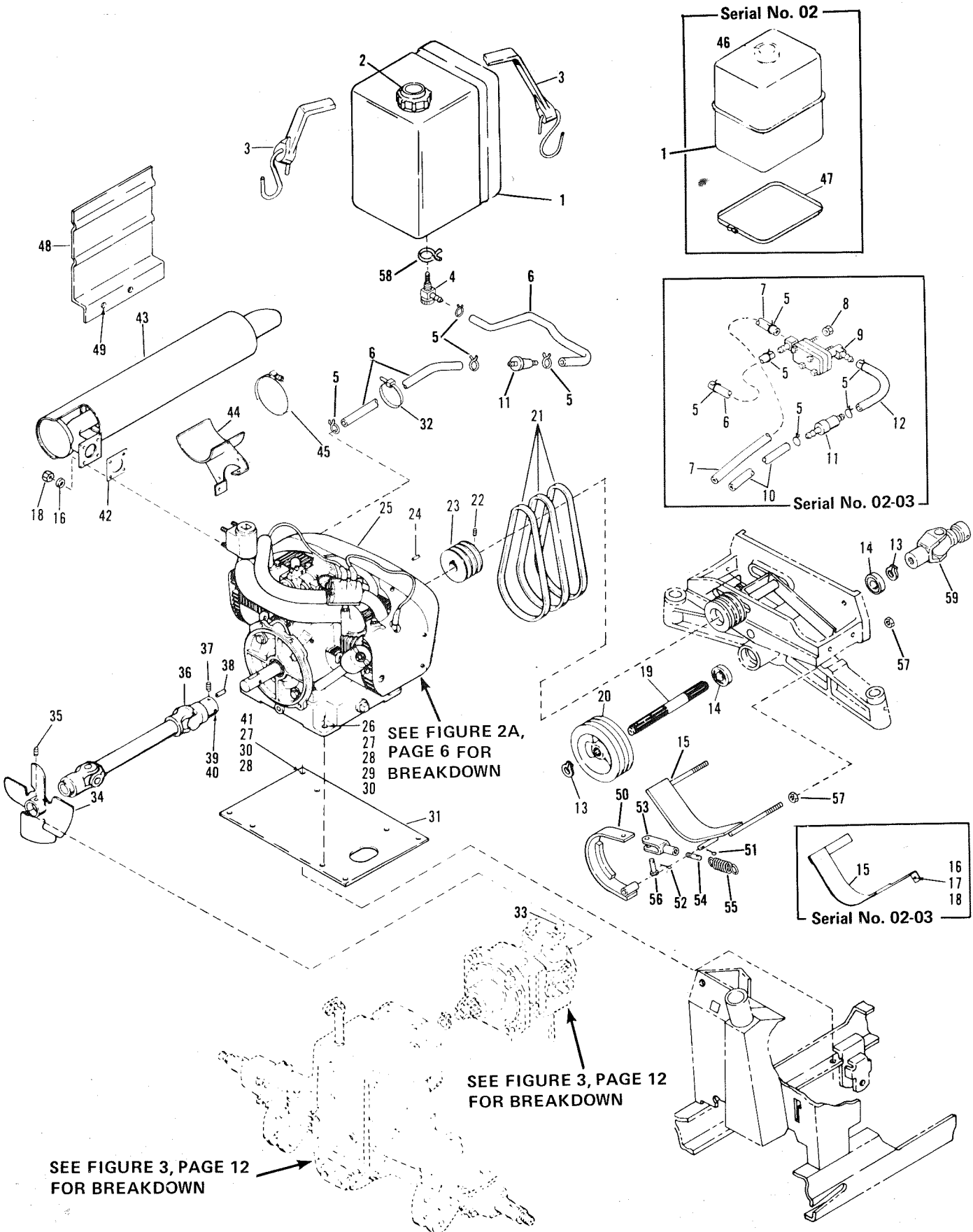
MODEL 2087 (HT-20)

REF. NO.	PART NO.	DESCRIPTION	NO. REQ'D.	REF. NO.	PART NO.	DESCRIPTION	NO. REQ'D.
1	1722558	Grille and Hood without Decals (1) . . . . .	1	44	1724522	Foot Pedal, Left Hand . . . . .	1
	1727279	Grille and Hood without Decals (1)(2)(3) . . . . .	1	45	● 1177548	Lockwasher, 5/16 . . . . .	2
2	1725504	Decal, Instructions (1)(2) . . . . .	1	46	● 1100088	Capscrew, 5/16-18 x 1/2. . . . .	2
3	1727450	Decal, Grille . . . . .	1	47	1724529	Rear Fender (1)(2) . . . . .	1
4	1727471	Decal, Hood, Right Hand . . . . .	1		1734559	Rear Fender (3) . . . . .	1
5	1727472	Decal, Hood, Left Hand . . . . .	1	48	1721369	Wear Strip (1)(2) . . . . .	2
6	● 1103195	Capscrew, 5/16-18 x 5/8. . . . .	3	49	1719183	Foot Pad, Right Hand . . . . .	1
7	● 1107382	Flat Washer, 5/16 . . . . .	3	50	1727436	Decal, Instructions. . . . .	1
8	● 1100242	Lockwasher, 5/16 . . . . .	6	51	1719182	Foot Pad, Left Hand . . . . .	1
9	● 1186230	Nut, 5/16-18 . . . . .	3	52	● 1107383	Flat Washer, 3/8 . . . . .	4
10	1717246	Hinge . . . . .	1	53	● 1100046	Capscrew, 3/8-16 x 1 . . . . .	2
11	1722833	Spacer. . . . .	3	54	1723612	Pivot Shaft (1)(2) . . . . .	2
12	● 1100779	Capscrew, 5/16-18 x 1-3/4 . . . . .	3	55	1185277	Drive Pin, 1/4 x 3/4 (1)(2) . . . . .	2
13	1726054	Heat Shield . . . . .	1	56	1723608	Pivot Shaft Tie (1)(2). . . . .	2
14	1726055	Heat Shield . . . . .	1	57	1723613	Leaf Spring (1)(2) . . . . .	1
15	1717599	Rubber Pad . . . . .	1	58	1103212	Capscrew, 3/8-16 x 5/8 (1)(2) . . . . .	2
16	1727419	Decal, Instructions. . . . .	1	59	1723611	Spring Support (1)(2). . . . .	1
17	● 1107381	Flat Washer, 1/2 (1)(2). . . . .	4	60	1722474	Seat (1) . . . . .	1
18	● 1100241	Lockwasher, 1/4 (1)(2). . . . .	5		1733027	Seat (2)(3) . . . . .	1
19	● 1186229	Nut, 1/4-20 (1)(2) . . . . .	5	61	1727269	Spring (3) . . . . .	1
	1186389	Nut, Flange 1/4-20 (3) . . . . .	5	62	1726554	Trim, Cover . . . . .	1
20	1723391	Instrument Panel (1)(2) . . . . .	1	63	● 1728772	Pop Rivet, 3/16. . . . .	2
	1733054	Instrument Panel (3) . . . . .	1	64	1718500	Hood Stop Assembly (1). . . . .	1
21	● 1186308	Whiz-lock Capscrew, 1/4-20 x 1/2 . . . . .	2	65	● 1110107	Lock Nut, 5/16-18 (1) . . . . .	2
22	● 1186389	Whiz-lock Nut, 1/4-20 . . . . .	2	66	1727268	Lanyard. . . . .	1
23	1726129	Deflector, Air. . . . .	1	67	● 1100805	Capscrew, 1/4-20. . . . .	1
24	1718180	Plug, Button. . . . .	1	68	● 1110106	Nut, 1/4-20 . . . . .	1
25	1725931	Heat Shield . . . . .	1	69	1705905	Bowed Washer (1) . . . . .	2
26	1726088	Heat Shield Assembly (1)(2) . . . . .	1	70	● 1186424	Rivet (1) . . . . .	4
	1734638	Heat Shield Assembly (3) . . . . .	1	71	1726328	Latch Assembly (1) . . . . .	2
27	1726415	Heat Shield . . . . .	1	72	1734115	Seat Support Ass'y. (3). . . . .	1
28	1726090	Heat Shield Assembly. . . . .	2	73	1733960	Spring (3) . . . . .	1
29	● 1724492	Whiz-lock Screw, 1/4-20 x 1/2 . . . . .	4	74	1735125	Nut & Washer (3) . . . . .	1
30	1727009	Decal (1)(2) . . . . .	2	75	1734269	Seat Knob (3). . . . .	2
31	1725920	Deflector, Air (1)(2) . . . . .	1	76	● 1100256	Flat Washer 3/8 (3) . . . . .	2
	1733473	Deflector, Air (3) . . . . .	1	77	1734637	Actuator Bracket (3) . . . . .	1
32	1100051	Screw, Cap 7/16-14 x 1-1/2. . . . .	4	78	● 1100241	Lockwasher, 1/4 (3). . . . .	1
33	1100244	Lockwasher, 7/16 . . . . .	4	79	● 1186229	Hex Nut. 1/4-20 (3). . . . .	1
34	1734710	Decal, Hot Surface (3) . . . . .	1	80	1705905	Bowed Washer (3) . . . . .	1
35	1734393	Reinforcing Strap (3) . . . . .	1	81	● 1110107	Locknut, 5/16-18 (3). . . . .	1
36	● 1186231	Nut, 3/8-16 . . . . .	4	82	1734268	Seat Support Stand (3). . . . .	1
37	● 1100243	Lockwasher, 3/8. . . . .	4	83	1735054	Handle Grip (3). . . . .	1
38	1727447	Decal, PTO. . . . .	1	84	1734898	Plastic Grip (3) . . . . .	2
39	1727127	Latch . . . . .	2	85	1714782	Pivot Block (3) . . . . .	2
40	1727126	Clip . . . . .	2	86	● 1100808	Capscrew, 5/16-18 x 1-1/4 (3) . . . . .	2
41	1727448	Decal, Caution . . . . .	1	87	● 1100242	Lockwasher (3). . . . .	2
42	1727475	Decal, Hydraulic Control . . . . .	1	88	● 1186098	Round Hd Bolt, 5/16-18 x 3/4 (3) . . . . .	1
43	1705092	Washer . . . . .	1	89	● 1186067	Carriage Bolt, 1/4-20 x 1/2 (3) . . . . .	1
				90	● 1186130	Carriage Bolt 3/8-16 x 1-1/4 (3) . . . . .	1

● Common Hardware - Purchase Locally (Grade 5 where applicable)

- (1) Serial Numbers 0200101 thru 0299999
- (2) Serial Numbers 0300101 thru 0399999
- (3) Starting with Serial Number 0400101

**BOLENS HT-20 TRACTOR**



**Figure 2 ENGINE and DRIVE ASSEMBLY**

REF. NO.	PART NO.	DESCRIPTION	NO. REQ'D.	REF. NO.	PART NO.	DESCRIPTION	NO. REQ'D.
1	1718600	Gas Tank (Incl. No. 46) (1).	1	25	*	Kohler K532 S Engine . . . .	1
	1735066	Gas Tank (Incl. Ref. No. 2) (1)(2) . . . . .	1	26	● 1100065	Capscrew, 1/2-13 x 1-3/4 . .	4
2	1727340	Fuel Gauge (1)(2) . . . . .	1	27	● 1100245	Lockwasher, 1/2 . . . . .	8
3	1727577	Strap (1)(2) . . . . .	1	28	● 1107385	Flat Washer, 1/2 . . . . .	8
4	1723518	Shut Off Valve (1)(2) . . . . .	1	29	● 1103997	Lockwasher, 1/2 External . .	4
	1734532	Shut Off Valve (3) . . . . .	1	30	● 1186233	Nut, 1/2-13 . . . . .	8
5	1718185	Hose Clamp . . . . .	8	31	1722559	Engine Support . . . . .	1
6	1726446	Fuel Line (1)(2) . . . . .	1	32	1805345	Tie . . . . .	2
	1734399	Fuel Line (3) . . . . .	2	33	1186016	Hi-Pro Key . . . . .	1
7	1726449	Fuel Line (1)(2) . . . . .	1	34	1724027	Fan . . . . .	1
8	● 1185869	Nut, No. 832 (1)(2) . . . . .	2	35	● 1100113	Set Screw, 1/4-20 x 1/2 . . .	1
9	1726185	Fuel Pump Assembly (10 . .	1	36	1725932	Drive Shaft . . . . .	1
		Fuel Pump Repair Parts			1724401	Drive Shaft Repair Kit (Rockwell or Weasler) . . .	2
	1727535	Pump Gasket . . . . .	1		1714208	Drive Shaft Repair Kit (NEAPCO) . . . . .	2
	1727536	Booster Gasket . . . . .	1	37	● 1182554	Set Screw, 5/16-18 x 5/16 . .	1
	1727537	Booster Diaphragm . . . . .	1	38	● 1108844	Square Key, 1/4 x 1-1/4 . . .	1
	1727538	C Valve Diaphragm . . . . .	1	39	● 1111606	Capscrew, 5/16-18 x 2 . . . .	1
	1727539	Valve Spring . . . . .	2	40	● 1110107	Lock Nut, 5/16-18 . . . . .	1
10	1726448	Fuel Line (1)(2) . . . . .	1	41	● 1100055	Capscrew, 1/2-13 x 1-1/4 . .	4
11	1723521	Filter (1) . . . . .	1	42	1722530	Gasket, Exhaust . . . . .	1
	1727491	Filter (2)(3) . . . . .	1	43	1722529	Exhaust Muffler . . . . .	1
12	1726447	Fuel Line (1)(2) . . . . .	1	44	1722533	Support, Muffler . . . . .	1
13	1185689	Retaining Ring . . . . .	2	45	1723599	Snaplock Hose Clamp . . . . .	1
14	1185100	Ball Bearing . . . . .	2	46	1718756	Gas Tank Cap Only (1) . . . .	1
15	1718497	Belt Guide (1)(2) . . . . .	1	47	1806811	Snap Lock Hose Clamp (1) . .	1
	1733484	Belt Guide Assembly (3) . . .	1	48	1728838	Baffle . . . . .	1
16	● 1100242	Lockwasher, 5/16 . . . . .	6	49	● 1724492	Screw, Self Tapping . . . . .	2
17	● 1100045	Capscrew, 5/16-18 x 1 (1)(2) . . . . .	2	50	1733479	Band Ass'y., Brake (3) . . . .	1
18	● 1186230	Nut, 5/16-18 . . . . .	6	51	● 1185147	Cotter Pin 3/32 x 5/8 (3) . .	1
19	1718568	PTO SHAFT . . . . .	1	52	● 1100347	Cotter Pin 1/8 x 1/2 (3) . . .	1
20	1718515	PTO Sheave (1)(2) . . . . .	1	53	1710583	Rod End (3) . . . . .	1
	1733475	PTO Sheave (3) . . . . .	1	54	1721515	Stud Adjusting (3) . . . . .	1
21	1722639	Drive Belt 3" (matched set of 3) . . . . .	1	55	1723117	Ext. Spring (3) . . . . .	1
22	1103470	Set Screw, 5/16-18 x 1/2 . .	2	56	1734998	Clevis Pin (3) . . . . .	1
23	1722662	Drive Sheave . . . . .	1	57	● 1186231	Hex Nut, 3/8-16 (3) . . . . .	4
24	1108844	Square Key, 1/4 x 1-1/4 . . .	1	58	1723474	Hose Clamp . . . . .	1
				59	1723790	Universal Joint . . . . .	1

● Common Hardware - Purchase Locally (Grade 5 where applicable)

(1) Serial Numbers 0200101 thru 0299999

(2) Serial Numbers 0300101 thru 0399999

(3) Starting with Serial Number 0400101

\*Purchase Parts from your Kohler Outlet.

# BOLENS HT-20 TRACTOR

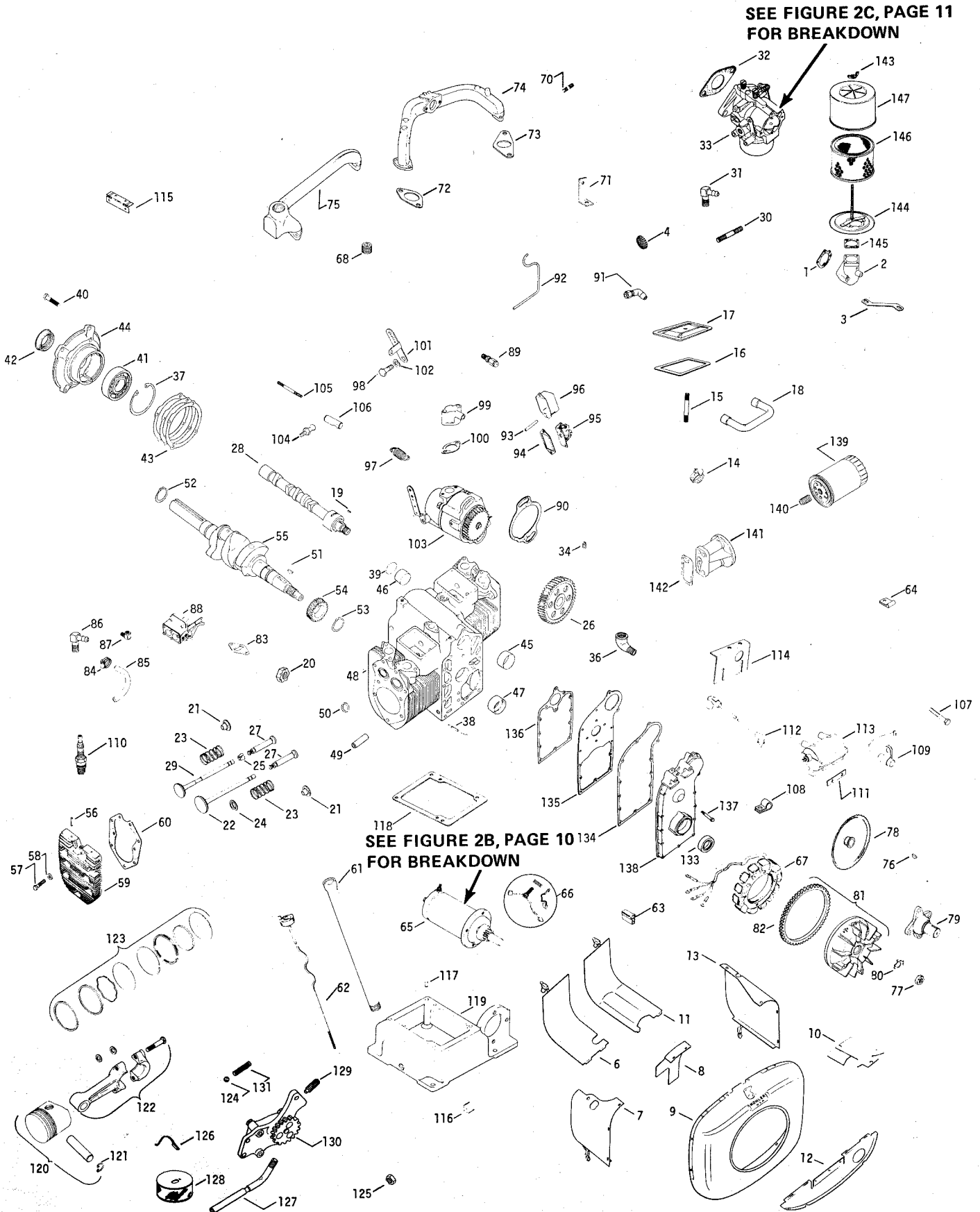
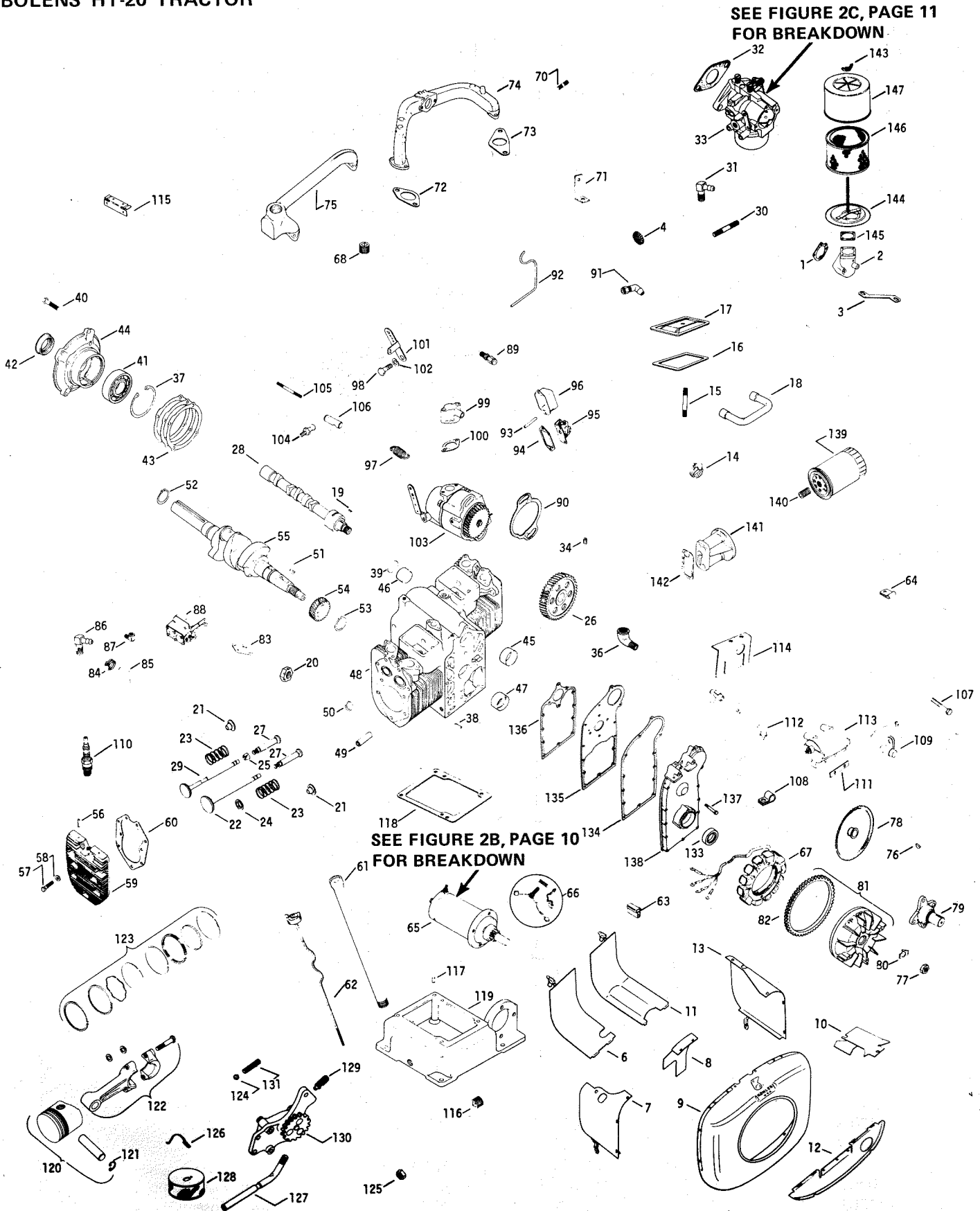


Figure 2A KOHLER ENGINE ASSEMBLY (K532S-53138A)

REF. NO.	KOHLER PART NO.	DESCRIPTION	NO. REQ'D.
<b>AIR INTAKE -- 1-9-11</b>			
1	277069	Gasket . . . . .	1
2	277070	Elbow, Air Cleaner . . . . .	1
3	277116	Brace, Elbow . . . . .	1
4	48 162 05	Screen	
<b>BAFFLES AND SHROUD -- 2-9-3</b>			
6	277048	Baffle, No. 1 Barrel . . . . .	1
7	277051	Baffle, No. 1 Cylinder Head.	1
8	277054	Baffle, No. 1 Upper Cylinder. . . . .	1
9	277056	Housing, Blower . . . . .	1
10	48 063 01	Baffle . . . . .	1
11	277168	Baffle, No. 2 Barrel . . . . .	1
12	277230	Baffle, Blower Housing Support. . . . .	1
13	48 124 04	Baffle, No. 2 Cylinder Head. . . . .	1
<b>VENT AND VALVE COVERS -- 3-9-4</b>			
14	X-426-3	Clamp, Hose. . . . .	2
15	220368	Stud, Valve Cover . . . . .	2
16	270034	Gasket, Valve Cover. . . . .	2
17	270036	Cover, Valve. . . . .	2
18	277392	Hose, Breather . . . . .	1
<b>CAMSHAFT AND VALVES -- 4-9-8</b>			
19	X-43-1	Key, Woodruff No. 3 . . . . .	1
20	X-119-17	Nut, Jam 3/4-16 . . . . .	1
21	230011	Retainer, Valve Spring . . . . .	4
22	235008	Valve, Intake . . . . .	2
23	235010	Spring, Valve . . . . .	4
24	235011	Retainer, Valve Spring . . . . .	4
25	240013	Key, Retainer. . . . .	8
26	277012	Gear, Camshaft. . . . .	1
27	D-277031	Tappet . . . . .	4
28	48 012 01	Camshaft. . . . .	1
29	48 016 01	Valve, Exhaust . . . . .	2
<b>CARBURETOR -- 5-9-19</b>			
30	X-352-10	Stud . . . . .	2
31	X-391-1	Elbow . . . . .	1
32	271030	Gasket, Carburetor . . . . .	1
33	48 053 07	Carburetor . . . . .	1
	221519	Repair Kit . . . . .	1
<b>CRANKCASE -- 7-9-18</b>			
34	X-75-23	Plug, Pipe 1/8 H. Socket . . . . .	3
34	X-75-31	Plug, Pipe. . . . .	1
36	X-211-10	Elbow . . . . .	1
37	X-269-31	Ring, Retaining. . . . .	1
38	X-599-2	Pin . . . . .	2
39	160037	Plug, Welch 1-1/2 . . . . .	1
40	270956	Screw, H.C. 3/8-16 x 1-1/4 . . . . .	4
41	277062	Bearing, Ball. . . . .	1
42	277065	Seal, Rear Oil . . . . .	1

REF. NO.	KOHLER PART NO.	DESCRIPTION	NO. REQ'D.
43	277087	Gasket, Closure Plate . . . . .	1
44	48 009 01	Plate, Rear Closure . . . . .	1
45	277038	Bushing. . . . .	1
46	277039	Bushing. . . . .	1
47	277208	Bearing . . . . .	1
48	48 005 05	Crankcase - Assembly. . . . .	1
49	235007-S	Guide, Valve. . . . .	4
50	230265	Insert, Intake Valve . . . . .	2
<b>CRANKSHAFT -- 8-9-24</b>			
51	X-42-15	Key, Woodruff . . . . .	1
52	X-269-30	Ring, Retaining. . . . .	1
53	X-269-32	Ring, Retaining. . . . .	1
54	277009	Gear, Crankshaft. . . . .	1
55	277659	Crankshaft. . . . .	1
<b>CYLINDER HEAD -- 9-9-6</b>			
56	X-280-13	Pin, Roll 3/16 x 1-1/8 . . . . .	2
57	270158	Screw, H.C. 3/8-16 x 1-1/2 . . . . .	18
58	270889	Washer 3/8. . . . .	18
59	277043	Head, Cylinder . . . . .	2
60	48 052 01	Gasket, Cylinder Head . . . . .	2
<b>DIPSTICK -- 10-9-8</b>			
61	A-271825	Tube, Oil Fill . . . . .	1
62	277668	Dipstick. . . . .	1
<b>ELECTRIC START -- 11-9-21</b>			
63	48 155 02	Connector . . . . .	1
64	270154	Clip, Cable . . . . .	2
65	A-277599	Starter - Assembly . . . . .	1
66	277613	Kit, Brush and Spring. . . . .	1
67	237878	Kit, Stator . . . . .	1
<b>INTAKE AND EXHAUST MANIFOLDS -- 12-9-23</b>			
68	X-75-37	Plug, Pipe 1-1/2. . . . .	1
70	235899	Stud . . . . .	4
71	236742	Strap, Lifting . . . . .	2
72	277091	Gasket, Manifold. . . . .	2
73	48 052 02	Gasket, Intake . . . . .	2
74	48 164 07	Manifold, Intake . . . . .	1
75	277482	Manifold, Exhaust . . . . .	1
<b>FLYWHEEL -- 13-9-35</b>			
76	X-45-3	Key, Woodruff No. 15 . . . . .	1
77	X-80-1	Nut, Hex. . . . .	1
78	277017	Screen, Grass . . . . .	1
79	277637	Shaft, Front Drive . . . . .	1
80	277595	Nut, Lock . . . . .	1
81	48 025 05	Flywheel - Assembly . . . . .	1
82	277122	Gear, Ring . . . . .	1
<b>FUEL PUMP -- 14-9-14</b>			
83	277649	Gasket, Fuel Pump . . . . .	1
84	X-426-9	Clamp, Hose. . . . .	1
85	X-386-42	Line, Fuel . . . . .	1

**BOLENS HT-20 TRACTOR**

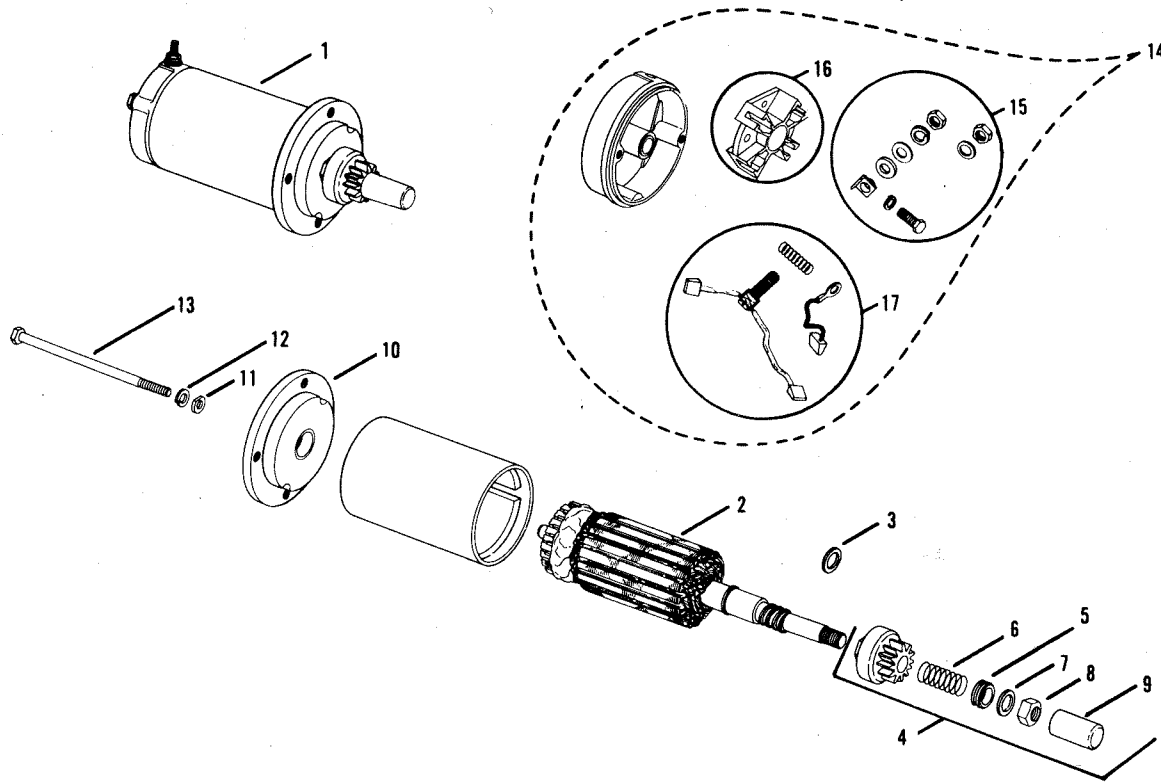


**Figure 2A KOHLER ENGINE ASSEMBLY (K532S-53138A)**





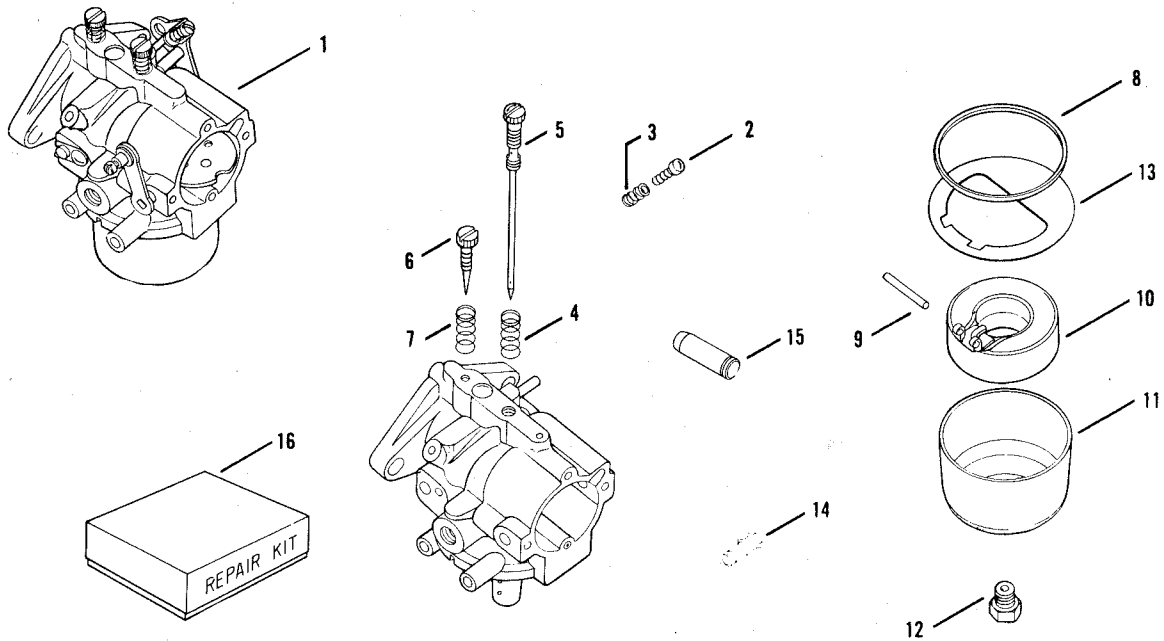
# BOLENS HT-20 TRACTOR



REF. NO.	PART NO.	DESCRIPTION	NO. REQ'D.
1	A-277599	Starter - Assembly . . . . .	1
2	277605	Armature . . . . .	1
3	277611	Washer, Armature Thrust . . .	1
4	48 755 02	Kit, Drive . . . . .	1
5	277606	Spacer, Stop Gear . . . . .	1
6	277607	Spring, Anti-Drift . . . . .	1
7	277614	Washer, Stop Spring . . . . .	1
8	277619	Nut . . . . .	1
9	237643	Cover, Dust . . . . .	1

REF. NO.	PART NO.	DESCRIPTION	NO. REQ'D.
10	277610	Cap, Drive End . . . . .	1
11	277615	Washer, Flat . . . . .	1
12	277616	Washer, Split . . . . .	2
13	277609	Bolt, Thru . . . . .	2
14	277612	Cap, Commutator End . . . . .	1
15	237761	Kit, Hardware . . . . .	1
16	237762	Kit, Brush Holder . . . . .	1
17	277613	Kit, Brush and Spring . . . . .	1

Figure 2B STARTER ASSEMBLY (A-277599)

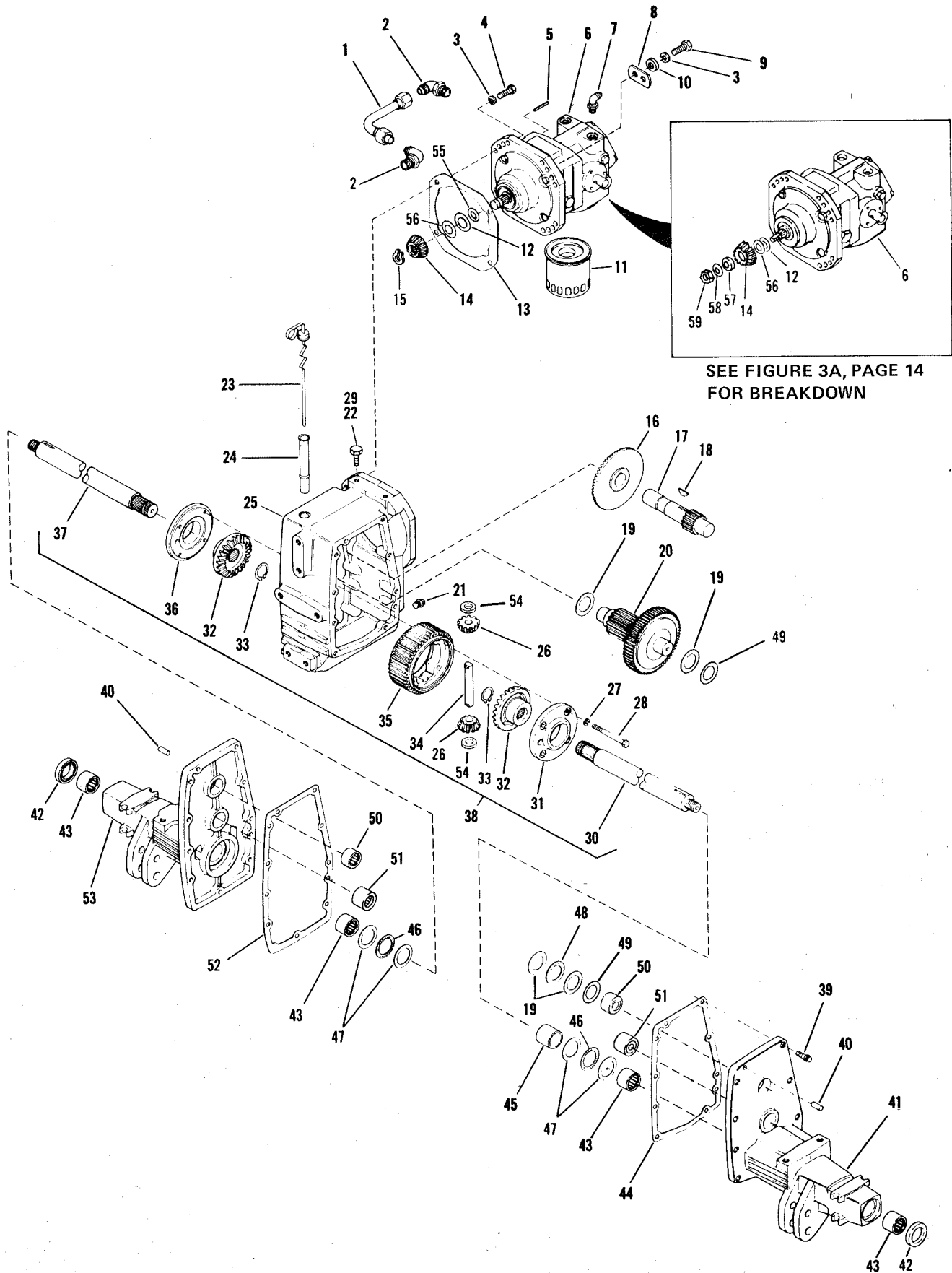


REF. NO.	PART NO.	DESCRIPTION	NO. REQ'D.
1	48 053 07	Carburetor - Assembly . . . .	1
2	234945	Screw, Idle Speed Adjusting . . . . .	1
3	200380	Spring, Idle Speed Adjusting . . . . .	1
4	200383	Spring, Main Fuel Adjusting Needle . . . . .	1
5	47 103 01	Needle, Main Fuel Adjusting . . . . .	1
6	277210	Needle, Idle Fuel Adjusting . . . . .	1

REF. NO.	PART NO.	DESCRIPTION	NO. REQ'D.
7	200380	Spring, Idle Fuel Adjusting Needle . . . . .	1
8	200375	Gasket, Fuel Bowl . . . . .	1
9	200376	Pin, Float Hinge . . . . .	1
10	200408	Float . . . . .	1
11	235448	Bowl, Fuel . . . . .	1
12	235447	Nut, Fuel Bowl . . . . .	1
13	200439	Gasket, Anti-Splash . . . . .	1
14	231052	Clamp, Swivel Wire . . . . .	1
15	45 208 03	Body, Ball Joint . . . . .	1
16	221519	Repair Kit, Carburetor . . . .	1

Figure 2C CARBURETOR ASSEMBLY (48 053 07)

BOLENS HT-20 TRACTOR



SEE FIGURE 3A, PAGE 14  
FOR BREAKDOWN

Figure 3 HYDRO and TRANSAXLE ASSEMBLY  
12

REF. NO.	PART NO.	DESCRIPTION	NO. REQ'D.	REF. NO.	PART NO.	DESCRIPTION	NO. REQ'D.
1	1724247	Tube Assembly, 37° Flare..	1	34	1724075	Pinion Shaft . . . . .	1
2	1724390	Fitting, 90° Elbow . . . . .	2	35	1724085	Bull Gear, 44T . . . . .	1
3	● 1100243	Lockwasher, 3/8 . . . . .	4	36	1724071	Carrier, Bull Gear, L.H. . . . .	1
4	● 1100043	Capscrew, 3/8 x 1-1/4 . . . . .	3	37	1724077	Axle, Left Hand . . . . .	1
5	1185376	Roll Pin, 3/16 x 1-1/2 . . . . .	1	38	1724110	Differential Assembly (Incl. Ref. Nos. 26 thru 28 & 30 thru 37) . . . . .	1
6	1724349	Hydrostatic Package (1) . . . . .	1	39	● 1185771	Capscrew, Counterbore, 3/8-16 x 1 . . . . .	17
	1727789	Hydrostatic Package (1)(2) . . . . .	2				
		Includes Ref. Nos. 12, 14, 56 thru 59		40	1110189	Dower Pin, 3/8 x 1 . . . . .	4
7	1185737	Fitting, 90° Elbow . . . . .	2	41	1728698	Cover, Transaxle Housing, R.H. (Incl. Ref. Nos. 43, 50, 51) . . . . .	1
8	1725415	Neutral Anchor . . . . .	1	42	1185929	Oil Seal . . . . .	2
9	● 1100047	Capscrew, 3/8 x 1-1/2 . . . . .	1	43	1186003	Bearing, Needle 1-5/8 O.D. . . . .	4
10	● 1107383	Flat Washer . . . . .	1		1728081	Bearing, Needle 1-3/4 O.D. . . . .	4
11	1726450	Oil Filter . . . . .	1	44	1724086	Gasket, Cover, Right Hand . . . . .	1
12	1726630	Shim, .005" (1) . . . . .	1	45	1724094	Spacer . . . . .	1
	1728832	Shim, .005" (1)(2) . . . . .	1	46	1186007	Bearing, Rofler, Thrust . . . . .	2
13	1720282	Gasket. . . . .	1	47	1186006	Race, Thrust. . . . .	4
14	1727265	Pinion, Bevel 18T . . . . .	1	48	1185764	Bearing, Roller, Thrust . . . . .	1
15	1185438	Retaining Ring (1) . . . . .	1	49	1718781	Shim .005 . . . . .	As Req'd
16	1724079	Bevel Gear, 56T . . . . .	1	50	1185774	Bearing, Needle (Closed End) . . . . .	2
17	1724081	Pinion Shaft, 15T . . . . .	1	51	1186010	Bearing, Needle (Closed End) . . . . .	2
18	1100279	Key, Woodruff . . . . .	1	52	1724087	Gasket, Cover, Left Hand . . . . .	1
19	1186002	Race, Thrust .125 . . . . .	4	53	1728697	Cover, Transaxle Housing L.H. (Incl. Ref. Nos. 43, 50, 51) . . . . .	1
20	1724083	Cluster Gear, 16T and 55T . . . . .	1	54	*1715301	Thrust Washer. . . . .	2
21	1185930	Pipe Plug (Square Head Magnetic) . . . . .	1	55	1728130	"O" Ring (1) . . . . .	1
22	● 1100046	Capscrew, 3/8-16 x 1 . . . . .	2	56	1725863	Shim, .010" (1) . . . . .	1
23	1724093	Dip Stick (1)(2) . . . . .	1		1728833	Shim, .010" (1)(2) . . . . .	1
	1724092	Dip Stick (3) . . . . .	1	57	● 1727281	Washer . . . . .	1
24	1724091	Tube (1)(2) . . . . .	1	58	● 1727266	Washer . . . . .	1
	1724090	Tube (3) . . . . .	1	59	● 1186212	Nut 3/8-24. . . . .	1
25	1724102	Housing, Transaxle . . . . .	1	N.I.	1719650	Trans. Fluid, 1 gal.	
26	*1731865	Pinion, Bevel 10T . . . . .	2	N.I.	1721599	Trans. Fluid, 1 quart	
27	1100242	Lockwasher, 5/16 . . . . .	4				
28	● 1186015	Capscrew, 5/16-18 x 3-1/2 H.T. . . . .	4				
29	1100243	Lockwasher, 3/8 (3) . . . . .	2				
30	1724076	Axle, Right Hand . . . . .	1				
31	1724072	Carrier, Bull Gear, R.H. . . . .	1				
32	1724074	Bevel Gear, 22T . . . . .	2				
33	1185732	Retaining Ring, External. . . . .	2				

\* If Assembly Does Not Have Thrust Washers, Install Both Bevel Pinions and Thrust Washers.

- (1) Serial Numbers 0200101 thru 0299999
- (2) Serial Numbers 0300101 thru 0399999
- (3) Starting with Serial Number 0400101

● Common Hardware - Purchase Locally (Grade 5 where applicable)

BOLENS HT-20 TRACTOR

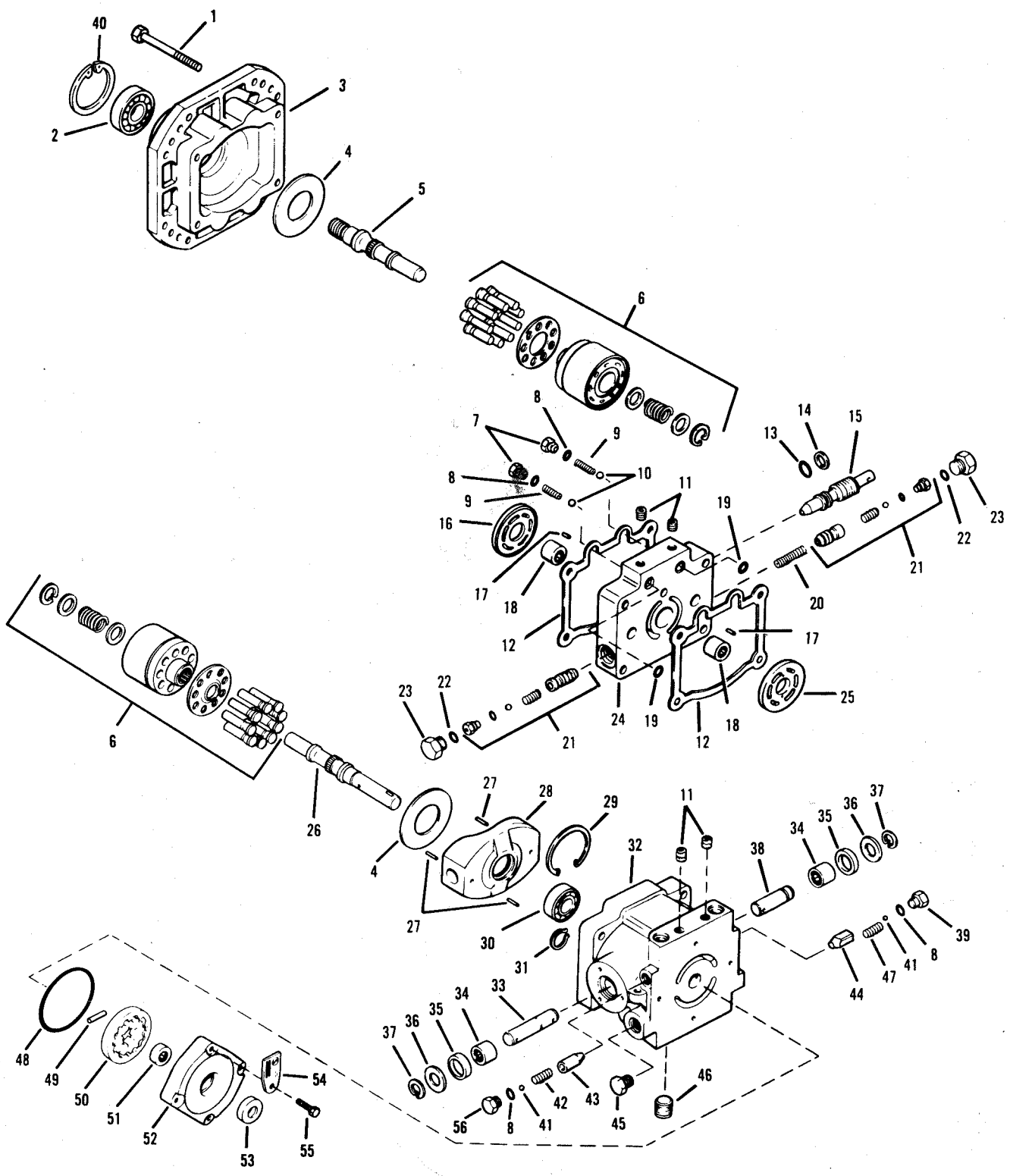


Figure 3A HYDRO ASSEMBLY  
14

REF. NO.	PART NO.	DESCRIPTION	NO. REQ'D.	REF. NO.	PART NO.	DESCRIPTION	NO. REQ'D.
1	1110644	Cap Screw . . . . .	4	30	1728255	Bearing . . . . .	1
2	1728251	Bearing . . . . .	1	31	1728226	Snap Ring . . . . .	1
3	1728201	Motor Housing (1)(2)(3) (4)(5) . . . . .	1	32	1728227	Pump Housing . . . . .	1
	1728887	Motor Housing (6) . . . . .	1	33	1728228	Control Shaft . . . . .	1
4	1728202	Thrust Plate . . . . .	2	34	1728229	Bearing . . . . .	2
5	1728203	Motor Shaft (1)(2)(3)(4) . . . . .	1	35	1728230	Seal . . . . .	2
	1728885	Motor Shaft, (5)(6) . . . . .	1	36	1728231	Washer . . . . .	2
6	1728204	Cylinder Block Assy. . . . .	2	37	1728225	Retaining Ring . . . . .	2
7	1728205	Check Valve Cap . . . . .	2	38	1728232	Trunnion Shaft . . . . .	1
8	1728252	"O"-Ring. . . . .	4	39	1728233	Hex Plug (Implement) . . . . .	1
9	1728206	Spring . . . . .	2	40	1728886	Snap Ring (6) . . . . .	1
10	1728207	Ball. . . . .	2	41	1728234	Shim Pack . . . . .	As Req'd
11	1728208	Pipe Plugs . . . . .	4	42	1728235	Charge Relief Valve Spring . . . . .	1
12	1728209	Gaskets . . . . .	2	43	1728236	Poppet Valve (Charge) . . . . .	1
13	1177388	"O"-Ring. . . . .	1	44	1728237	Poppet Valve (Implement) . . . . .	1
14	1728210	Back Up Ring. . . . .	1	45	1728238	Hex Plug . . . . .	1
15	1728211	Free Wheeling Valve. . . . .	1	46	1728239	Filter Union . . . . .	1
16	1728212	Motor Valve Plate . . . . .	1	47	1728240	Implement Relief Valve Spring . . . . .	1
17	1728213	Pin . . . . .	2			"O"-Ring. . . . .	1
18	1728253	Bearing . . . . .	2	48	1728241	Drive Pin . . . . .	1
19	1728214	"O"-Ring. . . . .	2	49	1728242	Charge Pump (Geroter) . . . . .	1
20	1728215	Acceleration Valve Spring . . . . .	2	50	1728243	Ball Bearing, (1)(2)(3) . . . . .	1
21	1728216	Acceleration Valve Assembly . . . . .	2	51*	1728244	Needle Bearing (4)(5)(6) . . . . .	1
22	1185773	"O"-Ring. . . . .	2	52*	1728245	Charge Pump Housing (1)(2)(3) . . . . .	1
23	1728217	Hex Plug . . . . .	2		1728246	Charge Pump Housing (4)(5)(6) . . . . .	1
24	1728218	Center Section . . . . .	1	53	1728247	Seal (1)(2)(3) . . . . .	1
25	1728219	Pump Valve Plate R.H . . . . .	1		1728248	Seal (4)(5)(6) . . . . .	1
26*	1728221	Pump Shaft, (1)(2)(3) . . . . .	1	54	1728249	Identification Tag . . . . .	1
	1728222	Pump Shaft (4)(5)(6) . . . . .	1	55	1100808	Cap Screw . . . . .	4
27	1728223	Roll Pins . . . . .	3	56	1728888	Hex Plug (charge) . . . . .	1
28	1728224	Pump Swash Plate . . . . .	1				
29	1728254	Snap Ring . . . . .	1				

- (1) Sundstrand Type 90-1118-01 (Bolens No. 1724349)
- (2) Sundstrand Type 90-1118-02 (Bolens No. 1724249)
- (3) Sundstrand Type 90-1118-03 (Bolens No. 1724349)
- (4) Sundstrand Type 90-1118-04 (Bolens No. 1724349)
- (5) Sundstrand Type 90-1148 (Bolens No. 1727789)
- (6) Sundstrand Type 90-1153 (Bolens No. 1727789)

**NOTE: ALWAYS REFER TO IDENTIFICATION TAG (REF. No. 54)  
TO OBTAIN SUNDSTRAND MODEL AND TYPE NUMBER.  
TYPE NUMBER PRECEDES SERIAL NUMBER.**

\*No longer available - must be replaced by one or each of the following parts: 1728222, Pump Shaft; 1728250, Needle Bearing; 1728246, Charge Pump Housing; & 1728248, Seal.

BOLENS HT-20 TRACTOR

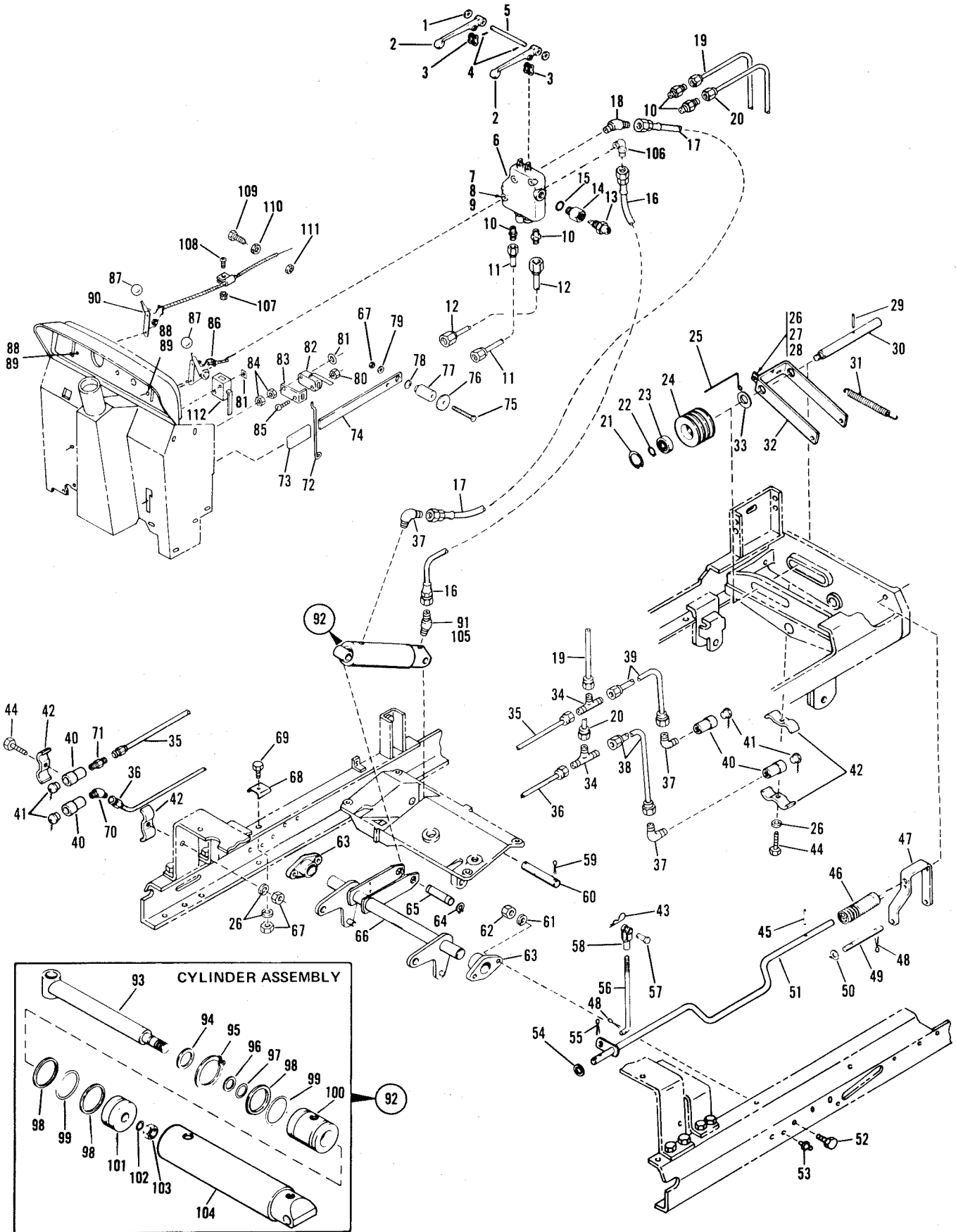


Figure 4 HAND CONTROLS and LIFT ASSEMBLY  
16



REF. NO.	PART NO.	DESCRIPTION	NO. REQ'D.	REF. NO.	PART NO.	DESCRIPTION	NO. REQ'D.
1	• 1107382	Flat Washer, 5/16	2	57	1112587	Clevis Pin	1
2	1722539	Lever, Control Valve	2	58	222007	Clutch Yoke	1
3	1185018	Link, Connector 5/8P.	2	59	• 1100351	Cotter Pin, 1/8 x 1-1/4	2
4	• 1100346	Cotter Pin, 3/32 x 3/4	2	60	1724585	Pivot Pin	1
5	1722546	Rod, Control Valve	1	61	• 1100243	Lockwasher, 3/8	4
6	1722528	Control Valve Assy., 2 Spool	1	62	• 1110108	Lock Nut, 3/8-16	4
	1723215	Valve Repair Kit	1	63	1718593	Block Bearing	2
7	• 1100807	Capscrew, 1/4-20 x 2	2	64	1113527	Retaining Ring	2
8	• 1100241	Lockwasher, 1/4	2	65	1724355	Pin, Cylinder Rod	1
9	• 1186229	Nut, 1/4-20	2	66	1724357	Pivot Shaft	1
10	1717563	Connector	4	67	• 1186230	Nut, 5/16-18	2
11	1724346	Return Tube Assembly	1	68	1722667	Clamp, Tubing	1
12	1724347	Pressure Tube Assembly	1	69	• 1100808	Capscrew, 1/4-20 x 1-1/4	1
13	1724584	Temperature Switch	1	70	1185903	Elbow, 45°	1
14	1724358	Plug, Adapter	1	71	1721989	Connector	1
15	1185773	O-Ring	1	72	1726345	Control, Switch	1
16	1719178	Cylinder Hose Assembly	1	73	1715711	Handle Grip	1
17	1719179	Cylinder Hose Assembly	1	74	1723304	PTO Lever	1
18	1185902	Elbow, 45°	1	75	• 1111609	Capscrew, 5/16-18 x 2-3/4	1
19	1722700	Tube Assembly, 37° flared	1	76	1723384	Special Washer	2
20	1722701	Tube Assembly, 37° flared	1	77	1723302	PTO Lever Support	1
21	1187439	Retaining Ring, Internal	1	78	1701411	Bowed Washer	1
22	1118809	Retaining Ring, External	1	79	1708268	Washer	1
23	1185064	Ball Bearing	1	80	• 1726432	Lock Nut, No. 4-40	1
24	1719202	Idler Sheave	1	81	1726140	Speed Nut, Push On	3
25	1718606	Belt Guide	1	82	1725550	PTO Switch	1
26	• 1100242	Lockwasher, 5/16	4	83	1726346	Bracket, Switch	1
27	• 1103195	Capscrew, 5/16-18 x 5/8	1	84	• 1186225	Nut, No. 6-32	2
28	• 1107382	Flat Washer, 5/16	1	85	• 1186273	Machine Screw, No. 4-40 x 5/8	1
29	1185376	Roll Pin, 3/16 x 1-1/2	1	86	1723313	Throttle Control (1)	1
30	1718567	Idler Shaft	1		1730850	Throttle Control (2)	1
31	1703615	Extension Spring	1	87	1724527	Knob Only	2
32	1718616	Idler Shaft Bail	1	88	• 1116287	Machine Screw, No. 10-24 x 5/8	4
33	• 1107387	Flat Washer, 3/4	1	89	• 1185985	Nut, No. 10-24	4
34	1185904	Tee	2	90	1723312	Choke Control	1
35	1722696	Tube Assembly, 37° flared	1	91	1725928	Elbow, 45° (1)(2)	1
36	1722697	Tube Assembly, 37° flared	1	92	1724520	Cylinder (Incl. Nos. 93 thru 104)	1
37	1185739	Elbow, 90°	3	93	1724512	Piston Rod Assembly	1
38	1722698	Tube Assembly, 37° flared	1	94	1185266	Oil Seal	1
39	1722699	Tube Assembly, 37° flared	1	95	1118735	Snap Ring	1
40	1717627	Coupling, Body	4	96	1186019	Ring Washer	1
41	1720733	Plug, Dust	4	97	1177395	O-Ring	1
42	1722560	Clamp, Coupling	4	98	1186018	Ring Washer	3
43	1703011	Pin, Hairspring	1	99	1186017	O-Ring	2
44	• 1111606	Capscrew, 5/16-18 x 2	2	100	1724511	Cylinder Head	1
45	1185552	Drive Pin, 3/16 x 1-3/4	1	101	1724515	Piston	1
46	1722565	Torsion Spring	1	102	1177509	O-Ring	1
47	1718528	Control Arm	1	103	• 1110154	Lock Nut, 5/8-18	1
48	• 1100346	Cotter Pin, 3/32 x 3/4	4	104	1724516	Cylinder Tube	1
49	1718533	Arm Pin	1	105	1185739	Elbow 90° (3)	1
50	• 1107383	Flat Washer, 3/8	2	106	1185737	Elbow 90° (3)	1
51	1722564	Control Rod	1	107	• 1185869	Keps Nut No. 8-32	2
52	• 1100047	Capscrew, 3/8-16 x 1-1/2	4	108	• 1110672	Rd. Hd. Screw No. 8-32 x 5/8	2
53	1185976	Grease Fitting	2	109	1805169	Screw, Spec. 1/4-28 x 3/4	2
54	• 1107385	Flat Washer, 1/2	2	110	1110148	Nut, Hex 1/4-28	2
55	• 1100356	Cotter Pin, 3/32 x 1	2	111	1186243	Nut, Jam 1/4-28	2
56	1724458	PTO Control Rod	1	112	1728198	Switch (3)	1

• Common Hardware - Purchase Locally (Grade 5 where applicable)

- (1) Serial Numbers 0200101 thru 0299999
- (2) Serial Numbers 0300101 thru 0399999
- (3) Starting with Serial Number 0400101

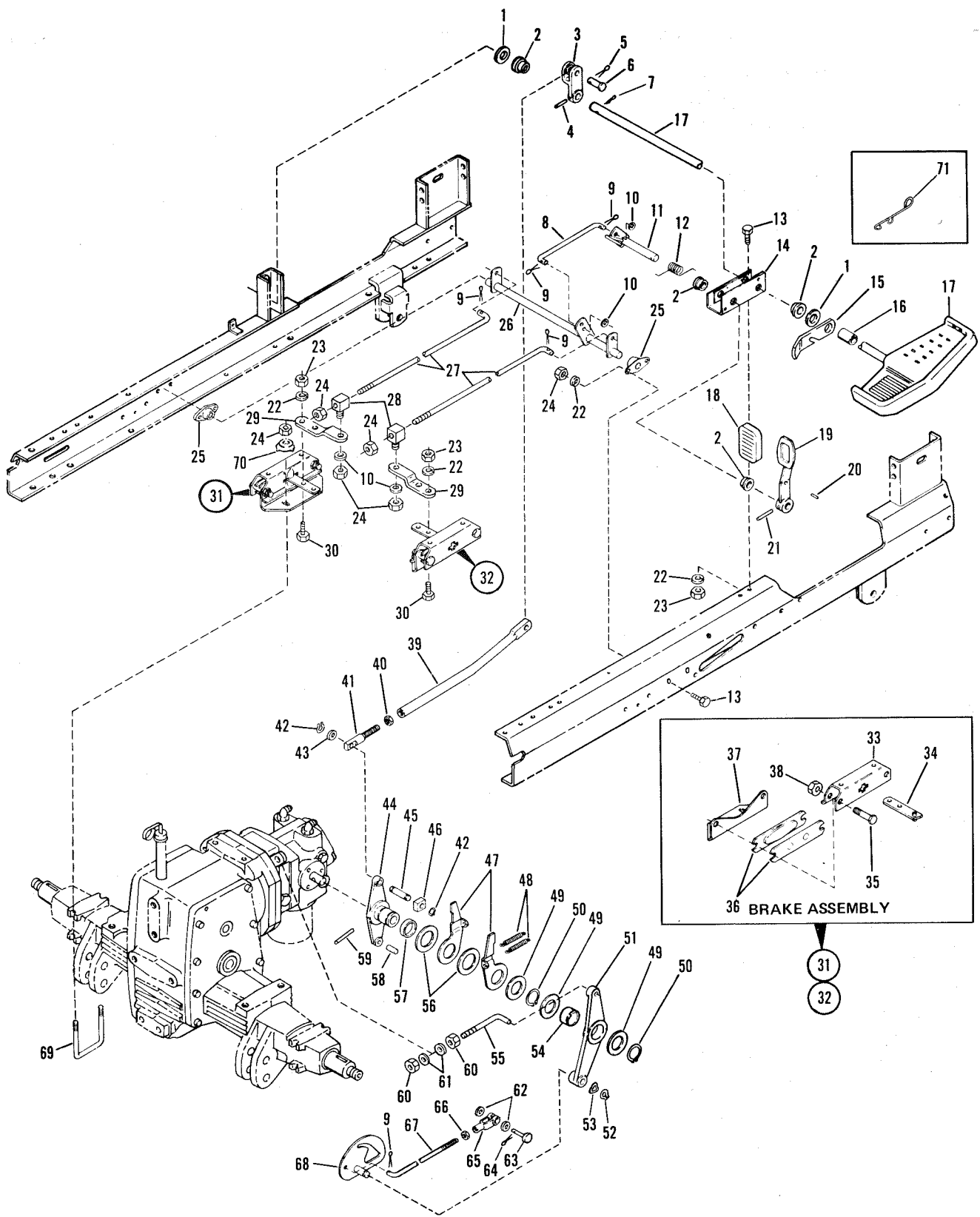


Figure 5 BRAKE and HYDRO CONTROL ASSEMBLY  
18

REF. NO.	PART NO.	DESCRIPTION	NO. REQ'D.	REF. NO.	PART NO.	DESCRIPTION	NO. REQ'D.
1	1706594	Washer . . . . .	2	33	1724587	Bracket, Secondary . . . . .	1
2	1185034	Flange Bushing (1)(2). . . . .	4	34	1724588	Lever, Actuating . . . . .	1
	1734160	Flange Bushing (3). . . . .	4	35	1724590	Bolt . . . . .	2
3	1724467	Control Arm. . . . .	1	36	1724589	Stator Plate . . . . .	2
4	1713432	Drive Pin, 1/16 x 1-1/4. . . . .	1	37	1724473	Support, Brake . . . . .	1
5	● 1100350	Cotter Pin, 1/8 x 1. . . . .	1	38	● 1724591	Lock Nut. . . . .	2
6	1724632	Clevis Pin, 1/2 x 1-1/4 . . . . .	1	39	1724447	Control Rod. . . . .	1
7	● 1100351	Cotter Pin, 1/8 x 1-1/4. . . . .	1	40	● 1186261	Jam Nut, 1/2-13 . . . . .	1
8	1724454	Tie Rod. . . . .	1	41	1724446	Rod End . . . . .	1
9	● 1100346	Cotter Pin, 3/32 x 3/4 . . . . .	5	42	1185219	Retaining Ring, External. . . . .	2
10	● 1107383	Flat Washer, 3/8 . . . . .	4	43	1890948	Flat Washer . . . . .	1
11	1724434	Brake Arm Assembly . . . . .	1	44	1724449	Speed Control Arm . . . . .	1
12	1724453	Torsion Spring . . . . .	1	45	1724445	Control Pin . . . . .	1
13	● 1100068	Capscrew, 3/8-16 x 3/4. . . . .	6	46	1720699	Cushion Block . . . . .	1
14	1724569	Support Assembly, Control Shaft . . . . .	1	47	1725359	Neutralizer Arm . . . . .	2
15	1727180	Latch Assembly, Brake. . . . .	1	48	1724582	Extension Spring. . . . .	2
16	1721378	Spacer. . . . .	1	49	1720529	Thrust Washer. . . . .	3
17	1725413	Speed Control Pedal (1)(2) . . . . .	1	50	1185732	Retaining Ring, External. . . . .	2
	1732323	Speed Control Pedal (3) . . . . .	1	51	1724452	Neutral Stop Arm . . . . .	1
18	1719539	Pedal Pad. . . . .	1	52	1118804	Retaining Ring . . . . .	1
19	1724437	Brake Pedal . . . . .	1	53	1706782	Wave Washer. . . . .	1
20	1120209	Roll Pin, 3/16 x 3/4. . . . .	1	54	1724581	Bearing . . . . .	1
21	1185232	Drive Pin, 3/16 x 1-1/4. . . . .	1	55	1724444	Rod, Neutral Adjuster . . . . .	1
22	● 1100243	Lockwasher, 3/8 . . . . .	8	56	1720361	Thrust Washer. . . . .	2
23	● 1186231	Nut, 3/8-16 . . . . .	6	57	1720706	Bearing . . . . .	1
24	● 1110108	Lock Nut, 3/8-16 . . . . .	12	58	1110187	Dowel Pin . . . . .	1
25	1724457	Flange Bearing . . . . .	2	59	1186022	Spiral Roll Pin . . . . .	1
26	1724440	Shaft Assembly, Transfer . . . . .	1	60	● 1186232	Nut, 7/16-14 . . . . .	2
27	1724461	Brake Rod . . . . .	2	61	● 1100265	Flat Washer, 1/4 . . . . .	2
28	1724459	Swivel. . . . .	2	62	● 1107382	Flat Washer, 5/16 . . . . .	2
29	1724460	Arm, Brake Extension . . . . .	2	63	1705602	Clevis Pin, 5/16 x 1-1/16. . . . .	1
30	● 1100046	Capscrew, 3/8-16 x 1 . . . . .	4	64	● 1100349	Cotter Pin, 1/8 x 3/4 . . . . .	1
31	1724580	Brake Assembly, L.H. (Incl. Ref. Nos. 33 thru 38) . . . . .	1	65	1710583	Rod End . . . . .	1
32	1724599	Brake Assembly, R.H. (Incl. Ref. Nos. 33 thru 38) . . . . .	1	66	● 1109528	Nut, 5/16-24 . . . . .	1
				67	1724455	Rod, Lock Plate Control. . . . .	1
				68	1724443	Lock Plate Assembly . . . . .	1
				69	1724468	U-Bolt, 3/8-16 . . . . .	2
				70	1185715	Lockwasher, 3/8 Pyramid . . . . .	4
				71	1724623	Latch Assembly, Brake (1) . . . . .	1

● Common Hardware - Purchase Locally (Grade 5 where applicable)

- (1) Serial Numbers 0200101 thru 0299999
- (2) Serial Numbers 0300101 thru 0399999
- (3) Starting with Serial Number 0400101

# BOLENS HT-20 TRACTOR

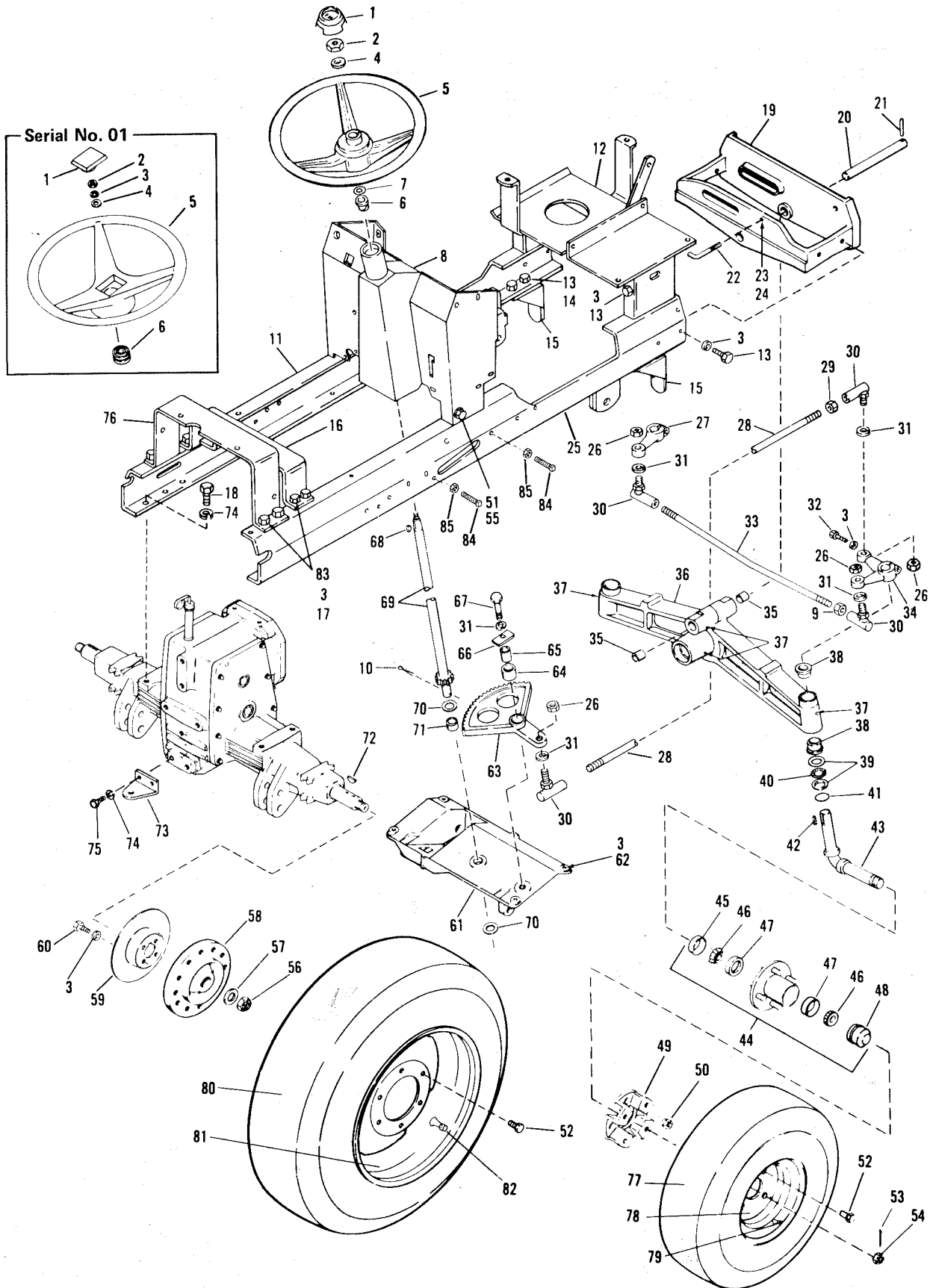


Figure 6 FRAME, STEERING and AXLE ASSEMBLIES  
20

REF. NO.	PART NO.	DESCRIPTION	NO. REQ'D.	REF. NO.	PART NO.	DESCRIPTION	NO. REQ'D.
1	1727415	Steering Wheel Cap (1) . . . .	1	43	1723468	Spindle Assembly . . . . .	2
	1731551	Steering Wheel Cap . . . . .	1	44	*1723110	Wheel Hub Assembly (Incl. Ref. Nos. 45 thru 48) (1) .	2
2	● 1110108	Nut, 3/8-16 . . . . .	9		1730406	Wheel Hub Assembly (Incl. Ref. Nos. 45 thru 48) . . .	2
3	● 1100243	Lockwasher, 3/8 . . . . .	31	45	1719601	Felt Seal . . . . .	2
4	● 1107383	Flat Washer, 3/8 . . . . .	1	46	1185661	Cone, Roller Bearing . . . . .	4
5	1721805	Steering Wheel (1) . . . . .	1	47	1185660	Cup, Roller Bearing . . . . .	4
	1731552	Steering Wheel . . . . .	1	48	1719599	Cap. . . . .	2
6	1720134	Bearing, Self-Aligning (1)(3)	1	49	*1723092	Wheel Spacer (1) . . . . .	2
	1717263	Bearing, Self-Aligning (2) . .	1	50	1724322	Wheel Nut . . . . .	8
7	1713122	Washer, Bowed (2) . . . . .	1	51	● 1100088	Capscrew, 5/16-18 x 1/2. . .	2
	1708012	Washer (3) . . . . .	AR	52	1715428	Wheel Bolt, 1/2-20. . . . .	20
8	1727283	Steering Column (1)(2). . . .	1	53	● 1104222	Cotter Pin, 3/16 x 1-1/2 . . .	2
	1734590	Steering Column (3). . . . .	1	54	1185758	Castle Nut, Special 1-1/4. . .	2
9	1185082	Nut, 5/8-18 . . . . .	1	55	● 1177548	Shakeproof Washer . . . . .	2
10	● 1100351	Cotter Pin, 1/8 x 1-1/4. . . .	1	56	● 1120390	Lock Nut, 3/4-10 . . . . .	2
11	1724496	Frame, Left Hand . . . . .	1	57	● 1708599	Flat Washer . . . . .	2
12	1722681	Support, Battery and Gas Tank . . . . .	1	58	1724089	Wheel Hub . . . . .	2
13	● 1100068	Capscrew, 3/8-16 x 3/4. . . .	12	59	1724478	Disc Brake . . . . .	2
14	● 1185715	Lockwasher, 3/8 . . . . . (Pyramid) . . . . .	4	60	● 1100046	Capscrew, 3/8-16 x 1 . . . . .	8
		Stop Assembly . . . . .	2	61	1724526	Steering Bridge . . . . .	1
15	1722625	Support, Transmission . . . .	1	62	● 1100046	Capscrew, 3/8-16 x 1 . . . . .	4
16	1724465	Support, Transmission . . . .	1	63	1718506	Gear, 23T . . . . .	1
17	● 1100913	Capscrew, 3/8-16 x 7/8. . . .	8	64	1185711	Bronze Bearing . . . . .	1
18	● 1100054	Capscrew, 1/2-13 x 1 . . . . .	4	65	1718555	Spacer. . . . .	1
19	1722832	Support, Axle. . . . .	1	66	1721405	Steering Plate . . . . .	1
20	1718548	Pin, Axle Pivot . . . . .	1	67	● 1107064	Capscrew, 5/8-11 x 2 . . . . .	1
21	1185376	Roll Pin, 3/16 x 1-1/2 . . . .	2	68	1104436	Woodruff Key, 3/16 x 3/4. .	1
22	1719147	Belt Guide . . . . .	1	69	1718588	Steering Shaft. . . . .	1
23	● 1100241	Lockwasher, 1/4 . . . . .	1	70	1707546	Thrust Washer. . . . .	2
24	● 1186229	Nut, 1/4-20 . . . . .	1	71	1185319	Bronze Bearing . . . . .	1
25	1724498	Frame, Right Hand . . . . .	1	72	1187255	Woodruff Key, 5/16 x 1-1/4	2
26	● 1185082	Lock Nut, 5/8-18 . . . . .	4	73	1724416	Drawbar . . . . .	1
27	1718513	Steering Arm, Left Hand. . .	1	74	● 1100245	Lockwasher, 1/2. . . . .	6
28	1722562	Drag Link . . . . .	1	75	● 1100055	Capscrew, 1/2-13 x 1-1/4 . .	2
29	● 1186216	Nut, 5/18-18 . . . . .	1	76	1724406	Support, Fender . . . . .	1
30	1719003	Ball Joint. . . . .	4	77	1723116	Tire 18 x 8.50-8 (Terra) . . .	2
31	● 1100247	Lockwasher, 5/8 . . . . .	5		1732925	Tire 18 x 8.50-8 (Softrac) . .	2
32	● 1100011	Capscrew, 3/8-24 x 1-1/2 . .	2	78	1723115	Wheel . . . . .	2
33	1718575	Tie Rod. . . . .	1	79	1718086	Valve . . . . .	2
34	1718502	Steering Arm, Right Hand. .	1	80	1718298	Tire 26 x 12-12 (Agri) . . . .	2
35	1185612	Sleeve Bearing. . . . .	2		1732924	Tire 26 x 12-12 (Softrac) . .	2
36	1718602	Front Axle. . . . .	1	81	1718277	Wheel . . . . .	2
37	1185976	Grease Fitting. . . . .	4	82	1718242	Valve . . . . .	2
38	1185728	Flange Bearing . . . . .	4		1734132	Inner Tube (Optional) . . . .	As Req'd.
39	1185730	Thrust Race . . . . .	4	83	● 1186231	Hex Nut, 3/8-16 . . . . .	8
40	1185729	Thrust Bearing . . . . .	2	84	1103514	Set Screw, 3/8-16 x 1-1/2 . .	2
41	1185988	O-Ring . . . . .	2	85	1186259	Nut - Jam, 3/8-16 . . . . .	2
42	1104336	Square Key, 1/4 x 1. . . . .	2				

● Common Hardware - Purchase Locally (Grade 5 where applicable)

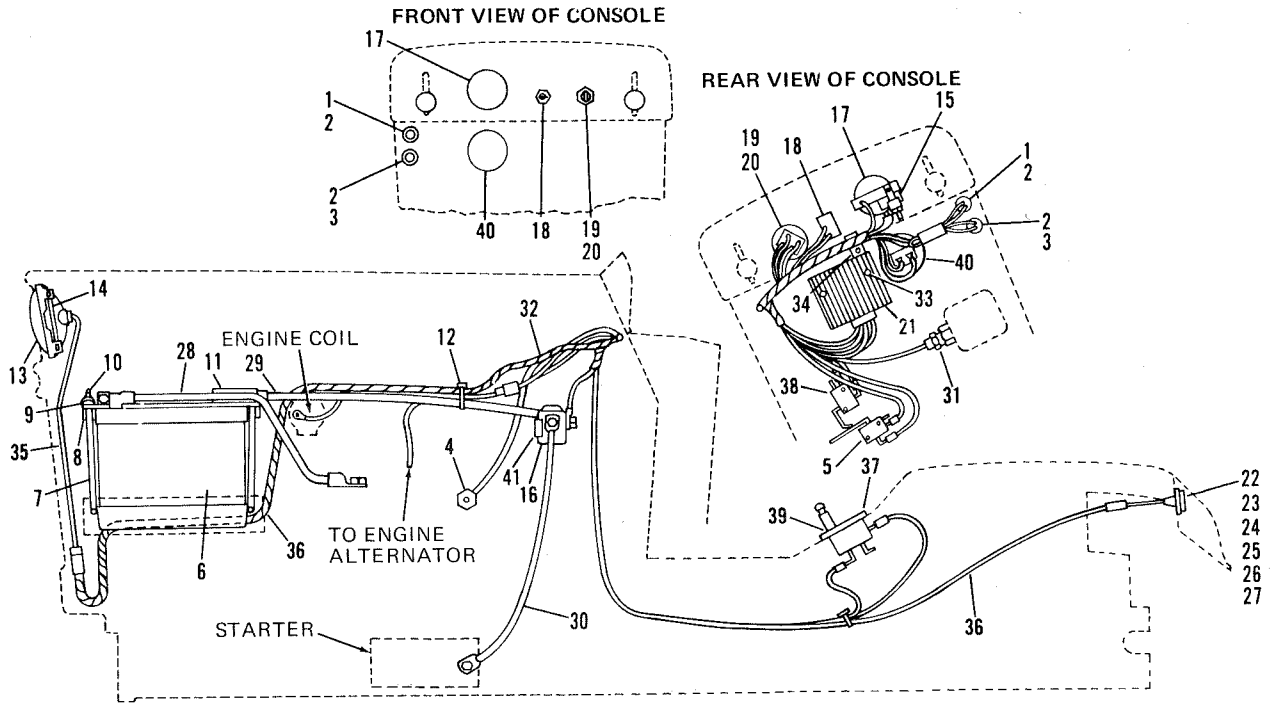
(1) Serial Numbers 0200101 thru 0299999

(2) Serial Numbers 0300101 thru 0399999

(3) Starting with Serial Number 0400101

\*Must be used as a combined assembly





REF. NO.	PART NO.	DESCRIPTION	NO. REQ'D.
1	1726174	Oil Indicator Lamp (Incl. Ref. No. 2) (1)(2)	1
	1734826	Oil Indicator Lamp (Incl. Ref. No. 2) (3)	1
2	**	Bulb (Mfg. No. 1895 R/Red) (1)(2)	2
	1735285	Bulb (GE No. 73) (3)	2
3	1726173	Heat Indicator Lamp (Incl. Ref. No. 2) (1)(2)	1
	1734825	Heat Indicator Lamp (Incl. Ref. No. 2) (3)	1
4	1726175	Oil Pressure Switch	1
5	1725550	Interlock Switch	1
6	1718027	Battery	1
7	1724361	Rod	2
8	1724360	Clamp	1
9	• 1107382	Flat Washer	2
10	1806192	Wing Nut, 5/16-18	2
11	1721413	Terminal Boot	1
12	1805345	Tie, Cable	6
13	1726435	Headlight (Mfg. No. 4406-1)	2
14	1806808	Spring Retainer	2
15	1725375	Circuit Breaker	1
16	1717048	Solenoid (1)	1
	1729547	Solenoid (2)(3)	1
17	1725031	Ammeter	1
18	1724894	Light Switch	1

REF. NO.	PART NO.	DESCRIPTION	NO. REQ'D.
19	1721409	Ignition Switch (Incl. Ref. No. 20)	1
20	1718266	Key Only	1
21	1725406	Regulator/Rectifier - 15 Amp	1
22	1805342	Tail Light Assembly (Incl. Ref. No. 23)	1
23	**	Bulb (Mfg. No. 1895)	1
24	1805110	Tail Light Lens	1
25	• 1116197	Machine Screw, No. 6-32 x 1/2	2
26	1103989	Lockwasher, No. 6	2
27	• 1186225	Nut, No. 6-32	2
28	1722733	Battery Cable, Ground	1
29	1722732	Battery Cable, Positive	1
30	1722731	Wire, Starter	1
31	1724584	Temperature Switch	1
32	1726376	Wiring Harness (Incl. Ref. Nos. 35 & 36)	1
33	• 1186389	Flange Nut, 1/4-20	2
34	1721252	"J" Clip	1
35	1727169	Head Light Harness	1
36	1727170	Main Harness (1)	1
	1732935	Main Harness (2)(3)	1
37	1734366	Seat Switch (3)	1
38	1728198	Switch (3)	1
39	1734472	Switch Seal (3)	1
40	1732263	Hour Meter (3)	1
41	1186389	Flange Nut, 1/4-20 (3)	2

•Common Hardware - Purchase Locally (Grade 5 where applicable)

- (1) Serial Numbers 0200101 thru 0299999
- (2) Serial Numbers 0300101 thru 0399999
- (3) Starting with Serial Number 0400101

\*\*Not Stocked. Purchase from your local automotive or electrical supplier.