

# BOLENS

HUSKY  
1220  
TRACTOR  
MODEL  
193-01

## ILLUSTRATED PARTS CATALOG



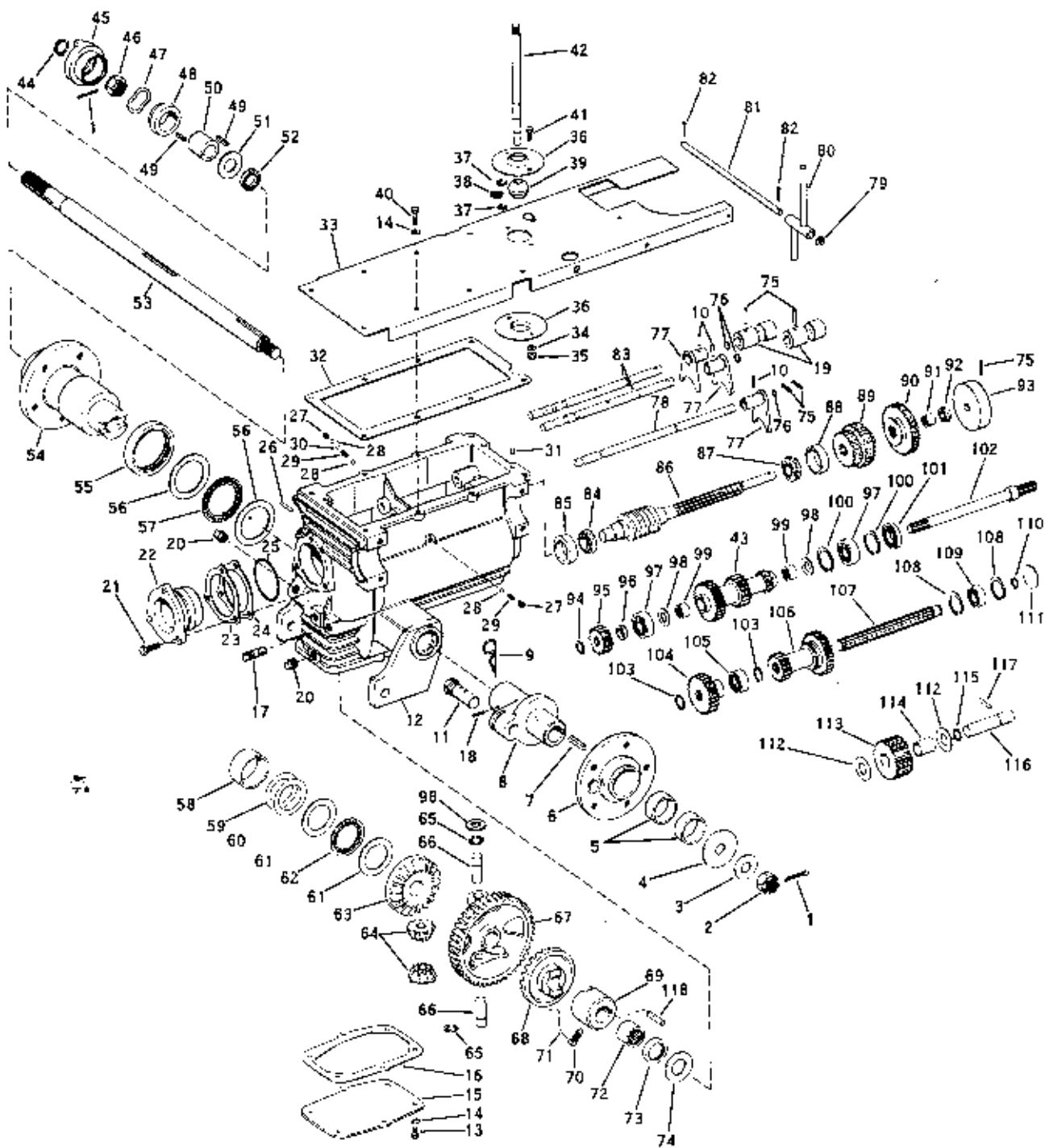
# BOLENS

PORT WASHINGTON, WISCONSIN, U.S.A.

PRINTED IN U.S.A.

FORM NO. P-551917 5/68

TRANSMISSION ASSEMBLY MODEL 193-01  
ASSEMBLY PART NO. 1716736



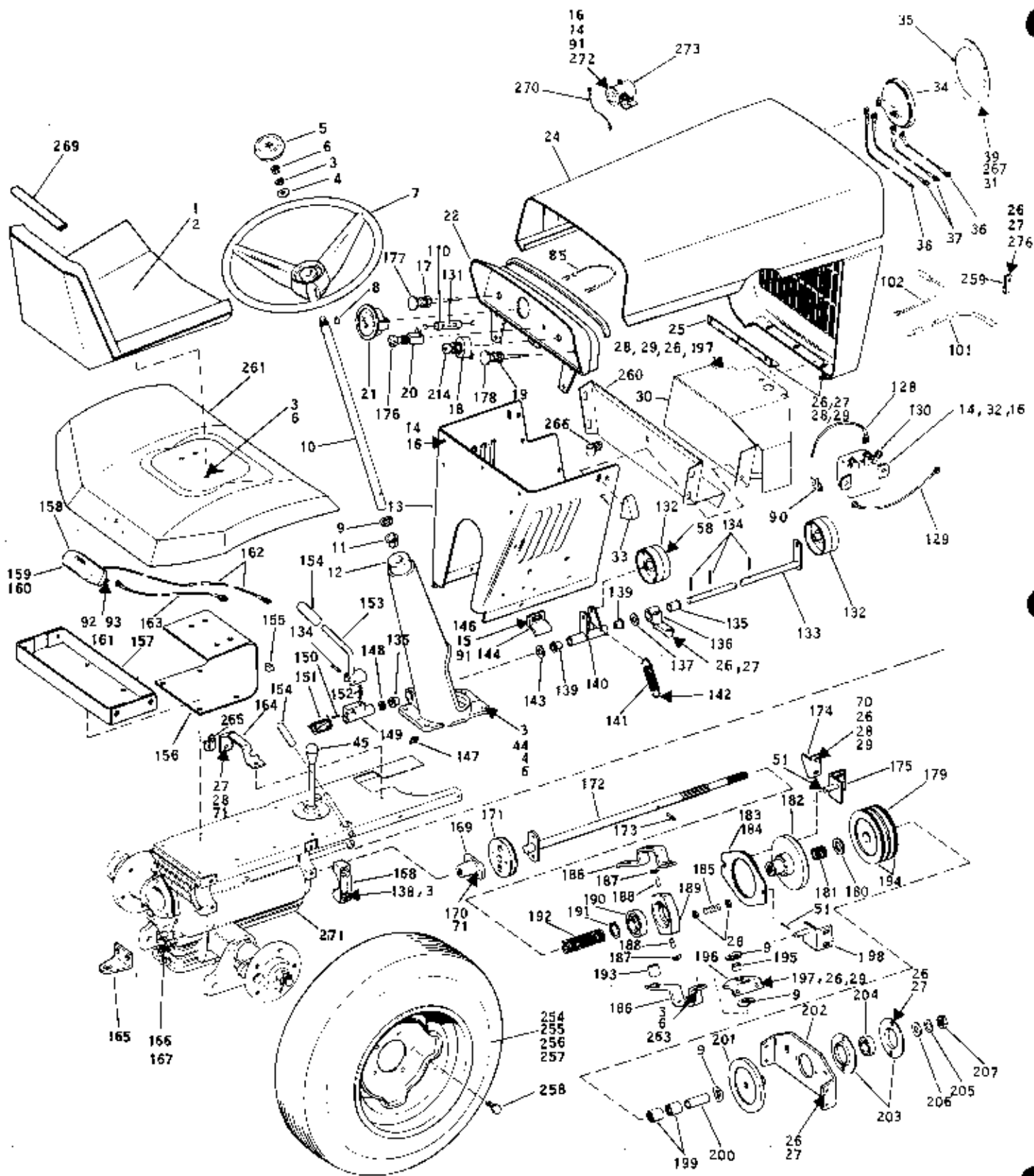
# TRANSMISSION ASSEMBLY MODEL 193-01

Ref. No.	Part No.	Description	No. Req'd.
1	1100352	Cotter Pin 1/8 x 1-1/2	2
2	1100653	Castle Nut 3/4-16 UNF	1
3	1707410	Washer	1
4	1716502	Washer	1
5	1185646	Bronze Bearing	2
6	1716509	Free Wheeling Hub	1
7	1104337	Sq. Key 1/4 x 1/4 x 1-1/2	1
8	1716508	Drive Collar	1
9	1185560	Hitch Pin	1
10	1703066	Roll Pin 1/8 x 3/4	3
11	1713426	Lock Pin	1
12	1718517	Gear Case	1
13	1106872	Capscrew 5/16-18 x 5/8	6
14	1100242	Lockwasher 5/16	14
15	1713428	Bottom Cover	1
16	1713427	Bottom Gasket	1
17	1718067	Stud	2
18	1185439	Drive Pin 1/4 x 5/8	1
19	1713422	Connector	2
20	1105678	Plug 3/8 N. P. T.	2
21	1185637	Capscrew - Special	3
22	1716497	Bearing Cap	1
23	1716493	Shim .0125	As Req.
24	1716494	Shim .005	As Req.
25	1185630	O-Ring	1
26	1120209	Roll Pin 3/16 x 3/4	1
27	1185342	Set Screw 5/16-18 x 3/8	2
28	1713416	Ball	3
29	1713417	Compression Spring	2
30	1713421	Pin	1
31	182682	Breather	1
32	1713429	Top Gasket	1
*33	1716515	Cover Plate	1
*34	1100241	Lockwasher 1/4	2
*35	1121507	Hex Nut 1/4-20	2
*36	1713455	Bearing Retainer	2
*37	1118804	Retaining Ring	2
*38	1706782	Bowed Washer	1
*39	1713423	Pivot Ball	1
*40	1106876	Capscrew 5/16-18 x 7/8	8
*41	1106832	Capscrew 1/4-20 x 5/8	2
*42	1716516	Shift Lever	1
43	1716477	Gear & Shaft	1
44	1100025	Retaining Ring	1
45	1714564	Adjusting Nut	1
46	1120129	Hex Nut 1-14 UNF	1
47	1714572	Spring Washer	4
48	1714562	Drive Cone	1
49	1104336	Sq. Key 1/4 x 1/4 x 1	2
50	1714561	Coupling	1
51	1713468	Thrust Washer	1
52	1185295	Oil Seal	1
53	1716507	Axle	1
54	1716511	Wheel Hub	1
55	1185643	Oil Seal	1
56	1185640	Thrust Race	2
57	1185641	Thrust Bearing	1
58	1185644	Bronze Bearing	1
59	1716498	Shim .0125"	As Req.
60	1716499	Shim .005"	As Req.

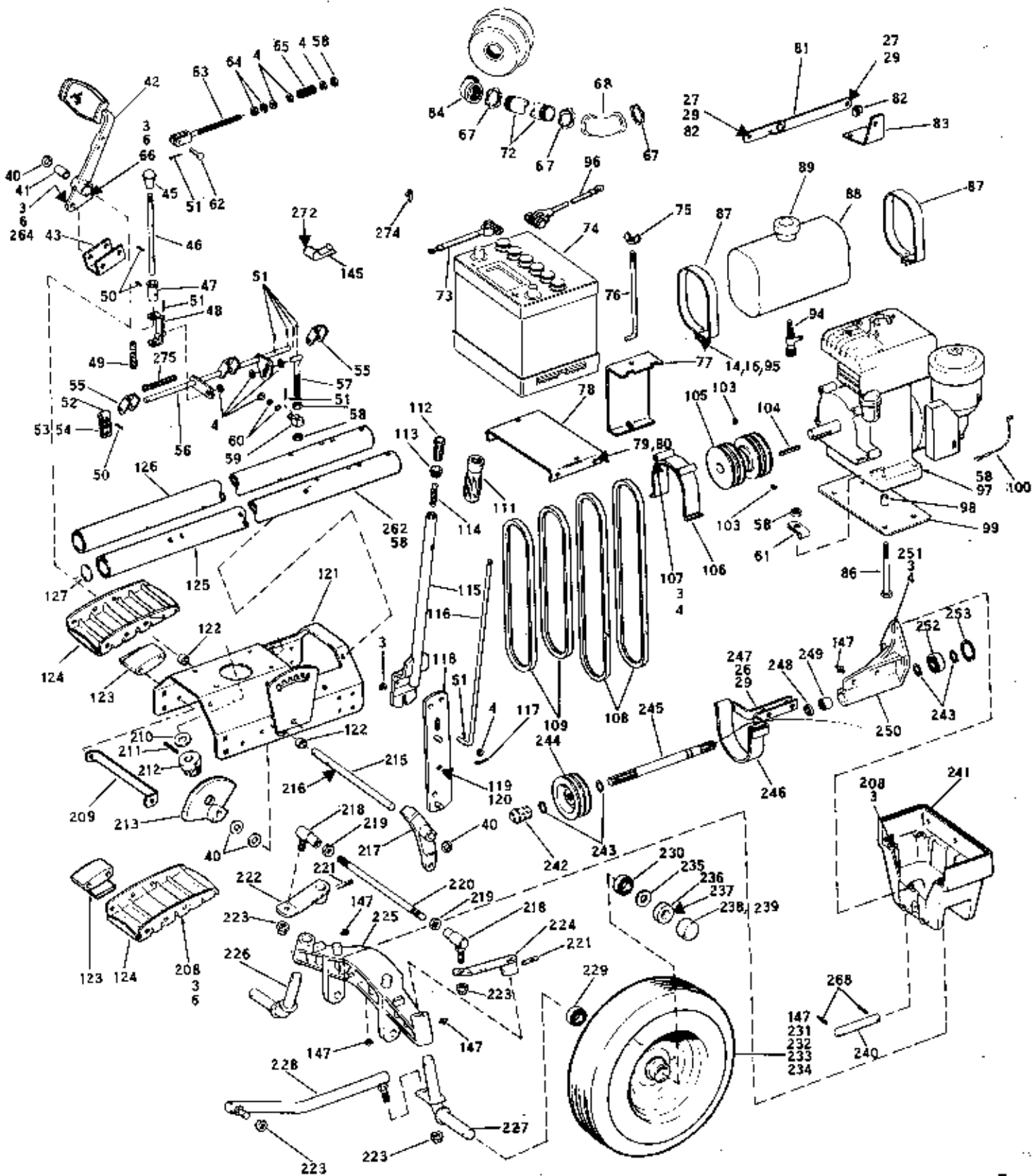
Ref. No.	Part No.	Description	No. Req'd.
61	1185638	Thrust Race	2
62	1185639	Thrust Bearing	1
63	1716501	Bevel Gear 22T	1
64	1713466	Bevel Pinion 10T	2
65	1185561	Retaining Ring	2
66	1713467	Pinion Shaft	2
67	1716513	Worm Wheel	1
68	1716689	Bevel Gear 22T	1
69	1716503	Drive Hub	1
70	1716519	Drive Screw	2
71	1716692	Locking Wire	1
72	1185645	Needle Bearing	1
73	1185642	Oil Seal	1
74	1716504	Thrust Washer	1
75	1704692	Roll Pin 1/8 x 1	5
76	1177388	O-Ring	3
77	1716489	Shifter Arm	3
78	1716514	Shifter Shaft	1
79	1703616	Bowed Washer	1
80	1716487	Shift Lever	1
81	1716530	Shaft	1
82	1100346	Cotter Pin 3/32 x 3/4	2
83	1713424	Shifter Shaft	2
84	1185201	Bearing Cone	1
85	1185202	Bearing Cup	1
86	1713408	Worm Shaft	1
87	1185275	Bearing Cone	1
88	1185276	Bearing Cup	1
89	1713439	Sliding Gear	1
90	1713409	Gear 38T	1
91	1185165	Needle Bearing	1
92	1891820	Oil Seal	1
93	1713597	Brake Drum	1
94	1185668	Retaining Ring	1
95	1716490	Gear 10T	1
96	1716495	Spacer	1
97	1185634	Ball Bearing	2
98	1712763	Washer	6
99	1185074	Needle Bearing	2
100	1700012	Retaining Ring	2
101	1185633	Oil Seal	1
102	1717125	Input Shaft	1
103	1113527	Retaining Ring	2
104	1716491	Gear 28T	1
105	1185535	Needle Bearing	1
106	1716480	Gear & Shaft	1
107	1716492	Splined Shaft	1
108	1118723	Retaining Ring	2
109	1104439	Ball Bearing	1
110	1118807	Retaining Ring	1
111	1200029	Expansion Plug	1
112	1707546	Flat Washer	2
113	1713412	Gear 28T	1
114	1185113	Bronze Bearing	1
115	1185360	O-Ring	1
116	1713419	Idler Shaft	1
117	1185232	Roll Pin 3/16 x 1-1/4	1
118	1703053	Square Key 1/4	1

\*Indicates Parts Not Included With Gear Case Assembly Part No. 1716736.

# TRACTOR ASSEMBLY MODEL 193-01



# TRACTOR ASSEMBLY MODEL 193-01



# TRACTOR ASSEMBLY MODEL 193-01

Ref. No.	Part No.	Description	No. Req'd
1	1717 355	Seat Pad	1
2	1717 352	Seat, Pan Assembly	1
3	1100 243	Lockwasher 3/8	36
4	1107 383	Flat Washer 3/8	21
5	1719 165	Cap	1
6	1121 509	Hex Nut 3/8-16	17
7	1719 164	Steering Wheel	1
8	1104 436	Woodruff Key 3/16 x 3/4	1
9	1713 122	Bowed Washer	4
10	1717 269	Steering Shaft	1
11	1717 263	Bearing	1
12	1717 259	Steering Support	1
13	1721 196	Rear Panel	1
14	1100 241	Lockwasher 1/4	12
15	1115 931	Phillips Screw 1/4-20 x 5/8	2
16	1121 507	Hex Nut 1/4-20	12
17	1721 021	Choke Assy (Inc 177)	1
18	1717 255	Ignition Switch (Inc 214)	1
19	1721 022	Throttle Control (Inc 178)	1
20	1717 256	Light Switch (Inc 176)	1
21	1714 146	Ammeter	1
22	1717 249	Instrument Panel	1
23	1717 599	Pad	1
24	1721 180	Hood and Grill Assembly W/Decals	1
25	1717 246	Hinge	1
26	1100 242	Lockwasher 5/16	28
27	1106 872	Capscrew 5/16-18 x 5/8	20
28	1107 392	Flat Washer 5/16	19
29	1182 563	Hex Nut 5/16-18	15
30	1720 396	Heat Shield	1
31	1185 746	Spring Clip	1
32	1115 935	Phillips Screw 1/4-20 x 3/4	1
33	1717 232	Latch	2
34	*	Headlight (GE4406)	2
35	1719 708	Retaining Ring	2
36	1717 394	Lead Wire, Headlight	1
37	1717 370	Lead Wire, Headlight	2
38	1717 369	Lead Wire, Headlight	1
39	1185 749	Rivet, Semi Tubular 3/16 x 7/8	6
40	1706 092	Washer	4
41	1185 682	Sleeve Bearing	1
42	1717 372	Clutch Pedal	1
43	1717 268	Lug	1
44	1106 923	Capscrew 3/8-16 x 1-1/4	6
45	1715 546	Knob	2
46	1716 717	Parking Brake Rod	1
47	1716 718	Parking Brake Stop	1
48	1716 716	Bracket Spring	1
49	1716 724	Spring	1
50	1703 066	Roll Pin 1/8 x 3/4	3
51	1100 346	Cotter Pin 3/32 x 3/4	11
52	1713 780	Brake Shoe Assembly (Inc 53 & 54)	1
53	1713 777	Lining Only	1
54	1185 570	Rivet	2
55	1713 772	Bracket, Brake Rod	2
56	1716 723	Brake Rod	1
57	1716 719	Brake Rod	1
58	1110 108	Lock Nut 3/8-16	16
59	1714 668	Pivot Block	1
60	1703 618	Bowed Washer	2
61	1892 754	Clip Regulator Lead	1
62	1112 587	Clevis Pin - 3/8	1
63	1716 582	Clutch Rod	1
64	1121 551	Lock Nut 3/8-16	2

Ref. No.	Part No.	Description	No. Req'd
65	1714 655	Spring	1
66	1117 713	Flat Screw 3/8-16 x 1	1
67	1721 036	Lock Nut 1" NPT	3
68	1105 070	Elbow 90°	1
69	1106 876	Capscrew 5/16-18 x 7/8	4
70	1106 878	Capscrew 5/16-18 x 1	4
71	1110 107	Lock Nut 5/16-18	3
72	1105 995	Muffler Pipe	1
73	1716 636	Lead Assembly BATT. (Ground)	1
74	1718 027	Battery 12 Volt -45 AMP	1
75	1709 652	Wing Nut 1/4-20	2
76	1718 108	Clamp Rod	2
77	1720 538	Clamp	2
78	1718 111	Carrier Battery	1
79	1118 378	Screw 5/16-18 x 1/2	4
80	1185 498	Speed Nut 5/16-18	4
81	1717 236	Hood Stop	1
82	1705 905	Bowed Washer	2
83	1717 244	Bracket	1
84	1105 071	Elbow 45°	1
85	1721 210	Lead Wire, Ammeter to Solenoid	1
86	1106 948	Capscrew 3/8-16 x 4 R.H. -R.	1
87	1714 685	Tank Strap	2
88	1714 767	Tank (Inc 89)	1
89	1714 766	Cap Only	1
90	1721 038	Connector - REG. to Ammeter Wire	1
91	1107 381	Flat Washer 1/4	4
92	1109 845	Nut #10-32	2
93	1100 240	Lockwasher #10	2
94	1718 029	Tank Outlet	1
95	1114 474	Fil. Screw 1/4-20 x 1-1/2	2
96	1719 190	Battery to Solenoid	1
97	1106 946	Capscrew 3/8-16 x 3-3/4	3
98	1714 648	Spacer	4
99	1713 394	Plate	1
100	1720 989	Lead Wire, IGN. Switch to Engine MAG. TERM.	1
101	1721 209	Lead Wire, Sol. to Starter	1
102	1721 018	Lead Wire, Light Switch to Headlight Wire	1
103	1103 470	Set Screw 5/16-18 x 1/2	2
104	1187 474	Sq. Key 1/4 x 2-1/4	1
105	1716 592	Engine Pulley	1
106	1716 642	Belt Guide	2
107	1106 936	Capscrew 3/8-16 x 2-1/2	2
108	1716 570	Belt 42-1/2" Matched Set of 2 PTO	1
109	1716 571	Belt 34" Matched Set of 2	1
110	1721 016	Lead Arm to Light Switch	1
111	1715 575	Grip Tool Lift	1
112	1714 644	Plunger Tool Lift	1
113	1714 233	Bushing Tool Lift	1
114	1713 075	Spring Tool Lift	1
115	1714 577	Tool Lift Lever	1
116	1714 645	Rod Tool Lift	1
117	1703 011	Spring Cotter	1
118	1714 575	Tool Lift	1
119	1107 035	Capscrew 1/2-13 x 2	1
120	1185 496	Jam Nut 1/2-13	1
121	1717 315	Mounting Plate	1
122	1185 558	Sleeve Bearing	2
123	1713 474	Spacer	2
124	1713 483	Foot Rest	2
125	1717 279	Frame Tube RH	1
126	1716 559	Frame Tube LH	1
127	1711 380	Expansion Plug	2

## TRACTOR ASSEMBLY MODEL 193-01 (CONT.)

Ref. No.	Part No.	Description	No. Req'd
128	1721 019	Lead Wire Ammeter to REG.	1
129	1721 017	Lead Wire REG. Ground	1
130	**	Rectifier Regulator	1
131	1721 016	Fuse 20 AMP	1
132	1716 584	Idle Pulley	2
133	1716 615	Control Shaft	1
134	1704 692	Roll Pin 1/8 x 1	4
135	1185 647	Bearing, Nylon	2
136	1716 590	Shaft Support	2
137	1107 385	Flar Washer 1/2	1
138	1106 930	Capscrew 3/8-16 x 1-3/4	10
139	1716 538	Flanged Bushing	2
140	1716 576	Idle Arm	1
141	1716 728	Spring Extension	1
142	1185 584	Cotter Pin 3/16 x 3/4	1
143	1890 284	Flat Washer 1/2	2
144	1714 642	Brace	1
145	1721 037	Wire Clamp	1
146	1185 456	Tinnerman Nut	2
147	1104 954	Grease Fitting	7
148	1706 782	Bowed Washer	1
149	1716 679	PTO Pivot (Inc 150)	1
150	1120 210	Roll Pin 3/16 x 1	1
151	1716 680	Spring	1
152	1713 391	Spring	1
153	1716 634	Control Lever PTO	1
154	1716 685	Grip, PTO	2
155	1717 581	"S" Clip	3
156	1713 415	Seat Support	1
157	1713 820	Fender Bracket	1
158	1717 597	Taillight Assembly (Inc 159 & 160)	1
159	*	Bulb (GE1869)	1
160	1718 234	Lens Only	1
161	1114 755	Screw #10-32 x 5/8	3
162	1718 020	Lead Wire, Taillight to Light Switch	1
163	1717 922	Lead Wire Ground	1
164	1713 472	Quadrant - PTO	1
165	1714 101	Hitch	1
166	1100 245	Lockwasher 1/2	2
167	1121 511	Hex Nut 1/2 x 13	2
168	1713 461	Mounting Cap	4
169	1716 585	Coupling Drive Shaft	1
170	1110 818	Set Screw 5/16-18 x 3/4	4
171	1716 561	Bonded Coupling	1
172	1717 243	Drive Shaft	1
173	1713 432	Drive Pin 3/16 x 1-1/4	1
174	1716 586	Clutch Stop	1
175	1716 638	Brake Bracket LH	1
176	1718 231	Light Switch Knob Only	1
177	1721 183	Choke Knob & Wire Only	1
178	1721 182	Throttle Knob & Wire Only	1
179	1717 240	Pulley Assembly (Inc 184)	1
180	1185 432	Thrust Race	1
181	1716 583	Spring	1
182	1716 596	Clutch Flange	1
183	1716 618	Brake Plate Assembly (Inc 184)	1
184	1716 599	Friction Disc Only	1
185	1713 167	Compression Spring	2
186	1714 666	Clutch Yoke	2
187	1219 00	Bowed Washer	AR
188	1110 202	Dowel Pin	2
189	1714 639	Bearing Retainer	1
190	1704 479	Ball Bearing	1
191	1118 526	Retaining Ring	1
192	1714 649	Spring	1
193	1714 665	Spacer	1

Ref. No.	Part No.	Description	No. Req'd
194	1716 599	Friction Disc	2
195	1714 664	Spacer	1
196	1714 656	Yoke Support	1
197	1106 874	Capscrew 5/16-18 x 3/4	6
198	1716 637	Brake Bracket RH	1
199	1185 471	Needle Bearing	2
200	1717 238	Spacer	1
201	1716 598	Clutch Flange	1
202	1717 293	Bearing Support	1
203	1185 588	Bearing Flange	2
204	1185 587	Self Aligning Bearing	1
205	1100 246	Lockwasher 9/16	1
206	1185 023	Flat Washer 9/16	1
207	1109 532	Hex Nut 9/16-18	1
208	1106 940	Capscrew 3/8-16 x 3	8
209	1713 397	Support Bar	1
210	1708 012	Flat Washer	1
211	1185 284	Drive Pin 1/4 x 2	1
212	1713 811	Steering Pinion	1
213	1713 809	Steering Gear	1
214	1718 266	Key Only	1
215	1714 640	Cross Shaft	1
216	1100 350	Cotter Pin 1/8 x 1	2
217	1716 563	Steering Arm	1
218	1713 361	Ball Joint	2
219	1103 926	Jam Nut 1/2-20	2
220	1713 385	Tie Rod	1
221	1891 696	Drive Pin 5/16 x 1-1/2	2
222	1713 377	Steering Lever LH	1
223	1110 152	Self Locking Nut 1/2-20	3
224	1713 378	Steering Lever RH	1
225	1716 697	Axle	1
226	1716 953	Spindle LH	1
227	1716 952	Spindle RH	1
228	1717 462	Drag Link	1
229	1185 616	Ball Bearing	2
230	1185 615	Ball Bearing	2
231	1715 855	Valve Stem Assembly	2
232	1715 789	Wheel Only, (Inc 231 & 147)	2
233	1717 441	Tire 16 x 6.50 x 8	2
234	1717 357	Wheel & Tire (229 thru 233)	2
235	1218 98	Washer	4
236	1716 197	Set Collar	2
237	1187 857	Capscrew 1/4-20 x 1	2
238	1715 898	Dust Cap, 1-1/2 I.D. (Some models)	2
239	1721 245	Dust Cap, 1-5/8 I.D. (Some models)	2
240	1713 383	Axle Pivot	1
241	1717 270	Axle Support	1
242	1714 132	Rubber Tip	2
243	1185 649	Retaining Ring	4
244	1716 594	Pulley PTO	1
245	1716 645	Shaft PTO	1
246	1716 647	Belt Guide PTO	1
247	1106 860	Capscrew 5/16-18 x 1-1/8	2
248	1185 224	Oil Seal	1
249	1185 010	Needle Bearing	1
250	1715 785	Support Housing	1
251	1106 921	Capscrew 3/8-16 x 1-1/8	3
252	1185 605	Ball Bearing	1
253	1118 730	Retaining Ring	1
254	1715 866	Wheel & Tire Assembly (Inc 255, 256, 257)	2
255	1715 787	Wheel Only	2
256	1715 856	Tubeless Tire 8 x 12	2
257	1716 011	Valve Stem Assembly	2
258	1010 85	Hub Bolt *	10
259	1704 930	Headlight Lead Clamp	1

\*Not stocked. Purchase from your local automotive or electrical supplier.

\*\*Not stocked. Purchase from your local Tecumseh Products Co., Lauson-Power Products Parts Outlet.

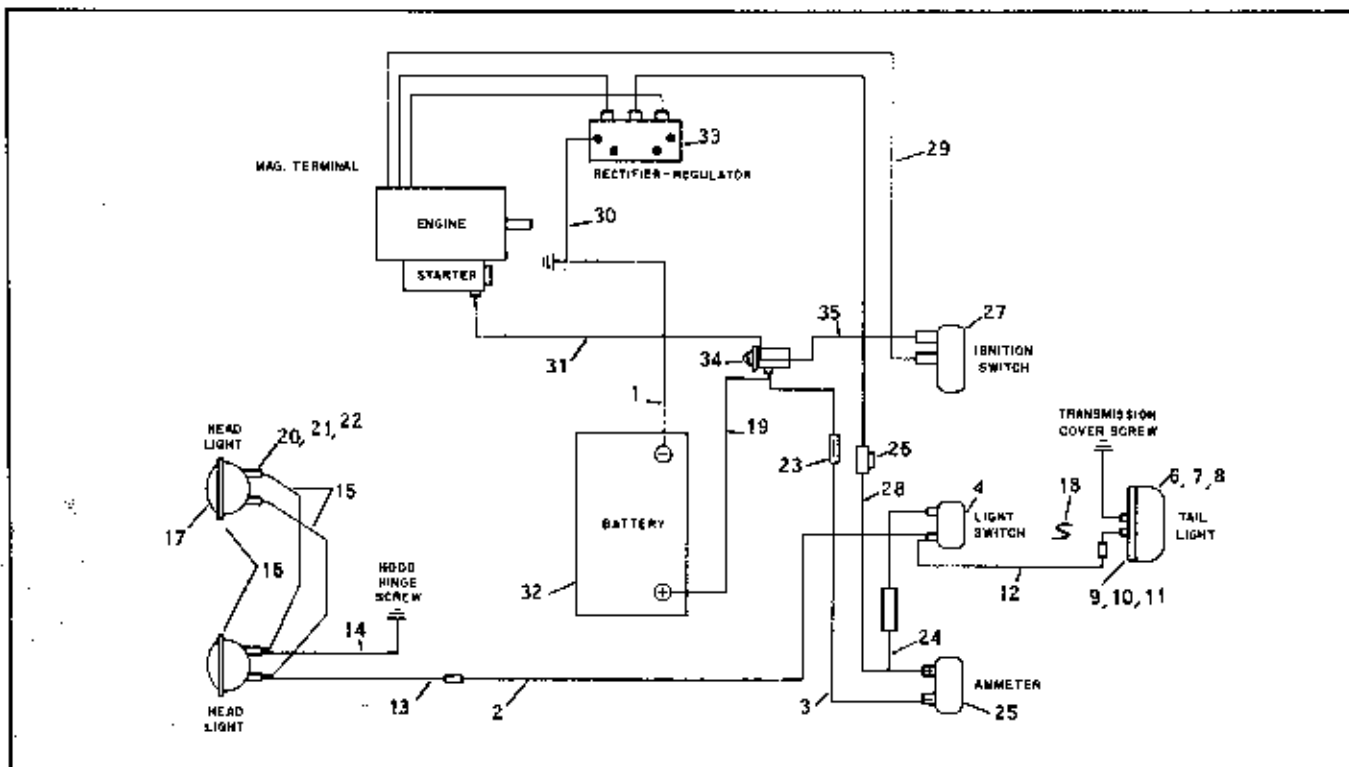
(CONT ON PAGE 8)

# TRACTOR ASSEMBLY MODEL 193-01 (CONT.)

Ref. No.	Part No.	Description	No. Req'd
260	1720 995	Heat Shield	1
261	1717 221	Fender	1
262	1106 938	Capscrew 3/8-16 x 2-3/4	7
263	1106 927	Capscrew 3/8-16 x 1-1/2	2
264	1106 919	Screw Flat Hd 3/8-16 x 1	1
265	1719 514	Open Tube Clip	2
266	1721 252	Wire Clip	1
267	1185 748	Wave Washer	6
268	1185 232	Drive Pin 3/16 x 1-1/4	2

Ref. No.	Part No.	Description	No. Req'd
269	1720 525	Moulding	1
270	1721 208	Lead Solenoid	1
271	1716 736	Gear Case Assembly	1
272	1106 830	Screw 1/4-20 x 1/2	2
273	1709 173	Solenoid	1
274	1719 512	Tie Band	1
275	1721 253	Torsion Spring	1
278	1103 995	Lockwasher	1

## DUAL LIGHT GROUP — WIRING DIAGRAM



Ref. No.	Part No.	Description	No. Req'd
1	1716 636	Lead Assembly (Ground)	1
2	1721 018	Lead Wire Switch to Headlight Wire	1
3	1721 210	Lead Wire Fused 20 AMP	1
4	1717 256	Light Switch	1
5	1717 922	Lead Wire (Tailight Ground)	1
6	1717 597	Tailight Assembly (Inc 7 & 8)	1
7	*	Bulb (GE1889)	1
8	1718 234	Lens Only	1
9	1100 240	Lockwasher #10	2
10	1109 845	Nut #10-32	2
11	1114 755	Screw #10-32 x 5/8	2
12	1718 020	Lead, Switch to Tailight	1
13	1717 369	Lead Headlight	1
14	1717 394	Lead Headlight	1
15	1717 370	Lead Headlight	1
16	1719 708	Retaining Ring	2
17	*	Headlight Bulb (GE4406)	2
	1717 581	"S" Clips	3

Ref. No.	Part No.	Description	No. Req'd
19	1719 190	Battery Lead	1
20	1185 746	Spring Clip	6
21	1185 749	Rivet, Semi Tubular 3/16 x 7/8	6
22	1185 748	Wave Washer	6
23	1720 076	Fuse 20 AMP	1
24	1721 016	Lead Arm to Light Switch	1
25	1714 146	Ammeter	1
26	1721 038	Connector, REG to Ammeter	1
27	1717 255	Ignition Switch	1
28	1721 019	Lead Wire, Ammeter to REG	1
29	1720 989	Lead Wire, IGN. Switch to Engine MAG. TERM.	1
30	1721 017	Lead Wire, REG Ground	1
31	1721 209	Lead Wire, IGN. Switch to Starter	1
32	1718 027	Battery 12 Volt -45 AMP	1
33	**	Rectifier Regulator	1
34	1709 173	Solenoid	1
35	1721 208	Lead Sol to Switch	1

\*Not stocked. Purchase from your local automotive or electrical supplier.

\*\*Not stocked. Purchase from your local Tecumseh Products Co, Lauson-Power Products Parts Outlet.