

BOLENS

**HUSKY
TRACTOR
MODEL 190-01**

**ILLUSTRATED
PARTS
CATALOG**



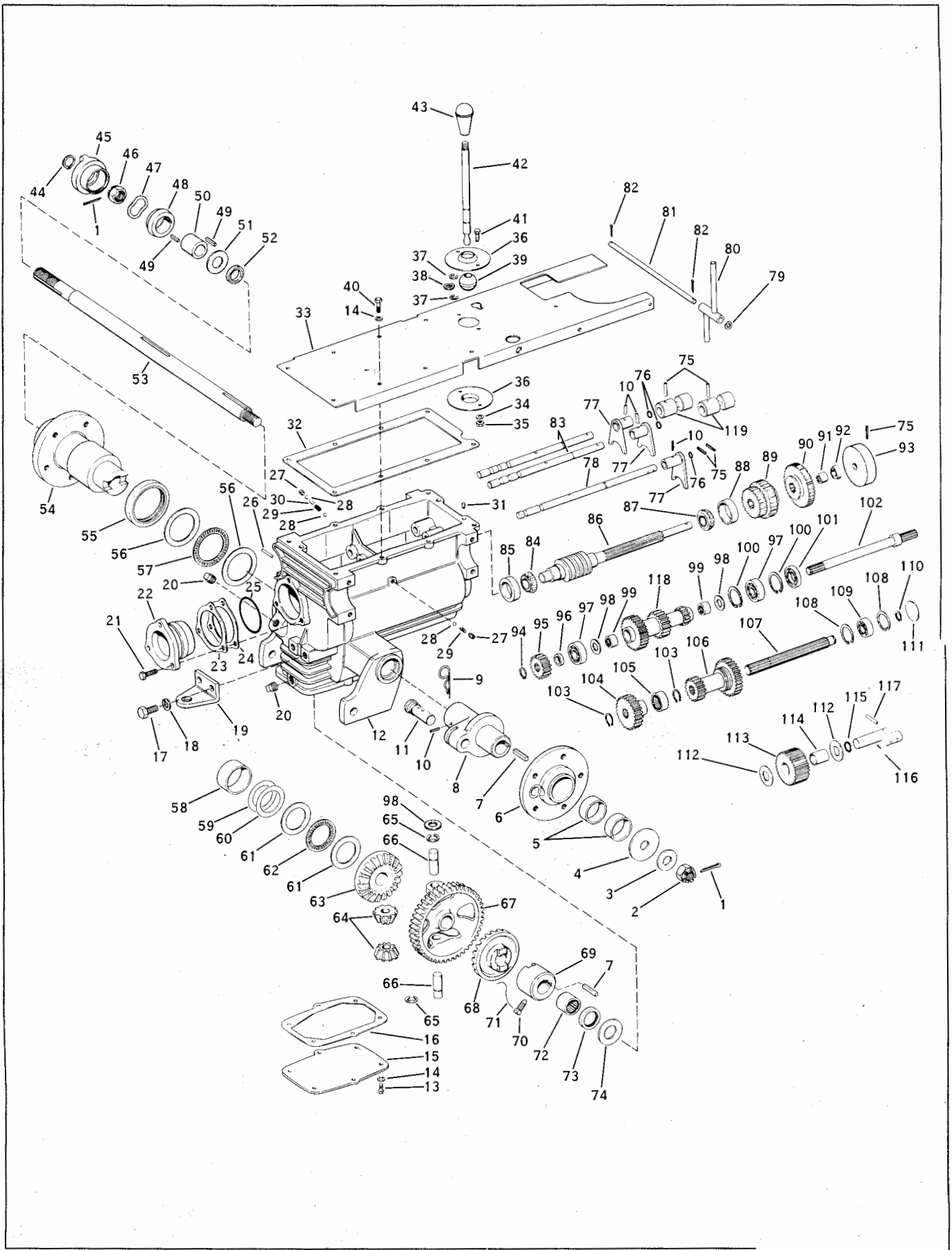
BOLENS DIVISION

PORT WASHINGTON, WISCONSIN
America's Finest Outdoor Power Equipment

PRINTED IN U.S.A.

FORM NO. P-551540

TRANSMISSION ASSEMBLY MODEL 190-01



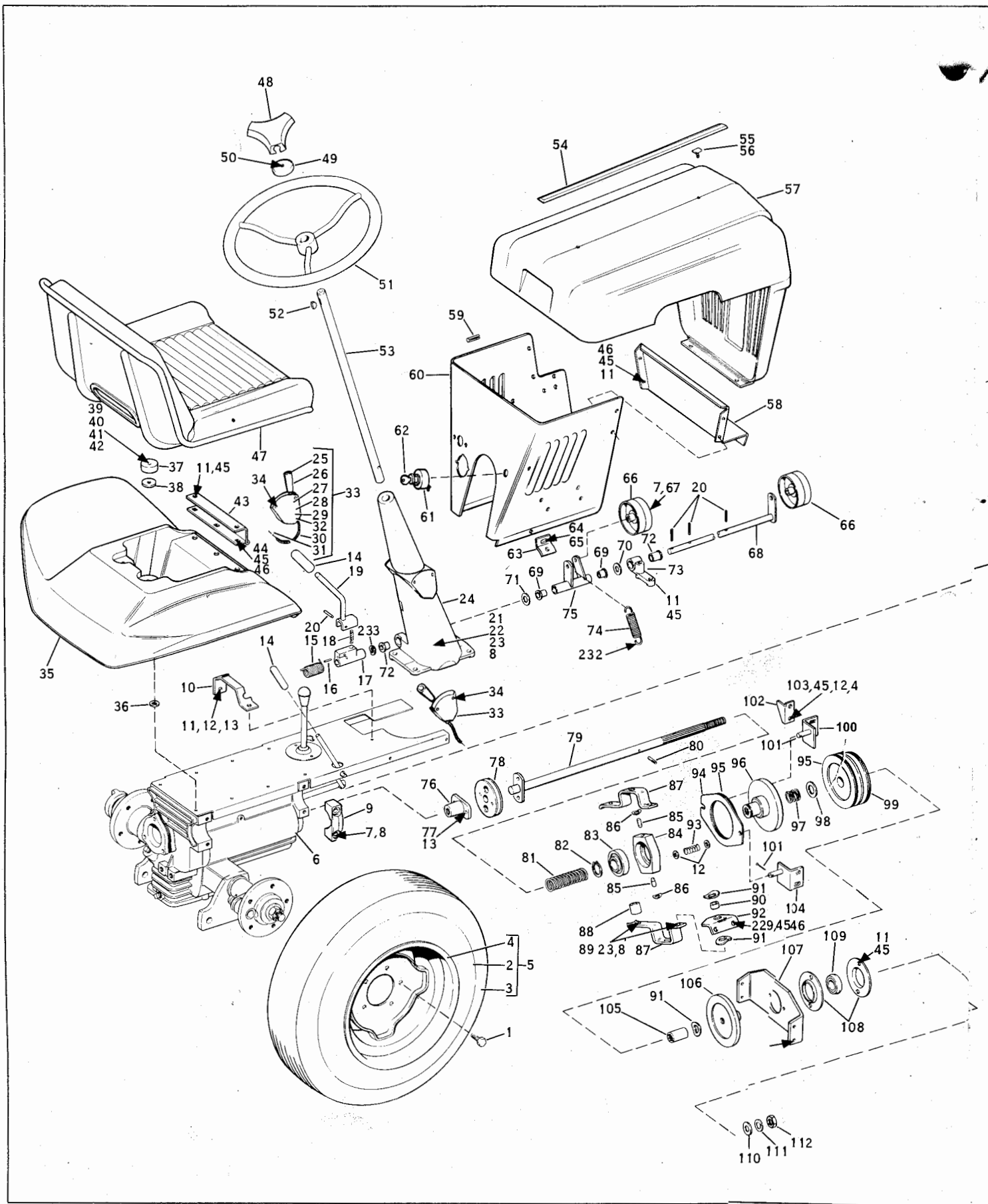
TRANSMISSION ASSEMBLY MODEL 190-01

Ref. No.	Part No.	Description	No. Req'd.
1	1100352	Cotter Pin 1/8 x 1-1/2	2
2	1109653	Hex Nut 3/4-16	1
3	1707410	Washer	1
4	1716502	Washer	1
5	1185646	Bronze Bearing	2
6	1716509	Hub	1
7	1104337	Sq. Key 1/4 x 1-1/2	2
8	1716506	Drive Collar	1
9	1185590	Hitch Pin	1
10	1703066	Roll Pin 1/8 x 3/4	4
11	1713426	Lock Pin	1
12	1716517	Gear Case	1
13	1106872	Capscrew 5/16-18 x 5/8	6
14	1100242	Lockwasher 5/16	14
15	1713428	Bottom Cover	1
16	1713427	Gasket	1
17	1106985	Capscrew 1/2-13 x 1	2
18	1100245	Lockwasher 1/2	2
19	1714101	Hitch	1
20	1105678	Plug 3/8 N. P. T.	2
21	1185637	Capscrew - Special	3
22	1716497	Bearing Cap	1
23	1716493	Shim .0125	As Req.
24	1716494	Shim .005	As Req.
25	1185636	O-Ring	1
26	1120209	Roll Pin 3/16 x 3/4	1
27	1185342	Set Screw	2
28	1713416	Ball	3
29	1713417	Spring	2
30	1713421	Pin	1
31	182682	Breather	1
32	1713429	Gasket	1
*33	1716515	Cover Plate	1
*34	1100241	Lockwasher 1/4	1
*35	1121507	Hex Nut 1/4-20	2
*36	1713455	Bearing Retainer	2
*37	1118804	Retaining Ring	2
*38	1706782	Bowed Washer	1
*39	1713423	Pivot Ball	1
*40	1106876	Capscrew 5/16-18 x 7/8	8
*41	1106832	Capscrew 1/4-20 x 5/8	2
*42	1716518	Shift Lever	1
*43	1715546	Knob	1
44	1180025	Retaining Ring	1
45	1714564	Adjusting Nut	1
46	1120129	Hex Nut 1-14	1
47	1714572	Spring Washer	4
48	1714562	Drive Cone	1
49	1104336	Sq. Key 1/4 x 1	2
50	1714561	Coupling	1
51	1713468	Washer	1
52	1185295	Oil Seal	1
53	1716507	Axle	1
54	1716511	Wheel Hub	1
55	1185643	Oil Seal	1
56	1185640	Thrust Race	2
57	1185641	Thrust Bearing	1
58	1185644	Bronze Bearing	1
59	1716498	Shim .0125"	As Req.
60	1716499	Shim .005"	As Req.

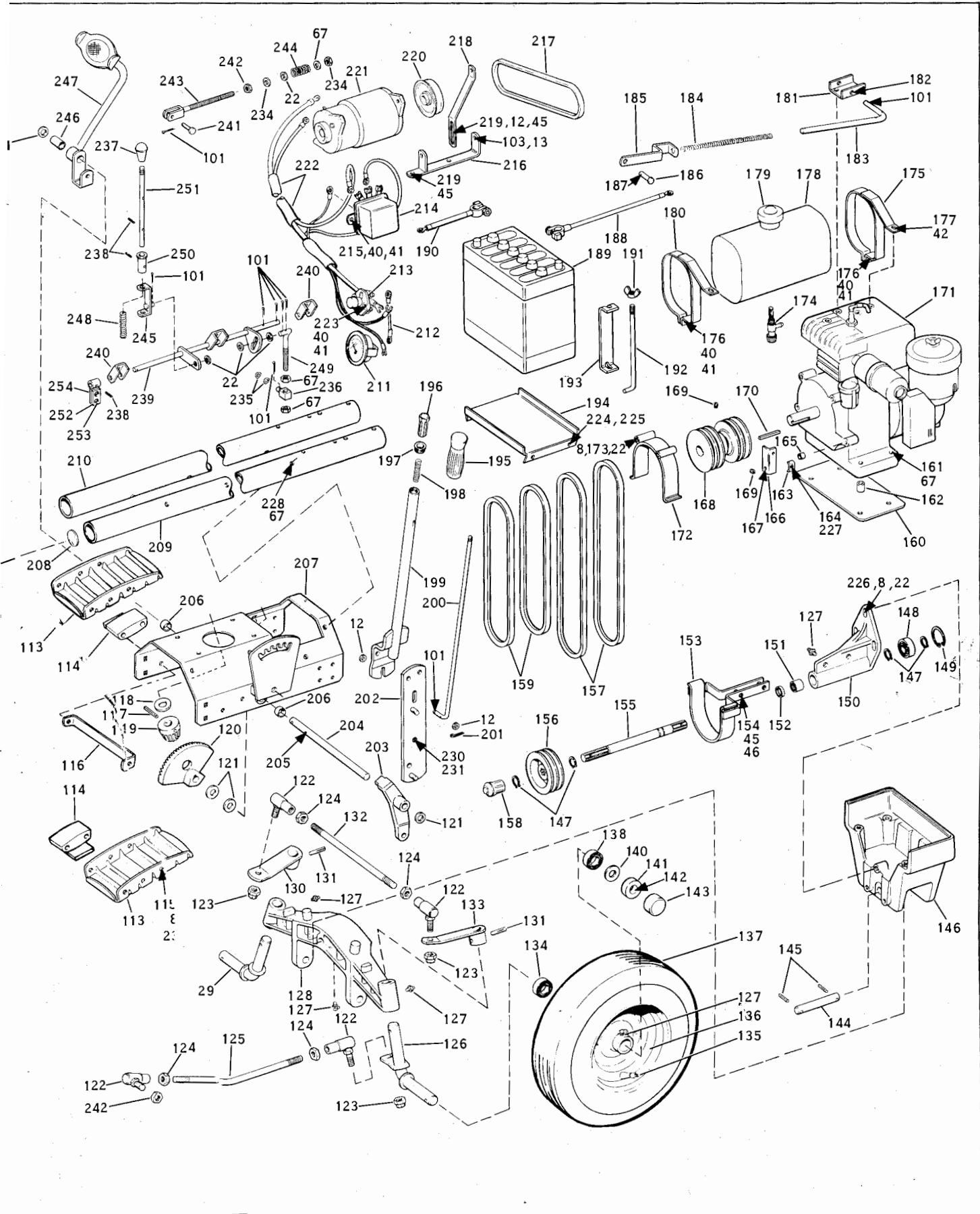
Ref. No.	Part No.	Description	No. Req'd.
61	1185638	Thrust Race	2
62	1185639	Thrust Bearing	1
63	1716501	Bevel Gear 22T	1
64	1713466	Bevel Pinion 10T	2
65	1185561	Retaining Ring	2
66	1713467	Pinion Shaft	2
67	1716513	Worm Wheel	1
68	1716689	Bevel Gear 22T	1
69	1716503	Drive Hub	1
70	1716519	Drive Screw	2
71	1716692	Locking Wire	1
72	1185645	Needle Bearing	1
73	1185642	Oil Seal	1
74	1716504	Washer	1
75	1704692	Roll Pin 1/8 x 1	5
76	1177388	O-Ring	3
77	1716489	Shifter Arm	3
78	1716514	Shifter Shaft	1
79	1703616	Bowed Washer	1
80	1716487	Shift Lever	1
81	1716530	Shaft	1
82	1100346	Cotter Pin 3/32 x 3/4	2
83	1713424	Shifter Shaft	2
84	1185201	Bearing Cone	1
85	1185202	Bearing Cup	1
86	1713408	Worm Shaft	1
87	1185275	Bearing Cone	1
88	1185276	Bearing Cup	1
89	1713439	Sliding Gear	1
90	1713409	Gear 38T	1
91	1185165	Needle Bearing	1
92	1891820	Oil Seal	1
93	1713597	Brake Drum	1
94	1118808	Retaining Ring	1
95	1716490	Gear 19T	1
96	1716495	Spacer	1
97	1185634	Ball Bearing	2
98	1712763	Washer	6
99	1185074	Needle Bearing	2
100	1700012	Retaining Ring	2
101	1185633	Oil Seal	1
102	1716483	Input Shaft	1
103	1113527	Retaining Ring	2
104	1716491	Gear 28T	1
105	1185635	Needle Bearing	1
106	1716480	Gear & Shaft	1
107	1716492	Splined Shaft	1
108	1118723	Retaining Ring	2
109	1104439	Ball Bearing	1
110	1118807	Retaining Ring	1
111	1200029	Expansion Plug	1
112	1707546	Washer	2
113	1713412	Gear 28T	1
114	1185113	Bronze Bearing	1
115	1185360	O-Ring	1
116	1713419	Idler Shaft	1
117	1185232	Roll Pin 3/16 x 1-1/4	1
118	1716477	Gear & Shaft	1
119	1713422	Connector	2

*Indicates Parts Not Included With Gear Case Assembly Part No. 1716736.

TRACTOR ASSEMBLY MODEL 190-01



TRACTOR ASSEMBLY MODEL 190-01



TRACTOR ASSEMBLY MODEL 190-01

Ref. No.	Part No.	Description	No. Req'd.
1	101085	Wheel Bolt	10
2	1715787	Wheel Only	2
3	1715856	Tubeless Tire 8 x 12	2
4	1716011	Valve Stem Assy	2
5	1715866	Wheel & Tire Assy	2
6	1716736	Transmission Assy	1
7	1106930	Capscrew 3/8-16 x 1-3/4	10
8	1100243	Lockwasher 3/8	21
9	1713461	Mounting Cap	4
10	1713472	Quadrant	1
11	1106872	Capscrew 5/16-18 x 5/8	15
12	1107382	Flat Washer 5/16	14
13	1110107	Lock Nut 5/16-18	8
14	1715685	Grip	2
15	1715680	Spring	1
16	1120210	Roll Pin 3/16 x 1	1
17	1716239	Pivot (Inc. 16)	1
18	1713391	Spring	1
19	1716634	Control Lever	1
20	1704692	Roll Pin 1/8 x 1	4
21	1106923	Capscrew 3/8-16 x 1-1/4	6
22	1107383	Flat Washer 3/8	9
23	1121509	Hex Nut 3/8-16	14
24	1713628	Steering Support	1
25	1715794	Knob	2
26	1716437	Lever	2
27	1716442	Fibre Washer	2
28	1716443	Lever Screw	2
29	1716368	Wire Wiper	2
30	1715572	Wire Housing Only	2
31	1715573	Wire Only	2
32	1716438	Cover	2
33	1715729	Control Assy (25 thru 32)	2
34	1100135	Mach. Screw 10-24 x 1	4
35	1716199	Rear Fender	1
36	1100255	Flat Washer	4
37	1715467	Snubber	2
38	1713532	Flat Washer	2
39	1100122	Mach. Screw 1/4-20 x 1	2
40	1121507	Hex Nut 1/4-20	8
41	1100241	Lockwasher 1/4	8
42	1107381	Flat Washer 1/4	5
43	1716669	Hinge	1
44	1111265	Carr. Bolt 5/16-18 x 3/4	3
45	1100242	Lockwasher 5/16	26
46	1182563	Hex Nut 5/16-18	15
47	1716657	Seat	1
48	1716232	Steering Wheel Cap	1
49	1716233	Washer	1
50	1185622	Mach. Screw 1/4-20 x 1/2	1
51	1712906	Steering Wheel	1
52	1100276	Woodruff Key 1/4 x 7/8	1
53	1713386	Steering Shaft	1
54	1714875	Moulding Strip	1
55	1185599	Screw	2
56	1185600	Nut	2
57	1716628	Hood & Grill	1
58	1716621	Heat Shield	1
59	1185400	Roll Pin 5/16 x 1-1/4	2
60	1716629	Rear Panel	1
61	1713255	Ignition Switch (Inc. 62)	1
62	1715055	Key Only	1
63	1714642	Brace	2
64	1110685	Mach. Screw 1/4-20 x 5/8	2
65	1185456	Tinnerman Nut	2

Ref. No.	Part No.	Description	No. Req'd.
66	1716584	Idler Pulley	2
67	1110108	Lock Nut 3/8-16	14
68	1716615	Control Shaft	1
69	1715538	Flanged Bushing	2
70	1107385	Flat Washer 1/2	1
71	1890234	Flat Washer	1
72	1185647	Bearing	2
73	1716590	Shaft Support	1
74	1716728	Spring	1
75	1716576	Idler Arm	1
76	1716585	Coupling	1
77	1110818	Set Screw 5/16-18 x 3/4	4
78	1716561	Bonded Coupling	1
79	1716612	Drive Shaft	1
80	1713432	Drive Pin 3/16 x 1-1/4	1
81	1714649	Spring	1
82	1113526	Retaining Ring	1
83	1704479	Ball Bearing	1
84	1714639	Bearing Retainer	1
85	1110202	Dowel Pin	2
86	121900	Bowed Washer	As Req.
87	1714666	Clutch Yoke	2
88	1714665	Spacer	1
89	1106927	Capscrew 3/8-16 x 1-1/2	2
90	1714664	Spacer	1
91	1713122	Bowed Washer	3
92	1714656	Yoke Support	1
93	1713167	Spring	2
94	1716618	Brake Plate Assy (Inc. 95)	1
95	1716599	Friction Disc Only	3
96	1716596	Clutch Flange	1
97	1716583	Spring	1
98	1185432	Thrust Race	1
99	1716607	Pulley Assy (Inc. 95)	1
100	1716638	Brake Bracket - L. H.	1
101	1100346	Cotter Pin 3/32 x 3/4	14
102	1716586	Clutch Stop	1
103	1106878	Capscrew 5/16-18 x 1	6
104	1716637	Brake Bracket - R. H.	1
105	1716616	Bushing	1
106	1716598	Clutch Flange	1
107	1716608	Bearing Support	1
108	1185588	Bearing Flange	2
109	1185587	Self Aligning Bearing	1
110	1185023	Flat Washer 9/16	1
111	1100246	Lockwasher 9/16	1
112	1109532	Hex Nut 9/16-18	1
113	1713438	Foot Rest	2
114	1713472	Spacer	2
115	1106940	Capscrew 3/8-16 x 3	8
116	1713397	Support	1
117	1185284	Roll Pin 1/4 x 2	1
118	1708012	Flat Washer	1
119	1713811	Steering Pinion	1
120	1713809	Steering Gear	1
121	1705092	Washer	3
122	1713361	Ball Joint	4
123	1110152	Lock Nut 1/2-20	3
124	1103926	Jam Nut 1/2-20	4
125	1714547	Drag Link	1
126	1716082	Spindle - R. H.	1
127	1104954	Grease Fitting	6
128	1713480	Axle	1
129	1716081	Spindle - L. H.	1
130	1713377	Steering Lever L. H.	1

TRACTOR ASSEMBLY MODEL 190-01 (CONT)

Ref. No.	Part No.	Description	No. Req'd.
131	1891696	Drive Pin 5/16 x 1-1/2	2
132	1713385	Tie Rod	1
133	1713378	Steering Lever - R. H.	1
134	1185615	Ball Bearing	2
135	1715855	Valve Stem Assy	2
136	1715864	Wheel Only	2
137	1715865	Tubeless Tire 6:50 x 8	2
138	1185616	Ball Bearing	2
139	1715788	Wheel & Tire Assy (134 thru 138)	2
140	121898	Washer	6
141	1716197	Set Collar	2
142	1187857	Set Screw 1/4-20 x 1	2
143	1715899	Dust Cover	2
144	1713383	Axle Pivot	1
145	1185232	Roll Pin 3/16 x 1-1/4	2
146	1713482	Axle Support	1
147	1113527	Retaining Ring	4
148	1185605	Ball Bearing	1
149	1118730	Retaining Ring	1
150	1715785	Support Housing	1
151	1185010	Needle Bearing	1
152	1185224	Oil Seal	1
153	1716647	Belt Guide	1
154	1106880	Capscrew 5/16-18 x 1-1/8	2
155	1716645	Shaft	1
156	1716594	Pulley	1
157	1716570	Belt - 42-1/2" (Matched Set of 2)	1
158	1714132	Rubber Tip	2
159	1716571	Belt - 34" (Matched set of 2)	1
160	1713394	Plate	1
161	1106946	Capscrew 3/8-16 x 3-3/4	4
162	1714648	Spacer	4
163	1713801	Clamp	1
164	1114755	Mach. Screw 10-32 x 5/8	1
165	1714721	Spacer	1
166	1716679	Bracket	1
167	1106852	Capscrew 1/4-20 x 2	1
168	1716592	Engine Pulley	1
169	1103470	Set Screw 5/16-18 x 1/2	2
170	1187474	Sq. Key 1/4 x 2-1/4	1
*171		Engine	1
172	1716642	Belt Guide	1
173	1106936	Capscrew 3/8-16 x 2-1/2	2
174	1713396	Tank Outlet	1
175	1714637	Tank Strap	1
176	1114474	Fil. Screw 1/4-20 x 1-1/2	2
177	1106832	Capscrew 1/4-20 x 5/8	1
178	1714767	Gas Tank (Inc. 179)	1
179	1714766	Cap Only	1
180	1714685	Tank Strap	1
181	1714641	Bracket	1
182	1103204	Capscrew - H. T.	3
183	1714640	Rod	1
184	1713791	Spring	1
185	1713808	Bracket	1
186	1705810	Clevis Pin	1
187	1100349	Cotter Pin 1/8 x 3/4	1
188	1716635	Lead Assy	1
189	1716630	Battery	1
190	1716636	Lead Assy (Ground)	1
191	1110024	Wing Nut 3/8-16	2

Ref. No.	Part No.	Description	No. Req'd.
192	1716623	Clamp Rod	2
193	1716678	Battery Clamp	2
194	1716624	Battery Carrier	1
195	1715575	Grip	1
196	1714644	Plunger	1
197	1714233	Bushing	1
198	1713075	Spring	1
199	1714577	Lift Lever	1
200	1714645	Rod	1
201	1703011	Spring Cotter	1
202	1714575	Tool Lift	1
203	1716563	Steering Arm	1
204	1714840	Cross Shaft	1
205	1100350	Cotter pin 1/8 x 1	2
206	1185558	Sleeve Bearing	2
207	1716587	Mounting Plate	1
208	1711380	Expansion Plug	2
209	1716560	Frame Tube - R. H.	1
210	1716559	Frame Tube - L. H.	1
211	1714146	Ammeter	1
212	1714717	Wire (Switch to Ammeter)	1
213	1713595	Starter Switch	1
214	1708287	Voltage Regulator	1
215	1106830	Capscrew 1/4-20 x 1/2	2
216	1716315	Generator Support	1
217	1714690	Generator Belt 31 31/32"	1
218	1714688	Adjusting Strap	1
219	1106876	Capscrew 5/16-18 x 7/8	3
220	1708293	Pulley	1
221	1716169	Starter - Generator	1
222	1716660	Wiring Assy	1
223	1106834	Capscrew 1/4-20 x 3/4	2
224	1118378	Mach. Screw 5/16-18 x 1/2	4
225	1185498	Speed Nut 5/16-18	4
226	1106921	Capscrew 3/8-16 x 1-1/8	3
227	1100240	Lockwasher #10	1
228	1106938	Capscrew 3/8-16 x 2-3/4	7
229	1106874	Capscrew 5/16-18 x 3/4	2
230	1107035	Capscrew 1/2-13 x 2	1
231	1185496	Jam Nut 1/2-13	1
232	1185584	Cotter Pin 3/16 x 3/4	1
233	1706782	Bowed Washer	1
234	1121551	Jam Nut 3/8-16	2
235	1703616	Bowed Washer	2
236	1714663	Pivot Block	1
237	1715546	Knob	1
238	1703066	Roll Pin 1/8 x 3/4	3
239	1716723	Brake Rod	1
240	1713772	Bracket	2
241	1112587	Clevis Pin	1
242	1110152	Lock Nut 1/2-20	1
243	1716582	Clutch Rod	1
244	1714655	Spring	1
245	1716716	Bracket	1
246	1185582	Sleeve Bearing	1
247	1716610	Clutch Pedal	1
248	1716724	Spring	1
249	1716719	Brake Rod	1
250	1716718	Brake Stop	1
251	1716717	Brake Rod	1
252	1713777	Lining Only	1
253	1185570	Rivet	2
254	1713780	Brake Shoe Assy (Incl 252 & 253)	1

*Engine Parts Must Be Obtained Through Manufacturer's Authorized Service Stations.