

Installation Instructions

HYDRAULIC LIFT KIT

MODEL NO. 18703-05

DESCRIPTION

This Hydraulic Lift Kit is designed to give the ease of power control over attachments on tractors not equipped in this manner. This unit is completely self-contained with its own hydraulic pump, control valve, relief valve, and oil reservoir connected to a lift cylinder with two high pressure hydraulic hoses.

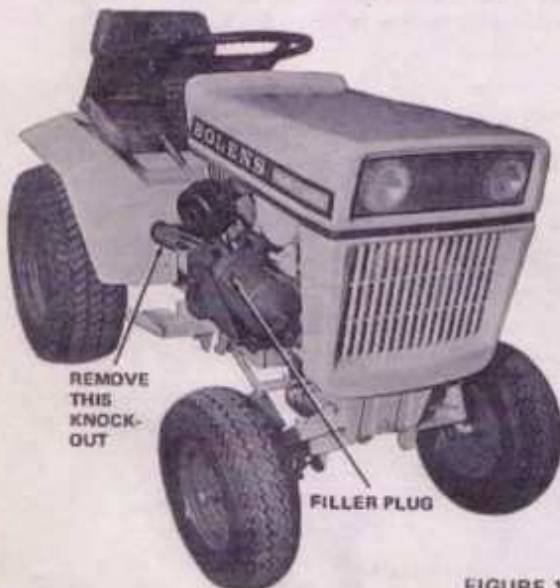


FIGURE 1

ASSEMBLY

This lift kit can be mounted on any of the Husky middle frame tractors not normally equipped with a hydraulic attachment lift. The four spacers (No. 171-6729) must be positioned between the mounting bracket (No. 171-4771) and the pump assembly when installing unit on the Model 188 and 189 tractors to allow the pump to be moved forward. When installing this kit on the other models of Husky middle frame tractors, the spacers should be placed beneath the bolt heads to maintain the same bolt length.

(1) Remove the tool lift plunger, lift handle and lift rod from tractor implement lift.

(2) Remove the four front capscrews from the tractor gear case cover.

NOTE: When installing this kit on a Model 1053 or 1253 Husky tractor, the rear fender and seat assembly must be removed to facilitate the mounting. While the fender is off of the tractor, punch out the knockout in the front skirt on the right hand of the fender. (See Figure 1.) This is necessary to provide clearance for the hydraulic cylinder. Position bracket (No. 171-4790) Figure 2 over gear case cover and secure with gear case cover capscrews.

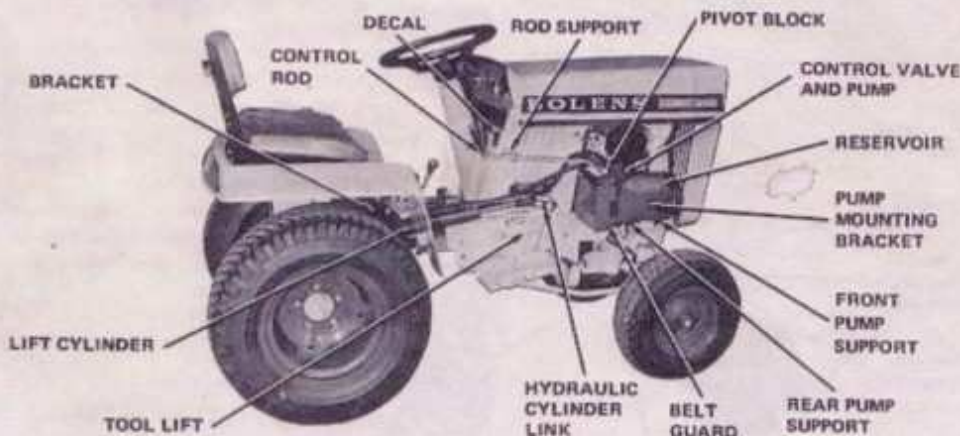


FIGURE 2



BOLENS

FORM NO. 552146

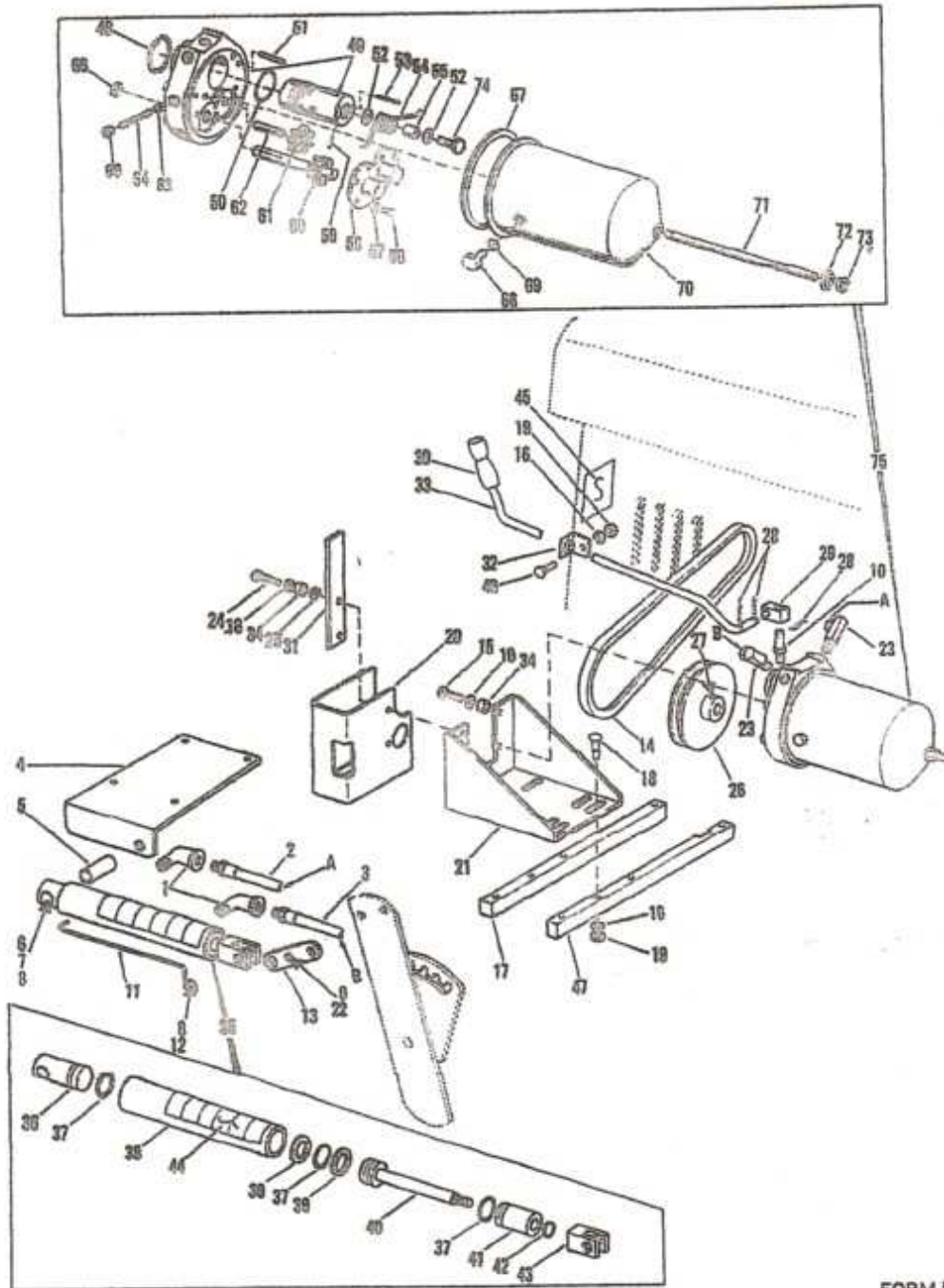
PORT WASHINGTON, WISCONSIN, U.S.A.

PRINTED IN U.S.A.

12-69

ILLUSTRATED PARTS LIST

BOLENS
HYDRAULIC LIFT KIT
MODELS 18703-04
18703-05
18703-06



FORM NO. P-552189
2/70

SEE ALSO FORM NO. P-551730 AND P-552146

HYDRAULIC LIFT KIT MODELS 18703-04 - 18703-05 - 18703-06

Ref. No.	Part No.	Description	No. Req'd
1	1105 019	Elbow	2
2	1718 107	Hose 25"	1
3	1718 106	Hose 22"	1
4	1714 790	Mounting Bracket	1
5	1714 783	Spacer	1
6	1107 385	Washer 1/2"	1
7	1107 041	Capscrew 1/2 - 13 x 2-3/4	1
8	1110 110	Lock Nut 1/2 - 13	2
9	1103 995	Star Washer	2
10	1714 784	Stud	1
11	1714 820	Lift Indicator	1
12	1106 989	Capscrew 1/2 - 13 x 1-1/2	1
13	1714 780	Lever Link	1
14	1108 484	Drive Belt 31"	1
15	1106 876	Capscrew 5/16 - 18 x 7/8	2
16	1100 242	Lock Washer 5/16	9
17	1714 789	Pump Support	1
18	1111 287	Carriage Bolt 5/16 - 18 x 1-1/4	4
19	1103 839	Hex Nut 5/16 - 18"	5
20	1714 774	Belt Guard	1
21	1722 473	Mounting Bracket	1
22	1107 383	Flat Washer 3/8"	2
23	1714 779	Adaptor	2
24	1106 880	Capscrew 5/16 - 18 x 1-1/8"	2
25	1107 382	Flat Washer 5/16"	1
26	1714 792	Pump Pulley	1
27	1103 466	Set Screw 5/16 - 18 x 3/8"	1
28	1100 346	Cotter Pin 3/32 x 3/4	3
29	1714 782	Swivel Block	1
30	1715 644	Grip	1
31	1714 777	Rod Support	1
32	1714 776	Rod Support Bracket	1
33	1714 791	Control Rod	1
34	1716 729	Spacer	4
35	1714 788	Hydraulic Cylinder Assy (Inc. Ref #36 thru #43)	1
36	1721 625	Head	1
37	1721 626	"O" Ring	3
38	1721 627	Tube	1

Ref. No.	Part No.	Description	No. Req'd
39	1721 628	Washer	2
40	1721 629	Piston Rod Assy	1
41	1721 630	Guide	1
42	1721 631	"O" Ring	1
43	1721 632	Clevis	1
44	1714 819	Decal (Lift Position)	1
45	1714 803	Decal (Hydraulic Lift)	1
46	1106 870	Capscrew 5/16 - 18 x 1/2	1
47	1722 345	Pump Support	1
48	1722 036	Snap Ring	1
49	*	Body and Spool Valve	
50	1722 037	"O" Ring	1
51	1177 158	Roll Pin	2
52	1107 382	Washer 5/16 x 11/16	2
53	1185 874	Roll Pin	2
54	1722 021	Return Spring	1
55	1722 022	Spring Sleeve	1
56	1114 850	Screw 10 - 32 x 1/2 Fill. Hd.	6
57	1100 240	Lock Washer	6
58	1722 023	Cover	1
59	1185 598	Roll Pin	2
60	1722 025	Drive Gear and Shaft Assy	1
61	1722 028	Idler Gear	1
62	1722 027	Idler Shaft	1
63	1722 028	Relief Ball	1
64	1722 029	Relief Spring	1
65	1722 030	Relief Plug	1
66	1722 038	Oil Seal	1
67	1722 039	Gasket	1
68	1722 031	Filler Plug	1
69	1722 032	Fiber Washer	1
70	1722 033	Reservoir	1
71	1722 034	Stud	1
72	1722 035	Comb. Washer	1
73	1108 887	Jam Nut 3/8 - 16	1
74	1106 880	Capscrew 5/16-18 x 1-1/8"	1
75	1714 781	Hydraulic Power Unit Assy (Inc. #48 thru #74)	1

*NOTE - Spool and body only, are not available as service parts. If spool or body becomes worn or damaged, it is recommended that the hydraulic power unit assy (Ref. #75) be replaced.



BOLEENS

PORT WASHINGTON, WISCONSIN, U.S.A.

PRINTED IN U.S.A.

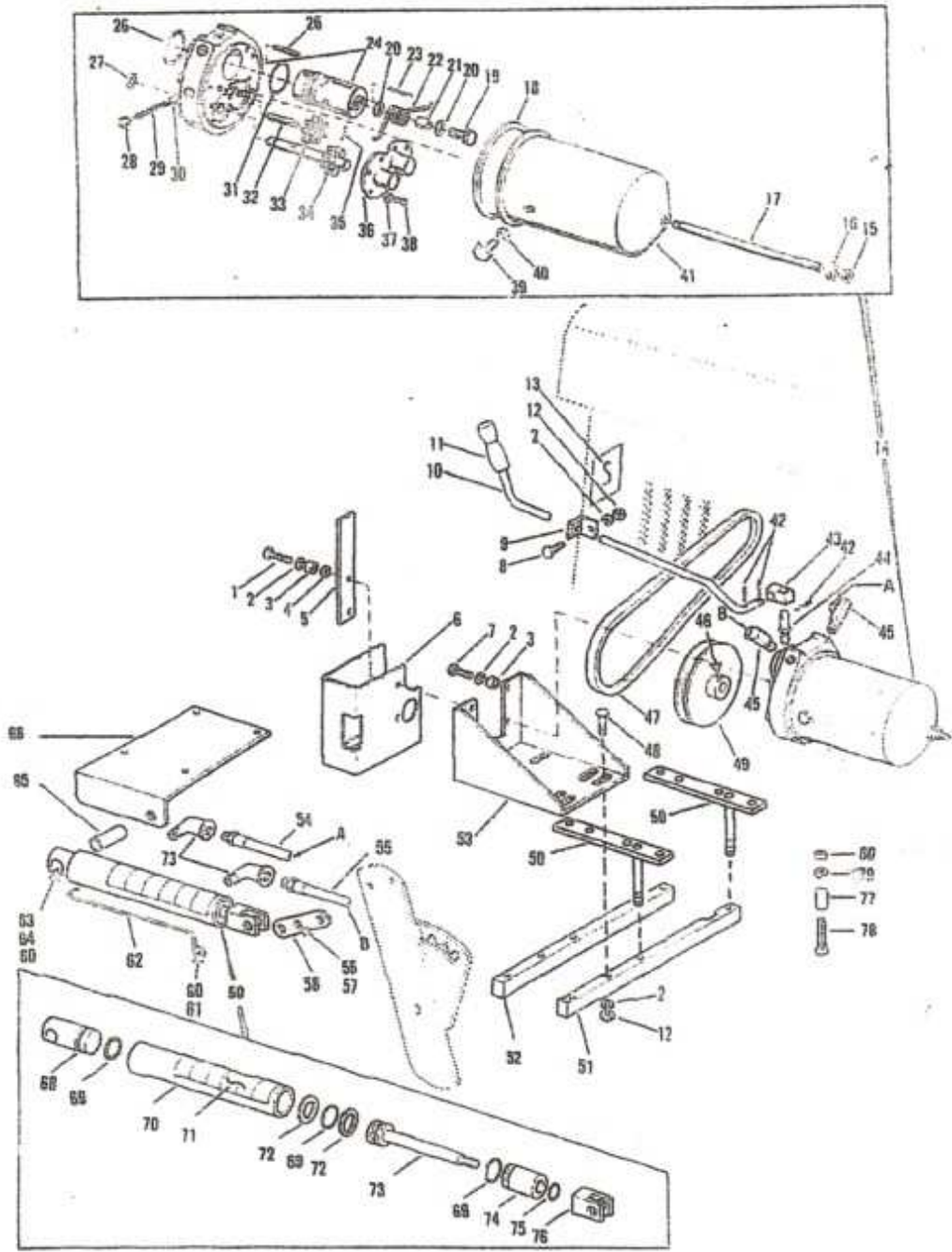
FORM NO. P-552189

2/70

REPLACES FORM NO. P-551730 AND P-552146

FMC
 FMC BOLENS
 FMC

HYDRAULIC
 LIFT KIT
 PARTS LIST
 MODEL 18709





BOLENS HYDRAULIC LIFT KIT

MODEL 18709

REF. NO.	PART NO.	DESCRIPTION	NO. REQ'D.	REF. NO.	PART NO.	DESCRIPTION	NO. REQ'D.
1	1100045	Capscrew, 5/16 - 18 x 1	2	42	1100346	Cotter Pin, 3/32 x 3/4	3
2	1100242	Lockwasher, 5/16	9	43	1731433	Swivel Block	1
3	1716729	Spacer	4	44	1714784	Stud	1
4	1107382	Flat Washer	1	46	1714779	Adaptor	2
5	1714777	Rod-Support	1	46	1103466	Set Screw, 5/16 - 18 x 3/8	1
6	1714774	Belt Guard	1	47	1714690	Drive Belt, 31	1
7	1100078	Capscrew, 5/16 - 18 x 7/8	2	48	1111267	Carriage Bolt, 5/16 - 18 x 1-1/4	4
8	1100088	Capscrew, 5/16 - 18 x 1/2	1	49	1714792	Pump Pulley	1
9	1714776	Rod Support Bracket	1	50	1732136	Mount Assembly	2
10	1714791	Control Rod	1	51	1722345	Pump Support	1
11	1716644	Grip	1	52	1714789	Pump Support	1
12	1186230	Hex Nut, 5/16 - 18	7	53	1722473	Mounting Bracket	1
13	1727411	Decal (Hydraulic Lift)	1	54	1718107	Hoss, 25"	1
14	1714761	Hydraulic Power Unit Assy. (Incl. Ref. Nos. 15 thru 41)	1	55	1718106	Hoss, 22"	1
15	1108887	Jam Nut, 3/8 - 16	1	56	1103995	Star Washer, 3/8	2
16	1722035	Comb. Washer	1	57	1107383	Flat Washer, 3/8	2
17	1722034	Stud	1	58	1714780	Lever Link	1
18	1722039	Gasket	1	59	1714788	Hydraulic Cylinder Assy. (Incl. Ref. Nos. 68 thru 76)	1
19	1106880	Capscrew, 5/16 - 18 x 1-1/8	1	60	1110110	Lock Nut, 1/2 - 13	2
20	1107382	Washer, 5/16 x 11/16	2	61	1100064	Capscrew, 1/2 - 13 x 1-1/2	1
21	1722022	Spring Sleeve	1	62	1714820	Lift Indicator	1
22	1722021	Return Spring	1	63	1100060	Capscrew, 1/2 - 13 x 2-3/4	1
23	1186874	Roll Pin	2	64	1100257	Washer, 1/2	1
24	.	Body and Spool Valve	1	65	1714783	Spacer	1
25	1177158	Roll Pin	2	66	1714780	Mounting Bracket	1
26	1722036	Snap Ring	1	67	1105019	Elbow, 1/4 Street 90°	2
27	1722038	Oil Seal	1	68	1721625	Head	1
28	1722030	Relief Plug	1	69	1721628	"O" Ring	3
29	1722029	Relief Spring	1	70	1721627	Tube	1
30	1722028	Relief Ball	1	71	1727440	Decal (Lift Position)	1
31	1722037	"O" Ring	1	72	1721628	Washer	2
32	1722027	Idler Shaft	1	73	1728835	Piston Rod Assy., 5/8 Die.	1
33	1722028	Idler Gear	1	74	1728836	Guide, 5/8 I.D.	1
34	1722025	Drive Gear & Shaft Assy.	1	75	1728837	"O" Ring, 5/8 I.D.	1
35	1185598	Roll Pin	2	76	1721632	Clevis	1
36	1722023	Cover	1	77	1713783	Spacer	4
37	1100240	Lockwasher	6	78	1111615	Screw - Hx. Hd. Cap, 3/8 - 16 x 3-1/2	2
38	1114850	Screw, No. 10 - 32 x 1/2 Fillister Head	6	79	1100243	Washer - Lock, 3/8	4
39	1722031	Filler Plug	1	80	1186231	Nut - Hex, 3/8 - 16	4
40	1722032	Fiber Washer	1	N.I.	1730354	Spray Paint, Black	
41	1722033	Reservoir	1				

Common Hardware - Purchase Locally (Grade 5 where applicable)

Printed by
FMC Corporation
Outdoor Power Equipment Division
Port Washington Wisconsin 53074

FORM P-552999 (2/76)