

BOLENS

HUSKY
TRACTOR

MODELS 853-01
853-02

ILLUSTRATED PARTS CATALOG

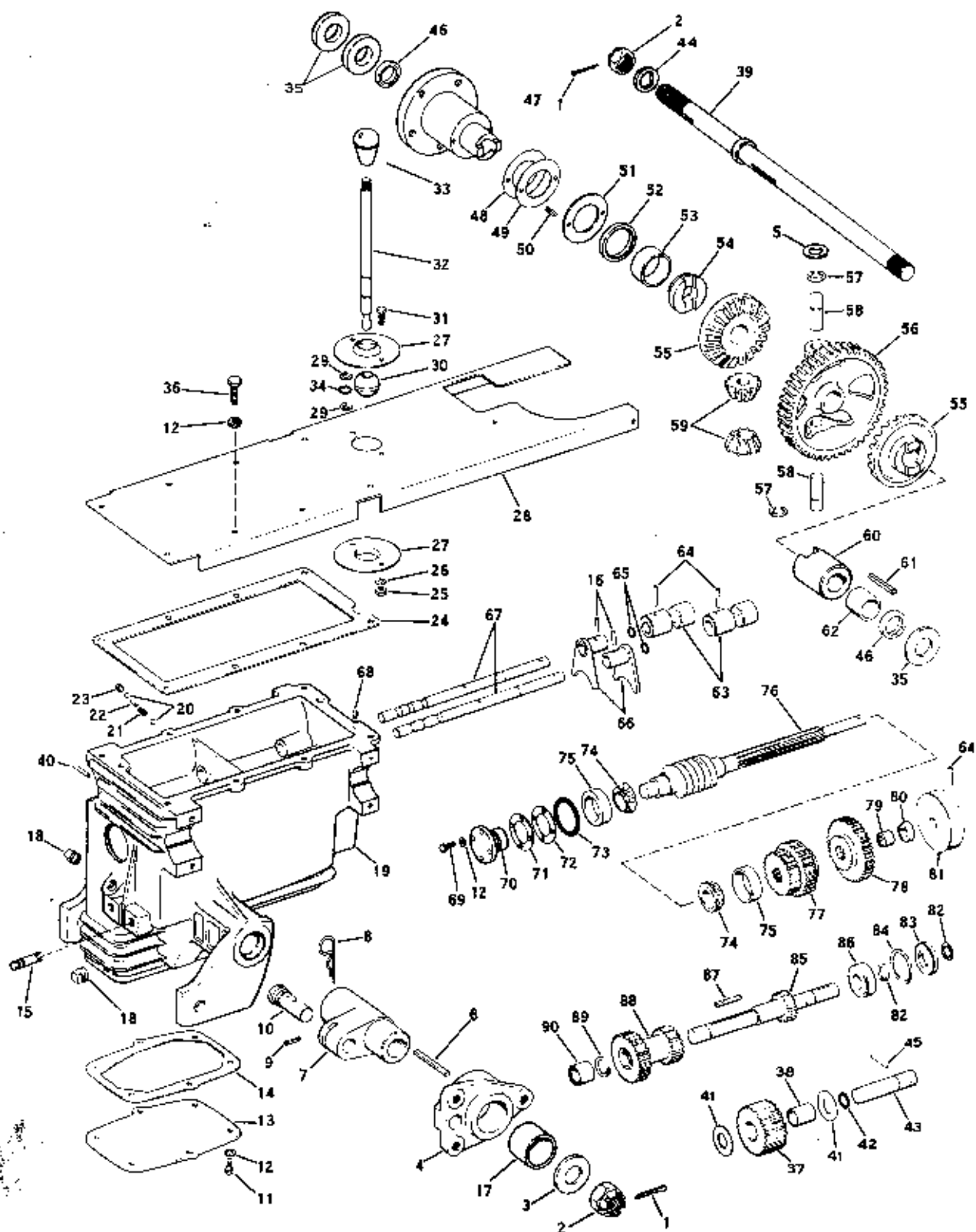
The logo for FMC (Farm Machinery Corporation) is located in the bottom left corner. It consists of the lowercase letters "fmc" in a stylized font, with "CORPORATION" written in smaller letters below it, all enclosed in a square border.

BOLENS

PORT WASHINGTON, WISCONSIN, U.S.A.

PRINTED IN U.S.A.

TRANSMISSION ASSEMBLY MODELS 853-01 AND 853-02
ASSEMBLY PART NO. 1722432



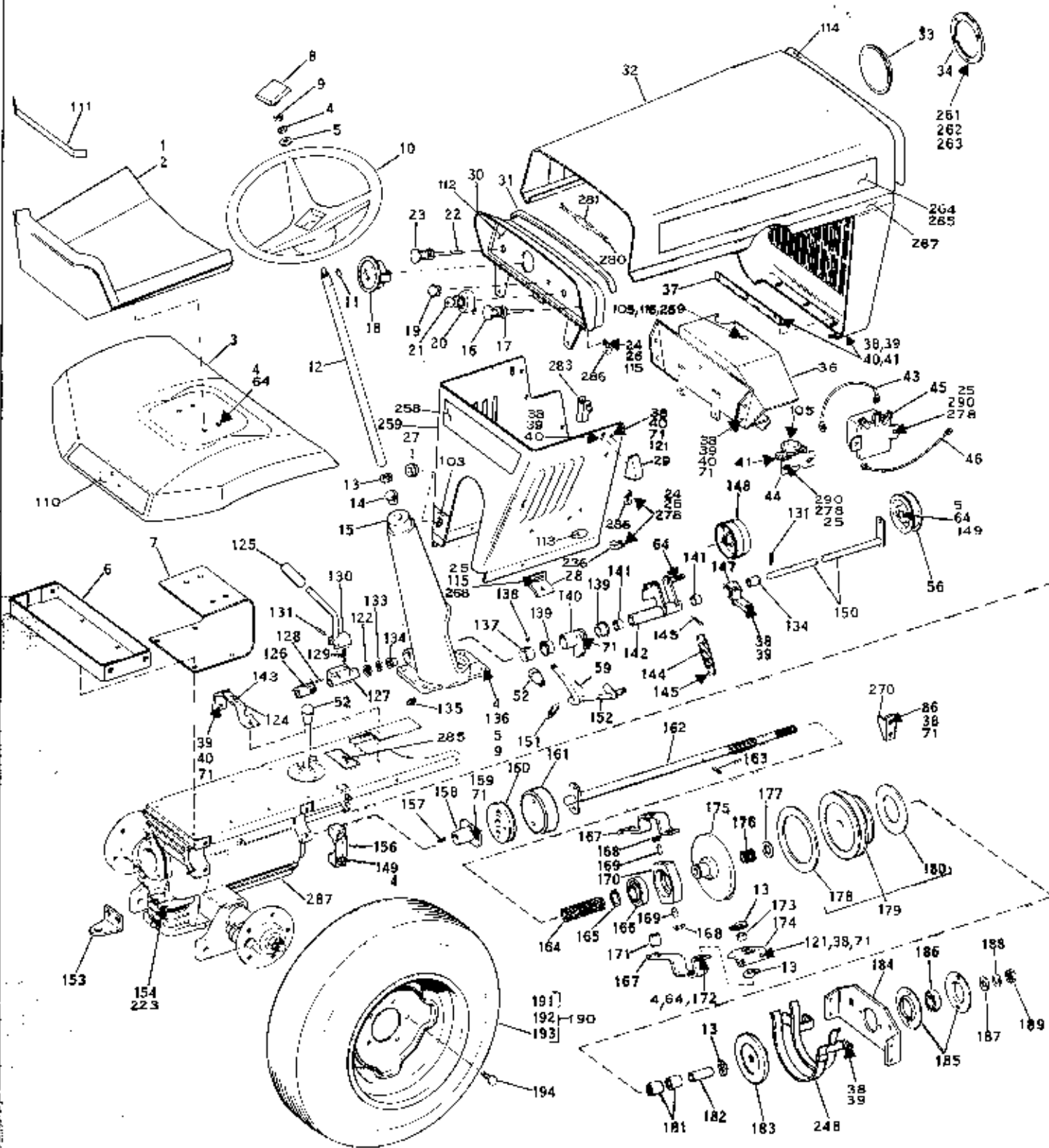
TRANSMISSION ASSEMBLY MODELS 853-01 AND 853-02

Ref. No.	Part No.	Description	No. Req'd.
1	1100352	Cotter Pin 1/8 x 1-1/2	2
2	1120129	Hex Nut 1-14	2
3	1716741	Flat Washer	1
4	1716694	Free Wheeling Hub	1
5	1712763	Washer	As Req.
6	1703053	Sq. Key 1/4 x 2-3/4	1
7	1715725	Drive Collar	1
8	1185590	Hitch Pin	1
9	1185409	Drive Pin 1/4 x 5/8	1
10	1713426	Lock Pin	1
11	1106872	Capscrew 5/16-18 x 5/8	6
12	1100242	Lockwasher 5/16	18
13	1713428	Cover	1
14	1713427	Gasket	1
15	1718087	Stud	2
16	1703066	Drive Pin 1/8 x 3/4	2
17	1185646	Bearing	2
18	1105678	Pipe Plug	2
19	1713465	Gear Case	1
20	1713416	Ball	2
21	1713417	Spring	1
22	1713421	Pin	1
23	1185342	Set Screw 5/16-18 x 3/8	1
24	1713429	Gasket	1
*25	1103838	Hex Nut 1/4-20	2
*26	1100241	Lockwasher 1/4	2
*27	1713455	Bearing Retainer	2
*28	1717274	Cover Plate	1
*29	1118804	Retaining Ring	2
*30	1713423	Pivot Ball	1
*31	1106832	Capscrew 1/4-20 x 5/8	2
*32	1716518	Shifter Lever	1
*33	1715546	Knob	1
*34	1708782	Bowed Washer	1
35	1711786	Thrust Bearing	3
*36	1106876	Capscrew 5/16-18 x 7/8	8
37	1713412	Gear - 38T	1
38	1185113	Bronze Bearing	1
39	1722140	Rear Axle	1
40	1120209	Drive Pin 3/16 x 3/4	1
41	1707546	Flat Washer	2
42	1185360	O-Ring	1
43	1713419	Shaft	1
44	1709578	Washer "D" Hole	1
45	1185232	Drive Pin 3/16 x 1-1/4	1

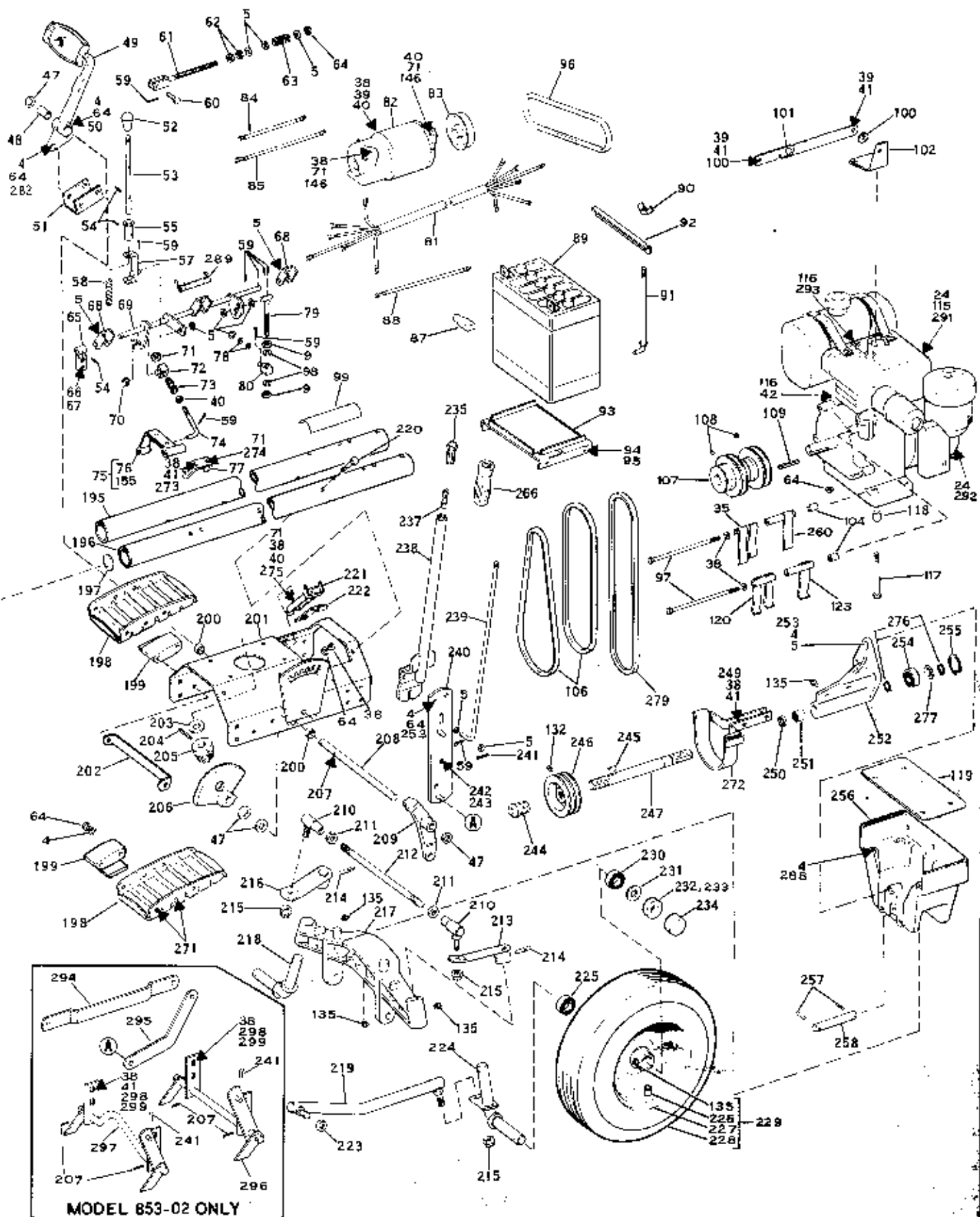
Ref. No.	Part No.	Description	No. Req'd.
46	1185295	Oil Seal	2
47	1722132	Wheel Hub	1
48	1714558	Shim - .020	As Req.
49	1714559	Shim - .005	As Req.
50	1713457	Drive Pin	2
51	1714557	Thrust Bearing	1
52	1185426	Oil Seal	1
53	1714571	Bronze Bearing	1
54	1714565	Coupling	1
55	1714917	Bevel Gear - 22T	2
56	1713411	Worm Wheel	1
57	1177567	Retaining Ring	2
58	1713467	Pinion Shaft	2
59	1713466	Bevel Pinion	2
60	1714566	Drive Hub	1
61	1104337	Sq. Key 1/4 x 1-1/2	1
62	1185300	Bronze Bearing	1
63	1713422	Connector	2
64	1704692	Roll Pin 1/8 x 1	3
65	1177388	O-Ring	2
66	1718489	Shifter Arm	2
67	1713424	Shifter Shaft	2
68	182662	Breather	1
69	1106878	Capscrew 5/16-18 x 1	4
70	1714280	Bearing Retainer	1
71	1714291	Shim - .010	As Req.
72	1714292	Shim - .003	As Req.
73	1185572	O-Ring	1
74	1185275	Bearing Cone	2
75	1185276	Bearing Cup	2
76	1713408	Worm Shaft	1
77	1713439	Sliding Gear	1
78	1713409	Gear - 38T	1
79	1185185	Needle Bearing	1
80	1891820	Oil Seal	1
81	1713697	Brake Drum	1
82	1118809	Retaining Ring	2
83	1185362	Oil Seal	1
84	1700012	Retaining Ring	1
85	1713442	Shaft	1
86	1104440	Ball Bearing	1
87	1108841	Sq. Key 3/16 x 1-1/2	1
88	1713436	Gear and Shaft	1
89	1113527	Retaining Ring	1
90	1185280	Needle Bearing	1

*Indicates parts not included with Gear Case Assembly Part No. 1722432.

TRACTOR ASSEMBLY MODELS 853-01 AND 853-02



TRACTOR ASSEMBLY MODELS 853-01 AND 853-02



TRACTOR ASSEMBLY MODELS 853-01 AND 853-02

Ref. No.	Part No.	Description	No. Req'd
1	1721647	Seat Pad	1
2	1717351	Seat, Pan Assy	1
3	1717221	Fender	1
4	1100243	Lockwasher 3/8	34
5	1107383	Flat Washer 3/8	22
6	1713820	Fender Bracket	1
7	1713415	Support	1
8	1721804	Cap	1
9	1121509	Hex Nut 3/8-16	7
10	1721805	Steering Wheel	1
11	1104436	Woodruff Key 3/16 x 3/4	1
12	1717269	Steering Shaft	1
13	1713122	Bowed Washer	4
14	1717263	Bearing	1
15	1717258	Steering Support	1
16	1717590	Throttle Control (Inc. 17)	1
17	1718233	Throttle Knob & Wire Only	1
18	1714146	Ammeter	1
19	1717551	Hole Plug	1
20	1722275	Ignition Switch (Inc. 21)	1
21	1718266	Key Only (Indak)	1
	1719295	Key Only (Cole Hersee)	1
22	1722078	Choke (Inc. 23)	1
23	1718232	Choke Knob & Wire Only	1
24	1100241	Lockwasher 1/4	14
25	1115931	Phillips Screw 1/4-20 x 5/8	9
26	1121507	Hex Nut 1/4-20	5
27	1185585	Flip Grommet	1
28	1714642	Brace	2
29	1717232	Latch	2
30	1717249	Instrument Panel	1
31	1717599	Pad	1
32	1717220	Hood & Grill Assy w/o Decals	1
33	1717262	Lens	2
34	1718708	Ring, Retaining	2
35	1722094	Belt Guide (LH Rear)	1
36	1722090	Heat Deflector	1
37	1717246	Hinge	1
38	1100242	Lockwasher 5/16	39
39	1106872	Capscrew 5/16-18 x 5/8	22
40	1107382	Flat Washer 5/16	17
41	1182563	Hex Nut 5/16-18	11
42	1114748	Mach Screw #10-32 x 1/2	2
43	1722116	Lead Wire (Sol to Volt Reg)	1
44	1717048	Solenoid	1
45	1708287	Voltage Regulator	1
46	1722114	Lead Wire (Grd to Volt Reg)	1
47	1705092	Washer	4
48	1185582	Sleeve Bearing	1
49	1717372	Clutch Pedal	1
50	1117713	Flat Screw 3/8-16 x 1	1
51	1717268	Bracket	1
52	1715546	Knob	3
53	1716712	Brake Rod	1
54	1703068	Roll Pin 1/8 x 3/4	3
55	1716718	Brake Stop	1
56	1713803	Pulley Idler	1
57	1716716	Bracket	1
58	1716724	Spring	1
59	1100346	Cotter Pin 3/32 x 3/4	11
60	1112587	Clevis Pin	1
61	1716582	Clutch Rod	1
62	1121551	Lock Nut 3/8-16	2
63	1714655	Spring	1
64	1717509	Lock Nut 3/8-16	26
65	1713772	Brake Shoe Assy (Inc. 66-67)	1
66	1713772	Lining Only	1

Ref. No.	Part No.	Description	No. Req'd
67	1185570	Rivet	2
68	1713772	Bracket - Brake Rod	2
69	1717310	Brake Rod Assembly	1
70	1185257	Retaining Ring	1
71	1110107	Lock Nut 5/16-18	24
72	1713804	Brake Control Pivot	1
73	1713782	Compression Spring	1
74	1713806	Brake Shoe Rod	1
75	1713780	Brake Shoe Assy (Inc 76,155)	1
76	1713751	Lining Only	1
77	1713793	Brake Bracket	1
78	1703616	Bowed Washer	2
79	1716719	Brake Rod	1
80	1714663	Pivot Block	1
81	1722084	Wiring Assembly	1
82	1720470	Starter Generator	1
83	1713855	Gen Pulley	1
84	1722113	Lead (Starter to Sol)	1
85	1722115	Lead (Starter to Reg)	1
86	1106878	Capscrew 5/16-18 x 1	6
87	1715012	Terminal Boot	1
88	1722081	Lead Assy (Ground to Batt)	1
89	1716072	Battery 12V - 32 Amp	1
90	1709652	Wing Nut 1/4-20	2
91	1722104	Clamp Rod	2
92	1805527	Batt Retainer	1
93	1722086	Carrier Battery	1
94	1118378	Screw 5/16-18 x 1/2	4
95	1185498	Speed Nut 5/16-18	4
96	1713533	Generator Belt 33-7/16	1
97	1185887	Capscrew 5/16-18 x 7-1/2	2
98	1103895	Lockwasher 3/8	2
99	1722367	Wear Strip	1
100	1705905	Bowed Washer	2
101	1717236	Hood Stop	1
102	1722079	Bracket	1
103	1714802	Decal (Speed Range)	1
104	1722087	Spacer	2
105	1109845	Hex Nut #10-32	2
106	1722074	Belt 35-1/8 (Engine Drive)	2
107	1717287	Engine Pulley	1
108	1103470	Set Screw 5/16-18 x 1/2	2
109	1187474	Square Key 1/4 x 2-1/4	1
110	1721648	Decal (Reflector)	1
111	1720525	Moulding	1
112	1721075	Decal (Instrument Panel)	1
113	1721657	Decal (6-Speed)	1
114	1721386	Decal (Grillie)	1
115	1107381	Flat Washer 1/4	11
116	1100240	Lockwasher #10	3
117	1185886	Capscrew 5/16-18 x 4-1/4 HT	4
118	1714648	Spacer	4
119	1713394	Plate	1
120	1722093	Belt Guide (RH Rear)	1
121	1106874	Capscrew 5/16-18 x 3/4	3
122	1702646	Flat Washer	1
123	1722091	Belt Guide (RH Front)	1
124	1713472	Quadrant	1
125	1721696	Grip	1
126	1715680	Spring	1
127	1715679	Pivot (Inc. 128)	1
128	1120210	Roll Pin 3/16 x 1	1
129	1713391	Spring	1
130	1722013	Control Lever PTO	1
131	1704692	Roll Pin 1/8 x 1	2
132	1103494	Set Screw 3/8-16 x 1/2	2
133	1706782	Bowed Washer	1

TRACTOR ASSEMBLY MODELS 853-01 AND 853-02

Ref. No.	Part No.	Description	No. Req'd.
134	1185647	Bearing	2
135	1104954	Grease Fitting	5
136	1106923	Capscrew 3/8-16 x 1-1/4	4
137	1714595	Set Collar	1
138	1112859	Set Screw 5/16-18 x 5/16	1
139	1185035	Flange Bushing	2
140	1714608	Quadrant Stop Assembly	1
141	1185586	Flanged Bushing	2
142	1714590	Idler Arm Assembly	1
143	1721072	Decal (PTO)	1
144	1716728	Spring	1
145	1185584	Cotter Pin 3/16 x 3/4	2
146	1106886	Hex Screw 5/16-18 x 1-3/4	2
147	1716590	Shaft Support	1
148	1714708	Idler Pulley	1
149	1106930	Capscrew 3/8-16 x 1-3/4	9
150	1717324	Control Shaft	1
151	1701495	Spring	1
152	1714586	Control Rod Assembly	1
153	1714101	Witch	1
154	1100245	Lockwasher 1/2	2
155	1185248	Rivet (Brake Line)	2
156	1713461	Mounting Cap	4
157	1104333	Square Key 3/16 x 1	1
158	1713670	Coupling	1
159	1110818	Set Screw 5/16-18 x 3/4	4
160	1716561	Bonded Coupling	1
161	1713794	Brake Drum	1
162	1717294	Drive Shaft	1
163	1713432	Drive Pin 3/16 x 1-1/4	1
164	1714649	Spring	1
165	1113526	Retaining Ring	1
166	1704479	Ball Bearing	1
167	1714666	Clutch Yoke	2
168	121900	Bowed Washer	As Req.
169	1110202	Dowel Pin	2
170	1714639	Bearing Retainer	1
171	1714665	Spacer	1
172	1106927	Capscrew 3/8-16 x 1-1/2	2
173	1714664	Spacer	1
174	1714656	Yoke Support	1
175	1717309	Clutch Flange	1
176	1716583	Spring	1
177	1185432	Thrust Race	1
178	1714630	Friction Disc	2
179	1717299	Pulley Assy (Inc. 178 & 180)	1
180	1717298	Friction Disc	1
181	1185471	Needle Bearing	2
182	1717237	Spacer	1
183	1717296	Clutch Flange	1
184	1717293	Bearing Support	1
185	1185588	Bearing Flange	2
186	1185587	Self Aligning Bearing	1
187	1185023	Flat Washer 9/16	1
188	1100246	Lockwasher 9/16	1
189	1110153	Hex Nut 9/16-18	1
190	1715866	Wheel and Tire Assy (Inc. 191, 192, 193)	2
191	1715787	Wheel Only	2
192	1715856	Tubeless Tire 8 x 12	2
193	1716011	Valve Stem Assy	2
194	101045	Hub Bolt	10
195	1717333	Frame Tube, LH	1
196	1717332	Frame Tube, RH	1
197	1711380	Expansion Plug	2
198	1713483	Foot Rest	2
199	1713474	Spacer	2

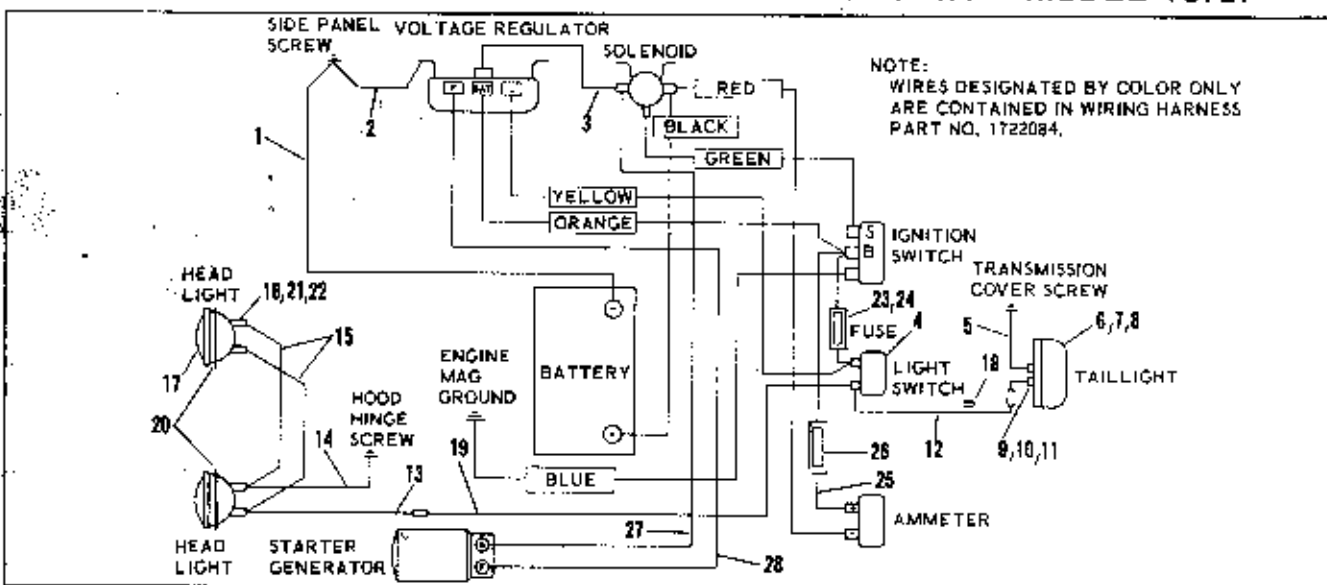
Ref. No.	Part No.	Description	No. Req'd.
200	1185558	Sleeve Bearing	2
201	1717315	Mounting Plate	1
202	1713397	Support	1
203	1708012	Flat Washer	1
204	1185284	Drive Pin 1/4 x 2	2
205	1713811	Steering Pinion	1
206	1713809	Steering Gear	1
207	1100350	Cotter Pin 1/8 x 1	6
208	1714840	Cross Shaft	1
209	1716563	Steering Arm	1
210	1713361	Ball Joint	2
211	1103926	Jam Nut 1/2-20	2
212	1713385	Tie Rod	1
213	1713378	Steering Lever RH	1
214	1891696	Drive Pin 5/16 x 1-1/2	2
215	1110152	Self Locking Nut 1/2-20	3
216	1713377	Steering Lever LH	1
217	1716697	Axle	1
218	1716953	Spindle LH	1
219	1717462	Drag Link	1
220	1106938	Capscrew 3/8-16 x 2-3/4	7
221	1714611	Quadrant Assembly	1
222	1714710	Belt Guide	1
223	1110152	Self Locking Nut 1/2-20	3
224	1716952	Spindle RH	1
225	1185616	Ball Bearing	2
226	1715855	Valve Stem Assy	2
227	1715789	Wheel Only	2
228	1718291	Tubeless Tire 4.80/400 x 8	2
229	1718426	Wheel & Tire Assy 4.80/400 x 8	2
230	1185615	Ball Bearing	2
231	121898	Washer	4
232	1716197	Set Collar	2
233	1187857	Set Screw 1/4-20 x 1	2
234	1715899	Dust Cap	2
235	1714644	Plunger	1
236	1704930	Clamp	1
237	1713075	Spring	1
238	1714527	Lift Lever	1
239	1714645	Rod	1
240	1714575	Tool Lift	1
241	1703011	Spring Cotter	3
242	1107035	Capscrew 1/2-13 x 2	1
243	1185496	Jam Nut 1/2-13	1
244	1714132	Rubber Tip	2
245	1104436	Woodruff Key 3/16 x 3/4	1
246	1714555	Pulley	1
247	1721598	Shaft - P. T. O. (Inc 277)	1
248	1717288	Belt Guide	1
249	1106880	Capscrew 5/16-18 x 1-1/8	2
250	1185224	Oil Seal	1
251	1185010	Needle Bearing	1
252	1715785	Support Housing	1
253	1106921	Capscrew 3/8-16 x 1-1/8	5
254	1185605	Ball Bearing	1
255	1118730	Retaining Ring	1
256	1717270	Axle Support	1
257	1185232	Drive Pin 3/16 x 1-1/4	2
258	1713383	Axle Pivot	1
259	1721546	Rear Panel	1
260	1722092	Belt Guide (LH Front)	1
261	1185807	Rivet	6
262	1185748	Wave Washer	6
263	1185746	Spring Clip	6
264	1722047	Hood Decal - LH	1
265	1722046	Hood Decal - RH	1
266	1715575	Grip	1

TRACTOR ASSEMBLY MODELS 853-01 AND 853-02

Ref. No.	Part No.	Description	No. Req'd
267	1717859	Tape Strip 68"	1
268	1185456	Tinnerman Nut	2
269	1114755	Screw #10-32 x 5/8	1
270	1716586	Clutch Stop	1
271	1106940	Capscrew 3/8-16 x 3	8
272	1714549	Belt Guide	1
273	1106893	Capscrew 5/16-18 x 2-1/2	2
274	1106896	Capscrew 5/16-18 x 2-3/4	1
275	1111265	Carriage Bolt 5/16-18 x 3/4	3
276	1185649	Retaining Ring	2
277	1721590	Seal Washer	1
278	1110106	Lock Nut 1/4-20	9
279	1722095	Belt - P. T. O. 44-1/4	1
280	1722088	Fuse Hold (Amm to Ign Sw)	1
281	1720976	Fuse 20 Amp	1
282	1106919	Capscrew 3/8-16 x 1	1
283	1719512	Tie Band	1
284	1721272	Decal (Instruction)	1
285	1717981	Decal (Shift and Brake)	1

Ref. No.	Part No.	Description	No. Req'd
286	1721037	Wire Clamp	3
287	1722432	Transmission Assy (See p. 2)	1
288	1111614	Cap screw 3/8-16 x 3 IT	4
289	1721571	Torsion Spring	1
290	1185839	Lockwasher 1/4	4
291	1106832	Capscrew 1/4-20 x 5/8	4
292	1106828	Capscrew 1/4-20 x 3/8	2
293	1100115	Mach Screw #10-24 x 1/2	1
294	1720480	Link (Mod. 853-02 Only)	1
295	1720479	Con Link (Mod 853-02 Only)	1
296	1720492	Lift Arm (Front) (Mod. 853-02 Only)	1
297	1720493	Lift Arm (Rear) (Mod. 853-02 Only)	1
298	1100255	Flat Washer 5/16 (Mod. 853-02 Only)	8
299	1106876	Cap Screw 5/16-18 x 7/8 (Mod. 853-02 Only)	8

WIRING DIAGRAM WITH OPTIONAL DUAL LIGHT KIT - MODEL 18721



Ref. No.	Part No.	Description	No. Req'd
1	1722081	Lead Assembly (Ground)	1
2	1722114	Lead Wire (Ground)	1
3	1722116	Lead Wire (Reg to Sol)	1
4	1717256	Light Switch	1
5	1717922	Lead Wire (Taillight Ground)	1
6	1717597	Taillight Assy (Inc 7 & 8)	1
7	*	Bulb (GE1889)	1
8	1718234	Lens Only	1
9	1100240	Lockwasher #10	2
10	1109845	Nut #10-32	2
11	1114755	Screw #10-32 x 5/8	2
12	1717370	Lead (Light Sw to Taillight)	1
13	1717370	Lead Headlight	1
14	1717370	Lead Headlight	1

Ref. No.	Part No.	Description	No. Req'd
15	1717370	Lead Headlight	2
16	1185746	Clip Headlight	6
17	*	Headlight Bulb (GE4406)	2
18	1717581	"S" Clips	3
19	1721018	Lead (Switch to Light Lead)	1
20	1719708	Retaining Ring	2
21	1185807	Rivet	6
22	1185748	Wave Washer	6
23	1719194	Fuse 14 Amp	1
24	1719193	Fuse Holder	1
25	1722088	Fuse Holder	1
26	1720976	Fuse 20 Amp	1
27	1722113	Lead (Starter to Sol)	1
28	1722115	Lead (Starter to Reg)	1

*Not stocked. Purchase from your local automotive or electrical supplier.