

BOLENS 14 HP TRACTOR

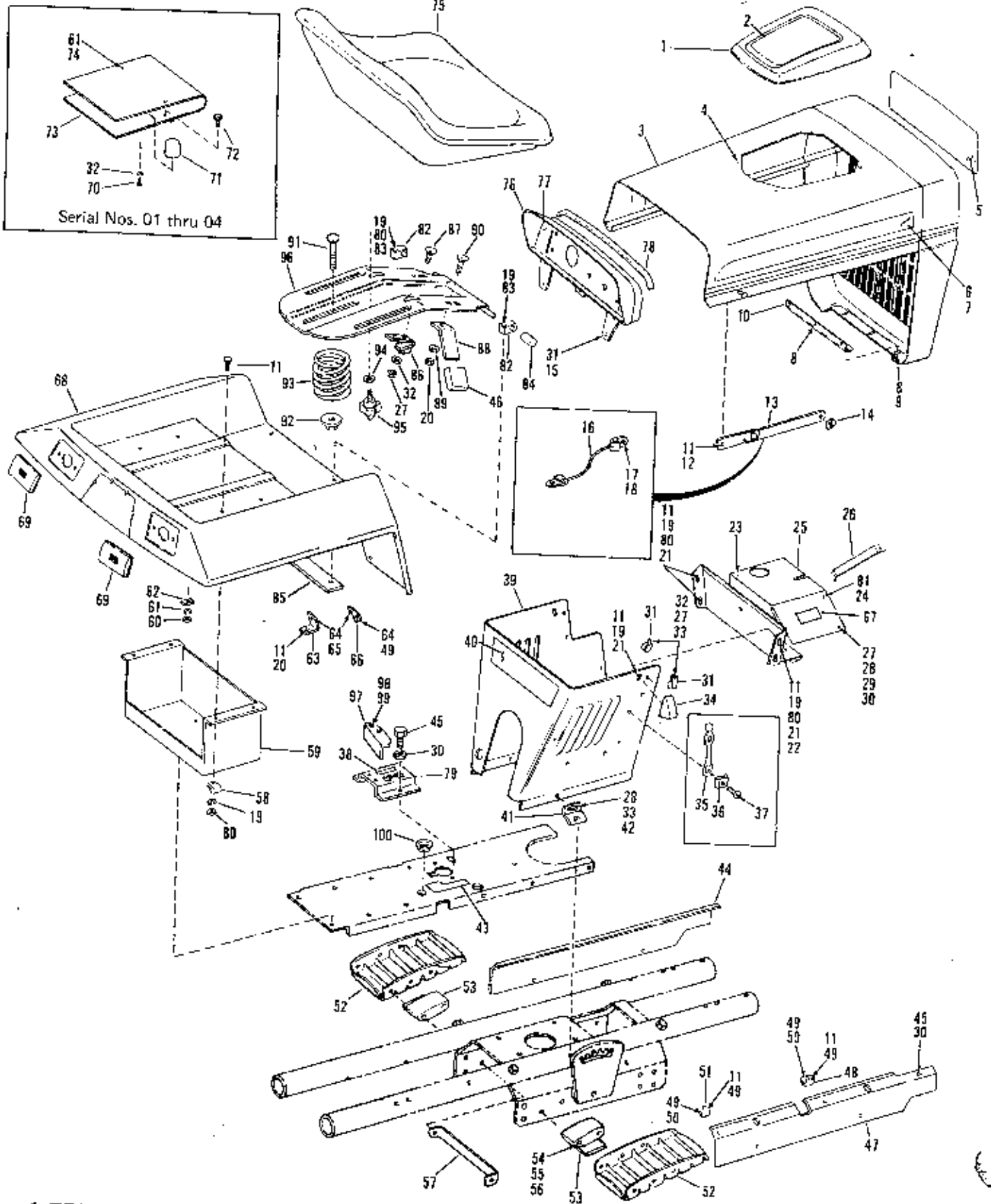


Figure 1 TRIM ASSEMBLY

| REF. NO. | PART NO. | DESCRIPTION | NO. REQ'D. | REF. NO. | PART NO. | DESCRIPTION | NO. REQ'D. |
|----------|-----------|---|------------|----------|-----------|---|------------|
| 1 | 1724065 | Engine Cover | 1 | 51 | 1722019 | Panel Rear Support | 2 |
| 2 | 1727239 | Engine Cover Decal (2)(3)(4)(5) | 1 | 52 | 1713483 | Foot Rest | 2 |
| 3 | 1723585 | Hood and Grill Assembly (w/o Decals) | 1 | 53 | 1713474 | Foot Rest Spacer | 2 |
| 4 | • 1186009 | Round Head Screw | 1 | 54 | • 1100243 | Lockwasher, 3/8 | 4 |
| 5 | 1725514 | Trade Mark Decal | 1 | 55 | • 1111614 | Hex Hd. Capscrew, 3/8-16 x 3 HT | 4 |
| | 1727450 | Trade Mark Decal | 1 | 56 | • 1110108 | Self Locking Nut, 3/8-16 | 4 |
| 6 | 1725540 | R.H. Ident. Decal (1) | 1 | 57 | 1713397 | Support Bar | 1 |
| | 1727454 | R.H. Ident. Decal (2)(3)(4) | 1 | 58 | 1704930 | Clamp | 1 |
| 7 | 1725543 | L.H. Ident. Decal (1) | 1 | 59 | 1721893 | Fender Support | 1 |
| | 1727455 | L.H. Ident. Decal (2)(3)(4) | 1 | 60 | • 1186231 | Hex Nut, 3/8-16 (1)(2)(3)(4) | 2 |
| 8 | • 1186329 | Flange Screw, 5/16-18 x 3/4 | 6 | 61 | • 1100243 | Lockwasher, 3/8 (1)(2)(3)(4) | 4 |
| 9 | • 1186391 | Flange Nut, 5/16-18 | 3 | 62 | 1721876 | Reinforcing Plate (1)(2)(3)(4) | 2 |
| 10 | 1717246 | Hinge | 1 | 63 | 1722016 | Fender Support Bracket | 2 |
| 11 | • 1100044 | Hex Hd. Capscrew, 5/16-18 x 3/4 | 13 | 64 | • 1185872 | Truss Hd. Phl. Rec. Screw, 5/16-18 x 5/8 | 6 |
| 12 | • 1186230 | Hex Nut, 5/16-18 (1) | 1 | 85 | • 1185873 | Speed "U" Type Nut, 5/16-18 | 4 |
| 13 | 1726778 | Hood Stop (1) | 1 | 86 | 1722017 | Fender Support | 2 |
| 14 | 1705908 | Bowed Washer (1) | 1 | 87 | 1734710 | Hot Decal (5) | 1 |
| 15 | • 1186389 | Flange Lock Nut, 1/4-20 | 5 | 88 | 1721846 | Fender (1)(2)(3) | 1 |
| 16 | 1727268 | Lanyard (2) | 1 | | 1732975 | Fender (4) | 1 |
| | 1725637 | Lanyard (3)(4)(5) | 1 | | 1734534 | Fender (5) | 1 |
| 17 | • 1111599 | Capscrew, 1/4 20 x 5/8 (2) | 1 | 69 | 1725615 | Reflector | 2 |
| | • 1100804 | Hex Hd. Capscrew, 1/4-20 x 1/2 (3)(4)(5) | 2 | 70 | • 1100804 | Hex Hd. Capscrew, 1/4-20 x 1/2 (1)(2)(3)(4) | 1 |
| 18 | 1185893 | Tinnerman Nut, 1/4-20 (2) | 1 | 71 | 1722929 | Spring Bumper (1)(2)(3)(4) | 1 |
| | • 1110106 | Self Locking Nut, 1/4-20 (3)(4)(5) | 2 | 72 | • 1100913 | Hex Hd. Capscrew, 3/8-16 x 7/8 (1)(2)(3)(4) | 2 |
| 19 | • 1100242 | Lockwasher, 5/16 | 12 | 73 | 1722930 | Seat Spring (1)(2)(3)(4) | 1 |
| 20 | • 1110107 | Self Locking Nut, 5/16-18 | 3 | 74 | • 1100068 | Hex Hd. Capscrew, 3/8-16 x 3/4 (1)(2)(3)(4) | 2 |
| 21 | • 1107382 | Flat Washer, 5/16 | 6 | 75 | 1723525 | Seat (1)(2) | 1 |
| 22 | • 1177548 | Shakeproof Washer, 5/16 | 1 | | 1733028 | Seat (3)(4)(5) | 1 |
| 23 | • 1185712 | Self Tapping Rd. Hd. Slotted Screw, No. 10-12 | 1 | 76 | 1723391 | Instrument Panel (1)(2)(3)(4) | 1 |
| 24 | • 1187559 | Shakeproof Washer, No. 10 | 1 | | 1733054 | Instrument Panel (5) | 1 |
| 25 | 1725582 | Heat Deflector Assy. | 1 | 77 | 1723506 | Instrument Panel Decal (1) | 1 |
| 26 | 1725643 | Heat Shield Support | 1 | | 1727419 | Instrument Panel Decal (2)(3) | 1 |
| 27 | • 1186229 | Hex Nut, 1/4-20 | 9 | | 1733053 | Instrument Panel Decal (4)(5) | 1 |
| 28 | • 1107381 | Flat Washer, 1/4 | 7 | 78 | 1717599 | Rubber Pad | 1 |
| 29 | • 1111599 | Hex Hd. Capscrew, 1/4 20 x 5/8 | 1 | | 1723382 | PTO Lever Quadrant (1)(2)(3)(4) | 1 |
| 30 | • 1187612 | Lockwasher, 1/4 | 11 | | 1735110 | PTO Lever Quadrant (5) | 1 |
| 31 | 1721262 | "J" Chip | 3 | 80 | • 1186230 | Hex Nut, 5/16-18 (2)(3)(4)(5) | 9 |
| 32 | • 1100241 | Lockwasher, 1/4 | 4 | 81 | 1118172 | Rd. Hd. Screw, No. 10-24 x 5/8 (5) | 1 |
| 33 | • 1115931 | Phl. Hd. Mach. Screw, 1/4-20 x 5/8 | 4 | 82 | 1714782 | Pivot Block (5) | 2 |
| 34 | 1717232 | Latch (1) | 2 | 83 | • 1100808 | Hex Screw, 5/16 18 x 1-1/4 (5) | 2 |
| 35 | 1727127 | Latch (2)(3)(4) | 2 | 84 | 1734898 | Plastic Grip (5) | 2 |
| 36 | 1727126 | Clip (2)(3)(4) | 2 | 85 | 1734393 | Reinforcing Plate (5) | 1 |
| 37 | 1185879 | Pop Rivet, 3/16 (1)(2)(3)(4) | 2 | 86 | 1734515 | Actuator Bracket (5) | 1 |
| | 1728772 | Pop Rivet, 3/16 (5) | 2 | 87 | • 1186067 | Carriage Bolt, 1/4-20 x 1/2 (5) | 1 |
| 38 | 1725875 | PTO Decal (1) | 1 | 88 | 1734268 | Seat Support Stand (5) | 1 |
| | 1727469 | PTO Decal (2)(3) | 1 | 89 | 121900 | Bowed Washer (5) | 1 |
| 39 | 1723397 | Rear Panel Assembly | 1 | 90 | • 1186098 | Carriage Bolt, 5/16-18 x 3/4 (5) | 1 |
| 40 | 1725811 | Instruction Decal (1) | 1 | 91 | • 1186130 | Carriage Bolt, 3/8-16 x 1-1/4 (5) | 1 |
| | 1727413 | Instruction Decal (2)(3)(4) | 1 | 92 | 1735125 | Nut & Washer, 3/8-16 (5) | 1 |
| 41 | 1714642 | Brace | 2 | 93 | 1733960 | Compression Spring (5) | 1 |
| 42 | • 1185456 | Tinnerman Nut | 2 | 94 | • 1100256 | Flat Washer, 3/8 (5) | 2 |
| 43 | 1725814 | Instruction Decal (1)(2)(3) | 1 | 95 | 1734269 | Knob (5) | 7 |
| | 1727468 | Instruction Decal (4) | 1 | 96 | 1734115 | Support Assy. (5) | 1 |
| 44 | 1722041 | L.H. Side Panel | 1 | 97 | 1735115 | Shield (5) | 1 |
| 45 | • 1185211 | Thread Cutting Hex Hd. Screw, 1/4-20 x 1/2 | 8 | 98 | • 1729478 | Screw, No. 4-40 x 1 1/4 (5) | 2 |
| 46 | 1735054 | Grip (5) | 1 | 99 | 1727777 | Speed Nut (5) | 1 |
| 47 | 1722040 | R.H. Side Panel | 1 | 100 | 1735111 | Nylon Bushing (5) | 1 |
| 48 | 1722018 | Panel Front Support | 2 | NI | 1730355 | White Spray Paint | |
| 49 | • 1185498 | Speed "U" Type Nut, 5/16-18 | 10 | NI | 1730354 | Black Spray Paint | |
| 50 | • 1185872 | Truss Hd. Phl. Rec. Screw | 4 | | | | |

(1) Serial Numbers 0100101 thru 0199999
 (2) Serial Numbers 0200101 thru 0299999
 (3) Serial Numbers 0300101 thru 0399999
 (4) Serial Numbers 0400101 thru 0499999
 (5) Starting With Serial Number 0500101

• Common Hardware - Purchase Locally (Grade 5 where applicable)

BOLENS 14 HP TRACTOR

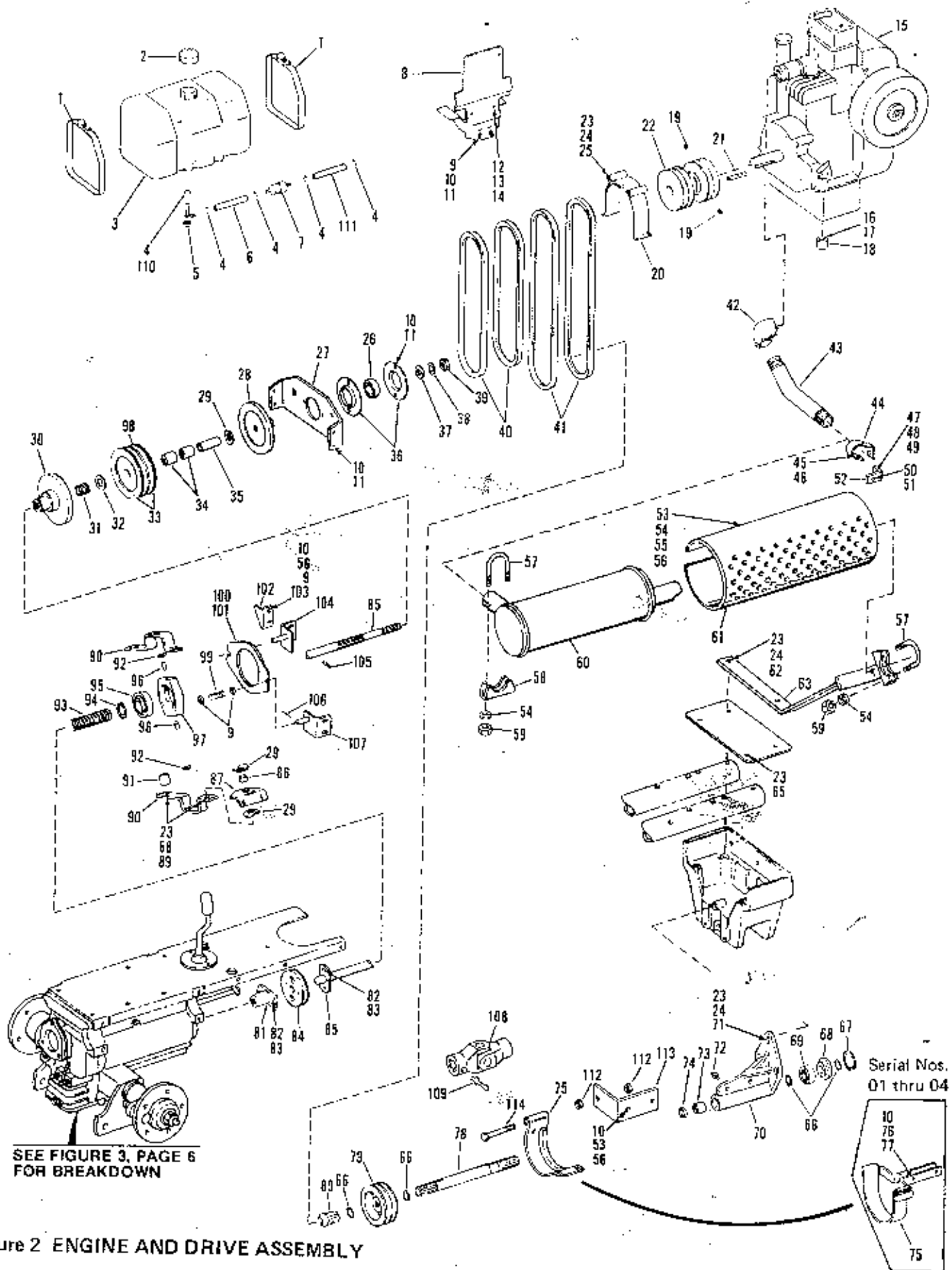


Figure 2 ENGINE AND DRIVE ASSEMBLY

| REF. NO. | PART NO. | DESCRIPTION | NO. REQ'D. |
|----------|----------|---|------------|
| 1 | 1723413 | Gas Tank Strap | 2 |
| 2 | 1723473 | Gas Tank Cap | 1 |
| 3 | 1721579 | Gasoline Tank | 1 |
| 4 | 1718185 | Hose Clamp | 5 |
| 5 | 1723518 | Gas Tank Outlet (1)(2)(3)(4) | 1 |
| | 1734532 | Gas Tank Outlet (5) | 1 |
| 6 | 1723519 | Fuel Line (1)(2)(3)(4) | 1 |
| | 1734941 | Fuel Line (5) | 1 |
| 7 | 1723521 | Fuel Filter (1)(2) | 1 |
| | 1727491 | Fuel Filter (3) | 1 |
| 8 | 1723655 | Gas Tank Bracket (2)(3)(4)(5) | 1 |
| 9 | 1107382 | Flat Washer, 5/16 | 10 |
| 10 | 1100242 | Lockwasher, 5/16 | 14 |
| 11 | 1100044 | Hex Hd. Capscrew, 5/16-18 x 3/4 | 8 |
| 12 | 1723656 | Spacer (2)(3) | 2 |
| 13 | 1185839 | Shakeproof Washer, 1/2 (2)(3)(4)(5) | 2 |
| 14 | 1100806 | Capscrew, 1/4-20 x 1-1/4 (2)(3)(4)(5) | 2 |
| 15 | | Tecumseh Engine HH140 | 1 |
| 16 | 1726808 | Screw, 3/8-16 x 3-1/4 | 4 |
| 17 | 1103995 | Shakeproof Washer, 3/8 | 4 |
| 18 | 1714648 | Spacer | 4 |
| 19 | 1185919 | Set Screw (w/Point), 5/16-18 x 3/8 | 2 |
| 20 | 1716642 | Belt Guide Assembly | 1 |
| 21 | 1187474 | Key, 1/4 SP x 2-1/4 | 1 |
| 22 | 1722941 | Engine Sheave | 1 |
| 23 | 1100243 | Lockwasher, 3/8 | 11 |
| 24 | 1107383 | Flat Washer, 3/8 | 7 |
| 25 | 1100062 | Hex Hd. Capscrew, 3/8-16 x 2-1/2 | 2 |
| 26 | 1185587 | Self Aligning Bearing | 1 |
| 27 | 1717293 | Bearing Support | 1 |
| 28 | 1716598 | Clutch Flange | 1 |
| 29 | 1713122 | Bowed Washer | 3 |
| 30 | 1716596 | Clutch Flange | 1 |
| 31 | 1716583 | Compression Spring | 1 |
| 32 | 1185432 | Thrust Race | 1 |
| 33 | 1716599 | Friction Disc | 2 |
| 34 | 1185471 | Needle Bearing | 2 |
| 35 | 1717238 | Special Spacer | 1 |
| 36 | 1185688 | Flange Bearing | 2 |
| 37 | 1185023 | Flat Washer, 9/16 | 1 |
| 38 | 1100246 | Lockwasher, 9/16 | 1 |
| 39 | 1110153 | Self Locking Nut, 9/16-18 | 1 |
| 40 | 1716571 | Engine Drive Belt 34", Matched Set of 2 | 1 |
| 41 | 1716570 | PTO Belt 42-1/2", Matched Set of 2 | 1 |
| 42 | 1721270 | Elbow, 90° (1)(2)(3)(4) | 1 |
| | 1105070 | Elbow, 90° (5) | 1 |
| 43 | 1723528 | Exhaust Manifold (1)(2)(3)(4) | 1 |
| | 1727264 | Exhaust Manifold (5) | 1 |
| 44 | 1725642 | Exhaust Manifold Support | 1 |
| 45 | 1110106 | Self Locking Nut, 1/4-20 | 1 |
| 46 | 1111601 | Hex Hd. Capscrew, 1/4-20 x 1-3/4 | 1 |
| 47 | 1186229 | Hex Nut, 1/4-20 | 1 |
| 48 | 1111699 | Hex Hd. Capscrew, 1/4-20 x 5/8 | 1 |
| 49 | 1187612 | Lockwasher, 1/4 | 1 |
| 50 | 1187429 | Self Tapping Rd. Hd. Slotted Screw, No. 10-12 | 1 |
| 51 | 1187559 | Shakeproof Washer, No. 10-12 | 1 |
| 52 | 1723659 | Throttle Cable Bracket | 1 |
| 53 | 1100045 | Hex Hd. Capscrew, 5/16-18 x 1 | 2 |
| 54 | 1100242 | Lockwasher, 5/16 | 6 |
| 55 | 1107382 | Flat Washer, 5/16 (1)(2)(3)(4) | 2 |
| 56 | 1186230 | Hex Nut, 5/16-18 | 8 |
| 57 | 1723131 | U-Bolt | 2 |

| REF. NO. | PART NO. | DESCRIPTION | NO. REQ'D. |
|----------|----------|---|------------|
| 58 | 1723130 | Clamp | 1 |
| 59 | 1186211 | Hex Nut, 5/16-24 | 4 |
| 60 | 1723055 | Muffler | 1 |
| 61 | 1723054 | Muffler Shield Assembly | 1 |
| 62 | 1110644 | Capscrew, 3/8-16 x 3-1/4 | 2 |
| 63 | 1724404 | Support Muffler | 1 |
| 64 | 1713394 | Cover Plate | 1 |
| 65 | 1116114 | Hex Hd. Capscrew, 3/8-16 x 3 HT | 2 |
| 66 | 1185649 | Retaining Ring | 4 |
| 67 | 1118730 | Retaining Ring | 1 |
| 68 | 1721590 | Seal Washer | 1 |
| 69 | 1185605 | Ball Bearing | 1 |
| 70 | 1715785 | PTO Support | 1 |
| 71 | 1100043 | Hex Hd. Capscrew, 3/8-16 x 1-1/4 | 3 |
| 72 | 1104954 | Grease Fitting (1)(2)(3)(4) | 1 |
| | 1185976 | Grease Fitting (5) | 1 |
| 73 | 1185010 | Needle Bearing | 1 |
| 74 | 1185224 | Oil Seal | 1 |
| 75 | 1716647 | Belt Band Assembly (1)(2)(3)(4) | 1 |
| | 1733074 | Belt Band Assembly (5) | 1 |
| 76 | 1182563 | Hex Nut, 5/16-18 (1)(2)(3)(4) | 2 |
| 77 | 1106880 | Hex Hd. Capscrew, 5/8-16 x 1-1/8 (1)(2)(3)(4) | 2 |
| 78 | 1721597 | PTO Shaft (Incl. Ref. No. 68) | 1 |
| 79 | 1716594 | PTO Sheave (1)(2)(3)(4) | 1 |
| | 1733071 | PTO Sheave (5) | 1 |
| 80 | 1714132 | Crutch Tip | 1 |
| 81 | 1716585 | Shaft Coupling | 1 |
| 82 | 1110818 | Socket Head Capscrew, 5/16-18 x 3/4 | 4 |
| 83 | 1110107 | Self Locking Nut, 5/16-18 | 4 |
| 84 | 1716561 | Bonded Coupling | 1 |
| 85 | 1717243 | Drive Shaft Assembly | 1 |
| 86 | 1714664 | Spacer | 1 |
| 87 | 1714656 | Yoke Support | 1 |
| 88 | 1100047 | Hex Hd. Capscrew, 3/8-16 x 1-1/2 | 2 |
| 89 | 1110108 | Self Locking Nut, 3/8-14 | 2 |
| 90 | 1714666 | Clutch Yoke | 2 |
| 91 | 1714665 | Spacer | 1 |
| 92 | 121900 | Bowed Washer | As Req'd. |
| 93 | 1714649 | Spring | 1 |
| 94 | 1113526 | Retaining Ring | 1 |
| 95 | 1704479 | Bearing | 1 |
| 96 | 1110202 | Dowel Pin | 2 |
| 97 | 1714639 | Bearing Retainer | 1 |
| 98 | 1717240 | Sheave and Facing Assy. (Incl. Ref. No. 33) | 1 |
| 99 | 1713167 | Compression Spring | 2 |
| 100 | 1716618 | Brake Plate Assembly (Incl. Ref. No. 101) | 1 |
| 101 | 1716599 | Friction Disc Only | 1 |
| 102 | 1716586 | Clutch Pedal Stop | 1 |
| 103 | 1100045 | Hex Hd. Capscrew, 5/16-18 x 1 | 4 |
| 104 | 1716638 | L.H. Bracket Assembly | 1 |
| 105 | 1713432 | Drive Pin, 3/16 x 1-1/4 | 1 |
| 106 | 1100346 | Cotter Pin, 3/32 x 3/4 | 2 |
| 107 | 1716637 | R.H. Bracket Assembly | 1 |
| 108 | 1715008 | Universal Joint (2)(3) | 1 |
| 109 | 1716369 | Special Cutter Pin (2)(3) | 1 |
| 110 | 1723474 | Fuel Line Clamp (3) | 1 |
| 111 | 1734942 | Fuel Line (5) | 1 |
| 112 | 1186259 | Hex Nut, 3/8-16 (5) | 2 |
| 113 | 1733072 | Brake Support (5) | 1 |
| 114 | 1116114 | Hex Hd. Screw, 3/8-16 x 3 HT (5) | 1 |

- (1) Serial Numbers 0100101 thru 0199999
- (2) Serial Numbers 0200101 thru 0299999
- (3) Serial Numbers 0300101 thru 0399999
- (4) Serial Numbers 0400101 thru 0499999
- (5) Starting With Serial Number 0500101

*Purchase Parts from your Tecumseh, Lauson-Power Products Outlet.

•Common Hardware - Purchase Locally (Grade 5 where applicable)

BOLENS 14 HP TRACTOR

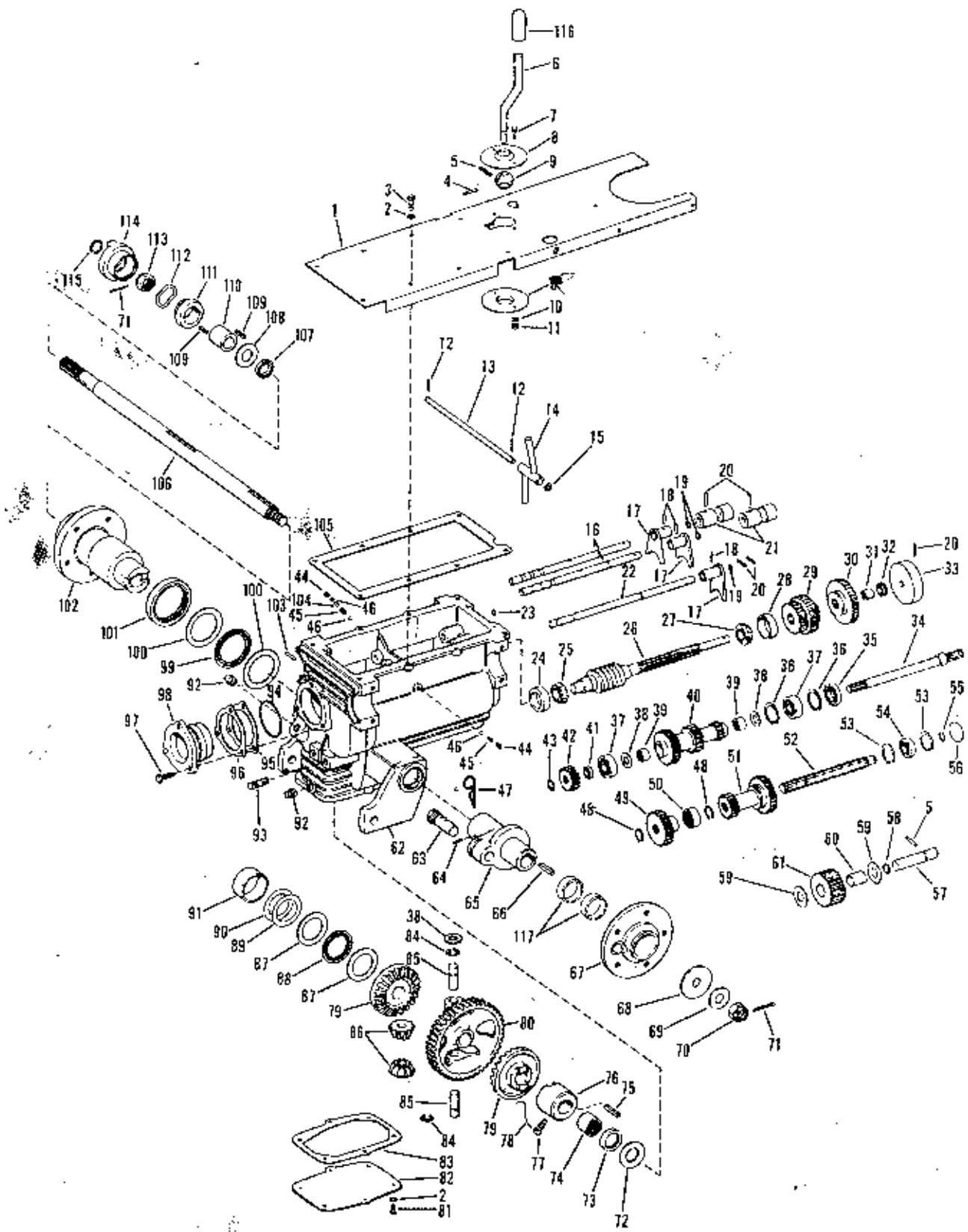


Figure 3 TRANSMISSION ASSEMBLY

| REF. NO. | PART NO. | DESCRIPTION | NO. REQ'D. | REF. NO. | PART NO. | DESCRIPTION | NO. REQ'D. |
|----------|-----------|-------------------------|------------|----------|-----------|---|------------|
| 1 | 1723436 | Cover Plate | 1 | 61 | 1713412 | Gear, 28T | 1 |
| 2 | • 1100242 | Lockwasher, 5/16 | 14 | 62 | 1716517 | Gear Case | 1 |
| 3 | • 1100078 | Capscrew, 5/16-18 x 7/8 | 8 | 63 | 1713426 | Lock Pin | 1 |
| 4 | 1110181 | Dowel Pin | 1 | 64 | 1185409 | Drive Pin, 1/4 x 5/8 | 1 |
| 5 | • 1185232 | Roll Pin, 3/16 x 1-1/4 | 2 | 65 | 1716506 | Drive Collar | 1 |
| 6 | 1723558 | Shift Lever | 1 | 66 | • 1703053 | Square Key, 1/4 sq | 1 |
| 7 | • 1111599 | Capscrew, 1/4-20 x 5/8 | 2 | 67 | 1723583 | Free Wheeling Hub (Incl. Ref. No. 117) | 1 |
| 8 | 1713455 | Bearing Retainer | 2 | 68 | 1716502 | Special Washer | 1 |
| 9 | 1722004 | Pivot Ball | 1 | 69 | 1707410 | Washer | 1 |
| 10 | • 1100241 | Lockwasher, 1/4 | 2 | 70 | 1109653 | Castle Nut, 3/4-16 UNF | 1 |
| 11 | • 1186229 | Hex Nut, 1/4-20 | 2 | 71 | • 1100352 | Cotter Pin, 1/8 x 1 1/2 | 2 |
| 12 | • 1100346 | Cotter Pin, 3/32 x 3/4 | 2 | 72 | 1716504 | Thrust Washer | 1 |
| 13 | 1716530 | Shaft | 1 | 73 | 1186642 | Oil Seal | 1 |
| 14 | 1722003 | Shift Lever | 1 | 74 | 1185645 | Needle Bearing | 1 |
| 15 | 1703616 | Bowed Washer | 1 | 75 | • 1104337 | Square Key, 1/4 x 1/4 x 1-1/2 | 1 |
| 16 | 1713424 | Shifter Shaft | 2 | 76 | 1716503 | Drive Hub | 1 |
| 17 | 1716489 | Shifter Arm | 8 | 77 | 1716519 | Drive Screw | 2 |
| 18 | • 1177625 | Roll Pin, 1/8 x 3/4 | 3 | 78 | 1716692 | Locking Wire | 1 |
| 19 | 1177388 | O-Ring | 3 | 79 | 1716501 | Bevel Gear, 22T | 2 |
| 20 | • 1704692 | Roll Pin, 1/8 x 1 | 5 | 80 | 1716513 | Worm Wheel | 1 |
| 21 | 1713422 | Connector | 2 | 81 | • 1106872 | Capscrew, 5/16-18 x 5/8 | 6 |
| 22 | 1716514 | Shifter Shaft | 1 | 82 | 1713428 | Bottom Cover | 1 |
| 23 | 182682 | Breather | 1 | 83 | 1713427 | Bottom Gasket | 1 |
| 24 | 1185202 | Bearing Cup | 1 | 84 | • 1177567 | Retaining Ring | 2 |
| 25 | 1185201 | Bearing Cone | 1 | 85 | 1713467 | Pinion Shaft | 2 |
| 26 | 1713408 | Worm Shaft | 1 | 86 | 1713466 | Bevel Pinion, 10T | 2 |
| 27 | 1185275 | Bearing Cone | 1 | 87 | 1185638 | Thrust Race | 2 |
| 28 | 1185276 | Bearing Cup | 1 | 88 | 1185639 | Thrust Bearing | 1 |
| 29 | 1713439 | Sliding Gear | 1 | 89 | 1716499 | Shim .005 | As Req'd. |
| 30 | 1713409 | Gear, 38T | 1 | 90 | 1716498 | Shim .0125 | As Req'd. |
| 31 | 1185165 | Needle Bearing | 1 | 91 | 1185644 | Bronze Bearing | 1 |
| 32 | 1891820 | Oil Seal | 1 | 92 | 1105678 | Plug, 3/8 NPT | 2 |
| 33 | 1713597 | Brake Drum | 1 | 93 | 1718067 | Stud | 2 |
| 34 | 1717125 | Input Shaft | 1 | 94 | 1185636 | O-Ring | 1 |
| 35 | 1185633 | Oil Seal | 1 | 95 | 1716494 | Shim .005 | As Req'd. |
| 36 | 1187439 | Retaining Ring | 2 | 96 | 1716493 | Shim .0125 | As Req'd. |
| 37 | 1185634 | Ball Bearing | 2 | 97 | 1185637 | Special Capscrew | 3 |
| 38 | 1712783 | Washer | 6 | 98 | 1716497 | Bearing Cap | 1 |
| 39 | 1185074 | Needle Bearing | 2 | 99 | 1185641 | Thrust Bearing | 1 |
| 40 | 1716477 | Gear and Shaft | 1 | 100 | 1185640 | Thrust Race | 2 |
| 41 | 1716495 | Spacer | 1 | 101 | 1185643 | Oil Seal | 1 |
| 42 | 1716490 | Gear, 19T | 1 | 102 | 1716511 | Wheel Hub | 1 |
| 43 | 1185668 | Retaining Ring | 1 | 103 | • 1120209 | Roll Pin, 3/16 x 3/4 | 1 |
| 44 | • 1185342 | Setscrew, 5/16-18 x 3/8 | 2 | 104 | 1713421 | Pin | 1 |
| 45 | 1713417 | Compression Spring | 2 | 105 | 1713429 | Top Gasket | 1 |
| 46 | 1713416 | Ball | 3 | 106 | 1716507 | Axle | 1 |
| 47 | 1185590 | Hitch Pin | 1 | 107 | 1185295 | Oil Seal | 1 |
| 48 | • 1113527 | Retaining Ring | 2 | 108 | 1713468 | Thrust Washer | 1 |
| 49 | 1716491 | Gear, 28T | 1 | 109 | • 1104336 | Square Key, 1/4 x 1/4 x 1 | 2 |
| 50 | 1185635 | Needle Bearing | 1 | 110 | 1714561 | Coupling | 1 |
| 51 | 1716480 | Gear and Shaft | 1 | 111 | 1714562 | Drive Cone | 1 |
| 52 | 1716492 | Splined Shaft | 1 | 112 | 1714572 | Spring Washer | 4 |
| 53 | • 1118723 | Retaining Ring | 2 | 113 | • 1120129 | Hex Nut, 1/14 UNF | 1 |
| 54 | 1104439 | Ball Bearing | 1 | 114 | 1714564 | Adjusting Nut | 1 |
| 55 | 1118807 | Retaining Ring | 1 | 115 | 1180025 | Retaining Ring | 1 |
| 56 | 1200029 | Expansion Plug | 1 | 116 | 1723559 | Handle Grip | 1 |
| 57 | 1713419 | Reverse Idler Shaft | 1 | 117 | 1185646 | Bronze Bearing | 2 |
| 58 | 1185360 | O-Ring | 1 | NI | 1723456 | E.P. 90 Gear Lube | |
| 59 | 1707546 | Flat Washer | 2 | | | | |
| 60 | 1185113 | Bronze Bearing | 1 | | | | |

*Common Hardware - Purchase Locally (Grade 5 where applicable)

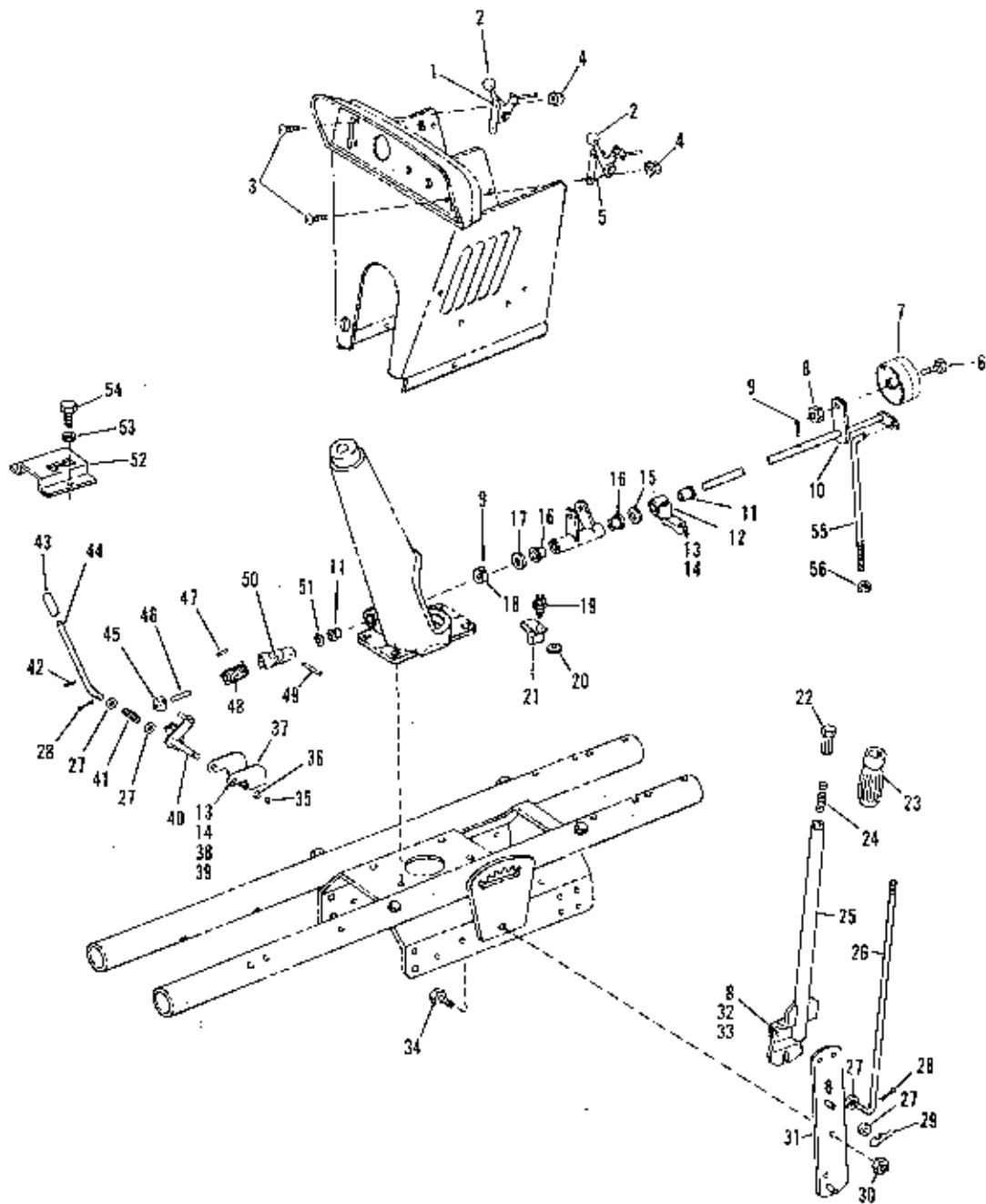


Figure 4 HAND CONTROLS AND LIFT ASSEMBLY

| REF. NO. | PART NO. | DESCRIPTION | NO. REQ'D. | REF. NO. | PART NO. | DESCRIPTION | NO. REQ'D. |
|----------|-----------|---|------------|----------|-----------|--|------------|
| 1 | 1723439 | Choke Control | 1 | 25 | 1714577 | Tool Handle Assembly | 1 |
| 2 | 1725511 | Knob Only (Throttle & Choke) (1). | 2 | 26 | 1714645 | Rod | 1 |
| | 1724527 | Knob Only (Throttle & Choke) (2)(3)(4). | 2 | 27 | • 1107383 | Flat Washer, 3/8 | 4 |
| 3 | • 1116287 | Oval Hd. Phil. Rec. Screw No. 10-24 x 5/8 | 4 | 28 | • 1100346 | Cotter Pin, 3/32 x 3/4 | 2 |
| 4 | • 1185985 | Nut, w/Lockwasher, No. 10-24 | 4 | 29 | • 1703011 | Spring Cotter | 1 |
| 5 | 1723440 | Throttle Control | 1 | 30 | • 1185496 | Self Locking Jam Nut, 1/2-13 | 1 |
| 6 | • 1100086 | Hex Hd. Capscrew, 3/8-16 x 1-3/4 | 1 | 31 | 1714575 | Tool Lift Assembly | 1 |
| 7 | 1716584 | Flat Idler | 1 | 32 | • 1100243 | Lockwasher, 3/8 | 2 |
| 8 | • 1110108 | Self Locking Nut, 3/8-16 | 3 | 33 | • 1100043 | Hex Hd. Capscrew, 3/8-16 x 1-1/4 | 2 |
| 9 | 1704692 | Drive Pin, 1/8 x 1 | 2 | 34 | • 1100067 | Hex Hd. Capscrew, 1/2-13 x 2 | 1 |
| 10 | 1716615 | PTO Control Shaft Assembly (1) | 1 | 35 | 1185257 | Retaining Ring | 2 |
| | 1726541 | PTO Control Shaft Assembly (2)(3)(4) | 1 | 36 | 1714243 | Nylon Bushing | 2 |
| | 1732770 | PTO Control Shaft Assembly (5) | 1 | 37 | 1723381 | PTO Control Support | 1 |
| 11 | 1185647 | Nylon Bearing | 1 | 38 | • 1107382 | Flat Washer, 5/16 | 2 |
| 12 | 1716590 | Idler Shaft Support | 1 | 39 | • 1186230 | Hex Nut, 5/16-18 | 2 |
| 13 | • 1100242 | Lockwasher, 5/16 | 3 | 40 | 1723380 | PTO Control Pivot Assembly | 1 |
| 14 | • 1100044 | Hex Hd. Capscrew, 5/16-18 x 3/4 | 3 | 41 | 1723367 | Compression Spring | 1 |
| 15 | • 1107385 | Flat Washer, 1/2 | 1 | 42 | 1177625 | Drive Pin | 1 |
| 16 | 1715538 | Flange Nyliner | 2 | 43 | 1725523 | Plastic Grip | 1 |
| 17 | • 1890234 | Flat Washer, 1/2 | 1 | 44 | 1723379 | PTO Control Handle | 1 |
| 18 | 1720962 | Interlock Switch Cam (1)(2)(3)(4) | 1 | 45 | 1723368 | Pivot Block | 1 |
| 19 | 1720963 | Interlock Switch (1)(2)(3)(4) | 1 | 46 | 1891696 | Drive Pin | 1 |
| 20 | • 1721070 | Locknut, 9/16-18 (1)(2)(3)(4) | 1 | 47 | 1120210 | Drive Pin, 3/16 x 1 | 1 |
| 21 | 1722717 | Interlock Actuator Spring (1)(2)(3)(4) | 1 | 48 | 1726632 | Spring | 1 |
| 22 | 1714644 | Tool Lift Plunger | 1 | 49 | 1185892 | Drive Pin, 1/8 x 1 | 1 |
| 23 | 1715575 | Tool Lift Grip | 1 | 50 | 1723370 | PTO Control Pivot | 1 |
| 24 | 1713075 | Compression Spring | 1 | 51 | 1706782 | Bowed Washer | 1 |
| | | | | 52 | 1723382 | PTO Lever Quadrant (1)(2)(3)(4) | 1 |
| | | | | | 1735110 | PTO Lever Quadrant (5) | 1 |
| | | | | 53 | • 1187612 | Lockwasher, 1/4 | 2 |
| | | | | 54 | • 1185211 | Thread Cutting Hex Hd. Screw, 1/4-20 x 1/2 | 2 |
| | | | | 55 | 1733075 | Control Rod (5) | 1 |
| | | | | 56 | • 1110106 | Locking Nut, 1/4-20 (5) | 2 |

- (1) Serial Numbers 0100101 thru 0199999
- (2) Serial Numbers 0200101 thru 0299999
- (3) Serial Numbers 0300101 thru 0399999
- (4) Serial Numbers 0400101 thru 0499999
- (5) Starting With Serial Number 0500101

• Common Hardware - Purchase Locally (Grade 5 where applicable)

BOLENS 14 HP TRACTOR

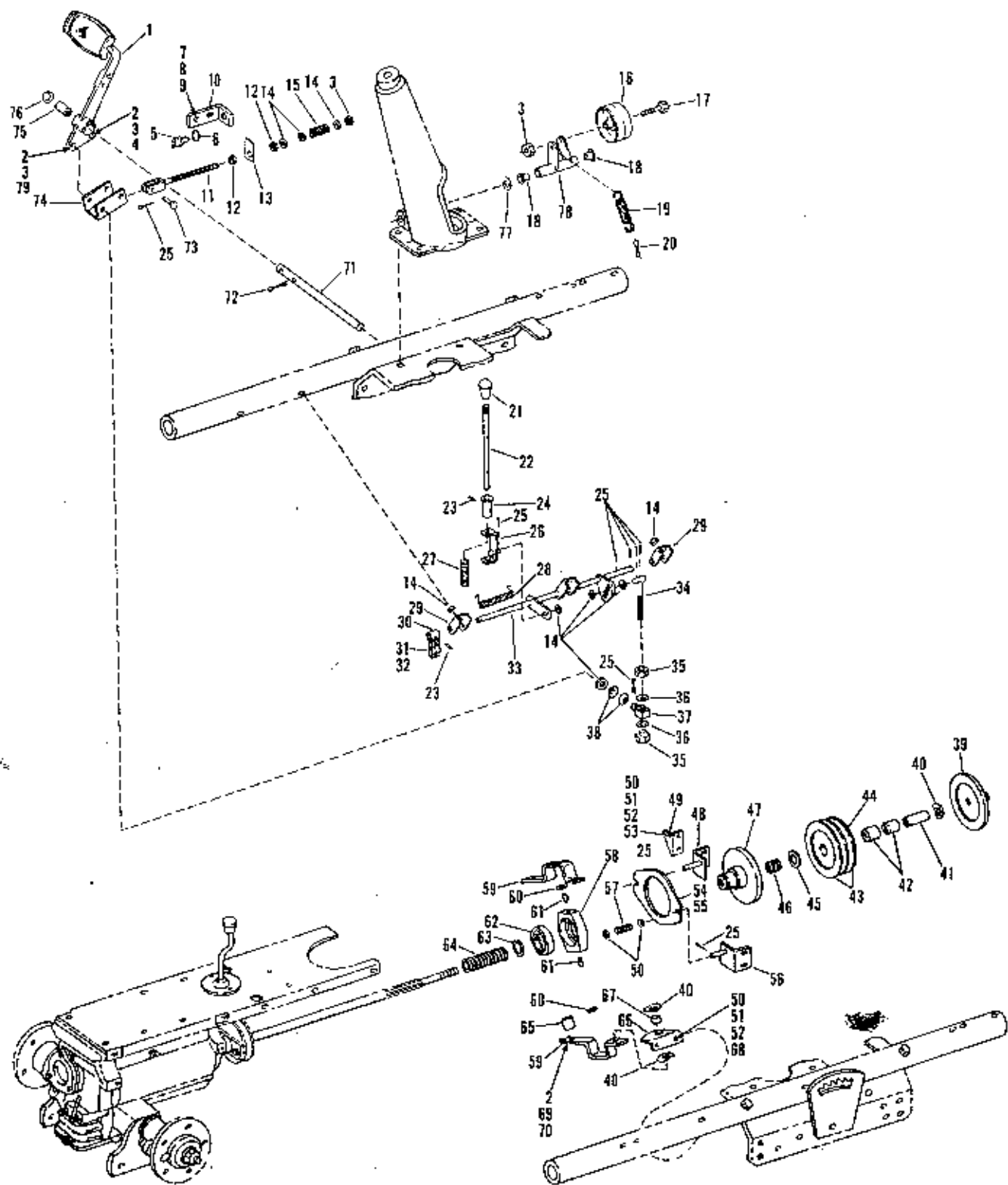


Figure 5 BRAKE AND CLUTCH CONTROL ASSEMBLIES

| REF. NO. | PART NO. | DESCRIPTION | NO. REQ'D. | REF. NO. | PART NO. | DESCRIPTION | NO. REQ'D. |
|----------|-----------|--|------------|----------|-----------|--|------------|
| 1 | 1717372 | Clutch Pedal | 1 | 42 | 1185471 | Needle Bearing | 2 |
| 2 | • 1100243 | Lockwasher, 3/8 | 4 | 43 | 1716599 | Friction Disc | 2 |
| 3 | • 1110108 | Self Locking Nut, 3/8-16 | 4 | 44 | 1717240 | Sheave and Facing Assy. (Incl. Ref. No. 43) | 1 |
| 4 | • 1100046 | Hex Hd. Capscrew, 3/8-16 x 1 | 1 | 45 | 1185432 | Thrust Race | 1 |
| 5 | 1720963 | Interlock Switch | 1 | 46 | 1716583 | Compression Spring | 1 |
| 6 | • 1185844 | Shakeproof Washer, 9/16 | 1 | 47 | 1716596 | Clutch Flange | 1 |
| 7 | • 1111683 | Hex Hd. Capscrew, 1/4-28 x 1/2 | 2 | 48 | 1716638 | L.H. Bracket Assembly | 1 |
| 8 | • 1100241 | Lockwasher, 1/4 | 2 | 49 | 1716586 | Clutch Pedal Stop | 1 |
| 9 | • 1107381 | Flat Washer, 1/4 | 2 | 50 | • 1107382 | Flat Washer, 5/16 | 6 |
| 10 | 1722730 | Switch Support | 1 | 51 | • 1110107 | Self Locking Nut, 5/16-18 | 6 |
| 11 | 1716582 | Clutch Rod Assembly | 1 | 52 | • 1100242 | Lockwasher, 5/16 | 10 |
| 12 | • 1186259 | Half Hd. Hex Nut, 3/8-16 | 2 | 53 | • 1100045 | Hex Hd. Capscrew, 5/16-18 x 1 | 4 |
| 13 | 1722729 | Spring Actuator | 1 | 54 | 1716618 | Brake Plate Assembly (Incl. Ref. No. 55) | 1 |
| 14 | • 1107383 | Flat Washer, 3/8 | 9 | 55 | 1716599 | Friction Disc Only | 1 |
| 15 | 1714655 | Spring | 1 | 56 | 1716637 | R.H. Bracket Assembly | 1 |
| 16 | 1716584 | Flat Idler | 1 | 57 | 1713167 | Compression Spring | 2 |
| 17 | • 1100086 | Hex Hd. Capscrew, 3/8-16 x 1-3/4 | 1 | 58 | 1714639 | Bearing Retainer | 1 |
| 18 | 1715538 | Flange Nyliner | 2 | 59 | 1714666 | Clutch Yoke | 2 |
| 19 | 1716728 | Extension Spring | 1 | 60 | 121900 | Bowed Washer | 2 |
| 20 | • 1185584 | Cotter Pin, 3/16 x 3/4 | 1 | 61 | 1110202 | Dowel Pin | 2 |
| 21 | 1726130 | Knob Control | 1 | 62 | 1704479 | Bearing | 1 |
| 22 | 1716717 | Parking Brake Rod | 1 | 63 | 1113526 | Retaining Ring | 1 |
| 23 | 1177625 | Drive Pin, 1/8 x 3/4 | 2 | 64 | 1714649 | Spring | 1 |
| 24 | 1716718 | Parking Brake Stop | 1 | 65 | 1714665 | Spacer | 1 |
| 25 | • 1100346 | Cotter Pin, 3/32 x 3/4 | 9 | 66 | 1714666 | Yoke Support | 1 |
| 26 | 1716716 | Spring Bracket Assembly | 1 | 67 | 1714664 | Spacer | 1 |
| 27 | 1716724 | Compression Spring | 1 | 68 | • 1100044 | Hex Hd. Capscrew, 5/16-18 x 3/4 | 2 |
| 28 | 1721253 | Torsion Spring | 1 | 69 | • 1100047 | Hex Hd. Capscrew, 3/8-16 x 1-1/2 | 2 |
| 29 | 1713772 | Brake Rod Bracket | 2 | 70 | • 1110108 | Self Locking Nut, 3/8-14 | 2 |
| 30 | 1713780 | Brake Shoe Assembly (Incl. Ref. Nos. 31 & 32) | 1 | 71 | 1714840 | Cross Shaft | 1 |
| 31 | 1713777 | Lining Only | 1 | 72 | • 1100350 | Cotter Pin, 1/8 x 1 | 2 |
| 32 | 1185670 | Rivet | 2 | 73 | • 1112587 | Clevis Pin, 3/8 | 1 |
| 33 | 1716723 | Brake Rod Assembly | 1 | 74 | 1717268 | Lug | 1 |
| 34 | 1716719 | Brake Rod | 1 | 75 | 1185582 | Sleeve Bearing | 1 |
| 35 | • 1186231 | Hex Nut, 3/8-16 | 2 | 76 | • 1705092 | Flat Washer | 1 |
| 36 | • 1103995 | Shakeproof Washer, 3/8 | 2 | 77 | • 1890234 | Flat Washer, 1/2 | 1 |
| 37 | 1714663 | Pivot Block | 1 | 78 | 1716576 | Idler Arm Assembly | 1 |
| 38 | 1703616 | Bowed Washer | 2 | 79 | • 1117713 | Mach. Screw No. 10-24 x 7/8 | 1 |
| 39 | 1716598 | Clutch Flange | 1 | | | | |
| 40 | 1713122 | Bowed Washer | 3 | | | | |
| 41 | 1717238 | Special Spacer | 1 | | | | |

• Common Hardware - Purchase Locally (Grade 5 where applicable)

BOLENS 14 HP TRACTOR

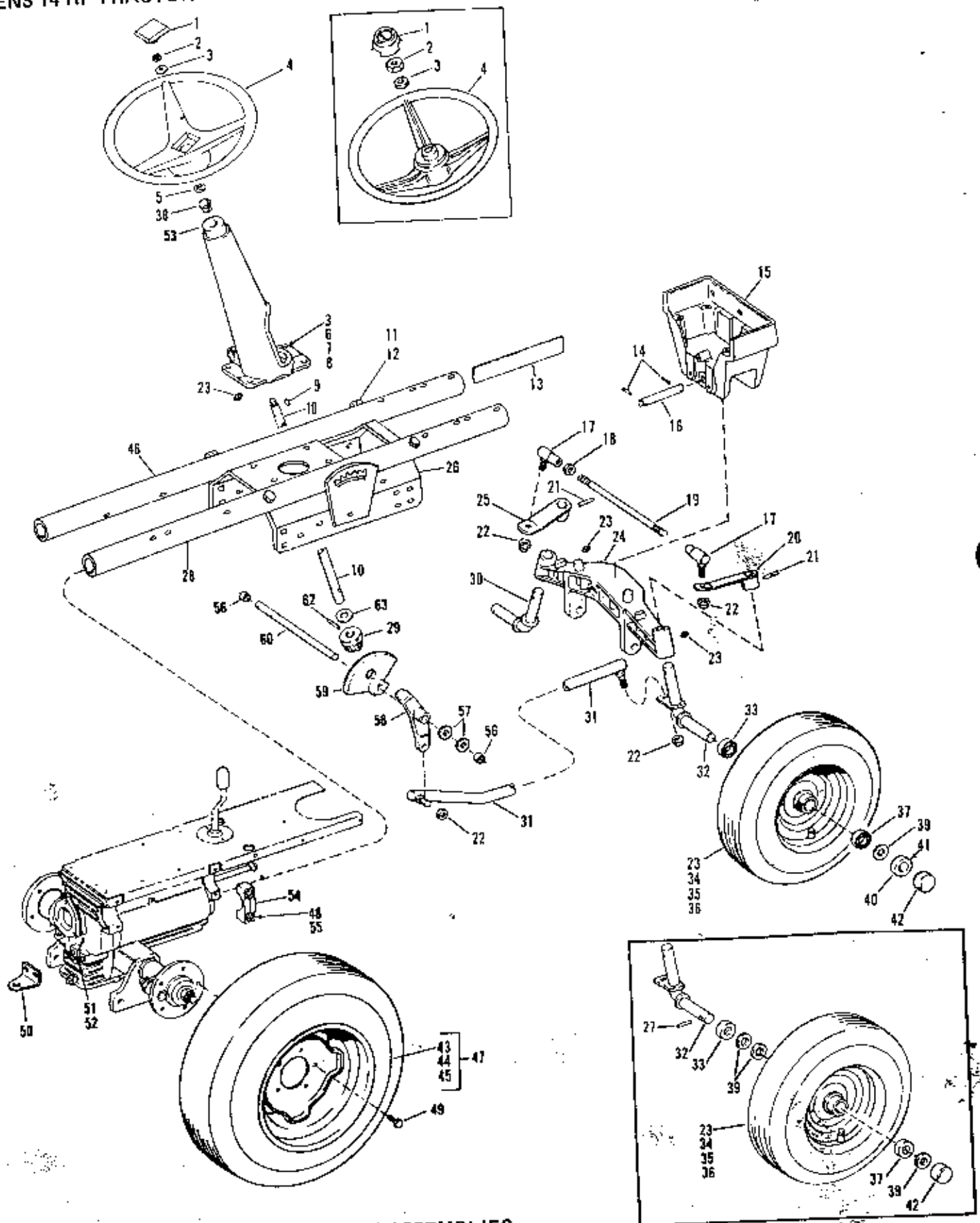


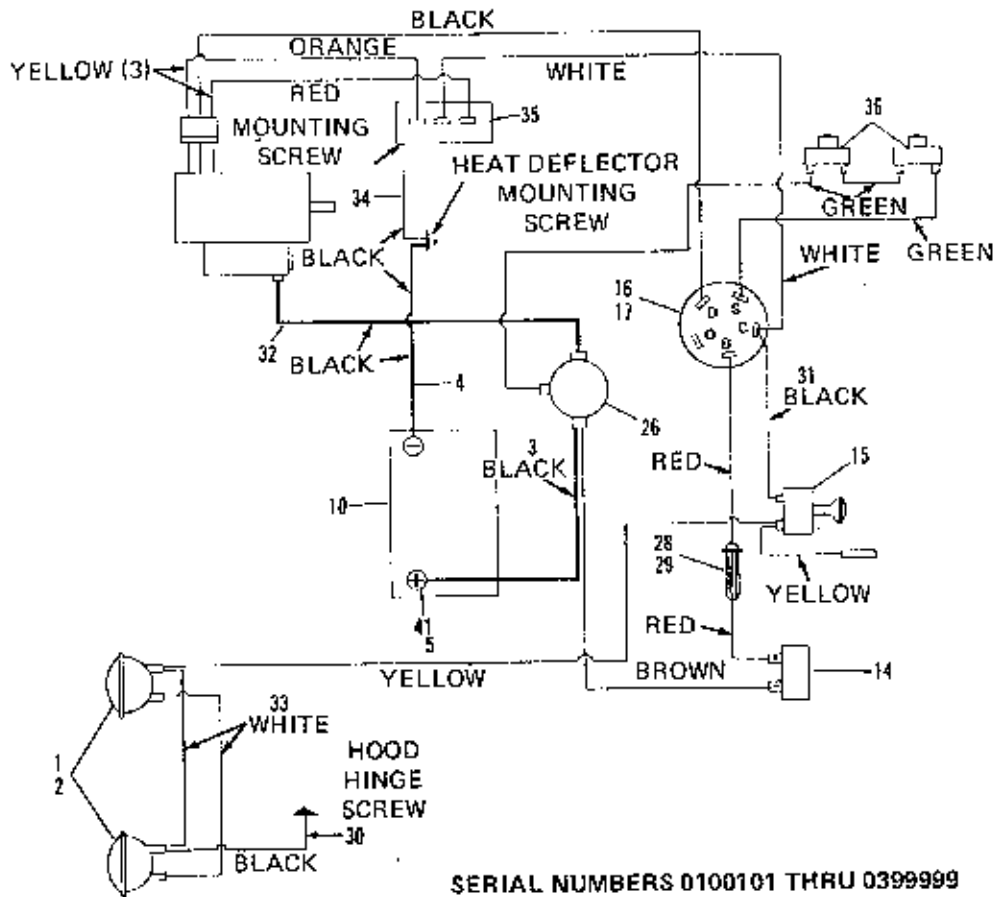
Figure 6 FRAME, STEERING AND AXLE ASSEMBLIES

| REF. NO. | PART NO. | DESCRIPTION | NO. REQ'D. | REF. NO. | PART NO. | DESCRIPTION | NO. REQ'D. |
|----------|-----------|---|------------|----------|-----------|---|------------|
| 1 | 1727415 | Steering Wheel Cap (1)(2)(3) | 1 | 40 | 1716197 | Wheel Retaining Collar (1)(2)(3) | 2 |
| | 1731551 | Steering Wheel Cap (4) | 1 | 41 | • 1187857 | Hex Hd. Capscrew, 1/4-20 (1)(2)(3) | 2 |
| 2 | • 1110108 | Locknut, 3/8-16 | 1 | 42 | 1715899 | Dust Cap, 1-1/2 I.D. | 2 |
| 3 | • 1107383 | Flat Washer, 3/8 | 5 | | 1721245 | Dust Cap, 1-5/8 I.D. | 2 |
| 4 | 1721805 | Steering Wheel (1)(2)(3) | 1 | 43 | 1716011 | Valve Stem Assy., (1)(2)(3) | 2 |
| | 1731552 | Steering Wheel (4) | 1 | | 1718086 | Valve Stem Assy., (4) | 2 |
| 5 | 1713122 | Bowed Washer | 1 | 44 | 1722522 | Tubeless Tire, 23 x 10.50-12 (1) | 2 |
| 6 | • 1186231 | Hex Nut, 3/8-16 | 4 | | 1728656 | Tubeless Tire, 23 x 9.50-12 (2)(3) | 2 |
| 7 | • 1100243 | Lockwasher, 3/8 | 4 | | 1732928 | Tubeless Tire, 23 x 10.50-12 (4) | 2 |
| 8 | • 1100043 | Hex Hd. Capscrew, 3/8-16 x 1-1/4 | 4 | | 1734884 | Tubeless Tire, 23 x 10.50-12 (5) | 2 |
| 9 | • 1104436 | Woodruff Key, 3/16 x 3/4 | 1 | 45 | 1715787 | Wheel Only | 2 |
| 10 | 1717269 | Steering Shaft | 1 | 46 | 1722015 | L.H. Tube Frame | 1 |
| 11 | • 1100770 | Hex Hd. Capscrew, 3/8-16 x 2-3/4 | 4 | | | MODEL 18834 AGR. TIRE KIT | |
| 12 | • 1110108 | Self Locking Nut, 3/8-16 | 4 | 47 | 1715787 | Wheel Assembly | 2 |
| 13 | 1723711 | Frame Reinforcement | 4 | | 1718086 | Valve | 2 |
| 14 | 1185232 | Drive Pin, 3/16 x 1-1/4 | 2 | | 1723199 | Tire, 23 x 10.50-12 | 2 |
| 15 | 1717270 | Axle Support | 1 | | | MODEL 18835 LAWN & GARDEN TIRE KIT | |
| 16 | 1713383 | Axle Pivot | 1 | 48 | • 1103995 | Shakeproof Washer (4)(5) | 8 |
| 17 | 1713361 | Ball Joint | 2 | 49 | 101085 | Hub Bolt | 10 |
| 18 | • 1186214 | Jam Nut, 1/2-20 | 1 | 50 | 1714101 | Hitch | 1 |
| 19 | 1713386 | Tie Rod | 1 | 51 | • 1100245 | Lockwasher, 1/2 | 2 |
| 20 | 1723355 | R.H. Tie Rod Arm Assy. | 1 | 52 | • 1186233 | Hex Nut, 1/2-13 | 2 |
| 21 | 1891696 | Drive Pin, 5/16 x 1-1/2 | 2 | 53 | 1717258 | Steering Support | 1 |
| 22 | • 1110152 | Self Locking Nut, 1/2-20 | 4 | 54 | 1713461 | Mounting Cap (1)(2)(3) | 4 |
| 23 | 1185976 | Grease Fitting | 3 | | 1731869 | Mounting Cap (4) | 4 |
| 24 | 1723343 | Front Axle | 1 | 55 | • 1100086 | Hex Hd. Capscrew, 3/8-16 x 1-3/4 (1)(2)(3) | 8 |
| 25 | 1723354 | L.H. Tie Rod Arm Assy. | 1 | | • 1100047 | Hex Hd. Capscrew, 3/8-16 x 1-1/2 (4)(5) | 8 |
| 26 | 1717315 | Mounting Plate Assy. | 1 | 56 | 1185558 | Sleeve Bearing | 2 |
| 27 | • 1185348 | Roll Pin, 1/4 x 1-1/4 | 2 | 57 | • 1705092 | Flat Washer | 2 |
| 28 | 1722014 | R.H. Tube Frame | 1 | 58 | 1716563 | Steering Arm | 1 |
| 29 | 1713811 | Steering Pinion | 1 | 59 | 1713809 | Steering Gear | 1 |
| 30 | 1723346 | L.H. Spindle Assy. | 1 | 60 | 1714840 | Cross Shaft | 1 |
| 31 | 1717462 | Drag Link | 1 | 61 | 1185284 | Drive Pin, 1/4 x 2 | 1 |
| 32 | 1723345 | R.H. Spindle Assy. | 1 | 62 | • 1708012 | Flat Washer | 1 |
| 33 | 1185616 | Ball Bearing with Seal. | 2 | | | | |
| 34 | 1715855 | Valve Stem Assy. (1)(2)(3) | 2 | | | | |
| | 1718086 | Valve (4)(5) | 2 | | | | |
| 35 | 1715789 | Wheel (Incl. Ref. No. 23) | 2 | | | | |
| 36 | 1732927 | Tire, 16 x 6.50-8 (1)(2)(3)(4) | 2 | | | | |
| | 1726307 | Tire, 16 x 6.50-8 (5) | 2 | | | | |
| 37 | 1185615 | Ball Bearing (4)(5) | 2 | | | | |
| 38 | 1717263 | Bearing | 1 | | | | |
| 39 | • 121898 | Washer (1)(2)(3) | 4 | | | | |
| | • 1700821 | Washer (4)(5) | 6 | | | | |

- (1) Serial Numbers 0100101 thru 0199999
- (2) Serial Numbers 0200101 thru 0299999
- (3) Serial Numbers 0300101 thru 0399999
- (4) Serial Numbers 0400101 thru 0499999
- (5) Starting With Serial Number 0500101

•Common Hardware - Purchase Locally (Grade 5 where applicable)

BOLENS 14 HP TRACTOR



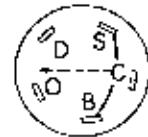
**IGNITION SWITCH
VIEWED FROM REAR**



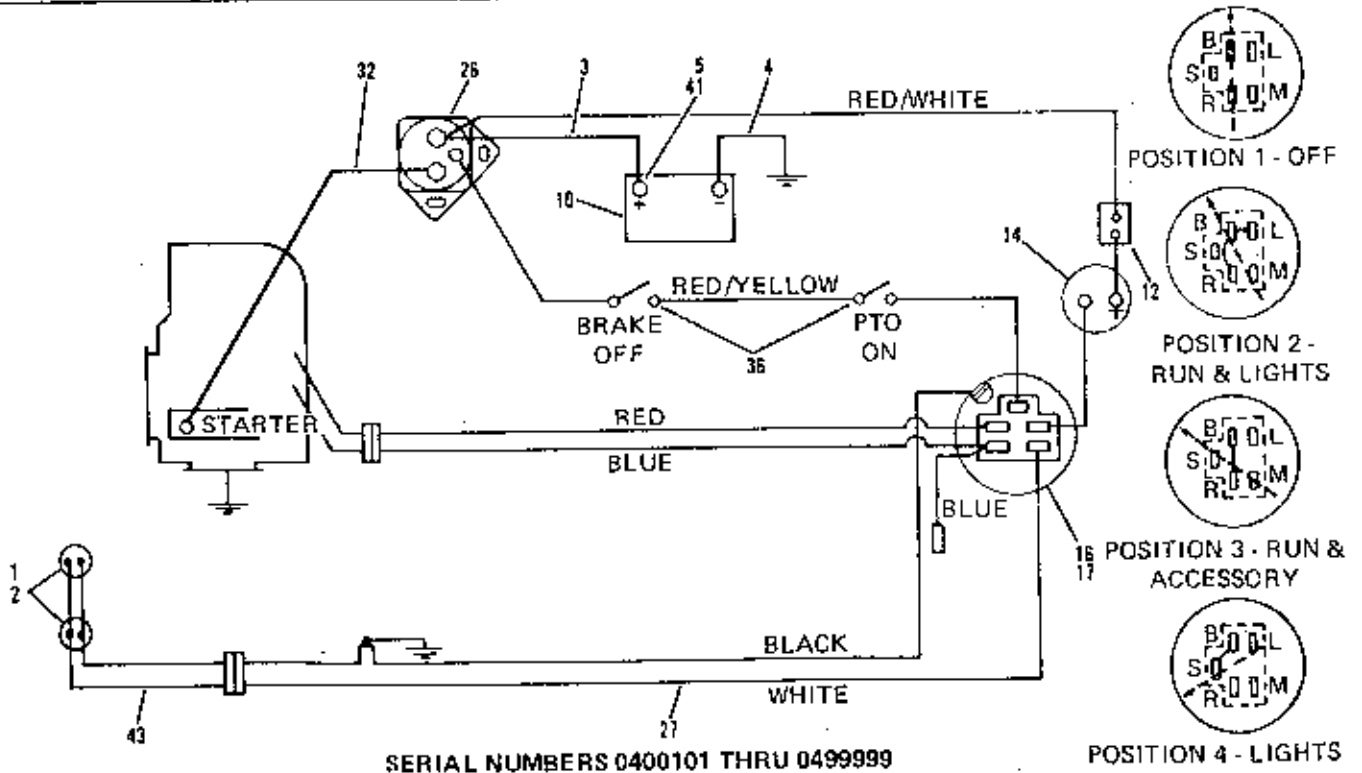
POSITION 1 - OFF



**POSITION 2 - RUN &
ACCESSORY**



POSITION 3 - START



POSITION 1 - OFF



**POSITION 2 -
RUN & LIGHTS**



**POSITION 3 - RUN &
ACCESSORY**



POSITION 4 - LIGHTS

Figure 7 WIRING DIAGRAMS

IGNITION SWITCH
VIEWED FROM REAR

POSITION 1
OFF



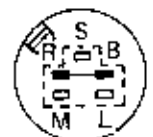
G-M-L

POSITION 2
RUN-LIGHTS



R-B-L

POSITION 3
RUN

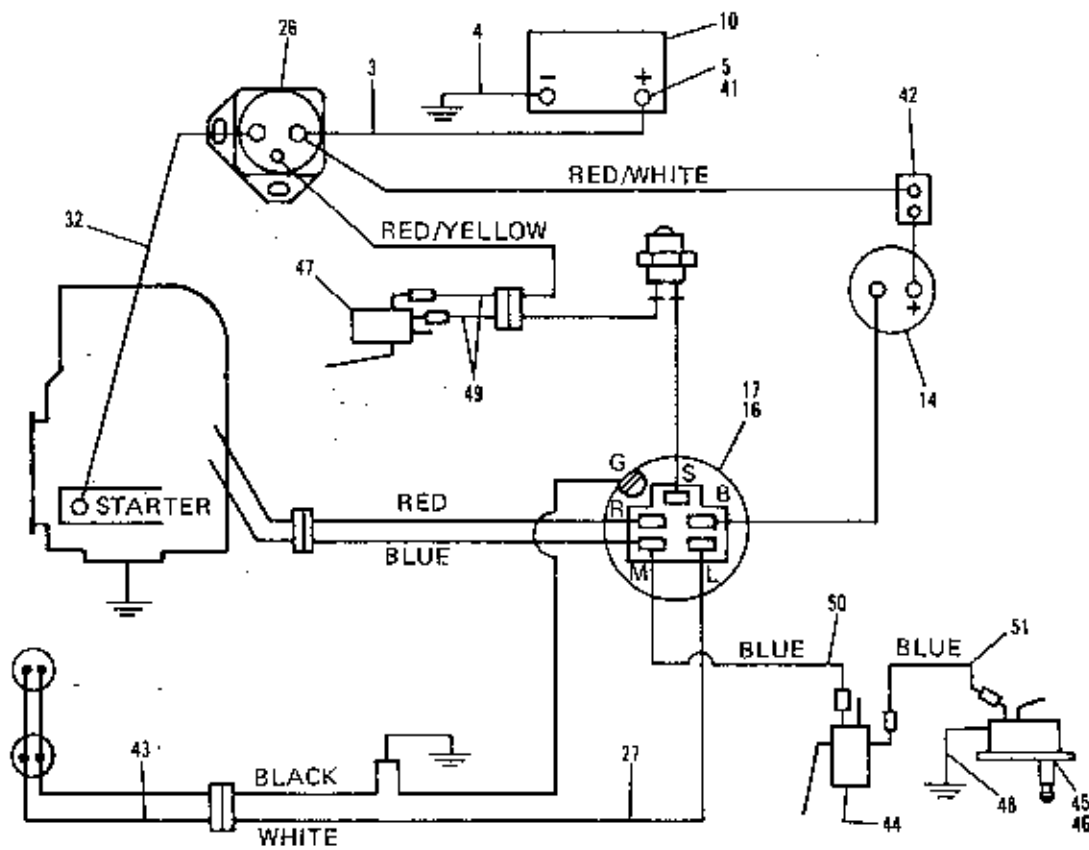


R-B

POSITION 4
START



S-B



STARTING WITH SERIAL NO. 0500101

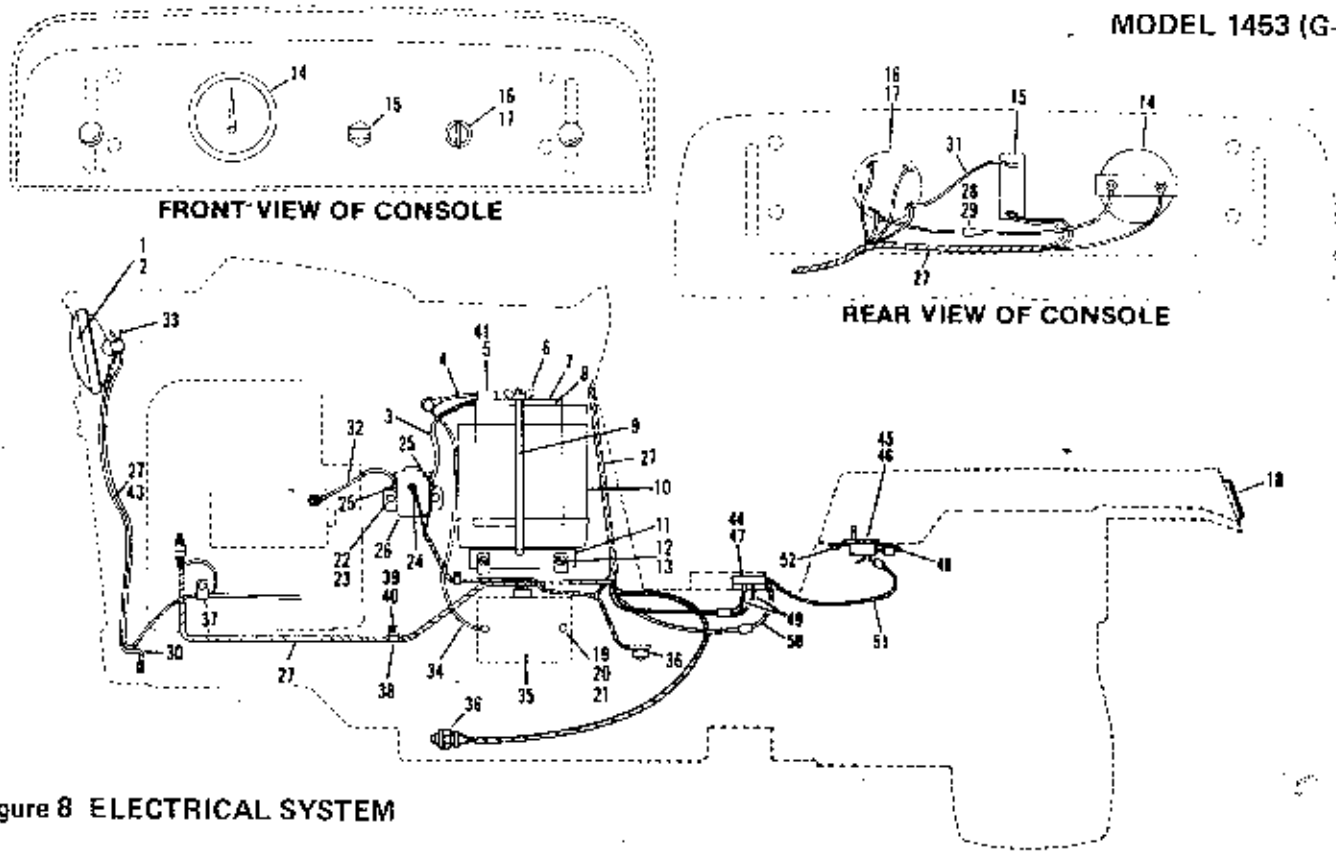


Figure 8 ELECTRICAL SYSTEM

| REF. NO. | PART NO. | DESCRIPTION | NO. REQ'D. | REF. NO. | PART NO. | DESCRIPTION | NO. REQ'D. |
|----------|-----------|---|------------|----------|-----------|---|------------|
| 1 | * | Headlight Bulb (4406-1) | 2 | 27 | 1723526 | Wiring Harness (1)(2) | 1 |
| 2 | 1806808 | Retainer | 2 | | 1729522 | Wiring Harness (3) | 1 |
| 3 | 1719510 | Battery Lead (Positive) | 1 | | 1733048 | Wiring Harness (4)(5) | 1 |
| 4 | 1718636 | Battery Lead (Ground) | 1 | 28 | 1722088 | Fuse Holder (1)(2)(3) | 1 |
| 5 | 1721413 | Battery Terminal Boot | 1 | 29 | 1720976 | Fuse, 20 Amp (1)(2) | 1 |
| 6 | 1709652 | Wing Nut, 1/4-20 | 2 | | 1729529 | Fuse, 30 Amp (3) | 1 |
| 7 | 1724058 | Battery Instruction Decal | 1 | 30 | 1717394 | Headlight Lead (1)(2)(3) | 2 |
| 8 | 1720538 | Battery Clamp | 2 | 31 | 1722063 | Lead Wire (1)(2)(3) | 1 |
| 9 | 1718108 | Battery Clamp Rod | 2 | 32 | 1723708 | Lead Wire (1)(2)(3)(4) | 1 |
| 10 | 1718027 | Battery 12V 45 Amp | 1 | | 1722466 | Lead Wire (5) | 1 |
| 11 | 1718111 | Battery Carrier | 1 | 33 | 1717370 | Headlight Lead (1)(2)(3) | 2 |
| 12 | • 1185872 | Truss Hd. Screw, 5/16-18 x 5/8 | 4 | 34 | 1719511 | Lead Wire (1)(2)(3) | 1 |
| | | | | 35 | ** | Regulator Rectifier (1)(2)(3) | 1 |
| 13 | • 1185873 | Tinnerman Nut, 5/16-18 | 4 | 36 | 1720063 | Interlock Switch | 2 |
| 14 | 1725031 | Ammeter (1)(2) | 1 | 37 | 1721037 | Insulated Clip | 1 |
| 15 | 1725644 | Light Switch (1)(2)(3) | 1 | 38 | 1721252 | Clip | 2 |
| 16 | 1722275 | Ignition Switch (Incl. Ref. No. 17) (1)(2)(3) | 1 | 39 | • 1115931 | Phillips Screw, 1/4-20 x 3/4 | 2 |
| | 1726189 | Ignition Switch (Incl. Ref. No. 17) (4) | 1 | 40 | • 1110106 | Self Locking Nut, 1/4-20 | 2 |
| 17 | 1718266 | Key Only | 1 | 41 | 1805345 | Cable Tie (3)(4)(5) | 1 |
| 18 | 1725615 | Reflector | 2 | 42 | 1729914 | Circuit Breaker (4)(5) | 1 |
| 19 | • 1115935 | Phillips Screw, 1/4-20 x 3/4 (1)(2)(3) | 2 | 43 | 1727169 | Headlight Harness (4)(5) | 1 |
| 20 | • 1186229 | Hex Nut, 1/4-20 (1)(2)(3) | 2 | 44 | 1728199 | Interlock Switch (5) | 1 |
| 21 | • 1100241 | Lockwasher, 1/4 (1)(2)(3) | 2 | 45 | 1734366 | Switch (5) | 1 |
| 22 | • 1115931 | Round Head Screw | 2 | 46 | 1734472 | Switch Seal (5) | 1 |
| 23 | • 1185893 | Speed Nut | 2 | 47 | 1732436 | Interlock Switch (5) | 1 |
| 24 | • 1186208 | Hex Nut, No. 10-32 (1)(2)(3) | 1 | 48 | 1734613 | Lead Wire (5) | 1 |
| 25 | • 1186230 | Hex Nut, 5/16-18 (1)(2)(3) | 2 | 49 | 1735116 | Lead 14-1/2" (5) | 2 |
| 26 | 1717048 | Solenoid (1)(2)(3) | 1 | 50 | 1735118 | Lead 25" (5) | 1 |
| | 1729547 | Solenoid (4)(5) | 1 | 51 | 1735119 | Lead 20" (5) | 1 |
| | | | | 52 | • 1186230 | Hex Nut, 5/16 18 (5) | 1 |

* Not Stocked. Purchase from your local automotive or electrical supplier.
 ** Purchase from your Tecumseh, Lauson-Power Products Parts Outlet.
 • Common Hardware - Purchase Locally (Grade 5 where applicable)