

---

# **Bolens<sup>®</sup>**

**Tractor  
17 HP**

**Model 1666 (QT-17)**

Serial Numbers 0600101  
thru 1099999

**Parts List**

BOLENS 17 HP TRACTOR

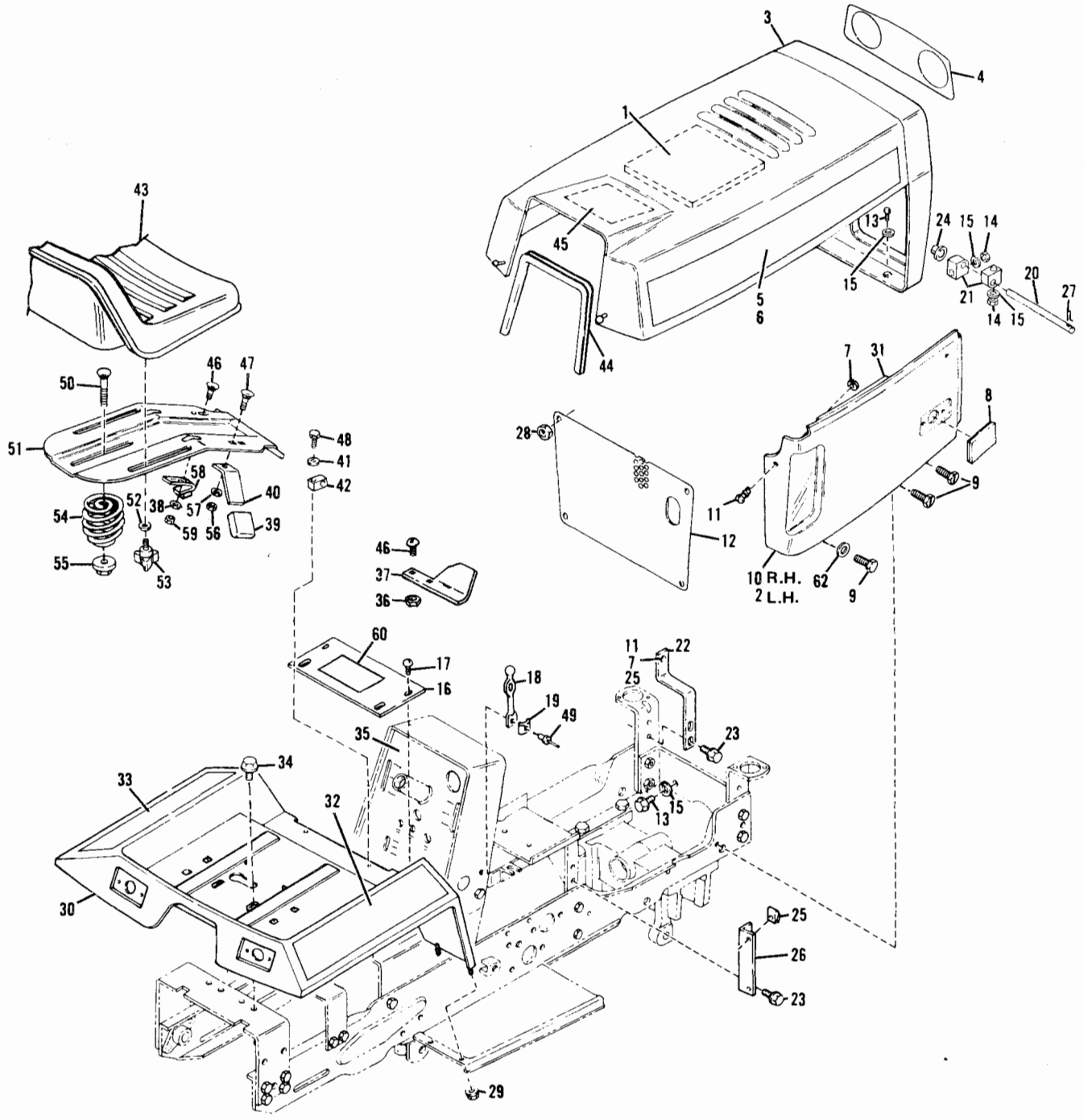


Figure 1 TRIM ASSEMBLY  
2

REF. NO.	PART NO.	DESCRIPTION	NO. REQ'D.	REF. NO.	PART NO.	DESCRIPTION	NO. REQ'D.
1	1736588	Acoustical Foam . . . . .	1	34	•	Flange Lock Screw, 5/16-18 x 1/2 . . . . .	2
2	1724854	L.H. Side Panel (1)(2) . . . . .	1	35	1736291	(Instrument Panel) Decal (1)(2) . . . . .	1
	1742142	L.H. Side Panel (3) . . . . .	1		1741446	(Instrument Panel) Decal (3)	1
3	1736201	Grille and Hood Assy. . . . .	1	36	•	Flange Nut, 1/4-20 . . . . .	2
4	1736202	Decal . . . . .	1	37	1736449	Guard . . . . .	1
5	1736197	Decal, R.H. (Identification) . . . . .	1	38	•	Lockwasher, 1/4 . . . . .	1
6	1736196	Decal, L.H. (Identification) . . . . .	1	39	1735054	Handle Grip (1)(2) . . . . .	1
7	1725410	Stud Retainer (1)(2) . . . . .	4	40	1735517	Seat Support Stand (1)(2) . . . . .	1
8	1725489	Reflector (1)(2) . . . . .	2	41	•	Lockwasher, 5/16 . . . . .	2
9	• 1724492	Slotted Hex Screw, 1/4-20 x 1/2 . . . . .	6	42	1735265	Pivot Block . . . . .	2
10	1724853	R.H. Slide Panel (1)(2) . . . . .	1	43	1733027	Seal . . . . .	1
	1742141	R.H. Slide Panel (3) . . . . .	1	44	1726932	Hood Trim . . . . .	1
11	1725409	1/4 Turn Stud (1)(2) . . . . .	4	45	1733889	(Service Instrument) Decal (1)(2) . . . . .	1
	1740800	Hex Screw, 1/4-20 x 5/8(3) . . . . .	4		1740977	(Service Instrument) Decal (3) . . . . .	1
12	1736536	Grille Screen (1)(2) . . . . .	1	46	•	Carriage Bolt, 1/4-20 x 1/2 . . . . .	3
	1739112	Grille Screen (3) . . . . .	1	47	•	Round Head Bolt, 5/16-18 x 3/4 (1)(2) . . . . .	1
13	•	Capscrew, 5/16-18 x 1-1/2 . . . . .	4	48	•	Hex Head Capscrew, 5/16-18 x 1-1/2 . . . . .	2
14	•	Hex Nut, 5/16-18 . . . . .	4	49	1728772	Pop Rivet, 3/16 . . . . .	2
15	•	Flat Washer, 5/16 . . . . .	8	50	•	Carriage Bolt, 3/8-16 x 1-1/4 . . . . .	1
16	1727164	Cover . . . . .	1	51	1734115	Seat Support Assy. . . . .	1
17	1185712	Thread Cutting Screw, No. 10-24 x 1/2 . . . . .	2	52	•	Flat Washer, 3/8 . . . . .	2
18	1727127	Latch . . . . .	2	53	1734269	Seat Knob . . . . .	2
19	1727126	Clip . . . . .	2	54	1733960	Spring . . . . .	1
20	1736341	Pivot Rod . . . . .	1	55	1735125	Nut and Washer . . . . .	1
21	1736340	Pivot Block . . . . .	4	56	•	Locknut, 5/16-18 (1)(2) . . . . .	1
22	1727739	Panel Support (1)(2) . . . . .	2	57	1705905	Bowed Washer (1)(2) . . . . .	1
	1740802	Panel Support (3) . . . . .	2	58	1734515	Actuator Bracket . . . . .	1
23	•	Flange Lock Screw, 1/4-20 x 1/2 . . . . .	8	59	•	Hex Nut, 1/4-20 . . . . .	1
24	1728072	Push Nut . . . . .	1	60	1738909	Inst. Decal (3) . . . . .	1
25	1725411	1/4 Turn Receptacle (1)(2) . . . . .	4	61	1185418	Washer (3) . . . . .	4
26	1724890	Rear Panel Support (1)(2) . . . . .	2	62	1742904	Washer, 1/4 (3) . . . . .	2
	1740801	Rear Panel Support (3) . . . . .	2	63	1736449	Guard (3) . . . . .	1
27	•	Cotter Pin, 3/32 x 1/2 . . . . .	1	NI	1735222	Black Spray Paint	
28	•	Flange Nut, No. 10-32 . . . . .	4	NI	1735223	White Spray Paint	
29	•	Flange Nut, 5/16-18 . . . . .	4	NI	1736796	Green Spray Paint	
30	1734530	Rear Fender Assy. . . . .	1				
31	1726212	Accoustical Foam . . . . .	2				
32	1736290	Decal, R.H. (Fender) . . . . .	1				
33	1736289	Decal, L.H. (Fender) . . . . .	1				

• Common Hardware - Purchase Locally (Grade 5 where applicable)

(1) Serial Number 0600101 thru 0699999  
 (2) Serial Number 0700101 thru 0999999  
 (3) Serial Number 1000101 thru 1099999

# BOLENS 17 HP TRACTOR

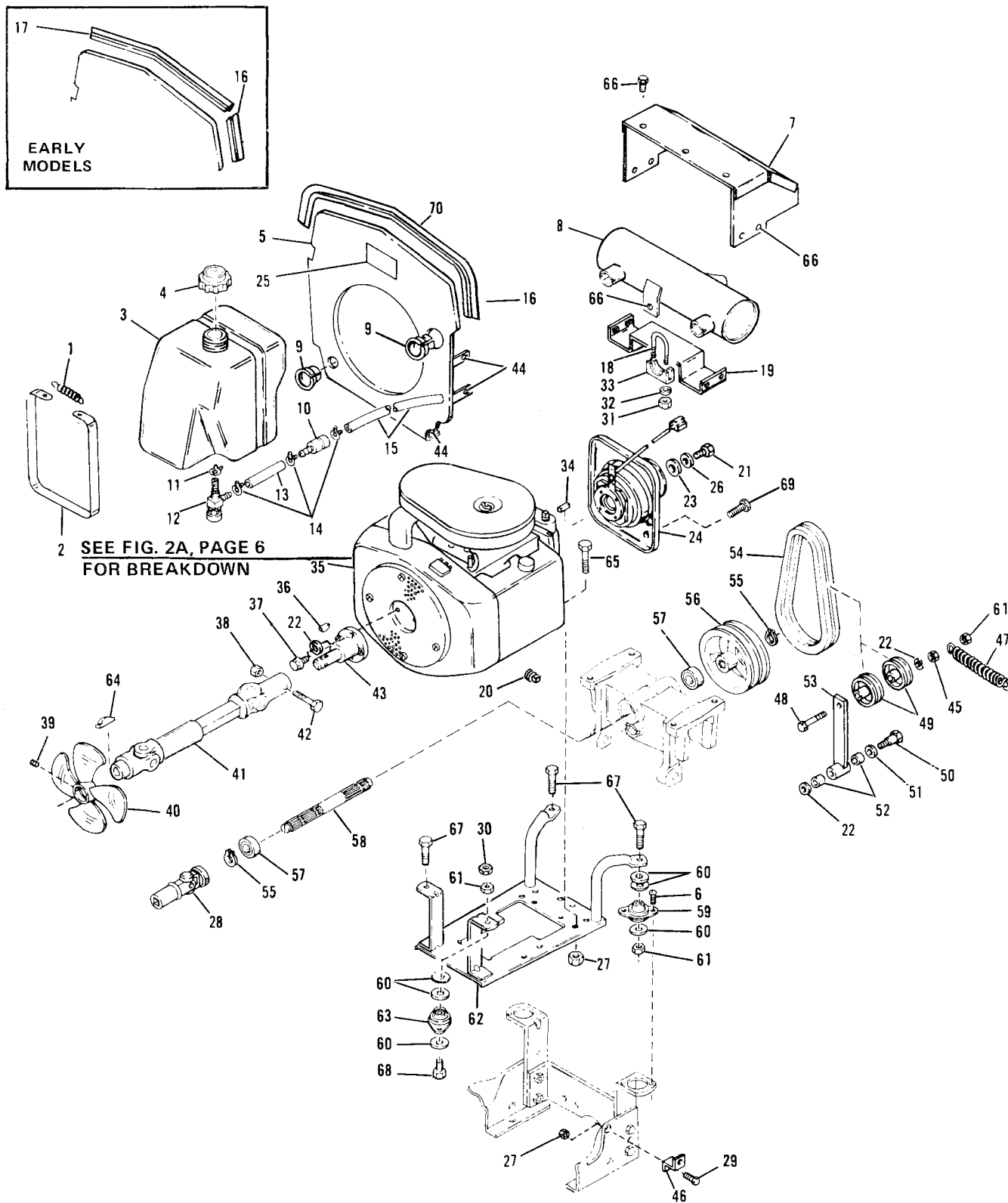


Figure 2 ENGINE AND DRIVE ASSEMBLY

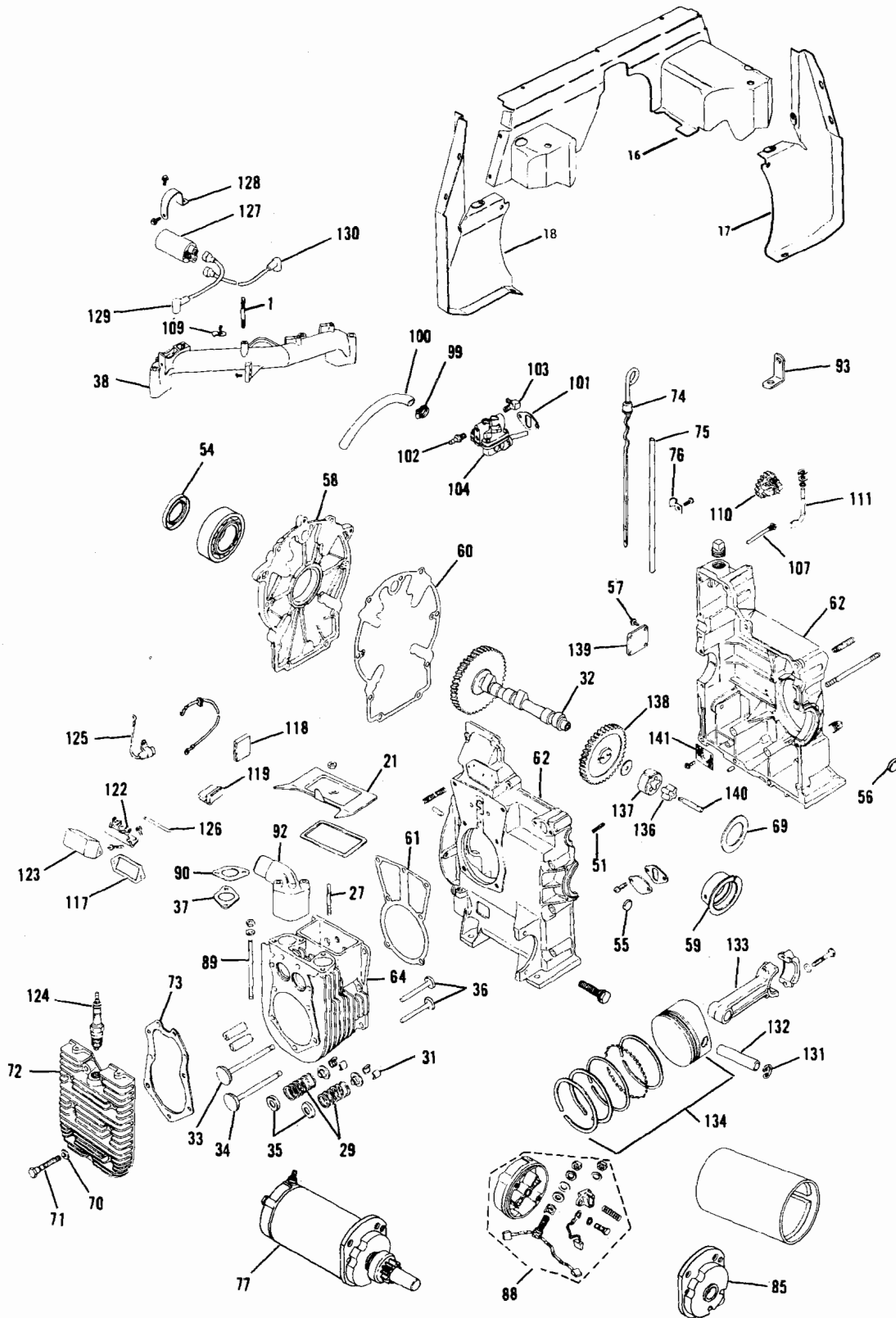
REF. NO.	PART NO.	DESCRIPTION	NO. REQ'D.	REF. NO.	PART NO.	DESCRIPTION	NO. REQ'D.
1	1806648	Spring . . . . .	1	36	1100276	Woodruff Key, 1/4 x 7/8 . .	1
2	1727918	Strap . . . . .	1	37	•	Cap Screw, 3/8-16 x 1 . . . .	4
3	1735065	Fuel Tank (Incl. Ref. No. 4) .	1	38	•	Locknut, 1/4-20 . . . . .	1
4	1725868	Fuel Tank Cap . . . . .	1	39	1737419	Set Screw, 5/16-18 x 3/4 . .	2
5	1735989	Shield Assy. - Heat. . . . .	1	40	1736587	Fan. . . . .	1
6	1185712	No. 8 Self-Tapping Screw . .	8	41	1733845	Drive Shaft. . . . .	1
7	1736280	Shield Assy. - Heat. . . . .	1	42	•	Capscrew, 1/4-20 x 2 . . . . .	1
8	1736467	Muffler . . . . .	1	43	1736100	Drive Shaft. . . . .	1
9	1729587	Snap Bushing . . . . .	2	44	1724492	Thread Cutting Screw, No. 1/4-20 x 1/2 . . . . .	6
10	1727491	Fuel Line Filter. . . . .	1	45	•	Hex Jam Nut, 3/8-16 . . . . .	1
11	1723474	Hose Clamp . . . . .	1	46	1733031	Bracket . . . . .	1
12	1718029	Shut Off Valve . . . . .	1	47	1701322	Extension Spring. . . . .	1
13	1725124	Fuel Line. . . . .	1	48	•	Hex Screw, 3/8-16 x 2-3/4 .	1
14	1718185	Hose Clamp . . . . .	4	49	1727978	Idler Pulley . . . . .	2
15	1736589	Fuel Line. . . . .	1	50	1724730	Shoulder Bolt. . . . .	1
16	1735659	Gasket, Heat Shield (1)(2) . .	2	51	•	Flat Washer, 1/2 . . . . .	1
17	1735609	Gasket, Heat Shield (1)(2) . .	1	52	1185581	Bearing Sleeve. . . . .	2
18	1736160	"U" Bolt, 5/16-18. . . . .	2	53	1733187	Idler Arm Assy. . . . .	1
19	1736348	Shield Assy. - Heat. . . . .	1	54	1736279	PTO Belt (Matched Set of 2)	1
20	1105678	Plug, Sq. Hd. Pipe (Drain) . .	1	55	1185689	Snap Ring . . . . .	2
21	1736485	Capscrew, 7/16-20 x 1-1/4 .	1	56	1725093	PTO Sheave . . . . .	1
22	•	Lockwasher, 3/8 . . . . .	6	57	1725087	Ball Double Seal Bearing. . .	2
23	1736484	Washer (1)(2)(2A) . . . . .	1	58	1725090	PTO Shaft . . . . .	1
	1741801	Washer (3)(3A)(3B) . . . . .	1	59	1724896	Mount. . . . .	2
24	1736520	Clutch Assy. (1)(2A) (3) . . .	1	60	1186047	Flat Washer, 3/8 . . . . .	AR
	1737217	Clutch Assy. (3A)(3B) . . . .	1	61	•	Locknut, 3/8-16 . . . . .	5
25	1736298	Decal (Hot Surface). . . . .	1	62	1735103	Engine Mount Assy. . . . .	1
26	•	Lockwasher, 7/16 . . . . .	1	63	1725856	Mount. . . . .	2
27	•	Flange Lock Nut, 3/8-16. . .	5	64	1200033	Hi-Pro Key, 3/16 x 3/4 (1)(2) . . . . .	1
28	1724836	Universal Joint Assy. . . . .	1		1104436	Woodruff Key, 3/16 x 3/4 (3)	1
29	•	Flange Lock Screw, 3/8-16 x 3/4. . . . .	1	65	•	Flange Lock Screw, 3/8-16 x 1-1/4. . . . .	4
30	•	Hex Nut, 3/8-16 . . . . .	1	66	•	Flange Lock Capscrew, 1/4-20 x 1/2. . . . .	12
31	•	Nut, 5/16-18 . . . . .	4	67	•	Capscrew, 3/8-16 x 2 . . . . .	3
32	•	Lockwasher, 5/16 . . . . .	4	68	•	Capscrew, 3/8-16 x 2-1/4 . .	1
33	1719694	Saddle Clamp . . . . .	2	69	1186359	Flange Screw, 7/16-14 x 3/4 (3). . . . .	4
34	1708034	Key, 1/4 x 1/4 x 1/2 . . . . .	1	70	1739105	Heat Shield Gasket (3) . . . .	1
35	*	Kohler Engine, 17 HP (1)(2) (2A)(3) (Model KT17QS - 24106A) . . . . .	1				
	*	Kohler Engine, 17 HP (3A) (Model KT17QS - 24152)	1				
	*	Kohler Engine, 17 HP (Model KT17QS-24197)(3B)	1				

• Common Hardware - Purchase Locally  
(Grade 5 where applicable)

\*Order Parts From Your Authorized Kohler Engine Dealer

- (1) Serial Number 0600101 thru 0699999
- (2) Serial Number 0700101 thru 0999999
- (2A) Serial Number 0700101 thru 1000127
- (3) Serial Number 1000101 thru 1099999
- (3A) Serial Number 1000128 thru 1001061
- (3B) Serial Number 1001062 thru 1099999

BOLENS 17 HP TRACTOR



KT 17 QS  
KOHLER MODEL KT 17 QS (24106A) S/N 0600101-1000127

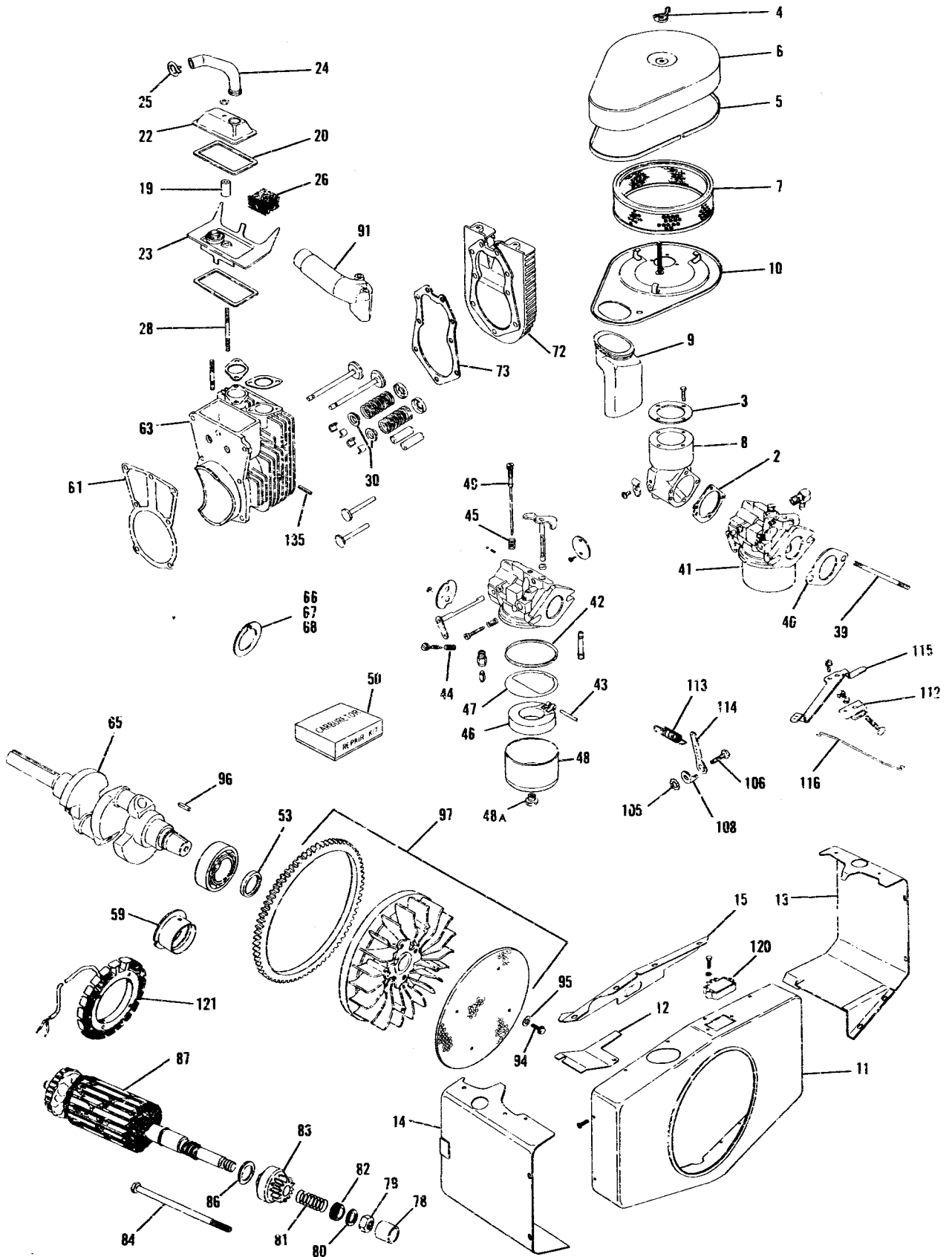


Figure 2A KOHLER ENGINE ASSEMBLY

**BOLENS 17 HP TRACTOR**

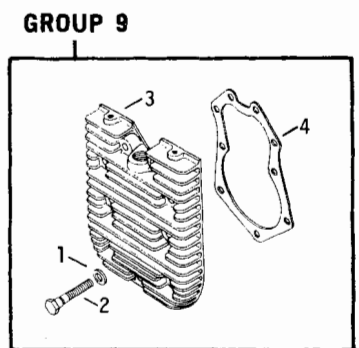
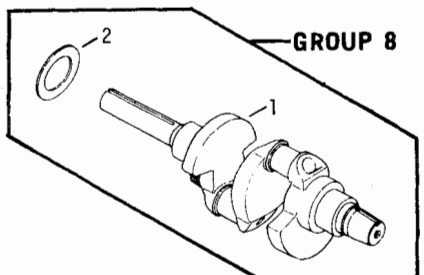
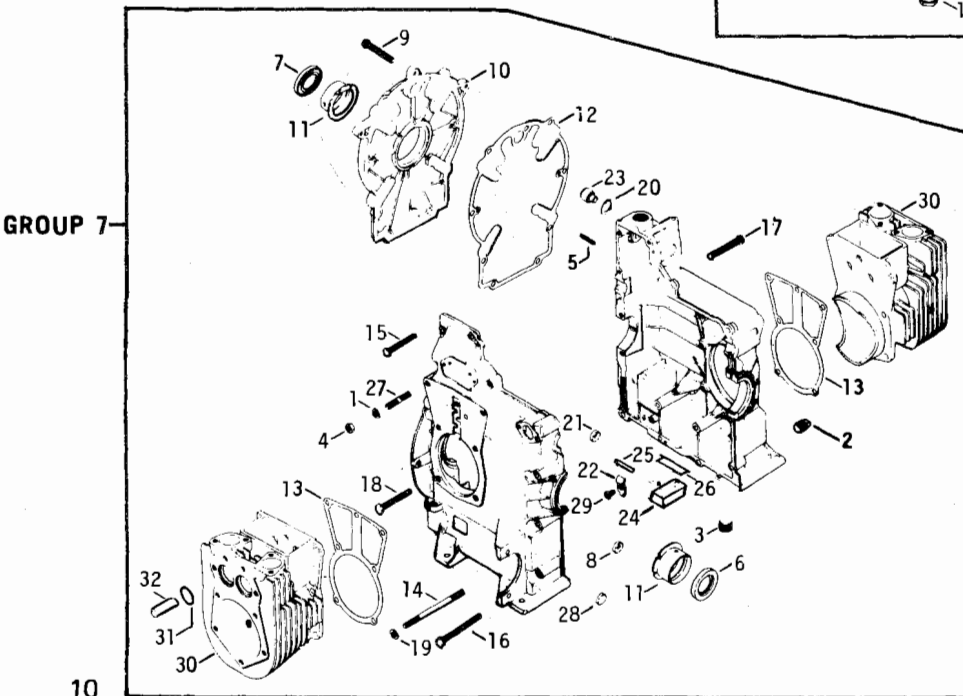
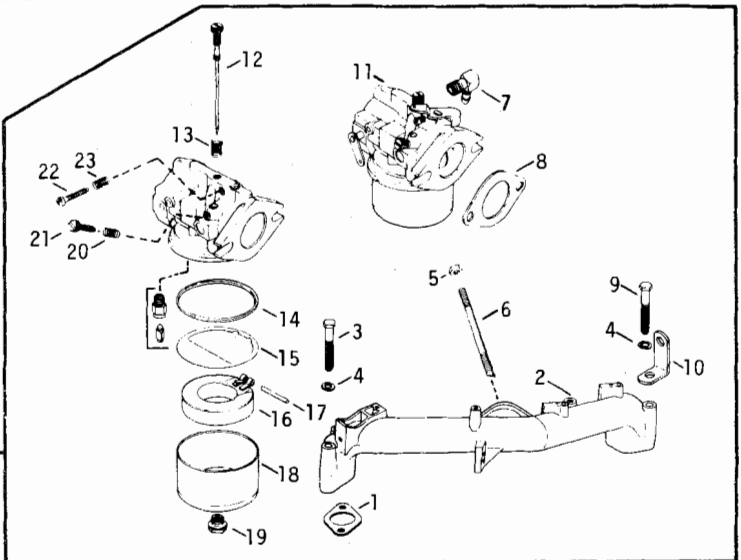
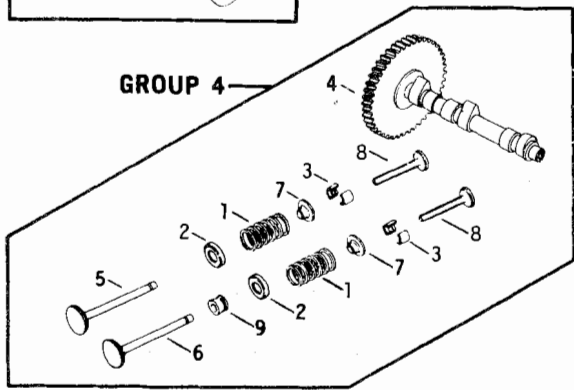
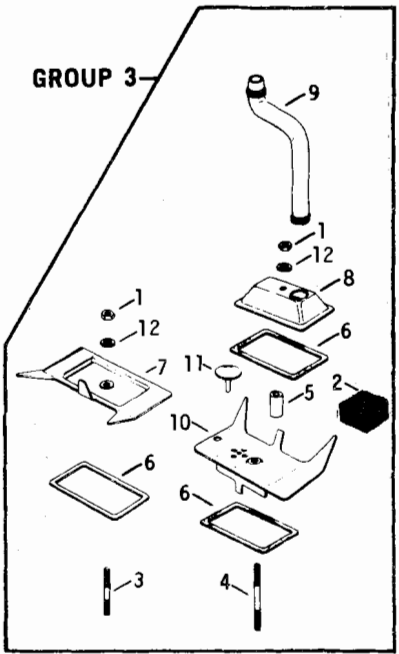
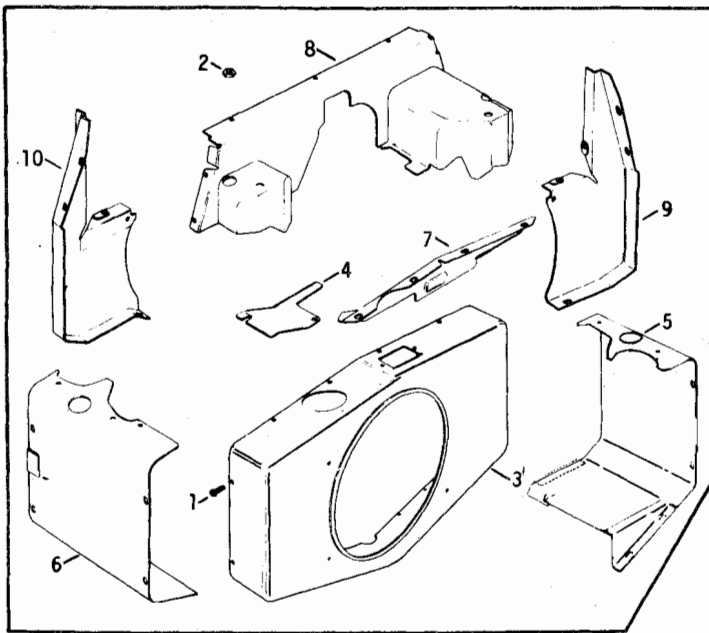
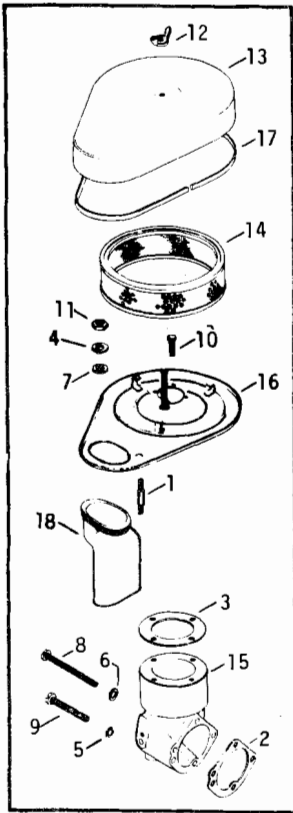
**ORDER PARTS FROM YOUR LOCAL KOHLER ENGINE DEALER**

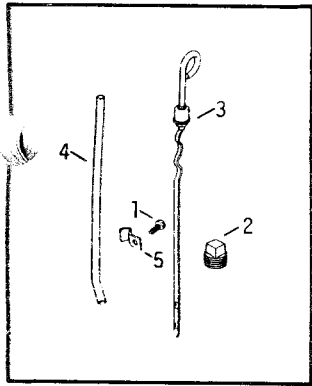
REF. NO.	PART NO.	DESCRIPTION	NO. REQ'D.	REF. NO.	PART NO.	DESCRIPTION	NO. REQ'D.
<b>AIR INTAKE - GROUP 1</b>							
1	220133	Stud, 1/4-20 x 1-7/8 . . . . .		39	X-352-37	Stud, 5/16 x 18 x 1.03 (2) .	
2	277069	Gasket, Elbow . . . . .		40	271030	Gasket, Carburetor . . . . .	
3	277093	Gasket, Air Cleaner . . . . .		41	5205301	Carburetor - Assembly . . . . .	
4	X-276-7	Nut, Wing, 1/4-20 . . . . .		42	200375	Gasket, Bowl . . . . .	
5	4703203	Seal . . . . .		43	200376	Pin, Float Lever . . . . .	
6	4708201	Cover, Air Cleaner . . . . .		44	200380	Spring, Throttle Lever . . . . .	
7	4708301	Element . . . . .		45	200383	Spring, Adj. . . . .	
8	5205408	Elbow, Air Intake . . . . .		46	200408	Float. . . . .	
9	5213401	Tube, Air Intake . . . . .		47	200439	Gasket, Bowl . . . . .	
10	5220101	Base, Air Cleaner . . . . .		48	235448	Bowl. . . . .	
				48A	4710004	Nut, Bowl . . . . .	
<b>BAFFLES &amp; SHROUD - GROUP 2</b>							
				49	5210301	Needle, Hi Speed. . . . .	
				50	221519	Kit, Repair. . . . .	
11	5202702	Housing, Blower . . . . .		<b>CRANKCASE - GROUP 7</b>			
12	5206301	Baffle, Cylinder Top No. 2 .					
13	5212403	Baffle, Cylinder Head No. 1.		51	X-280-10	Pin, Roll . . . . .	
14	5212402	Baffle, Cylinder Head No. 2.		52	X-352-28	Stud, 3/8-16 x 2" (12) . . . . .	
15	5221701	Support, Upper Housing . . . . .		53	X-583-3	Seal, Oil - Flywheel . . . . .	
16	5228201	Cover, Air Duct. . . . .		54	X-583-4	Seal, Oil - P.T.O. . . . .	
17	5228108	Duct, Air - Side No. 1. . . . .		55	X-702-4	Plug, Cap (2) . . . . .	
18	5228109	Duct, Air - Side No. 2. . . . .		56	X-702-5	Plug, Cap . . . . .	
				57	X-802-4	Screw, W.H., 5/16-8 x 1 (9).	
				58	5200901	Plate, Closure . . . . .	
<b>BREATHER &amp; VENT - GROUP 3</b>							
19	5203204	Seal, Breather. . . . .		59	5203001	Bearing, Sleeve (2) . . . . .	
20	5205501	Gasket, Cover (2) . . . . .		60	5204103	Gasket, Closure Plate . . . . .	
21	5209602	Cover, Valve Cylinder No. 2		61	5204104	Gasket, Cylinder Barrel (2) .	
22	5209608	Cover, Valve Cylinder No. 1		62	5226012	Crankcase . . . . .	
23	5225404	Cover, Valve. . . . .		63	5256505	Barrel, No. 1 Cylinder . . . . .	
24	5232603	Hose, Breather . . . . .		64	5256506	Barrel, No. 2 Cylinder . . . . .	
25	X-426-3	Clamp, Hose. . . . .					
26	231419	Filter, Breather . . . . .		<b>CRANKSHAFT - GROUP 8</b>			
27	271732	Stud . . . . .					
28	275220	Stud . . . . .		65	5201410	Crankshaft . . . . .	
				66	5211201	Spacer, .097/.095 . . . . .	
<b>CAMSHAFT &amp; VALVES - GROUP 4</b>							
				67	5211202	Spacer, .102/.100 . . . . .	
29	230010	Spring, Valve (4) . . . . .		68	5211203	Spacer, .107/.105 . . . . .	
30	230011	Retainer, Spring (4) . . . . .		69	5246803	Washer, Thrust . . . . .	
31	4175510	Kit, Retainer (4) . . . . .					
32	5201001	Camshaft. . . . .		<b>CYLINDER HEAD - GROUP 9</b>			
33	5201601	Valve, Exhaust (2) . . . . .		70	220534	Washer, 5/16 (18) . . . . .	
34	5201701	Valve, Intake (2) . . . . .		71	4108602	Screw, 5/16-18 x 1-1/2 (18)	
35	5201801	Retainer, Spring (4) . . . . .		72	5201501	Head, Cylinder (2) . . . . .	
36	5201901	Tappet (4) . . . . .		73	5205201	Gasket, Head (2) . . . . .	
<b>CARBURETOR - GROUP 5</b>							
37	5204102	Gasket, Intake (2) . . . . .		74	5203801	Dipstick. . . . .	
38	5216401	Manifold, Intake . . . . .		75	5212302	Tube, Oil Fill . . . . .	
				76	5215401	Clip, Tube . . . . .	
<b>DIPSTICK - GROUP 10</b>							



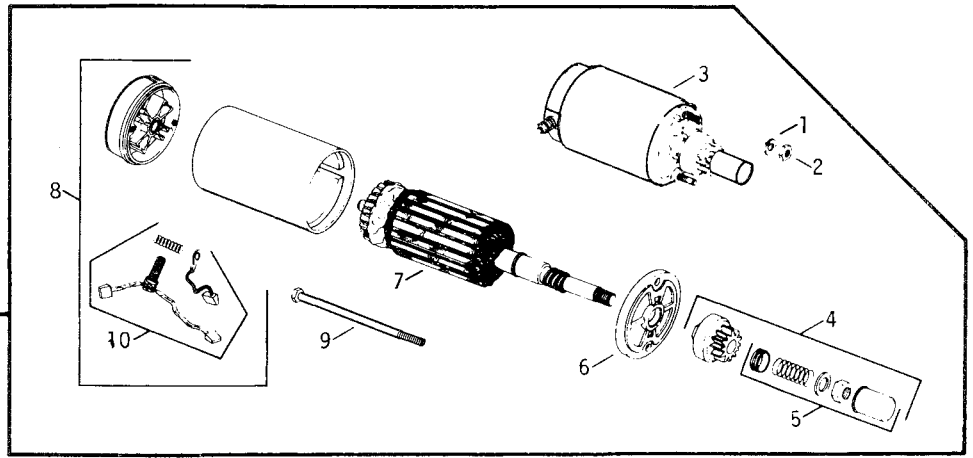
## ORDER PARTS FROM YOUR LOCAL KOHLER ENGINE DEALER

REF. NO.	PART NO.	DESCRIPTION	NO. REQ'D.	REF. NO.	PART NO.	DESCRIPTION	NO. REQ'D.
STARTER - GROUP 11							
77	5209802	Starter - Assembly . . . . .		114	5211901	Lever, Speed Control . . . . .	
78	4109601	Cover . . . . .		115	5218601	Arm, Governor . . . . .	
79	277619	Nut, Lock . . . . .		116	5235402	Link, Governor . . . . .	
80	277614	Washer . . . . .					
81	277607	Spring, Anti-Drift . . . . .					
82	277606	Spacer . . . . .					
83	5275503	Kit, Drive . . . . .		117	220174	Gasket . . . . .	
84	5221101	Bolt, Thru (2) . . . . .		118	236602	Connector . . . . .	
85	5222701	Cap, D.E. . . . .		119	4815502	Connector . . . . .	
86	277611	Washer . . . . .		120	4140301	Rectifier - Regulator . . . . .	
87	5217001	Armature . . . . .		121	237878	Kit, Stator . . . . .	
88	5275502	Cap, Commutator . . . . .		122	4715001	Breaker . . . . .	
				123	5109602	Cover . . . . .	
				124	5113201	Plug, Spark (2) . . . . .	
				125	5114702	Condenser . . . . .	
				126	5241101	Rod, Breaker Push . . . . .	
				127	5114501	Coil . . . . .	
				128	5244501	Strap, Coil . . . . .	
				129	5234801	Lead, Hi-Tension - 11" . . . . .	
				130	5234802	Lead, Hi-Tension - 19" . . . . .	
EXHAUST - GROUP 12							
89	X-352-18	Stud, 5/16-18 x 4" (4) . . . . .					
90	5204102	Gasket, Exhaust (2) . . . . .					
91	5205405	Manifold, Exhaust No. 1 . . . . .					
92	5205406	Manifold, Exhaust No. 2 . . . . .					
93	236742	Strap, Lifting (2) . . . . .					
FLYWHEEL - GROUP 13							
94	X-7-27	Screw, H.C., 3/8-24 x 1 . . . . .		131	230004	Retainer, Pin (4) . . . . .	
95	X-22-1	Washer, Lock, 3/8 . . . . .		132	5207401	Piston - Std. (2) (Includes Pin & Retainers) . . . . .	
96	X-286-17	Key, Square, 3/16 x 1-3/8 . . . . .			5207402	Piston (.003) (Includes Pin & Retainers) . . . . .	
97	5202513	Flywheel - Assembly (Includes Magnets & Gear Ring) . . . . .			5207403	Piston (.010) (Includes Pin & Retainers) . . . . .	
					5207404	Piston (.020) (Includes Pin & Retainers) . . . . .	
					5207405	Piston (.030) (Includes Pin & Retainers) . . . . .	
FUEL PUMP - GROUP 14							
99	X-426-9	Clamp, Hose (2) . . . . .					
100	X-697-8	Hose . . . . .					
101	4704104	Gasket . . . . .		133	5206701	Rod, Conn. Std. (2) . . . . .	
102	X-380-1	Connector . . . . .			5206708	Rod, Conn. (.010) . . . . .	
103	X-391-1	Connector . . . . .		134	5210801	Ring Set Std. & .003 (2) . . . . .	
104	5239301	Pump, Fuel . . . . .			5210802	Ring Set (.010) . . . . .	
					5210803	Ring Set (.020) . . . . .	
					5210804	Ring Set (.030) . . . . .	
GOVERNOR - GROUP 17							
105	X-269-28	Retainer, Governor . . . . .					
106	X-795-1	Bolt, R.H., 1/4-20 . . . . .					
107	231355	Pin, Governor Stop . . . . .		135	X-280-1	Pin, Roll . . . . .	
108	234614	Stop, Governor . . . . .		136	5141401	Rotor, Inner . . . . .	
109	235778	Clamp, Cable (2) . . . . .		137	5141402	Rotor, Outer . . . . .	
110	A-237031	Gear, Governor . . . . .		138	5204303	Gear, Oil Pump . . . . .	
111	5107802	Shaft, Governor Cross . . . . .		139	5209603	Cover, Oil Pump . . . . .	
112	5123701	Clamp, Governor . . . . .		140	5214405	Shaft, Oil Pump . . . . .	
113	5209104	Spring, Governor . . . . .		141	5216201	Screen . . . . .	
IGNITION - GROUP 18							
PISTON & ROD - GROUP 22							
OIL PUMP - GROUP 25							

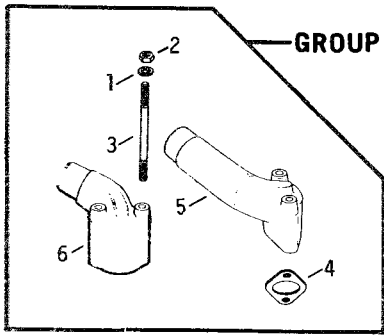




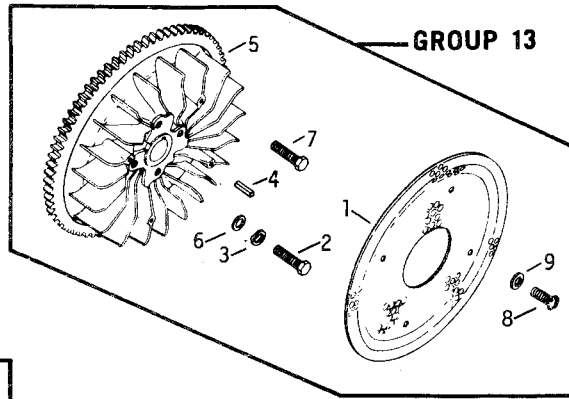
GROUP 10



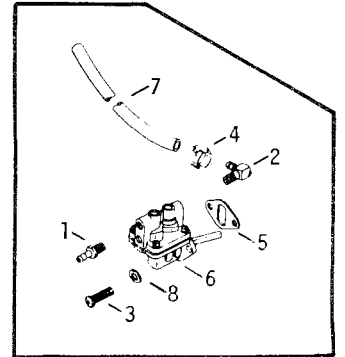
GROUP 11



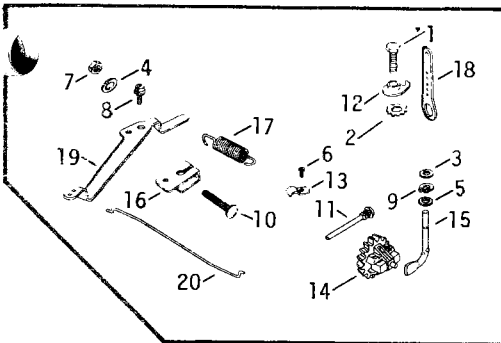
GROUP 12



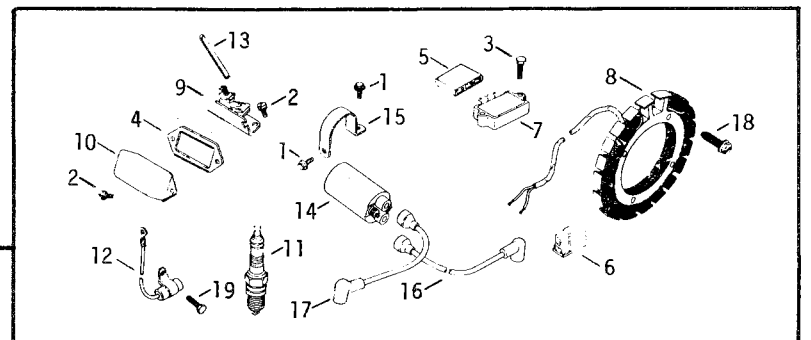
GROUP 13



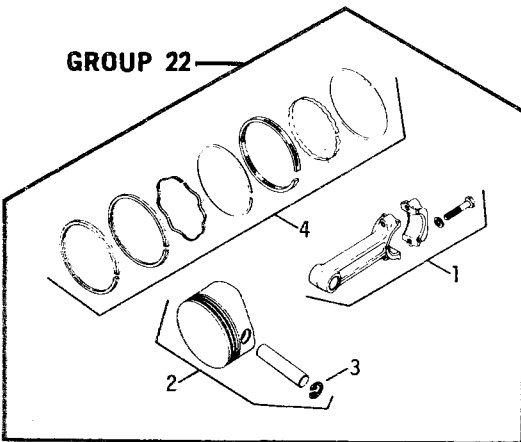
GROUP 14



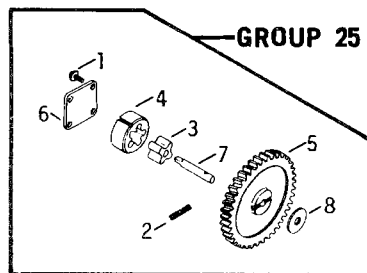
GROUP 17



GROUP 18



GROUP 22



GROUP 25

**ORDER PARTS FROM YOUR LOCAL KOHLER ENGINE DEALER**

REF. NO.	PART NO.	DESCRIPTION	NO. REQ'D.	REF. NO.	PART NO.	DESCRIPTION	NO. REQ'D.
<b>AIR INTAKE - GROUP 1</b>				<b>CRANKCASE - GROUP 7</b>			
1	X-352-39	Stud 1/4-20x1-7/8		10	52 445 02	Strap, lifting (2)	
2	277069	Gasket, elbow		11	52 053 09	Carburetor - assembly	
3	277093	Gasket, air cleaner elbow		12	52 103 01	Screw, main fuel adj.	
4	X-20-1	Washer, lock		13	200383	Spring, main fuel	
5	X-22-9	Washer #10 (2)		14	200375	Gasket, bowl	
6	X-25-79	Washer, plain		15	200439	Gasket, bowl baffle	
7	X-25-73	Washer, plain		16	200408	Float	
8	X-50-37	Screw 10-32x2-1/4		17	200376	Pin, float hinge	
9	X-50-57	Screw 10-32x1-1/2 (2)		18	235448	Bowl, fuel	
10	X-67-65	Screw, H.C. (4)		19	47 100 06	Screw, bowl retainer	
11	X-81-1	Nut, hex. (2)		20	200380	Spring, idle fuel	
12	X-276-7	Nut, wing 1/4-20		21	277210	Screw, idle fuel adj.	
13	47 082 01	Cover, air cleaner		22	232556	Screw, idle speed adj.	
14	47 083 01	Element		23	232555	Spring, idle speed	
15	52 054 15	Elbow, air intake			221519	Kit, carburetor repair	
16	52 201 03	Base, air cleaner		<b>CRANKCASE - GROUP 7</b>			
17	47 032 03	Seal		1	X-22-1	Washer (12)	
18	52 134 01	Tube, air intake		2	X-75-10	Plug, drain	
<b>BAFFLES &amp; SHROUD - GROUP 2</b>				3	X-75-32	Plug, flush	
1	X-67-83	Screw 1/4-20x7/16 (28)		4	X-83-2	Nut (12)	
2	X-82-2	Nut 5/16-18 (2)		5	X-280-10	Pin, roll	
3	52 027 02	Housing, Blower (A)		6	52 032 10	Seal, front oil	
	52 027 07	Housing, Blower (B)		7	X-583-5	Seal, rear oil	
4	52 063 01	Baffle, cylinder top		8	X-702-5	Plug, cup	
5	52 124 03	Baffle, #1 cylinder head		9	X-802-9	Screw (9)	
6	52 124 02	Baffle, #2 cylinder head		10	52 009 01	Plate, rear closure	
7	52 217 01	Support, upper housing		11	52 030 02	Bearing, sleeve (2)	
8	52 262 01	Cover, air duct		12	52 041 08	Gasket, rear closure plate	
9	52 281 08	Duct, #1 side air		13	52 041 04	Gasket, cylinder barrel (2)	
10	52 281 09	Duct, #2 side air		14	X-352-33	Stud (2)	
<b>BREATHER &amp; VENT - GROUP 3</b>				15	X-802-6	Screw (3)	
1	X-81-1	Nut, hex 1/4-20 (2)		16	X-802-7	Screw (6)	
2	231419	Filter, breather		17	X-802-8	Screw (2)	
3	X-352-39	Stud 1/4-20x2-1/4		18	X-802-10	Screw (2)	
4	275220	Stud 1/4-20x3-1/4		19	231258	Washer (2)	
5	52 032 04	Seal, breather		20	X-269-43	Ring, retaining	
6	52 055 01	Gasket, cover (3)		21	X-702-13	Plug, cup	
7	52 096 02	Cover, #2 cylinder valve		22	235778	Clamp	
8	52 096 08	Cover, #1 cylinder valve		23	52 078 02	Shaft, governor	
9	52 326 05	Hose, breather		24	52 095 01	Housing, oil	
10	52 755 09	Kit, valve cover (Includes 11)		25	52 123 08	Tube, oil pick up	
11	52 462 01	Valve, umbrella		26	52 237 02	Clamp, spring	
12	X-25-12	Washer, plain (2)		27	52 072 01	Stud (12)	
<b>CAMSHAFT &amp; VALVES - GROUP 4</b>				28	X-702-4	Plug, cup	
1	230010	Spring, valve (4)		29	X-67-97	Screw	
2	230011	Retainer, spring (4)		30	52 565 27	Barrel, cylinder (2)	
3	41 755 10	Kit, retainer (4)		31	230265	Insert, valve seat (4)	
4	52 010 01	Camshaft		32	52 316 06	Guide, valve (4)	
5	52 016 01	Valve, exhaust (2)		<b>CRANKSHAFT - GROUP 8</b>			
6	52 017 01	Valve, intake (2)		1	52 014 32	Crankshaft	
7	52 018 01	Retainer, spring (4)		2	52 468 03	Washer, thrust	
8	52 019 01	Tappet (4)			52 468 04	Washer, thrust (A.R.)	
9	52 032 05	Seal, valve stem (2)			52 468 05	Washer, thrust (A.R.)	
<b>CARBURETOR - GROUP 5</b>				<b>CYLINDER HEAD - GROUP 9</b>			
1	52 041 02	Gasket, intake (2)		1	220534	Washer 5/16 (18)	
2	52 164 01	Manifold, intake		2	41 086 02	Screw 5/16-18x1-1/2 (18)	
3	X-6-8	Screw 5/16-18x2-3/4 (2)		3	52 015 05	Head, cylinder (2)	
4	X-21-1	Washer, lock 5/16 (4)		4	52 052 03	Gasket, Head (2)(B)	
5	X-77-2	Nut (2)			52 052 01	Gasket, Head (2)(A)	
6	X-352-37	Stud 5/16-18x1 (2)		<b>DIPSTICK - GROUP 10</b>			
7	X-391-1	Connector		1	X-67-64	Screw 10-32x3/8	
8	271030	Gasket, carburetor		2	X-75-6	Plug, oil fill	
9	X-6-54	Screw, H.C. 5/16-18x2-7/8 (2)		3	52 038 04	Dipstick	
				4	52 123 02	Tube, Oil Fill (B)	
					52 123 09	Tube, Oil Fill (A)	
				5	52 154 01	Clip, tube	

(A) Model 24152  
(B) Model 24197

ORDER PARTS FROM YOUR LOCAL KOHLER ENGINE DEALER

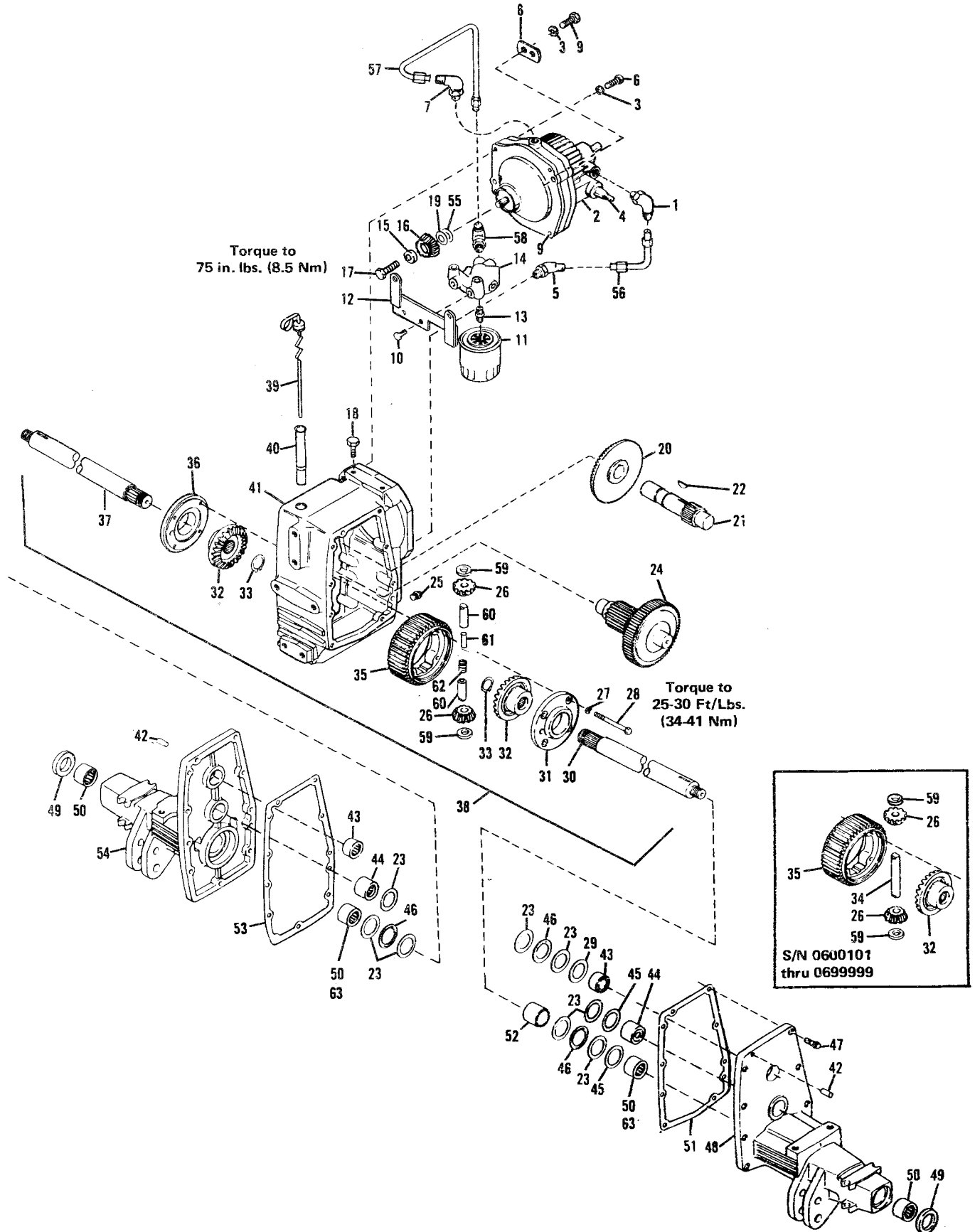
MODEL KT170S  
SPEC 24197

REF. NO.	PART NO.	DESCRIPTION	NO. REQ'D.
STARTER - GROUP 11			
1	X-20-1	Washer 1/4 (2)	
2	X-81-1	Nut 1/4-20 (2)	
3	52 098 03	Starter - assembly	
4	52 755 05	Kit, drive	
5	52 755 08	Kit, drive parts	
6	52 227 01	Cap, drive end	
7	52 170 02	Armature	
8	47 755 12	Cap, Commutator End (B)	
	48 227 04	Cap, Commutator End (A)	
9	52 211 01	Bolt, thru w/washer	
10	48 755 15	Kit, brush	
EXHAUST - GROUP 12			
1	X-21-1	Washer 5/16 (4)	
2	X-82-2	Nut 5/16-18 (4)	
3	X-352-18	Stud 5/16-18x4 (4)	
4	52 041 06	Gasket, exhaust (2)	
5	52 054 05	Manifold, #1 exhaust	
6	52 054 06	Manifold, #2 exhaust	
FLYWHEEL - GROUP 13			
1	52 162 03	Screen, Grass (B)	
	52 162 07	Screen, Grass (A)	
2	X-7-27	Screw, H.C. 3/8-24x1	
3	X-22-1	Washer, lock 3/8	
4	X-736-17	Key, square	
5	52 025 20	Flywheel	
6	52 114 01	Washer	
7	X-159-2	Screw, H.C. (4)	
8	X-166-2	Screw, T.H. (4)	
9	X-25-52	Washer, plain (4)	
FUEL PUMP - GROUP 14			
1	X-380-1	Connector	
2	X-391-1	Connector	
3	X-174-2	Screw (2)	
4	X-426-8	Clamp, hose (2)	
5	47 041 04	Gasket	
6	52 559 01	Pump, fuel	
7	X-386-54	Hose (B)	
	X-386-25	Hose (A)	
8	X-25-63	Washer, plain (2)	
GOVERNOR - GROUP 17			
1	X-5-1	Screw, H.C. 1/4-20x5/8	
2	X-22-12	Washer, lock	
3	X-25-12	Washer, plain	
4	X-25-72	Washer, plain	
5	X-25-102	Washer, plain 1/4 (2)	
6	X-67-97	Screw, H.C. 10-24x7/16 (2)	
7	X-81-1	Nut 1/4-20	
8	X-131-1	Screw, sems 10-24x3/8	
9	X-269-28	Retainer, governor	
10	X-795-1	Screw, R.H. 1/4-20	
11	231355	Pin, governor stop	
12	234614	Stop, governor	
13	235778	Clamp, cable (2)	
14	A-237031	Gear, governor	
15	51 678 02	Shaft, governor cross	
16	51 257 01	Clamp, governor	
17	52 091 04	Spring, governor	
18	52 119 01	Lever, speed control	
19	52 167 01	Arm, governor	
20	52 354 00	Link, governor	

REF. NO.	PART NO.	DESCRIPTION	NO. REQ'D.
IGNITION - GROUP 18			
1	X-67-83	Screw 1/4-20 x 7/16 (2)	
2	X-131-1	Screw 10-24 x3/8 (4)	
3	X-67-96	Screw 1/4-20 x 1 (2)	
4	52 041 11	Gasket (B)	
	220174	Gasket (A)	
5	236602	Connector	
6	48 155 02	Connector	
7	41 403 05	Rectifier - Regulator	
8	237878	Stator	
9	47 150 03	Breaker (B)	
	47 150 02	Breaker (A)	
10	51 096 02	Cover, Breaker	
11	51 132 02	Plug, Spark (2)	
12	52 147 01	Condenser (B)	
	51 147 02	Condenser (A)	
13	52 411 01	Rod, Breaker Push	
14	52 145 02	Coil, Ignition (B)	
	51 145 01	Coil, Ignition (A)	
15	52 445 03	Strap, Coil (B)	
	52 445 01	Strap, Coil (A)	
16	52 348 01	Lead, Hi-Tension	
17	52 348 02	Lead, Hi-Tension	
18	X-67-51	Screw, H.C. 10-24 x 3/4 (4)	
19	X-67-62	Screw 1/4-20 x 3/4	
PISTON & ROD - Group 22			
1	52 067 29	Rod, Connecting-Std.(2)(B)	
	52 067 02	Rod, Connecting-Std.(2)(A)	
	52 067 30	Rod, Connecting-.010 U.S. (2)(B)	
	52 067 08	Rod, Connecting-.010 U.S. (2)(A)	
2	52 074 39	Piston-Assem.- Std. (2)(B)	
	52 074 19	Piston-Assem.-Std. (2)(A)	
	52 074 40	Piston-Assem.-.003 (2)(B)	
	52 074 20	Piston-Assem.-.003 (2)(A)	
	52 074 41	Piston-Assem.-.010 (2)(B)	
	52 074 03	Piston-Assem.-.010 (2)(A)	
	52 074 42	Piston-Assem.-.020 (2)(B)	
	52 074 04	Piston-Assem.-.020 (2)(A)	
	52 074 43	Piston-Assem.-.030 (2)(B)	
	52 074 05	Piston-Assem.-.030 (2)(A)	
3	230004	Retainer, Piston Pin (4)	
4	52 108 01	Ring Set - Std. & .003 (2)	
	52 108 02	Ring Set - .010 (2)	
	52 108 03	Ring Set - .020 (2)	
	52 108 04	Ring Set - .030 (2)	
OIL PUMP - GROUP 25			
1	X-67-64	Screw 10-32x7/16 (4)	
2	X-280-25	Pin, roll	
3	51 414 01	Rotor, inner	
4	51 414 02	Rotor, outer	
5	52 043 03	Gear, oil pump	
6	52 096 03	Cover, oil pump	
7	52 144 05	Shaft, oil pump	
8	52 422 01	Spacer, shim (A.R. max. 2)	
	52 522 17	Short Block	
	52 755 12	Gasket Set (B)	
	52 755 01	Gasket Set (A)	

(A) Model 24152  
(B) Model 24197

**BOLENS 17 HP TRACTOR**



**Figure 3 HYDRO AND TRANSMISSION ASSEMBLY**

REF. NO.	PART NO.	DESCRIPTION	NO. REQ'D.	REF. NO.	PART NO.	DESCRIPTION	NO. REQ'D.
1	1724390	90° Elbow Fitting . . . . .	1	39	1724092	Dip Stick . . . . .	1
2	1732194	Eaton Hydrostatic . . . . .	1	40	1724090	Tube . . . . .	1
3	•	Lockwasher, 3/8 . . . . .	4	41	1724102	Transaxle Housing . . . . .	1
4	1724370	Control Shaft Seal . . . . .	1	42	1110189	Dowel Pin, 3/8 x 1 . . . . .	4
5	1732238	45° Elbow . . . . .	1	43	1185774	Closed End Needle Bearing .	2
6	•	Hex Screw, 3/8-16 x 2-1/2 .	1	44	1186010	Closed End Needle Bearing	
7	1185737	90° Elbow Fitting . . . . .	1		(1) . . . . .	2	
8	1734197	Neutral Anchor . . . . .	1		1185720	Closed End Needle Bearing	
9	•	Hex Screw, 3/8-16 x 2-3/4 .	3		(2)(3) . . . . .	2	
10	1186345	Flange Screw, 3/8-16 x 3/4 .	2	45	1719271	Shim . . . . .	AR
11	1726450	Oil Filter . . . . .	1	46	1185764	Thrust Roller Bearing . . . . .	3
12	1732230	Filter Bracket . . . . .	1	47	1185771	Counterbore Capscrew,	
13	1721921	Special Coupling . . . . .	1		3/8-16 x 1 . . . . .	17	
14	1734749	Filter Manifold . . . . .	1	48	1724534	R.H. Transaxle Housing	
15	1729559	Spacer . . . . .	1		Cover (1) . . . . .	1	
16	1729531	Bevel Pinion 18T . . . . .	1		1738048	R.H. Transaxle Housing	
17	1741832	Hex Screw, 1/4-20 x 5/8 . . .	1		Cover (2) . . . . .	1	
18	1186347	Lock Screw, 3/8-16 x 1 . . .	2	49	1185301	Oil Seal . . . . .	2
19	1730374	Shim. (.005) . . . . .	0-1	50	1187206	Needle Bearing (1) . . . . .	4
20	1724079	Bevel Gear, 56T . . . . .	1		1187206	Needle Bearing (2) . . . . .	2
21	1734358	Pinion, Shaft, 25T . . . . .	1	51	1724086	R.H. Cover Gasket . . . . .	1
22	1100279	Woodruff Key . . . . .	1	52	1724809	Spacer . . . . .	1
23	1186002	Thrust Race, .125 . . . . .	8	53	1724087	L.H. Cover Gasket . . . . .	1
24	1734361	Cluster Gear, 16T & 45T . . .	1	54	1724536	L.H. Transaxle Housing	
25	1185930	Square Head Magnetic Pipe			Cover (1) . . . . .	1	
		Plug . . . . .	1		1738049	L.H. Transaxle Housing	
26	1731865	Bevel Pinion 10T . . . . .	2		Cover (2)(3) . . . . .	1	
27	•	Lockwasher, 5/16 . . . . .	4	55	1730375	Shim. (.015) . . . . .	0-2
28	1186015	Capscrew, 5/16-18 x 3-1/2		56	1734635	Tube Assy . . . . .	1
		H.T. . . . .	4	57	1734730	Tube Assy . . . . .	1
29	1718781	Shim . . . . .	2-3	58	1185739	90° Elbow . . . . .	1
30	1724808	R.H. Axle . . . . .	1	59	1715301	Thrust Washer . . . . .	2
31	1724072	R.H. Bull Gear Carrier . . . .	1	60	1732161	Pinion Shaft (2) . . . . .	2
32	1724074	Bevel Gear, 22T . . . . .	2	61	1732166	Dowel Pin (2) . . . . .	1
33	1185732	External Retaining Ring . . .	2	62	1734339	Compression Spring (2) . . .	1
34	1724075	Pinion Shaft (1) . . . . .	1	63	1185721	Needle Bearing (2) . . . . .	2
35	1739767	Bull Gear, 44T . . . . .	1	NI	1721514	Trans. Fluid, 2-1/2 Gal.	
36	1724071	L.H. Bull Gear Carrier . . . .	1	NI	1719650	Trans. Fluid, 1 Gal.	
37	1724807	L.H. Axle . . . . .	1	NI	1721599	Trans. Fluid, 1 Quart	
38	1724205	Differential Assy. (Incl. Ref.		NI	1730118	Sealant, Gasket (3 oz.)	
		Nos. 26 thru 37 & 59) . . .	1				

• Common Hardware - Purchase Locally  
(Grade 5 where applicable)

(1) Serial Numbers 0600101 thru 0699999  
(2) Serial Numbers 0700101 thru 1099999

BOLENS 17 HP TRACTOR

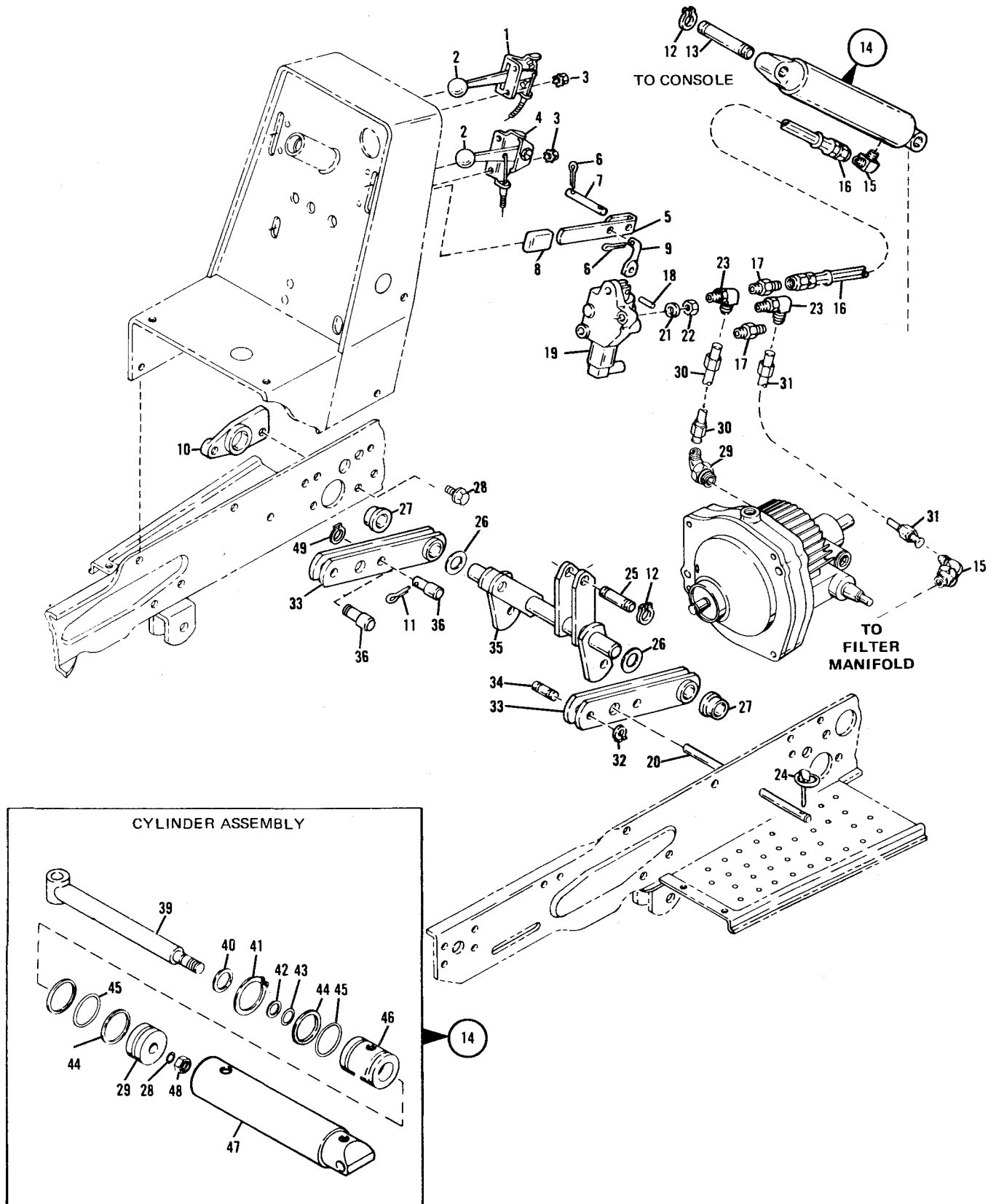


Figure 4 HAND CONTROLS AND LIFT ASSEMBLY

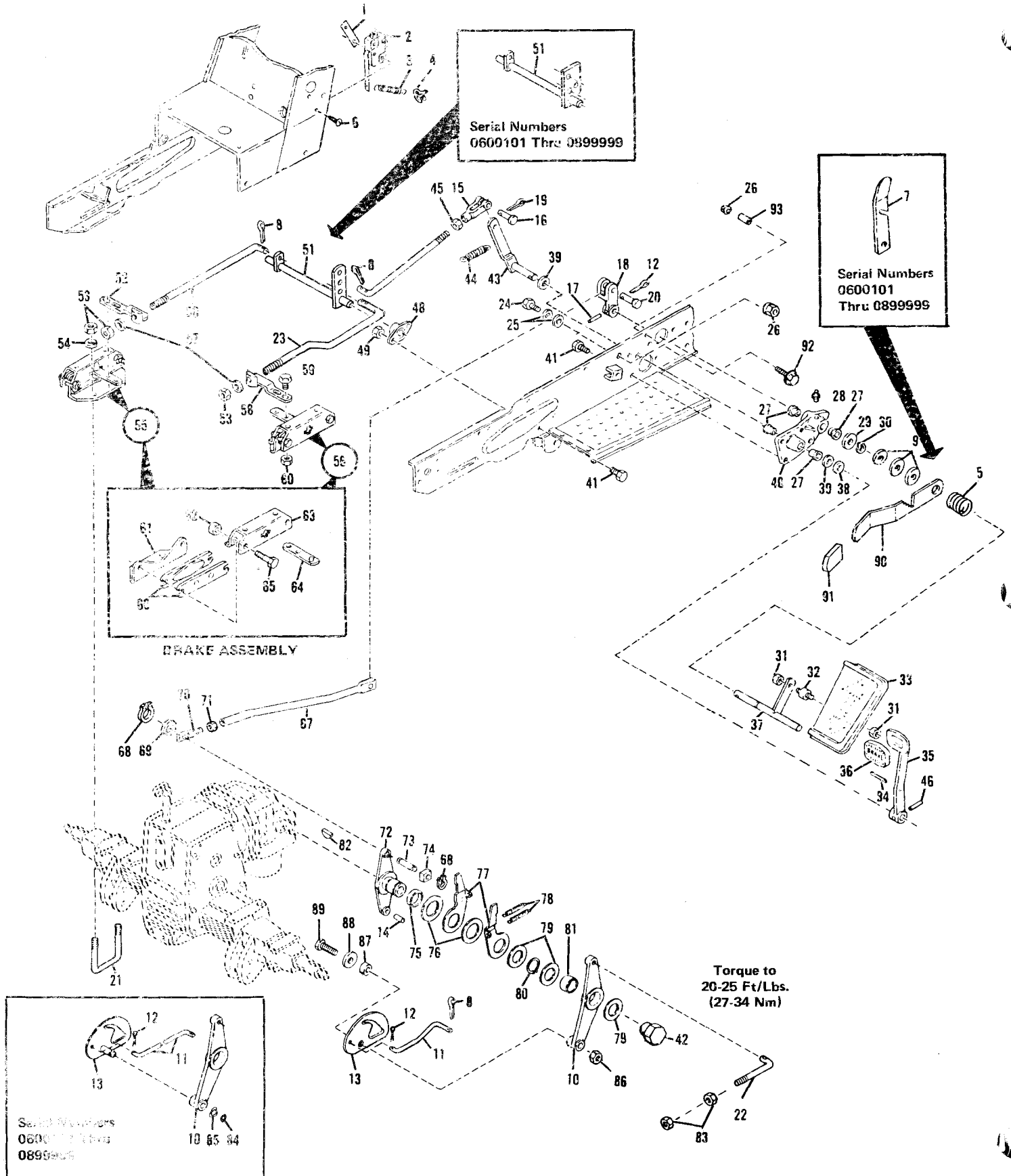


REF. NO.	PART NO.	DESCRIPTION	NO. REQ'D.	REF. NO.	PART NO.	DESCRIPTION	NO. REQ'D.
1	1736465	Choke Control . . . . .	1	25	1724704	Cylinder Rod Pin. . . . .	1
2	1724527	Knob Only. . . . .	2	26	1725602	Bowed Washer . . . . .	2
3	1185985	External Lockwasher Nut, No. 10-24 . . . . .	4	27	1186037	Flange Bearing . . . . .	2
4	1736464	Throttle Control . . . . .	1	28	•	Flange Screw, 3/8-16 x 3/4 .	4
5	1724744	Lift Lever . . . . .	1	29	1185902	45° Elbow. . . . .	1
6	•	Cotter Pin, 5/64 x 3/4 . . . . .	3	30	1734633	Tubing Assy. . . . .	1
7	1724741	Pin . . . . .	1	31	1734634	Tubing Assy. . . . .	1
8	1736564	Handle Grip . . . . .	1	32	1118808	Retaining Ring . . . . .	4
9	1724742	Lever Link. . . . .	1	33	1736863	Lift Arm Anchor (1)(2) . . . .	2
10	1724707	Bearing Support . . . . .	1		1739487	Lift Arm Anchor (3) . . . . .	2
11	•	Cotter Pin, 1/8 x 1 (1)(2) . .	2	34	1736888	Anchor Pin. . . . .	2
12	1113527	Retaining Ring . . . . .	4	35	1724694	Pivot Shaft Assy. . . . .	1
13	1724703	Cylinder Anchor Pin . . . . .	1	36	1724705	Shoulder Pin (1)(2) . . . . .	2
14	1724520	Cylinder (Incl. Ref. Nos. 37 thru 48) . . . . .	1		1742251	Shoulder Pin (3) . . . . .	2
15	1185739	90° Elbow. . . . .	3	37	1177509	"O" Ring. . . . .	1
16	1719178	Cylinder Hose. . . . .	2	38	1724515	Piston . . . . .	1
17	1717563	Connector . . . . .	2	39	1724512	Piston Rod Assy. . . . .	1
18	1185479	Roll Pin, 3/32 x 5/8. . . . .	1	40	1185266	Oil Seal . . . . .	1
19	1734335	Valve . . . . .	1	41	1118735	Snap Ring . . . . .	1
	1726213	Seal Kit . . . . .	1	42	1186019	Ring Washer . . . . .	1
20	1736535	Lift Arm Stop. . . . .	1	43	1177395	"O" Ring. . . . .	1
21	•	Lockwasher, 1/4 . . . . .	2	44	1186018	Ring Washer . . . . .	3
22	•	Flange Nut, 1/4-20 . . . . .	2	45	1186017	"O" Ring. . . . .	2
23	1185737	90° Elbow. . . . .	2	46	1724511	Cylinder Head. . . . .	1
24	1723478	Hitch Pin. . . . .	2	47	1724516	Cylinder Tube Assy. . . . .	1
				48	1110154	Locknut. 5/8-18 . . . . .	1
				49	1185668	Retaining Ring (3). . . . .	2

• Common Hardware - Purchase Locally  
(Grade 5 where applicable)

(1) Serial Number 0600101 thru 0699999  
(2) Serial Number 0700101 thru 0999999  
(3) Serial Number 1000101 thru 1099999

**BOLENS 17 HP TRACTOR**



**Figure 5 BRAKE AND HYDRO CONTROL ASSEMBLIES**  
18

REF. NO.	PART NO.	DESCRIPTION	NO. REQ'D.	REF. NO.	PART NO.	DESCRIPTION	NO. REQ'D.
1	1727777	Twin Type Speed Nut . . . .	1	48	1724457	Flanged Bearing . . . . .	2
2	1725550	Brake Switch . . . . .	1	49	•	Flange Lock Nut, 3/8-16. . .	4
3	1725826	Spring. . . . .	1	50	1725364	L.H. Brake Rod. . . . .	1
4	1725536	Clamp. . . . .	1	51	1725358	Transfer Shaft (1) . . . . .	1
5	1736895	Compression Spring. . . . .	1		1739865	Transfer Shaft (2)(3) . . . . .	1
6	1725552	Fill. Hd. Screw, No. 4-40 x 3/4. . . . .	2	52	1725363	L.H. Brake Arm Extension .	1
7	1736199	Latch Assy. Brake (1) . . . .	1	53	•	Locknut, 3/8-16 . . . . .	6
8	•	Cotter Pin, 3/32 x 5/8 . . . .	8	54	1185715	Lockwasher, 3/8 . . . . .	4
9	•	Flat Washer, 5/8 . . . . .	3	55	1724580	L.H. Brake Assy. (Incl. Ref. Nos. 61 thru 66). . . . .	1
10	1732420	Neutral Stop Arm (1) . . . .	1	56	1724599	R.H. Brake Assy. (Incl. Ref. Nos. 61 thru 66). . . . .	1
	1740014	Neutral Stop Arm (2)(3). . . .	1				
11	1733259	Lockplate Control Rod (1) .	1	57	•	Flat Washer, 3/8 . . . . .	2
	1739867	Lockplate Control Rod (2)(3) . . . . .	1	58	1725362	R.H. Brake Arm Extension .	1
12	1100346	Cotter Pin, 3/32" x 1-1/2" .	2	59	•	Flange Lock Screw, 3/8-16 x 1	4
13	1724443	Lockplate Assy. (1) . . . . .	1	60	•	Flange Lock Nut, 3/8-16. . .	4
	1740010	Lockplate (2) . . . . .	1	61	1724473	Brake Support . . . . .	1
	1741908	Lockplate (3) . . . . .	1	62	1724591	Locknut . . . . .	2
14	1110187	Dowel Pin . . . . .	1	63	1724587	Secondary Bracket. . . . .	1
15	222007	Clutch Rod Yoke . . . . .	1	64	1724588	Actuating Lever . . . . .	1
16	1112587	Clevis Pin, 5/16 x 1-3/16. . .	1	65	1724590	Bolt . . . . .	2
17	1713432	Drive Pin, 3/16 x 1-1/4. . . .	1	66	1724589	Stator Plate . . . . .	2
18	1724467	Control Arm. . . . .	1	67	1734372	Speed Control Rod . . . . .	1
19	•	Cotter Pin, 1/8 x 3/4 . . . . .	1	68	1185219	Retaining Ring . . . . .	2
20	1724632	Clevis Pin. . . . .	1	69	1890948	Washer . . . . .	1
21	1724468	"U" Bolt, 3/8-16. . . . .	2	70	1724446	Rod End . . . . .	1
22	1732189	Neutral Adjuster Rod. . . . .	1	71	•	Nut, 1/2-13 . . . . .	1
23	1734371	R.H. Brake Rod . . . . .	1	72	1732391	Speed Control Arm . . . . .	1
24	•	Hex Screw, 5/16-18 x 5/8. . .	1	73	1724445	Control Pin . . . . .	1
25	•	Flat Washer, 5/16 . . . . .	2	74	1720699	Cushion Block . . . . .	1
26	•	Flange Lock Nut, 5/16-18. . .	2	75	1720706	Bearing . . . . .	1
27	1185802	Flange Bearing . . . . .	4	76	1720361	Thrust Washer. . . . .	2
28	1185976	Grease Fitting. . . . .	1	77	1725359	Neutralizer Arm . . . . .	2
29	•	Flat Washer, 5/8 . . . . .	1	78	1724582	Extension Spring. . . . .	2
30	1185668	Retaining Ring . . . . .	1	79	1720529	Thrust Washer. . . . .	3
31	•	Flange Lock Nut, 1/4-20. . . .	2	80	1185732	External Retaining Ring . . .	
32	1725335	Rubber Mount . . . . .	1	81	1732833	Bearing . . . . .	1
33	1725287	R.H. Pedal . . . . .	1	82	1104435	Woodruff Key. . . . .	1
34	1120209	Roll Pin, 3/16 x 3/4. . . . .	1	83	•	Nut, 7/16-14 . . . . .	2
35	1725520	Brake Pedal . . . . .	1	84	1118804	Retaining Ring (1) . . . . .	1
36	1725518	Pedal Pad. . . . .	1	85	1706782	Wave Washer (1) . . . . .	
37	1725338	Control Shaft (1)(2). . . . .	1	86	1185506	Self Locking Jam Nut, 3/8-16 (2) (3) . . . . .	1
	1739107	Control Shaft (3). . . . .	1	87	1732369	Spacer (2) (3) . . . . .	1
38	1701411	Bowed Washer . . . . .	1	88	1701055	Wrought Washer (2) (3). . . .	1
39	1715301	Thrust Washer. . . . .	AR	89	•	Hex Screw, 3/8-16 x 1 3/4 (2) (3) . . . .	1
40	1725030	Speed Control Bearing Support . . . . .	1	90	1739863	Brake Lock (2)(3) . . . . .	1
41	•	Flange Lockscrew, 3/8-16 x 3/4. . . . .	8	91	1728696	Handle Grip (2)(3). . . . .	1
42	1730087	Hydro Control Nut . . . . .	1	92	•	Flange Screw, 5/16-18 x 1 1/4 (2)(3) . . . .	1
43	1725346	Brake Arm. . . . .	1	93	1740063	Spacer (2) (3) . . . . .	1
44	1725367	Extension Spring. . . . .	1				
45	•	Nut, 3/8-24 . . . . .	1				
46	1713432	Drive Pin, 3/16 x 1-1/4. . . .	1				
47	1725347	Adjusting Rod . . . . .	1				

• Common Hardware - Purchase Locally  
(Grade 5 where applicable)

(1) Serial Numbers 0600101 thru 0899999  
(2) Serial Numbers 0900101 thru 0999999  
(3) Serial Numbers 1000101 thru 1099999

# BOLENS 17 HP TRACTOR

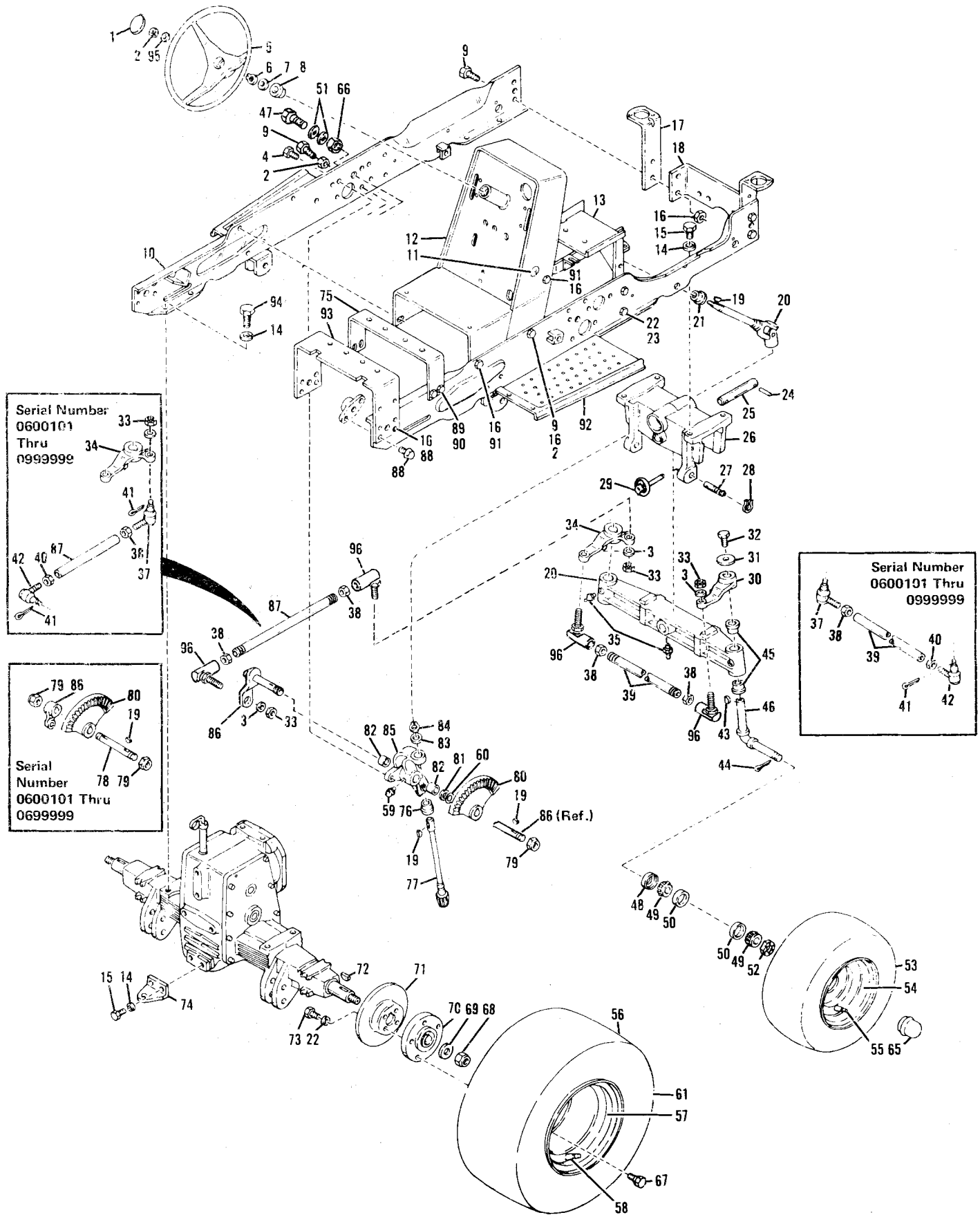


Figure 6 FRAME, STEERING AND AXLE ASSEMBLIES  
20

REF. NO.	PART NO.	DESCRIPTION	NO. REQ'D.
1	1737071	Cap, Steering Wheel . . . . .	1
2	•	Lock Nut, 3/8-16 . . . . .	3
3	•	Flat Washer, 3/8 (1) . . . . .	4
	•	Lock Washer, 5/8 (2)(3) . . . . .	4
4	1186345	Flange Lock Screw, 3/8-16 x 3/4 . . . . .	1
5	1736980	Steering Wheel . . . . .	1
6	1113527	Retaining Ring . . . . .	1
7	1708012	Flat Washer . . . . .	AR
8	1723994	Bearing, Steering . . . . .	1
9	•	Capscrew, 3/8-16 x 1-1/4 . . . . .	6
10	1736533	Frame, Left Hand . . . . .	1
11	1700311	Plug . . . . .	1
12	1736292	Support, Panel (1)(2) . . . . .	1
	1741444	Support, Panel (3) . . . . .	1
13	1727741	Support (1)(2) . . . . .	1
	1741442	Support (3) . . . . .	1
14	•	Lockwasher, 1/2 . . . . .	10
15	•	Capscrew, 1/2-13 x 1-1/4 . . . . .	6
16	•	Flange Lock Nut, 3/8-16 . . . . .	14
17	1727738	Support Hanger . . . . .	2
18	1736537	Brace . . . . .	1
19	1104436	Woodruff Key, 3/16 x 3/8 . . . . .	4
20	1725078	Shaft, Steering . . . . .	1
21	1725077	Bearing, Steering . . . . .	1
22	•	Lockwasher, 3/8 . . . . .	12
23	•	Capscrew, 3/8-16 x 5/8 . . . . .	4
24	1185376	Roll Pin, 3/16 x 1-1/2 . . . . .	2
25	1724676	Axle Pivot . . . . .	1
26	1733014	Bolster . . . . .	1
27	1724935	Pin, Pivot . . . . .	2
28	1185668	Retaining Ring (1)(2) . . . . .	2
29	1719672	Pin, Klik (1)(2) . . . . .	2
30	1724653	Knuckle Arm, R.H. (1) . . . . .	1
	1735763	Knuckle Arm, R.H. (2)(3) . . . . .	1
31	1186033	Flat Washer, 5/16 . . . . .	2
32	•	Lock Screw, 5/16-18 x 3/4 . . . . .	2
33	1120103	Castle Nut, 3/8-24 (1) . . . . .	4
	1185082	Lock Nut, 5/8-18 (2) (3) . . . . .	4
34	1724655	Knuckle Arm, L.H. (1) . . . . .	1
	1735727	Knuckle Arm, L.H. (2)(3) . . . . .	1
35	1185976	Grease Fitting . . . . .	3
36	1724660	Front Axle (1) . . . . .	1
	1737044	Front Axle (2)(3) . . . . .	1
37	1724657	Socket, L.H. (Incl. No. 33) (1) . . . . .	2
38	1186030	Nut, 1/2-20 L.H. (1) . . . . .	2
	1186216	Nut, Hex, 5/8-18 (2)(3) . . . . .	4
39	1724658	Tie Rod (1) . . . . .	1
	1735764	Tie Rod (2)(3) . . . . .	1
40	•	Nut, 1/2-20 (1) . . . . .	2
41	•	Cotter Pin, 3/32 x 3/4 (1) . . . . .	4
42	1724656	Socket, R.H. (Incl. No. 33) (1) . . . . .	2
43	1186034	Woodruff Key, 1/4 x 7/8 . . . . .	2
44	•	Cotter Pin, 3/16 x 1-1/2 . . . . .	2
45	1185728	Flange Bearing . . . . .	4
46	1724664	Spindle, Wheel (1) . . . . .	2

REF. NO.	PART NO.	DESCRIPTION	NO. REQ'D.
	1735766	Spindle, Wheel (2)(3) . . . . .	2
47	•	Capscrew, 1/2-13 x 1-1/2 . . . . .	1
48	1719601	Felt, Seal . . . . .	2
49	1185661	Bearing Cone . . . . .	4
50	1185660	Bearing Cup . . . . .	4
51	•	Flat Washer, 1/2 . . . . .	2
52	1185758	Castle Nut, 1-14 . . . . .	2
53	1732927	Tire, 16 x 6.50-8 . . . . .	2
54	1734880	Wheel . . . . .	2
55	1718086	Valve Stem . . . . .	2
56	1732926	Tire, 23 x 10.50-12 . . . . .	2
57	1724717	Wheel (1)(2) . . . . .	2
	1724718	Wheel (3) . . . . .	2
58	1718086	Valve Stem . . . . .	4
59	1185976	Grease Fitting . . . . .	1
60	1709224	Shim, .030 . . . . .	AR

MODEL 16662 - AGRI. TIRE KIT (REF. 61)

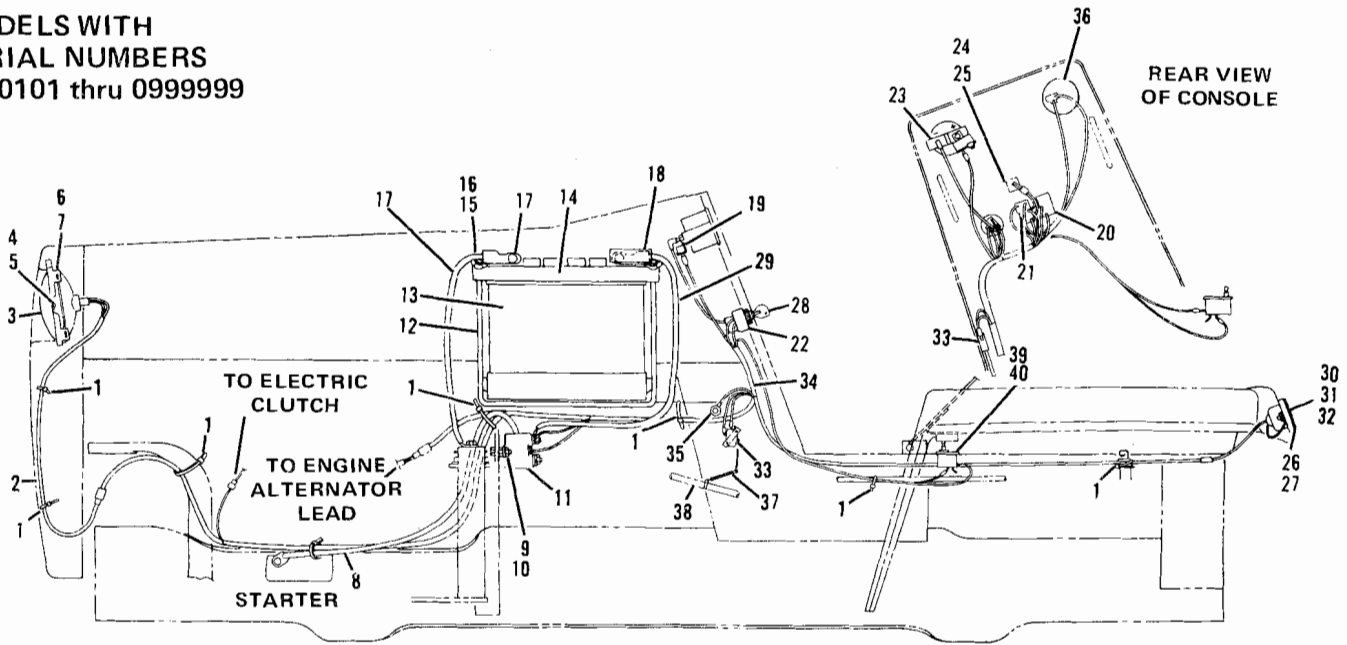
61	1723199	Tire, 23 x 10.50-12 . . . . .	2
	1732967	Wheel . . . . .	2
	1718086	Valve Stem . . . . .	2
65	1719599	Cap. . . . .	2
66	•	Lock Nut, 1/2-13 . . . . .	1
67	101085	Bolt, Hub . . . . .	10
68	•	Lock Nut, 3/4-10 . . . . .	2
69	1708599	Spacer . . . . .	2
70	1724815	Wheel Hub . . . . .	2
71	1724478	Disc Brake . . . . .	2
72	1100281	Woodruff Key, 5/16 x 1-1/8 . . . . .	2
73	•	Capscrew, 3/8-16 x 1 . . . . .	8
74	1724698	Draw Bar . . . . .	1
75	1725318	Support, Transmission . . . . .	1
76	1625075	Flange Bushing . . . . .	1
77	1743577	Steering Pinion Assy. . . . .	1
78	1725071	Shaft, Steering (1) . . . . .	1
79	1185093	Self-Locking Nut, 3/4-16(1) . . . . .	2
	1185093	Self-Locking Nut, 3/4-16 (2)(3) . . . . .	1
80	1725082	Gear, Steering . . . . .	1
81	1725069	Nylon Washer . . . . .	1
82	1185583	Sleeve Bearing . . . . .	2
83	1715301	Thrust Washer . . . . .	1
84	1118808	Retaining Ring . . . . .	1
85	1725084	Support, Steering . . . . .	1
86	1725073	Arm, Steering (1) . . . . .	1
	1736445	Arm, Steering (2)(3) . . . . .	1
87	1725074	Drag Link (1) . . . . .	1
	1736278	Drag Link (2)(3) . . . . .	1
88	•	Screw, Flange Lock 3/8-16 x 1 . . . . .	8
89	•	Flange Screw, 5/16-18 x 3/4 . . . . .	3
90	•	Flange Lock Nut, 5/16-18 . . . . .	4
91	•	Capscrew, 3/8-16 x 1 . . . . .	5
92	1736531	R.H. Frame . . . . .	1
93	1725298	Support, Seat . . . . .	1
94	•	Capscrew, 1/2-13 x 1 . . . . .	4
95	•	Flat Washer, 3/8 . . . . .	1
96	1719003	Ball Joint (2)(3) . . . . .	4

• Common Hardware - Purchase Locally (Grade 5 where applicable)

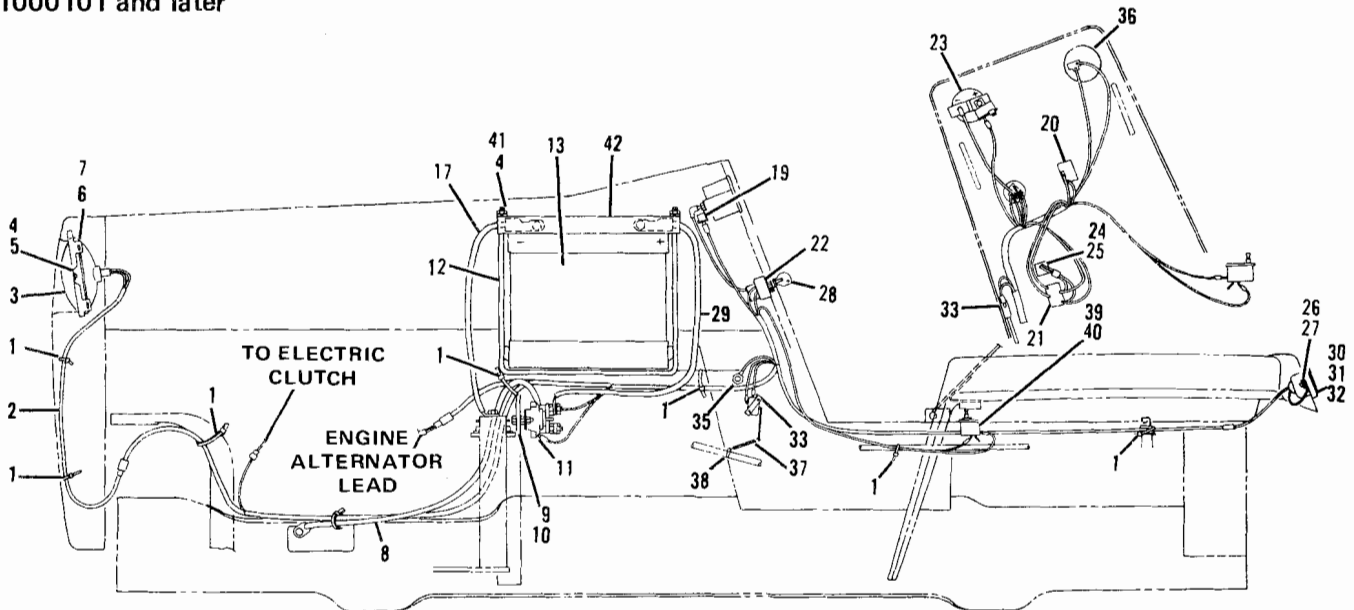
(1) Serial Numbers 0600101 thru 0699999  
 (2) Serial Numbers 0700101 thru 0999999  
 (3) Serial Numbers 1000101 thru 1099999

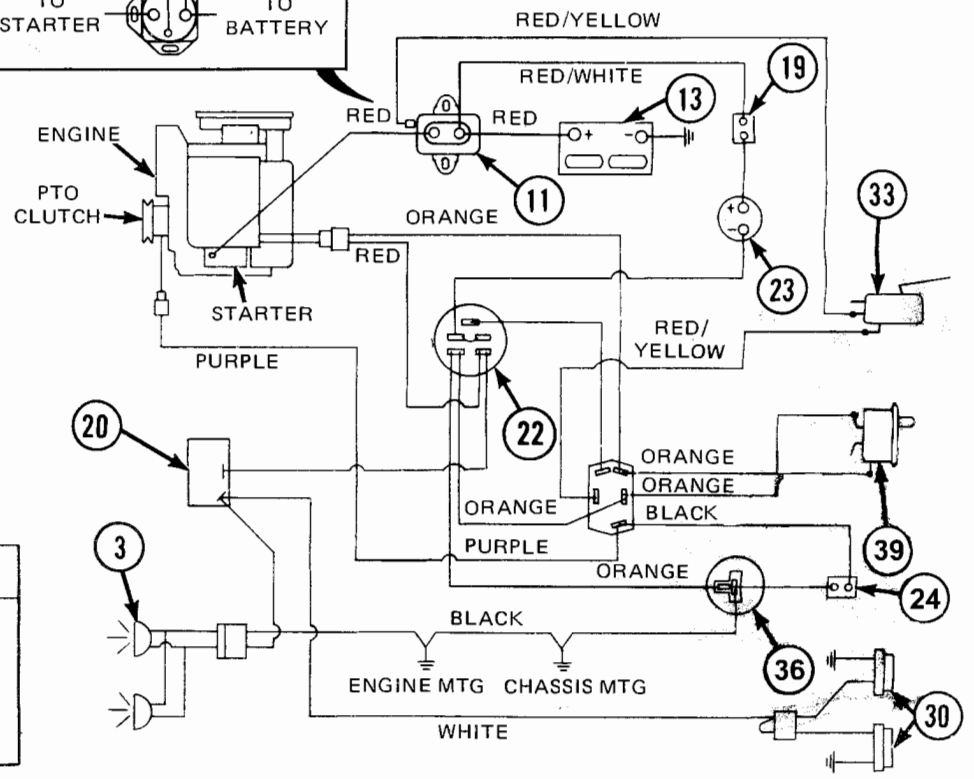
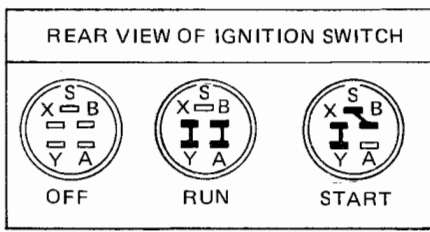
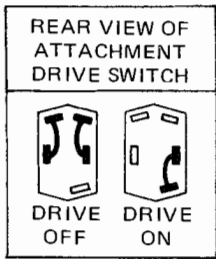
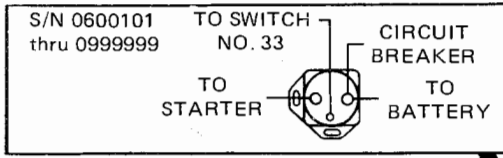
# BOLENS 17 HP TRACTOR

MODELS WITH  
SERIAL NUMBERS  
0600101 thru 0999999



MODELS WITH  
SERIAL NUMBERS  
1000101 and later





REF. NO.	PART NO.	DESCRIPTION	NO. REQ'D.
1	1805345	Cable Ties . . . . .	8
2	1727169	Headlight Harness . . . . .	1
3	1726435	Headlight (Mfg. No. 4406-1)	2
4	•	Flat Washer, 1/4 . . . . .	6
5	1727379	Pop Rivet, 3/16 x 3/8. . . . .	4
6	1806805	Retaining Plate . . . . .	2
7	1806808	Retainer . . . . .	2
8	1728940	Starter Cable . . . . .	1
9	•	Flange Nut, 1/4-20 . . . . .	4
10	•	Capscrew, 1/4-20 x 3/4. . . . .	2
11	1729547	Starter Solenoid (2) . . . . .	1
	1740056	Starter Solenoid (3) . . . . .	1
12	1724895	"U" Bolt (2) . . . . .	1
	1740804	"U" Bolt (3) . . . . .	1
13	1718027	Battery (2) . . . . .	1
	1740009	Battery (3) . . . . .	1
14	1724360	Battery Clamp (2) . . . . .	1
15	•	Flat Washer, 1/4 (2) . . . . .	2
16	1709652	Wing Nut (2) . . . . .	2
17	1725373	Battery Cable - Neg. . . . .	1
18	1721413	Battery Boot (2) . . . . .	1
19	1729914	Circuit Breaker, 30 Amp. . . . .	1
20	1724894	Headlight Switch. . . . .	1
21	1725096	PTO Switch . . . . .	1
22	1721409	Ignition Switch (Incl. Ref. No. 28) . . . . .	1

REF. NO.	PART NO.	DESCRIPTION	NO. REQ'D.
23	1725031	Ammeter (2) . . . . .	1
	1739205	Ammeter (3) . . . . .	1
24	1734824	Clutch Lamp (Incl. Ref. No. 25) . . . . .	1
25	1735285	Bulb (Mfg. No. 73) . . . . .	1
26	•	Lockwasher, No. 10. . . . .	4
27	•	Nut, No. 10-32 . . . . .	4
28	1718266	Key Only. . . . .	1
29	1725374	Battery Cable - Pos. . . . .	1
30	1725312	Tail Light (Incl. Ref. No. 31)	2
31	**	Bulb (Mfg. No. GE194) . . . . .	2
32	1726893	Lens and Reflector Assy. (2) . . . . .	2
33	1725550	Brake Switch . . . . .	1
34	1735960	Main Harness (2) . . . . .	1
	1741194	Main Harness (3) . . . . .	1
35	•	Nut, 3/8-16 . . . . .	1
36	1732263	Hour Meter (2) . . . . .	1
	1742197	Hour Meter (3) . . . . .	1
37	1725826	Spring . . . . .	1
38	1725536	Clamp . . . . .	1
39	1734366	Seat Switch . . . . .	1
40	1734472	Switch Seal . . . . .	1
41	•	Lock Nut, 1/4-20 (3) . . . . .	2
42	1739631	Hold Down Battery (3) . . . . .	1

\*\* Not Stocked. Purchase from your local automotive or electrical supplier. (2) Serial Numbers 0600101 thru 0999999  
 • Common Hardware - Purchase Locally (Grade 5 where applicable) (3) Serial Numbers 1000101 thru 1099999