

Bolens

Push Arm Kit Installation Instructions

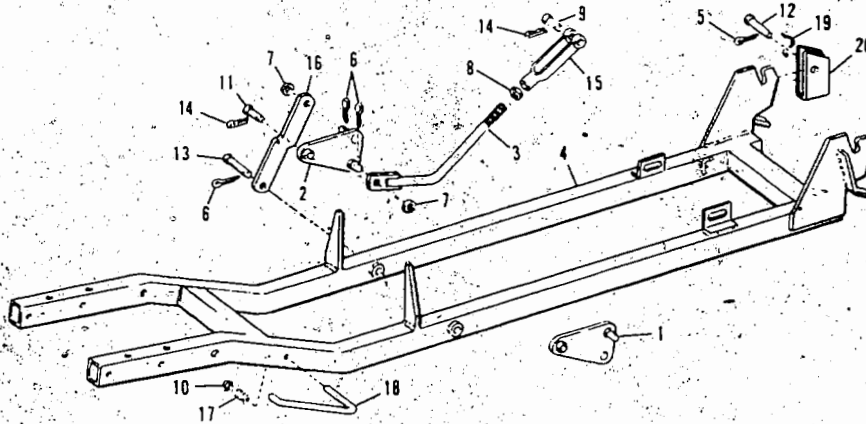
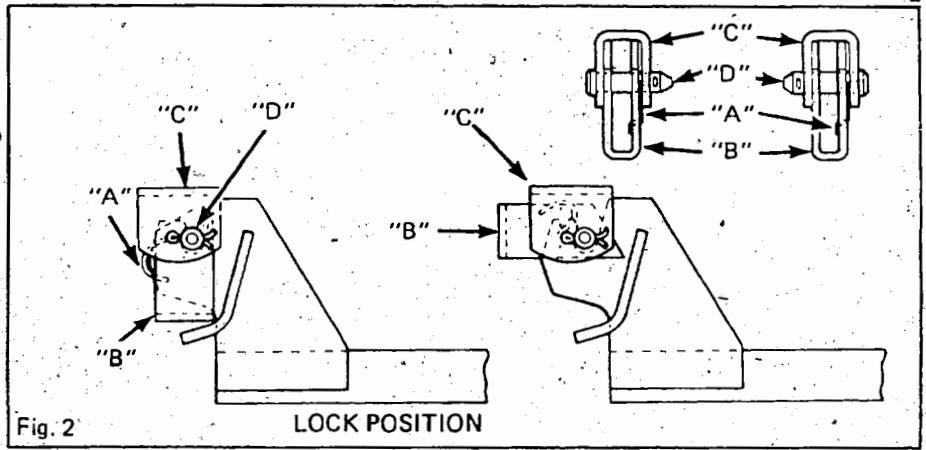
Model 19250

1. Install latch spring (A) into the latch (B). The end of the spring with the two bends goes into the hole in the latch. The end of the spring with the single bend goes into the tractor latch bracket (C).

2. Secure latch (B) into latch bracket (C) with 5/8 x 2 1/4" clevis pin (D) supplied and 1/8 x 1" cotter pin.

3. Lock position is shown at right in Figure 2.

4. See main attachment for further operating instructions.



(1) Serial Number 0100101 thru 0199999
(2) Serial Number 0200101 and up

REF. NO.	PART NO.	DESCRIPTION	NO. REQ'D.	REF. NO.	PART NO.	DESCRIPTION	NO. REQ'D.
1	1723568	Bell Crank Assembly, L.H.	1	11	1713501	Clevis Pin	2
2	1723569	Bell Crank Assembly, R.H.	1	12	1719367	Clevis Pin	2
3	1723640	Lift Rod (1)	2	13	1721609	Clevis Pin	2
	1739448	Lift Rod RH (2)	1	14	1723478	Hitch Pin	4
	1739447	Lift Rod LH (2)	1	15	1723560	Rod End	2
4	1723660	Push Arm	1	16	1723564	Link, Lift	2
5	1100350	Cotter Pin, 1/8 x 1	2	17	1725279	Spring, Compression	2
6	1104220	Cotter Pin, 3/16 x 1	6	18	1725280	Rod, Hanger	2
7	1107386	Flat Washer, 5/8	4	19	1725295	Spring, Latch	2
8	1108891	Jam Nut, 5/8	2	20	1725296	Latch	2
9	1186418	Clevis Pin	2	NI	1730354	Spray Paint, Black	
10	1711947	Cap, Push On	2	NI	1736796	Spray Paint, Dark Green	