

Assembly Instructions

WITH
PARTS LIST

SPRING ASSIST KIT
MODEL
18520-02

TO THE OWNER

This Spring Assist Kit has been designed for use on all Husky tractors up to and including the Husky 1220 tractor. Its purpose is to assist the tractor operator in raising and lowering the heavier attachment designed for use on Husky tractors. The amount of lift assist can be regulated by the distance the tightener nut is turned up on the eye bolt.

ASSEMBLY

To properly assemble this attachment:

1. Install spring anchor (Ref. #7) utilizing the right rear bolt securing plate to tractor tubular frame. The long portion of the spring anchor must extend to the rear as shown in the illustration BELOW.

2. Move tractor lift lever all the way back. Position spring link (Ref. #3 or #8) inside tractor lift lever and secure with capscrew and lock nut (Ref. #1 and #2).

NOTE

Spring link must be free to pivot on the cap-screw.

3. Hook one end of spring (Ref #4) through hole in free end of spring link and the other end through eye bolt (Ref. #5).

4. Insert threaded end of eye bolt (Ref. #5) through hole in spring anchor (Ref. #7) and secure with tightener nut (Ref. #6).

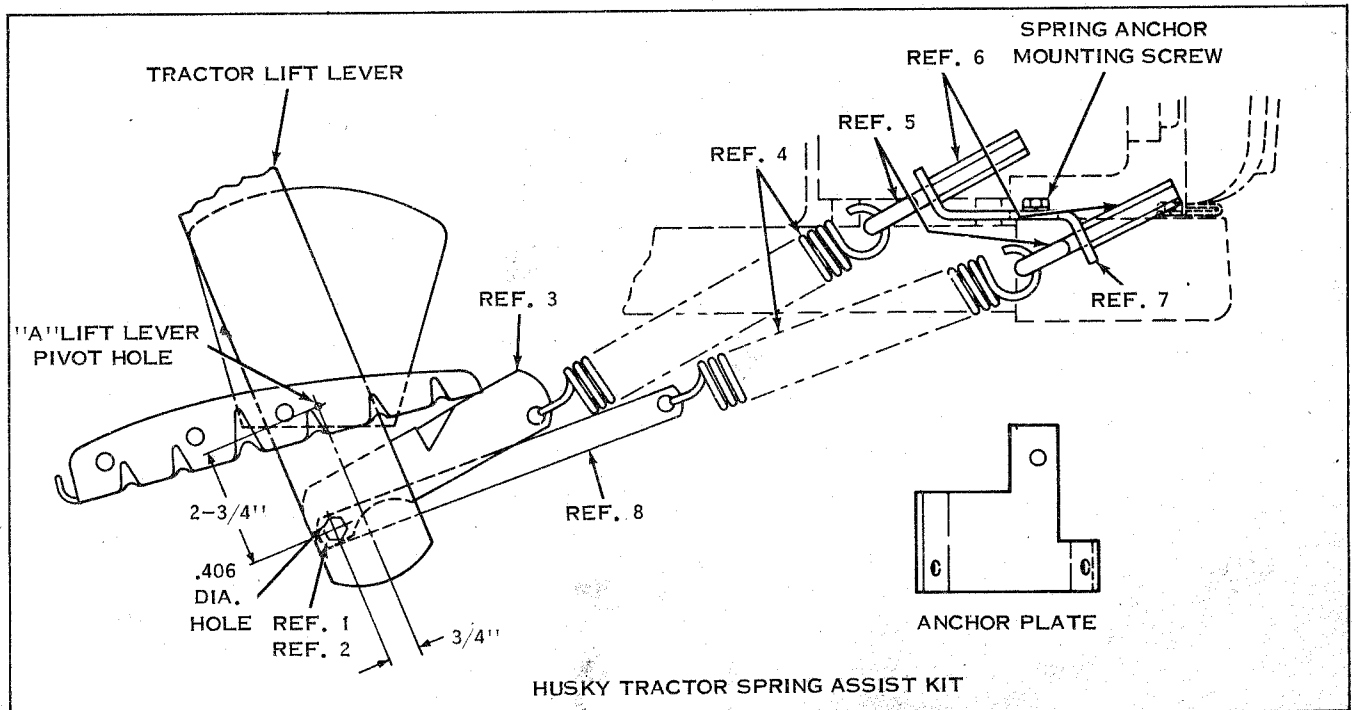
Important: When center mount mower attachments 18420 and 18421 are used Link #172-1820 Reference #8, must be used as shown to eliminate interference. It is not necessary to switch to Link #171-4516 Reference #3 when other attachments are used.

NOTE

When mounting to earlier Husky 600 tractors with short frames, or using spring link #1721820 reference #8 secure eye bolt to lower forward hole in spring anchor plate (Ref. #7).

PARTS LIST

REF. NO.	PART NO.	DESCRIPTION
1	1106919	Capscrew 3/8-16 x 1"
2	1110108	Lock Nut 3/8-16
3	1714516	Spring Link
4	1714515	Spring
5	1712920	Eye Bolt
6	1713053	Tightener Nut
7	1714514	Spring Anchor
8	1721820	Spring Link



BOLENS

PORT WASHINGTON, WISCONSIN, U.S.A.