

Mower Attachment 42 Inch

Model 18423

Type 01, 02 & 03
Serial Numbers 0400101
thru 0699999

FMC
FMC Bolens

FMC

FMC

FMC

FMC

FMC

FMC

FMC

FMC

FMC

FMC

FMC

FMC

FMC

FMC

FMC

FMC

FMC

FMC

FMC

FMC

FMC

FMC

FMC

FMC

FMC

Parts List

FORM P552579-2 (12/77)
SUPERSEDES P552579-1

BOLENS 42 INCH MOWER ATTACHMENT

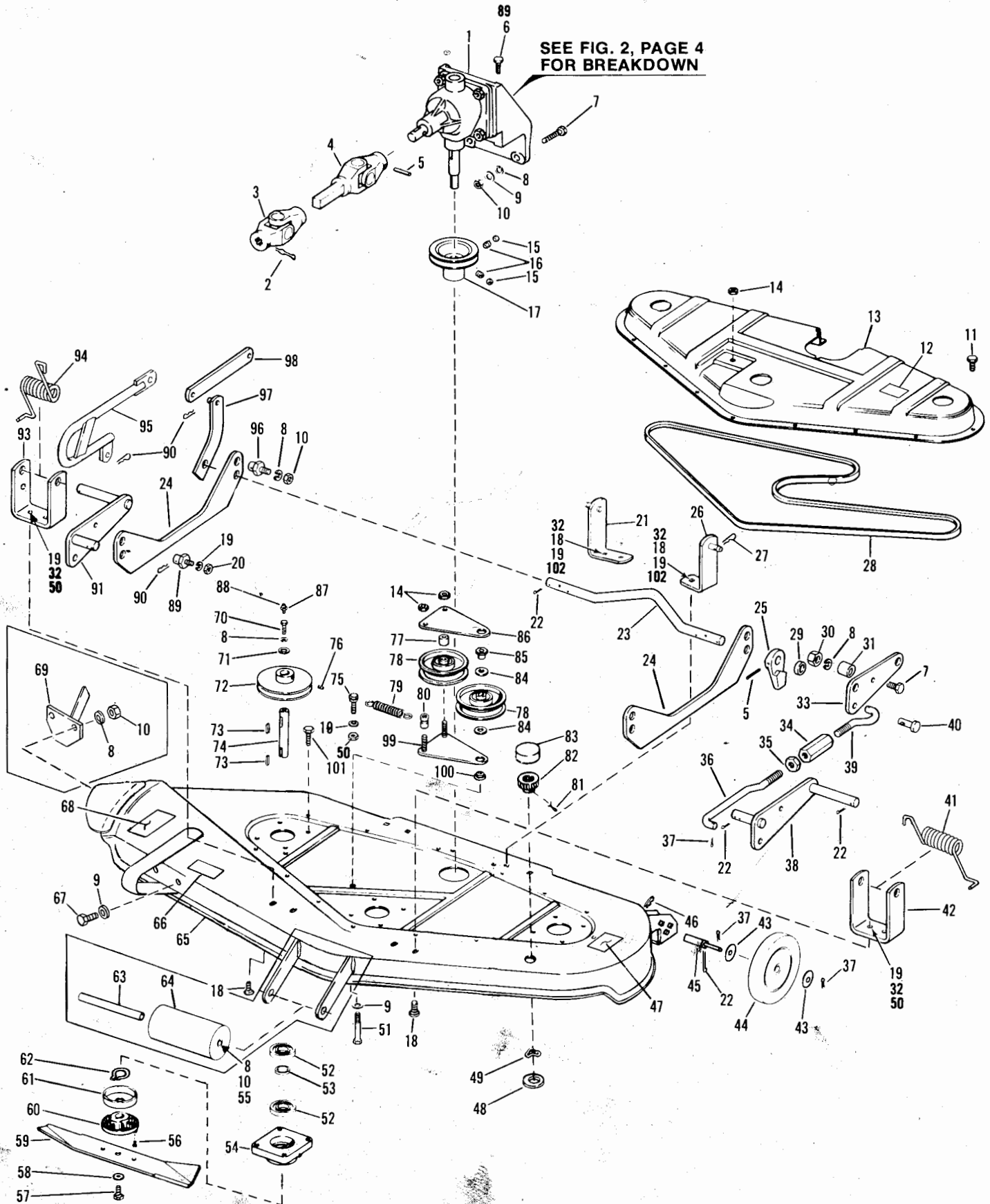


Figure 1 COMPLETE ASSEMBLY

REF. NO.	PART NO.	DESCRIPTION	NO. REQ'D.	REF. NO.	PART NO.	DESCRIPTION	NO. REQ'D.
1	1722859	Complete Gear Case Assy...	1	55	● 1186411	Capscrew, 3/8-16 x 6 (1)(2)(3)(4)	1
**2	1716369	Special Cotter Pin (1)(2)(3) ..	1	56	1177330	Rivet	6
**3	*1715008	Universal Joint (1)(2)(3) ..	1	57	● 1100009	Capscrew, 3/8-24 x 1 H.T.	3
4	*1713650	Universal Joint and Shaft ..	1	58	1185715	Pyramidal Lockwasher, 3/8 (1)(2)(3)(4)(5)	3
5	1185220	Roll Pin, 3/16 x 1-1/2 (1)(2)(3)(4)(5)	3		1100243	Lockwasher, 3/8 (6)	3
	1185376	Roll Pin, 3/16 x 1-1/2 (6) ..	3	59	1721299	Mower Blade	3
6	● 1100046	Capscrew, 3/8 x 16 x 1 (4)(5)(6)	2	60	1719040	Drive Hub	3
7	● 1100047	Capscrew, 3/8-16 x 1-1/2 ..	4	61	1716744	Cap.	3
8	● 1100243	Lockwasher, 3/8	17	62	1185708	Retaining Ring (1)(2)(3)(4) ..	3
9	● 1107383	Flat Washer, 3/8	7		1700821	Thrust Washer (5)(6)	3
10	● 1186231	Hex Nut, 3/8-16	7	63	1720578	Spacer (1)(2)(3)(4)	1
11	● 1185933	Thread Forming Screw, No. 14 x 1/2	15	64	1720577	Roller (1)(2)(3)(4)	1
12	1724540	(Belt Drive) Decal (3)	1	65	1722835	Base (1)(2)(3)	1
	1724840	(Belt Drive) Decal (4)(5) ..	1		1727010	Base Assy., 42" (4)	1
13	1719464	Belt Cover	1		1728882	Base Assy., 42" (5)	1
14	● 1185506	Jam Nut, 3/8-16	3		1734594	Base Assy., 42" (6)	1
15	1185551	Locking Screw 3/8-16 x 3/16	2	66	1715633	Decal (1)(2)	1
16	1185550	Set Screw, 3/8-16 x 5/16 ..	2		1734394	Decal (6)	1
17	1716749	Pulley	1	67	● 1100913	Capscrew, 3/8-16 x 7/8 (3) ..	2
18	● 1100045	Capscrew, 5/16-18 x 1	8	68	1715670	(Caution) Decal (1)(2)	1
19	● 1100242	Lockwasher, 5/16	11		1725565	(Caution) Decal (3)(4)(5) ..	1
20	● 1186230	Hex Nut, 5/16-18	2	69	1725462	Deflector (3)	1
21	1720489	L.H. Rear Bracket	1	70	1719331	Bolt	3
22	● 1100350	Cotter Pin, 1/8 x 1 (1)(2)(3) ..	16	71	1708755	Washer (1)(2)(3)(4)(5)	3
	1187961	Pin, 5/32 x 1 (4)(5)(6)	8		1701055	Washer (6)	3
23	1722853	Rod	4	72	1716763	Blade Drive Pulley (1)(2)(3)(4)(5)	3
24	1722847	Support Bracket (1)	2		1728921	Blade Drive Pulley (6)	3
	1724625	R.H. Support Bracket (2)(3)(4)(5)(6)	1	73	1108852	Sq. Key, 3/16 x 3/4	6
	1724626	L.H. Support Bracket (2)(3)(4)(5)(6)	1	74	1719329	Drive Shaft	3
25	1723010	Lift Lug	2	75	1715210	Anchor Bolt	1
26	1720490	R.H. Rear Bracket	1	76	1103466	Set Screw, 5/16-18 x 3/8 ..	6
27	● 1100350	Cotter Pin, 1/8 x 1 (1)	2	77	1716778	Spacer	1
	1723478	Spring Cotter (2)	2	78	1714742	Idle Pulley	2
	1185590	Hitch Pin (3)(4)(5)(6)	2	79	1716777	Spring (1)(2)	1
28	1185651	Drive Belt, 114-5/32"	1		1725564	Spring (3)(4)(5)(6)	1
29	1722957	Spacer	1	80	1716779	Spacer	1
30	1722858	Eccentric (1)(2)	2	81	● 1100352	Cotter Pin, 1/8 x 1-1/2	1
	1733398	Locknut, 3/8-16(3)(4)(5)(6) ..	2	82	1719461	Washout Flange	1
31	1728652	Spacer (3)(4)(5)	2	83	1719467	Protector Cap	1
32	1107382	Flat Washer, 5/16 (6)	8	84	1714233	Bearing	2
33	1722842	Lift Arm (1)	2	85	1716775	Special Nut	1
	1725339	Lift Arm (2)(3)(4)(5)(6)	2	86	1716760	Idle Arm	1
34	1722857	Turnbuckle	1	87	1185976	Grease Fitting (Outside Shaft)	2
35	● 1186246	Jam Nut, 7/16-20	1	88	1110086	45° Grease Fitting (Center Shaft Only) (1)(2)(3)(4)(5) ..	1
36	1722855	Rod Leveling (Front)	1		1731503	45° Grease Fitting (Center Shaft Only) (6)	1
37	● 1100349	Cotter Pin, 1/8 x 3/4	6	89	1722848	Front Pin	2
38	1722841	L.H. Lift Arm Assy.	1	90	1703011	Spring Cotter	6
39	1722856	Rod Leveling (Rear)	1	91	1722840	R.H. Lift Arm Assy.	1
40	1112588	Clevis Pin (1)(2)	3	92	1185714	Pyramidal Type Lockwasher ..	8
41	1725317	L.H. Torsion Spring (2)(3)(4)(5)(6)	1	93	1722838	R.H. Hitch Plate	1
42	1722839	L.H. Hitch Plate	1	94	1725316	R.H. Torsion Spring (2)(3)(4)(5)	1
43	● 1890234	Flat Washer, 1/2	8	95	1723205	Lift Link Assy. (Used On Gear Drive Tractors)	1
44	1716793	Wheel, 5" Diameter (1)(2)(3)(4)(5)	2	96	1722849	Rear Pin (6)	2
	181036	Wheel, 5" Diameter (6)	2	97	1722846	Link Assy.	1
45	1719742	Gauge Wheel Axle	2	98	1722958	Lift Link (Used On Hydrostatic Drive Tractors)	1
46	1719672	Klik Pin	2	99	1716759	Idle Arm	1
47	1722725	(Caution) Decal (1)(2)	1	100	1716776	Spacer	1
48	1703073	Thrust Washer	1	101	● 1100078	Capscrew, 5/16-18 x 7/8 (1)(2)(3)(4)(5)	12
49	1719469	Wave Washer	1		● 1185670	Capscrew, 5/16-18 x 7/8 (6) ..	12
50	1732499	Top Locknut, 5/16-18 (6) ..	5				
51	● 1100049	Capscrew, 3/8-16 x 2-1/4 ..	1				
52	1185828	Ball Bearing	6				
53	1720999	Spacer	3				
54	1722865	Bearing Housing	3				

- (1) 18423-01
- (2) 18423-02
- (3) 18423-03
- (4) Serial Number 0400101 thru 0499999
- (5) Serial Number 0500101 thru 0599999
- (6) Serial Number 0600101 and up

- *1714207 Repair Kit for Joint Marked 6N
- *1714208 Repair Kit for Joint Marked NEAPCO
- **Not included with mower from Serial Number 0400101 and up. Parts shipped with tractor.
- Common Hardware - Purchase Locally (Grade 5 where applicable).

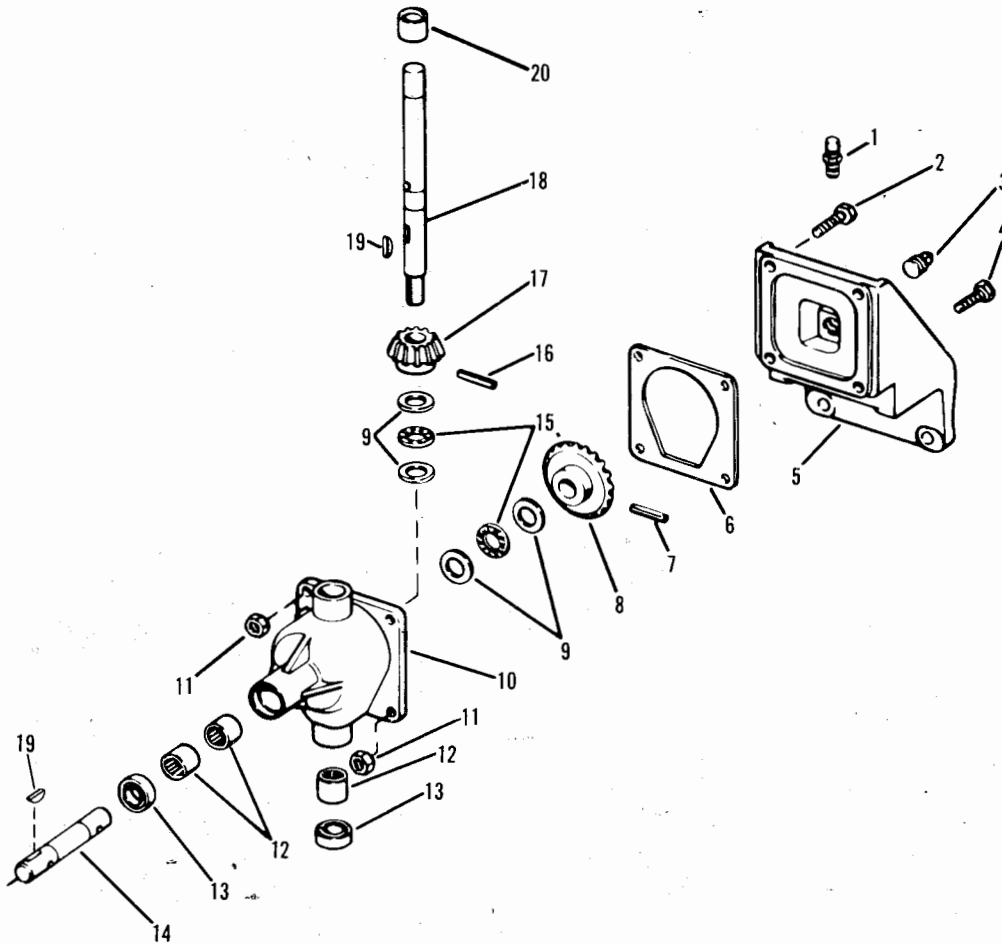


Figure 2 GEAR CASE ASSEMBLY

REF. NO.	PART. NO.	DESCRIPTION	NO. REQ'D.	REF. NO.	PART. NO.	DESCRIPTION	NO. REQ'D.
1	1721442	Pressure Relief Valve	1	11	● 1110107	Locknut, 5/16-18	4
2	● 1106882	Capscrew, 5/16-18 x 1-1/4	2	12	1185010	Needle Bearing	3
3	1105678	Plug, 3/8	1	13	1185296	Seal	2
4	● 1106898	Capscrew, 5/16-18 x 3	2	14	1713676	Horizontal Shaft	1
5	1716767	Gear Case Support.	1	15	1185431	Thrust Bearing	2
6	1713662	Gasket.	1	16	1185218	Roll Pin, 1/4 x 1-1/8	1
7	1185284	Roll Pin, 1/4 x 2	1	17	1722674	Gear, 20T	1
8	1722673	Gear, 24T	1	18	1714754	Vertical Shaft	1
9	1185432	Thrust Race	4	19	1104436	Woodruff Key, 3/16 x 3/4.	1
10	1716345	Gear Case Only	1	20	1713665	Needle Bearing	1

● Common Hardware - Purchase Locally
(Grade 5 where applicable).