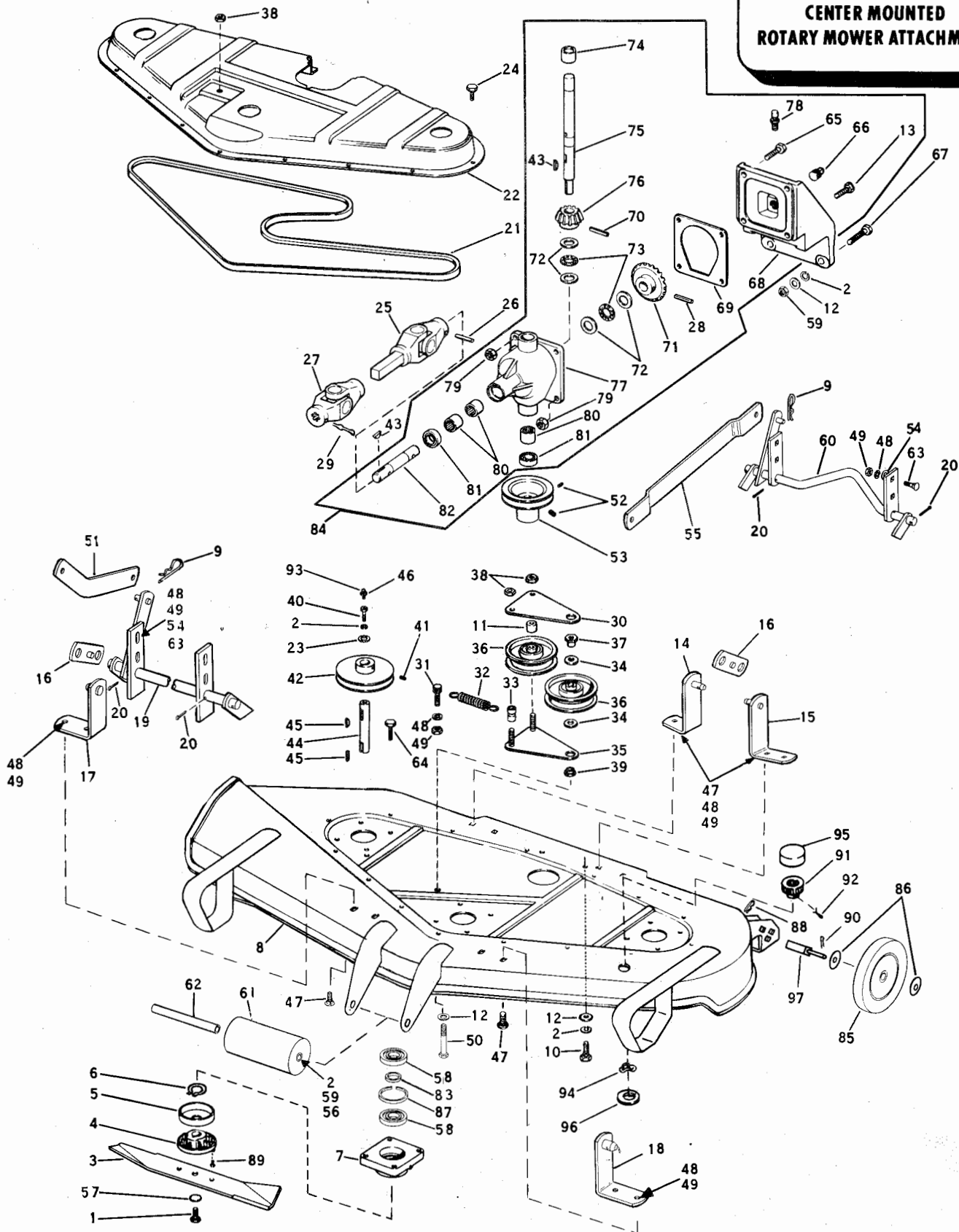


ILLUSTRATED PARTS LIST

MODEL 18421-01

**42 INCH
CENTER MOUNTED
ROTARY MOWER ATTACHMENT**



42" ROTARY MOWER MODEL 18421-01

Ref. No.	Part No.	Description	No. Req'd
1	1100 009	Capscrew-H. T. 3/8-24 x 1	3
2	1100 243	Lock Washer 3/8	9
3	1721 299	Mower Blade	3
4	1719 040	Drive Hub	3
5	1716 744	Cap	3
6	1185 708	Retaining Ring	3
7	1719 330	Bearing Housing	3
8	1721 311	Base	1
9	1703 011	Spring Cotter	10
10	1106 919	Capscrew 3/8-16 x 1	2
11	1716 778	Spacer	1
12	1107 383	Flat Washer 3/8	5
13	1106 898	Capscrew 5/16-18 x 3	2
14	1720 490	Bracket R.H. Rear	1
15	1720 489	Bracket L.H. Rear	1
16	1720 491	Lift Arm	4
17	1720 488	Bracket R.H. Front	1
18	1720 487	Bracket L.H. Front	1
19	1720 492	Lift Arm Front	1
20	1100 350	Cotter Pin 1/8 x 1	4
21	1185 651	Drive Belt 114-5/32"	1
22	1721 067	Belt Cover	1
23	1708 755	Washer	3
24	1185 671	Capscrew 1/4-20 x 1/2	15
*25	1713 650	Universal Joint and Shaft	1
26	1185 220	Roll Pin 3/16 x 1-1/2	1
*27	1715 008	Universal Joint	1
28	1185 284	Roll Pin 1/4 x 2	1
29	1716 369	Cotter Pin Special	1
30	1716 760	Idler Arm	1
31	1715 210	Anchor Bolt	1
32	1716 777	Spring	1
33	1716 779	Spacer	1
34	1714 233	Bearing	2
35	1716 759	Idler Arm	1
36	1714 742	Idler Pulley	2
37	1716 775	Nut - Special	1
38	1185 506	Jam Nut 3/8-16	3
39	1716 776	Spacer	1
40	1719 331	Bolt	3
41	1103 466	Set Screw 5/16-18 x 3/8	6
42	1716 763	Blade Drive Pulley	3
43	1104 436	Woodruff Key 3/16 x 3/4	2
44	1719 329	Drive Shaft	3
45	1108 852	Sq. Key 3/16 x 3/4	6
46	1104 954	Grease Fitting Outside Shaft Only	2
47	1111 265	Carriage Bolts 5/16-18 x 3/4	8
48	1100 242	Lockwasher 5/16	17

Ref. No.	Part No.	Description	No. Req'd
49	1103 839	Hex Nut 5/16-18	17
50	1106 934	Capscrew 3/8-16 x 2-1/4	1
51	1720 479	Control Link	1
52	1103 490	Set Screw 3/8-16 x 3/8	2
53	1716 749	Pulley	1
54	1100 255	Flat Washer 5/16	8
55	1720 480	Link	1
56	1106 958	Capscrew 3/8-16 x 6	1
57	1185 715	Lockwasher Pyramidal 3/8	3
58	1185 828	Ball Bearing	6
59	1103 840	Hex Nut 3/8-16	3
60	1720 493	Lift Arm Rear	1
61	1720 577	Roller	1
62	1720 578	Spacer	1
63	1106 876	Capscrew 5/16-18 x 7/8	8
64	1185 670	Capscrew 5/16-18 x 7/8	12
65	1106 882	Capscrew 5/16-18 x 1-1/4	2
66	1105 678	Plug 3/8	1
67	1106 927	Capscrew 3/8-16 x 1-1/2	2
68	1716 767	Gear Case Support	1
69	1713 662	Gasket	1
70	1185 218	Roll Pin 1/4 x 1-1/8	1
71	1715 634	Gear - 19T	1
72	1185 432	Thrust Race	4
73	1185 431	Thrust Bearing	2
74	1713 665	Needle Bearing	1
75	1714 754	Vertical Shaft	1
76	1715 635	Gear - 16T	1
77	1716 345	Gear Case Only	1
78	1185 626	Air Vent Fitting	1
79	1110 107	Lock Nut 5/16-18	4
80	1185 010	Needle Bearing	3
81	1185 296	Seal	2
82	1713 676	Horizontal Shaft	1
83	1720 999	Spacer	3
84	1716 773	Complete Gear Case Assy	1
85	1716 793	Wheel 5" Dia.	2
86	1890 234	Flat Washer 1/2	2
87	1718 706	Cup Spacer Ring	3
88	1719 672	Klic Pin	4
89	1177 330	Rivet	6
90	1100 349	Cotter Pin 1/8 x 3/4	2
91	1719 461	Washout Flange	1
92	1100 352	Cotter Pin 1/8 x 1-1/2	1
93	1110 086	Grease Fitting 45° Center Shaft Only	1
94	1719 469	Wave Washer	1
95	1719 467	Protector Cap	1
96	1703 073	Thrust Washer	1
97	1719 742	Gauge Wheel Axle	2

* 1714 207 Repair Kit for Joint Marked 6N

* 1714 208 Repair Kit for Joint Marked NEAPCO



BOLENS

PORT WASHINGTON, WISCONSIN, U.S.A.

PRINTED IN U.S.A.

FORM NO. P-551948

11/68