

---

# ***Bolens***<sup>®</sup>

**Side Discharge  
Mower Attachment  
42 Inch**

**Model 50042S**

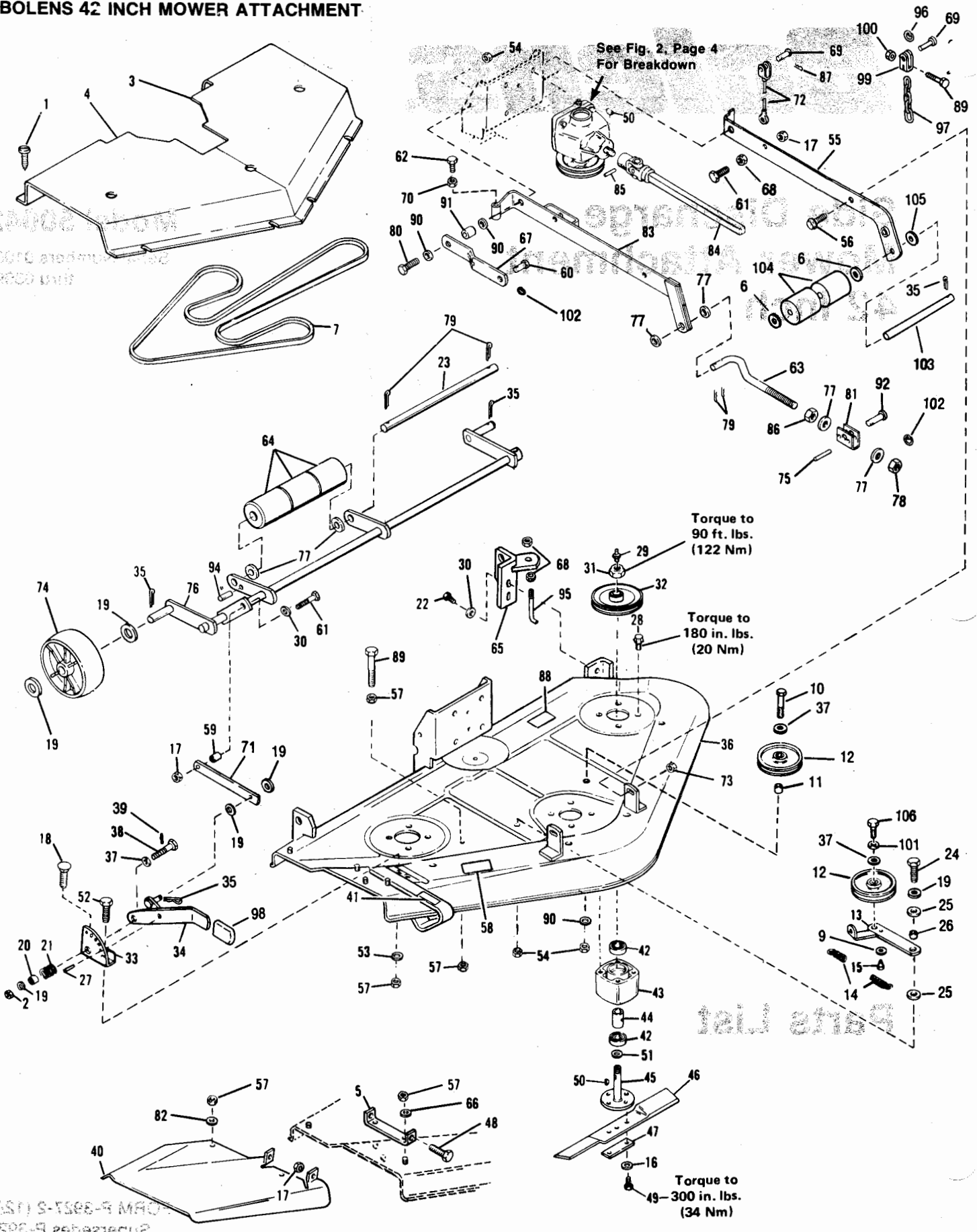
Serial Numbers 0100101  
thru 0399999

**Parts List**

FORM P-3927-2 (12/87)  
Supersedes P-3927-1

# BOLENS 42 INCH MOWER ATTACHMENT

103070  
103071  
103072



FORM R-3851-S (1-587)  
1-3851-1

REF. NO.	PART NO.	DESCRIPTION	NO. REQ'D	REF. NO.	PART NO.	DESCRIPTION	NO. REQ'D
1	1724492	Self Driving Screw, 10-24 x 1/2...	8	51	1740627	Flat Washer, Special	3
2	• 1185496	Lock Nut, 1/2-13	1	52	• 1100044	Hex Capscrew, 5/16-18 x 3/4	1
3	1746929	Belt Cover, LH	1	53	• 1100255	Flat Washer, 5/16	2
4	1746828	Belt Cover, RH	1	54	1734514	Lock Nut, 1/2-13	4
5	1728005	Hinge Bracket	1	55	1746811	Support Assembly LH (1)	1
6	• 1107386	Flat Washer, 5/8	2		1751721	Support Assembly LH (2) (3)	1
7	1746823	V-Belt (105")	1	56	• 1186347	Flange Screw 3/8-16 x 1	2
8	1186247	Jam Nut 1/2-20 (1)	1	57	1732499	Top Locknut, 5/16-18	8
9	• 1103959	Lockwasher, 10	1	58	1750713	Decal, Mower	1
10	• 1100067	Hex Screw 1/2-13 x 2 (1)	1	59	1738160	Spacer	1
	• 1100075	Hex Screw 1/2-13 x 2-1/4 (2) (3)	1	60	1752309	Clevis Pin	2
11	1730681	Spacer	1	61	• 1100047	Capscrew, 3/8-16 x 1-1/2	3
12	1724925	Idler Pulley (1)	2	62	• 1186351	Fl. Screw 3/8-16 x 2 (1)	2
	1752354	Idler Pulley (2) (3)	2	63	1746170	Hitch Link	2
13	1746822	Idler Arm (1)	1	64	1747107	Roller	3
	1752355	Idler Arm (2) (3)	1	65	1748097	Shaft Support Assembly	1
14	1724822	Extension Spring	1	66	• 1107382	Flat Washer 5/16	2
15	1724924	Wear Button	1	67	1746169	Drag Link	2
16	• 1100243	Lockwasher, 3/8	6	68	• 1185506	Jam Nut 3/8-16	4
17	• 1733398	Lock Nut, 3/8-16	5	69	• 1112587	Clevis Pin	2
18	• 1186098	Carriage Bolt, 5/16-18 x 3/4	1	70	• 1186231	Hex Nut, 3/8-16 (1)	2
19	• 1107385	Flat Washer, 1/2	8	71	1738369	Link, Connecting	1
20	1715387	Spacer	1	72	1750123	Lift Cable (1)	2
21	1716583	Spring	1	73	• 1186393	Flange Nut 3/8-16	2
22	• 1100046	Hex Screw 3/8-16 x 1	2	74	1735583	Gage Wheel	2
23	1738111	Axle Roller	1	75	1185597	Roll Pin 3/16 x 1-1/8	4
24	• 1100064	Capscrew, 1/2-13 x 1-1/2 (1)	1	76	1746818	Pivot Shaft Assembly	1
	• 1100055	Capscrew, 1/2-13 x 1-1/4 (2) (3)	1	77	1185830	Flat Washer	10
25	1724929	Trust Washer	2	78	1110113	Hex Nut 3/4-10	2
26	1728030	Bearing Sleeve	1	79	• 1100351	Cotter Pin, 1/8 x 1-1/4	6
27	1733103	Drive Pin, 5/16-18 x 3/4	1	80	• 1100065	Hex Screw 1/2-13 x 1-3/4	2
28	1724491	Flange Screw, 5/16-18 x 3/4	12	81	1746171	Hitch Bracket	2
29	1185976	Grease Fitting	3	82	1713233	Flat Washer	2
30	• 1107383	Flat Washer 3/8	3	83	1746812	Mower Hanger, RH (1)	1
31	• 1185093	Locknut, 3/4-16	3		1751722	Mower Hanger RH (2) (3)	1
32	1727555	Blade Sheave (1)	3	84	1744906	Drive Assembly	1
	1752307	Blade Sheave (2) (3)	3	85	1185376	Roll Pin, 3/16 x 1-1/2	1
33	1724843	Quadrant	1	86	1186236	Hex Nut 3/4-10	2
34	1748019	Handle Assembly (1) (2)	1	87	1703011	Cotter Spring (1)	2
	1753976	Handle Assembly (3)	1	88	1730200	Belt Drive Decal	1
35	• 1100350	Cotter Pin, 1/8 x 1	6	89	• 1100808	Hex Screw 5/16-18 x 1-1/4	3
36	1746820	Mower Base Ass'y (1)	1	90	• 1100257	Flat Washer, 1/2	5
	1753733	Mower Base Ass'y (Incl. Ref. 58) (2) (3)	1	91	1746172	Spacer	2
37	• 1890234	Flat Washer, 1/2	3	92	1752308	Clevis Pin	2
38	1731547	Special Screw	1	94	1177625	Drive Pin, 1/8 x 3/4	1
39	1185256	Roll Pin, 3/16 x 7/8	1	95	1742328	Hook	2
40	1750689	Discharge Chute	1	96	1751908	Circle Cotter (2) (3)	2
41	1729037	Decal, Cutting Line	1	97	1752129	Chain (2) (3)	2
42	1185828	Ball Bearing	6	98	1753978	Grip (3)	1
43	1724029	Spindle Housing	3	99	• 1110107	Lock Nut 5/16-18 (2) (3)	2
44	1746869	Spacer	3	100	1753009	Clevis (2) (3)	2
45	1742606	Shaft Assembly	3	101	• 1100245	Lock Washer 1/2 (2) (3)	1
46	1727926	Blade	3	102	1751909	Ring Cotter (2) (3)	4
47	1724051	Plate	3	103	1751705	Roller Shaft (2) (3)	1
48	• 1100913	Hex Screw, 3/8-16 x 7/8	2	104	1751704	Roller (2) (3)	2
49	• 1100009	Capscrew, 3/8-24 x 1	6	105	1705093	Flat Washer (2) (3)	1
50	1104436	Woodruff Key, 3/16 x 3/4	4	106	• 1100055	Hex Screw 1/2-13 x 1-1/4 (2) (3)	1
				NI	1736796	Dark Green Spray Paint, 13 oz.	

• Common Hardware-Purchase Locally (Grade 5 where applicable)

(1) Serial No. 0100101 thru 0199999

(2) Serial No. 0200101 thru 0299999

(3) Serial No. 0300101 thru 0399999

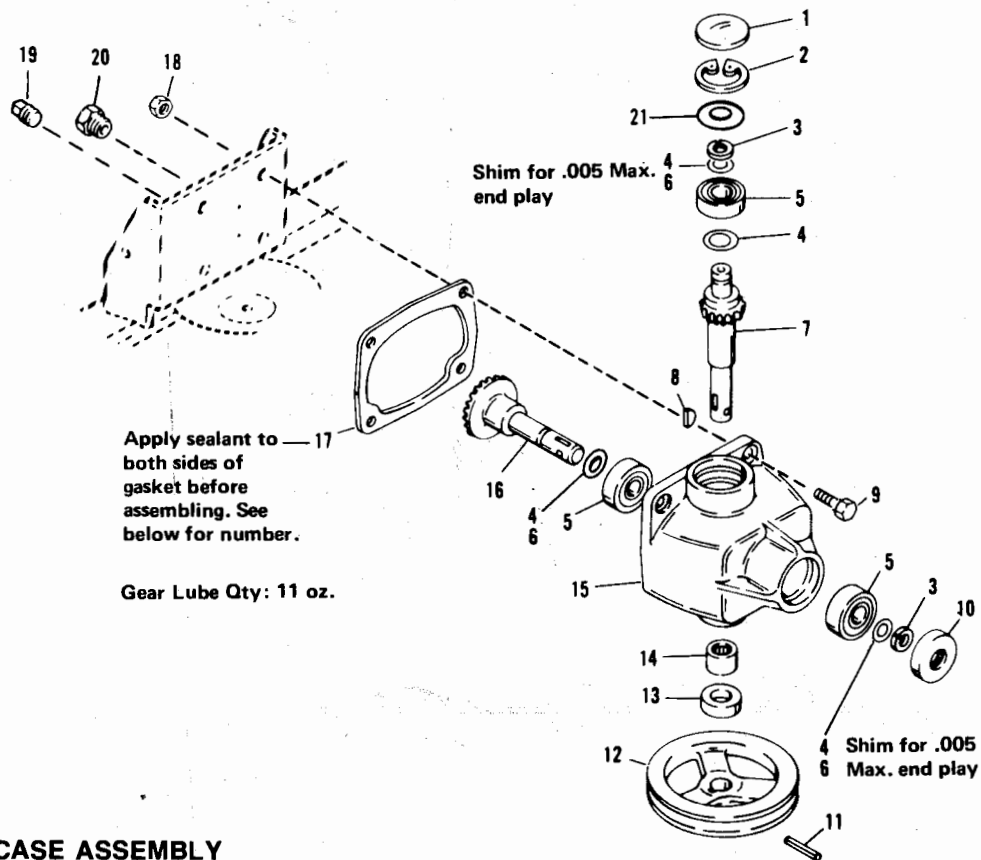


Figure 2 GEAR CASE ASSEMBLY

REF. NO.	PART NO.	DESCRIPTION	NO. REQ'D.	REF. NO.	PART NO.	DESCRIPTION	NO. REQ'D.
1	1711380	Expansion Plug	1	12	1744919	Drive Sheave	1
2	1118730	Retaining Ring	1	13	1185296	Oil Seal	1
3	1185649	Retaining Ring	2	14	1185280	Needle Bearing	1
4	1728832	Shim Washer .005	AR	15	1723754	Gear Case	1
5	1724813	Ball Bearing	3	16	1724906	Bevel Gear, 26T	1
6	1728833	Shim .010	AR	17	1745476	Gear Case Gasket	1
7	1724905	Output Shaft	1	18	1732499	Top Lock Nut, 5/16-18	4
8	1104436	Woodruff Key, 3/16 x 3/4	1	19	1105678	Square Plug, 3/8 NPT	1
9	● 1100808	Hex Hd. Capscrew, 5/16-18 x 1-1/4	4	20	1721442	Pressure Relief Valve	1
10	1723758	Oil Seal	1	21	1718781	Shim .005	AR
11	1737419	Drive Pin, 1/4 x 1-1/2	1	NI	1723456	Gear Lube, EP90 (8 oz.)	
				NI	1730118	Sealant 3 oz.	

● Common Hardware - Purchase Locally (Grade 5 where applicable)