

**MODEL HH100 - 10.0 H.P.
MODEL HH120 - 12.0 H.P.**

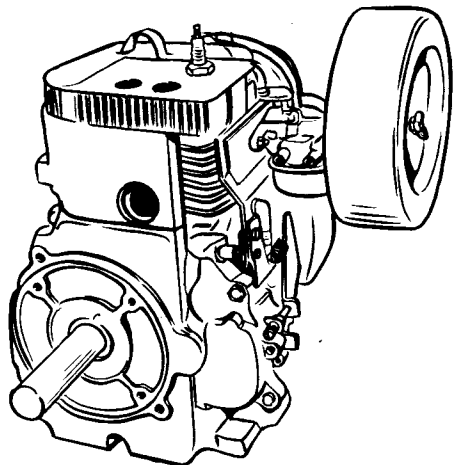
RANGE IN HORSEPOWER

MODEL HH100

5.30 H.P. @1800 R.P.M.
7.60 H.P. @2400 R.P.M.
9.25 H.P. @3000 R.P.M.
10.00 H.P. @3600 R.P.M.

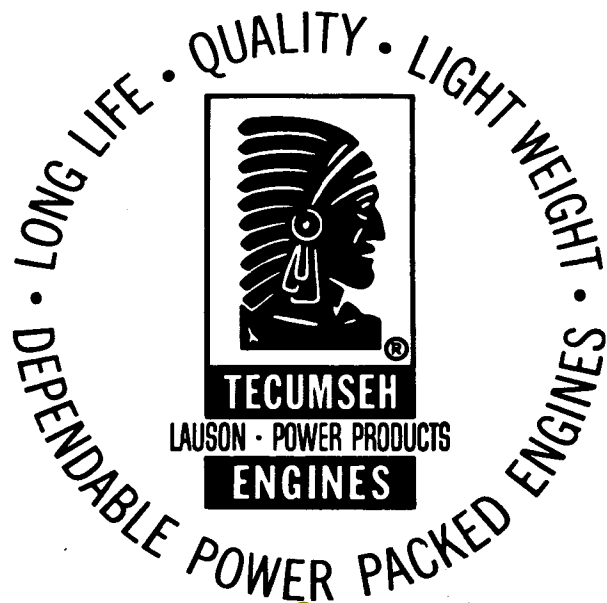
MODEL HH120

6.15 H.P. @1800 R.P.M.
8.90 H.P. @2400 R.P.M.
10.70 H.P. @3000 R.P.M.
12.00 H.P. @3600 R.P.M.



SPECIFICATIONS

BORE—HH100—3-5/16 inches
BORE—HH120—3-1/2 inches
STROKE—HH100—2-3/4 inches
STROKE—HH120—2-7/8 inches
DISPLACEMENT—HH100—23.7 cubic inches
DISPLACEMENT—HH120—27.66 cubic inches
TYPE—4 cycle, L-head, horizontal crankshaft, single cylinder
DIRECTION OF ROTATION—(viewed from power take-off side) counterclockwise.
SPARK PLUG—14mm
IGNITION—High tension external flywheel type magneto with external stop switch - points located in dust and moisture tight enclosure external to engine - entire ignition system can be serviced without removing flywheel (battery ignition optional)
LUBRICATION—Positive splash type
CARBURETOR—Automotive float feed type
CONNECTING ROD—High strength aluminum alloy
AIR CLEANER—Large capacity pleated paper
CRANKSHAFT—Ductile iron - heat treated crankpin
GOVERNOR—Efficient mechanical type to insure positive control of engine speed
CYLINDER—Precision alloy cast iron
CYLINDER HEAD—Aluminum alloy
MAIN BEARINGS—Tapered roller bearings, both ends of crankshaft
PISTON—Cam ground permanent mold aluminum alloy
PISTON RINGS—Chrome plated top ring for extra wear resistance, scraper second ring, expansion oil ring
VALVE GUIDES—Integral with cylinder casting
VALVE LIFTERS—Precision machined and heat treated
INTAKE VALVE—Austenitic steel
EXHAUST VALVE—Austenitic steel with "stellite" seating surface
OIL CAPACITY—HH100—3 pints
OIL CAPACITY—HH120—40 ounces



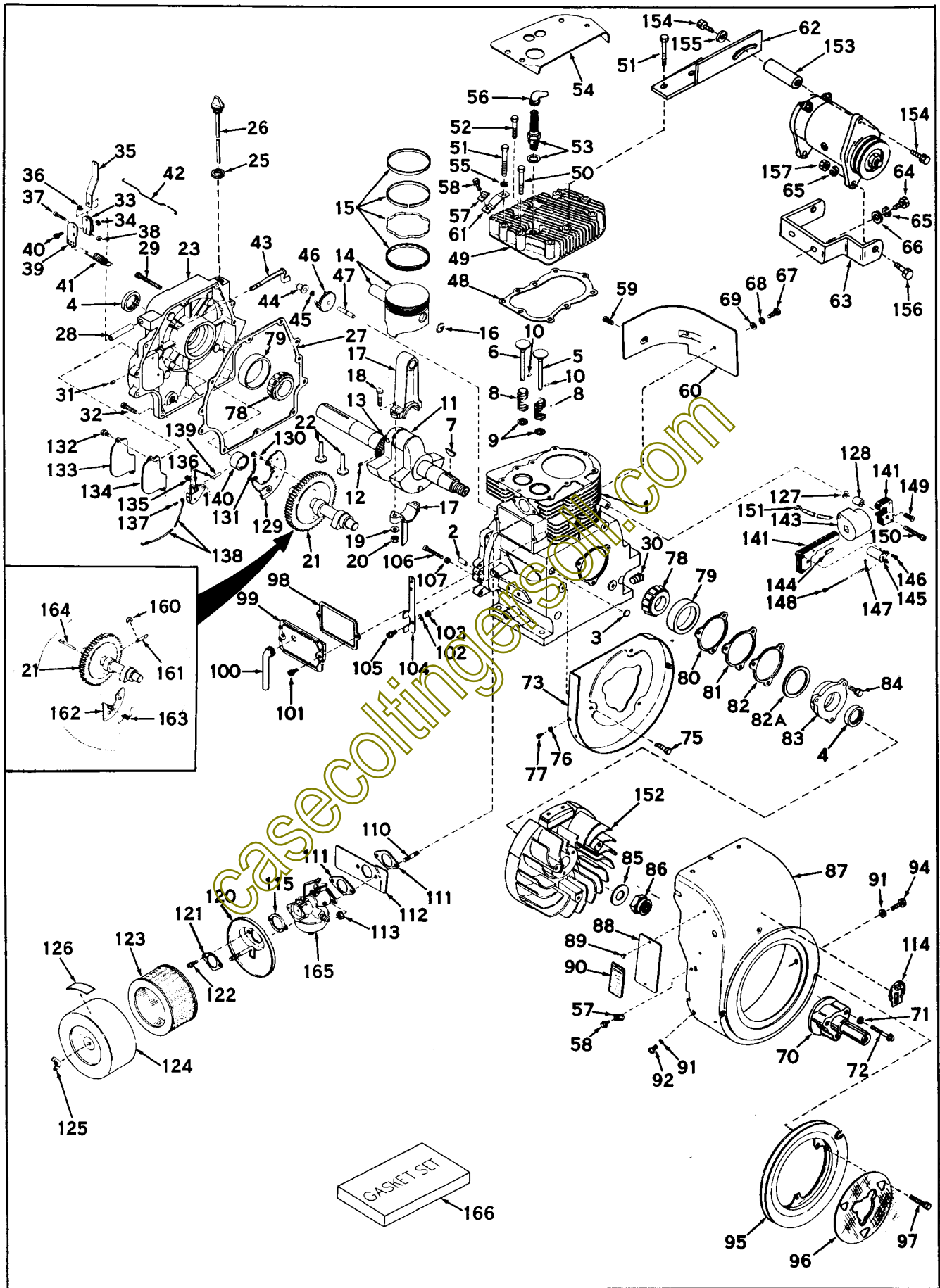
**Operating and Maintenance
Instructions
and
Parts List**

MODELS

**HH100-115035
HH120-120003**

**As Manufactured For
COLT MANUFACTURING CO.**

TECUMSEH ENGINE MODELS HH100-115035 AND HH120-120003



PARTS LIST

Ref. No.	Part No.	Part Name	Ref. No.	Part No.	Part Name
1	32010	Cylinder Assy. (Incl. Nos. 2, 3, 4, 30, 47 & 110) (Model HH100)	39	31965	Plate, Governor spring
1	32253	Cylinder Assy. (Incl. Nos. 2, 3, 4, 30, 47 & 110) (Model HH120)	40	30312	Screw, Hex washer hd., 10-32 x 1/2
2	27652	Pin, Dowel	41	31967	Spring, Governor
3	31929	Plug, Expansion	42	31968	Link, Governor
4	*31950	Seal, Oil	43	31951	Rod Assy., Governor
5	31940	Valve, Intake (Standard)	44	31948	Spool, Governor
5	31941	Valve, Intake (1/32" oversize) (Incl. No. 9)	45	29193	Ring, Retaining
6	31942	Valve, Exhaust (Standard)	46	31947	Gear Assy., Governor
6	31943	Valve, Exhaust (1/32" oversize) (Incl. No. 9)	47	31930	Shaft, Governor
7	650592	Key, Flywheel	48	*32000	Gasket, Cylinder head (Model HH100)
8	31944	Spring, Valve	48	*32246	Gasket, Cylinder head (Model HH120)
9	31945	Cap, Lower valve spring (Std.)	49	31961	Head, Cylinder
9	31946	Cap, Lower valve spring (1/32" oversize)	50	6023	Screw, Hex hd. cap, 5/16-18 x 2
10	20810	Pin, Valve spring retaining	51	26952	Screw, Hex hd. cap, 5-16-18 x 2-1/4
11	32250	Crankshaft Assy. (Incl. Nos. 12 & 13) (Model HH100)	52	650589	Screw, Hex hd. cap, 5/16-18 x 1.38
11	32251	Crankshaft Assy. (Incl. Nos. 12 & 13) (Model HH120)	53	21943	Plug, Spark (Champion J-8 or equiv.)
12	29783	Pin, Crankshaft gear	54	31962	Cover, Cylinder head
13	31931	Gear, Crankshaft	55	26073	Washer, Flat
14	32001	Piston & Pin Assy. (Incl. 2 of No. 16) (Std.) (Model HH100)	56	27276	Cover, Spark plug
14	32002	Piston & Pin Assy. (Incl. 2 of No. 16) (.010 oversize) (Model HH100)	57	27793	Clip, Conduit
14	32003	Piston & Pin Assy. (Incl. 2 of No. 16) (.020 oversize) (Model HH100)	58	28942	Screw, Hex hd. Sems, 10-32 x 3/8
14	32238	Piston & Pin Assy. (Incl. 2 of No. 16) (Std.) (Model HH120)	59	650128	Screw, Fil. hd. Sems, 10-24 x 1/2
14	32239	Piston & Pin Assy. (Incl. 2 of No. 16) (.010 oversize) (Model HH120)	60	31976	Extension, Blower housing
14	32240	Piston & Pin Assy. (Incl. 2 of No. 16) (.020 oversize) (Model HH120)	61	30972	Bracket, Choke control
15	32004	Ring Set, Piston (Standard) (Model HH100)	62	32208	Bracket, Starter adjusting
15	32005	Ring Set, Piston (.010 oversize) (Model HH100)	63	32207	Bracket, Starter mounting
15	32006	Ring Set, Piston (.020 oversize) (Model HH100)	64	650429	Screw, Hex hd. Sems, 5/16-18 x 3/4
15	32241	Ring Set, Piston (Standard) (Model HH120)	65	3274	Lockwasher, Split, 5/16
15	32242	Ring Set, Piston (.010 oversize) (Model HH120)	66	26073	Washer, Flat
15	32243	Ring Set, Piston (.020 oversize) (Model HH120)	67	30688	Screw, Hex hd. cap, 1/4-20 x 3/4
16	31919	Ring, Piston pin retaining	68	3303	Lockwasher, Split, 1/4"
17	31933	Rod Assy., Connecting (Incl. Nos. 18, 19 & 20) (Model HH100)	69	650168	Washer, Flat, 1/4"
17	32244	Rod Assy., Connecting (Incl. Nos. 18, 19 & 20) (Model HH120)	70	32252	Shaft, Flywheel extension
18	32077	Bolt, Connecting rod	71	27513	Lockwasher, Split, 1/4"
19	26073	Washer, Connecting rod	72	650617	Screw, Ferry cap, 1/4-20 x 1-3/4
20	28264	Nut, Lock	73	31975	Baffle, Blower housing
21	32116	Camshaft Assy. (Incl. Nos. 129, 130, 131 & 160 thru 164) (Model HH100)	75	650561	Screw, Hex hd. cap, 1/4-20 x 5/8
21	32245	Camshaft Assy. (Incl. Nos. 129, 130, 131 & 160 thru 164) (Model HH120)	76	28545	Grommet
22	31939	Lifter, Valve	77	28547	Screw, Rd. hd. self-tap, 8-32 x 5/16
23	32036	Cover, Cylinder (Incl. Nos. 4, 28 & 31)	78	31932	Bearing, Tapered roller
25	*29673	Gasket, Dipstick	79	31928	Cup, Bearing
26	32037	Dipstick, Oil (Incl. No. 25)	80	*31970	Gasket, Shim (.003/.004 thick, see note 1)
27	*31956	Gasket, Cylinder cover	81	*31971	Gasket, Shim (.004/.005 thick, see note 1)
28	31949	Bearing, Governor rod	82	*31972	Gasket, Shim (.005/.007 thick, see note 1)
29	650588	Screw, Hex hd. Sems, 1/4-20 x 2	82A	32031	Spacer, Steel (.010 thick, see note 1)
30	31927	Plug, Oil drain	83	31969	Cover, Cylinder
31	29783	Pin	84	650512	Screw, Hex hd. Sems, 5/16-18 x 7/8
32	30564	Screw, Hex hd. Sems, 1/4-20 x 1	85	650615	Washer, Flat
33	31964	Clamp, Governor lever	86	650616	Nut, Flywheel, pilot
34	29193	Ring, Retaining	87	32038	Housing, Blower
35	31963	Lever, Governor adjusting	88	31345	Plate, Identification
36	650518	Lockwasher, No. 10 E.T.	89	29309	Stud, Drive
37	650108	Screw, Fil. hd. mach., 10-24 x 7/8	90	30586	Decal, Name & Instruction
38	7975	Nut, Square, 10-24	91	8274	Lockwasher, Split, 5/16"
			92	650624	Screw, Hex hd. cap, 5/16-24 x 9/16
			94	650595	Screw, Hex hd. cap, 5/16-24 x 1/2
			95	31980	Pulley, Starter
			96	32044	Screen, Starter pulley
			97	650489	Screw, Hex hd. Sems, 1/4-20 x 3/4
			98	*31958	Gasket, Breather
			99	31957	Breather, Assembly
			100	27627	Tube, Breather
			101	650128	Screw, Fil. hd. Sems, 10-24 x 1/2
			102	28558	Washer, Wave
			103	31966	Bushing, Governor lever
			104	31984	Lever, Control

*Indicates Parts Included in Gasket Set, Ref. No. 166.

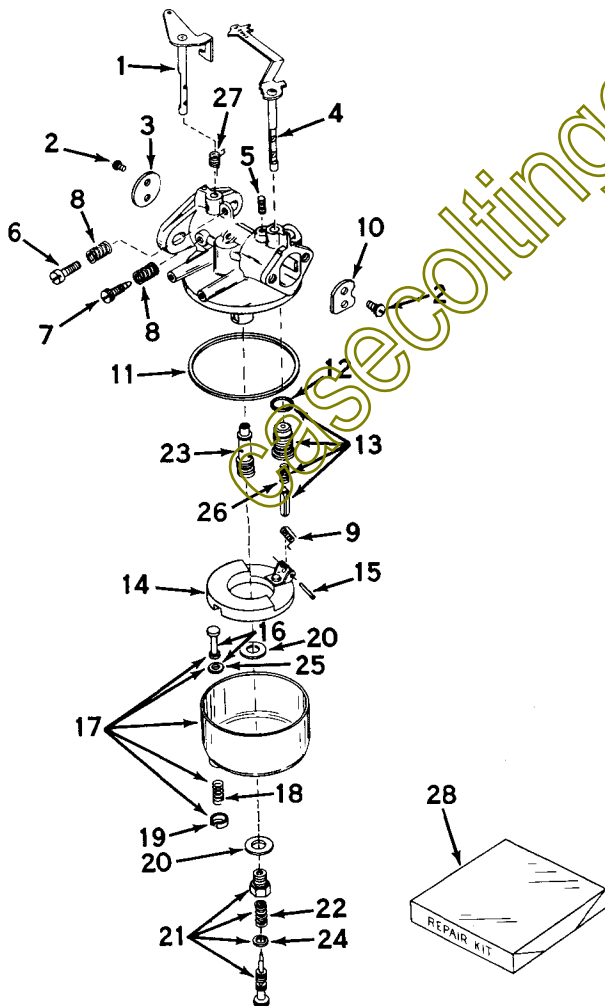
Note 1: Use of gaskets must be limited to a combined total maximum of .010 thick. Steel spacers must be used as required to allow maximum crankshaft end play tolerance of .002 to .003 to be maintained.

Ref. No.	Part No.	Part Name
105	650597	Screw, Hex washer hd., 10-24 x 5/8
106	650591	Screw, Fil. hd. mach., 10-24 x 2
107	650154	Nut, Hex, 10-24
110	650587	Stud, Carburetor
111	*31960	Gasket, Carburetor (2 Req.)
112	31959	Baffle, Air
113	29752	Nut, Hex, 1/4-28
114	32045	Decal, H.P. (Model HH100)
114	32248	Decal, H.P. (Model HH120)
115	*27272	Gasket, Air cleaner
120	32041	Bracket, Air cleaner
121	30767	Spacer, Cleaner
122	28820	Screw, Fil. hd. Sems, 10-32 x 1/2
123	32008	Element, Air cleaner
124	32009	Cover, Air cleaner
125	650513	Nut, Wing, 1/4-20
126	31752	Decal, Air cleaner
127	650168	Washer, Flat
128	31973	Spacer
129	31935	Yoke, Cam adjusting
130	31936	Rivet, Yoke
131	31937	Spring, Cam adjusting
132	650128	Screw, Fil. hd. Sems, 10-24 x 1/2
133	31954	Cover, Breaker box
134	*31955	Gasket, Breaker box
135	650596	Screw, Pan hd. Sems, 8-32 x 5/16
136	32011	Point & Push Rod Assy., Breaker (Incl. No. 139)
137	610302	Screw, Breaker

Ref. No.	Part No.	Part Name
138	31953	Wire, Points-to-Grommet
139	31952	Rod, Ignition push
140	31938	Cam, Breaker
141	32012	Core Group (Incl. Ref. No. 149)
143	32014	Coil
144	32019	Clip, Coil locking
145	32015	Condenser
146	32016	Screw, Condenser mounting
147	32017	Screw, Condenser
148	31974	Wire, Condenser-to-Grommet
149	32018	Screw, Lamination locking
150	650412	Screw, Fil. hd. Sems, 1/4-20 x 1-7/8
151	30554	Wire, Lead
152	32020	Flywheel
153	32083	Spacer, Starter
154	650512	Screw, Hex hd. Sems, 5/16-18 x 7/8
155	650570	Washer, Flat
156	650185	Screw, Hex hd. cap, 5/16-18 x 1
157	650266	Nut, Hex, 5/16-18
160	32121	Ring, Retaining
161	32120	Plunger, Compression release
162	32145	Yoke, Compression release
163	32123	Spring, Yoke
164	52122	Pin, Hinge
165	631157	Carburetor (Model HH100)
165	631251	Carburetor (Model HH120)
166	31993A	Gasket Set (incl. items marked *)

* Indicates Parts Included in Gasket Set, Ref. No. 166.

CARBURETOR NOS. 631157 & 631251



Ref. No.	Part No.	Part Name
1	31994	Shaft & Lever Assy., Throttle
2	630606	Screw, Pan hd. Sems, 4-40 x 3/16
3	31995	Shutter, Throttle
4	31996	Shaft & Lever Assy., Choke
5	27113	Spring, Choke stop
6	630605	Screw, Throttle adjusting
7	*27112	Needle, Idle adjusting
8	27114	Spring, Adjusting needle
9	31503	Spring, Float shaft
10	30927	Shutter, Choke
11	*27109	Gasket, Bowl-to-body
12	27108	Gasket, Valve seat
13	*31998	Valve, Seat, Spring & Gasket Assy. (Incl. Nos. 12 & 26) (Carburetor No. 631157)
13	32255	Valve, Seat, Spring & Gasket Assy. (Incl. Nos. 12 & 26) (Carburetor No. 631251)
14	27105	Float
15	*27106	Shaft, Float
16	32097	Stem Assy., Bowl drain (Incl. No. 25)
17	630596	Bowl & Drain Assy. (Incl. Nos. 16, 18 & 19)
18	27137	Spring, Bowl drain
19	27138	Retainer, Bowl drain stem
20	*27110	Gasket, Bowl-to-body
21	*28945	Needle Assy., Power adjusting (Incl. Nos. 22 & 24)
22	630786	Spring, Adjusting needle
23	30355	Nozzle, Main (Carburetor No. 631157)
23	32254	Nozzle, Main (Carburetor No. 631251)
24	27544	"O" ring
25	27554	Gasket, Drain stem
26	32076	Spring, Float valve
27	32096	Spring, Throttle return
28	31999	Repair Kit (Incl. items marked *) (Carburetor No. 631157)
28	32256	Repair Kit (Incl. items marked *) (Carburetor No. 631251)

BEFORE STARTING

1. Fill Fuel Tank. Do not mix oil with gasoline.
2. Fill Crankcase with oil (Fig. 1). Position equipment so that engine is setting level. Remove dipstick or filler plug, (Fig. 1). Pour oil into filler tube from which dip stick is screwed into filler opening as far as it will go when measuring oil level. DO NOT OVER FILL.

During initial "Break-In" period oil level should be watched closely see "Engine Maintenance".

OIL... Use a good oil of A.P.I. classification MS. Do not use oils marked only MM or ML or unmarked.

Above 32° use S.A.E. 30
Below 32° use S.A.E. 10W

These recommendations must be followed for best performance and long life.

Check oil level every (5) five operating hours or each time equipment is used.

Change oil every twenty-five (25) operating hours or sooner if equipment is operated in extremely dusty or dirty conditions.

Note: Carburetors are preset at the factory. DO NOT attempt to make adjustments at this time. See carburetor instructions outlined under "Carburetor Adjustments".

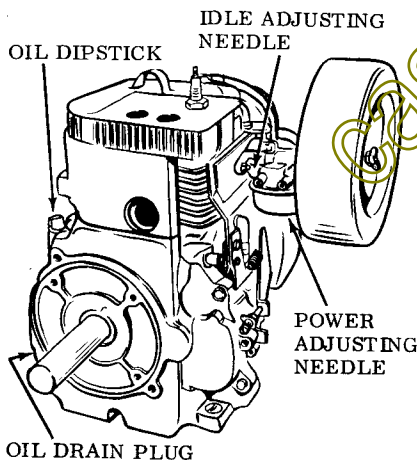


FIGURE 1

NOW, LET'S START THE ENGINE

1. Be sure that the spark plug wire is properly attached.

2. If equipment is equipped with remote engine and speed controls, set controls in "Choke" and "run" speed positions.

3. Electric Starter

A. Be sure equipment is in "neutral" all blades, clutches, belts etc. must be disengaged to relieve engine of extra load while cranking.

B. Be sure carburetor controls are properly set for starting. Be sure engine is filled with proper oil and gasoline and fuel valve is open. Be sure spark plug wire is attached.

C. Refer to tractor manual for electric starter operation.

D. When servicing the battery care must be taken to connect the wires to the battery as they were before removal. (Fig. 2) See battery manufacturer's instruction for service and storage. Battery should be maintained at 1.260 specific gravity charge.

4. As engine starts, move choke lever off "choke" position to "run" position.

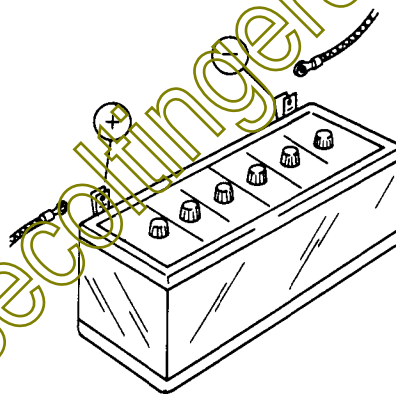


FIGURE 2

TO STOP ENGINE

1. Press stop switch and hold until engine stops running. If Key starting is used, turn key to "off position".
2. Remove high tension wire from spark plug to prevent accidental starting by children while equipment is unattended.

CARBURETOR ADJUSTMENTS

DO NOT MAKE UNNECESSARY ADJUSTMENTS. Factory settings are

correct for most applications. If adjustments are needed, proceed as follows:

1. Close power adjusting needle (Fig. 1) by turning right (clockwise). Close finger tight only. Forcing will cause damage.

2. Open 1 & 1/2 turn (counterclockwise).

3. Close idle adjusting needle (Fig. 1) by turning to right (clockwise). Close finger tight only. Forcing will cause damage.

4. Open 2 turns (counterclockwise).

5. Start engine. Follow starting instructions.

6. With throttle open (carburetor at "run" or "fast" position) adjust power needle one-eighth (1/8) turn at a time forward or backward until engine runs smoothly. If engine tends to stall under load, enrich mixture slightly (counterclockwise).

7. Hold throttle lever closed or move carburetor control to "idle or slow" position and adjust idle adjusting needle until the engine runs smoothly, proceeding as in step (6) six above.

8. Allow several seconds between each adjustment when performing either step six (6) or seven (7) to allow engine to react to new setting.

ENGINE MAINTENANCE

To obtain long life and trouble free service from your engine, certain normal maintenance must be performed as outlined below:

1. Change oil in Crankcase after first two (2) hours of operation. Then follow instructions outlined under "Oil". CAUTION: Disconnect high tension wire at spark plug to prevent accidental starting of engine. Unscrew oil drain plug located on side at bottom of engine. "Note" Always tip engine toward oil drain hole. Be sure oil drains completely.

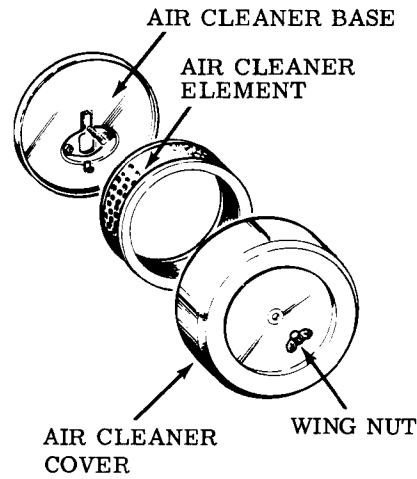
2. Replace oil drain plug and re-fill with oil as directed "under before starting" or engine name plate.

3. After each (5) five hours operating time, or each time equipment is used oil level should be checked.

(a) Engines equipped with dip stick, keep oil level at mark indicated on stick; add oil if necessary. When measuring oil level with dip stick be sure dip stick is screwed into filter opening as far as it will go.

4. Cleaning Engine. This is an air cooled engine which operates most efficiently when the Cooling fins are clean. Clean Cylinder fins and underside of tank or housing thoroughly of all accumulated debris.

5. Air Cleaner. Paper type. Serviceable. Clean element every ten hours or oftener depending if engine is being operated in dusty or dirty conditions.



(a) Remove element from housing and tap lightly to dislodge dirt. Wipe inside of housing to remove all dirt, replace element. CAUTION: Do not wash or oil this element.

STORAGE INSTRUCTIONS

In event engine is to be stored for any length of time (30 days or more) or at the end of mowing season, prepare as follows:

1. Drain gas tank completely by removing fuel line at the carburetor or fuel tank whichever is easier.

2. Drain carburetor by pressing upward on bowl drain. CAUTION: Fuel tank and carburetor should be drained into a container outdoors and away from fire or flame.

3. Inside protection of engine for storage is performed by removing spark plug and pouring one ounce of SAE 30 oil thru spark plug hole into cylinder. Crank engine with out starting several times to spread oil over cylinder walls.

casecollectingersoll.com



Be Sure To Observe Safety Precautions

1. PROVIDE EFFICIENT VENTILATION. Exhaust gases contain carbon monoxide which is odorless and is a deadly poison. Proper care must be taken to provide efficient ventilation when operating engine in closed rooms.
2. DO NOT FILL GAS TANK WHILE ENGINE IS RUNNING. Avoid spilling gasoline on a hot engine. This may cause an explosion.
3. KEEP ENGINE CLEAN. This engine is air cooled. If cooling system becomes clogged, serious damage may result. Keep blower, blower housing screen, fins on flywheel, cylinder head and block free from grass or dirt.
4. DO NOT MIX OIL WITH GASOLINE. This is a 4-cycle engine and requires oil to be used in crankcase only. DO NOT PUT OIL IN GAS TANK.
5. AT EACH OIL CHANGE be sure the crankcase of engine is thoroughly cleaned of dirt, sludge, etc. Use kerosene as a flushing oil.
6. KEEP SCREWS, NUTS AND BOLTS TIGHT.

1-414-377-2700

ENGINE WARRANTY POLICY

The Lauson-Power Products Engine Divisions of Tecumseh Products Company (Manufacturer) will, at its option, replace or repair WITHOUT CHARGE to the original purchaser any part or parts manufactured by it and found upon examination by any Manufacturer's Authorized Service Outlet or at the Manufacturer's Factory at Grafton, Wisconsin, to be DEFECTIVE IN MATERIAL AND/OR WORKMANSHIP if received for such examination, in the case of engines for use on chainsaws within thirty (30) days, and in all other cases within ONE YEAR, from date of original purchase, except that engines used to power any vehicle used in competitive racing or on commercial and/or rental tracks are not warranted in any respect.

All transportation charges on, and damages and loss incurred in connection with the transportation of parts submitted for replacement or repair under this Warranty shall be borne by the purchaser.

This warranty shall not apply to any engine or part which shall have been repaired or altered in any way by persons other than Manufacturer's Authorized Service Personnel, nor shall this warranty apply to any damage resulting from accident, alteration, misuse or abuse, nor shall this warranty apply to any damage resulting from failure to follow the Manufacturer's Instructions for operation and maintenance of engines and parts.

"The foregoing warranty IS IN LIEU OF ALL OTHER WARRANTIES, EXPRESSED, IMPLIED OR STATUTORY (INCLUDING, BUT NOT LIMITED TO, WARRANTIES OF MERCHANTABILITY AND FITNESS FOR PURPOSE) and of any other obligations and/or liabilities on the part of Manufacturer and Manufacturer neither assumes nor authorizes any other person, natural or corporate, to assume for it any other obligation or liability in connection with or with respect to any engine or parts. The Manufacturer shall in no event be liable for any consequential, incidental or special damages nor for the improper selection of an engine or part for a particular application."

This warranty shall be effective only if the attached card is properly filled out and returned to Manufacturer at the time of purchase.

AUTHORIZED LAUSON-POWER PRODUCTS CENTRAL WAREHOUSE DISTRIBUTORS

Alabama - Birmingham	Birmingham Elec. Battery Co.	2230 South 2nd Avenue
Arizona - Phoenix 9	Charlie C. Jones Battery & Electric	2440 W. McDowell Road
California - Burlingame	Frank Edwards Company	1541 Adrian Road
California - Los Angeles 15	Electric Equipment Co.	Millsdale Industrial Park
Colorado - Denver	Spitzer Industrial Prod. Co.	1611 South Hope Street
Connecticut - Hartford 14	W. J. Connell Company of Hartford	P.O. Box 15688
Florida - Tampa 1	Spencer Engine & Magneto, Inc.	43 West 9th Avenue
Georgia - Atlanta	Auto Electric of Ga., Inc.	85 Airport Road
Hawaii - Honolulu	Air-Cooled Engine Division	1214 W. Cass St.
Illinois - Chicago 23	Kokua Sales & Supply, Ltd.	P.O. Box 2579
Indiana - Indianapolis 4	Industrial Engine & Parts	115 Piedmont Ave., N.E.
Iowa - Des Moines	Equipment Service Company	829 S. Queen St.
Kentucky - Louisville 4	Lally's, Incorporated	P.O. Box 2605
Louisiana - New Orleans 18	Ellingsworth Auto Electric Co.	2345 South Pulaski Road
Louisiana - Shreveport	Suhren Engine Co., Div. A. C. Suhren Corp.	727 North Illinois Street
Massachusetts - Boston 64	Chain Battery & Automotive	118 - 4th Street
Minnesota - Minneapolis 16	W. J. Connell Company	1003-09 E. Broadway
Missouri - Kansas City 8	Auto Central Warehouse, Inc.	3000 Dante Street
Missouri - St. Louis 3	Electrical & Magneto Service Co., Inc.	215 Spring St., P. O. Box 14
Montana - Billings	Medart Auto Electric	210 Needham Street
Nebraska - Omaha	Original Equipment, Inc.	3100 Joppa Avenue
New Mexico - Albuquerque	Carl A. Anderson, Inc.	1600 Campbell Street
New York - Brooklyn	Spitzer Electrical Company	3134 Washington Avenue
New York - Buffalo 14	E. A. Wildermuth Co., Inc.	905 - 2nd Avenue, North
North Carolina - Charlotte 1	Battery & Starter Company	P.O. Box 2135
North Dakota - Fargo	E. J. Smith & Sons Co.	621 South 12th Street
Ohio - Columbus 12	United Electric Service, Inc.	1023 Third Street, N.W.
Oklahoma - Tulsa 1	Gardner, Inc.	P.O. Box 508
Oregon - Portland 9	Magneto Ignition Company	1102 Atlantic Avenue
Pennsylvania - Philadelphia 51	Tracey & Company	2505 Main Street
Pennsylvania - Pittsburgh	Sullivan Brothers	1041 Hawthorne Lane
South Dakota - Sioux Falls	Pitt Auto Electric Company	P.O. Box 10838
Tennessee - Memphis 6	Locke Auto Electric Service	312 First Avenue, North
Texas - El Paso	Bauer Auto Parts	1147 Chesapeake Avenue
Texas - Houston 3	Spitzer Autom. & Ind. Prod.	701 West Fifth Street
Utah - Salt Lake City	Wahlberg - McCreary, Inc.	P.O. Box 2449
Virginia - Richmond 30	Frank Edwards Company	937 N. W. Glisan St.
Washington - Seattle	Richmond Auto Parts Company	445 North 63rd Street
Washington - Spokane 4	Bitco Western, Inc.	5135 Baum Boulevard
Wisconsin - Milwaukee 2	Gill & Wall, Inc.	525 North Dakota Avenue
	Wisconsin Magneto Company	P.O. Box 515
		674 Walnut at E. H. Crump
		P. O. Box 7307
		1055 Stock Street
		2112 Pease Avenue
		110 South Second, West
		P. O. Box 2158
		1207 N. Boulevard
		1741-1st Avenue, South
		167 South Lincoln Street
		4727 N. Teutonia Ave.
		P.O. Box 2012

CANADA

Alberta - Calgary	Hutton's Limited	131-11th Avenue, West
Alberta - Edmonton	Loveseth Limited	10180 - 105th Street
British Columbia - Vancouver 4	Magneto Sales & Service, Ltd.	126 Gore Avenue
Ontario - Toronto 18	Addison Equipment Ltd.	915 Oxford St., Box 280
Saskatchewan - Saskatoon	Lambert Electric Co., Ltd.	114 Avenue "A", North
Nova Scotia - Halifax	Halifax Ignition Limited	6245 Quinpool Road

FOREIGN

Tecumseh Products Co., International Division, Tecumseh, Michigan, U.S.A.