

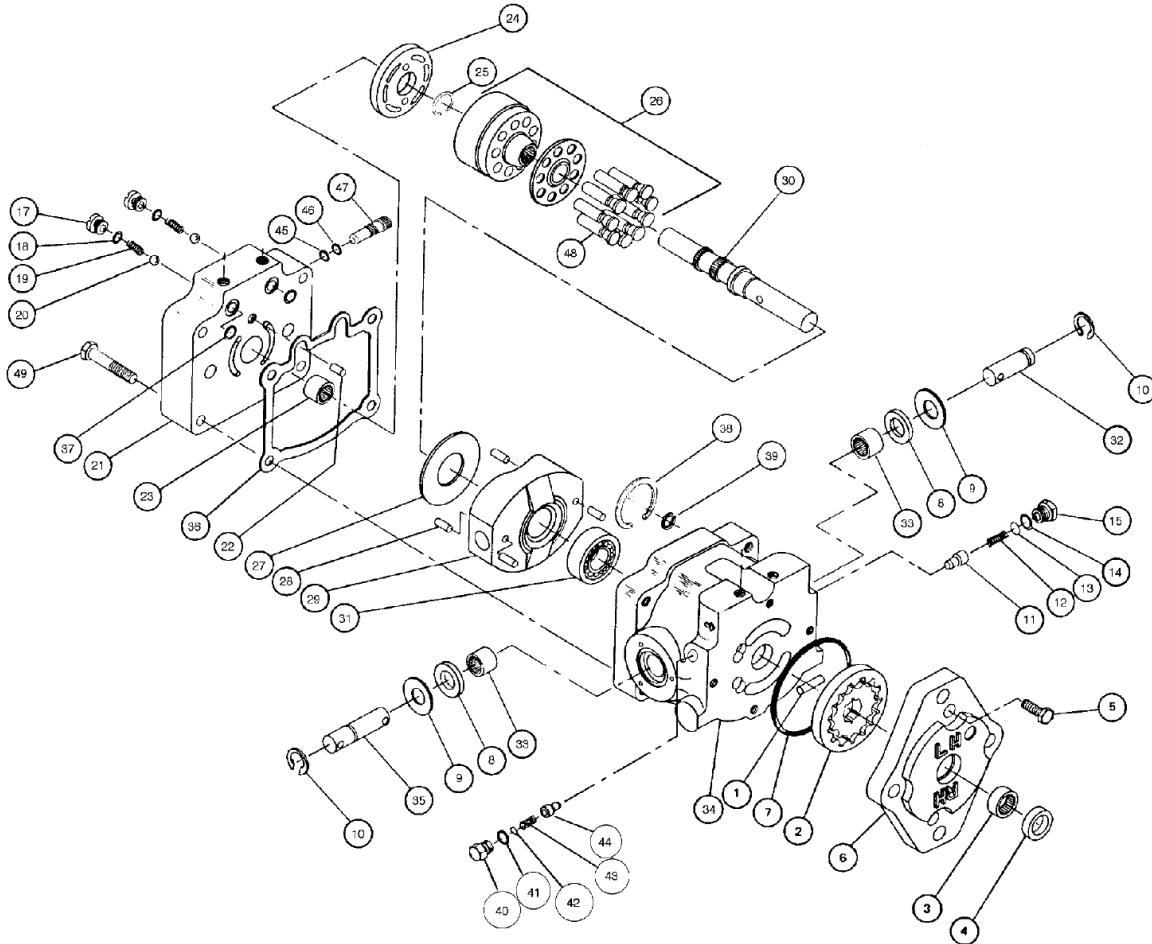
75-70010 430 Classic 20HP Onan

VENDOR: Steiner Turf

SECTION: figure listing

DIAGRAM: **sundstrand series 15 pump parts**

<https://messicks.com/st/3529?sectionId=5497&diagramId=59855>



#	Title	Description	Part Number	Price	Stock	Job Quantity	Has Image	
0	WASHER	Washer, Piston Retaining	21-069	\$15.75	1 in stock	1	yes	Add To Cart
0	SPRING TOOL	Tool, Spring Compressor (To service ref. 26)	71-009	\$16.57	3-5 business days	1	no	Add To Cart
0	21-9006300-0087	Ring, Retaining (Series 15-2264)	21-9006300-0087	Call	Call	1	no	
2	21-3104034	Gerotor Assembly (Series 15-2264)	21-3104034	Call	Call	1	no	
3	BEARING CHARGE P	Bearing, Charge Pump	21-036	\$21.09	2 in stock	1	no	Add To Cart
4	SEAL	Seal, Input Shaft	21-048	\$12.61	6 in stock	1	yes	Add To Cart
5	21-046	Screw, Hex Head 5/16 x 7/8	21-046	Call	Call	1	no	
6	HOUSING CHARGE	Housing, Charge Pump	21-031	\$396.41	3-5 business days	1	no	Add To Cart

#	Title	Description	Part Number	Price	Stock	Job Quantity	Has Image	
7	O-RING	O-Ring	21-038	\$17.86	2 in stock	1	no	Add To Cart
8	SEAL	Seal, Control Shaft	21-047	\$12.58	12 in stock	1	no	Add To Cart
9	WASHER	Washer	21-049	\$5.04	1 in stock	1	no	Add To Cart
10	RING-RETAINER	Ring, Retainer	21-045	\$1.35	3-5 business days	1	no	Add To Cart
11	KIT, VALVE IMPLE	Kit, Valve Implement Relief	21-051	\$75.46	2 in stock	1	no	Add To Cart
12	SPRING	Spring, Implement Relief	21-3102027	\$5.08	6 in stock	1	yes	Add To Cart
13	PACK	Shim Pack	21-059	\$25.02	2 in stock	1	no	Add To Cart
17	21-050	Check Valve Kit	21-050	Call	Call	1	no	
21	21-023	End Cap, Pump	21-023	Call	Call	1	no	
22	PIN	Pin, Locating	21-040	\$1.63	3-5 business days	1	no	Add To Cart
23	BEARING	Bearing, Needle	21-034	\$24.51	3 in stock	1	no	Add To Cart
24	PLATE	Plate, Valve Pump	21-026	\$286.23	3-5 business days	1	no	Add To Cart
25	RING, RETAINING	Retaining Ring	21-092	\$2.19	3-5 business days	1	no	Add To Cart
26	KIT	Cylinder Block Kit	21-029	\$0.00	3-5 business days	1	no	
27	PLATE	Plate, Thrust	21-019	\$14.26	1 in stock	1	no	Add To Cart
28	SPRING PIN	Spring Pin	21-039	\$1.35	1 in stock	1	no	Add To Cart
29	21-021	Swashplate, Variable	21-021	Call	Call	1	no	
30	SHAFT SUND. PUMP	Shaft, Pump (Series 15-2264)	21-3103848	\$219.13	3-5 business days	1	no	Add To Cart
31	BEARING SUND. PU	Bearing (Series 15-2264)	21-5000153	\$39.05	3-5 business days	1	no	Add To Cart
32	21-017	Shaft, Trunnion	21-017	Call	Call	1	no	
33	BEARING	Bearing, Bronze	21-066	\$38.06	3-5 business days	1	no	Add To Cart
34	21-3104080	Housing Assembly (Series 15-2264)	21-3104080	Call	Call	1	no	
35	SHAFT, CONTROL	Shaft, Control	21-018	\$55.45	3-5 business days	1	no	Add To Cart
36	GASKET	Gasket	21-020	\$5.62	28 in stock	1	yes	Add To Cart
37	ORING	O-Ring	21-037	\$2.58	3 in stock	1	no	Add To Cart
38	21-042	Ring, Retaining	21-042	Call	Call	1	no	
39	RING-RETAINER	Ring, Retaining (Series 15-2177)	21-044	\$1.69	3-5 business days	1	no	Add To Cart

#	Title	Description	Part Number	Price	Stock	Job Quantity	Has Image	
40	KIT, RELIEF VALV	Kit, Relief Valve Priority	21-065	\$72.73	1 in stock	1	no	Add To Cart
45	O-RING, PUMP PLU	O-Ring	21-9004100-0120	\$1.31	3-5 business days	1	no	Add To Cart
46	BACK-UP RING, PU	Backup Ring	21-9006110-0120	\$1.25	3-5 business days	1	no	Add To Cart
47	21-3103786	Bypass Valve	21-3103786	Call	Call	1	no	
48	PISTON ASSEMBLY	Assembly, Piston	21-9510621	\$27.00	6 in stock	1	no	Add To Cart
49	90-0620	Bolt, 3/8 x 2-1/2	90-0620	Call	Call	1	no	