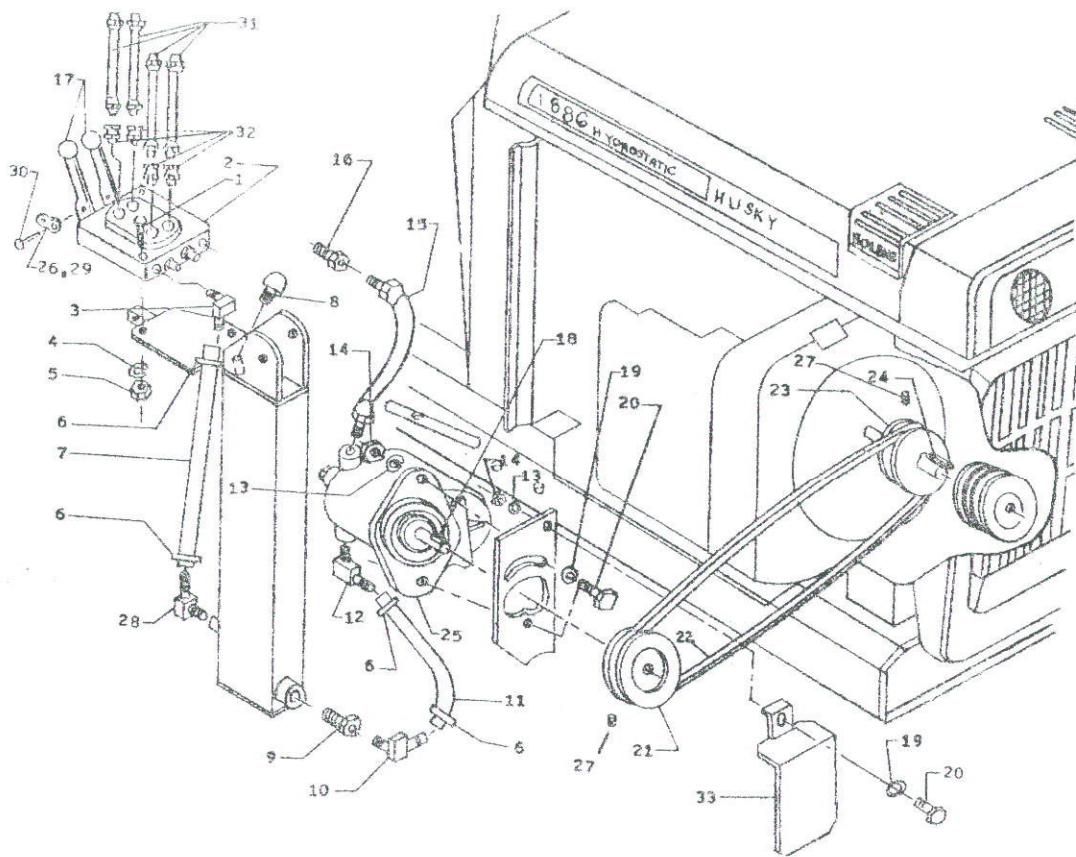


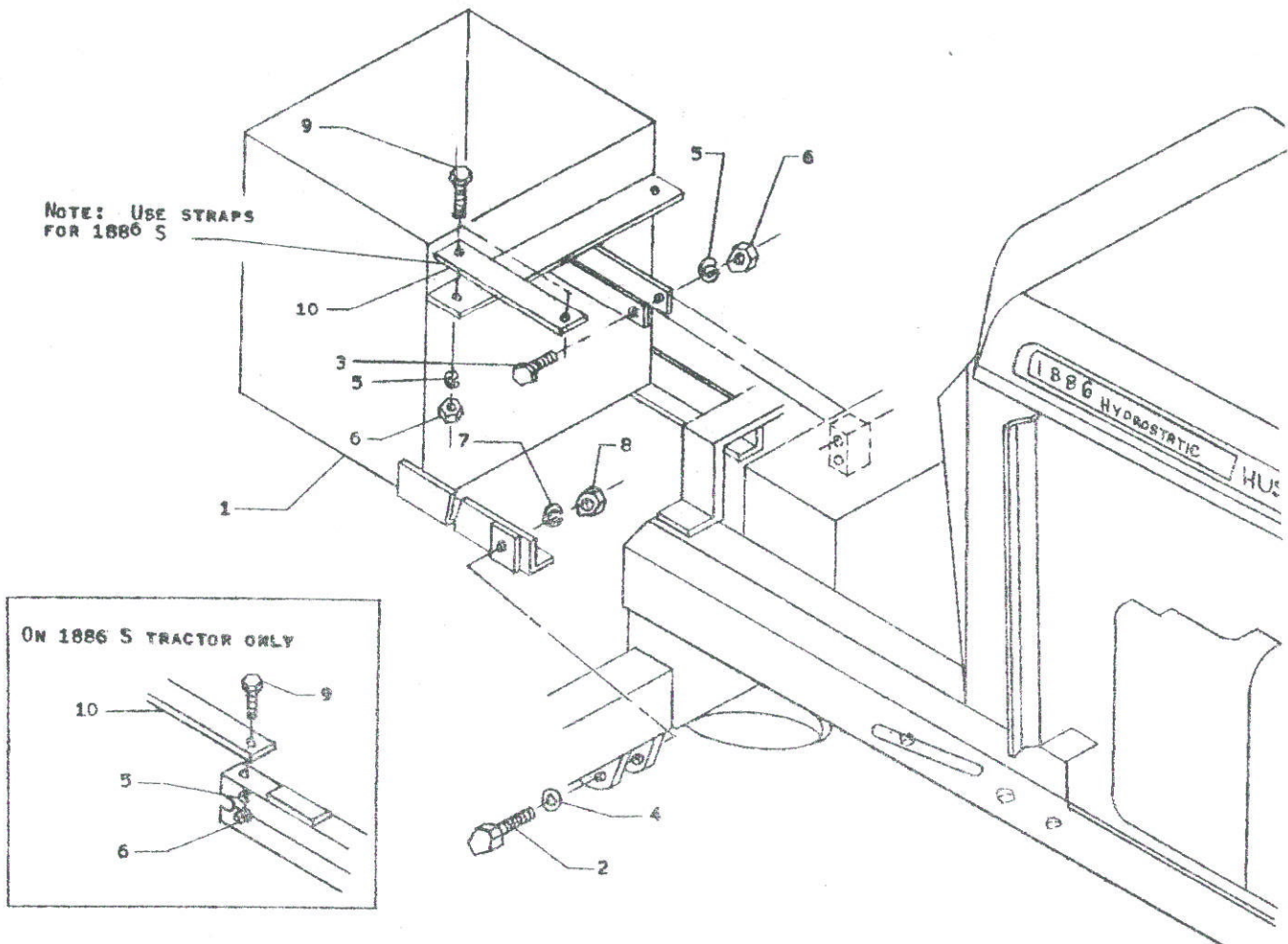
MOUNTING COMPONENTS - PARTS LIST

Index	Description	New Part No.	Old Part No.
1	RH Upright.....	605160	1988R
2	LH Upright.....	605170	1988L
3	RH Front Mount.....	605175	1989R
3	LH Front Mount.....	605185	1989L
4	Lower Tie Bar.....	605214	1990
5	Upper Tie Bar.....	605211	1991
6	Bolt, 1/2 NC x 1-1/2.....	7021	8M24
7	Bolt, 1/2 NC x 1-1/4.....	7015	8M20
8	Bolt, 3/8 NC x 1-1/4.....	6857	6M20
9	Muffler Brace.....	605212	1992
11	Washer, 3/8 Std.....	8156	6MK2
12	Lockwasher, 1/2.....	8101	8MK1
13	Lockwasher, 3/8.....	8079	6MK1
14	Nut, 1/2 NC Hex.....	7501	8MJ1
15	Nut, 3/8 NC Hex.....	7451	6MJ1



HYDRAULIC COMPONENTS - PARTS LIST

Index	Description	New Part No.	Old Part No.
1	Bolt, 1/4 NC x 2"	6759	
2	Valve, Cessna, set at 800 PSI	604681	5J44-8
3	Insert Adapter, 9/16-18M x 1/2 Hose x 90°	11265	6GU8
4	Lockwasher, 1/4	8061	4MK1
5	Nut, 1/4 NC Hex	7401	4MJ1
6	Hose Clamp, 1/2 to 1"	14120	8GT1
7	Hose, R708 1/2 ID x 18"	605219	8G18
8	Breather	10365	50LA3
9	Screen, 1" x 3-1/2"	10364	1043A
10	Insert Adapter, 3/4 NPT x 1/2 Hose x 90°	11262	12GW8
11	Hose, R708 1/2 ID x 14"	605218	8G14
12	Insert Adapter, 1/2 NPT x 1/2 Hose x 90°	11264	8GV8
13	Lockwasher, 3/8	8079	6MK1
14	Nut, 3/8 NC Hex	7451	6MJ1
15	Hydraulic Hose, D706, 3/8 NPT x 18"	10890	6GB18
16	Adapter Union, 9/16-18M x 3/8 NPT	11091	6GM6
17	Valve Lever	604092	DJ16
18	Key, 1/8 Sq x 3/4	604961	1L2
19	Washer, 3/8 Std	8156	6MK2
20	Bolt, 3/8 NC x 1-1/4	6857	6M20
21	Pulley, 4" Dia x 7/16 Bore	12696	64PF7
22	V-Belt, 4L380	12785	4L380
23	Pulley, 4" Dia x 1-1/8 Bore	12705	1993
24	Key, 1/4 Sq x 2-1/2	605217	1995
25	Pump, Cessna	10368	5HB5
26	Connector Link, ASA 50	11362	50
27	Setscrew, 1/4 x 5/16	8319	
28	Insert Adapter, 3/8 NPT x 1/2 Hose x 90°	11260	
29	Side Link, ASA 50	11361	
30	Rivet, 3/16 x 1-1/2 RD HD	8427	
31	Hydraulic Hose, D704 1/4 NPT x 16"	10856	4GB16
32	Adapter Union, 7/16-20M x 1/4 NPT	11090	4GM4
33	Vee Belt Guard	605200	2010



ATTACHMENT - B291 BALLAST BOX - PARTS LIST

Index	Description	New Part No.	Old Part No.
1	Ballast Box Weldment.....	605745	1743
2	Bolt, 3/4 NC x 4".....	7256	
3	Bolt, 1/2 NC x 2-1/2.....	7053	8M40
4	Washer, 3/4 Std.....	8189	12MK2
5	Lockwasher, 3/4.....	8121	12MK1
6	Nut, 3/4 NC.....	7561	12MJ1
7	Lockwasher, 1/2.....	8101	8MK1
8	Nut, 1/2 NC.....	7501	8MJ1
9	Bolt, 1/2 NC x 1-1/4.....	7015	8M20
10	Strap (1886S only).....	605756	1743-7

JOHNSON WORK HORSE LOADER

SUPPLEMENT MANUAL TO MODEL 14 LOADER GENERAL INSTRUCTION MANUAL

Fits: Bolens 1886, 1886S, 2086, HT18, HT20 - (Large Frame)

MOUNTING INSTRUCTIONS FOR: B187 MODEL 14-A3 LOADER

B291 Ballast Box (1743)

ASSEMBLY:

1. Muffler modification, Page 3:

Remove muffler and saddle. Reinstall muffler in vertical position. Replace saddle bolts in engine cowl.

2. Vee Belt and Pulley installation, Page 5:

A. Remove battery and gas tank.

B. Loosen or remove battery and gas tank support (mounting) plate.

C. Remove PTO belts and pulley from engine shaft.

D. Install loader drive pulley (23) and key (24). Position thick side of pulley toward engine. Replace and realign PTO pulley keeping both pulleys together. Install loader vee belt (22) and PTO belt.

E. Reinstall battery, gas tank, and gas tank support (mounting) plate.

3. Upright installation, Page 4:

A. Install RH and LH front mounts (3) to underside of tractor using two 1/2 NC x 1-1/2 bolts and lockwashers, and four 3/8 NC x 1-1/4 bolts and lockwashers.

B. Attach lower tie bar (4) to front mounts (3) using two 1/2 NC x 1-1/4 bolts and four nuts and lockwashers.

C. Attach RH upright (1) and LH upright (2) to front mounts (3) using four 1/2 NC x 1-1/4 bolts, nuts, and lockwashers. Attach upright support angle to tractor sides using two 3/8 NC x 1-1/4 bolts and lockwashers, attach upright support plate to lower hole in battery support box using two

3/8 NC x 1-1/4 bolts, nuts, washers, and lockwashers.

D. Attach upper tie bar (5) and muffler brace (9) to upright mounts using two 3/8 NC x 1-1/4 bolts, nuts, and lockwashers.

E. Page 3, attach muffler saddle from tractor to muffler brace (6) using one 1/4 NC x 7/8 bolt, nut, and lockwasher. Secure muffler to muffler saddle using one universal pipe strap (4) and one 1/4 NC x 1-1/2 machine screw and nut.

4. Pulley alignment, Page 5:

To align pulleys 21 and 23, loosen pump pulley setscrew (27) and reposition as necessary, install vee belt (22) and tighten by rotating pump on pump plate. Attach belt guard (33) using one 3/8 NC x 1-1/4 bolt from upper tie bar.

NOTE - DO NOT run pump until reservoir is filled with oil.

5. Lift frame installation, referring to Model 14 General Instruction Manual, Page 4, install lift frame (1) and both 2" Dia. (044) lift cylinders (12) to loader uprights using two long pins (8), two short pins (9), and four #3 hair pin clips (7). Install four grease fittings (18) into lift frame bearings.

6. Hydraulic hook-up:

NOTE - When installing hoses and fittings, ALWAYS use thread sealant in permanent connections. Do NOT use sealant in union ends of adapters. Do NOT over-tighten fittings or adapter swivels as

ASSEMBLY - continued

they can split or expand causing leakage. Referring to Model 14 General Instruction Manual, Page 4:

A. Install four 1/4 NPT x 13-1/2" hydraulic hoses (14) as follows:

1. From lift frame oil line C to each tilt cylinder base end.
2. From lift frame oil line D to each tilt cylinder rod end.

B. Install four 1/4 NPT x 16" hydraulic hoses (17) as follows:

1. From lift frame oil line A to each lift cylinder rod end.
2. From lift frame oil line B to each lift cylinder base end.

C. Ports are marked on valve casting. Install four 1/4 x 16" one-wire hoses from valve to frame oil lines as follows:

1. From port A to frame oil line A.
2. From port B to frame oil line B.
3. From port C to frame oil line C.
4. From port D to frame oil line D.

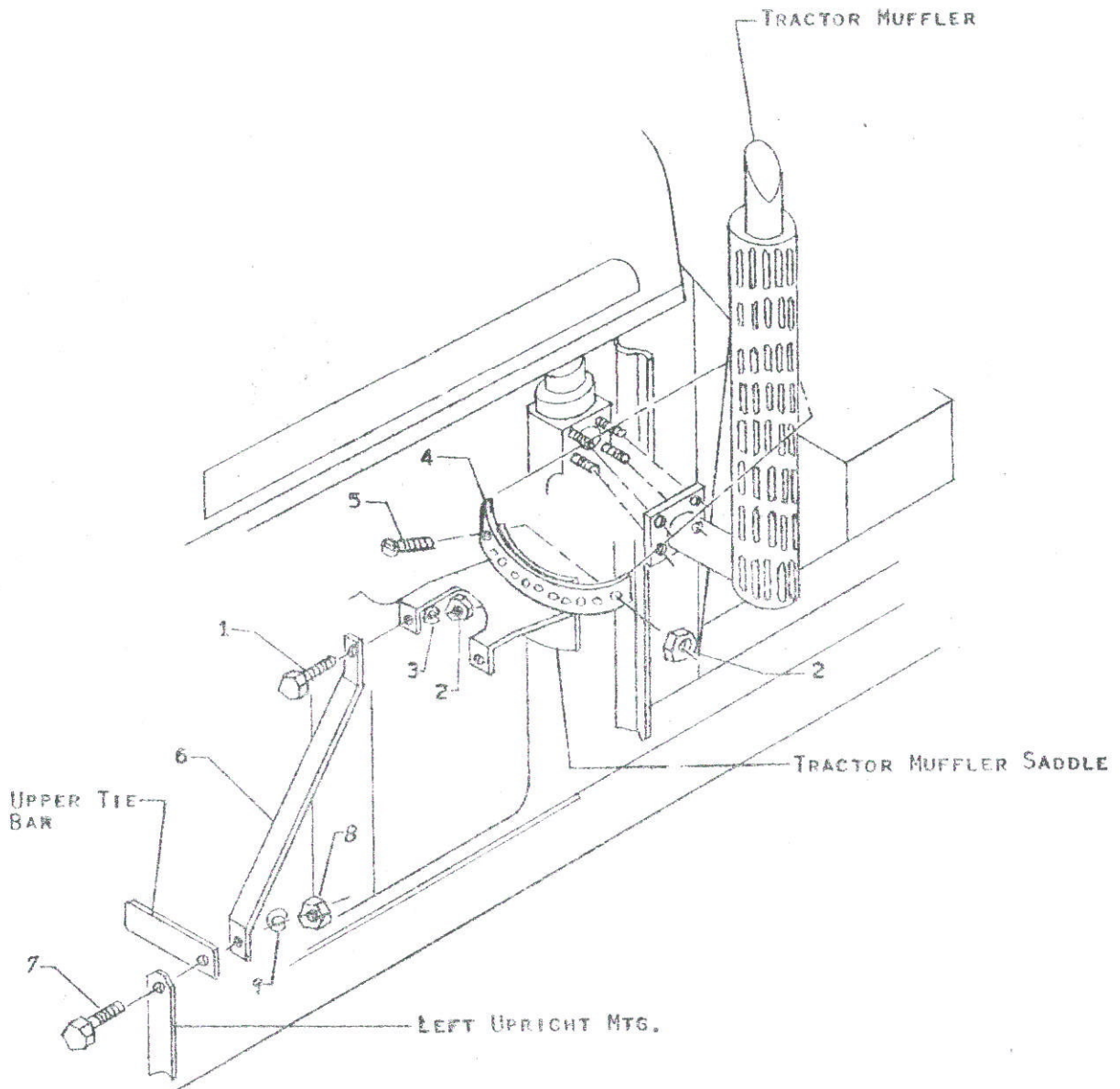
D. Fill reservoir with hydraulic fluid (2 - 2½ Qts.). Start tractor and slowly fill all cylinders with oil to remove air by extending piston rods. Operate several times until cylinders operate smoothly. After cylinders are full and operate smoothly, check oil level and add oil if necessary to maintain an adequate supply in reservoir (4 to 5 inches from top).

9. Bucket and Level Rod installation:

A. Referring to Model 14 General Instruction Manual, Pages 4 and 5, install bucket to lift frame and hook up 2" Dia. (045) tilt cylinders (4) to bucket using four long pins (8) and four #3 hair pin clips (7).

B. Install level rod (16) into indicator tube (15) and attach to

bucket as shown. With bucket flat on floor, cut excess off level rod flush with indicator tube.



MUFFLER MOUNT - PARTS LIST

Index	Description	New Part No.	Old Part No.
1	Bolt, 1/4 NC x 7/8.....	6742	
2	Nut, 1/4 NC.....	7401	4MJ1
3	Lockwasher, 1/4.....	8061	4MK1
4	Universal Pipe Strap.....	605213	1994
5	Machine Screw, 1/4 NC x 1-1/2.....	6753	
6	Muffler Brace.....	605212	1992
7	Bolt, 3/8 NC x 1-1/4.....	6857	
8	Nut, 3/8 NC.....	7451	
9	Lockwasher, 3/8.....	8079	