

Ingersoll

**BF, B43M, B48M AND CCKA
ONAN ENGINES
Service Manual 9-51392**

casecoltingersoll.com



Ingersoll . . . the new name to say for Case garden tractors.

Ingersoll Equipment Co., Inc. . . Winneconne, Wisconsin 54986-9576



This Safety Alert Symbol Indicates Important Safety Messages In This Manual When You See This Symbol Carefully Read The Message That Follows and Be Alert To The Possibility Of Personal Injury Or Death

IF THIS MACHINE IS USED BY AN EMPLOYEE OR IS LOANED OR RENTED, MAKE ABSOLUTELY CERTAIN THAT THE OPERATOR(S), PRIOR TO OPERATING:

- 1. IS INSTRUCTED IN SAFE AND PROPER USE.**
- 2. REVIEWS AND UNDERSTANDS THE MANUAL(S) PERTAINING TO THE MACHINE.**

751253



WARNING

BEFORE STARTING ENGINE

**STUDY OPERATOR'S MANUAL SAFETY MESSAGES
READ ALL SAFETY SIGNS ON MACHINE
CLEAR THE AREA OF OTHER PERSONS**

LEARN & PRACTICE SAFE USE OF CONTROLS BEFORE OPERATING

IT IS YOUR RESPONSIBILITY TO UNDERSTAND AND FOLLOW MANUFACTURER'S INSTRUCTIONS ON MACHINE OPERATION, SERVICE, AND TO OBSERVE PERTINENT LAWS AND REGULATIONS. OPERATOR AND SERVICE MANUALS MAY BE OBTAINED FROM YOUR EQUIPMENT DEALER.

ENGINE SAFETY PRECAUTIONS

It is recommended that you read your engine manual and become thoroughly acquainted with your equipment before you start the engine.

IMPORTANT

This symbol refers to possible equipment damage.

Fuels, electrical equipment, batteries, exhaust gases and moving parts present potential hazards that could result in serious, personal injury. Take care in following these recommended procedures.

Safety Codes

- All local, state and federal codes should be consulted and complied with.

General

- Provide appropriate fire extinguishers and install them in convenient locations. Use an extinguisher rated ABC by NFPA.
- Make sure that all fasteners on the engine are secure. Tighten supports and clamps, keep guards in position over fans, driving belts, etc.
- If it is necessary to make adjustments while the engine is running, use extreme caution when close to hot exhausts, moving parts, etc.

Protect Against Moving Parts

- Do not wear loose clothing in the vicinity of moving parts, such as PTO shafts, flywheels, blowers, couplings, fans, belts, etc.
- Keep your hands away from moving parts.

Batteries

- Before starting work on the engine, disconnect batteries to prevent inadvertent starting of the engine.
- DO NOT SMOKE while servicing batteries. Lead acid batteries give off a highly explosive hydrogen gas which can be ignited by flame, electrical arcing or by smoking.
- Verify battery polarity before connecting battery cables. Connect negative cable last.

Fuel System

- DO NOT fill fuel tank while engine is running.

- DO NOT smoke or use an open flame in the vicinity of the engine or fuel tank. Internal combustion engine fuels are highly flammable.
- Fuel lines must be of steel piping, adequately secured, and free from leaks. Piping at the engine should be approved flexible line. Do not use copper piping on flexible lines as copper will work harden and become brittle enough to break.
- Be sure all fuel supplies have a positive shutoff valve.

Exhaust System

- Exhaust products of any internal combustion engine are toxic and can cause injury, or death if inhaled. All engine installations, especially those within a confine, should be equipped with an exhaust system to discharge gases to the atmosphere.
- Do not use exhaust gases to heat a compartment.
- Make sure that your exhaust system is free of leaks. Ensure that exhaust manifolds are secure and are not warped by bolts unevenly torqued.

Engine Exhaust Gas (Carbon Monoxide) is Deadly!

Carbon monoxide is an odorless, colorless gas formed by incomplete combustion of hydrocarbon fuels. Carbon monoxide is a dangerous gas that can cause unconsciousness and is potentially lethal. Some of the symptoms or signs of carbon monoxide inhalation are:

- Dizziness
- Intense Headache
- Weakness and Sleepiness
- Vomiting
- Muscular Twitching
- Throbbing in Temples

If you experience any of the above symptoms, get out into fresh air immediately.

The best protection against carbon monoxide inhalation is a regular inspection of the complete exhaust system. If you notice a change in the sound or appearance of exhaust system, shut the unit down immediately and have it inspected and repaired at once by a competent mechanic.

Keep the Unit and Surrounding Area Clean

- Make sure that oily rags are not left on or near the engine.
- Remove all oil deposits. Remove all unnecessary grease and oil from the unit. Accumulated grease and oil can cause overheating and subsequent engine damage and may present a potential fire hazard.

TABLE OF CONTENTS

TITLE	PAGE
General Information	3
Specifications	4
Dimensions and Clearances	5
Assembly Torques and Special Tools.....	5
Engine Troubleshooting	8
Oil System	9
Fuel System for BF, B43M, B48M	11
Fuel System for CCKA	15
Engine Disassembly and Assembly	18

casacoiltingersoil.com

GENERAL INFORMATION

INTRODUCTION

This manual deals with specific mechanical and electrical information needed by engine mechanics for troubleshooting, servicing, repairing, or overhauling the engine.

Use the table of contents for a quick reference to the separate engine system sections.

The troubleshooting guide is provided as a quick reference for locating and correcting engine trouble.

The illustrations and procedures presented in each section apply to the engine on the cover. The flywheel-blower end of the engine is the front end so right and left sides are determined by viewing the engine from the front.

The disassembly section contains major overhaul procedures for step by step removal, disassembly, inspection, repair and assembly of the engine components.

If a major repair or an overhaul are necessary, a competent mechanic should either do the job or

supervise and check the work of the mechanic assigned to do the job to ensure that all dimensions, clearances and torque values are within the specified tolerances.

A parts catalog (available at the dealer level) contains detailed exploded views of each assembly and the individual piece part numbers and their proper names for ordering replacement parts.

Use only Genuine Onan replacement parts to ensure quality and the best possible repair and overhaul results. When ordering parts, always use the complete Model and Spec number as well as the Serial number shown on the nameplate.

ENGINE MODEL REFERENCE

Identify your model by referring to the MODEL and SPEC (specification) NO. as shown on the unit nameplate. Always use this number and the engine serial number when making reference to your engine or when ordering replacement parts.



WARNING

TO AVOID POSSIBLE PERSONAL INJURY OR EQUIPMENT DAMAGE, AN AUTHORIZED SERVICE REPRESENTATIVE MUST PERFORM ALL SERVICE.

SPECIFICATIONS

This manual contains SI metric equivalents that follow immediately in parentheses after the U.S. customary units of measure.

	BF	B43M	B48M	CCKA
Engine Design _____		Four Cycle, Air-Cooled, Two Cylinder		
Horsepower (3600 rpm) _____	16	16	18	16.5
Displacement (cubic inches) _____ (cubic centimeters)	40.3 (660.4)	43.7 (775)	47.7 (782)	49.8 (816)
Bore _____	3.13" (79.5mm)	3.25" (82.5mm)	3.25" (82.5mm)	3.25" (82.5mm)
Stroke _____	2.62" (66.6mm)	2.62" (66.6mm)	2.875" (73mm)	3" (76.2mm)
Compression Ratio _____	7 to 1	6.6 to 1	6.6 to 1	7 to 1
Crankshaft _____		Horizontal, Ductile Iron		
Valves _____		Mechanical, Poppet		
Oil Capacity with Filter Change _____			4 pts. (1.9 l)	4 qt. (3.8 l)
Oil Capacity without Filter Change _____	4 pts.	3.5 pts. (1.7 l)	3.5 pts. (1.7 l)	3.4 qt. (3.2 l)
Battery Charging System _____	12 Volt, 15 Amp Flywheel Alternator (20 amp CCKA)			

TUNE-UP SPECIFICATIONS

Tappets (Cold)

Intake _____	.008" (0.20mm)	.008" (0.20mm)	.008" (0.20mm)	.007" (0.18mm)
Exhaust _____	.013" (0.33mm)	.013" (0.33mm)	.013" (0.33mm)	.016" (0.41mm)
Breaker Point Gap _____	.020" (0.51mm)	.021" (0.53mm)	.021" (0.53mm)	.020" (0.51mm)
Spark Plug Gap _____	.025" (0.64mm)	.025" (0.64mm)	.025" (0.64mm)	.025" (0.64mm)
Ignition Timing (Cold, Static Setting) _____	21°BTC	21°BTC	21°BTC	24°BTC

DIMENSIONS AND CLEARANCES

FOR BF ENGINE

All dimensions and clearances given at room temperature of 70°F.
All values in inches unless otherwise specified.

	Minimum		Maximum	
	Inches	(mm)	Inches	(mm)
CAMSHAFT AND CRANKSHAFT				
Crankshaft Main Bearing Journal to Bearing Clearance	0.0025	0.06	0.0038	0.10
*Crankshaft End Play	0.006	0.15	0.012	0.3
*Crankshaft Rod Journal to Rod Bearing	0.0020	0.51	0.0033	0.08
Camshaft Bearing to Camshaft	0.0015	0.38	0.0030	0.084
Camshaft End Play	0.003	0.08		
Connecting Rod End Play	0.002	0.05	0.016	0.41
Timing Gear Backlash	0.002	0.05	0.003	0.08
Oil Pump Gear Backlash	0.002	0.05	0.005	0.13
PISTON AND CYLINDER				
Piston Pin in Piston	0.0002	0.005	0.0004	0.010
Piston Pin in Rod	0.0002	0.005	0.0007	0.018
*Piston Ring Gap in Cylinder	0.010	0.25	0.020	0.51
Piston Clearance in Cylinder - Measured .10 Below Oil				
Control Ring, 90° from Pin	0.001	0.03	0.003	0.084
Cylinder Bore — Standard Size	3.1245	79.362	3.1255	79.388
Crankshaft Main Bearing Journal — Standard Size	1.9992	50.8	2.0000	50.8
Crankshaft Rod Bearing Journal — Standard Size	1.6252	41.28	1.6260	41.30
TAPPETS AND VALVES				
*Valve Seat Width	1/32	0.8	1/8	3.2
*Valve Face Angle	44°		44°	
*Valve Seat Angle	45°		45°	
Valve Stem to Guide — Intake	0.0010	0.03	0.0025	0.06
Valve Stem to Guide — Exhaust	0.0025	0.06	0.0040	0.10
Tappet to Cylinder Block Clearance	0.0015	0.04	0.0030	0.08
Tappet Adjustment (Cold)				
*Intake	0.007	0.18	0.009	0.23
*Exhaust	0.012	0.30	0.014	0.35

* - Frequently used overhaul values.

ASSEMBLY TORQUES

ASSEMBLY TORQUES

Assembly torques as given here require the use of a torque wrench. These assembly torques will assure proper tightness without danger of stripping the threads. If a torque wrench is not available, you will have to estimate the degree of tightness necessary for the stud, nut or screw being installed and tighten accordingly. Be careful not to strip the threads. Check all studs, nuts and screws often. Tighten as needed to prevent them from working loose.

BOLT TORQUE

	IN.-LB.	Nm
Carburetor Cover	25	2.8
Air Cleaner Body	30	3.3

	FT.-LB.	Nm
Gearcase Cover	8 - 10	11 - 14
Cylinder Head Stud Nuts (Cold) ..	14 - 16	19 - 22
Rear Bearing Plate Screws	25 - 27	34 - 37
Starter Mounting Bolts	18 - 20	24 - 27
Connecting Rod Bolt	12 - 14	16 - 19
Flywheel Cap Screw	35 - 40	48 - 54
Other 5/16" Cylinder Block		
Stud and Nuts	8 - 10	11 - 14
Oil Base	18 - 23	24 - 31
Manifold Mounting Stud Nuts	8 - 10	11 - 14
Oil Pump	7 - 9	10 - 12

DIMENSIONS AND CLEARANCES

FOR B43M AND B48M ENGINES

All dimensions and clearances given at room temperature at 70°F (21°C).
All values in inches (mm) unless otherwise specified.

	Minimum		Maximum	
	inches	(mm)	inches	(mm)
CAMSHAFT AND CRANKSHAFT				
Crankshaft Main Bearing Journal to Bearing Clearance	0.0025	0.06	0.0038	0.10
*Crankshaft End Play	0.006	0.15	0.012	0.3
Camshaft Bearing to Camshaft	0.0015	0.38	0.0030	0.084
Camshaft End Play	0.003	0.08		
*Crankshaft Rod Journal to Rod Bearing	0.0020	0.51	0.0033	0.08
Connecting Rod End Play	0.002	0.05	0.016	0.41
Timing Gear Backlash	0.002	0.05	0.003	0.08
Oil Pump Gear Backlash	0.002	0.05	0.005	0.13
PISTON AND CYLINDER				
Piston Pin in Piston	0.0002	0.005	0.0004	0.010
Piston Pin in Rod	0.0002	0.005	0.0007	0.018
*Piston Ring Gap in Cylinder	0.010	0.25	0.020	0.51
Piston Clearance in Cylinder—Measured 0.10 Below Oil				
Control Ring, 90° from Pin	0.004	0.10	.006	0.15
Cylinder Bore—Standard Size	3.249	82.53	3.250	82.55
Crankshaft Main Bearing Journal—Standard Size	1.9992	50.8	2.0000	50.8
Crankshaft Rod Bearing Journal—Standard Size	1.6252	41.28	1.6260	41.30
TAPPETS AND VALVES				
*Valve Seat Width	1/32	0.8	1/8	3.2
*Valve Face Angle	44°		44°	
Valve Seat Angle	45°		45°	
Valve Stem to Guide—Intake	0.0010	0.03	0.0025	0.06
Valve Stem to Guide—Exhaust	0.0025	0.06	0.0040	0.10
Tappet to Cylinder Block Clearance	0.0015	0.04	0.0030	0.08
Tappet Adjustment (Cold)				
Intake	0.007	0.18	0.009	0.23
Exhaust	0.012	0.30	0.014	0.35

* - Frequently used overhaul values.

ASSEMBLY TORQUES AND SPECIAL TOOLS

BOLT TORQUE

FT.-LB. Nm

Gearcase Cover	8-10	11-14
Cylinder Head Cap Screws (Cold)	16-18	22-24
Rear Bearing Plate Screws	25-27	34-37
Starter Mounting Bolts	18-20	24-27
Connecting Rod Bolt	12-14	16-19
Flywheel Cap Screw	35-40	48-54
Other 5/16" Cylinder Block		
Stud and Nuts	8-10	11-14
Oil Base	18-23	24-31
Intake Manifold Mounting		
Screws	6-10	8-14
Oil Pump	7- 9	10-12
Valve Cover	8- 8	6- 8
Exhaust Manifold Mounting		
Screws	9-11	12-15

The following special tools are available from Onan.
For further information see *TOOL CATALOG 900-0019*.

Valve Seat Driver
Valve Guide Driver
Oil Guide and Driver
Combination Bearing Remover (Main and Cam)
Combination Bearing Driver (Main and Cam)
Flywheel Puller

DIMENSIONS AND CLEARANCES

FOR CCKA ENGINE

(All clearances given at room temperature of 70°F.)

	Minimum		Maximum	
	Inches	(mm)	Inches	(mm)
Valve Stem in Guide — Intake.....	0.001	0.03	0.0025	0.06
Valve Stem in Guide — Exhaust.....	0.0025	0.06	0.004	0.10
Valve Seat Interference Width.....	1/32	0.8	3/64	1.2
Valve Face Angle.....	44°		44°	
Valve Seat Angle.....	45°		45°	
Crankshaft Main Bearing Journal to Bearing Clearance.....	0.0025	0.06	0.0038	0.10
Crankshaft End Play.....	0.006	0.15	0.012	0.3
Camshaft Bearing to Camshaft.....	0.0015	0.38	0.003	0.08
Camshaft End Play.....	0.003	0.08		
Rod Bearing to Crankshaft Rod Journal.....	0.0005	0.013	0.0023	0.058
Connecting Rod End Play.....	0.002	0.05	0.016	0.41
Timing Gear Backlash.....	0.002	0.05	0.003	0.08
Oil Pump Gear Backlash.....	0.002	0.05	0.005	0.13
Piston to Cylinder, Conformance Type (Measured below oil-controlling ring — 90° from pin) Clearance.....	0.0025	0.06	0.0045	0.11
Piston Pin in Piston.....	Thumb Push Fit			
Piston Pin in Rod.....	0.0002	0.005	0.0007	0.018
Piston Ring Gap in Cylinder.....	0.009	0.23	0.023	0.58
Crankshaft Main Bearing Journal — Standard Size.....	1.9992	50.8	2.000	50.8
Crankshaft Rod Bearing Journal — Standard Size.....	1.6250	41.28	1.6260	41.30
Cylinder Bore — Standard Size.....	3.249	82.52	3.250	82.55
Valve Tappet Adjustment				
Intake.....	0.006	0.15	0.008	0.20
Exhaust.....	0.015	0.38	0.017	0.43
Breaker Point Gap (Full Separation).....			0.20" (51 mm)	
Spark Plug Gap.....			0.25" (0.64)	
Ignition Timing Advance (Engine Running).....			20°BTC	

ASSEMBLY TORQUES

ASSEMBLY TORQUES

Assembly torques as given here require the use of a torque wrench. These assembly torques will assure proper tightness without danger of stripping the threads. If a torque wrench is not available, you will have to estimate the degree of tightness necessary for the stud, nut or screw being installed and tighten accordingly. Be careful not to strip the threads. Check all studs, nuts and screws often. Tighten as needed to prevent them from working loose.

BOLT TORQUE

	FT.-LB	Nm
Cylinder Head Cap Screws.....	29 - 31	39 - 42
Rear Bearing Plate Nuts.....	20 - 25	27 - 34
Starter Mounting Bolts.....	25 - 35	34 - 47
Connecting Rod Bolt.....	27 - 29	37 - 39
Flywheel Cap Screw.....	30 - 35	41 - 48
Other 5/16" Cylinder Block		
Studs and Nuts.....	10 - 12	14 - 16
Oil Base.....	43 - 48	59 - 65
Manifold Mounting Bolts.....	15 - 20	20 - 27

ENGINE TROUBLESHOOTING

TROUBLE														GASOLINE ENGINE TROUBLESHOOTING GUIDE																				
Backfire at Carburetor	Bearing Wear	Black Exhaust	Blue Exhaust	Burned Valves	Connecting Rods	Crank Sticking	Cylinder Rod Wear	Engine Wear	Failure to Start	Governor Hunting	High Oil Pressure	Loss of Coolant (Water Cooled)	Mechanical Knocks	Misfiring	Overheating (Air Cooled)	Overheating (Water Cooled)	Piston Wear	Poor Compression	Ring Wear	Sticking Valves	CAUSE													
																				STARTING SYSTEM														
																				Loose or Corroded Battery Connection														
																				Low or Discharged Battery														
																				Faulty Starter														
																				Faulty Start Solenoid														
																				IGNITION SYSTEM														
																				Ignition Timing Wrong														
																				Wrong Spark Plug Gap														
																				Worn Points or Improper Gap Setting														
																				Bad Ignition Coil or Condenser														
																				Faulty Spark Plug Wires														
																				FUEL SYSTEM														
																				Out of Fuel - Check														
																				Lean Fuel Mixture - Readjust														
																				Rich Fuel Mixture or Choke Stuck														
																				Engine Flooded														
																				Poor Quality Fuel														
																				Dirty Carburetor														
																				Dirty Air Cleaner														
																				Dirty Fuel Filter														
																				Defective Fuel Pump														
																				INTERNAL ENGINE														
																				Wrong Valve Clearance														
																				Broken Valve Spring														
																				Valve or Valve Seal Leaking														
																				Piston Rings Worn or Broken														
																				Wrong Bearing Clearance														
																				COOLING SYSTEM (AIR COOLED)														
																				Poor Air Circulation														
																				Dirty or Oily Cooling Fins														
																				Blown Head Gasket														
																				LUBRICATION SYSTEM														
																				Defective Oil Gauge														
																				Relief Valve Stuck														
																				Faulty Oil Pump														
																				Dirty Oil or Filter														
																				Oil Too Light or Diluted														
																				Oil Level Low														
																				Oil Too Heavy														
																				Dirty Crankcase Breather Valve														
																				THROTTLE AND GOVERNOR														
																				Linkage Out of Adjustment														
																				Linkage Worn or Disconnected														
																				Governor Spring Sensitivity Too Great														
																				Linkage Binding														

OIL SYSTEM

CRANKCASE OIL

Change crankcase oil according to the oil chart below and only when engine is warm.

IMPORTANT Do not overfill crankcase. Do not use service DS oil. Do not mix brands nor grades of motor oil. Engine damage could result from mixing non-compatible oils.

To drain, remove the oil drain plug. After oil drains, replace the oil drain plug and refill crankcase with a good quality detergent oil. Oil must meet or exceed the API (American Petroleum Institute) designation SE or SE/CC. For temperatures above 32°F (0°C), use SAE 30 oil; for temperatures below 32°F (-0°C), use 5W30.

ENGINE OIL CHART

MODEL	QUARTS (LITRE)	QUARTS (LITRE) W/FILTER	OIL CHANGE	FILTER CHANGE
BF	2 (1.9)	N/A	25 hrs.	N/A
B43M	1-3/4 (1.6)	N/A	25 hrs.	N/A
B48M	1-3/4 (1.6)	2 (1.9)	25 hrs.	50 hrs.
CCKA	3-1/2 (3.3)	4 (3.8)	50* hrs.	100 hrs.

* 25 hours initial fill.

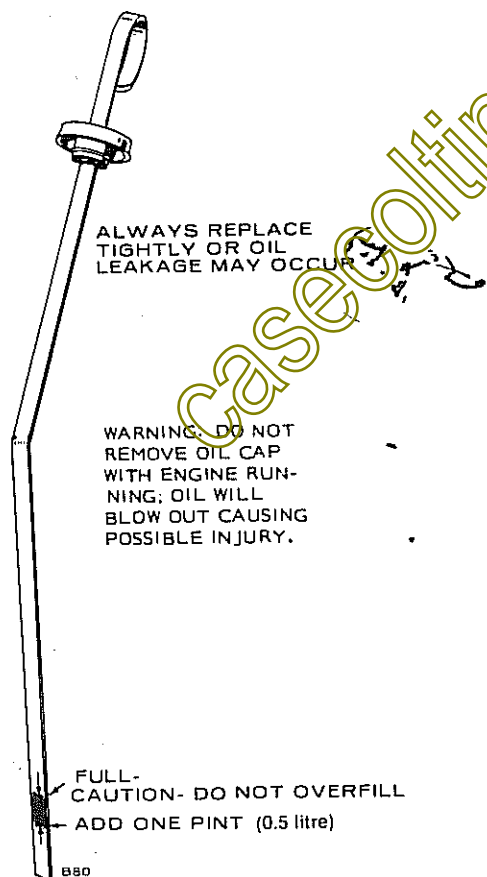


FIGURE 1. CRANKCASE OIL FILL

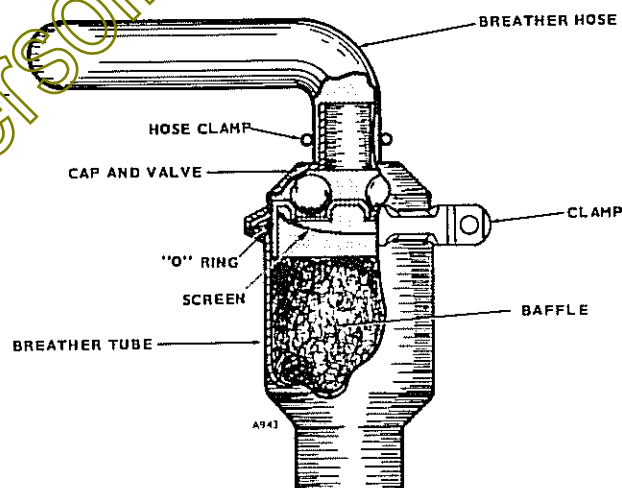


FIGURE 2. CRANKCASE BREATHER FOR CCKA

OIL FILTER (if equipped)

Change the crankcase oil filter according to the oil chart; change more frequently in extremely dusty condition. Remove the filter by turning counterclockwise with a filter wrench. Before installing a new filter, coat the gasket on the filter base with a light film of new oil. Install by turning clockwise until a light friction is noted, then turn an additional 1/2 turn.

Crankcase Breather

This engine uses a crankcase breather valve for maintaining crankcase vacuum. If the crankcase becomes pressurized as evidenced by oil leaks at the seals, clean baffle pack and valve in a suitable solvent.

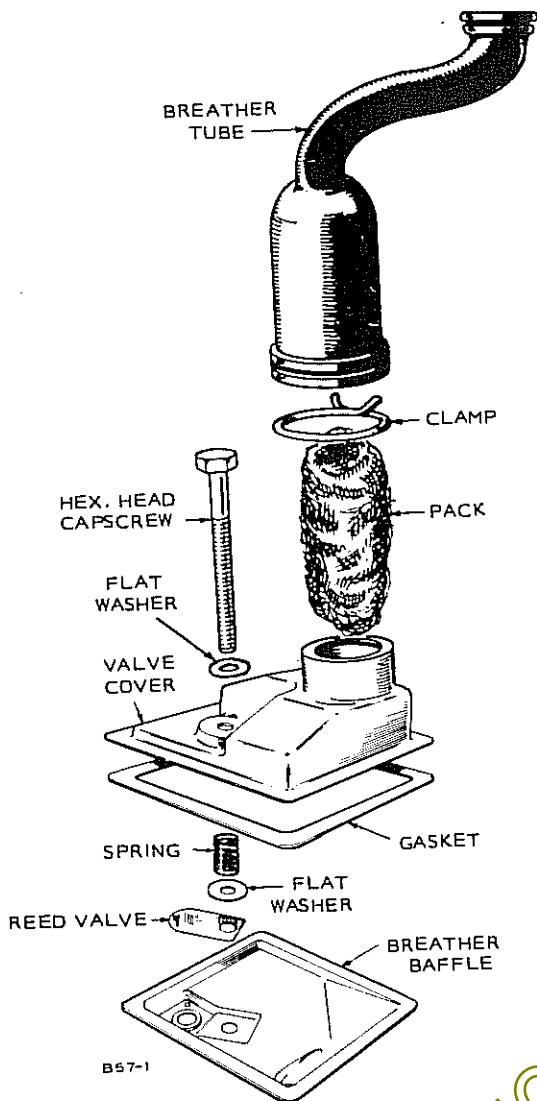


FIGURE 3. CRANKCASE BREATHER FOR BF, B43 AND B48

PRESSURE LUBRICATION

Pressure lubricated engines use an oil pump to lubricate engine parts. If oil pressure is low, the pump should be checked.

To remove the oil pump, it is necessary to detach the intake cup assembly, as illustrated in Figure 4.

Check the oil pump thoroughly for worn parts. Oil the pump to prime it before reinstalling. Except for gaskets and intake cup, the component parts of the pump are not available individually. Install a new pump assembly if required.

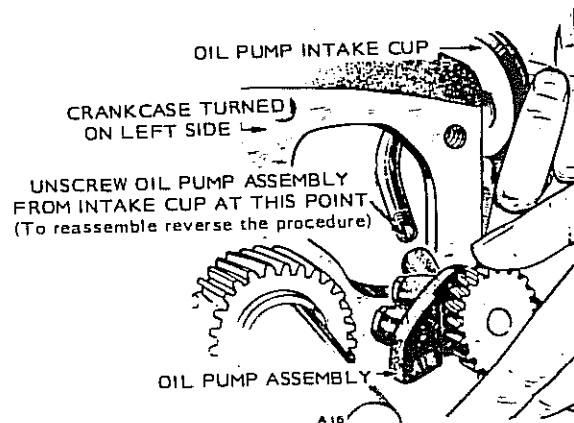


FIGURE 4. OIL PUMP ASSEMBLY

If new oil pump gaskets are installed, they should be the same thickness as those removed. A gasket kit with various thickness gaskets is available.

OIL BY-PASS VALVE

The by-pass valve (located to the right and behind gear cover), controls oil pressure by allowing excess oil to flow directly back to the crankcase. Normally the valve begins to open about 30 psi (200 kPa).

The valve is non-adjustable and normally does not need maintenance. To determine if valve is not working correctly, caused by a sticky plunger, inspect as follows:

1. Remove the 3/8 x 24 x 1 cap screw located behind gear cover and under governor arm.
2. Remove spring and plunger with a magnet tool. Clean plunger and spring with a suitable solvent and reinstall.

FUEL SYSTEM

FOR BF, B43M AND B48M

CARBURETOR CLEANING AND INSPECTION

To clean the carburetor, soak all components thoroughly in a good carburetor cleaner, following the manufacturer's instructions. Be sure to remove all carbon from carburetor bore, especially in the area of the throttle valve. After soaking, clean out all passages with filtered, compressed air.

Check the adjusting needles and nozzle for damage. If float is loaded with fuel or damaged, replace it. The float should fit freely on its pin without binding.

Check the choke and throttle shafts for excessive side play and replace if necessary.

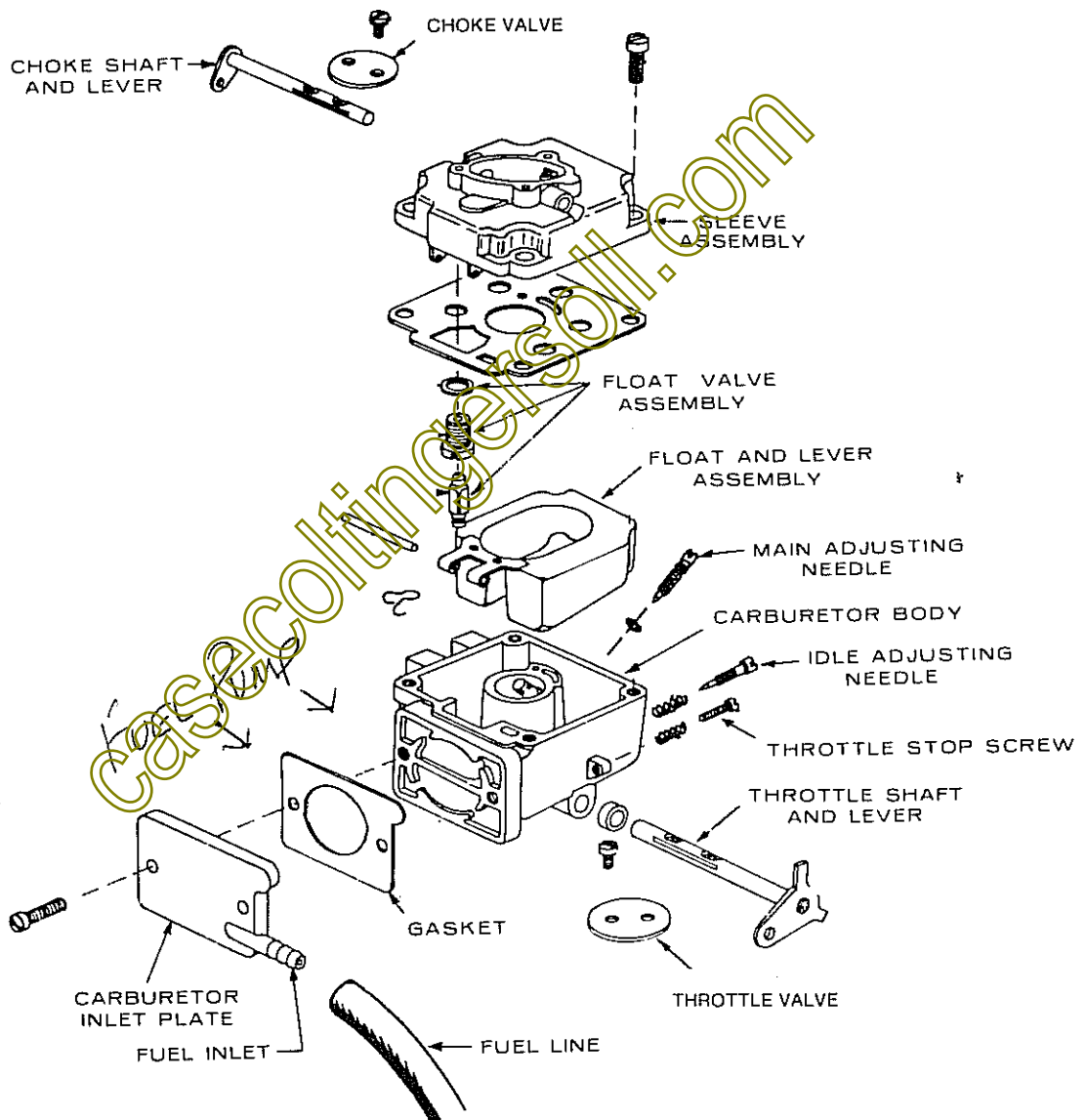


FIGURE 5. EXPLODED VIEW OF CARBURETOR

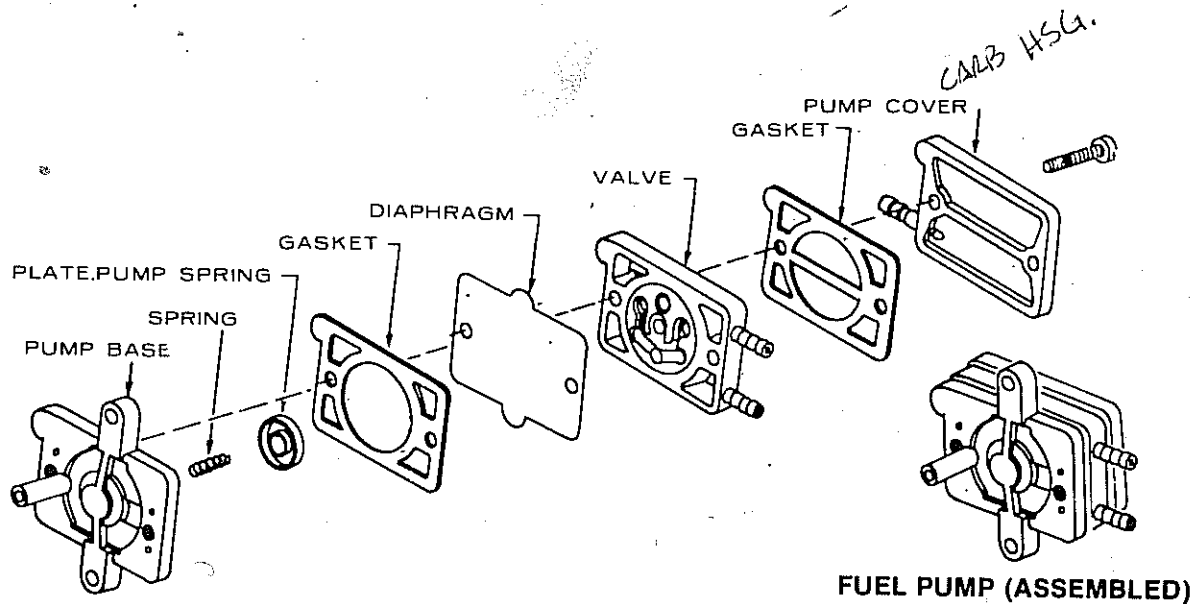


FIGURE 5A. EXPLODED VIEW OF FUEL PUMP

Fuel Pump Disassembly (Figure 5A)

1. Remove vacuum line and fuel line.
2. Remove the two fuel pump attaching screws.
3. Grasp pump and carefully pull apart. Diaphragm, plunger, return spring, pump body and mounting gaskets will now be loose.
4. Internal fuel pump parts are available in a repair kit.
5. Ensure that clamps are replaced on fuel line.

IMPORTANT

Use care when reassembling pump; all parts must be perfectly aligned, or pump will leak, creating a fire hazard.

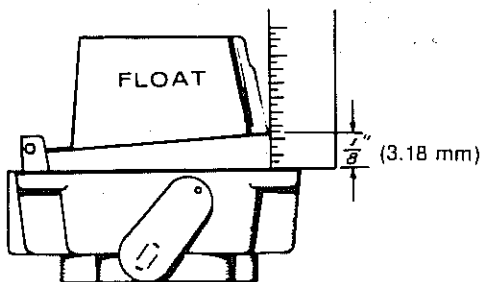


FIGURE 6. FLOAT ADJUSTMENT

CARBURETOR DISASSEMBLY AND REPAIR (Figure 5)

Removal

1. Remove air cleaner and hose.
2. Disconnect governor and throttle linkage, choke control and fuel line from carburetor.
3. Remove the four intake manifold cap screws and lift complete manifold assembly from engine.
4. Remove carburetor from intake manifold.

Always work on carburetor in clean conditions.

Replacing Needle and Valve Seat

1. Remove four screws from top of carburetor and lift off float assembly.
2. Invert float assembly as shown in Figure 6.
3. Push out pin that holds float to cover.
4. Remove float and set aside in a clean place. Pull out needle and spring.
5. Remove valve seat and replace with a new one, making sure to use a new gasket.
6. Install new bowl gasket.
7. Clip new needle to float assembly with spring clip. Install float.

Carburetor Float Adjustment

1. Invert float assembly and casting.
2. With the float resting lightly against the needle and seat, there should be 1/8-inch (3.18 mm) clearance between the bowl cover gasket and the free end of float.
3. If it is necessary to reset the float level, bend float tangs near pin to obtain a 1/8-inch (3.18 mm) clearance (Figure 6).

CARBURETOR ADJUSTMENTS

The carburetor has a main fuel valve adjusting screw and an idle valve adjusting screw (Figure 7). A low speed adjustment screw is shown in Figure 8.

Initial Adjustment

1. Turn main fuel valve clockwise until it just closes.

IMPORTANT Do not open main fuel jet more than 1/2 turn beyond the maximum power point as this could cause spark plug fouling, etc.

2. Now open main fuel valve 1-1/4 turn counterclockwise from seat.
3. Close idle valve in same manner and open it one turn (counterclockwise).
4. This initial adjustment will permit engine to start and warm up prior to final adjustment.

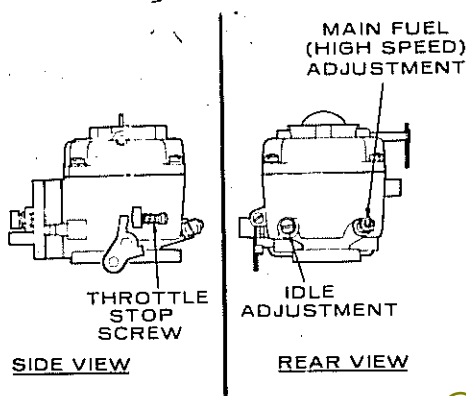


FIGURE 7. MAIN FUEL AND IDLE VALVE ADJUSTMENT

Final Adjustment

1. Turn main fuel valve in until engine misses (lean mixture), then turn it out past the point where engine runs smoothly until engine runs unevenly (rich mixture). Turn valve to mid-point between lean and rich so engine runs smoothly. (This should be 1-1/4 to 1-1/2 from seat.)
2. Hold engine at idle position and set low speed adjustment screw (Figure 8) until a fast idle is obtained (1200 rpm).
3. Hold throttle in idle position and turn idle adjustment valve in (lean) and out (rich) until engine idles smoothly.
4. Reset low speed adjustment screw so engine idles at 1200 rpm.
5. Release throttle—engine should accelerate without hesitation. If engine does not accelerate properly, readjust main fuel valve by turning out slightly.

Do not open more than 1/2 turn beyond maximum power point.

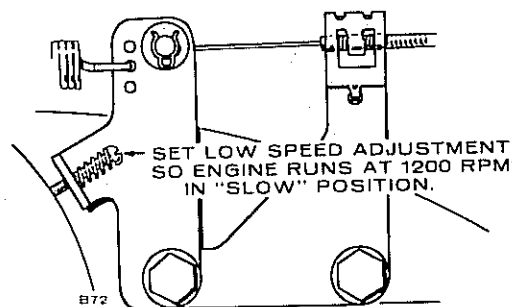


FIGURE 8. LOW SPEED ADJUSTMENT ON VARIABLE SPEED GOVERNOR

GOVERNOR

These engines are adapted for use where a wide range of speed settings is desired (see Figure 9). Engine speed is controlled at any given point between minimum and maximum by simply shifting the throttle lever on the dash panel until the desired speed is reached.

The fixed speed (standard) and the variable speed (optional) governor gives an automatic decrease in sensitivity when the speed is increased. The result is good stability at all speeds.

A reliable instrument for checking engine speed is required for accurate governor adjustment. Engine speed can be checked with a tachometer.

Check the governor arm, linkage, throttle shaft, and lever for binding condition or excessive slack and wear at connecting points. A binding condition at any point will cause the governor to act slowly and regulation will be poor. Excessive looseness may cause a hunting condition and regulation could be erratic. Work the arm back and forth several times by hand while the engine is idling to check for above conditions.

If the governor is hunting or not operating properly, adjust as follows and as shown in Figure 9.

1. Disconnect linkage (A) from one of holes (C).
2. Push linkage (A) and governor arm (B) as far back (toward carburetor) as they will go.
3. Holding linkage and governor arm toward direction of carburetor, insert end of linkage into whichever hole (C) in governor arm lines up the closest. If between two holes, insert in next hole out.

The governor control spring is factory set in the third hole of the governor arm (farthest from pivot). To increase sensitivity, move spring loop into hole nearest the pivot point or shaft. To decrease sensitivity, move spring outward. After the sensitivity has been set, adjust the low speed with adjustment screw on the control wire bracket. The spring will normally be in third hole from pivot.

"NIKKI" CARBURETOR ADJUSTMENT PROCEDURE

For 1936 Model 220, 440, 448 and 648 Tractors
 SUPPLEMENT TO SERVICE MANUAL 9-51392

FLOAT ADJUSTMENT

WARNING: IGNITION OF FUEL MIGHT CAUSE SERIOUS PERSONAL INJURY OR DEATH BY FIRE OR EXPLOSION. DO NOT PERMIT ANY FLAME, CIGARETTE OR OTHER IGNITER NEAR THE FUEL SYSTEM.

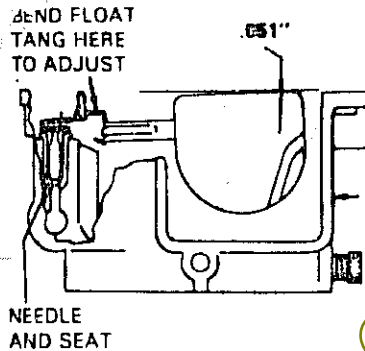
1. Drain as much fuel as possible from carburetor by starting engine and shutting fuel supply off.
2. Remove and insulate the B+ lead at ignition coil. Remove air cleaner and top half of carburetor.
3. Gently push float tang down until needle just seats, measure float level as shown in Figure 1. Adjust float level if necessary. Release float tang

and measure float drop as shown in Figure 2. Float drop is the distance from top of the carburetor body to top of the float.

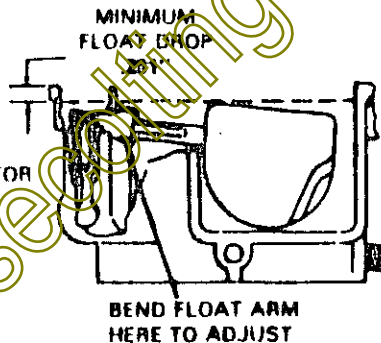
4. Place carburetor top on bowl and fasten, turn fuel supply on and crank engine for 45 seconds (This must be done in 15 second intervals-allow starter to cool for one minute after each 15 second cranking interval). Remove carburetor top to make sure carburetor bowl is full. Measure fuel level in carburetor bowl as shown in Figure 3.
5. Replace top of carburetor and air cleaner. Remove insulation and reconnect B+ coil lead. Start engine and check for proper operation.

CARBURETORS WITH SPRING ASSIST CHOKE

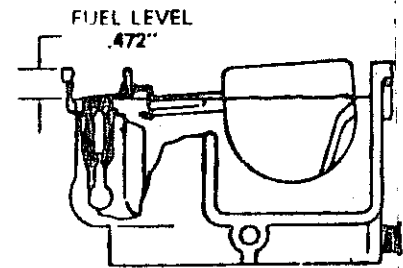
When checking float level and float drop, measure to float body, not seam.



FLOAT LEVEL ADJUSTMENT
 FIGURE 1



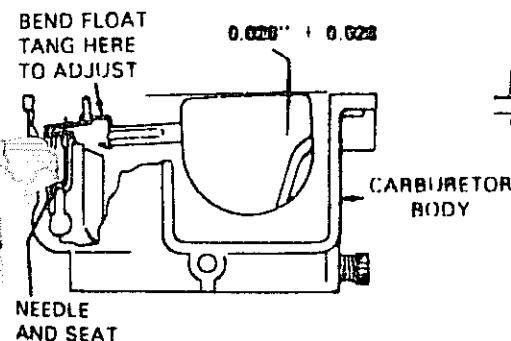
NO FUEL
 FIGURE 2



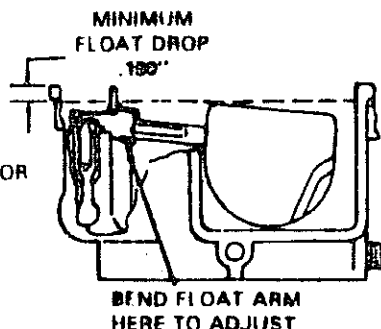
WITH FUEL
 FIGURE 3

CARBURETORS WITHOUT SPRING ASSIST CHOKE

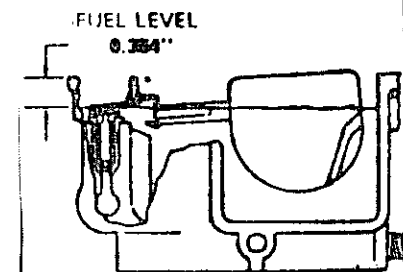
When checking float level and float drop, measure to float body, not seam.



FLOAT LEVEL ADJUSTMENT



NO FUEL



WITH FUEL

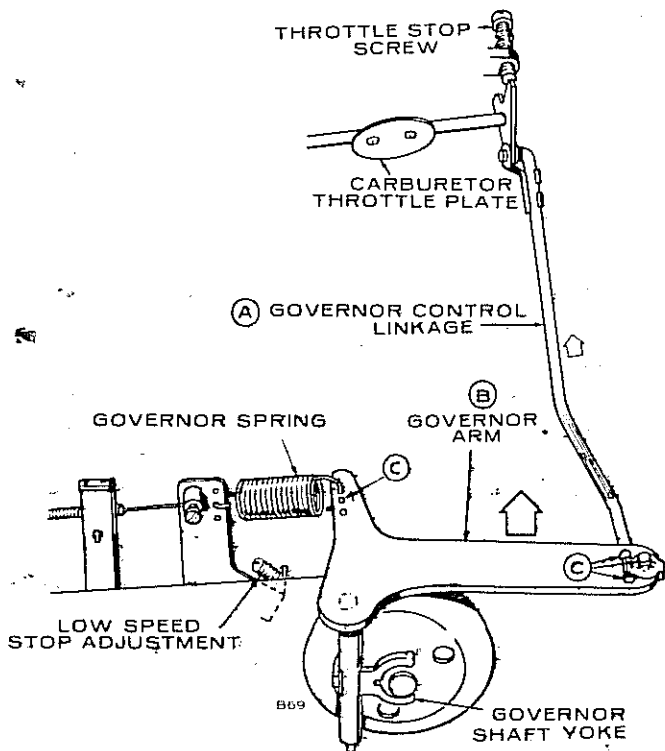


FIGURE 9. VARIABLE SPEED GOVERNOR ADJUSTMENTS

AIR CLEANER

IMPORTANT If air cleaner becomes too dirty, engine will not receive sufficient air to run properly. Symptoms: Loss of power, flooding, hard to start and overheating.

Engine is equipped with a paper element. If the engine is equipped with polyurethane precleaner, it must be removed, cleaned and oiled every 25 hours of operation, or more under extremely dusty conditions.

1. To clean precleaner, wash in water and detergent referring to Figure 10. Remove excess water by squeezing like a sponge and allow to dry thoroughly. Distribute three tablespoons of SAE 30 engine oil evenly around the precleaner. Knead into and wring excess oil from precleaner.
2. Depending on conditions in which the tractor is operating, the inner paper element should be replaced whenever it becomes excessively dirty or oily.

IMPORTANT Never run engine with air cleaner removed. Dirt will enter engine and wear out rings causing excessive blow-by.

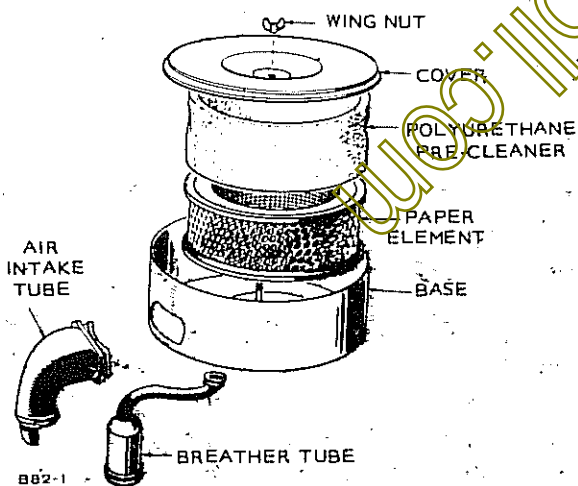
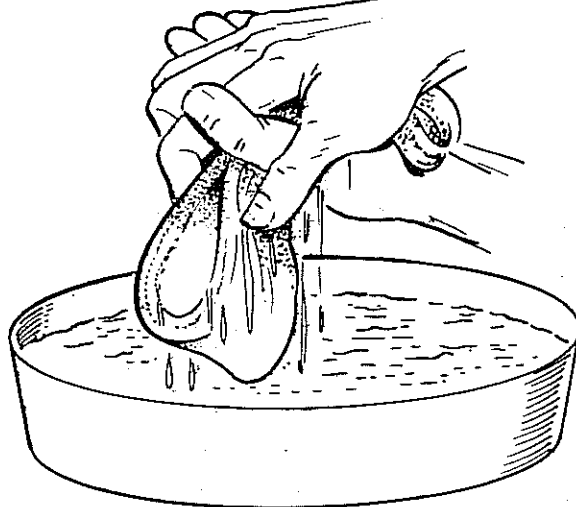


FIGURE 10. AIR CLEANER ASSEMBLY

1. WASH
2. SQUEEZE DRY
3. COAT WITH OIL
4. INSTALL OVER PAPER ELEMENT



FUEL SYSTEM

FOR CCKA

NO
B43M

CARBURETOR

The carburetor has an idle jet and a main jet. The idle jet which is adjustable, affects engine operation at low speed. The main jet usually affects operation under load (high speed). Under normal circumstances, factory carburetor adjustments should not be disturbed. If the idle adjustment has been disturbed, turn the needle (counterclockwise) off its seat 1 to 1-1/2 turns to permit starting the engine, then readjust as follows:

Carburetor Idle Adjustment

1. Allow the engine to run at least 10 minutes to warm it up.
2. Move engine speed control to SLOW position. The engine should run at about 1300 rpm.
3. Turn the idle needle out (counterclockwise) until engine begins to slow down or run unevenly. Remember this position.
4. Turn needle in (clockwise) past the position where the engine runs smoothly until it begins to slow down or run unevenly.
5. Back the needle out to a position approximately halfway between the two positions. This should provide a smooth running idle.

IMPORTANT

Do not force the needle against its seat; doing so will damage it.

Carburetor Main (Load) Adjustment

If engine runs unevenly at half or full load due to faulty carburetion, the main adjusting needle needs readjustment.

1. Start engine and allow it to warm up.
2. Push in on the governor mechanism to slow the unit down to about 400-500 rpm.
3. Set idle adjustment so engine runs smoothly.
4. Release governor mechanism to allow engine to accelerate. If engine accelerates evenly and without hesitation, main adjustment is correct. If not, turn needle outward about 1/2 turn and again slow the engine down and release the mechanism. Continue until the engine accelerates evenly and without a hesitation after releasing the governor.

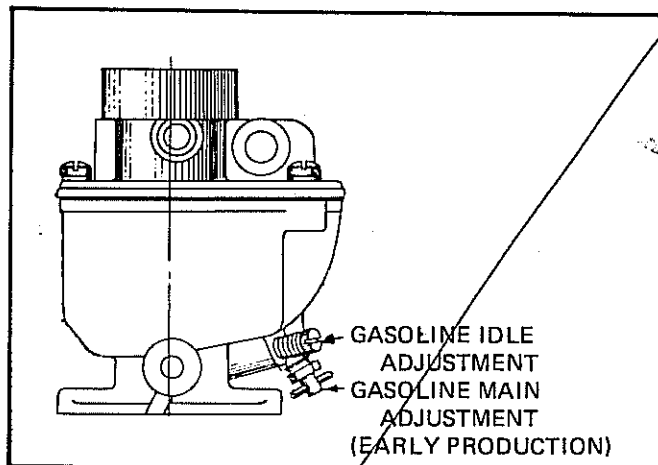


FIGURE 11. GASOLINE IDLE ADJUSTMENT

5. If engine tends to hunt (alternate increase and decrease of speed), open the main adjusting needle a little more. Do not open more than 1/2 turn beyond the maximum power point.

NOTE: Some carburetors do not have a main adjustment jet.

Carburetor Float Adjustment

1. Disconnect throttle control, choke cable, and fuel line from carburetor.
2. With a screwdriver, remove the three screws on the top of the carburetor and lift off.
3. With the carburetor casting inverted and the float resting lightly against the needle and seat, there should be 1/4 inch clearance between the bowl cover gasket and the free end of the float (side opposite needle and seat). See Figure 12.
4. If it is necessary to reset the float level, bend the float near the shaft to obtain the correct level.

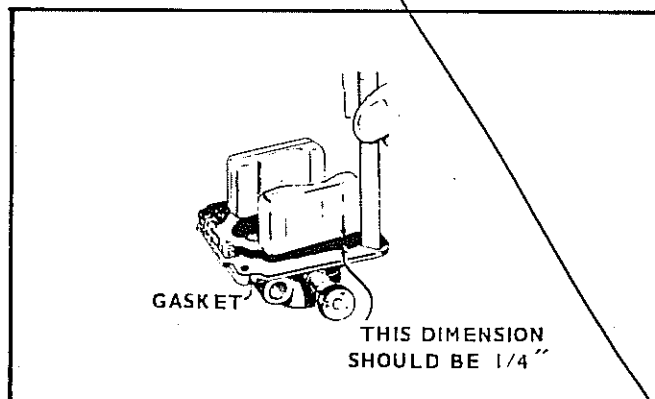


FIGURE 12. FLOAT LEVEL ADJUSTMENT

Carburetor Cleaning

Carburetor maintenance should consist of regular cleaning. Some gasolines have a tendency toward formation of gum deposits inside the carburetor. These deposits can be removed by soaking in a good carburetor cleaning solvent. Use compressed air to clean jets.

FUEL PUMP PROBLEM DIAGNOSIS

The engine uses a diaphragm-type fuel pump. If fuel does not reach the carburetor, check the fuel pump before dismantling it.

1. Disconnect the fuel line at the carburetor.
2. Crank the engine slowly by hand and observe whether fuel comes from the line at the carburetor.

IMPORTANT Be sure to direct the fuel flow into a container so gas does not spill on ignition wires.

3. If there is enough fuel in the tank, and the line between the tank and the pump is open but the pump fails, repair or replace it.

Failure of the pump is usually due to a leaking diaphragm, valve or valve gasket, a weak or broken spring, or wear in the drive linkage. If the operator chooses to repair the pump rather than install a new one, use a complete repair kit. Refer to Parts Catalog.

Gasoline diluted oil may indicate a faulty fuel pump.

AIR CLEANER

Most engines used for tractor applications utilize a dry element air cleaner.

IMPORTANT Never run the engine with the air cleaner element removed. Dirt will enter the carburetor and score the cylinders.

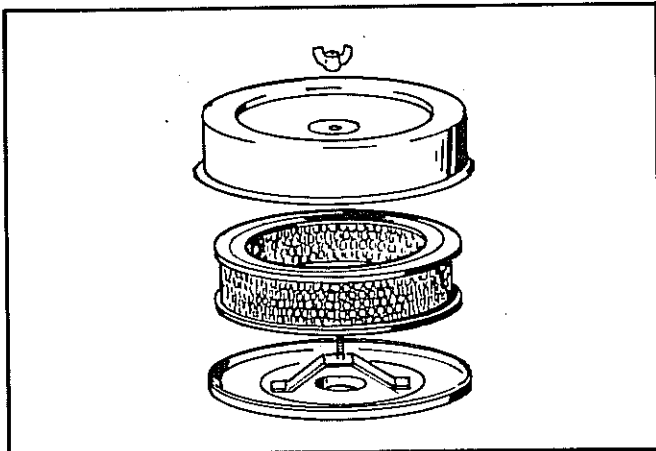


FIGURE 13. TYPICAL AIR CLEANER ELEMENT

In normal operating conditions, clean the air filter every 50 hours. To clean, remove the filter element and tap it gently on a clean, flat surface to dislodge the dirt particles. Do not use high pressure compressed air as damage may occur to the paper pleats.

Replace element every 200 operating hours; replace more often in dusty conditions.

GOVERNOR ADJUSTMENT

If governor requires readjustment, observe the following:

Low Speed Adjustment

A tachometer (electric or mechanical) is required to accurately set the governor speed.

1. Use a screwdriver to accurately adjust the throttle stop screw (A) to 1000 rpm when carburetor throttle is held closed.
2. Readjust the carburetor idle mixture (B) so engine runs smoothly.
3. Check the adjustment made in step 1 and readjust the minimum idle speed if necessary.
4. Adjust the nuts at (C) so the engine will run at 1200 rpm in the "slow" position. To increase speed, turn the nuts clockwise; to decrease speed, turn counterclockwise.
5. Turn the two nuts securely against each other so they will stay in position.

High Speed Adjustment

1. Move the engine speed control all the way ahead to the "fast" position.
2. Turn the adjustment nuts (D) clockwise or counterclockwise as required so engine runs at 3600 rpm.
3. Tighten the two nuts against each other so they will stay in position.

IMPORTANT Do not exceed 3600 rpm.

CLEANING

Inspect the governor linkage, springs, etc., for binding or wear. Clean often in dusty conditions. Blow dust and dirt from linkage with compressed air. Use an approved solvent and apply with a soft brush to remove excessive grease or oil.

NOTE: Later style governor adjustment is the same as for BF, B43M and B48M on page 13.

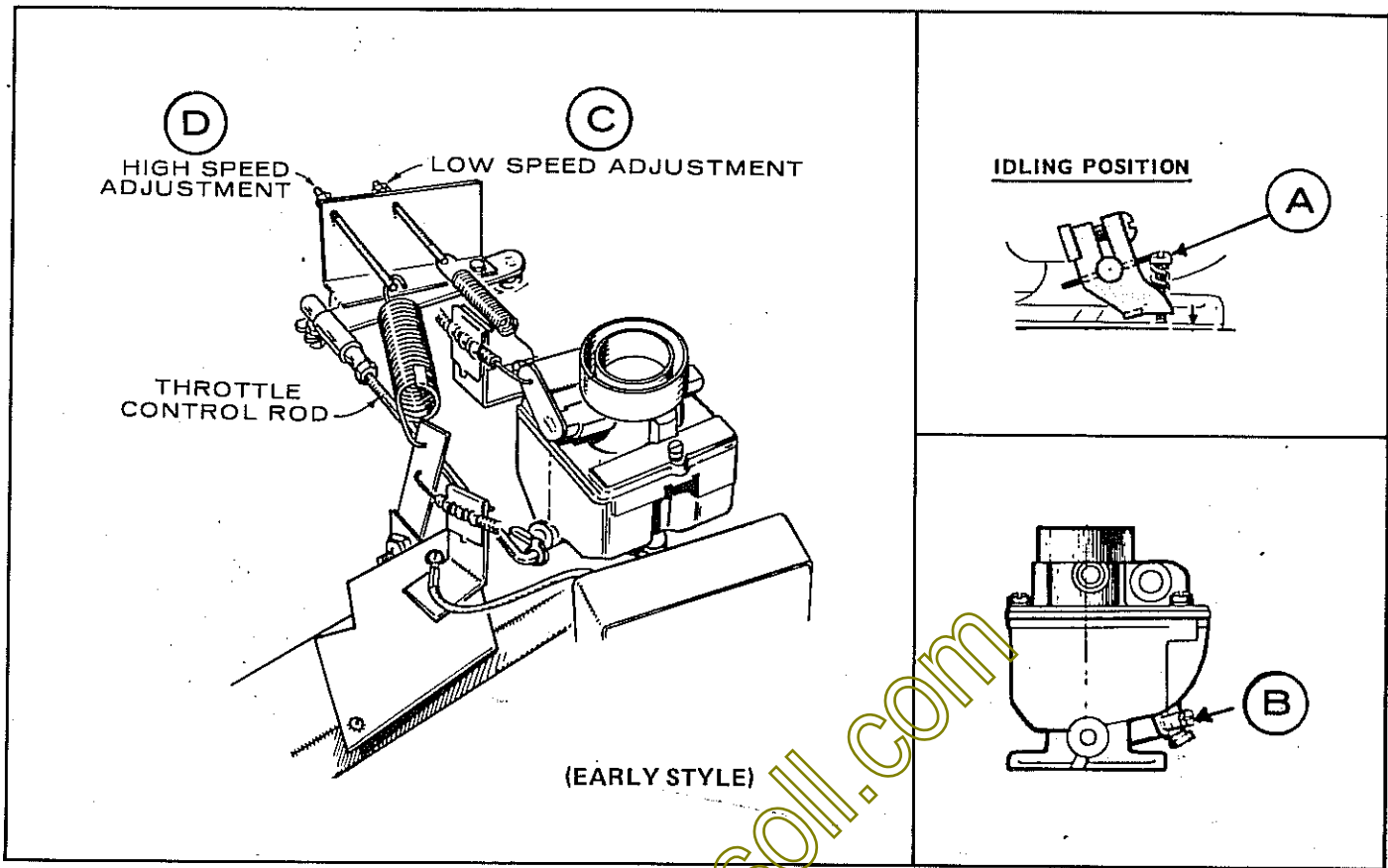


FIGURE 14. GOVERNOR ADJUSTMENT

ENGINE DISASSEMBLY

DISASSEMBLY/ASSEMBLY

General

When complete engine disassembly is necessary, first remove all complete assemblies. Individual assemblies such as fuel pump and carburetor can be disassembled and repaired at another time.

Suggested Disassembly Order

1. Drain crankcase.
2. Disconnect all exhaust lines and electrical lines.
3. Remove engine from its mountings and place on a suitable bench or work stand.
4. Remove all housings, shrouds, blower housings, etc.
5. Remove flywheel, using the proper puller.
6. Remove the gear cover, being careful to protect the oil seal from keyway damage.
7. Remove the crank gear, using a gear puller and ring.
8. Remove all accessories such as oil filter, starter, intake manifold, fuel lines, spark plugs, etc.
9. Remove breaker point box.
10. Remove oil base, oil pump and cylinder heads.
11. Remove valves, springs, lifters, etc.
12. Remove camshaft and gear assembly.
13. Remove connecting rods and pistons.
14. Remove rear bearing plate.
15. Remove crankshaft.
16. Remove front bearing.

Keep all parts in their respective orders. Keep valve assemblies together. Return rod caps to their respective pistons. Analyze the reasons for parts failure.

Suggested Assembly Procedure

Engine assembly is normally the reverse of the disassembly procedure, observing proper clearances and torques. Use a torque wrench to assure proper tightness. Coat the internal engine parts with oil as they are assembled. After the internal engine parts are assembled, the engine should turn over by hand freely. Use only genuine Onan parts and special tools when reassembling your engine.

1. Use the proper bearing driver to install front main bearing.
2. Insert rear main bearing in rear bearing plate.
3. Install crankshaft and rear bearing plate.
4. Install pistons and connecting rods.
5. Install camshaft and gear assembly.
6. Install valve assemblies.
7. Install oil pump, oil base and cylinder heads.
8. Install breaker point box.
9. Install all accessories such as oil filter, starter, fuel lines and spark plugs.
10. Install crank gear, aligning crank gear mark with cam gear mark.
11. Install gear cover and oil seal.
12. Install flywheel.
13. Set breaker points to obtain proper timing.
14. Check valve clearance.
15. Install all housings and air cleaner.
16. Fill crankcase with oil.

Operation

Start engine and check oil pressure. Run for approximately 15 minutes to bring engine to operating temperature. Check for oil leaks, fuel leaks and exhaust leaks. Adjust carburetor and governor for speed and sensitivity.

Tappet Adjustment

The engine is equipped with adjustable valve tappets. The valve tappet clearance should be checked and adjusted, if necessary, at least every 150 operating hours or when poor engine performance is noticed. Adjust the valve clearance only when engine is at ambient temperature. Proceed as follows:

1. Remove ignition key to prevent accidental starting.
2. Remove all parts necessary to gain access to valve tappets.
3. Remove spark plugs to ease the task of turning the engine over by hand.
4. Use the engine flywheel to turn the engine over slowly by hand until the left hand intake valve opens and closes. Continue turning the flywheel until the TC mark is on the top and lined up with the TC mark on the gear cover. Both valves should be closed. This should place the left hand piston at the top of its compression stroke, the position it must be in to get proper valve adjustment for the left cylinder.

5. Check the tappet clearance on the intake valve. See the specifications section of this manual.
6. Check the tappet clearance on the exhaust valve. See the specifications section of this manual.
7. To correct the valve clearance, use a 7/16-inch open end wrench to turn the adjusting screw to obtain the correct clearance. The screw is self-locking and will stay where it is set. A 9/16-inch open end wrench is required to hold the tappet while turning the adjusting screw.
8. To adjust valves on the right hand cylinder, turn engine one complete revolution and again line up mark on the flywheel and the TC mark on the gear cover. Then follow adjustment procedure given for left hand cylinder.
9. Replace all parts removed in Step 2. Tighten all screws securely. Torque manifold bolts to specified torque.

VALVE SYSTEM

Properly seated valves are essential to good engine performance. The aluminum cylinder heads are removable for valve servicing. Do not use a pry to loosen the cylinder head; rap sharply on the edge with a soft faced hammer, taking care not to break any cooling fins. A conventional type valve spring lifter may be used when removing the valve spring locks, which are of the split type. Clean all carbon deposits from the cylinder heads, piston tops, valves, guides, etc. If a valve face is burned or warped, or the stem worn, install a new one.

Worn valve stem guides may be replaced from inside the valve chamber. Valve locks are split, tapered type, of which the smaller diameter must face toward the valve head. Tappets are also replaceable from the valve chamber, after first removing the valve assemblies.

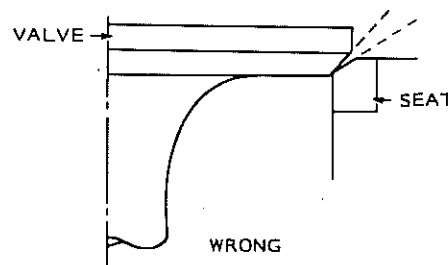
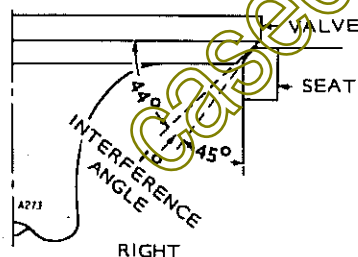
The valve face angle is 44 degrees. The valve seat angle is 45 degrees. This 1-degree interference angle results in a sharp seating surface between the valve and the top of the valve seat. The interference angle method of grind valves minimizes face deposits and lengthens valve life.

The valves should not be hand lapped, if at all avoidable, because the sharp contact may be destroyed. This is especially important where chrome cobalt faced valves and seats are used. Valve faces should be finished in a machine to 44 degrees. Valve seats should be ground with a 45-degree stone and the width of the seat band should be 1/32-inch to 3/64-inch (0.79 to 1.2 mm) wide. Grind only enough to assure proper seating.

Remove all grinding compound from engine parts and place each valve in its proper location. Check each valve for a tight seat, using an air pressure testing tool. If such a tool is not available, make pencil marks at intervals across the valve face and observe if the marks rub off uniformly when the valve is rotated part of a turn against the seat.

Lightly oil the valve stems and assemble all parts removed.

The positive type valve rotators prolong valve life and decrease valve repairs. When functioning properly, the valve is rotated a fraction of a turn each time it opens. While at open position, the valve must rotate freely, but in only one direction. If rotators are faulty, install new rotators.



NOTE: USE A STANDARD AUTOMOTIVE-TYPE WRENCH TO ADJUST THE TAPPETS.

NOTE: SEE VALVE TAPPET CLEARANCES IN TEXT.

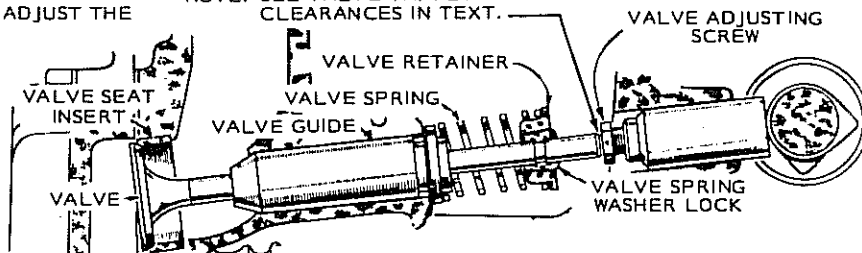


FIGURE 15. VALVE SYSTEM

BF, B43M, B48M
INTAKE 0.008 IN. (0.20 mm)
EXHAUST 0.013 IN. (0.33 mm)

CCKA
INTAKE .007 IN. (0.18 mm)
EXHAUST .016 IN. (0.41 mm)

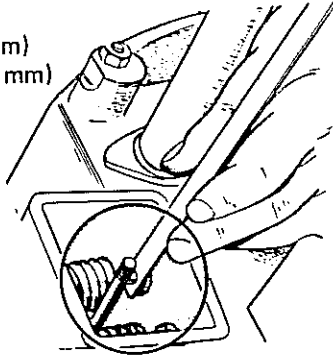
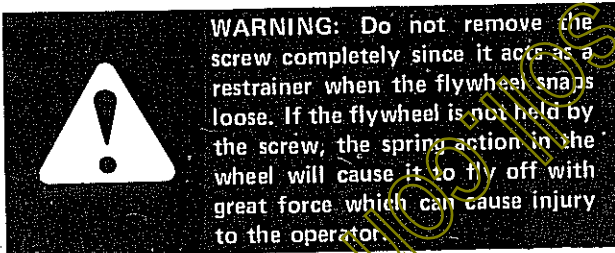


FIGURE 16. VALVE CLEARANCE

FLYWHEEL

Removing the flywheel is a relatively simple process, but the following procedure must be followed to avoid damage to the gear case and possible injury to the operator.

1. Turn the flywheel mounting screw outward about two turns.



2. Install a puller bar on the flywheel as shown in Figure 17.

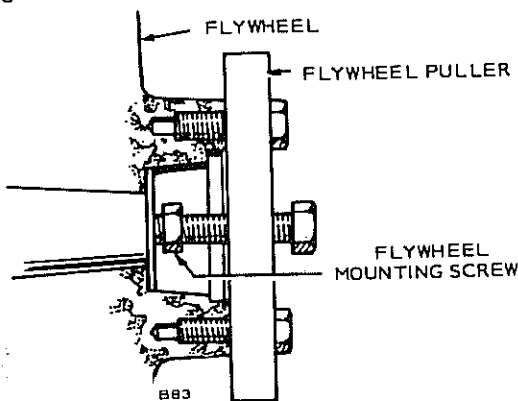


FIGURE 17. BLOWER WHEEL PULLEY

3. Turn the puller bar bolts in, alternately, until the wheel snaps loose on the shaft.

IMPORTANT Do not use a screwdriver or similar tool or pry behind the flywheel against the gear case. The gear case cover is die-cast material and will break if undue pressure is applied in this manner.

4. Unscrew the puller from the flywheel, remove the flywheel mounting screw and washer and pull the flywheel off the shaft. Take care not to drop the wheel. A bent or broken fin will destroy the balance. Always use a steel key for mounting the flywheel.

GEAR COVER

After removing the mounting screws, tap the gear cover gently with a soft faced hammer to loosen it (see Figure 18).

When installing the gear cover, make sure that the pin in the gear cover engages the lined (smooth) hole in the governor cup. Turn the governor cup so that the lined hole is at the three o'clock position. Use a small amount of grease to assist in holding governor cup in position. The smooth side of the governor yoke must ride against the governor cup. Turn the governor arm and shaft clockwise as far as possible and hold in this position until the gear cover is installed flush against the crankcase. Be careful not to damage the gear cover oil seal.

GOVERNOR CUP

With the gear cover removed, the governor cup can be taken off after removing the snap ring from the camshaft center pin. Catch the flyballs while sliding the cup off (Figure 19).

Replace with a new part any flyball which is grooved or has a flat spot; the ball spacer if its arms are worn or otherwise damaged; and the governor cup if the race surface is grooved or rough. The governor cup must be a free-spinning fit on the camshaft center pin, but without any excessive play.

When installing the governor cup, tilt the engine so the gear is up, put the flyballs in place (equally spaced) and install the cup and snap ring on the center pin.

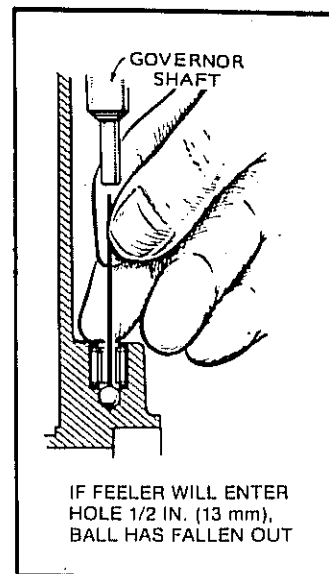
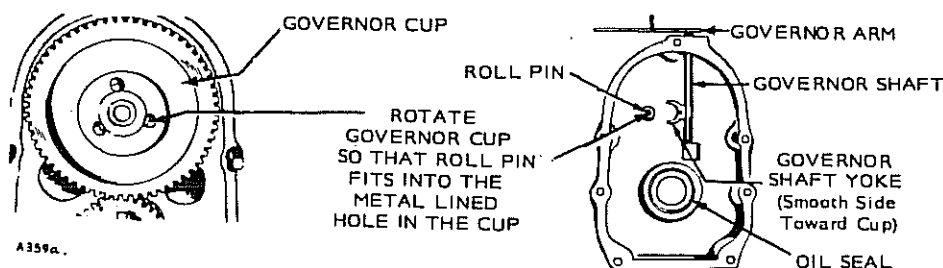


FIGURE 18. GEAR COVER ASSEMBLY

The camshaft center pin extends out 3/4 inch (19 mm) from the end of the camshaft. This distance provides an in-and-out travel distance of 7/32 inch (5.6 mm) for the governor cup, as illustrated. Hold the cup against the flyballs when measuring. If the distance is less (the engine will race, especially at no load) remove the center pin and press in a new pin or grind off the hub of the cup as required. The camshaft center pin cannot be pulled outward or removed without damage. If the center pin extends out too far, the cup will not hold the flyballs properly.

TIMING GEARS

If replacement of either the crankshaft gear or the camshaft gear becomes necessary, always install both gears new.

To remove the crankshaft gear, first remove the snap ring and retainer washer, then attach the gear pulling ring using two No. 10-32 screws (Figure 20). Tighten the screws alternately until both are tight. Attach a gear puller to the puller ring and proceed to remove the gear.

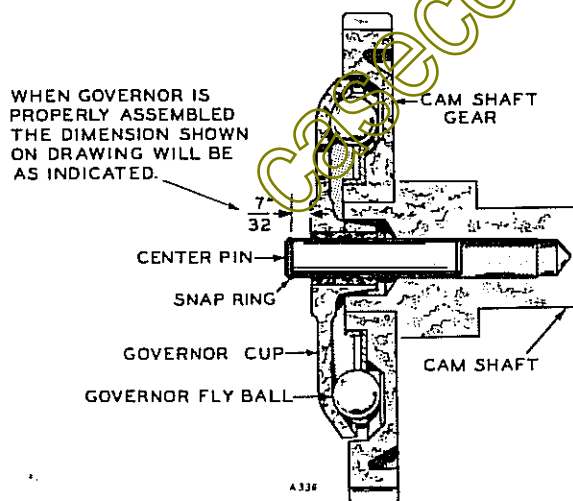


FIGURE 19. GOVERNOR CUP DETAIL

The camshaft and gear must be replaced as an assembly. Before removing the camshaft and gear assembly, remove the cylinder head and valve assemblies. Then remove the operating plunger for the breaker points and tappets.

Each timing gear is stamped with "O" near the edge. The gear teeth must mesh so that these marks exactly coincide when the gears are installed in the engine. When installing the camshaft gear and shaft assembly, be sure that the thrust washer is properly in place behind the camshaft gear. Then install the crankshaft retaining washer and lock ring.

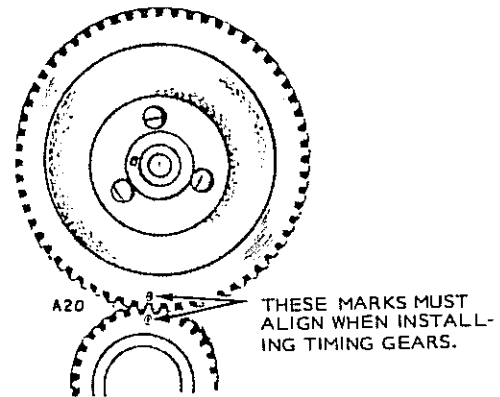
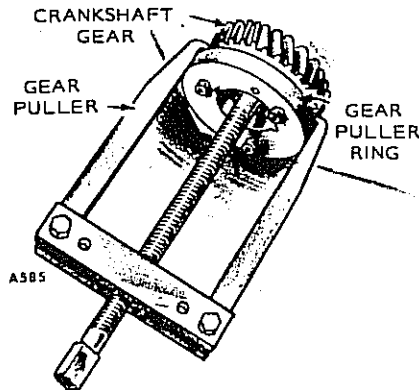


FIGURE 20. TIMING GEAR REMOVAL AND INSTALLATION

PISTONS AND CONNECTING RODS

Observe the following procedure when removing pistons and connecting rods from the engine.

1. Drain oil.
2. Remove the cylinder head and oil base pan from the engine.
3. Remove the ridge from the top of each cylinder with a ridge reamer before attempting piston removal (Figure 21).

IMPORTANT Forcing the piston from the cylinder before reaming may cause damage to the piston lands and break rings.

4. Turn the crankshaft until the piston is at the bottom of its stroke and remove the connecting rod nuts. Lift the rod bearing cap from the rod and push the rod and piston assembly out through the top of the cylinder using a hammer handle. Avoid scratching the crankpin and cylinder wall when removing the piston and rod.

Mark each piston and rod assembly so they can be returned to their respective cylinders after overhaul. Keep connecting rod bearing caps with their respective rods.

5. Remove the piston rings from the piston with a piston ring spreader as shown in Figure 22. Remove the piston pin retainer and push the piston pin out.

Remove dirt and deposits from the piston surfaces with an approved cleaning solvent. Clean the piston ring grooves with a groove cleaner or the end of a piston ring filed to a sharp point (Figure 23). Care must be taken not to remove metal from the groove sides.

IMPORTANT Do not use a caustic cleaning solvent or wire brush for cleaning pistons. These materials will cause piston damage.

When cleaning the connecting rods in solvent, include the rod bore. Blow out all passages with compressed air.

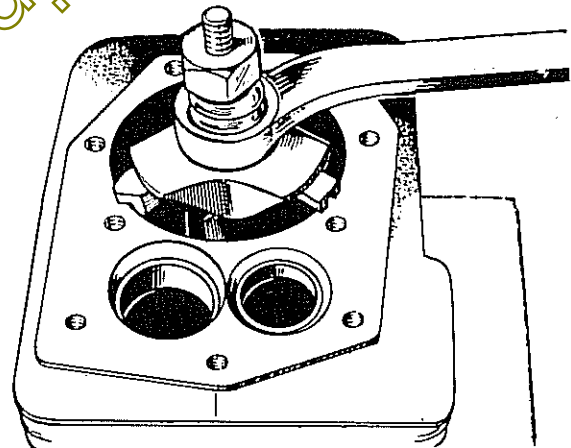


FIGURE 21. REMOVING RIDGE FROM CYLINDER

Inspection

The following text contains inspection procedures concerning pistons and connecting rods.

1. Piston Inspection

- a. Inspect the pistons for fractures at the ring lands, skirts and pin bosses. Check for wear at the ring lands using a new ring and feeler gauge as shown in Figure 24. Replace the piston when the side clearance of the top compression ring reaches 0.004" (0.10 mm) on B43M and B48M; 0.008" (0.20 mm) on BF and CCKA.

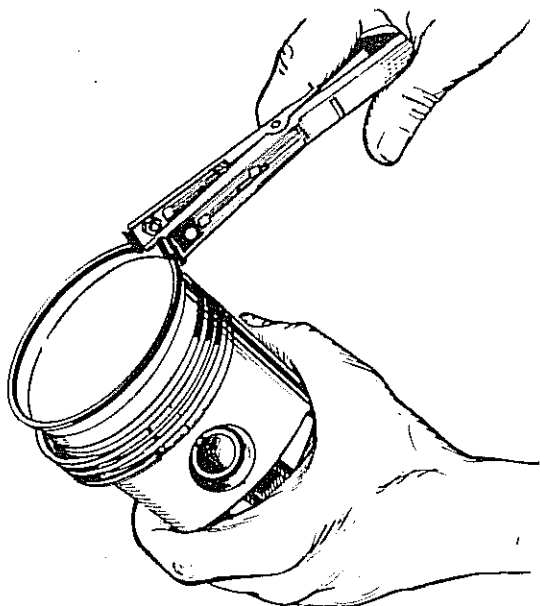


FIGURE 22. REMOVING PISTON RINGS

- b. Replace pistons showing signs of scuffing, scoring, worn ring lands, fractures or damage from preignition. Excessive piston wear near the edge of the top ring land indicates preignition.
2. **Connecting Rod Inspection**
- a. Replace connecting rod bolts and nuts with damaged threads. Replace connecting rods with deep nicks, signs of fractures, scored bores or bores out of round more than 0.002 inch.
 - b. Use a new piston pin to check connecting rod for wear. A push fit clearance is required and varies from engine to engine. If a new piston pin falls through a dry rod pin bore as a result of its own weight, replace the rod.

3. **Connecting Rod Bearings Inspection (CCKA)**

- a. Inspect the bearings for burrs, breaks, pitting and wear. Replace bearing inserts that are scored, have the overlay wiped out, show fatigue failure or are badly scratched.
- b. If the bearings appear to be serviceable, check them for proper clearance. If they exceed the specified clearances, replace them.

Connecting Rod Bushing Replacement

- a. Press out the old bearing with a press and proper driver.
- b. After checking to be sure the right bushing is used, carefully press the new bushing in with the same driver used to remove the old one.

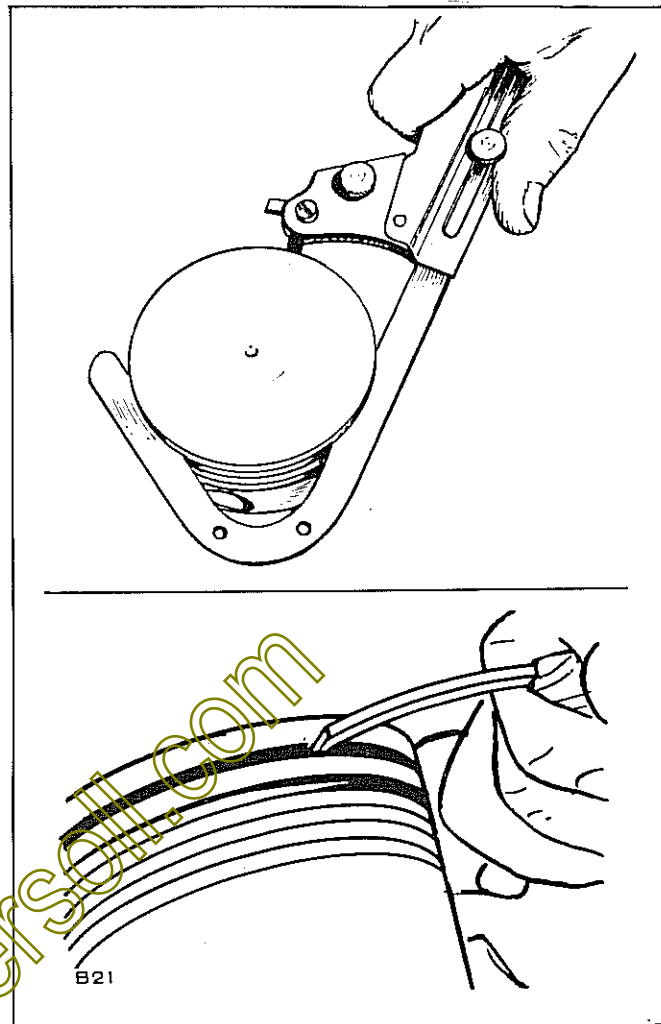


FIGURE 23. PISTON GROOVE CLEANING

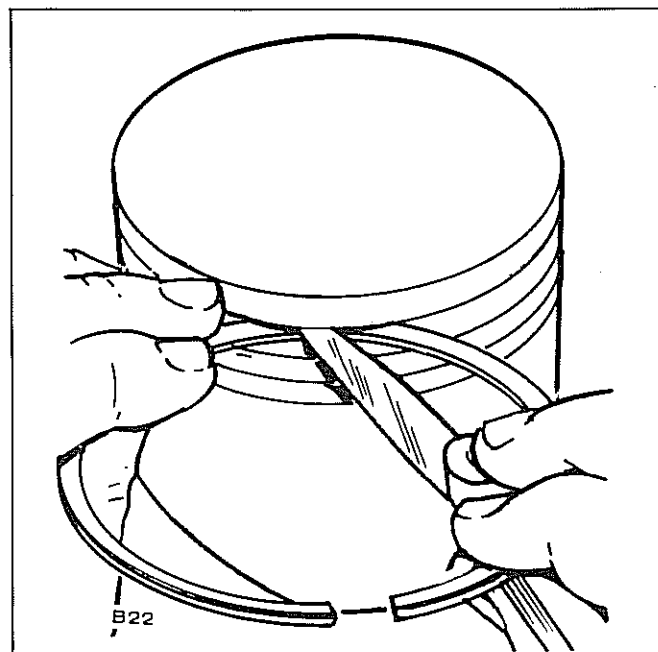


FIGURE 24. CHECKING RING SIDE CLEARANCE

Most Onan engines use precision bearings that do not require reaming. Be sure that the oiler holes are at least half open to permit sufficient oiling of the pin.

The bushing can then be finish reamed making sure the oil spray hole remains open.

- c. Check all bushings for push fit of the piston pin.

Connecting Rod Alignment

- a. Place the connecting rod in an alignment fixture such as "Connecting Rod Aligning Set" Onan No. 420P173. This set can be used on all models which require the "Small Rod Adapter" Onan No. 420P195.
- b. Straighten or replace connecting rods twisted more than 0.012" or bent more than 0.005".

Rod Bearing Replacement (Piston in engine)

- a. Rotate the crankshaft until the connecting rod to which the bearing is fitted is down.
- b. Remove the connecting rod cap. Push the connecting rod up into the cylinder and remove the bearing insert from the rod and cap.
- c. Clean the crankshaft journal and bearing inserts.
- d. Install new bearings in the connecting rod and cap and pull the connecting rod assembly down firmly on the crankshaft journal.
- e. Insert a piece of Plastigauge on the lower bearing surface according to the directions in this section and install and torque the rod cap. Remove the rod cap and measure the clearance of the new bearing according to the Plastigauge width.

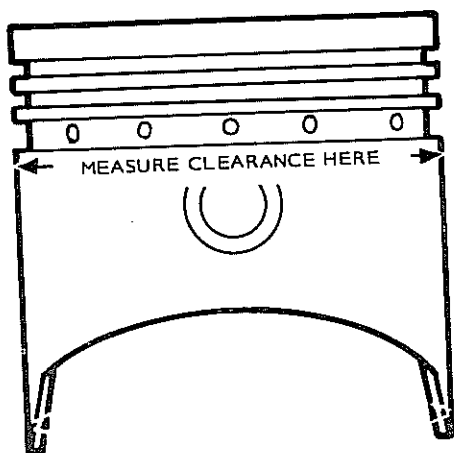


FIGURE 25. MEASURING PISTON CLEARANCE

- f. When the new bearing clearance has been checked and is found to be satisfactory, apply a light coat of engine oil to the journal and bearings. Install and torque the rod cap.

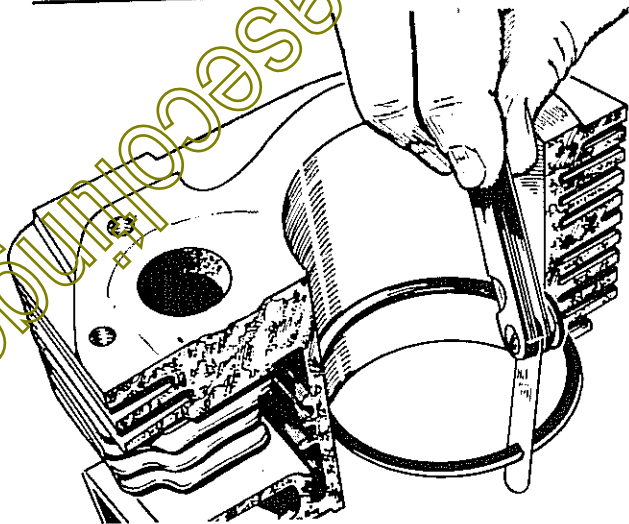
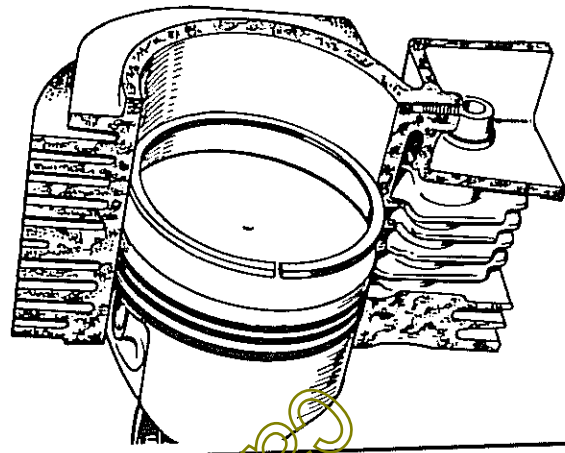


FIGURE 26. POSITIONING OF PISTON RING AND MEASURING OF END GAP

4. Fitting Pistons

- a. Proper piston tolerances must be maintained for satisfactory operation.
- b. Measure the piston to cylinder clearance as shown in Figure 25 to be sure the total clearance follows specifications.

5. Fitting Piston Rings

- a. Install the piston ring in the cylinder bore. Invert the piston and push the ring to the end of ring travel, about halfway into the bore, which trues the ring end gap. Check the gap with a feeler gauge as shown in Figure 26.
- b. The practice of filing ring ends to increase the end gap is not recommended. If the ring end gap does not meet specifications, check for the correct set of rings and the correct bore size. A cylinder bore that is 0.001 inch under size will reduce the end gap 0.003 inch.

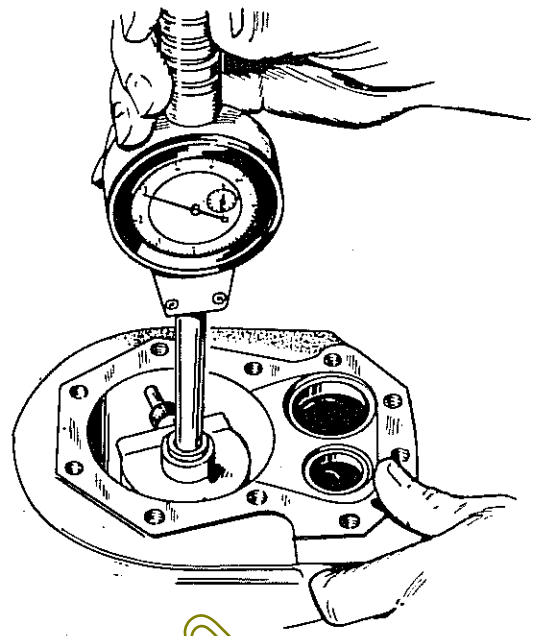
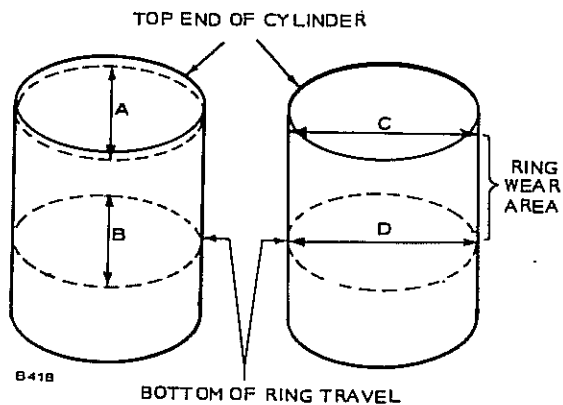


FIGURE 27. METHODS OF MEASURING THE DIAMETER OF A CYLINDER

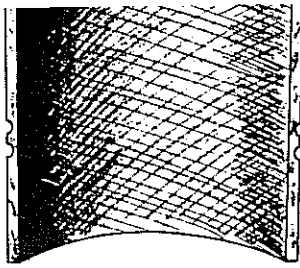
CYLINDER BLOCK

1. Make a thorough check for cracks. Minute cracks may be detected by coating the suspected area with a mixture of 25 percent kerosene and 75 percent light motor oil. Wipe the part dry and immediately apply a coating of zinc oxide (white lead) dissolved in wood alcohol. If cracks are present, the white coating will become discolored at the defective area.
2. Inspect the cylinder bore for scoring. Check the Welsh plugs for a tight, even fit and the fins for breakage.
3. Check the cylinder bore for taper, out of round and wear, with a cylinder bore gauge, telescope gauge or inside micrometer (Figure 27). These measurements should be taken at four places—the top and bottom of piston ring travel.
4. Record measurements taken lengthwise at the top and bottom of the piston travel as follows:
 - a. Lengthwise of the block, measure and record as "A" the diameter of the cylinder at the top of the cylinder where greatest ring wear occurs.
 - b. Also, lengthwise of the block, measure and record as "B" the cylinder diameter at the piston skirt travel.
 - c. Crosswise of the block, measure and record as "C" the diameter of the top of the cylinder at the greatest point of wear.
 - d. Measure and record as "D" the diameter at the bottom of the cylinder bore and crosswise of the block.
 - e. Reading "A" compared to reading "B" and reading "C" compared to reading "D" indicates cylinder taper.

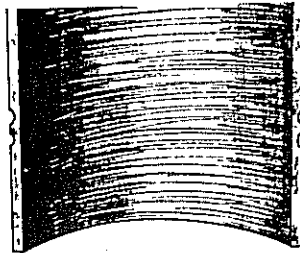
- f. If cylinder taper exceeds 0.005 inch (0.13 mm), rebores and hone to accommodate the next oversize piston. Reading "A" compared to reading "C" and reading "B" compared to reading "D" indicates whether or not the cylinder is out of round. If the out of round exceeds 0.002 inch (0.05 mm), the cylinders must be rebored and honed for the next oversize piston. A reboring machine is used when going to oversize pistons. The following repair data covers honing to oversize by use of a hone.

Repair

1. A hone can be used to rebores a cylinder. Remove stock to 0.002" undersize of finish bore with a coarse hone (100 grit) then complete honing with finish hones (300 grit).
2. Anchor the block solidly for either vertical or horizontal honing. Use either a drill press or heavy-duty drill which operates at approximately 250 to 450 rpm.
3. Lower the hone into the cylinder until it protrudes 1/2 to 3/4 inch past the end of the cylinder. Rotate the adjusting nut until the stones come in contact with the cylinder wall at the narrowest point.
4. Turn the hone by hand. Loosen the adjusting nut until the hone can be turned.



PRODUCE CROSS HATCH SCRATCHES FOR FAST RING SEATING



AVOID THIS FINISH

FIGURE 28. CROSSHATCHING

5. Connect drill to hone and start drill. Move the hone up and down in the cylinder approximately 40 cycles per minute. Usually the bottom of the cylinder must be worked out first because it is smaller. Then when the cylinder takes a uniform diameter, move the hone up and down all the way through the bore. Follow the hone manufacturer's recommendations for wet or dry honing and oiling the hone.
6. Check the diameter of the cylinder regularly during honing. A dial bore gauge is the easiest method but a telescoping gauge can be used. Check the size at six places in the bore; measure twice at the top, middle and bottom at 90° angles.
7. When the cylinder is approximately 0.002" (0.05 mm) within the desired bore, change to fine stones and finish the bore. The finish should not be smooth but as shown in Figure 28. The cross-hatch formed by the scratching of the stones should form an angle of 23°. This can be achieved by moving the hone up and down in the cylinder about 40 cycles per minute.
8. Clean the cylinder block thoroughly with soap, water and clean rags. A clean white rag should not be soiled on the wall after cleaning is complete. Do not use a solvent or gasoline since they wash the oil from the walls but leave the metal particles.

9. Dry the crankcase and coat it with oil.

CRANKSHAFT

Inspect the bearing journals. If they are scored and cannot be smoothed out by dressing down, replace the crankshaft.

Whenever making major repairs on the engine, always inspect the drilled passages of the crankshaft. Clean them to remove any foreign material and to assure proper lubrication of the connecting rods.

CRANK AND CAM BEARINGS

Removing camshaft or crankshaft bearings (Figures 29-31) requires complete disassembly of the engine. Use a press or a suitable drive plug to remove the bearings. Support the casting to avoid distortion and avoid damaging the bearing bore during removal and installation. Use oil on the bearings to reduce friction when installing and again lubricate with oil after installing.

New camshaft bearings are precision type which *do not* require line reaming or line boring after installation. Coat the bearing with SAE 20 oil to reduce friction. Place the bearing on the crankcase over the bearing bore with the elongated hole in proper position and narrow section facing out (except bores without oil holes install with bearing groove at the top). Be sure to start the bearing straight. Press the front bearing in flush with the bottom of counterbore which received the expansion plug (see Figure 29).

Crankshaft main bearings are precision type which do not require line reaming or line boring after installation. They are available in standard size and under size. Expand the bearing bore by placing the casting in hot water or in an oven heated to 200°F (93°C).

IMPORTANT If a torch is used, apply only a little heat. Distortion will result from too much local heat.

PRECISION TYPE - DO NOT LINE REAM OR BORE.

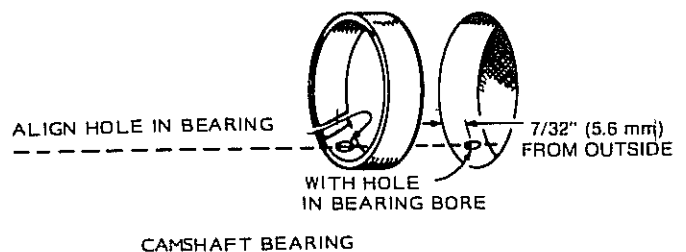


FIGURE 29. CAMSHAFT BEARING

To ease assembly, cool the precision bearing to shrink it. Align the oil hole(s) in the bearing with the oil hole(s) in the bearing bore. The oil passage must be at least 1/2 open. Lubricate bearings with SAE 20 oil before installing. The cold oiled precision bearing should require only light taps to position it with a driving tool. If head of lock pin is damaged, use side cutters or Easy Out tool to remove and install new pin. Apply oil to thrust washer (one used with each bearing) to hold it in place while installing the crankshaft. Oil grooves in thrust washers must face the crankshaft and washers must be flat (not bent). The two notches on each washer must fit over the two lock pins to prevent riding on the crankshaft.

Original front bearing uses a separate thrust washer. Replacement front bearing is a one piece assembly with thrust washer part of the bearing. Do not use a separate thrust washer when installing this replacement part.

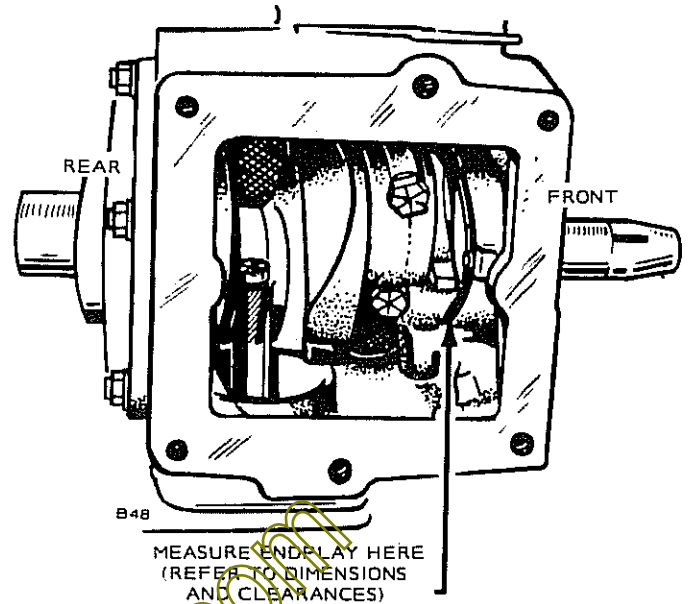


FIGURE 32. CRANKSHAFT ENDPLAY

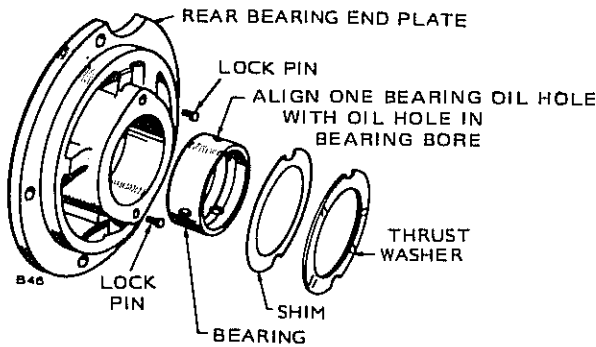


FIGURE 30. BEARINGS FOR REAR BEARING PLATE

CRANKSHAFT ENDPLAY

After the rear bearing end plate has been tightened using the torque recommended in *ASSEMBLY TORQUES*, check the crankshaft endplay as shown in Figure 32. If there is too much endplay (see *DIMENSIONS AND CLEARANCES* for minimum and maximum endplay), remove the rear bearing end plate and add a shim between the thrust washer and plate. Reinstall the end plate making sure the thrust washer and shim notches line up with the lock pins. Torque and recheck endplay of the crankshaft.

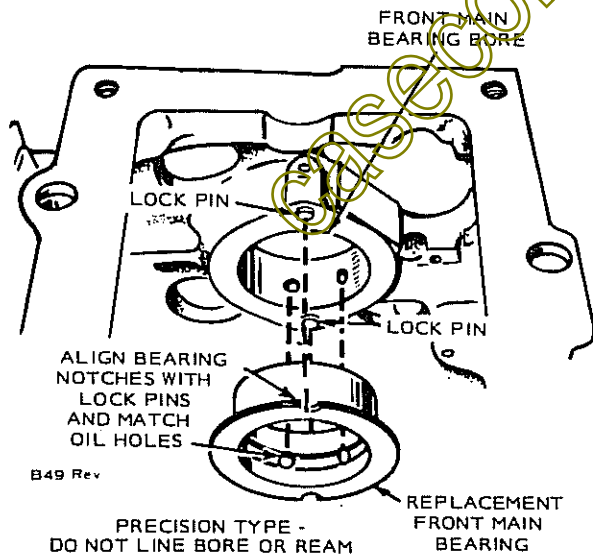


FIGURE 31. FRONT MAIN BEARING INSTALLATION

Checking Bearing Clearance with Plastigauge

1. Make certain that all parts are marked or identified so that they are reinstalled in their original positions.
2. Place a piece of correct size Plastigauge in the bearing cap the full width of the crankshaft rod surface about 1/4 inch (6.35 mm) off center (Figure 33).
3. Rotate the crank about 30 degrees from bottom dead center and reinstall the bearing cap; tighten the bolts to the torque specified in *ASSEMBLY TORQUES AND SPECIAL TOOLS*. Do not turn the crankshaft.
4. Remove the bearing cap. Leave the flattened Plastigauge on the part to which it has adhered and compare the widest point with the graduations of the Plastigauge envelope to determine bearing clearance.

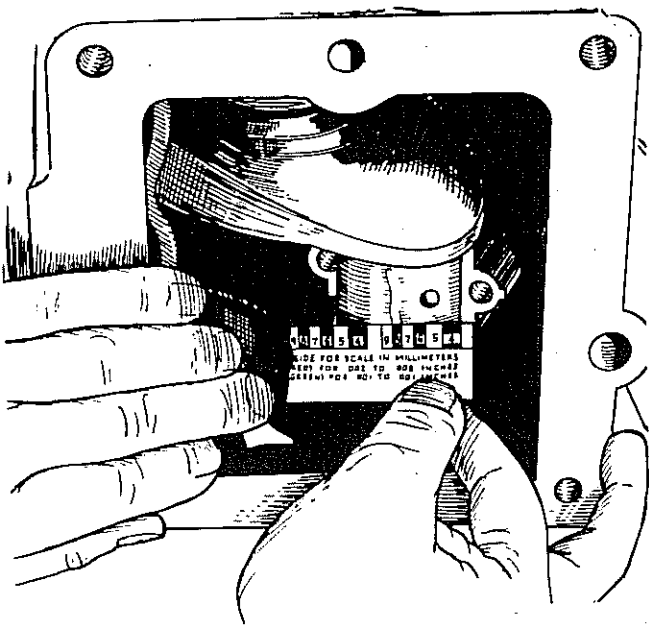


FIGURE 33. MEASURING BEARING CLEARANCE

ASSEMBLY

1. Lubricate all parts with engine oil.
2. Position piston on its respective rod and install the pin.
3. Install the rings on the pistons starting with the oil control ring (Figure 35). Use a piston ring spreader to prevent twisting or excessive expansion of the ring. Compression rings have a dot or the word "top" on one side of the ring to indicate which side faces the top of the piston. Unmarked piston rings can be installed either way. The oil control ring has an expander; install the expander first and then close until the expander ends butt. The joint should be 180 degrees from the gap of that ring. The second compression ring has an expander also.

OIL SEALS

The bearing plate must be removed to replace the oil seal (see Figure 34). Drive the oil seal out from the inside.

Before installing the seals, fill the space between lips with a multi-purpose grease. This will improve sealing.

When installing the gear cover oil seal, tap the seal inward until it is 1-1/32" (26 mm) on B43M and B48M, 31/32" (24.6 mm) on BF and CCKA from the mounting face of the cover.

When installing the bearing plate oil seal, tap the seal into the bearing plate bore to bottom against the shoulder in the plate bore. Use a seal expander or place a piece of shim stock around the end of the crankshaft, when replacing the bearing plate to avoid damaging the seal. Remove the shim stock as soon as the plate is in place.

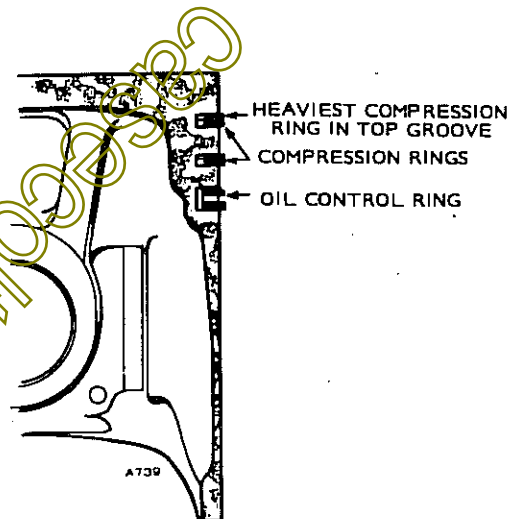


FIGURE 35. PISTON RINGS

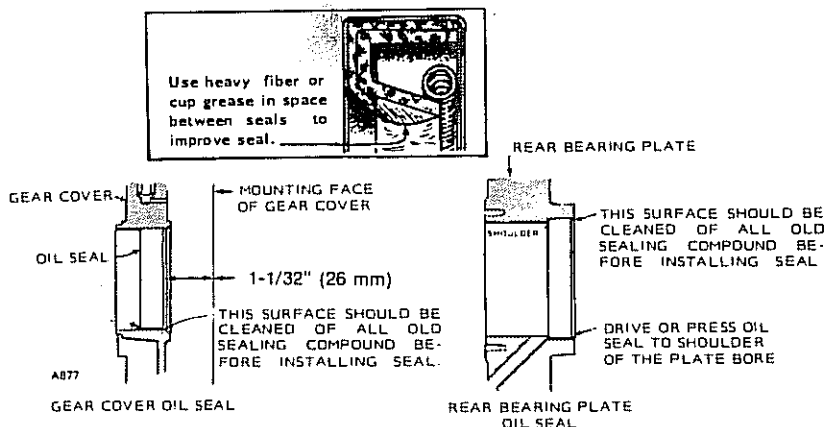


FIGURE 34. GEAR COVER AND REAR BEARING PLATE OIL SEALS

INSTALLATION OF PISTON IN CYLINDER

1. Turn the crankshaft to position the number one rod bearing journal at the bottom of its stroke.
2. Lubricate the number one piston assembly and inside of the cylinder. Compress the rings with a ring compressor
3. Position the piston and rod assembly in the cylinder block.

Rod bolts are off-set toward outside of block.

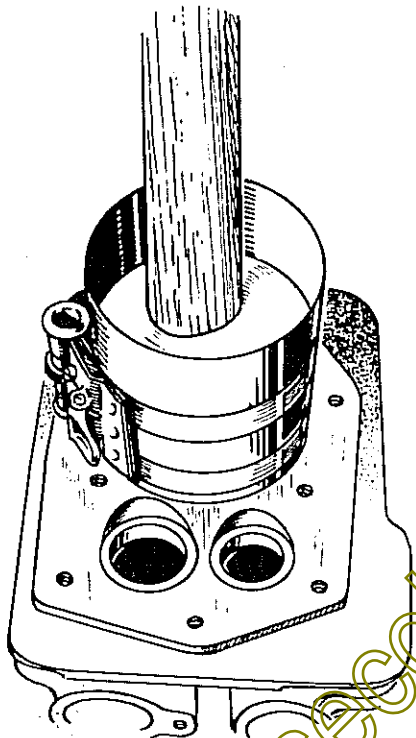


FIGURE 36. INSTALLING PISTON

4. Tap the piston down into the bore with the handle end of a hammer until the connecting rod is seated on the journal (Figure 36). Install the bearing cap on the rod with the stamped reference numbers matching the marks on the rod. Install and tighten the bolts evenly in steps to the specified torques.

The bearing cap must be tapped to properly align it with the rest of the connecting rod. Clearance varies on the journal if this is not done.

Install the remaining piston and rod in the same manner. Crank the engine over by hand to see that all bearings are free.

5. Install the oil base with a new gasket.
6. Install the cylinder heads
7. Replace oil and break in engine.

CYLINDER HEADS

Remove the cylinder heads for cleaning each 200 hours or when poor engine performance is noticed.

1. Use a 1/2 inch socket wrench to remove cylinder head bolts. Lift heads off.

IMPORTANT

Do not remove heads when they are hot. Warpage may occur.

2. After removing heads, clean out all carbon deposits. Be careful not to damage the outer sealing edges where gaskets fit. The heads are made of aluminum and can be damaged by careless handling.
3. Use new head gaskets and clean both the heads and the cylinder block thoroughly where the head gaskets rest.
4. Place heads in position and follow head torque tightening sequence shown in Figure 45. Start out tightening all bolts to 5 ft. lb (7 N•m), then 10 ft. lb (14 N•m), etc., until all bolts are torqued. See the Assembly Torque Section of this manual.
5. Recheck torque before engine has run a total of 25 hours. (50 hours for CCKA).

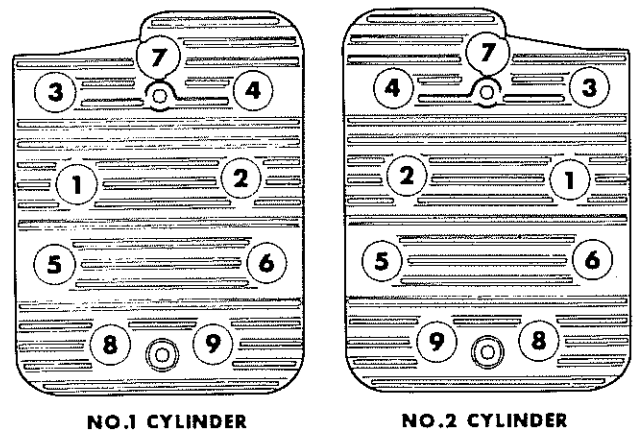


FIGURE 37. CYLINDER HEAD TORQUE SEQUENCE

casecoltingersoll.com