

**SECTION**

**B**

**SERVICING THE  
HYDRAULIC PUMP**

# HYDRAULIC PUMP

## (Refer to Figure B-1)

### Disassembly

#### **NOTE**

Before disassembly, scribe a line across the pump covers and body so alignment can be made upon reassembly.

1. Remove key (8) from the drive gear shaft (6).
2. Remove bolts (1), washers (2) and cover (3)

from body (9). Remove seal (4) from cover (3).

3. Remove adapter cover (12) and remove seal (13), brass seal (10), spacer (11) and seal (4).
4. From body (9), remove drive and driven gears (6 and 7) and bearings (5).

### Inspection

1. Clean all parts thoroughly before inspection. Replace all worn or damaged parts.
2. Inspect all metal parts for score marks, burrs, or other damage. Slight nicks and burrs can be removed with a hone or crocus cloth.

3. Inspect gears (6 and 7) for chipped or damaged teeth.
4. Replace spacer (11) and all seals and gaskets each time the hydraulic pump is disassembled.

### Assembly

1. Lubricate each part—except seal (13) with clean, fresh, SAE No. 10 oil at reassembly.
2. Apply a light coat of Permatex No.3, or equivalent, to the bore of cover (12), then press a new oil seal (13) into the cover until it bottoms with the oil seal lip to the inside of the pump. Refer to Inset A.
3. Place bearings (5) on gears (6 and 7) with chamfered edge next to the gear. The place gears in body (9).
4. Place rubber spacer (11) in cover, then

also install brass seal (10) and seal (4) in cover (12).

5. Place seal (4) in cover (3).
6. Install both covers onto body, aligning the scribe marks during installation.

#### **CAUTION**

Exercise care when installing cover (12) onto gear shaft (6) so as not to damage oil seal (13).

7. Install bolts (1) and washers (2). Torque bolts (1) to 28-32 foot-pounds.

**REFER TO SECTION D FOR CHECKING THE PUMP FLOW**

# Disassembly – Inspection – Assembly

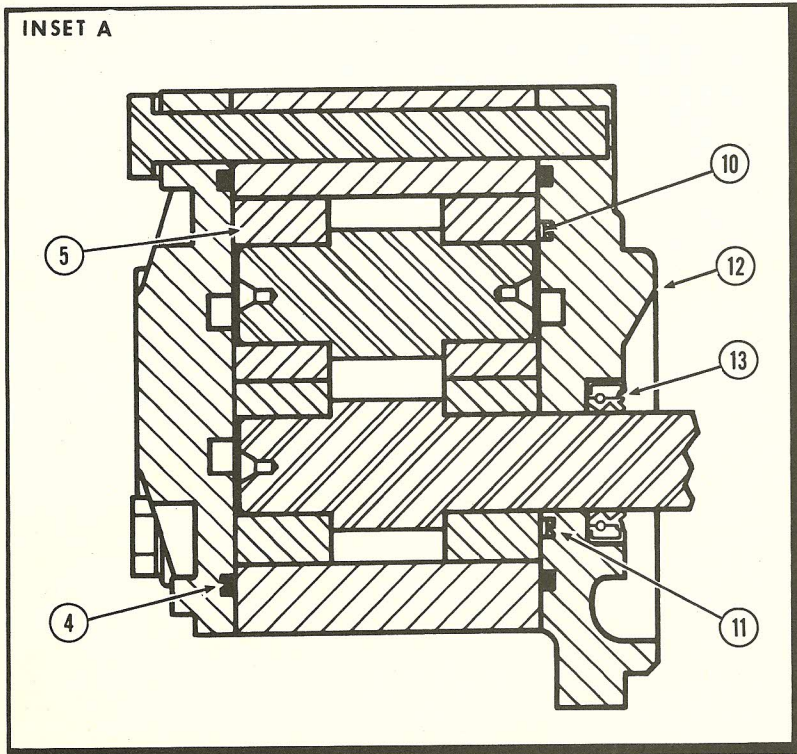
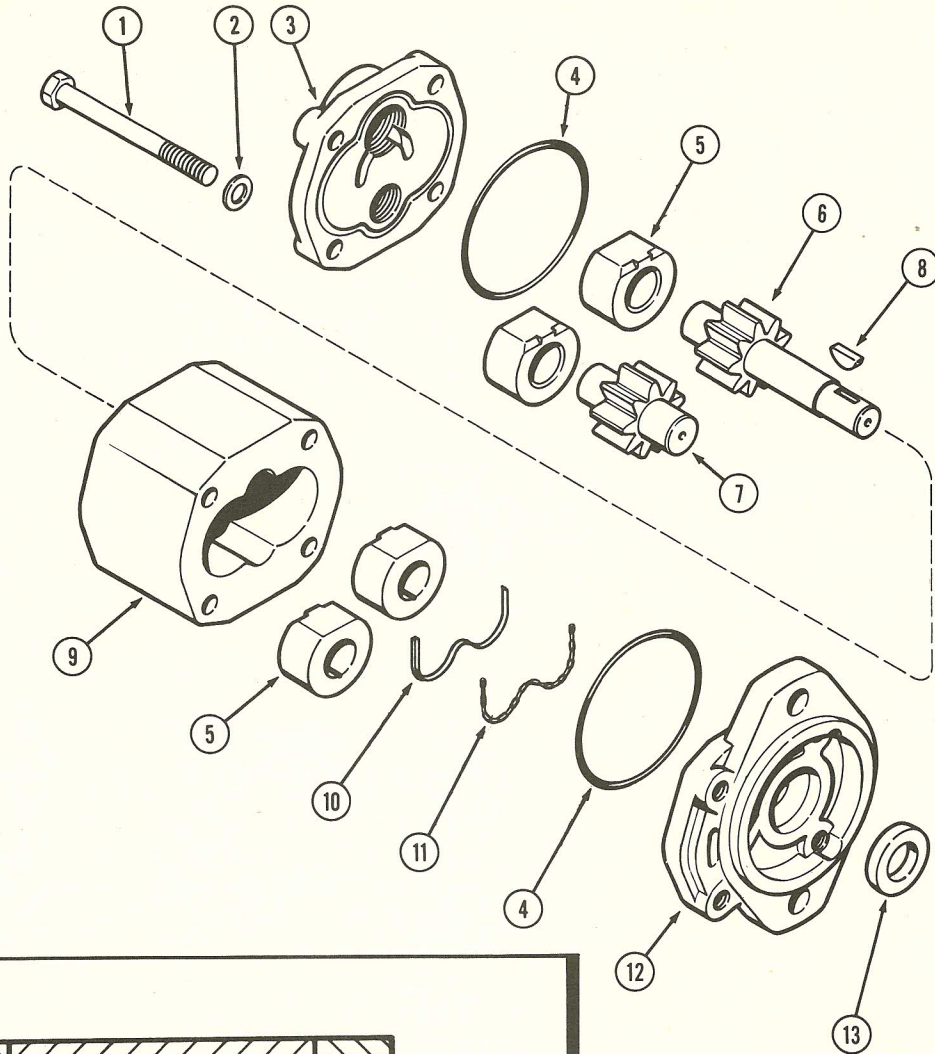


Figure B-1



**NOTE: The J. I. Case Company reserves the right to make improvements in design or changes in specifications at any time without incurring any obligation to install them on units previously sold.**