



UTILITY BLADE

J-50 and J-54

Operator's Manual 9-50842

casecoltingersoll.com

J I Case
A Tenneco Company





This Safety Alert Symbol Indicates Important Safety Messages In This Manual When You See This Symbol Carefully Read The Message That Follows and Be Alert To The Possibility Of Personal Injury Or Death

IF THIS MACHINE IS USED BY AN EMPLOYEE OR IS LOANED OR RENTED, MAKE ABSOLUTELY CERTAIN THAT THE OPERATOR(S), PRIOR TO OPERATING:

- 1. IS INSTRUCTED IN SAFE AND PROPER USE.**
- 2. REVIEWS AND UNDERSTANDS THE MANUAL(S) PERTAINING TO THE MACHINE.**

751253



WARNING

BEFORE STARTING ENGINE

**STUDY OPERATOR'S MANUAL SAFETY MESSAGES
READ ALL SAFETY SIGNS ON MACHINE
CLEAR THE AREA OF OTHER PERSONS**

**LEARN & PRACTICE SAFE USE OF
CONTROLS BEFORE OPERATING**

IT IS YOUR RESPONSIBILITY TO UNDERSTAND AND FOLLOW MANUFACTURER'S INSTRUCTIONS ON MACHINE OPERATION, SERVICE, AND TO OBSERVE PERTINENT LAWS AND REGULATIONS. OPERATOR AND SERVICE MANUALS MAY BE OBTAINED FROM YOUR EQUIPMENT DEALER.

TABLE OF CONTENTS

	Page
INTRODUCTION	4
OPTIONAL EQUIPMENT	5
OPERATION - ADJUSTMENTS - MAINTENANCE ..	5
ASSEMBLY	6
INSTALLATION	8
REMOVAL	9

SAFETY MESSAGES



The Safety Messages contained in this manual are to be used together with the Safety Messages appearing in the tractor operator's manual. Be sure to review both carefully before operating the tractor - utility blade combination.



CAUTION: The trip lock pin must be removed for all operations except slow speed dirt or grave movement operations.

If an obstruction is hit with the trip lock pin in place, a sudden jolt may occur causing loss of control or upset.



CAUTION: Insert the trip lock pin to prevent the blade from partially tripping and causing injury during removal and installation.



CAUTION: Keep hands and feet clear of this area. This pin locks blade in fixed dozing position. Removing pin allows blade to tilt with spring trip action for snow removal use. Store pin in hole and secure with safety pin. See manual for complete instructions.

If blade trips, lift blade and back up several feet to allow blade to snap back into its normal operating position. **DO NOT**, under any circumstances, allow hands or feet to come between blade mould board and blade adapter when blade is in tripped position.

IMPORTANT: Always install new decals whenever the old decals are destroyed, lost, painted over or illegible. When individual parts are replaced that have decals attached, be sure to install a new decal with the new part. Replacement decals are available from your Case Dealer.

INTRODUCTION

The Model J-50, 44" and J-54, 54" Utility Blades are designed for use on Case Model 210, 220, 222, 224, 444 and 446 Tractors above serial number 9646800. These blades are shipped complete in a single carton and do not require additional mounting kits.

The definitions "Right, Left, Front and Rear" as used throughout this manual relate to the tractor and utility blade when the operator is seated facing forward in the normal operating position on the tractor.

This manual covers recommended operating procedures, safety suggestions, adjustments, maintenance information and installation instructions. Read this manual carefully before operating your utility blade. Your J I Case Compact Tractor Dealer is well qualified to answer any further questions you might have concerning this blade. Also, if the need should arise, his Service Department with factory trained technicians, genuine Case replacement parts and the required facilities is in a position to provide proper repairs in the shortest time possible.

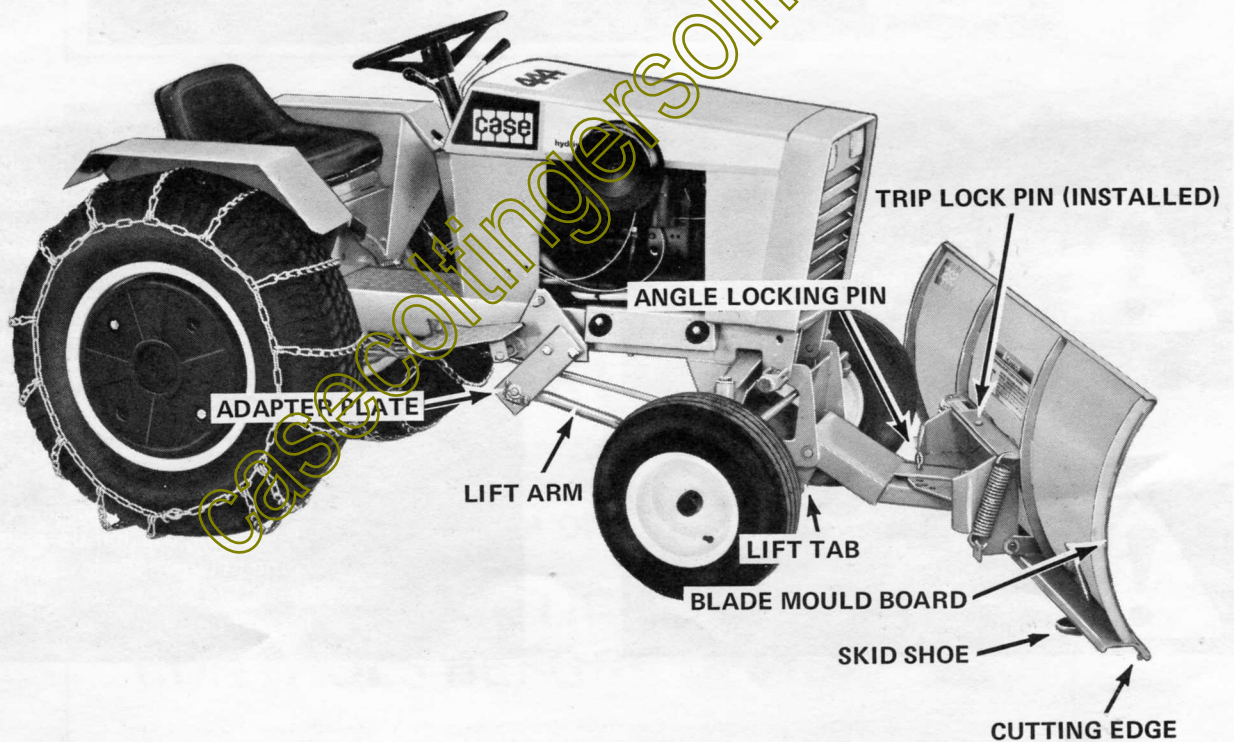


Figure 1
Model 444 Tractor with J-54 Utility Blade, K-10 Wheel Weights and E-16 Tire Chains (Blade shown angled to left)

OPTIONAL EQUIPMENT

The blade is designed to move a variety of materials such as snow, loose dirt, and gravel. Tire Chains and Wheel Weights and/or rear weight box are available as optional accessories and are recommended for use with the utility blade. The rear weight box should be filled with enough ballast to reduce rear wheel slippage.

OPERATION-ADJUSTMENTS-MAINTENANCE

1. The blade can be operated straight ahead or angled left or right. To adjust the angle, raise blade into transport, remove the angle locking pin and turn the blade in the desired direction. Insert the angling pin where the holes in the blade adapter bracket and undercarriage line up at desired setting.
2. The blade cutting edge can be turned around when one side wears down. Do not permit wear to extend into the mouldboard.
3. Oil each pivot point frequently to maintain ease of operation or adjustment.
4. The blade skid shoes control the cutting height of the blade. For snow removal, set the skid shoes lower than the blade cutting edge to provide a slight clearance between cutting edge and a smooth, level surface. In other grading operations, adjust the skid shoes even with or slightly higher than the cutting edge, as desired.
5. Trip Lock Pin - To enable the blade to trip when obstacles are encountered, such as during snow removal operation, remove the lock pin from the Trip Lock Hole and place it in its storage location. To hold the blade rigid when moving dirt or gravel, place this pin in the Trip Lock Hole. Refer to Figures 2 and 4.
6. If tractor is equipped with Hydraulic Lift, "down pressure" can be applied to the blade, if desired. For normal operation and when it is desirable for the blade to float, locate the Hydraulic Lift lever in the "float" position.



CAUTION: The trip lock pin must be removed for all operations except slow speed dirt or gravel movement operations.

If an obstruction is hit with the trip lock pin in place, a sudden jolt may occur causing loss of control or upset.

ASSEMBLY

Attach the mounting bracket to the blade with the pivot bolt and lock nut. Insert the angle locking pin through the mounting bracket and blade adapter.

NOTE: Tighten the lock nut sufficiently to minimize clearance between the mounting bracket and the blade angling plate. Do not overtighten however, as this will make it difficult to angle the blade.

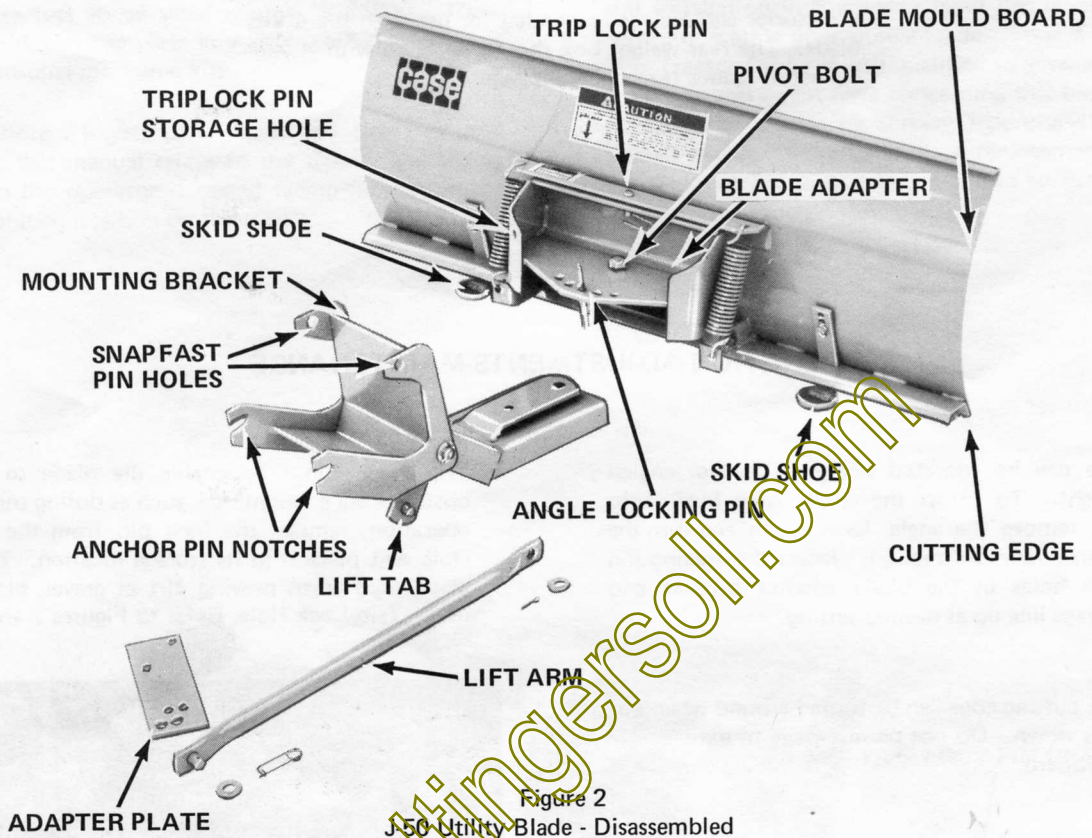


Figure 2
J-50 Utility Blade - Disassembled

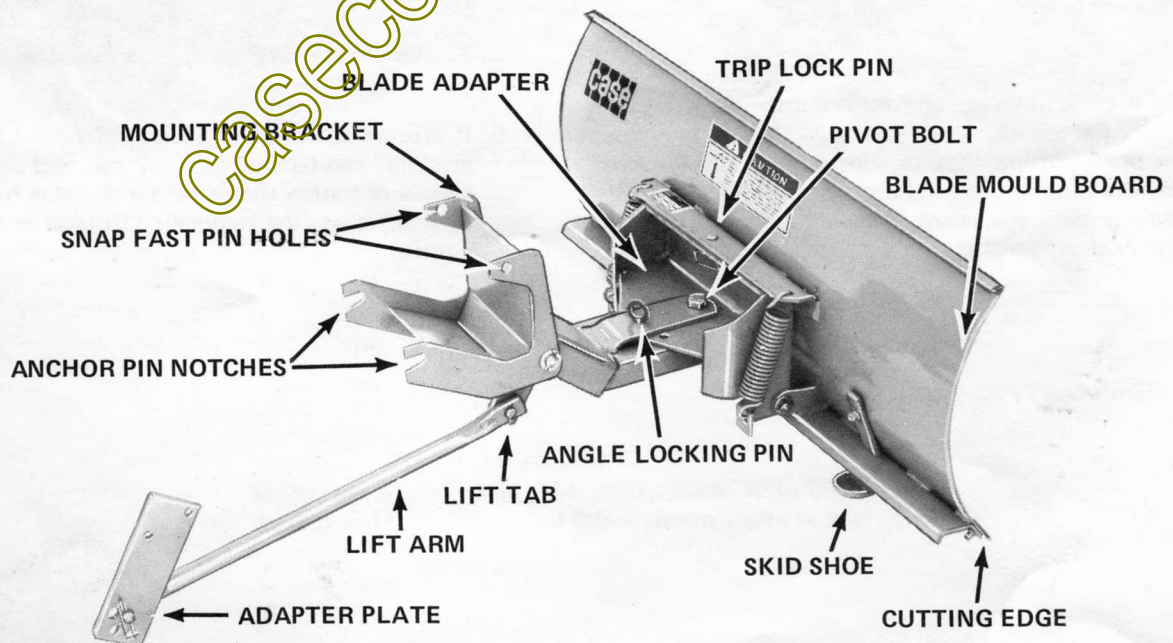


Figure 3
J-50 Utility Blade - Assembled

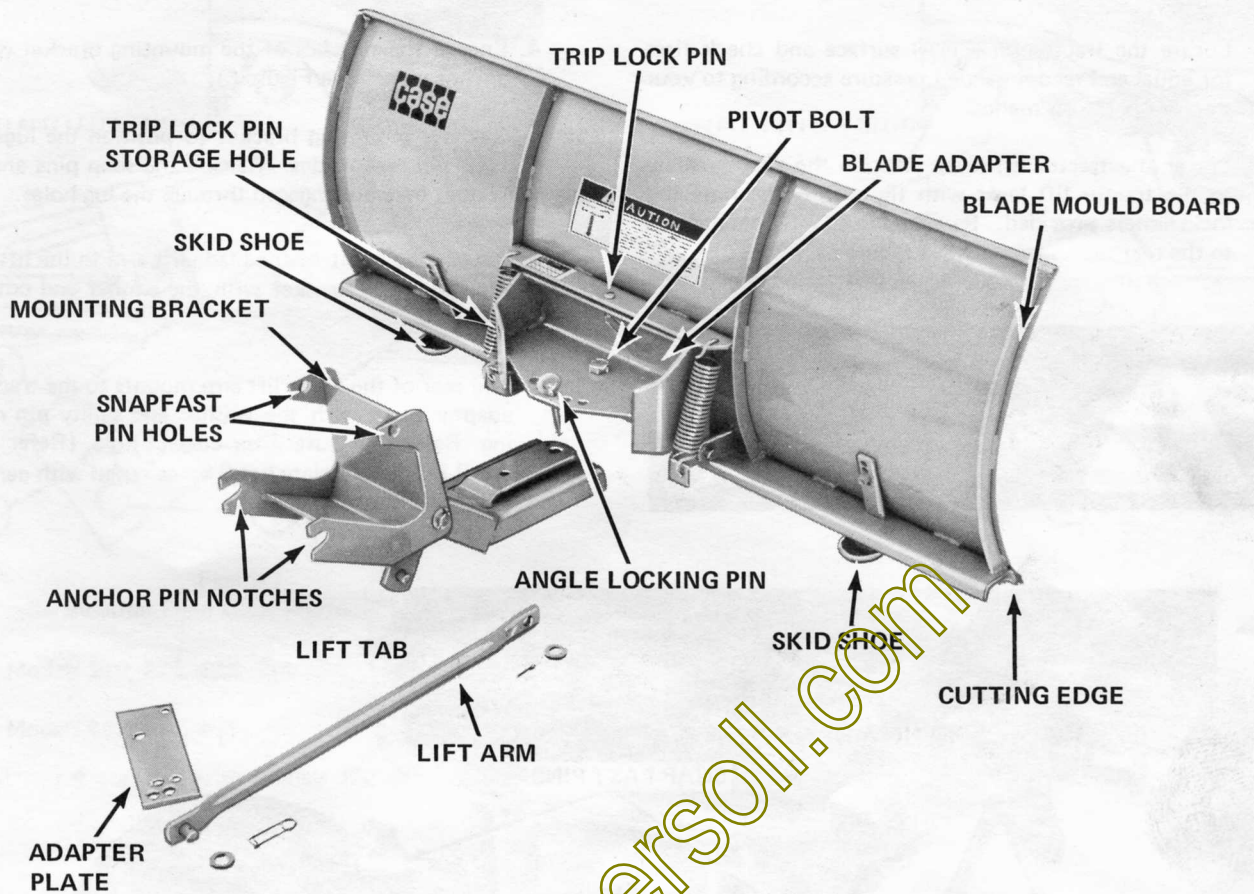


Figure 4
J-54 Utility Blade - Disassembled

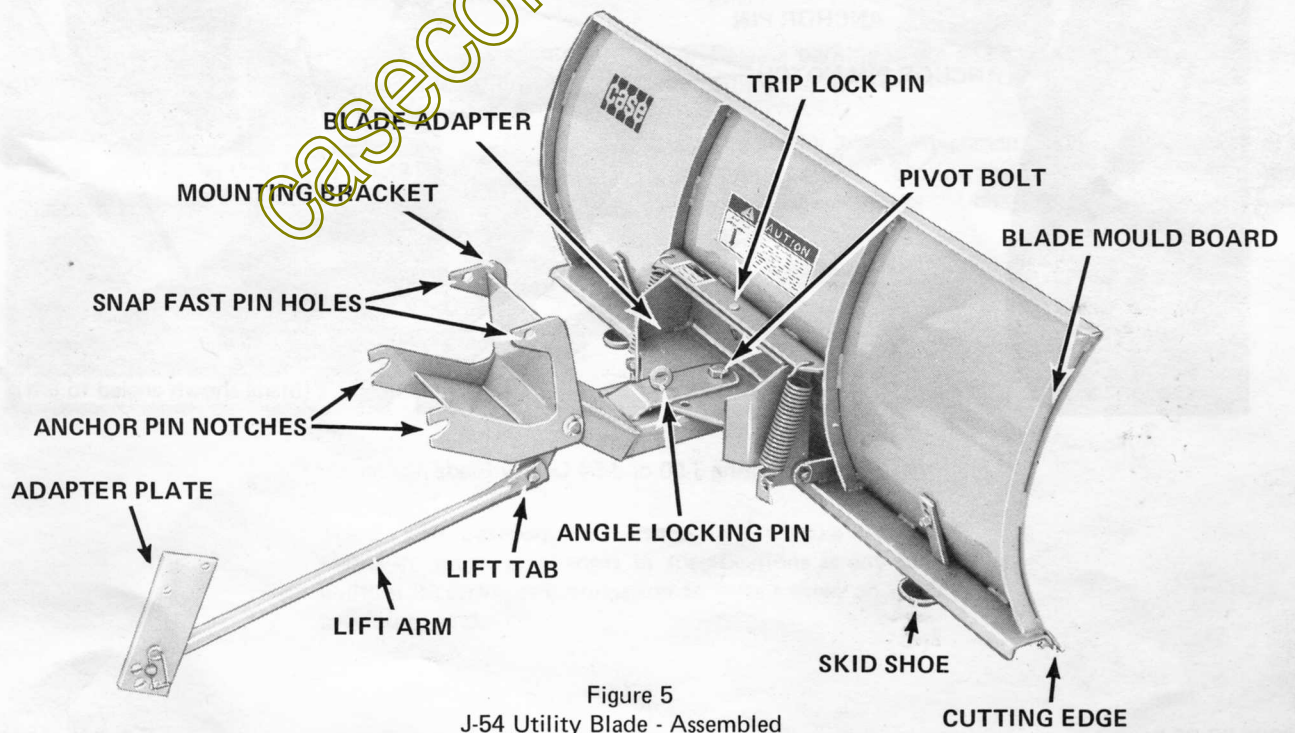


Figure 5
J-54 Utility Blade - Assembled

INSTALLATION

The following installation procedure is the same for both Model J-50 and Model J-54 whether the tractor is equipped with hydraulic or mechanical lift.

1. Locate the tractor on a level surface and check tires for equal and recommended pressure according to your tractor operator's manual.
2. Lower the tractor lift lever. Attach the adapter plate to the tractor lift lever with the two bolts, nuts and lockwashers provided. Be sure the adapter plate slants to the rear of the tractor (See Figure 6).



CAUTION: Insert the trip lock pin to prevent the blade from partially tripping and causing injury during removal and installation.

3. Roll the tractor into position over the mounting bracket and lock the brake. Lock snap fast pins in open position.
4. Engage the notches of the mounting bracket with the anchor pins. (See Figure 6).
5. Lift the mounting bracket to position the lugs in the snap pin receptacles. Release the snap pins and make certain they are engaged through the lug holes.
6. Attach the front of the blade lift arm to the lift tab on the mounting bracket with the washer and cotter pin provided.
7. The rear of the blade lift arm mounts to the tractor lift adapter plate with the washer and safety pin remaining. Refer to Figure 7 for correct hole. (Refer to Figure 8 if adapter plate has 2 holes - used with early production). Release the brake.

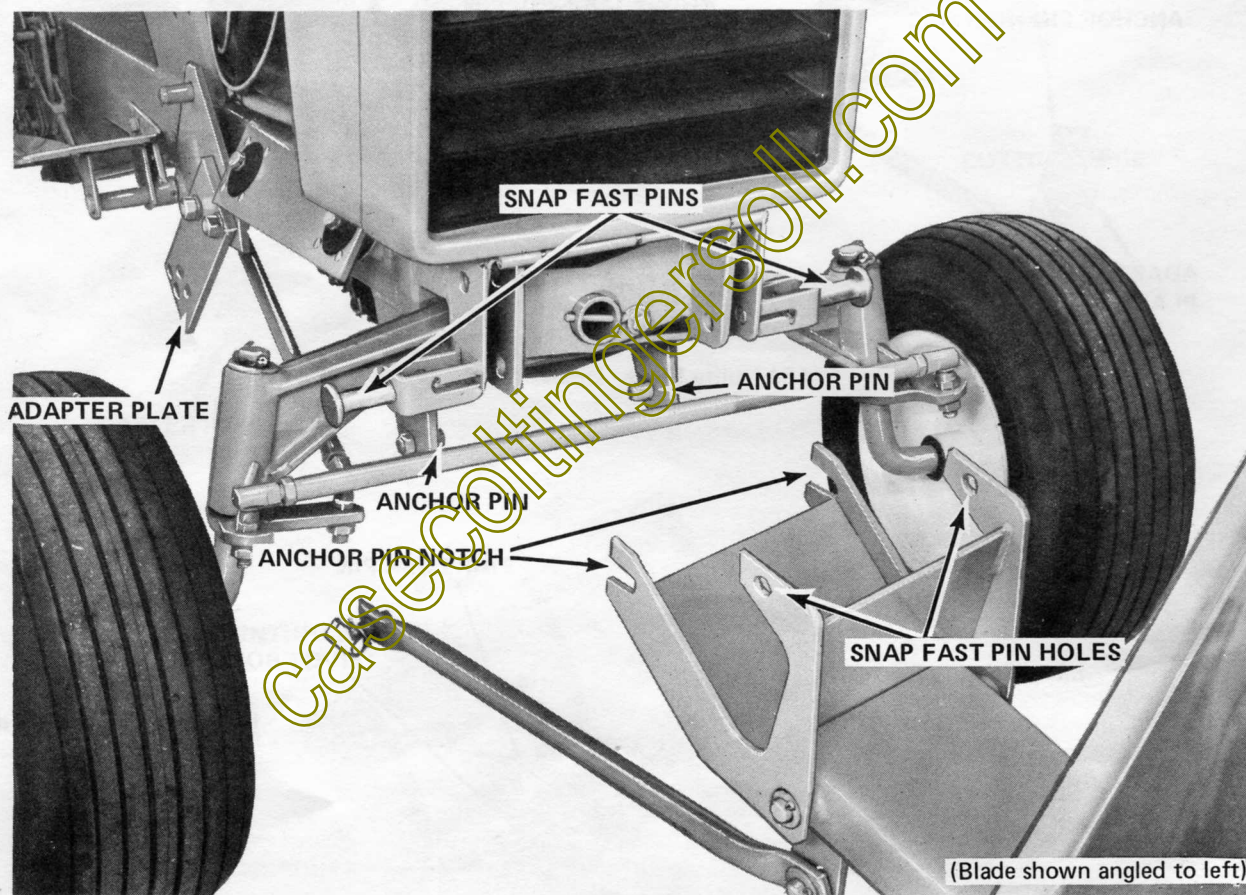


Figure 6
Mounting J-50 or J-54 Utility Blade

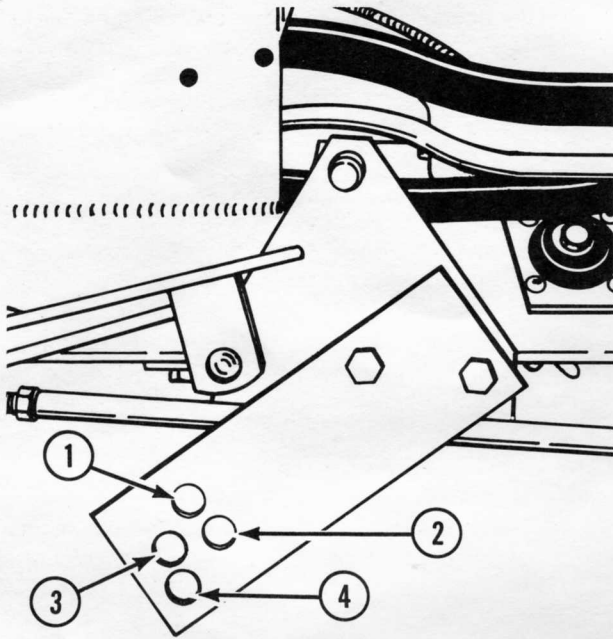


Figure 7
Adapter Plate (Late Production)

1. For Models 210, 220, 222, 224
2. For Models 442, 444, 446

Holes 3 and 4 are used with Models J22 and J24 Sleeve Hitch.

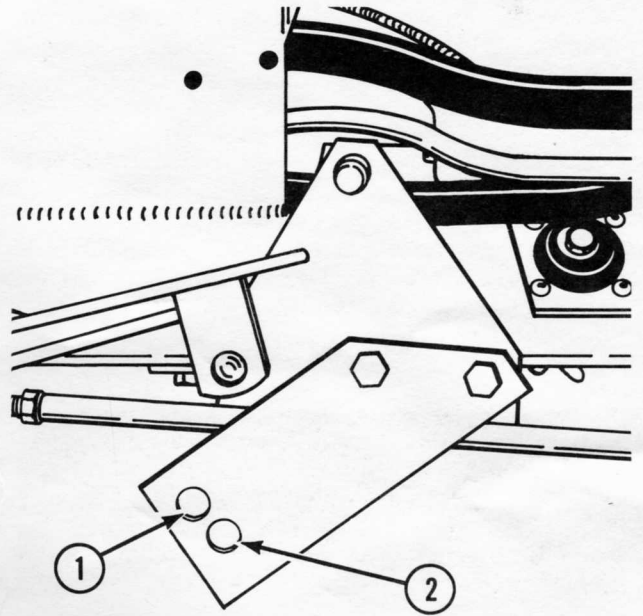


Figure 8
Adapter Plate (Early Production)

1. For Models 210, 220, 222, 224
2. For Models 442, 444, 446

REMOVAL

1. Locate the tractor on a level surface and set the parking brake.
2. Lower the blade to ground level and disconnect adapter plate from the tractor lift lever. The blade lift arm can then be placed on the ground with the adapter plate still attached.
3. Release the snap fast pins and rock in open position.
4. Slip mounting bracket from snap fast pins and anchor pins.
5. Release parking brake and back tractor away from the utility blade.
6. The utility blade attachment can now be stored as a complete unit. Storing the attachment as a complete assembly will reduce the chance of accidental parts loss.

The J I Case Company reserves the right to make improvements in design or changes in specifications at any time without incurring any obligation to install them on units previously sold.

casecoltingersoll.com

Printed in U.S.A.