

INSTALLATION INSTRUCTIONS

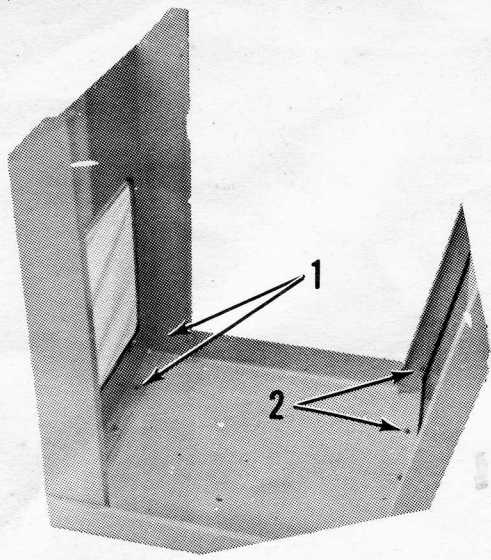
for
cab no. C19528 - low profile (220 and 222)
and
cab no. C19529 - high profile (444 and 442)

cab no. C19528 for
low profile tractor
(220 and 222)

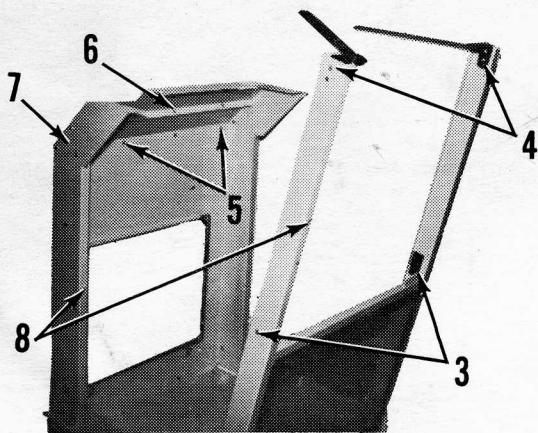


cab no. C19529 for
high profile tractor
(444 and 442)



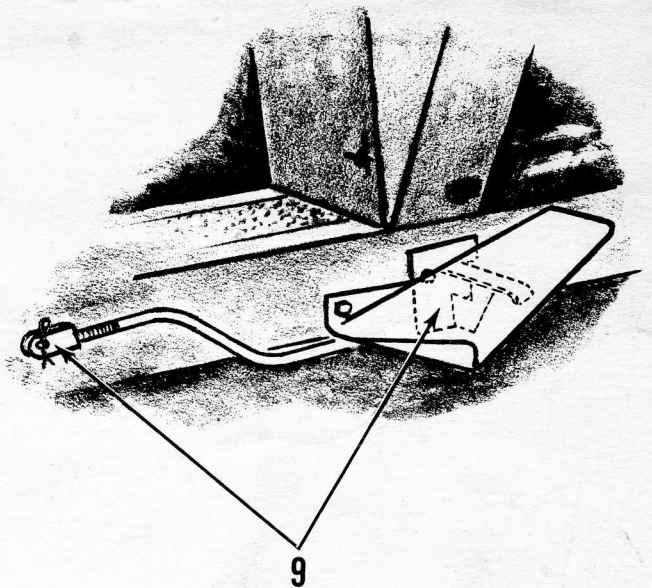


1. Bolt rear panel to roof using 1/4 x 3/4 hex head bolts, flat washers, lockwashers and nuts. Square rear panel with roof and fully tighten. (Flat washers must be placed on both sides of all 1/4 fasteners.)
2. Bolt front panel to roof using 1/4 x 3/4 hex head bolts, flat washers, lockwashers and nuts. (Hand tighten.)

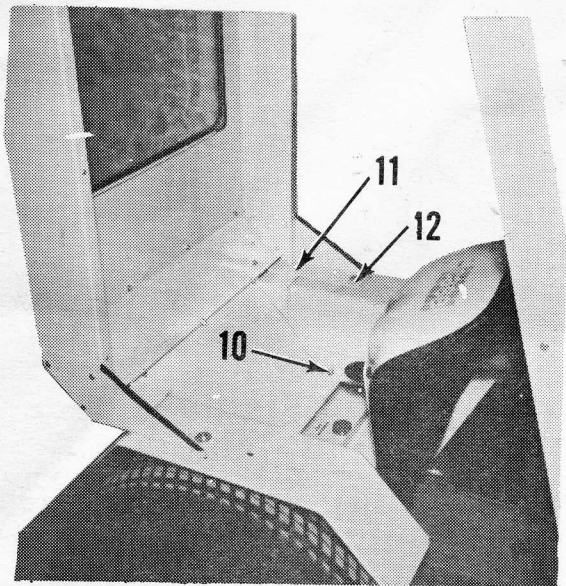


3. Position door catches with slot toward rear. Bolt in place using 1/4 x 3/4 hex head bolts, flat washers, lockwashers and nuts. (Slot is for adjustment.)
4. Bolt front mounts to front panel using 1/4 x 1 hex head bolts, lockwashers, flat washers and nuts.

5. Bolt lower rear panel to rear panel using 1/4 x 3/4 hex head bolts, lockwashers, flat washers and nuts. (Use only the four holes across the back flange.)
6. Bolt center rear mount to lower rear panel using 1/4 x 3/4 hex head bolts, lockwashers, flat washers and nuts.
7. Bolt rear mounts to rear panel and lower rear panel using 1/4 x 3/4 hex head bolts, lockwashers, flat washers and nuts.
8. Insert 3/16 x 3/4 slotted screws into front edges of front and rear panels, fasten into position using 3/16 nuts on inside of flange.



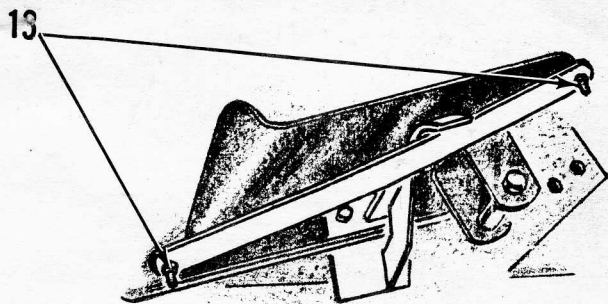
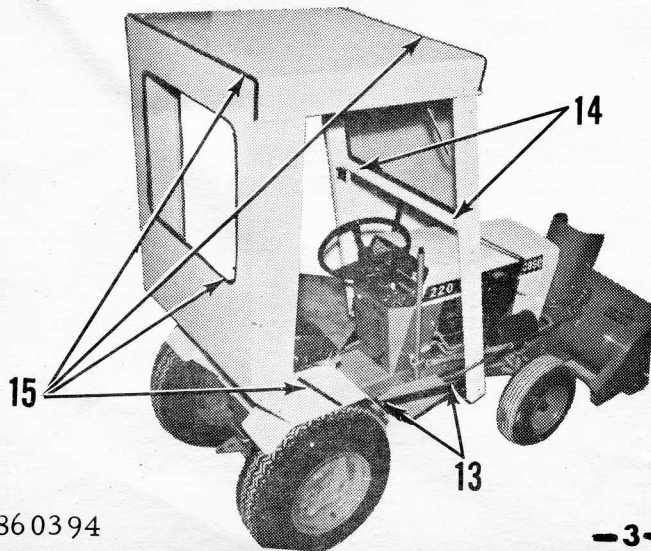
9. Remove foot rest and disconnect brake linkage at rear by removing cotter pin. Install foot rest braces using existing bolts (on right hand side foot rest brace to slide over brake linkage). Reinstall foot rest and reconnect brake linkage.



10. Remove 5/16 bolts from tractor at rear next to the fender. Place cab on tractor positioning slots in center rear mount over holes where the bolts were removed. Replace bolts and fully tighten.

11. (Applies to 444 & 442 units only.) Bolt rear fillers into position under rear mounts using 1/4 x 3/4 hex head bolts, lockwashers and nuts. (Bolt heads pointing downward.)

12. Push unit forward or back until rear mounts sit flush on fenders. Back drill 9/32 (.281) diameter hole into fenders through front hole in mounts. Bolt mounts to fenders using 1/4 x 3/4 hex head bolts, large flat washers (top & bottom), lockwashers and nuts.

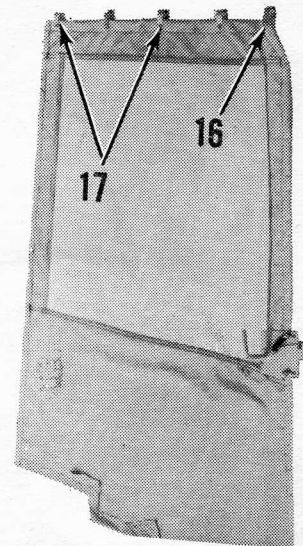


DETAIL OF FRONT MOUNTING

13. Bolt front mounts to foot rests with front mount straps under foot rests and motor cover supports positioned over front hole in mounts using 5/16 x 1-1/2 hex head bolts, lockwashers and nuts.

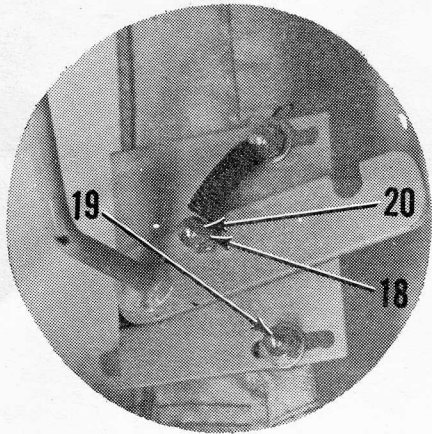
14. Insert 1/4 x 1 hex head bolts into front panel, fasten into position using 1/4 lockwashers and nuts. (On 220 & 222 units the top of the motor cover supports are held in place using these bolts.)

15. Cut molding to length and glue to front and back edges of roof, edges of rear mounts and around rear window opening (seam should be at bottom of window opening).

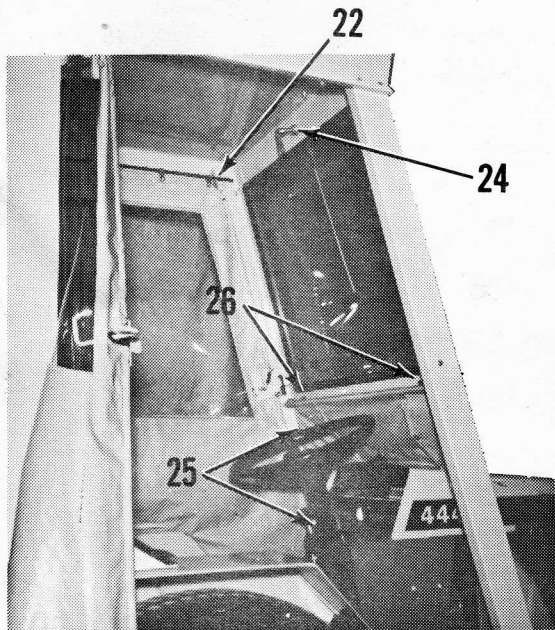


16. Insert bent strap into front hem of door. Attach clip using 3/16 x 1/2 slotted screw and nut. (Bulge in clip and head of screw toward outside of door.) Bolt through strap and hole in fabric. (Inside view of L.H. door.)

17. Attach remainder of clips to top of door using 3/16 x 1/2 slotted screws and nuts.



18. Insert 3/16 x 1/2 slotted screw into arm of latch through hole in plate and fasten into position using 3/16 nut.
19. Attach latch to door using 3/16 x 1/2 slotted screws, flat washers and acorn nuts with spring in position. (Center latch on door, slots are for adjustment.)
20. Position spring over previously attached 3/16 x 1/2 slotted screw and fasten using 3/16 acorn nut.



21. *Insert long strap into rear hem of door.

22. Thread door rod through clips on door and hole at top of rear panel. Then feed through hole at top of front panel and insert cotter pin into door rod.

23. *Position strap in rear hem of door over 3/16 x 3/4 slotted screws previously installed in rear panel. Fasten into position with 3/16 wingnuts.

24. Install windshield wiper with three 3/8 washers on inside as spacers. (See page 5 for detail of wiper installation.)

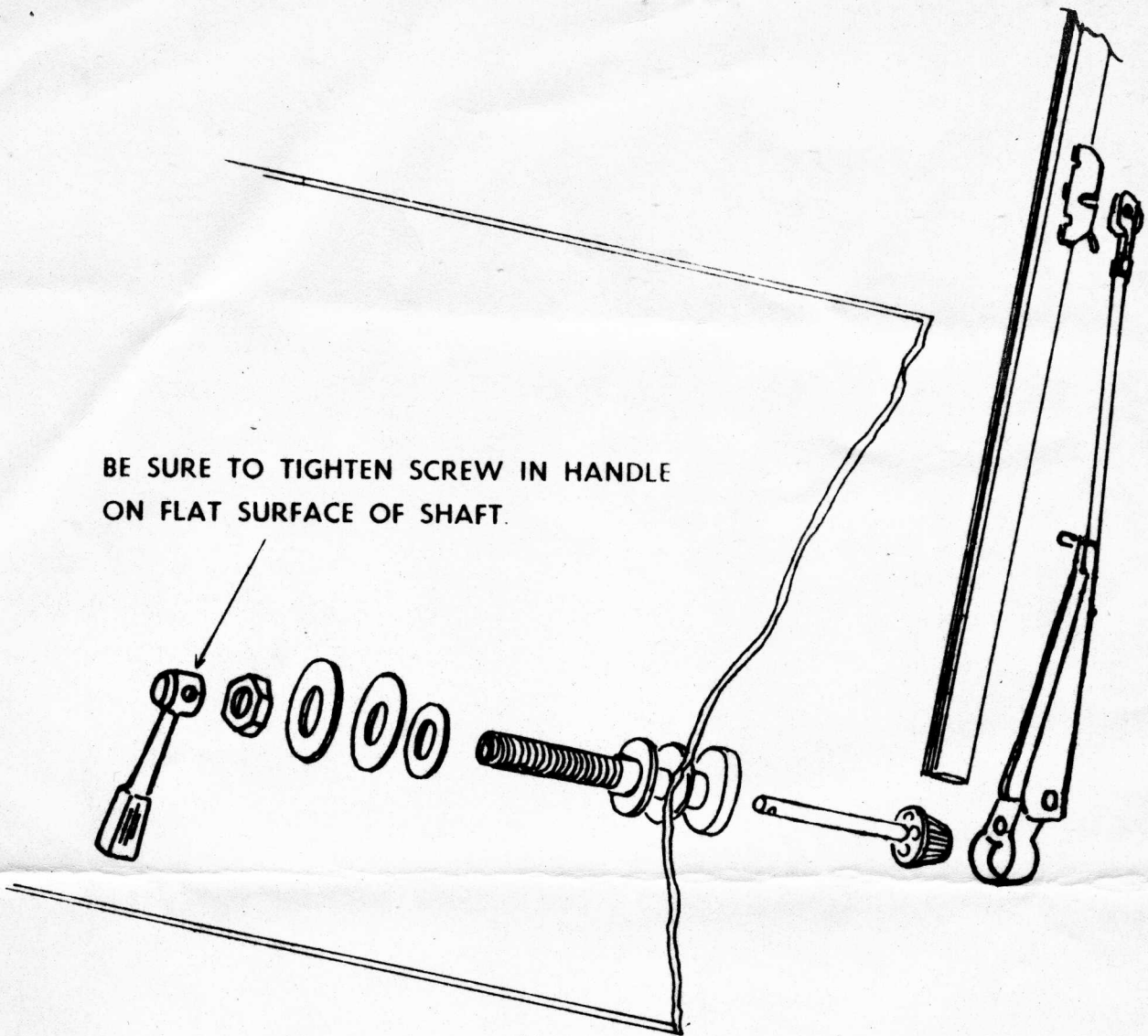
25. Position motor cover over motor cover supports. Insert straps (with three holes) into side hems of motor cover and position over previously installed 3/16 x 3/4 screws. Fasten using 3/16 wingnuts.

26. Insert top strap into top hem of motor cover. Position strap over 1/4 x 1 bolts previously installed and fasten using 1/4 wingnuts.

27. *Tie motor cover under frame. NOTE: tighten all bolts prior to operation of unit and periodically thereafter.

* not shown on picture

BE SURE TO TIGHTEN SCREW IN HANDLE
ON FLAT SURFACE OF SHAFT.



TO ADJUST

FOR CORRECT LENGTH—

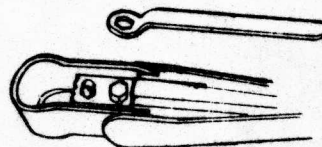
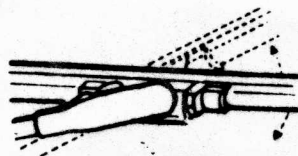
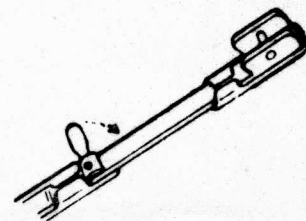
With EXTENSION LOCK open, adjust arm to same length as old arm. Close EXTENSION LOCK.

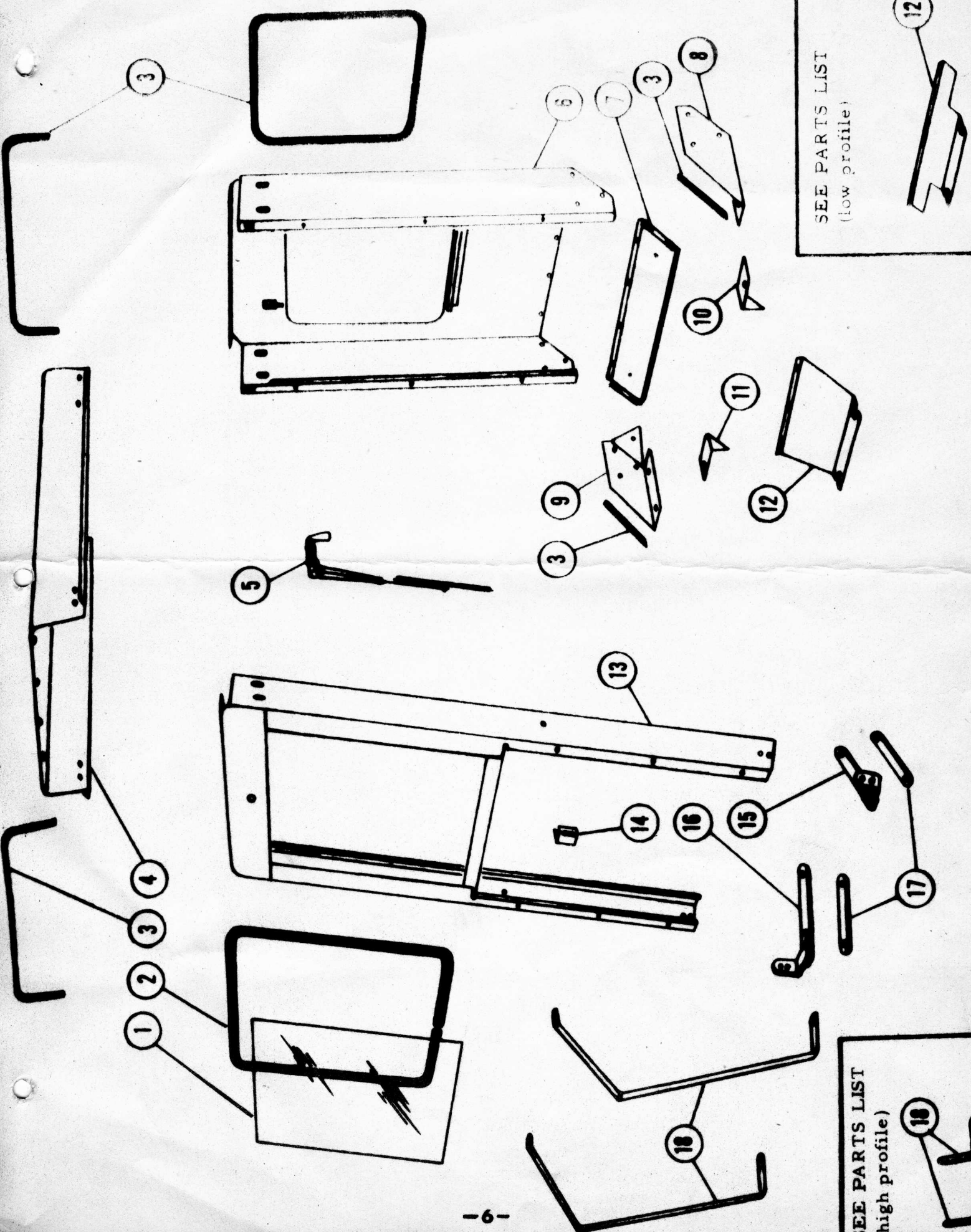
FOR CORRECT BLADE ANGLE—

Turn blade right or left until parallel with windshield frame.

FOR CORRECT PRESSURE—

Turn PRESSURE ADJUSTMENT NUT (underside of arm) clockwise to increase pressure, counterclockwise to decrease pressure.

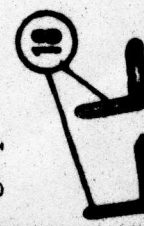


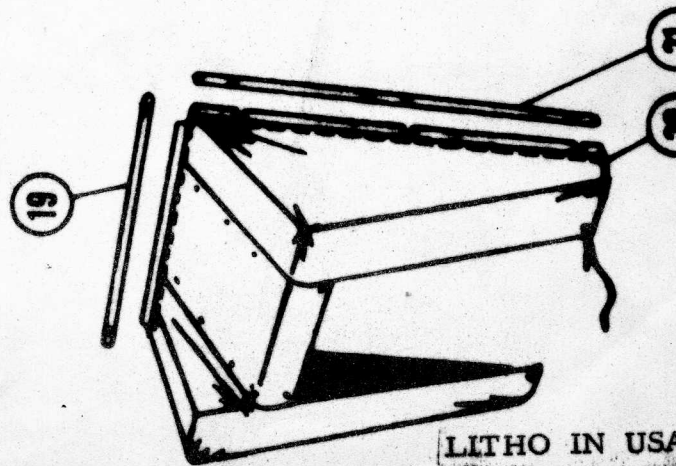
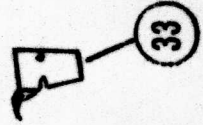
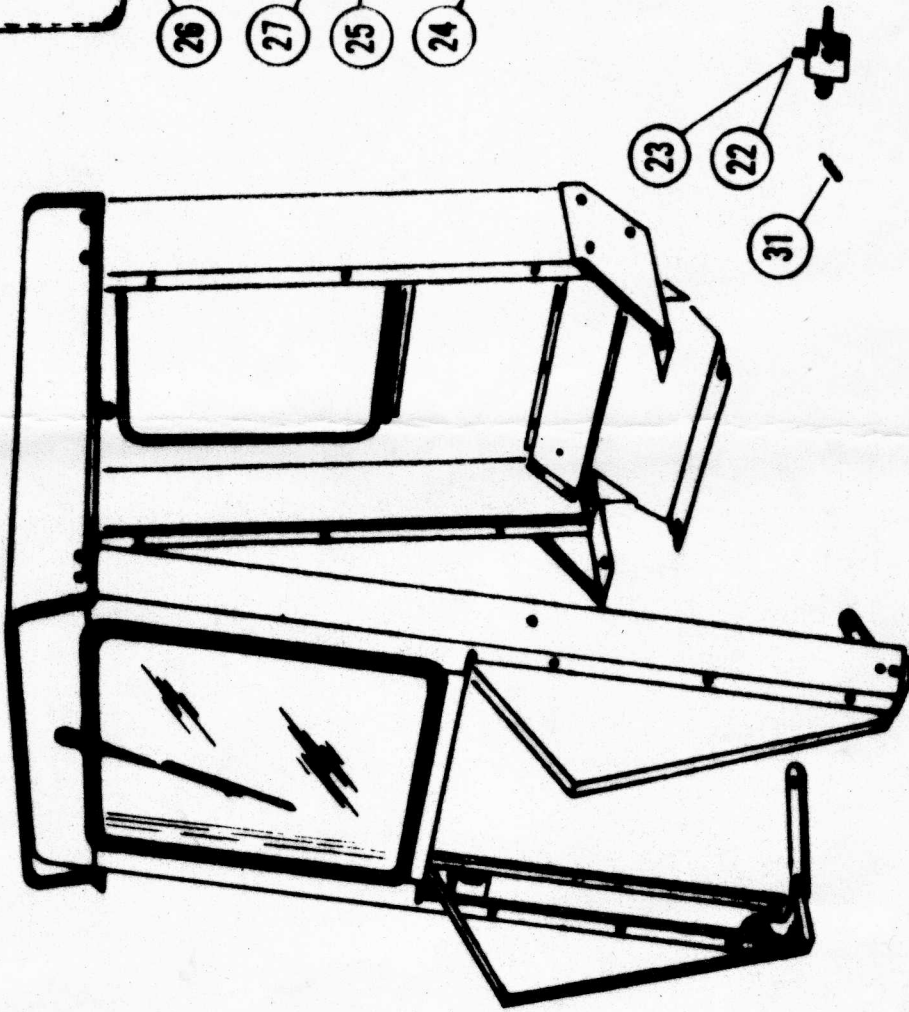
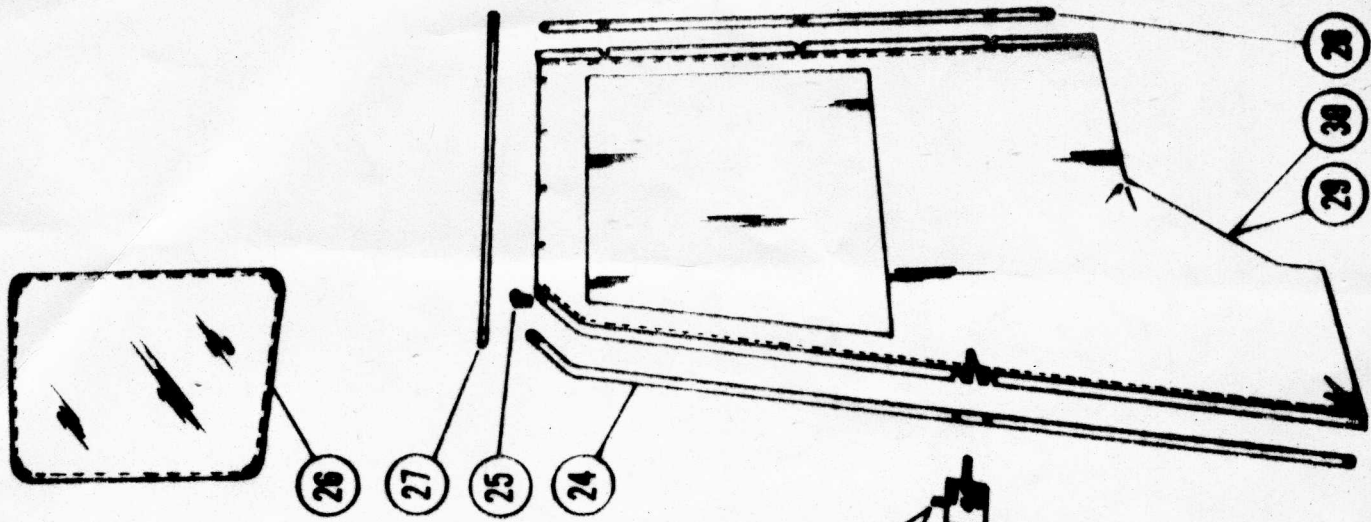


SEE PARTS LIST
(low profile)



SEE PARTS LIST
(high profile)





PART NUMBER

ITEM NO.	DESCRIPTION	QTY. USED	PART NUMBER	
			High Profile Model No. C 19529	Low Profile Model No. C 19528
1.	Windshield Glass	1	300467-96	300466-96
2.	Glass Molding	1	70200 - 8.50 ft.	70200 - 8.25 ft.
3.	Vinyl Channel	1	60813 - 15.50 ft.	60813 - 16.00 ft.
4.	Roof	1	103731-31	103731-31
5.	Wiper	1	75906	75906
6.	Rear Panel	1	201712-31	202527-31
7.	Lower Rear Panel	1	103137-31	103137-31
8.	Rear Mount L.H.	1	103061-31	* 103145-31
9.	Rear Mount R.H.	1	103062-31	* 103146-31
10.	Rear Filler L.H.	1	103143-31	Not Used
11.	Rear Filler R.H.	1	103144-31	Not Used
12.	Center Rear Mount	1	103141-31	103142-31
13.	Front Panel	1	* 201907-31	201905-31
14.	Door Catch	2	103081-01	103081-01
15.	Front Mount L.H.	1	201709-01	201709-01
16.	Front Mount R.H.	1	201710-01	201710-01
17.	Front Mount Strap	2	103136-01	103136-01
18.	Motor Cover Support	2	103733-01	103730-01
19.	Motor Cover Strap Top	1	103839-01	103839-01
20.	Motor Cover	1	* 201908-11	201714-11
21.	Motor Cover Strap Side	2	103744-01	103743-01
22.	Door Latch L.H.	1	201689-31	201689-31
23.	Door Latch R.H.	1	201690-31	201690-31
24.	Door Stiffener	2	103073-01	103745-01
25.	Clip	10	13030	13030
26.	Rear Window	1	201566-00	201566-00
27.	Door Rod	2	103732-01	103732-01
28.	Rear Door Strap	2	103140-01	103072-01
29.	Door L.H.	1	201715-11	201719-11
30.	Door R.H.	1	201716-11	201720-11
31.	Spring	2	900072	900072
32.	Foot Rest Brake L.H.	1	202507-01	202507-01
33.	Foot Rest Brace R.H.	1	202508-01	202508-01

* Not Pictorially Accurate