



**Models J1 & J2 Cabs
For Compact Tractors**

Parts Catalog 1326

casecoltingersoll.com

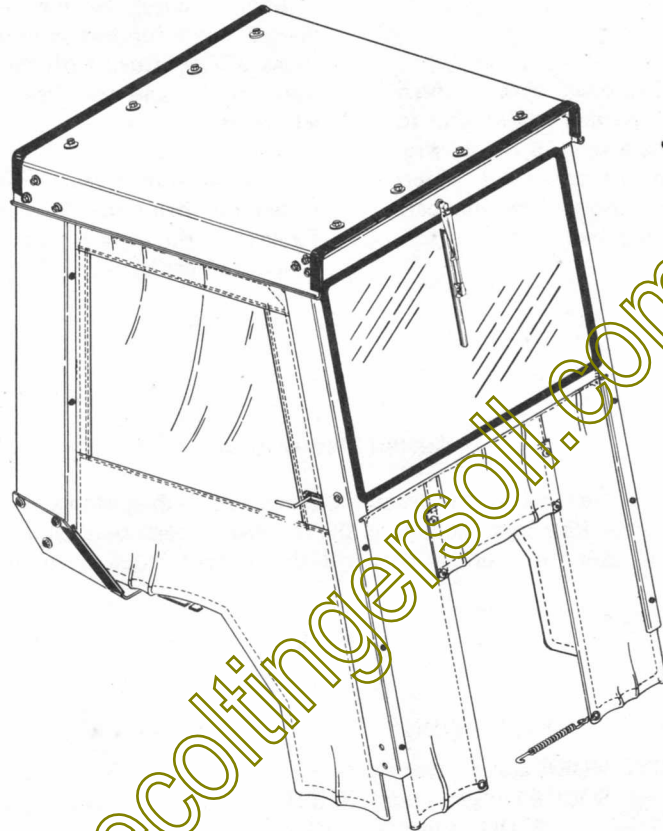
JI Case
A Tenneco Company



MODELS J-1 AND J-2 CABS FOR ALL 200 THRU 400 SERIES COMPACT TRACTORS

Parts Catalog No. 1326

Print Shop 2500 12-75 PRINTED IN U.S.A.



MODEL DESIGNATION	TRACTOR APPLICATION						
	210	220	222	224	442	444	446
J-1	X	X	X	X			
J-2					X	X	X

GENERAL INFORMATION

Indexes

This parts Catalog is arranged for easy identification of Genuine CASE Service Parts. An alphabetical index is provided at the front of this Catalog to locate the major groups or assemblies. A numerical index at the rear of the Catalog gives the part numbers and the pages on which they are described.

Illustrations

All parts are illustrated in "Exploded Views" which show the individual parts in their normal relationship to each other. Reference numbers are used in the illustrations. These numbers correspond to those in the "Reference Number" column and are followed by the part number, description and quantity required.

Orders

Orders should plainly specify correct part number, full description, quantity required, machine model and engine model, machine and engine serial numbers, method of shipment and shipping address.

Changes

When changes to the machine make it necessary, revised pages for this book will be issued. The revised pages will be issued with the same page number as those they replace and the "issue" number and date will be advanced.

It is imperative that revised Parts Book pages be inserted into their respective Parts Books as soon as received. Failure to do so will lead to confusion and defeat the purpose of the book.

Indented Description

Indented parts in the descriptive list are a part of the preceding assembly or sub-assembly.

The quantity shown in the "Number Required" column is the number of parts used on a machine except where parts are indented in descriptive list. In this case the quantity shown is the number required for the preceding assembly or sub-assembly.

REF.	PART NO.	DESCRIPTION	REQ'D
	A 55159	CYLINDER ASSY - rear steering	1
28	A 56208	SOCKET ASSY - rear cylinder	1
29	A 55956	PLUG - adjusting, socket assy	1
30	A 55957	SEAT - socket ball	2
31	A 56210	SPRING - socket	1
32	A 56209	SEAT - socket spring.	1
33	G 45175	CLAMP ASSY - socket assy	1
	16- 836	BOLT - 1/2" x 2-1/4" N.F. hex.	1
34	132- 104	PIN - cotter, 3/16" x 3".	1
35	A 55889	STUD - ball, socket & cylinder	2
36	13- 410	BOLT - 1/4" x 5/8" N.C., hex.	4
37	92- 4	LOCKWASHER - 1/4" SAE.	4

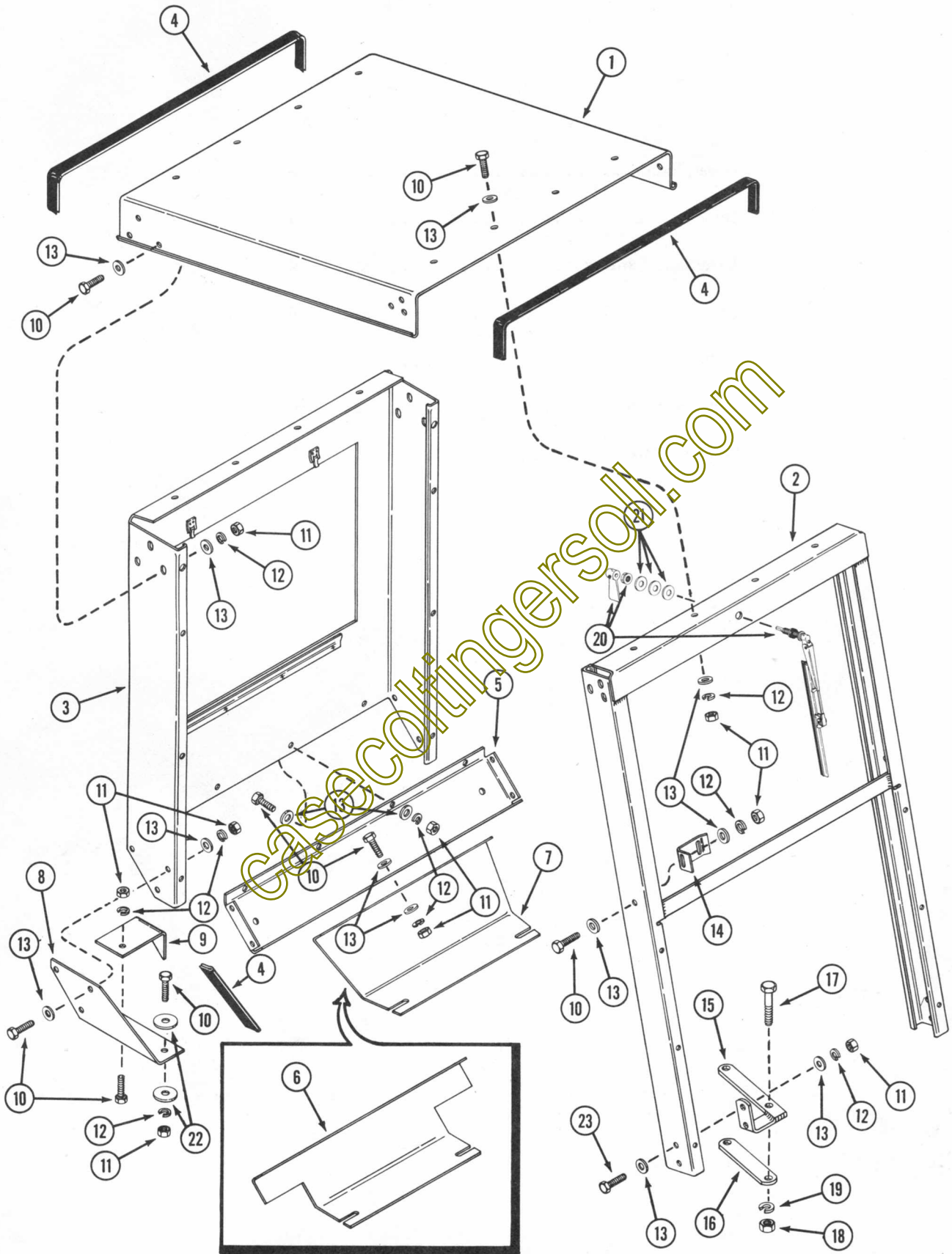
Terms "Right Hand" and "Left Hand"

"Right Hand" and "Left Hand" sides of this machine are determined by standing at the rear of the unit and facing in the direction of forward travel.

ALPHABETICAL INDEX

	Page
Cover, Motor	9
Door	7
Extension, Exhaust	9
Frame	5
Roof	5
Window, Front	9
Window, Rear	7

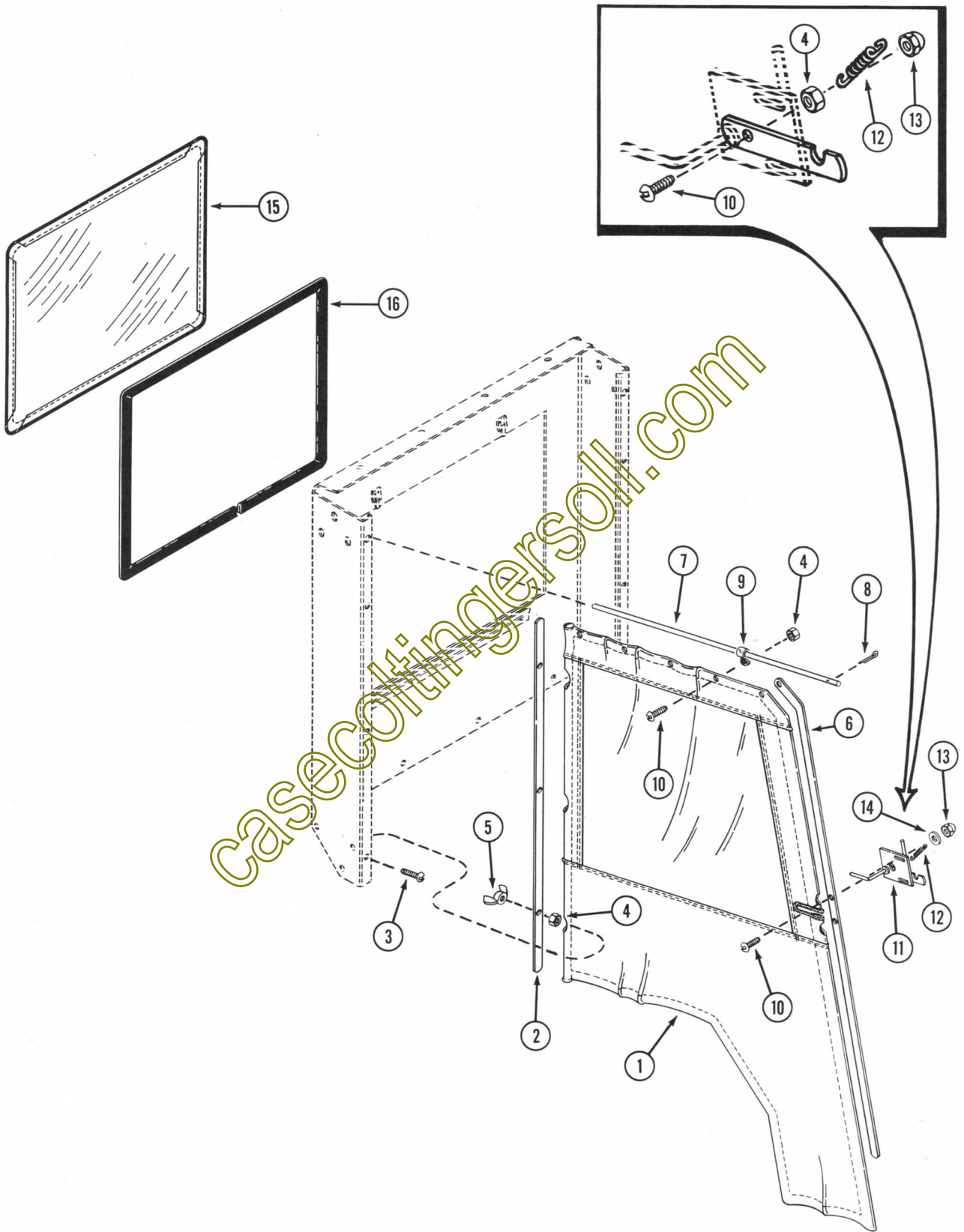
casecoltingersoll.com



ROOF, FRONT AND REAR FRAME

REF.	PART NUMBER	DESCRIPTION	REQ'D
1	C 19568	ROOF	1
2	C 19603	FRAME - front (J-1)	1
2	C 19577	FRAME - front (J-2) shown	1
3	C 19599	FRAME - rear (J-1)	1
3	C 19570	FRAME - rear (J-2) shown	1
4	C 19598	MOLDING - channel, vinyl (16' roll)	1
5	C 19571	PANEL - rear, lower	1
6	C 19602	MOUNT - rear, center (J-1)	1
7	C 19576	MOUNT - rear, center (J-2)	1
8	C 19600	MOUNT - rear, L.H. (J-1)	1
8	C 19572	MOUNT - rear, L.H. (J-2)	1
8	C 19601	MOUNT - rear, R.H. (J-1)	1
8	C 19573	MOUNT - rear, R.H. (J-2)	1
9	C 19574	FILLER - rear, L.H. (J-2)	1
9	C 19575	FILLER - rear, R.H. (J-2)	1
10	113- 3	BOLT - 1/4" - 20 x 3/4" hex head	41
11	129- 101	NUT - 1/4" - 20 hex	45
12	192- 19	LOCKWASHER - 1/4"	45
13	195- 102	WASHER - 1/4"	82
14	C 19578	CATCH - latch, door	2
15	C 19579	MOUNT - front L.H.	1
15	C 19580	MOUNT - front R.H.	1
16	C 19581	STRAP - mount, front	2
17	113- 122	BOLT - 5/16" - 18 x 1 1/2" hex head	4
18	129- 102	NUT - 5/16" - 18 hex	4
19	192- 20	LOCKWASHER - 5/16"	4
20	C 19569	WIPER - windshield	1
21	195- 104	WASHER - 3/4"	3
22	195- 2014	WASHER - 1/4" x 1-1/4"	4
23	113- 4	BOLT - 1/4" - 20 x 1"	4

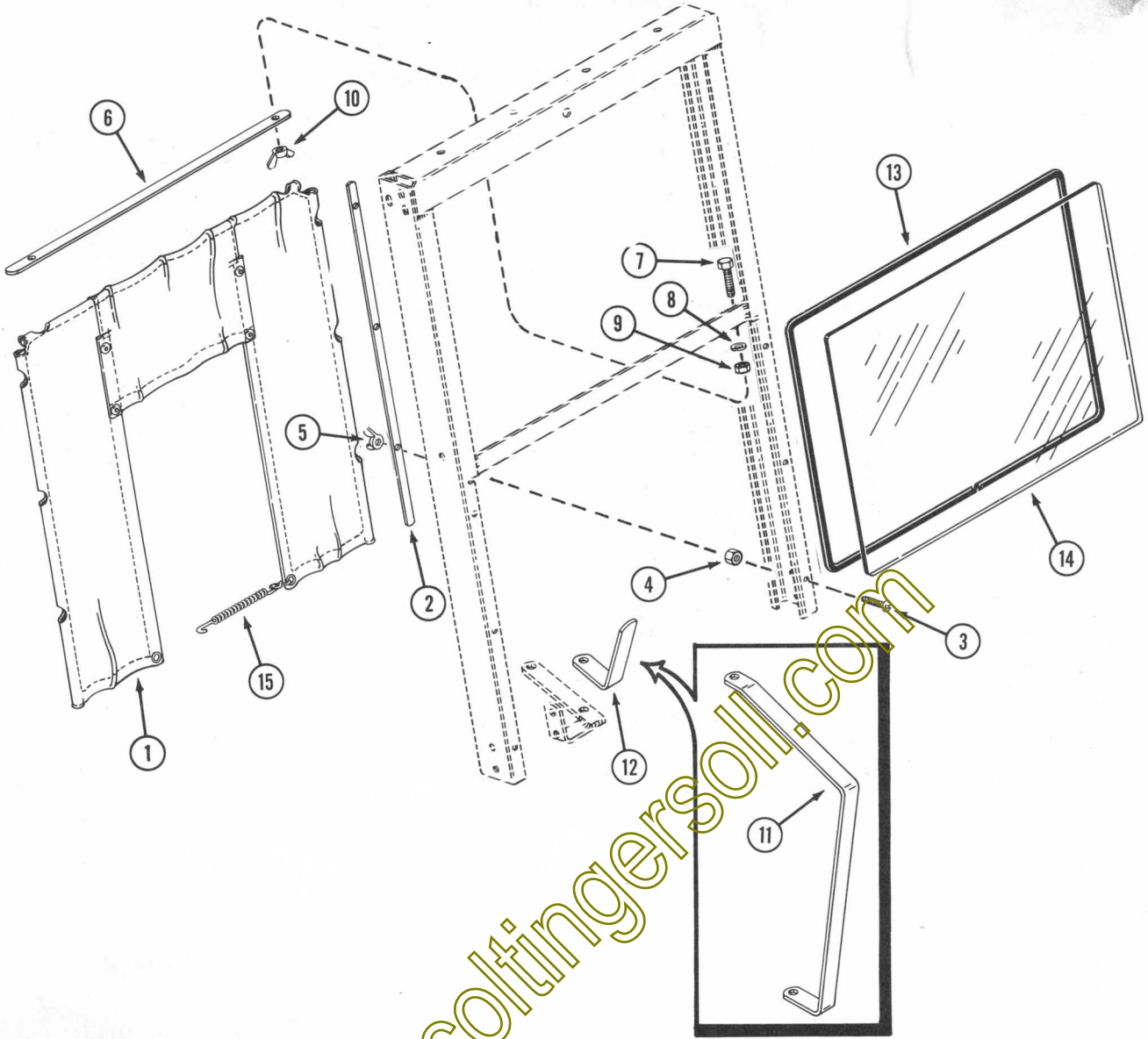
casecollectors.com



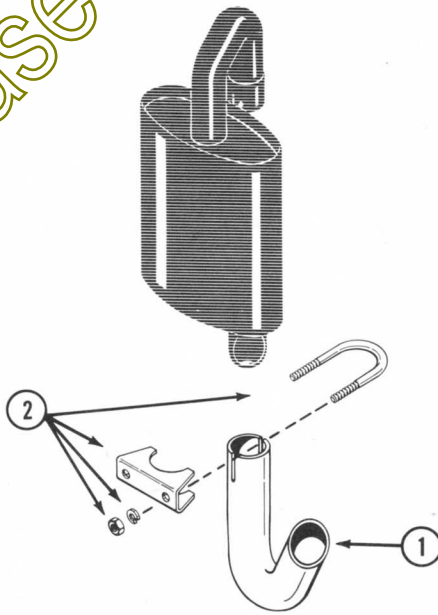
DOOR AND REAR WINDOW

REF.	PART NUMBER	DESCRIPTION	REQ'D
1	C 19609	DOOR - L.H. (J-1)	1
1	C 19593	DOOR - L.H. (J-2)	1
1	C 19610	DOOR - R.H. (J-1)	1
1	C 19594	DOOR - R.H. (J-2)	1
2	C 19608	STRAP - door support, rear (J-1).....	2
2	C 19592	STRAP - door support, rear (J-2).....	2
3	182- 518	SCREW - #10 - 24 x 3/4"	6
4	129- 17	NUT - #10 - 24 hex	18
5	129- 402	WING NUT - #10 - 24	6
6	C 19607	STRAP - door support, front (J-1).....	2
6	C 19588	STRAP - door support, front (J-2).....	2
7	C 19591	ROD - door.....	2
8	132- 321	PIN - cotter - 3/32" x 1"	2
9	C 19589	CLIP - door slide	10
10	182- 516	SCREW - #10 - 24 x 1/2"	16
11	C 19586	LATCH - door L.H.	1
11	C 19587	LATCH - door R.H.	1
12	C 19595	SPRING - latch, door	2
13	129- 642	NUT - acorn #10 - 24	6
14	195- 516	WASHER - 3/16"	4
15	C 19590	WINDOW - rear, plastic	1
16	C 19598	MOLDING - channel, vinyl (16' roll)	1

casecoltingersoil.com



casecoltingersoil.com



MOTOR COVER AND FRONT WINDOW

REF.	PART NUMBER	DESCRIPTION	REQ'D
1	C 19605	COVER - motor (J-1)	1
1	C 19584	COVER - motor (J-2) shown	1
2	C 19606	STRAP - mounting, motor cover (J-1) side	2
2	C 19585	STRAP - mounting, motor cover (J-2) side	2
3	182- 518	SCREW - #10 - 24 x 3/4"	6
4	129- 17	NUT - #10 - 24 hex	6
5	129- 402	WING NUT - #10 - 24	6
6	C 19583	STRAP - mounting, motor cover (top)	1
7	113- 4	BOLT - 1/4" - 20 x 1" hex head	2
8	192- 19	LOCKWASHER - 1/4"	2
9	129- 101	NUT - 1/4" - 20 hex	2
10	129- 409	WING NUT - 1/4" - 20	2
11	C 19604	SUPPORT - cover, motor (J-1)	2
12	C 19582	SUPPORT - cover, motor (J-2)	2
13	C 19566	MOLDING - rubber, glass seal.	1
14	NSS	GLASS - windshield, tempered 19 - 3/4" x 27 - 3/8" x 7/32" (J-1) Order from local supplier.	1
14	NSS	GLASS - windshield tempered, 22" x 27 - 3/8" x 7/32" (J-2) Order from local supplier.	1
15	32230	SPRING - motor cover hold down	1

EXHAUST EXTENSION (J-2)
(Used on Tractor Model 446 Only)

REF.	PART NUMBER	DESCRIPTION	REQ'D
1	C 22722	PIPE - extension, exhaust	2
2	L 13452	CLAMP ASSEMBLY - pipe, exhaust	2

NUMERICAL INDEX

PART NO.	PAGE NO.	REF. NO.	PART NO.	PAGE NO.	REF. NO.	PART NO.	PAGE NO.	REF. NO.
	32230	9	15	HARDWARE CODE NUMBERS				
C	19566	9	13	113-	3	5	10	
C	19568	5	1	113-	4	5	23	
C	19569	5	20	113-	4	9	7	
C	19570	5	3	113-	122	5	17	
C	19571	5	5	129-	17	7	4	
C	19572	5	8	129-	17	9	4	
C	19573	5	8	129-	101	5	11	
C	19574	5	9	129-	101	9	9	
C	19575	5	9	129-	102	5	18	
C	19576	5	7	129-	402	7	5	
C	19577	5	2	129-	402	9	5	
C	19578	5	14	129-	409	9	10	
C	19579	5	15	129-	642	7	13	
C	19580	5	15	132-	321	7	8	
C	19581	5	16	182-	516	7	10	
C	19582	9	12	182-	518	7	3	
C	19583	9	6	182-	518	9	3	
C	19584	9	1	192-	19	5	12	
C	19585	9	2	192-	19	9	8	
C	19586	7	11	192-	20	5	19	
C	19587	7	11	195-	102	5	13	
C	19588	7	6	195-	104	5	21	
C	19589	7	9	195-	516	7	14	
C	19590	7	15	195-	2014	5	22	
C	19591	7	7					
C	19592	7	2					
C	19593	7	1					
C	19594	7	1					
C	19595	7	12					
C	19598	5	4					
C	19598	7	16					
C	19599	5	3					
C	19600	5	8					
C	19601	5	8					
C	19602	5	6					
C	19603	5	2					
C	19604	9	11					
C	19605	9	1					
C	19606	9	2					
C	19607	7	6					
C	19608	7	7					
C	19609	7	1					
C	19610	7	1					
C	22722	9	1					
L	13452	9	2					

casecoltingersoll.com

casecoltingersoll.com

Printed in U.S.A.