



MODELS J1, J2, K1, K2
CABS
Parts Catalog No. B1326

casecoltingersoll.com

JI Case
A Tenneco Company



This catalog replaces the previous issue A1326, which is obsolete and should be discarded.



MODEL DESIGNATION	TRACTOR APPLICATION						
	210	220	222	224	442	444	446
J-1	X	X	X	X			
K-1*		X	X	X			
J-2, K-2					X	X	X

*use on tractors with hydraulic lift only

J I Case
A Tenneco Company



OPE Division
Technical Publications
119 S. First Street
Winneconne, Wis. 54986

GENERAL INFORMATION

Indexes

This parts Catalog is arranged for easy identification of Genuine CASE Service Parts. An alphabetical index is provided at the front of this Catalog to locate the major groups or assemblies. A numerical index at the rear of the Catalog gives the part numbers and the pages on which they are described.

Illustrations

All parts are illustrated in "Exploded Views" which show the individual parts in their normal relationship to each other. Reference numbers are used in the illustrations. These numbers correspond to those in the "Reference Number" column and are followed by the part number, description and quantity required.

Orders

Orders should plainly specify correct part number, full description, quantity required, machine model and engine model, machine and engine serial numbers, method of shipment and shipping address.

Changes

When changes to the machine make it necessary, revised pages for this book will be issued. The revised pages will be issued with the same page number as those they replace and the "issue" number and date will be advanced.

It is imperative that revised Parts Book pages be inserted into their respective Parts Books as soon as received. Failure to do so will lead to confusion and defeat the purpose of the book.

Indented Description

Indented parts in the descriptive list are a part of the preceding assembly or sub-assembly.

The quantity shown in the "Number Required" column is the number of parts used on a machine except where parts are indented in descriptive list. In this case the quantity shown is the number required for the preceding assembly or sub-assembly.

REF.	PART NO.	DESCRIPTION	REQ'D
	A 55159	CYLINDER ASSY - rear steering	1
28	A 56208	SOCKET ASSY - rear cylinder	1
29	A 55956	PLUG - adjusting, socket assy	1
30	A 55957	SEAT - socket ball	2
31	A 56210	SPRING - socket	1
32	A 56209	SEAT - socket spring.	1
33	G 45175	CLAMP ASSY - socket assy	1
	16- 836	BOLT - 1/2" x 2-1/4" N.F. hex.	1
34	132- 104	PIN - cotter, 3/16" x 3".	1
35	A 55889	STUD - ball, socket & cylinder	2
36	13- 410	BOLT - 1/4" x 5/8" N.C., hex.	4
37	92- 4	LOCKWASHER - 1/4" SAE	4

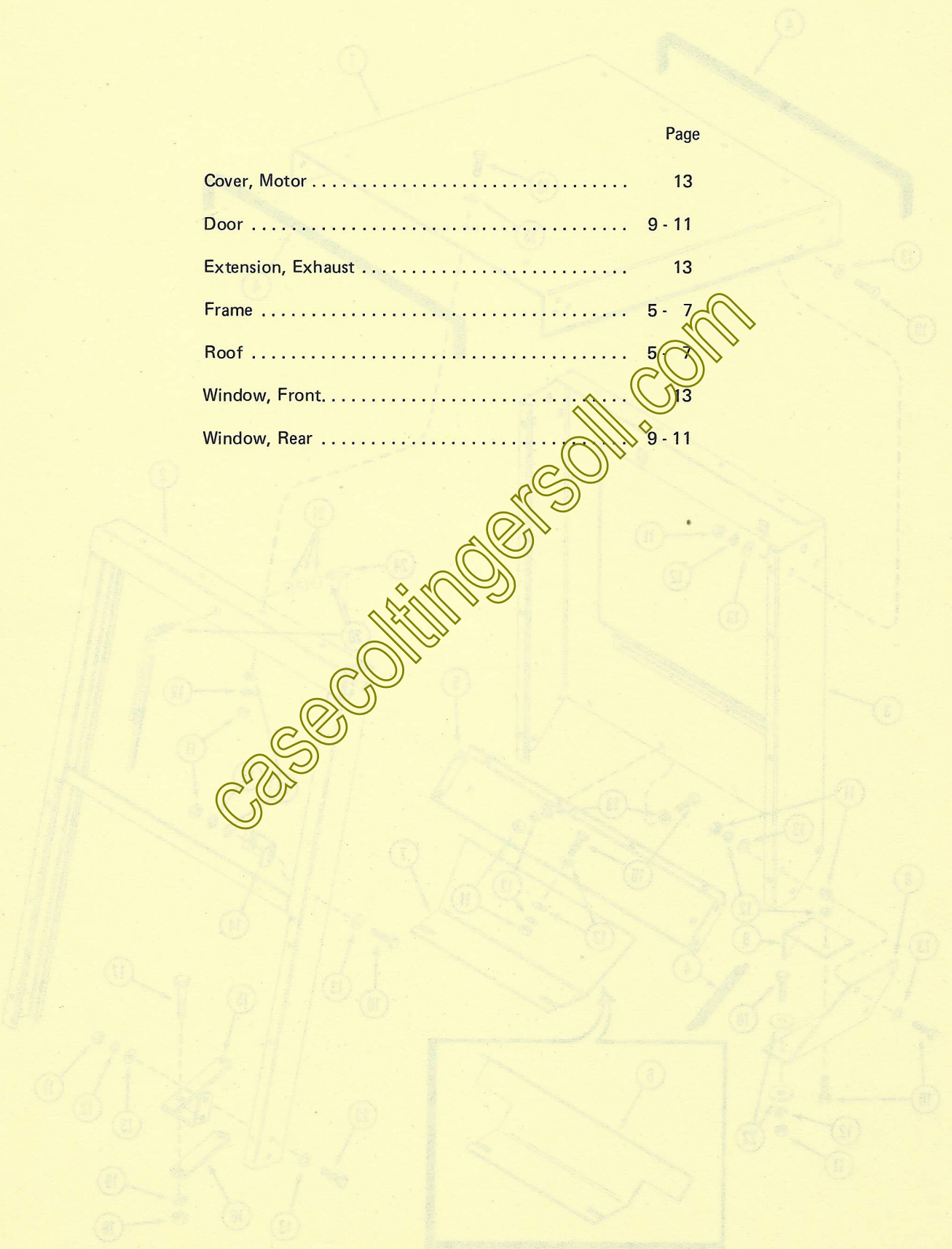
Terms "Right Hand" and "Left Hand"

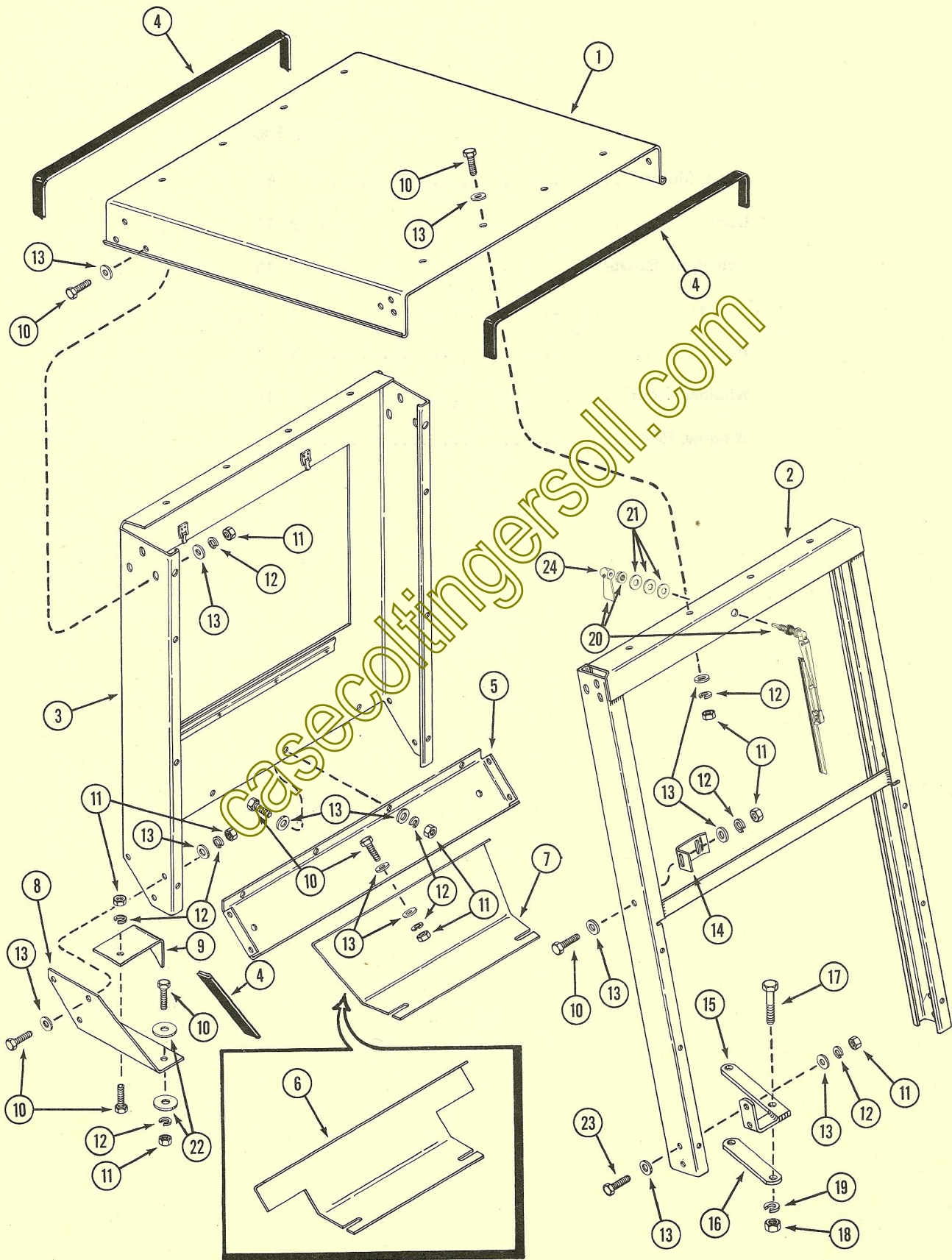
"Right Hand" and "Left Hand" sides of this machine are determined by standing at the rear of the unit and facing in the direction of forward travel.

ALPHABETICAL INDEX

	Page
Cover, Motor	13
Door	9 - 11
Extension, Exhaust	13
Frame	5 - 7
Roof	5 - 7
Window, Front	13
Window, Rear	9 - 11

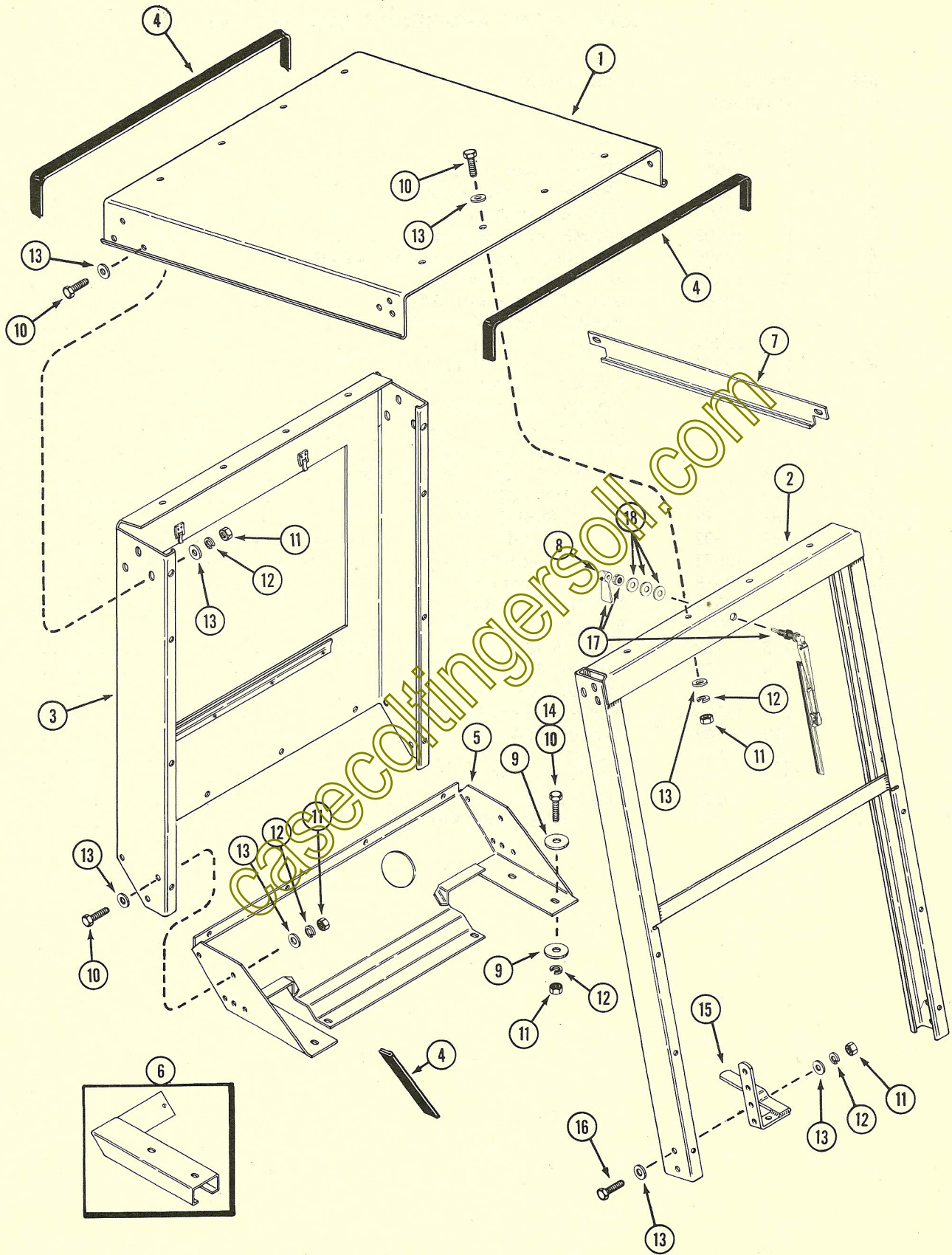
casecoltingersoll.com





ROOF, FRONT AND REAR FRAME (J-1, J-2)

REF.	PART NUMBER	DESCRIPTION	REQ'D
1	C 25507	ROOF	1
2	C 25517	FRAME - front (J-1)	1
2	C 25518	FRAME - front (J-2) shown	1
3	C 25508	FRAME - rear (J-1)	1
3	C 25509	FRAME - rear (J-2) shown	1
4	C 19598	MOLDING - channel, vinyl, 16' (4.9 m) roll	1
5	C 19571	PANEL - rear, lower	1
6	C 19602	MOUNT - rear, center (J-1)	1
7	C 19576	MOUNT - rear, center (J-2)	1
8	C 19600	MOUNT - rear, L.H. (J-1)	1
8	C 19572	MOUNT - rear, L.H. (J-2)	1
8	C 19601	MOUNT - rear, R.H. (J-1)	1
8	C 19573	MOUNT - rear, R.H. (J-2)	1
9	C 19574	FILLER - rear, L.H. (J-2)	1
9	C 19575	FILLER - rear, R.H. (J-2)	1
10	113- 3	BOLT - 1/4" - 20 x 3/4" hex head	41
11	129- 101	NUT - 1/4" - 20 hex	45
12	192- 19	LOCKWASHER - 1/4"	45
13	195- 102	WASHER - 1/4"	82
14	C 19578	CATCH - latch, door	2
15	C 19579	MOUNT - front L.H.	1
15	C 19580	MOUNT - front R.H.	1
16	C 19581	STRAP - mount, front	2
17	113- 122	BOLT - 5/16" - 18 x 1-1/2" hex head	4
18	129- 102	NUT - 5/16" - 18 hex	4
19	192- 20	LOCKWASHER - 5/16"	4
20	C 19569	WIPER - windshield	1
21	195- 104	WASHER - 3/4"	3
22	195- 2014	WASHER - 1/4" x 1-1/4"	4
23	113- 4	BOLT - 1/4" - 20 x 1"	4
24	C 25228	LEVER - wiper	1
	176- 425	SET SCREW - #10 - 24 x 3/16"	1



ROOF, FRONT AND REAR FRAME (K-1, K-2)

REF.	PART NUMBER	DESCRIPTION	REQ'D
1	C 25507	ROOF	1
2	C 25517	FRAME - front (K-1).....	1
2	C 25518	FRAME - front (K-2).....	1
3	C 25508	FRAME - rear (K-1).....	1
3	C 25509	FRAME - rear (K-2).....	1
4	C 19598	MOLDING - channel, vinyl 16' (4.9m)	1
5	C 25510	PANEL - rear, mounting (K-1).....	1
5	C 25511	PANEL - rear, mounting (K-2).....	1
6	C 25512	SPACER - L.H. (K-1) (use on older tractors).....	1
6	C 25514	SPACER - R.H. (K-1) (use on older tractors).....	1
6	C 25513	SPACER - L.H. (K-2) (use on older tractors).....	1
6	C 25515	SPACER - R.H. (K-2) (use on older tractors).....	1
7	C 25516	FRAME - door, upper	2
8	C 25228	HANDLE - wiper.....	1
	176- 425	SET SCREW - #10 - 24 x 3/16"	1
9	195- 2014	WASHER - 1/4" x 1-1/4"	4
10	113- 3	BOLT - 1/4" - 20 x 3/4" hex.....	41
11	129- 101	NUT - 1/4" - 20 hex	45
12	192- 19	LOCK WASHER - 1/4".....	45
13	195- 102	WASHER - 1/4"	82
14	113- 12	BOLT - 1/4" - 20 x 2-1/2" hex (K-1), used with item 6 on older tractors ...	4
14	113- 14	BOLT - 1/4" - 20 x 2" (K-2), used with item 6 on older tractors.....	4
15	C 25519	MOUNT - front L.H.	1
15	C 25520	MOUNT - front R.H.	1
16	113- 4	BOLT - 1/4" - 20 x 1"	4
17	C 19569	WIPER - windshield	1
18	195- 104	WASHER - 3/4"	3

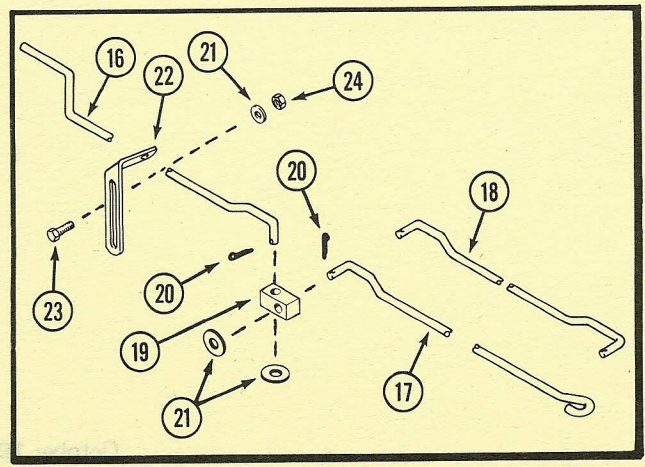
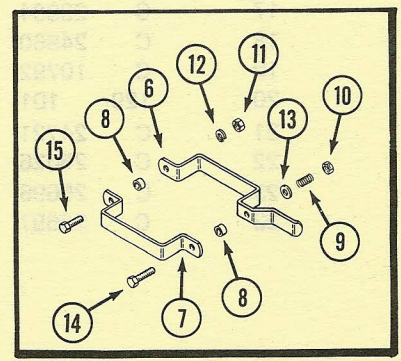
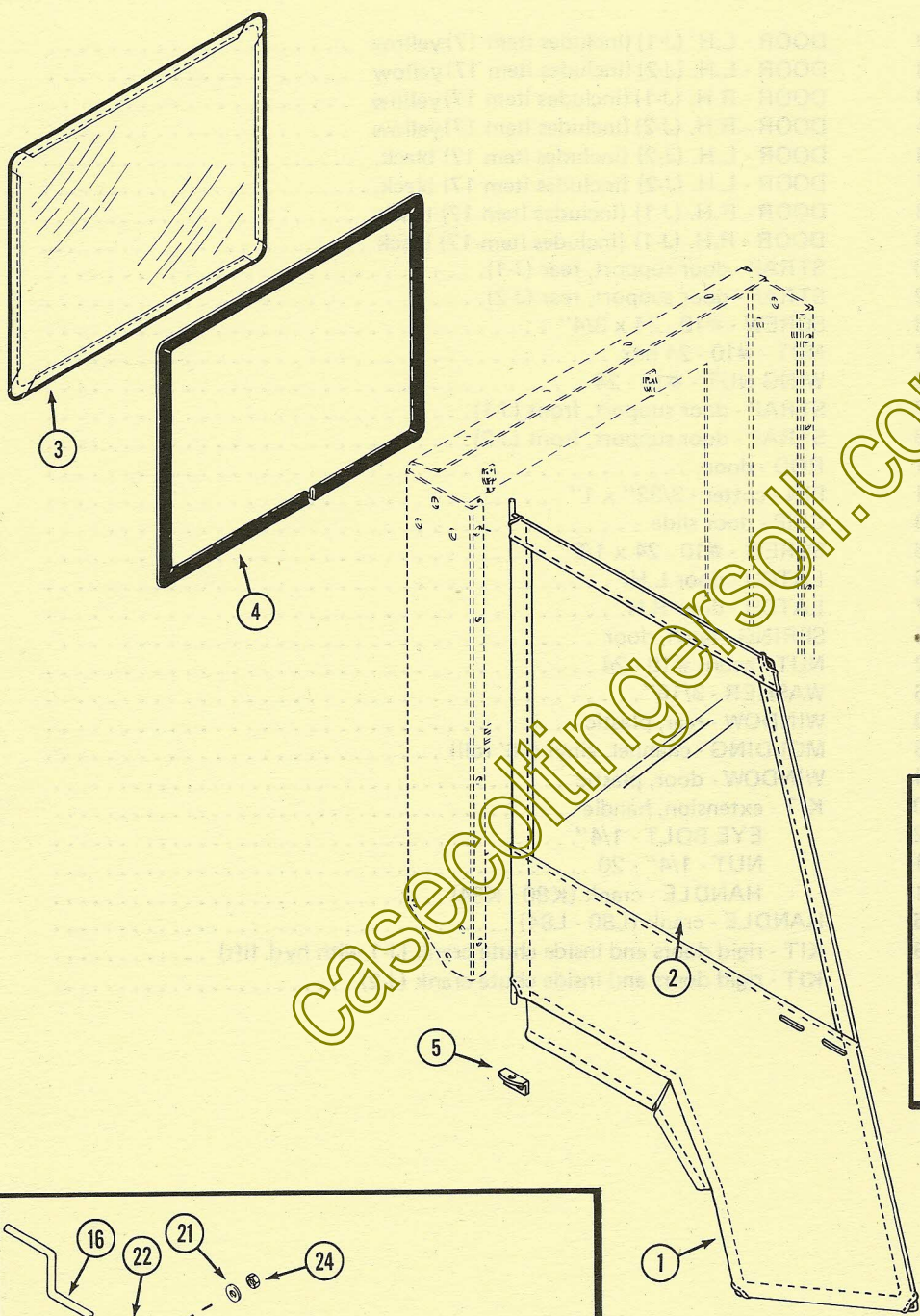
casecoincorp.com

DOOR AND REAR WINDOW (J1, J2)

REF.	PART NUMBER	DESCRIPTION	REQ'D
1	C 19609	DOOR - L.H. (J-1) (includes item 17) yellow	1
1	C 19593	DOOR - L.H. (J-2) (includes item 17) yellow	1
1	C 19610	DOOR - R.H. (J-1) (includes item 17) yellow	1
1	C 19594	DOOR - R.H. (J-2) (includes item 17) yellow	1
1	C 25266	DOOR - L.H. (J-2) (includes item 17) black	1
1	C 25267	DOOR - L.H. (J-2) (includes item 17) black	1
1	C 25268	DOOR - R.H. (J-1) (includes item 17) black	1
1	C 25269	DOOR - R.H. (J-1) (includes item 17) black	1
2	C 19608	STRAP - door support, rear (J-1)	2
2	C 19592	STRAP - door support, rear (J-2)	2
3	182- 518	SCREW - #10 - 24 x 3/4"	6
4	129- 17	NUT - #10 - 24 hex	18
5	129- 402	WING NUT - #10 - 24	6
6	C 19607	STRAP - door support, front (J-1)	2
6	C 19588	STRAP - door support, front (J-2)	2
7	C 19591	ROD - door	2
8	132- 321	PIN - cotter - 3/32" x 1"	2
9	C 19589	CLIP - door slide	10
10	182- 516	SCREW - #10 - 24 x 1/2"	16
11	C 19586	LATCH - door L.H.	1
11	C 19587	LATCH - door R.H.	1
12	C 19595	SPRING - latch, door	2
13	129- 642	NUT - acorn #10 - 24	6
14	195- 516	WASHER - 3/16"	4
15	C 19590	WINDOW - rear, plastic	1
16	C 19598	MOLDING - channel, vinyl (16' roll)	1
17	C 23864	WINDOW - door, plastic	2
18	C 24860	KIT - extension, handle	1
19	C 10792	EYE BOLT - 1/4"	1
20	129- 101	NUT - 1/4" - 20	2
21	C 24721	HANDLE - crank (K80 - K84)	1
22	C 25026	HANDLE - crank (L80 - L84)	1
23	C 25696	KIT - rigid doors and inside chute crank (J-1 with hyd. lift)	1
23	C 25697	KIT - rigid doors and inside chute crank (J-2)	1

caseco.com/persoil.com

DOOR AND REAR WINDOW (L)

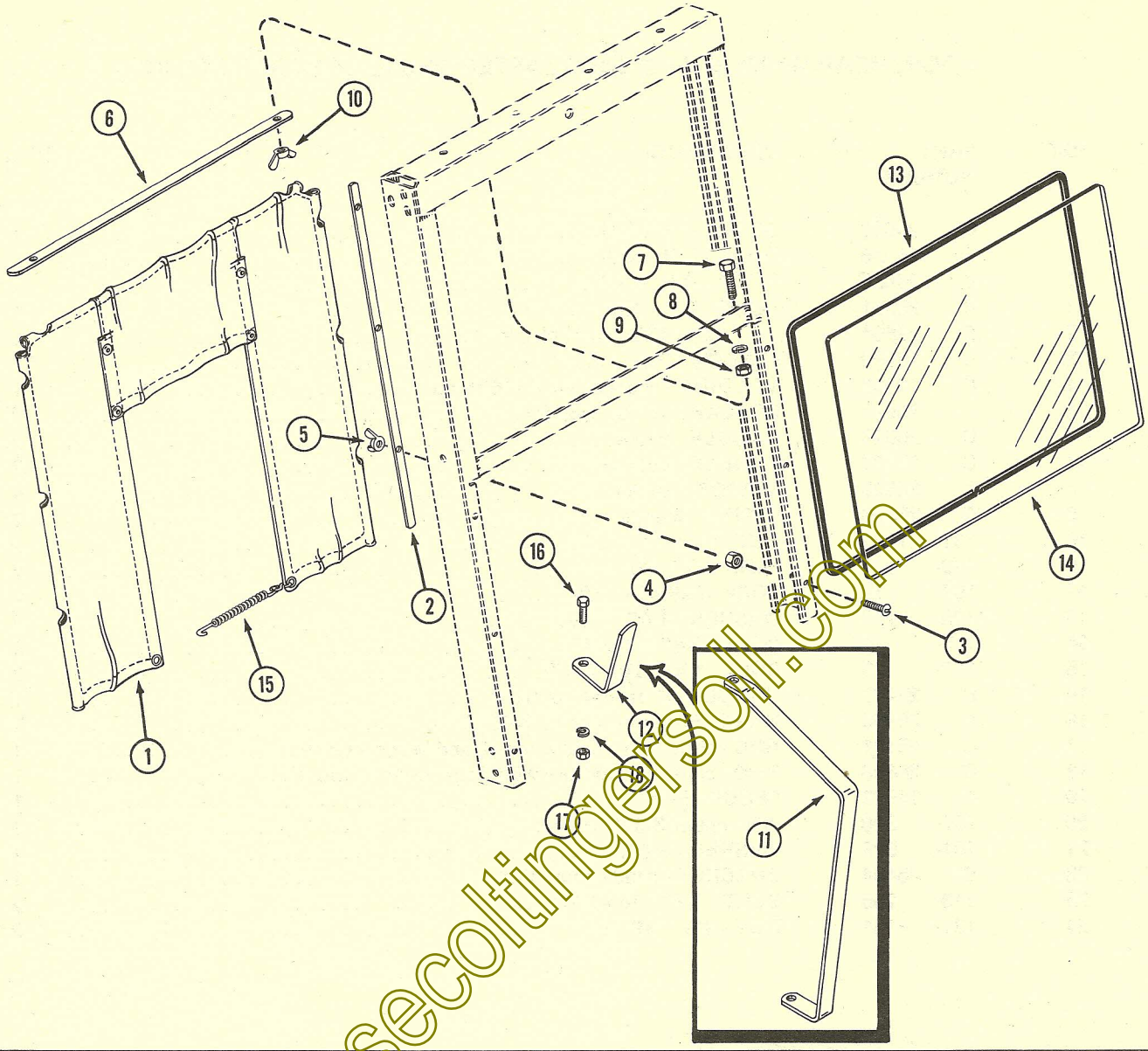


casecoatingersoll.com

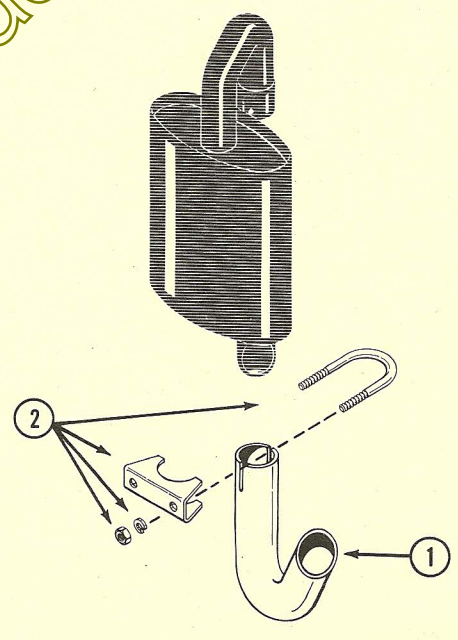
DOOR, REAR WINDOW AND SNOWCASTER CHUTE CONTROL (K1, K2)

REF.	PART NUMBER	DESCRIPTION	REQ'D
1	C 25528	DOOR - L.H. (K-1).....	1
1	C 25529	DOOR - L.H. (K-2).....	1
1	C 25530	DOOR - R.H. (K-1).....	1
1	C 25531	DOOR - R.H. (K-2).....	1
2	C 23864	WINDOW - door, plastic.....	1
3	C 19590	WINDOW - rear, plastic.....	1
4	C 19598	MOLDING - channel, vinyl (16 ft. roll).....	1
5	C 25527	BRACKET - mounting, door.....	2
6	C 25523	HANDLE - inside.....	2
7	C 25524	HANDLE - outside.....	2
8	C 25525	SPACER - handle.....	4
9	C 25526	SPRING - handle.....	2
10	131- 1180	NUT - lock 1/4" - 20.....	2
11	129- 101	NUT - 1/4" - 20.....	2
12	192- 19	LOCK WASHER - 1/4".....	2
13	195- 102	WASHER - 1/4".....	2
14	113- 4	BOLT - 1/4" - 20 x 1".....	2
15	113- 3	BOLT - 1/4" - 20 x 3/4".....	2
16	C 25462	HANDLE - chute control (K-1).....	1
16	C 25463	HANDLE - chute control (K-2).....	1
17	C 25461	ROD - chute control (use with L and M snow casters).....	1
18	C 25698	ROD - chute control (use with J and K snow casters).....	1
19	C 14583	BLOCK - joint.....	1
20	132- 320	PIN - cotter 3/32" x 3/4".....	2
21	131- 525	WASHER - 3/8".....	4
22	C 25464	BRACKET - handle mounting.....	1
23	113- 206	BOLT - 3/8" - 16 x 3/4" hex.....	2
24	131- 1181	NUT - 3/8" - 16 hex.....	2

casecoinc.com



casecoltingersol.com



MOTOR COVER AND FRONT WINDOW

REF.	PART NUMBER	DESCRIPTION	REQ'D
1	C 25264	COVER - motor (J-1), black	1
1	C 25521	COVER - motor (J-2, K-1, K-2), black	1
1	C 19605	COVER - motor (J-1) yellow	1
1	C 19584	COVER - motor (J-2) shown, yellow	1
2	C 19606	STRAP - mounting, motor cover (J-1, K-1) side	2
2	C 19585	STRAP - mounting, motor cover (J-2, K-2) side	2
3	182- 518	SCREW - #10 - 24 x 3/4"	6
4	129- 17	NUT - #10 - 24 hex	6
5	129- 402	WING NUT - #10 - 24	6
6	C 19583	STRAP - mounting, motor cover (top)	1
7	113- 4	BOLT - 1/4" - 20 x 1" hex head	2
8	192- 19	LOCKWASHER - 1/4"	2
9	129- 101	NUT - 1/4" - 20 hex	2
10	129- 409	WING NUT - 1/4" - 20	2
11	C 19604	SUPPORT - cover, motor (J-1)	2
12	C 19582	SUPPORT - cover, motor (J-2, K-1, K-2)	2
13	C 19566	MOLDING - rubber, glass seal	1
14	NSS	GLASS - windshield, tempered 19- 3/4" x 27- 3/8" x 7/32" (J-1, K-1) Order from local supplier.	1
14	NSS	GLASS - windshield tempered, 22" x 27-3/8" x 7/32" (J-2, K-2) Order from local supplier.	1
15	32230	SPRING - motor cover hold down	1
16	113- 103	BOLT - 5/16" - 18 x 1" (K-1, K-2)	2
17	129- 102	NUT - 5/16" - 18 (K-1, K-2)	2
18	192- 20	LOCK WASHER - 5/16" (K-1, K-2)	2

casecolting.com

EXHAUST EXTENSION (J-2)
(Used on Tractor Model 446 Only Prior to S/N 9728158)

REF.	PART NUMBER	DESCRIPTION	REQ'D
1	C 22722	PIPE - extension, exhaust	2
2	L 13452	CLAMP ASSEMBLY - pipe, exhaust	2

NUMERICAL INDEX

PART NO.	PAGE NO.	REF. NO.	PART NO.	PAGE NO.	REF. NO.	PART NO.	PAGE NO.	REF. NO.		
C	32230	13	15	C	25462	11	16	129- 101	11	11
C	10792	9	19	C	25463	11	16	129- 101	13	9
C	14583	11	19	C	25464	11	22	129- 102	5	18
C	19566	13	13	C	25507	5	1	129- 102	13	17
C	19569	5	20	C	25507	7	1	129- 402	9	5
C	19569	7	17	C	25508	5	3	129- 402	13	5
C	19571	5	5	C	25508	7	3	129- 409	13	10
C	19572	5	8	C	25509	5	3	129- 642	9	13
C	19573	5	8	C	25509	7	3	131- 525	11	21
C	19574	5	9	C	25510	7	5	131- 1180	11	10
C	19575	5	9	C	25511	7	5	131- 1181	11	24
C	19576	5	7	C	25512	7	6	132- 320	11	20
C	19578	5	14	C	25513	7	6	132- 321	9	8
C	19579	5	15	C	25514	7	6	176- 425	5	
C	19580	5	15	C	25515	7	6	176- 425	7	
C	19581	5	16	C	25516	7	7	182- 516	9	10
C	19582	13	12	C	25517	5	2	182- 518	9	3
C	19583	13	6	C	25517	7	2	182- 518	13	3
C	19584	13	1	C	25518	5	2	192- 19	5	12
C	19585	13	2	C	25518	7	2	192- 19	7	12
C	19586	9	11	C	25519	7	15	192- 19	11	12
C	19587	9	11	C	25520	7	15	192- 19	13	8
C	19588	9	6	C	25521	13	1	192- 20	5	19
C	19589	9	9	C	25523	11	6	192- 20	13	18
C	19590	9	15	C	25524	11	7	195- 102	5	13
C	19590	11	3	C	25525	11	8	195- 102	7	13
C	19591	9	7	C	25526	11	9	195- 102	11	13
C	19592	9	2	C	25527	11	5	195- 104	5	21
C	19593	9	1	C	25528	11	1	195- 104	7	18
C	19594	9	1	C	25529	11	1	195- 516	9	14
C	19595	9	12	C	25530	11	1	195- 2014	5	22
C	19598	5	4	C	25531	11	1	195- 2014	7	9
C	19598	7	4	C	25696	9	23			
C	19598	9	16	C	25697	9	23			
C	19598	11	4	C	25698	11	18			
C	19600	5	8	L	13452	13	2			
C	19601	5	8							
C	19602	5	6							
C	19604	13	11							
C	19605	13	1							
C	19606	13	2							
C	19607	9	6	113-	3	5	10			
C	19608	9	2	113-	3	7	10			
C	19609	9	1	113-	3	11	15			
C	19610	9	1	113-	4	5	23			
C	22722	13	1	113-	4	5	23			
C	23864	9	17	113-	4	7	16			
C	23864	11	2	113-	4	11	14			
C	24721	9	21	113-	4	13	7			
C	24860	9	18	113-	12	7	14			
C	25026	9	22	113-	14	7	14			
C	25228	5	24	113-	103	13	16			
C	25228	7	8	113-	122	5	17			
C	25264	13	1	113-	206	11	23			
C	25266	9	1	129-	17	9	4			
C	25267	9	1	129-	17	13	4			
C	25268	9	1	129-	101	5	11			
C	25269	9	1	129-	101	7	11			
C	25461	11	17	129-	101	9	20			

HARDWARE CODE NUMBERS

casecoltingersoll.com