

BOLENS

**HUSKY
TRACTOR
MODEL 1477-01**

SEE MODEL 18030 PARTS LIST FOR POWER
STEERING REPLACEMENT PARTS

ILLUSTRATED PARTS CATALOG

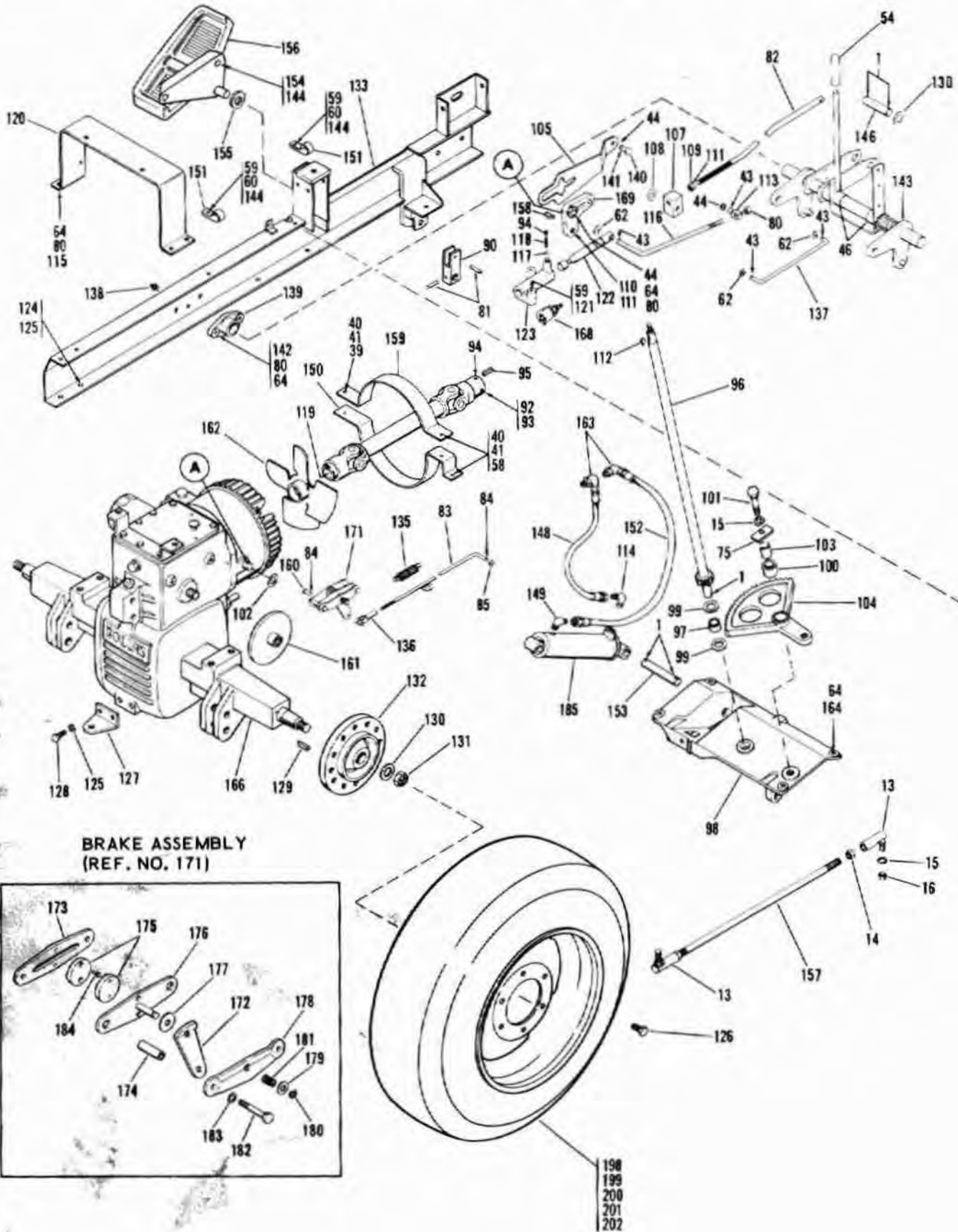


BOLENS

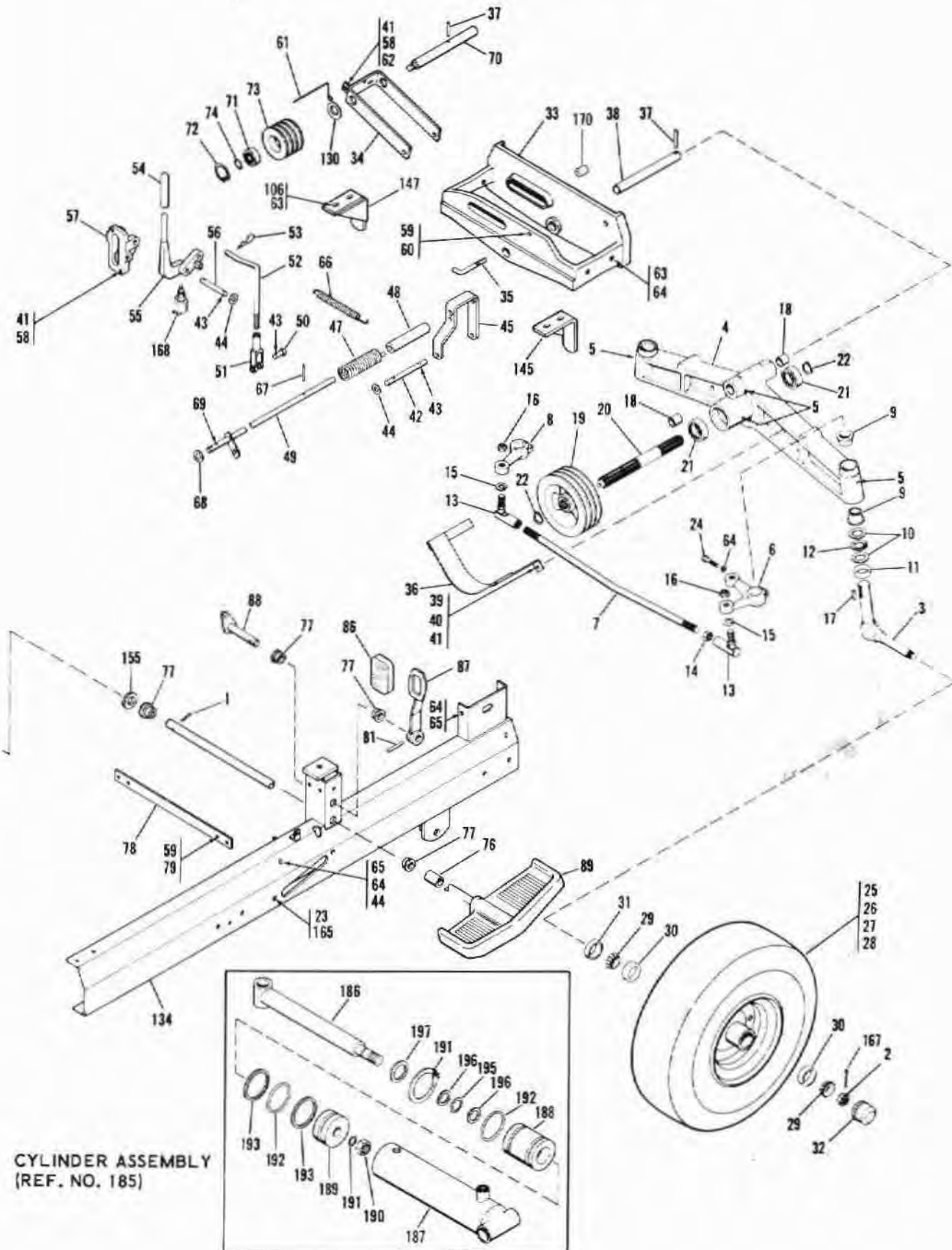
PORT WASHINGTON, WISCONSIN, U.S.A.

PRINTED IN U.S.A.

TRACTOR ASSEMBLY MODEL 1477-01



TRACTOR ASSEMBLY MODEL 1477-01



CYLINDER ASSEMBLY
(REF. NO. 185)

FIGURE 1

TRACTOR ASSEMBLY MODEL 1477-01

(Parts List For Figure 1)

Ref. No.	Part No.	Description	No. Req'd
1	1100 351	Cotter Pin 1/8 x 1-1/4	6
2	1185 758	Castle Nut Special - 1-14	2
3	1719 598	Wheel Spindle	2
4	1718 602	Front Axle	1
5	1104 954	Grease Fitting	4
6	1718 502	Steering Arm - R. H.	1
7	1718 575	Tie Rod	1
8	1718 513	Steering Arm - L. H.	1
9	1185 728	Flange Bearing	4
10	1185 730	Race Thrust	4
11	1706 611	Dust Seal	2
12	1185 729	Thrust Bearing	2
13	1719 003	Ball Joint	4
14	1109 533	Hex Nut 5/8 - 18	5
15	1100 247	Lockwasher 5/8	5
16	1185 082	Lock-Nut 5/8 - 18	4
17	1104 336	Square Key 1/4 x 1	2
18	1185 612	Sleeve Bearing	2
19	1718 515	PTO Sheave	1
20	1718 568	PTO Shaft	1
21	1185 100	Ball Bearing	2
22	1185 689	Retaining Ring	2
23	1108 887	Jam Nut 3/8 - 16	2
24	1107 209	Capscrew 3/8 - 24 x 1-1/2	2
25	1721 421	Wheel & Tire Assy Front (Inc Ref # 26, 27, 28)	2
26	1719 153	Tubeless Tire 5.70/5.00 x 8	2
27	1721 422	Wheel Inc. Ref 29, 30, 31, 32	2
28	1718 086	Valve Stem Only	2
29	1185 661	Roller Bearing Cone	4
30	1185 660	Roller Bearing Cup	4
31	1719 601	Felt Seal	2
32	1719 599	Cap	2
33	1722 832	Axle Support	1
34	1718 616	Idler Shaft Ball	1
35	1719 147	Belt Guide	1
36	1718 497	Belt Guide	1
37	1185 376	Roll Pin 3/16 x 1-1/2	2
38	1718 548	Axle Pivot Pin	1
39	1106 878	Capscrew 5/16 - 18 x 1	3
40	1182 563	Hex Nut 5/16 x 18	5
41	1100 242	Lockwasher 5/16	9
42	1718 533	Arm Pin	1
43	1100 346	Cotter Pin 3/32 x 3/4	10
44	1107 383	Flat Washer 3/8	9
45	1718 528	Control Arm	1
46	1720 330	Split Bushing	2
47	1718 532	Torsion Spring	1
48	1719 713	Sleeve	1
49	1718 488	Control Rod	1
50	1112 587	Clevis Pin	1
51	222 007	Clutch Yoke	1
52	1718 526	PTO Control Rod	1
53	1703 011	Spring Cotter	1
54	1718 535	Handle Grip	2
55	1718 518	Lever-PTO	1
56	1718 558	Pivot Pin	1
57	1718 508	Bracket	1
58	1106 872	Capscrew 5/16 - 18 x 5/8	0
59	1100 241	Lockwasher 1/4	7
60	1121 507	Hex Nut 1/4 - 20	3
61	1718 606	Belt Guide	1

Ref. No.	Part No.	Description	No. Req'd
62	1107 382	Flat Washer 5/16	3
63	1106 915	Capscrew 3/8 - 16 x 3/4	6
64	1100 243	Lockwasher 3/8	24
65	1106 913	Capscrew 3/8 - 16 x 5/8	6
66	1714 279	Extension Spring	1
67	1185 552	Drive Pin 3/16 x 1-3/4	1
68	1107 385	Flat Washer 1/2	2
69	1100 356	Cotter Pin 3/32 x 1	2
70	1718 567	Idler Shaft	1
71	1185 064	Ball Bearing	1
72	1187 439	Int. Retaining Ring	1
73	1719 202	Idler Sheave	1
74	1118 609	Ext. Retaining Ring	1
75	1721 405	Steering Plate	1
76	1721 378	Spacer	1
77	1185 034	Flange Bushing	4
78	1718 545	Tie Strap	1
79	1106 830	Capscrew 1/4 - 20 x 1/2	6
80	1121 508	Hex Nut 3/8 - 16	11
81	1713 432	Drive Pin 3/16 - 1-1/4	3
82	1718 541	Control Rod	1
83	1719 556	Brake Rod Assembly	1
84	1187 385	Cotter Pin 1/16 - 1/2	2
85	1107 381	Flat Washer 1/4	1
86	1719 539	Pedal Pad	1
87	1719 547	Pedal, Brake	1
88	1719 520	Brake Arm Assembly	1
89	1721 377	Speed Control Pedal	1
90	1718 544	Control Arm	1
91	1718 531	Universal Joint Assy	1
92	1106 888	Capscrew 5/16 - 18 x 2	1
93	1110 107	Lock Nut 5/16 - 18	1
94	1185 342	Set-Screw 5/16 - 18 x 3/8	2
95	1108 844	Square Key 1/4 x 1-1/4	1
96	1718 588	Steering Shaft	1
97	1185 319	Bronze Bearing	1
98	1719 149	Steering Bridge	1
99	1707 546	Thrust Washer	2
100	1185 711	Bronze Bearing	1
101	1107 064	Capscrew 5/8 - 11 x 2	1
102	1713 122	Bowed Washer	1
103	1718 555	Spacer	1
104	1718 506	Gear 23T	1
105	1719 540	Bracket	1
106	1185 715	Lockwasher 3/8 (Pyramidal)	4
107	1719 041	Pivot Block	1
108	1719 453	Bowed Washer	2
109	1110 110	Hex Nut 1/2 - 13	1
110	1107 037	Capscrew 1/2 - 13 x 2-1/4	1
111	1108 889	Hex Nut 1/2 x 13	3
112	1104 436	Woodruff Key 3/16 x 3/4	1
113	1714 663	Pivot Block	1
114	1185 903	45° Elbow	1
115	1106 917	Capscrew 3/8 - 16 x 7/8	4
116	1718 462	Oil Relief Spool Link	1
117	1713 416	Ball	1
118	1713 417	Compression Spring	1
119	1200 034	Key 1/4 - 7/8	1
120	1718 464	Fender Support	1
121	1106 852	Capscrew 1/4 - 20 x 2	2
122	1718 565	Oil Relief Spool	1
123	1718 521	Oil Relief Spool Guide	1

TRACTOR ASSEMBLY MODEL 1477-01

(Parts List For Figure 1)

Ref. No.	Part No.	Description	No. Req'd
124	1106 985	Capscrew 1/2-13 x 1	4
125	1100 245	Lockwasher 1/2	7
126	1715 428	Wheel Bolt 1/2-20	12
127	1714 101	Hitch	1
128	1106 983	Capscrew 1/2-13 x 7/8	2
129	1108 847	Square Key 5/16 x 1-1/8	2
130	1107 387	Flat Washer 3/4	5
131	1120 390	Lock Nut 3/4-10	2
132	1718 581	Wheel Hub	2
133	1718 399	Frame - L.H.	1
134	1718 596	Frame - R.H.	1
135	1700 401	Extension Spring	1
136	1715 927	End Yoke	1
137	1718 463	Parking Pawl Link	1
138	1104 954	Grease Fitting	2
139	1718 593	Block Bearing	2
140	1708 126	Clevis Pin 3/8 - 13/16	1
141	1100 349	Cotter Pin 1/8 x 3/4	4
142	1106 923	Capscrew 3/8-16 x 1-1/4	1
143	1718 485	Shift Pivot Shaft Assy	1
144	1106 832	Capscrew 1/4-20 x 5/8	4
145	1722 626	R.H. Stop	1
146	1719 151	Pin	1
147	1722 625	L.H. Stop	1
148	1719 178	Cylinder Hose Assy	1
149	1185 739	Elbow 90°	1
150	1722 627	Fan Guard Lower	1
151	1717 854	Wire Clamp	2
152	1719 179	Cylinder Hose Assy	1
153	1719 152	Pivot Pin	1
154	1103 993	Lockwasher 1/4	2
155	1706 594	Washer	1
156	1721 381	Foot Pedal L.H.	1
157	1718 574	Drag Link	1
158	1104 435	Woodruff Key 1/8 x 5/8	1
159	1722 628	Fan Guard Upper	1
160	1710 348	Pin	1
161	1719 538	Disk Assembly	1
162	1719 006	Fan	1
163	1185 737	Elbow 90°	2
164	1106 919	Capscrew 3/8-16 x 1	7
165	1103 514	Set Screw 3/8-16 x 1-1/2	2
166		Trans. Assembly (See Figure #3)	1
167	1104 222	Cotter Pin 3/16 x 1-1/2	3
168	1720 527	Interlock Switch	2
169	1721 389	Arm Assembly	1
170	1722 833	Tubular Spacer	3
171	1719 555	Brake Assy (Inc Ref 172 thru 184)	1
172	1719 557	Actuating Cam	1
173	1719 558	Carrier - Solid Side	1
174	1719 559	Spacer	2
175	1719 560	Puck	2
176	1719 561	Carrier - Cam Side	1
177	1719 562	Washer	1
178	1719 563	Actuator	1
179	1719 564	Washer	1

Ref. No.	Part No.	Description	No. Req'd
180	1719 565	Snap Ring	1
181	1719 587	Spring	1
182	1719 568	Bolt 1/4-2	2
183	1100 241	Lockwasher 1/4	2
184	1719 569	Rivet	4
185	1719 145	Cylinder Assy (Inc Ref 186 thru 197)	1
186	1719 818	Piston Rod Assy	1
187	1719 819	Butt and Tube Assy	1
188	1719 820	Gland	1
189	1719 821	Piston	1
190	1719 822	Hex Nut	1
191	1719 823	Snap Ring	1
192	1719 824	O-Ring	2
193	1719 825	Backup Washer	2
194	1719 826	O-Ring	1
195	1719 827	O-Ring	1
196	1719 828	Backup Washer	2
197	1719 829	Wiper	1
198	MODEL 18018 - STD. LAWN TIRE KIT		
	1721 431	Wheel and Tire Assy	2
	1717 204	Tire 27 x 8.50 - 15	2
	1721 432	Wheel	2
	1718 242	Valve	2
199	MODEL 18019 - STD. AGRI. TIRE KIT		
	1721 440	Wheel and Tire Assy R.H.	1
	1721 441	Wheel and Tire Assy L.H.	1
	1718 243	Tire 27 x 8.50 - 15	2
	1721 432	Wheel	2
	1718 242	Valve	2
200	MODEL 18016 - TERRA LAWN TIRE KIT		
	1721 434	Wheel and Tire Assy	2
	1719 548	Tire - 26 x 12 - 12	2
	1721 435	Wheel	2
	1718 242	Valve	2
201	MODEL 18017 - TERRA AGRI. TIRE KIT		
	1721 437	Wheel and Tire Assy R.H.	1
	1721 438	Wheel and Tire Assy L.H.	1
	1718 298	Tire 26 x 12 - 12	2
	1721 435	Wheel	2
	1718 242	Valve	2
202	MODEL 18020 - DUAL WHEEL KIT		
	1721 428	Wheel and Tire Assy EXT	2
	1718 117	Hub Bolt	12
	1717 204	Tire 27 x 8.50 - 15	2
	1718 242	Valve	2
	1721 429	Extension Wheel	2

TRACTOR ASSEMBLY MODEL 1477-01

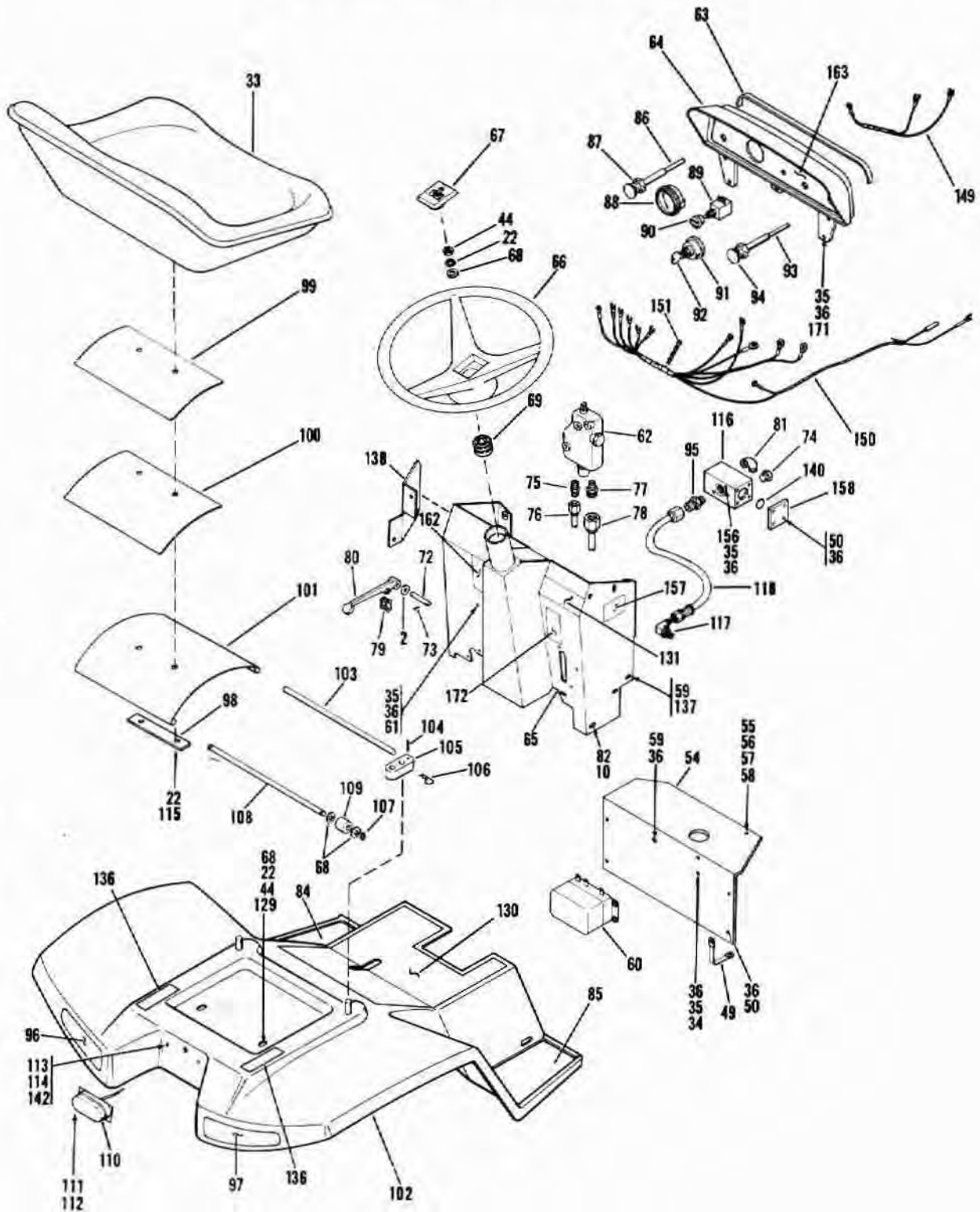


FIGURE 2

TRACTOR ASSEMBLY MODEL 1477-01

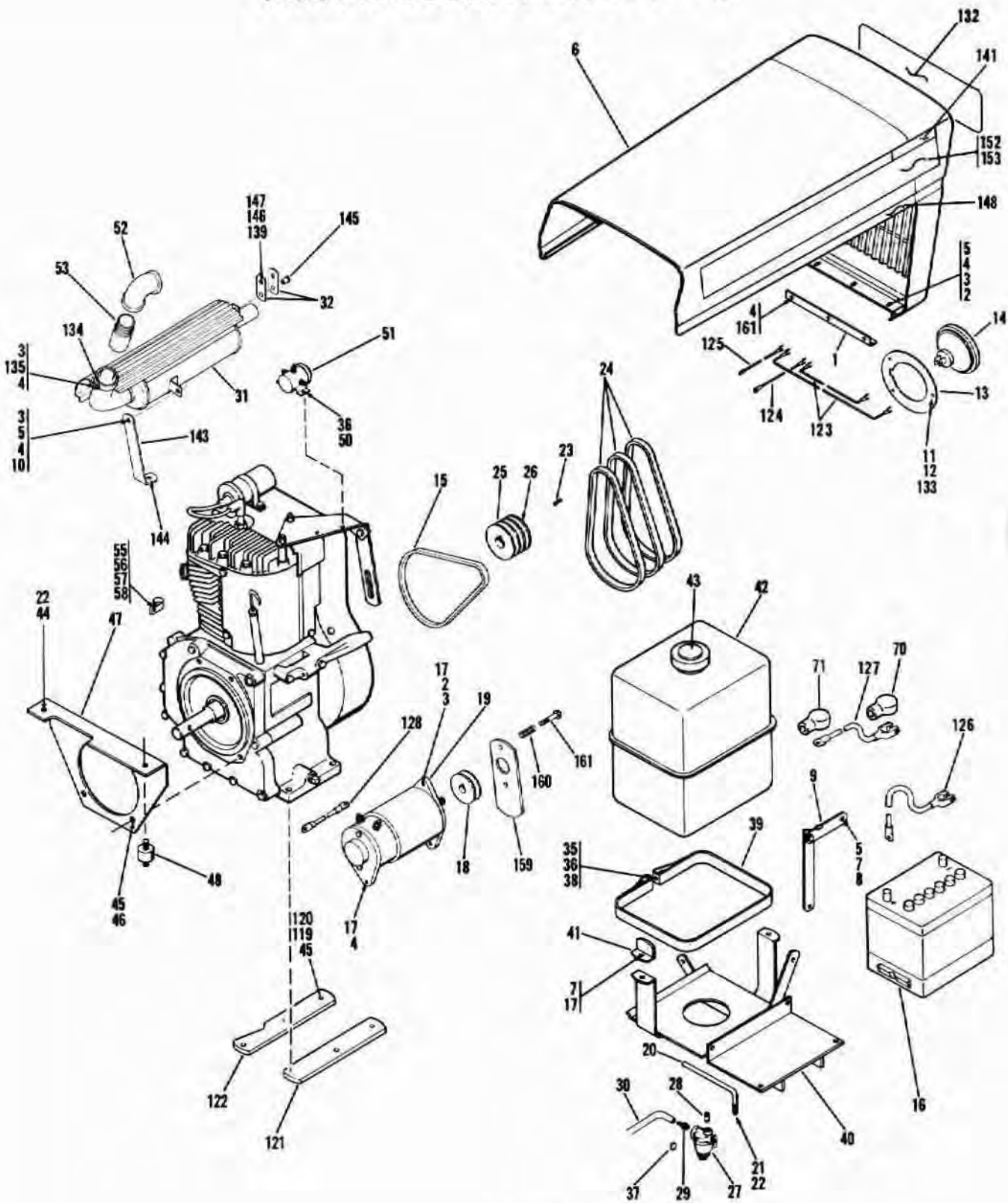


FIGURE 2

TRACTOR ASSEMBLY MODEL 1477-01

(Parts List For Figure 2)

Ref. No.	Part No.	Description	No. Req'd	Ref. No.	Part No.	Description	No. Req'd
1	1717 248	Hinge	1	58	1109 768	Hex Nut 10-24	4
2	1107 382	Flat Washer 5/16	10	59	1106 832	Capscrew 1/4-20 x 5/8	2
3	1182 563	Hex Nut 5/16 - 18	6	60	1719 181	Voltage Regulator	1
4	1100 242	Lockwasher 5/16	10	61	1106 852	Capscrew 1/4-20 x 2	1
5	1106 872	Capscrew 5/16 - 18 x 5/8	8	62	1722 670	Control Valve Assy	1
6	1718 670	Grille & Hood			1723 216	Repair Kit for Ref No. 62	1
		W/out Decals	1	63	1717 599	Rubber Pad	1
7	1110 107	Lock-Nut 5/16 - 18	5	64	1717 249	Instrument Panel	1
8	1705 905	Bowed Washer	2	65	1722 684	Steering Column	1
9	1718 500	Hood Stop Assembly	1	66	1721 805	Steering Wheel	1
10	1103 994	Washer 5/16	3	67	1722 750	Steering Wheel Cap	1
11	1185 911	Rivet	5	68	1107 383	Flat Washer 3/8	5
12	1185 746	Spring Clip	6	69	1720 134	Self Aligning Bearing	1
13	1719 708	Retainer Ring	2	70	1721 413	Batt. Terminal Boot	1
14	*	Headlight Bulb (Mfg. No. 4406)	2	71	1722 817	Batt. Cable Boot	1
15	1711 844	Gen. Belt 35 5/8" cog.	1	72	1722 705	Valve Rod	1
16	1718 027	Battery 12 V - 45 amp	1	73	1100 346	Cotter Pin 3/32 x 3/4	1
17	1106 878	Capscrew 5/16 - 18 x 1	5	74	1185 901	Plug	1
18	1719 146	Pulley	1	75	1717 563	Connector	1
19	1716 169	Starter Generator	1	76	1722 819	37" Flared Tube (Valve to Valve)	1
20	1718 576	Battery Rod	2	77	1185 909	Connector	1
21	1110 024	Wing Nut 3/8 - 16	2	78	1722 694	37" Flared Tube (Control Valve to Trans)	1
22	1100 243	Lockwasher 3/8	13	79	1185 018	Connector Link	1
23	1108 844	Square Key 1/4 - 1-1/4	1	80	1722 539	Control Valve Lever	1
24	1719 203	Drive Belt 32" (Matched Set of 3)	1	81	1185 737	Elbow - 90°	1
25	1719 198	Drive Sheave	1	82	1106 870	Capscrew 5/16-18 x 1/2	4
26	1103 470	Set Screw 5/16 - 18 x 1/2	2	83	1185 725	Centerlock Nut 5/16-18	2
27	1700 141	Fuel Strainer	1	84	1719 182	Foot Pad - L.H.	1
28	1721 406	Fuel Fitting	1	85	1719 183	Foot Pad - R.H.	1
29	1703 897	Fuel Line Fitting	1	86	1718 607	Choke Control (Incl 87)	1
30	1719 204	Fuel Line	1	87	1718 232	Choke Knob - Wire Only	1
31	1721 395	Exhaust Muffler	1	88	1714 146	Ammeter	1
32	1721 397	Muffler Hanger	2	89	1717 256	Light Switch (Incl 90)	1
33	1722 474	Seat	1	90	1718 231	Light Switch Knob Only	1
34	1106 840	Capscrew 1/4 - 20 x 1	4	91	1721 409	Ignition Switch (Incl 92)	1
35	1121 507	Hex Nut 1/4 - 20	13	92	1718 286	Key Only	1
36	1100 241	Lockwasher 1/4	20	93	1717 590	Throttle Control (Incl 94)	1
37	1718 185	Hose Clamp	2	94	1718 233	Throttle Knob & Wire Only	1
38	1114 474	Mach Screw 1/4 - 20 x 1-1/2	1	95	1185 909	Connector	1
39	1718 519	Gasoline Tank Strap	1	96	1722 677	Decal (L.H. Rear)	1
40	1718 476	Battery & Gas Tank Support	1	97	1722 678	Decal (R.H. Rear)	1
41	1718 543	Gas Tank Clip	2	98	1718 552	Mounting Strap	1
42	1718 600	Gas Tank (Incl 43)	1	99	1718 530	Leaf Spring	1
43	1718 756	Gas Tank Cap Only	1	100	1718 511	Leaf Spring	1
44	1121 509	Hex Nut 3/8 - 16	11	101	1718 510	Leaf Spring	1
45	1100 244	Lockwasher 7/16	8	102	1721 382	Rear Fender	1
46	1106 964	Capscrew 7/16 - 14 x 3/4	4	103	1718 560	Pivot Pin	1
47	1718 603	Engine Face Plate	1	104	1177 825	Roll - Pin 1/8 x 3/4	2
48	1718 542	Engine Mount Rubber	4	105	1719 206	Adjusting Block	2
49	1719 191	Engine Ground Wire	1	106	1703 011	Spring Cotter	2
50	1106 830	Capscrew 1/4 - 20 x 1/2	7	107	1118 789	Retaining Ring	2
51	1717 048	Solenoid	1	108	1718 566	Roller Shaft	1
52	1100 885	Elbow - 90°	1	109	1718 562	Roller	2
53	1721 398	Special Nipple	1	110	1805 342	Taillight Assembly (Incl No. 111 & 112)	1
54	1721 372	Heat Shield	1	111	*	Bulb (Mfg. No. 1805)	1
55	1100 240	Lockwasher #10	4	112	1805 130	Lens Only	1
56	1118 172	Mach Screw 1/0 - 24 x 5/8	4	113	1116 197	Mach Screw #6-32 x 1/2	2
57	1103 959	Flat Washer #10	4	114	1109 764	Hex Nut 6-32	2

* Not Stocked. Purchase from your local automotive or electrical supplier.

TRACTOR ASSEMBLY MODEL 1477-01

(Parts List For Figure 2)

Ref. No.	Part No.	Description	No. Req'd
115	1106 917	Capscrew 3/8-16 x 7/8	4
116	1722 535	Body Valve	1
117	1185 736	Elbow - 90°	2
118	1722 695	37° Flared Tube Body Valve to Trans	1
119	1107 013	Capscrew 7/16-14 x 1-3/4	4
120	1110 109	Lock Nut 7/16-14	4
121	1718 523	Engine Support	1
122	1718 579	Engine Support	1
123	1717 370	Lead Assembly	2
124	1717 394	Lead Assembly	1
125	1717 369	Lead Assembly	1
126	1719 189	Ground Wire	1
127	1719 190	Positive Wire	1
128	1719 192	Starter Wire	1
129	1106 919	Capscrew 3/8-16 x 1	6
130	1722 457	Decal (Transmission - Woodgrain)	1
131	1721 291	Decal (Caution)	1
132	1722 752	Decal (Husky Grille)	1
133	1185 748	Wave Washer	6
134	1721 534	Clamp Assy (Inc Ref 3-4- 152)	1
135	1111 287	Carr Bolt 5/16-18 x 1-1/4	1
136	1721 369	Wear Strip	2
137	1103 993	Washer, Lock Ext 1/4	2

Ref. No.	Part No.	Description	No. Req'd
138	1719 744	Heat Shield	1
139	1110 106	Lock Nut 1/4 x 20	2
140	1181 155	O-Ring	2
141	1722 764	Decal (Hood-Bolens)	2
142	1103 989	Shakeproof Lockwasher #8	2
143	1721 396	Muffler Bracket	1
144	1110 108	Lock Nut 3/8 x 16	2
145	1185 805	Flange Brg.	2
146	1705 119	Bowed Washer	4
147	1106 837	Capscrew 1/4-20 x 7/8	2
148	1717 859	Tape Strip 84"	1
149	1721 465	Wiring Harness See Fig. 9	1
150	1721 466	Wiring Harness See Fig. 9	1
151	1719 496	Wire Tie	1
152	1722 772	Decal (Hood 1477 L.H.)	1
153	1722 771	Decal (Hood 1477 R.H.)	1
154	1107 381	Flat Washer 1/4	4
155	1721 287	Decal (PTO)	1
156	1106 856	Capscrew 1/4-20 x 2-1/2	2
157	1723 102	Decal (Brake Pedal)	1
158	1722 536	Valve Cover	2
159	1722 042	Belt Guard	1
160	1722 043	Spring (Guard)	2
161	1106 886	Capscrew 5/16-18 x 1-3/4	2
162	1722 943	Decal (Hydraulic Control)	1
163	1722 751	Decal (Instrument Panel)	1

Note: For replacement parts on optional power steering kit, consult Model 18030 parts list.

TRANSAXLE ASSEMBLY MODEL 1477-01

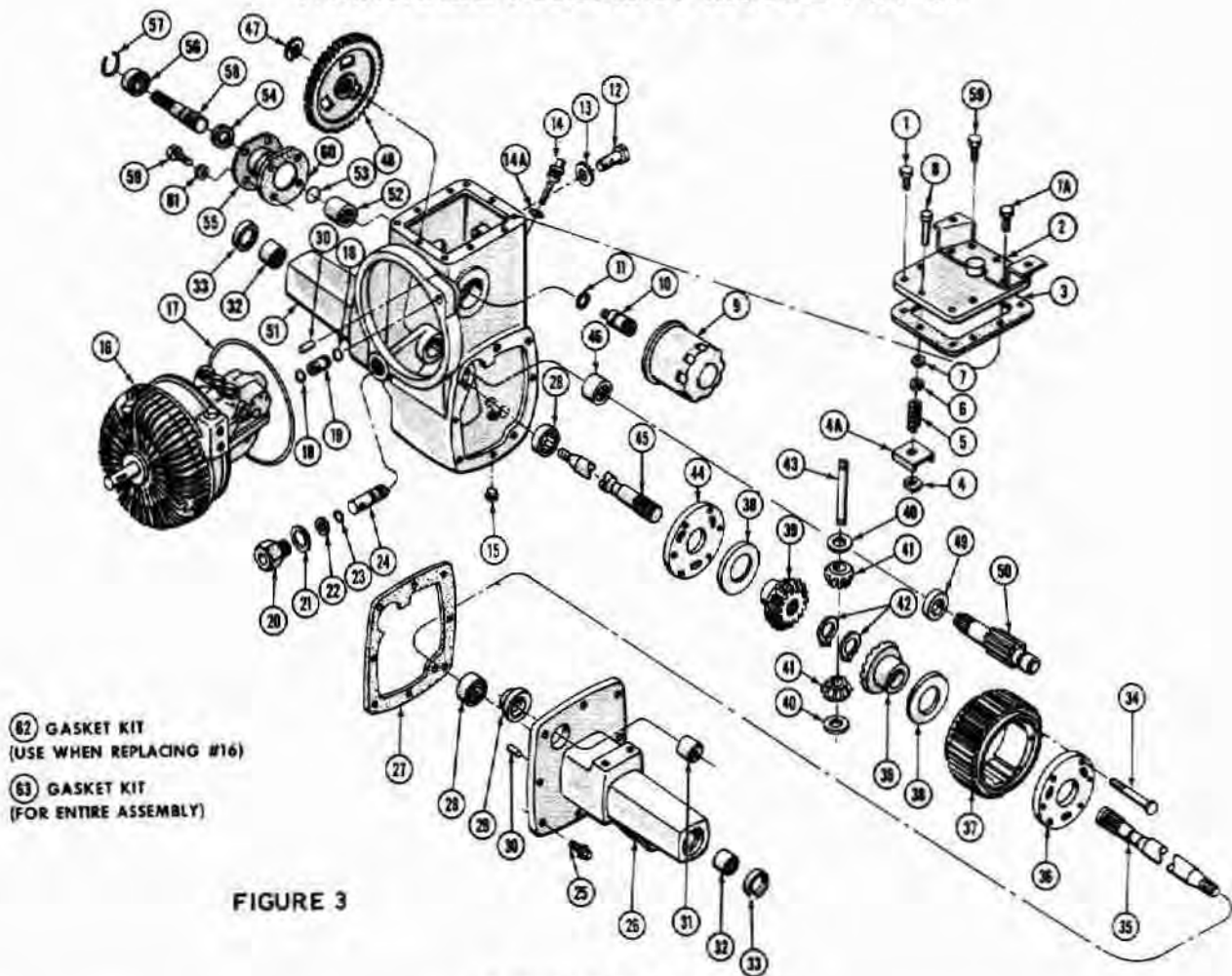


FIGURE 3

Parts List For Figure 3

Ref. No.	Part No.	Description	No. Req'd
1	1720 308	Capscrew 1/4-20 UNC x 5/8	3
1A	1720 287	Capscrew 1/4-20 UNC x 3/4	2
2	1719 851	Cover Service Kit (includes 1A # 3 and 4)	1
3	1719 852	Gasket (Transmission Cover)	1
4	1719 853	Speed Nut	1
4A	1719 854	Deflector	1
5	1719 855	Spring	1
6	1719 856	Washer	1
7	1719 857	Gasket (Button Ass'y)	1
8	1719 858	Button Sub-Assembly	1
9	1719 859	Oil Filter	1
10	1719 860	Filter Stud	1
11	1720 309	O-Ring (Filter Stud)	1
12	1719 861	Capscrew 1/2-13 UNCx2-1/2	1
13	1719 862	Seal Washer (Mounting Bolt)	1
14	1719 863	Dipstick	1
14A	1720 310	O-Ring (Dipstick)	1
15	1720 311	Drain Plug 1/4-18 NPTF	1
*16	1721 536	Hydro Pkg	1
17	1719 865	O-Ring (Transmission Housing)	1
18	1719 866	O-Ring (Connecting Tube)	2
19	1719 867	Tube-Connecting	1
20	1719 868	Bushing (Parking Pawl)	1
21	1719 869	Sealing Washer (Parking Pawl)	1
22	1719 870	Quad-Ring (Parking Pawl)	1
23	1720 312	O-Ring (Parking Pawl)	1

Ref. No.	Part No.	Description	No. Req'd
24	1719 871	Parking Pawl	1
25	1719 872	Capscrew 3/8-16 UNC x 1-1/4 Special	8
26	1719 873	Axle Housing	1
27	1719 874	Gasket (Housing)	1
28	1720 313	Needle Bearing	2
29	1719 875	Spacer	1
30	1719 876	Dowel 5/16 x 3/4	2
31	1720 314	Needle Bearing (Closed End)	1
32	1720 315	Needle Bearing	2
33	1719 877	Oil Seal (Axles)	2
34	1720 316	Capscrew 3/18-16 UNC x 3-1/2	6
35	1719 878	Axle (Left Hand)	1
36	1719 879	Cover (Left Hand)	1
37	1719 880	Ring Gear	1
38	1719 881	Shim .500	AR
38	1720 307	Shim .010	AR
39	1719 882	Side Gear (Differential)	2
40	1719 883	Thrust Washer	2
41	1719 884	Pinion Gear (Differential)	2
42	1720 317	Retaining Ring	2
43	1719 885	Shaft	1
44	1719 886	Cover (Right Hand)	1
45	1719 887	Axle (Right Hand)	1
46	1720 318	Needle Bearing	1
47	1720 319	Bowed "E" Ring	1

TRANSAXLE ASSEMBLY MODEL 1477-01

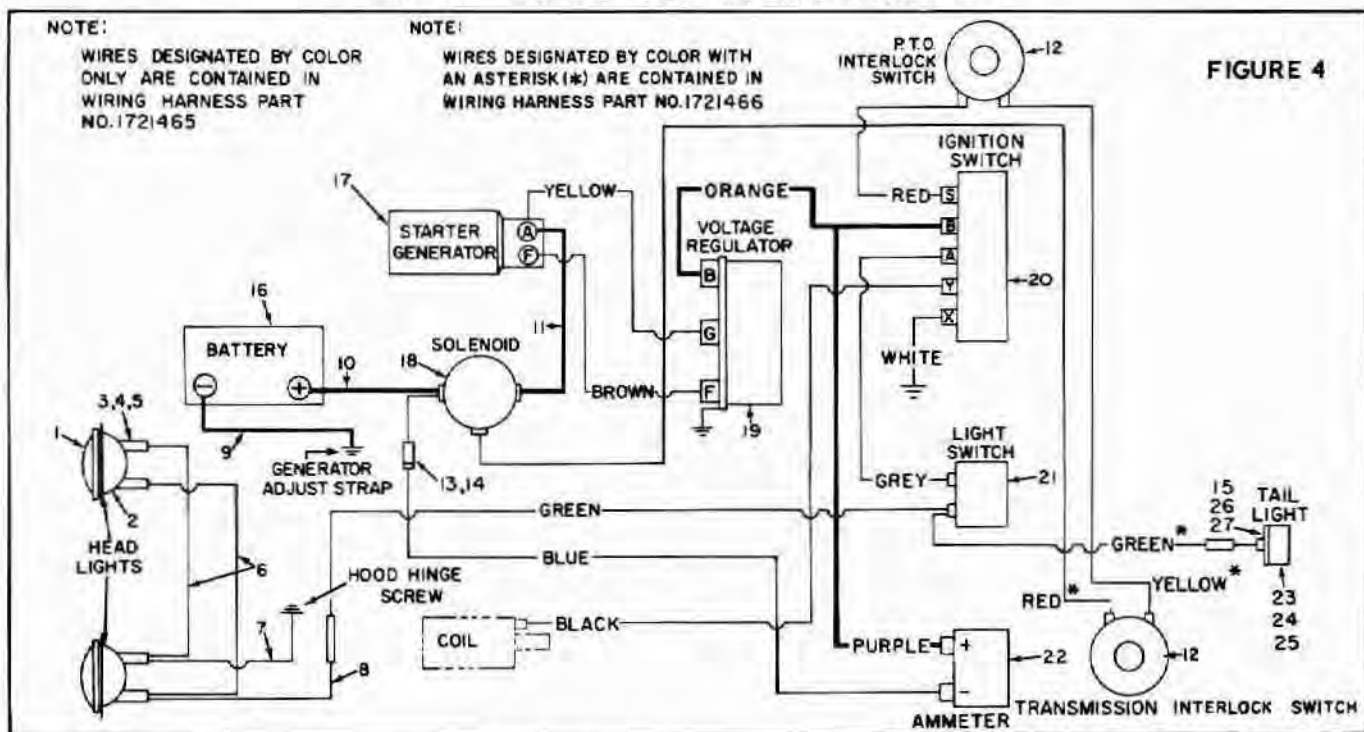
(Parts List For Figure 3) - Continued

Ref. No.	Part No.	Description	No. Req'd
48	1719 888	Bull Gear	1
49	1719 889	Spacer	1
50	1719 890	Intermediate Gear	1
51	1719 891	Transmission Housing Sub-Assembly	1
52	1719 892	Coupling	1
53	1719 893	Snap Ring (Brake Shaft)	1
54	1719 894	Oil Seal (Brake)	1
55	1719 895	Flange Bearing Adapter	1
56	1720 320	Ball Bearing	1
57	1719 896	Snap Ring (Bearing)	1
58	1719 897	Brake Shaft	1

Ref. No.	Part No.	Description	No. Req'd
59	1720 321	Capscrew 5/16-18 UNC x 3/4	7
60	1719 898	Gasket (Brake Flange)	1
61	1719 899	Sealing Washer (Brake Bolts)	4
62	1720 288	Gasket Kit (Use when replacing #16) (Includes #3, 11, 13, 17, 18, 60, 61)	1
63	1720 289	Gasket Kit (For entire assembly) (Includes #14A, 21, 22, 23, 27, 62)	1
	1719 650	Hydrostatic Fluid, 1 gal	
	1721 514	Hydrostatic Fluid, 2-1/2 gal	

* Available only as a complete package

DUAL LIGHT GROUP WIRING DIAGRAM



Parts List For Wiring Diagram Figure 4

Ref. No.	Part No.	Description	No. Req'd
1	**	Headlight Bulb (Mfg No. 4406)	2
2	1719 708	Retainer Ring	2
3	1185 911	Rivet	6
4	1185 746	Spring Clip	6
5	1185 748	Wave Washer	6
6	1717 370	Lead Assembly	2
7	1717 394	Lead Assembly	1
8	1717 369	Lead Assembly	1
9	1719 189	Ground Wire	1
10	1719 190	Positive Wire	1
11	1719 192	Starter Wire	1
12	1720 527	Interlock Switch	2
13	1720 977	Fuse Holder	1
14	1720 976	Fuse 20 AMP	1

Ref. No.	Part No.	Description	No. Req'd
15	1109 764	Hex Nut #6-32	2
16	1718 027	Battery	1
17	1716 169	Starter Generator	1
18	1717 048	Solenoid	1
19	1719 181	Voltage Regulator	1
20	1721 409	Ignition Switch	1
21	1717 256	Light Switch	1
22	1714 146	Ammeter	1
23	1805 342	Taillight Assembly (Incl. Ref. No. 24 & 25)	1
24	**	Bulb (Mfg No. 1895)	1
25	1805 110	Lens Only	1
26	1116 197	Mach. Screw 6-32 x 1/2	2
27	1103 989	Lockwasher #6	2

** Not Stocked. Purchase from your local automotive or electrical supplier.