



Professional G Series

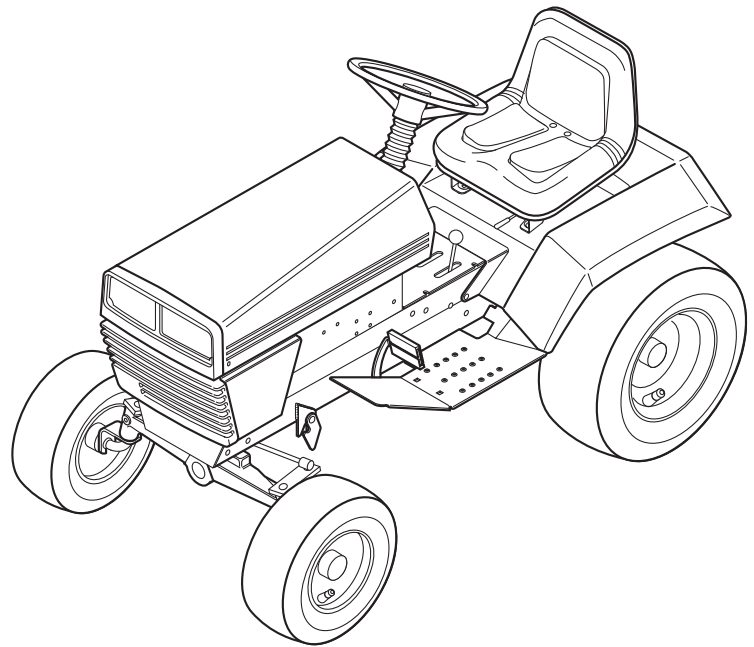
Parts Manual

Models

987070 - G Series

987071 - G Series

987072 - G Series



THE MANUAL

Before you operate your unit, carefully and completely read manuals supplied with the unit. The contents will provide you with an understanding of safety instructions and controls during normal operation and maintenance.

For your safety and the safety of others always read, understand, and follow all DANGER, WARNING, and CAUTION messages found in manuals and on safety decals.

Hardware descriptions are given in decimals.

Decimals to Fractions			
.063	1/16	.563	9/16
.125	1/8	.625	5/8
.188	3/16	.688	11/16
.250	1/4	.750	3/4
.313	5/16	.813	13/16
.375	3/8	.875	7/8
.438	7/16	.938	15/16
.500	1/2	1.00	1

SERVICE AND REPLACEMENT PARTS

When ordering replacement parts or making service inquiries, know the Model and Serial numbers of your unit and engine.

Numbers are located on the product registration card in the unit literature package. They are printed on a serial number label, located on the frame of your unit.

- Record Unit Model and Serial numbers here:

- Record Engine Model and Serial numbers here:

UNAUTHORIZED REPLACEMENT PARTS

Use only Gravelly replacement parts. The replacement of any part on this vehicle with anything other than a Gravelly authorized replacement part may adversely affect the performance, durability, or safety of this unit and may void the warranty. Gravelly disclaims liability for any claims or damages, whether warranty, property damage, personal injury or death arising out of the use of unauthorized replacement parts.

PRODUCT REGISTRATION

A warranty registration card must be filled out, signed, and returned at time of purchase. This card activates the warranty. Claims meeting requirements during limited warranty period will be honored.

YOUR SATISFACTION IS IMPORTANT

Questions? Please follow these helpful steps:

1. Refer to the manuals supplied with your unit.
They will guide you through safe and proper operation and maintenance.
They contain specifications on your unit.
If your questions are not answered in these manuals, go to step number two.
2. Contact Your Dealer.
Our dealers will be happy to supply any service or advice required to keep your unit operating at peak efficiency.
A factory trained staff is available to support your equipment needs. They stock genuine Gravelly parts and lubricants manufactured with the same precision and skill as the original.
If your questions are not resolved by the support staff, ask for the manager or owner.
When contacting your Dealer supply your model and serial numbers.

TO SPEED PARTS ORDERING:

1. Know the model and serial numbers of your unit.
2. Know the part number required.
3. Know the quantity required.
4. Know the part description.

MODELS

Model 987070

16 H.P. Briggs & Stratton with Hydraulic Lift
Serial No. 000101 and up

Model 987071

13.5 HP Robin Engine with Hydraulic Lift
Serial No. 000101 and up

Model 987072

20.5 H.P. Robin with Hydraulic Lift
Serial No. 000101 and up

TABLE OF CONTENTS

DECALS

Decals	4
------------------	---

TRANSMISSION

Transmission	6
Number One Shaft - Forward Clutch	7
Number Two Shaft - Reverse Clutch	8
Number Three Shaft - 3rd and 4th Gear	9
Number Four Shaft - Idler	9
Number Five Shaft - 1st and 2nd Gear	9
Number Six Shaft - Brake/Sliding Gear	10
Number Seven Shaft - Pinion/Final Drive.	11
Number Eight Shaft - Differential Assembly.	11
Number Nine Shaft - PTO Clutch.	12
Number Ten Shaft - PTO Drive Assembly	13
Number Eleven - Fwd-Rev Clutch Assembly	13
Number Twelve - Transmission Case Assembly.	14
Number Thirteen Transmission Cover	15

FRAME, DECK, SEAT AND WHEELS

Frame	16
Hood and Grille	18
Rear Deck and Seat.	20
Rear Hitch	22
Front and Rear Wheels	23

HYDRAULICS

Manual Lift	24
Hydraulic System	25

STEERING

Steering - 13.5 & 16 HP Units	26
Steering - 20.5 HP Units	28
Direction Control	30
Transmission Controls	32
Brake Linkage	34

ENGINE, FUEL AND EXHAUST

Robin -13.5 HP Units	36
Briggs and Stratton - 16 HP Units	38
Robin - 20.5 HP Units	40

ELECTRICAL

Electrical System	42
Continuity Diagrams.	44
Wiring Diagrams.	45

DECALS

Model 987070, 071, 072

1

ALTERNATOR ELECTRICAL SYSTEM
12 VOLT NEGATIVE GROUND
DO NOT REVERSE BATTERY CONNECTIONS. DISCONNECT REGULATOR WHEN WELDING ON EQUIPMENT OR QUICK CHARGING BATTERY.

3

PROFESSIONAL 16G 4 WHEEL TRACTOR

7

Gravely

2

SAFETY FIRST

READ THE OPERATOR MANUAL BEFORE OPERATING THIS EQUIPMENT. ALWAYS WEAR YOUR SEATBELT AND SAFETY BELT. ALWAYS WEAR YOUR SHOES AND GLOVES. ALWAYS WEAR YOUR SAFETY GLASSES. ALWAYS WEAR YOUR HEARING PROTECTION. ALWAYS WEAR YOUR PROTECTIVE CLOTHING. ALWAYS WEAR YOUR PROTECTIVE EQUIPMENT. ALWAYS WEAR YOUR PROTECTIVE DEVICES.

LEFT BRAKE CONTROL

RIGHT BRAKE CONTROL

FORWARD

REVERSE

WARNING

DO NOT OPERATE THIS EQUIPMENT WITHOUT THE PROPER TRAINING AND CERTIFICATION. ALWAYS WEAR YOUR SEATBELT AND SAFETY BELT. ALWAYS WEAR YOUR SHOES AND GLOVES. ALWAYS WEAR YOUR SAFETY GLASSES. ALWAYS WEAR YOUR HEARING PROTECTION. ALWAYS WEAR YOUR PROTECTIVE CLOTHING. ALWAYS WEAR YOUR PROTECTIVE EQUIPMENT. ALWAYS WEAR YOUR PROTECTIVE DEVICES.

TO USE THE BRAKE LOCK

1. PULL UP THE BRAKE LOCK LEVER.

2. HOLD THE BRAKE LOCK LEVER UP FOR 5 SECONDS.

3. THE BRAKE LOCK IS ENGAGED.

4

CAUTION

DO NOT OPERATE UNLESS ALL GUARDS, SHIELDS AND COVERS ARE IN PLACE

5

10-MINUTE MAINTENANCE INSTRUCTIONS

SEE OPERATOR MANUAL FOR FULL INSTRUCTIONS

ENGINE: CHECK OIL DAILY. CHECK OIL LEVEL EVERY 200 HOURS. SEE ENGINE MANUAL FOR OIL SPECIFICATIONS. REEF ENGINE OIL DAILY AND OIL LEVEL.

AIR CLEANER: CHECK DAILY OR EVERY 2 HOURS. REPLACE ELEMENT WHEN CLOGGED OR EVERY 200 HOURS.

TRANSMISSION: CHECK OIL LEVEL EVERY 200 HOURS. CHECK AIR BLOW BY SERVICE. FILL TO CHECK LEVEL. PLUS WHEN SAE 10W/60.

HYDRAULIC SYSTEM: CHECK HYDRAULIC FLUID EVERY 200 HOURS OR AT ANY SIGN OF LEAKAGE.

DEC.	LUBRICATION	QTY.	DESCRIPTION-LOCATION	INTERNAL
1	GREASE	20	MOVING SPINDLE	YES
2	GREASE	1	STEERING SPINDLE	●
3	GREASE	2	STEERING PINN	●
4	GREASE	2	STEERING ARM	●
5	GREASE	2	STEERING COLLAR	●
6	GREASE	2	WHEEL BEARING	●
7	GREASE	2	HAZARD	●
8	GREASE	2	WHEEL BEARING	●
9	GREASE	1	HAZARD SPINDLE	●
10	GREASE	1	SLIP SPIN	●
11	GREASE	2	ELECTRIC FRONT	●
12	ALL		ALL JOINTS	●

IMPORTANT: USE STEERING SHAFT GREASE

● GREASE EVERY 500 HRS.

● BY WOWER DECK ONLY

THESE PRESSURES: FRONT 14-16 PSI (1.0-1.1 MPa)

6

Gravely

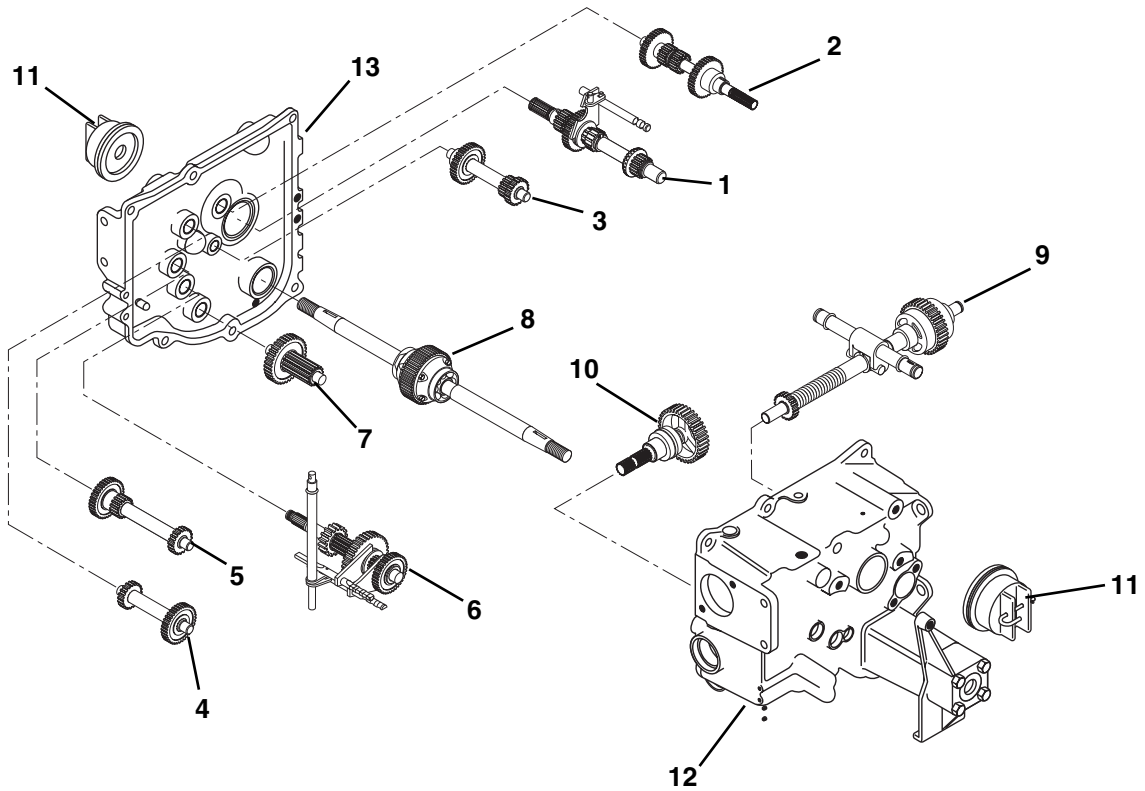
DECALS

Model 987070, 071, 072

Item	Part No.	Qty.	Description
1	011989	1	Decal-E-System Warning
2	07725300	1	Decal-G Series Cover Plate (071)
	07725400	1	Decal-G Series Cover Plate (070, 072)
3	07741000	1	Decal-Model 14-G (071)
	07741100	1	Decal-Model 16-G (070)
	07741200	1	Decal-Model 20-G (072)
4	053131	1	Decal-Caution
5	07716800	1	Decal-G-Series Maintenance
6	07740900	1	Decal-Hood, G-Series (L.H.)
	07740800	1	Decal-Hood, G-Series (R.H.)
7	07741300	1	Decal-Rear Deck

TRANSMISSION

Model 987070, 071, 072

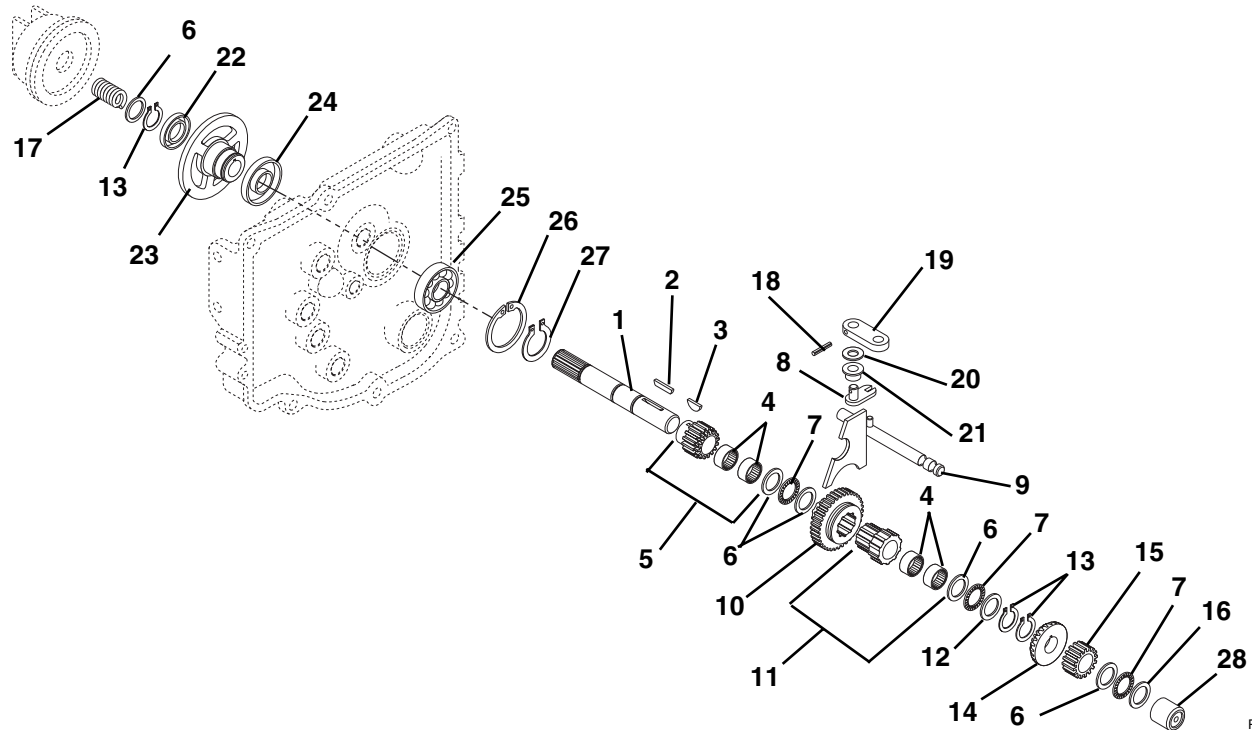


PJ0061

Item	Part No.	Qty.	Description
1	Page 7		No. 1 Shaft-Forward Clutch
2	Page 8		No. 2 Shaft-Reverse Clutch
3	Page 9		No. 3 Shaft-3rd and 4th Gear
4	Page 9		No. 4 Shaft-Idler
5	Page 9		No. 5 Shaft-1st and 2nd Gear
6	Page 10		No. 6 Shaft-Brake-Sliding Gear
7	Page 11		No. 7 Shaft-Pinion-Final Drive
8	Page 11		No. 8 Shaft-Differential Assembly
9	Page 12		No. 9 Shaft-PTO Clutch
10	Page 13		No. 10 Shaft-PTO Drive Assembly
11	Page 13		No. 11 Fwd-Rev Clutch Assembly
12	Page 14		No. 12 Transmission Case Assembly
13	Page 15		No. 13 Transmission Cover Assembly

NUMBER ONE SHAFT - FORWARD CLUTCH

Model 987070, 071, 072

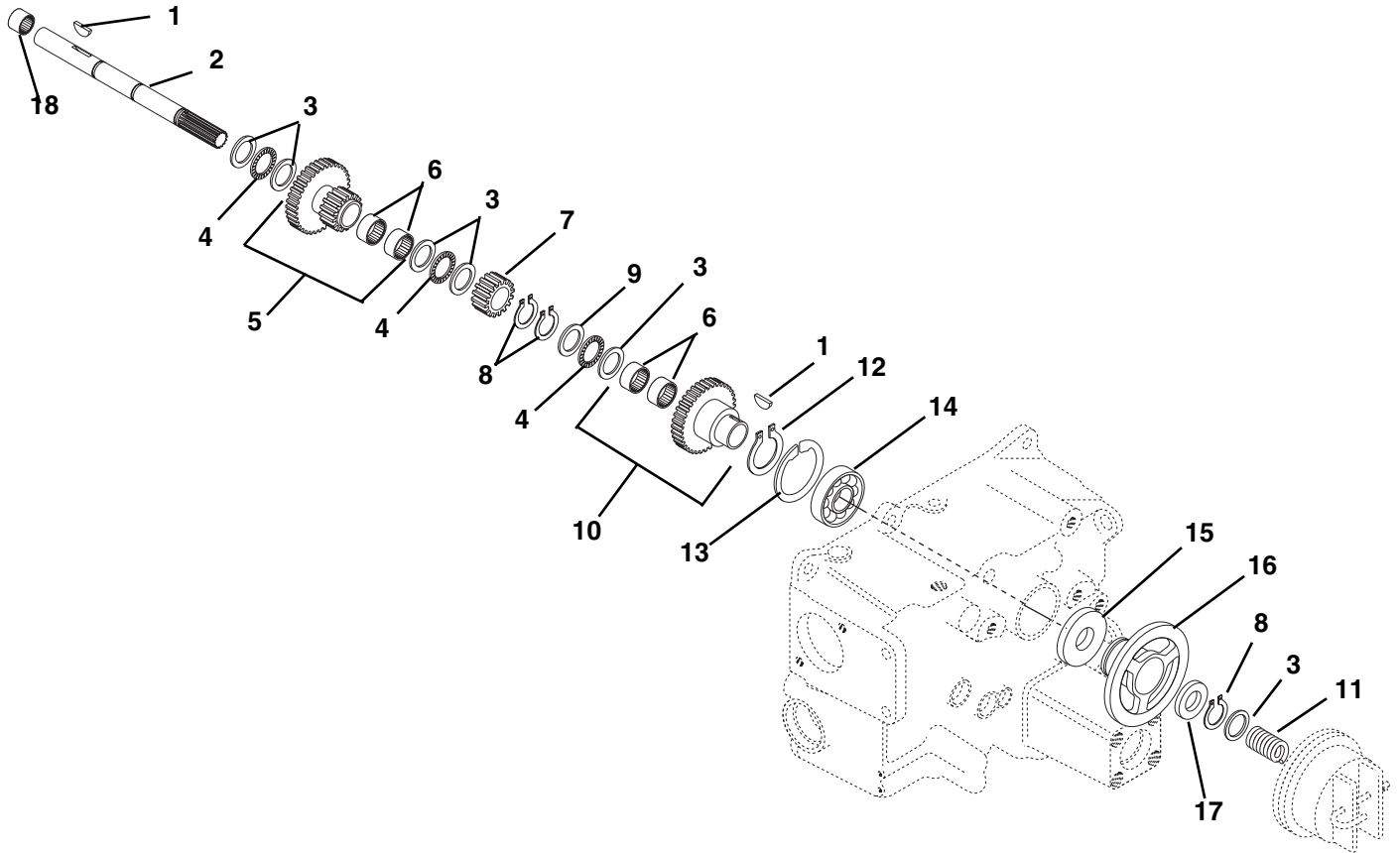


PJ0071

Item	Part No.	Qty.	Description
1	046371	1	Shaft, Forward Clutch
2	117989	1	Key, Woodruff .19 x 1.25
3	431787	1	Key, Woodruff .19 x .63
4	017949	4	Bearing, Roller .75 x 1.00 x .50
5	018025	1	Assembly, Gear and Bearing
6	036407	5	Washer, Hardened-Thrust .76 x 1.23 x .031
7	006741	3	Bearing, Needle Thrust .75 x 1.24 x .078
8	017926	1	Weldment, Shifter
9	020755	1	Weldment, Shift Rail
10	018011	1	Gear, Spur 2SP 10 Diametral Pitch 36 Teeth
11	018007	1	Assembly, Gear and Bearing
12	006742	1	Washer, Thrust Hardened .75 x 1.24 x .062
13	011135	3	Ring, Retaining-Internal .75 x .042
14	051320	1	Gear, Bevel
15	018003	1	Gear, 10 Diametral Pitch 16 Teeth x .75
16	06413300	1	Washer, Hardened-Thrust .76 x 1.25 x .094
17	020444	1	Spring-Compression .085 x .80 x 1.00
18	421202	1	Pin-Roll .19 x 1.00
19	017929	1	Arm, Shifter
20	021141	1	Washer-Felt .44 x 1.00 x .031
21	017925	1	Bushing, Flange-Bronze .63 x .50 x 1.00
22	018035	1	Seal .75 x 1.63 x .25
23	050604	1	Hub, Clutch
24	046323	1	Seal 2.25 x 3.25 x .38
25	046321	1	Bearing-Ball 1.97 x 3.54 x .80
26	046322	1	Ring-Retaining-Internal 3.54 x .11
27	017919	1	Ring-Retaining-External 1.82 x .062
28	017913	1	Bearing-Needle .75 x 1.00 x .75

NUMBER TWO SHAFT - REVERSE CLUTCH

Model 987070, 071, 072



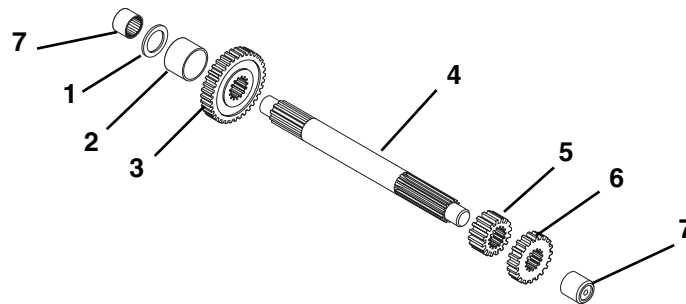
PJ0081

Item	Part No.	Qty.	Description
1	431787	2	Key-Woodruff .19 x .63
2	034730	1	Shaft, Splined Reverse Clutch
3	036407	6	Washer-Hardened-Thrust .76 x 1.23 x .031
4	006741	3	Bearing-Needle Thrust .75 x 1.24 x .078
5	018020	1	Gear,Idler Assembly
6	017949	4	Bearing-Roller .75 x 1.0 x .50
7	018003	1	Gear,10 Diametral Pitch 16 Teeth x .75
8	011135	3	Ring-Retaining-Internal .75 x .042
9	006742	1	Washer-Thrust-Hardened .75 x 1.24 x .062
10	017947	1	Assembly, Reverse Gear and Bearing
11	020444	1	Spring-Compression .09 x .80 x 1.00
12	017919	1	Ring-Retaining-External 1.82 x .062
13	018872	1	Ring-Retaining-Internal 3.52 x .11
14	017915	1	Bearing-Ball 1.97 x 3.14 x .63
15	017917	1	Seal 2.25 x 3.00 x .38
16	051555	1	Hub,Clutch
17	018035	1	Seal .75 x 1.63 x .25
18	011063	1	Bearing-Needle .75 x 1.00 x .75

NUMBER THREE, FOUR AND FIVE SHAFTS

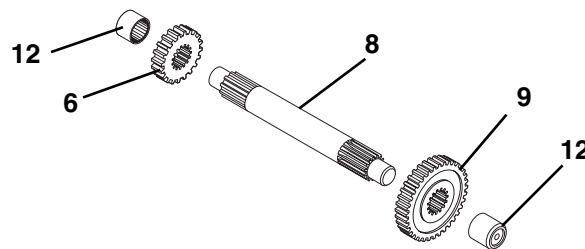
Model 987070, 071, 072

NUMBER THREE - 3RD AND 4TH GEAR



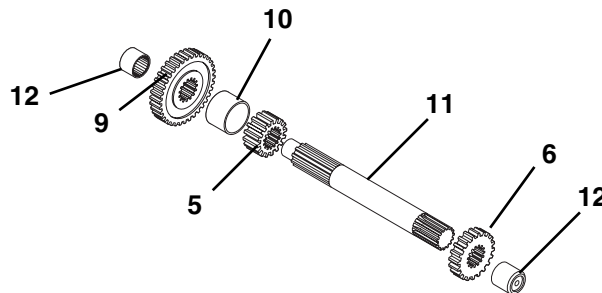
PJ0091

NUMBER FOUR - IDLER



PJ0101

NUMBER FIVE - 1ST AND 2ND GEAR

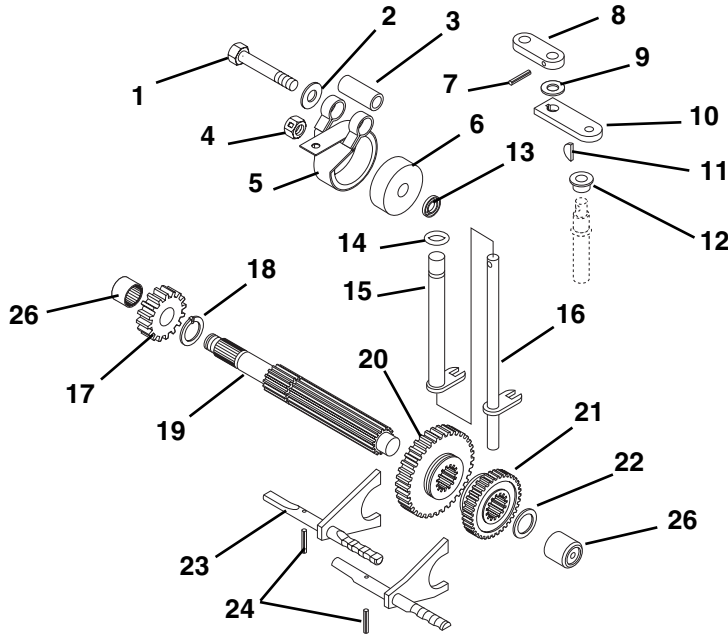


PJ0111

Item	Part No.	Qty.	Description
1	018000	1	Washer-Thrust .06 x 1.15 x .093
2	017999	1	Bushing-Sleeve Steel 1.03 x 1.13 x .46
3	019535	1	Gear
4	017997	1	Shaft, Splined
5	017992	2	Gear, 10 Diametral Pitch 16 Teeth x .75
6	015118	3	Gear, 10 Diametral Pitch 20 Teeth x .60
7	017914	1	Bearing-Needle .63 x .81 x .75
8	017995	1	Shaft, Splined
9	015115	2	Gear, 10 Diametral Pitch 30 Teeth x .50
10	017993	1	Bushing-Sleeve Steel 1.03 x 1.13 x 1.13
11	017989	1	Shaft, Splined
12	017913	4	Bearing-Needle .75 x 1.00 x .75

NUMBER SIX SHAFT - BRAKE / SLIDING GEAR

Model 987070, 071, 072



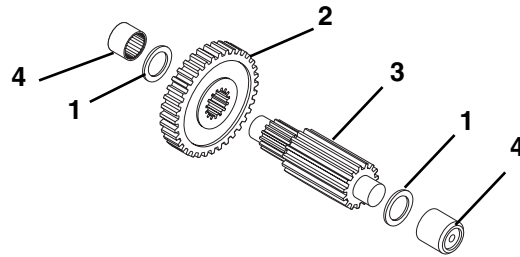
PJ0121

Item	Part No.	Qty.	Description
1	05965500	1	Bolt-Hex .50-13 x 2.75 Grade 5
2	06441900	1	Washer-Flat-Steel .53 x 1.06 x .095
3	018165	1	Bushing-Sleeve Steel .55 x .75 x 2.06
4	06535300	1	Nut-Locking-Center .62-11
5	040732	1	Assembly, Brake Band
6	021371	1	Drum-Brake
7	421202	1	Pin-Roll .19 x 1.00
8	017945	1	Arm, Shifter
9	021141	1	Washer-Felt .44 x 1.00 x .031
10	017944	1	Arm, Shifter
11	271089	1	Key-Woodruff Hard .13 x .38 Hard
12	017943	1	Bushing-Flange Bronze .76 x 1.13 x .75
13	015137	1	Seal .75 x 1.25 x .136
14	018018	1	O-Ring .625 x .75 x .062
15	017940	1	Weldment, 1st and 3rd Shifter
16	017937	1	Weldment, 2nd and 4th Shifter
17	014988	1	Gear, 8 Diametral Pitch 16 Teeth x .85
18	014987	1	Ring-Retaining External .92 x .125
19	021370	1	Shaft, Slide Gear
20	014989	1	Gear, Sliding 10 Diametral Pitch 36 Teeth x .59
21	014995	1	Gear, Sliding 10 Diametral Pitch 30 Teeth x .59
22	06413300	1	Washer-Hardened-Thrust .76 x 1.25 x .094
23	020761	1	Weldment, Rail Shift Fork 1 and 3
24	456384	2	Pin-Roll .25 x .75
25	020762	1	Weldment, Rail Shift Fork 2 and 4
26	017913	2	Bearing-Needle .75 x 1.00 x .75

NUMBER SEVEN AND EIGHT SHAFTS

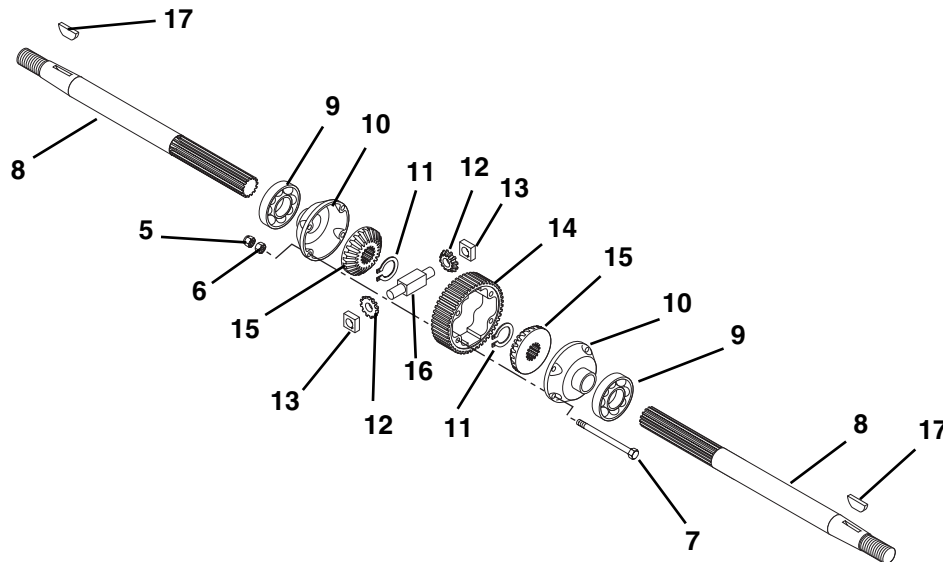
Model 987070, 071, 072

NUMBER SEVEN -PINION / FINAL DRIVE



PJ0131

NUMBER EIGHT - DIFFERENTIAL ASSEMBLY

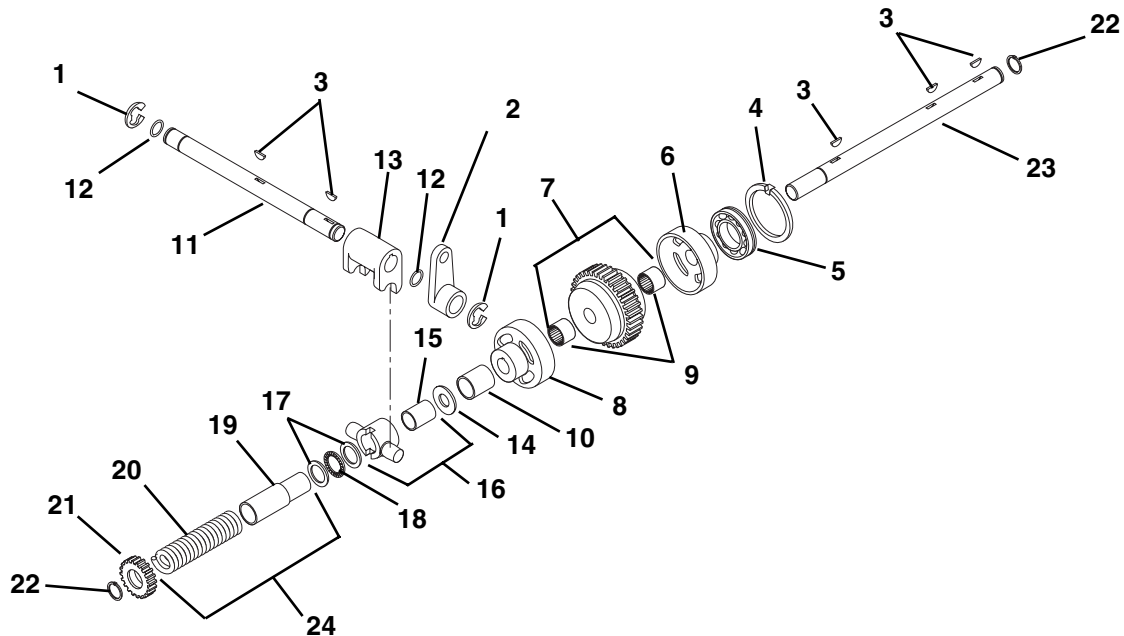


PJ0141

Item	Part No.	Qty.	Description
1	019340	2	Washer-Hardened-Thrust 1.00 x 1.55 x .03
2	017987	1	Gear, 8 Diametral Pitch 30 Teeth x .75
3	017986	1	Pinion / Final Drive
4	017912	1	Bearing-Needle 1.00 x 1.25 x .75
5	06529800	4	Nut-Locking-Center .31-18
6	020514	4	Nut-Hex .31-18 Grade 8
7	023712	4	Bolt-Hex .31-18 x 2.75 Grade 8
8	050116	2	Axle, Bevel Gear Differential
9	046014	2	Bearing-Ball 1.57 x 2.68 x .59
10	046013	2	Cap, Differential End
11	021608	2	Ring-Retaining-External 1.15 x .093
12	019952	2	Pinion Bevel
13	046376	2	Block, Drive
14	023531	1	Gear, Final Drive
15	046012	2	Gear, Bevel
16	019954	1	Pin, Spider Pinion
17	431787	2	Key-Woodruff .19 x .63

NUMBER NINE SHAFT - PTO CLUTCH

Model 987070, 071, 072



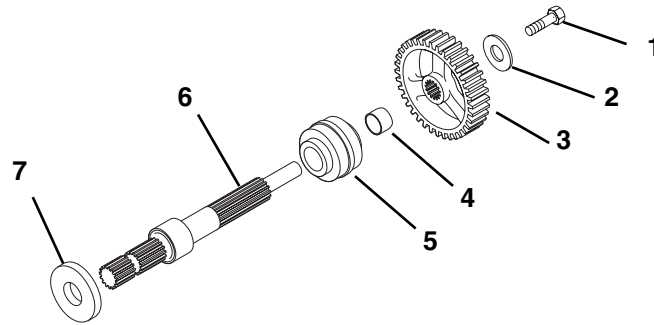
PJ0151

Item	Part No.	Qty.	Description
1	011270	2	Ring-Retaining-External .57 x .05
2	018019	1	Lever,PTO
3	124549	5	Key-Woodruff .19 x .75
4	017966	1	Ring-Retaining-External 1.38 x 1.30
5	017967	1	Bearing-Ball 1.38 x 2.44 x .55
6	017952	1	Cup, Clutch
7	017953	1	Assembly, Clutch Cone Bearing
8	017957	1	Cup, Clutch
9	017949	2	Bearing-Roller .75 x 1.00 x .50
10	017958	1	Bushing-Sleeve Steel .891 x 1.00 x 1.21
11	018017	1	Shaft, PTO Yoke
12	018018	2	O-Ring .63 x .75 x .062
13	018016	1	Yoke, PTO
14	06413300	1	Washer-Hardened-Thrust .76 x 1.25 x .094
15	017962	1	Bushing-Sleeve 1.00 x 1.12 x 1.00
16	017960	1	Assembly, Shifting Collar
17	017959	2	Washer-Thrust 1.55 x 1.00 x .093
18	011225	1	Bearing-Needle-Thrust 1.00 x 1.55 x .078
19	034194	1	Sleeve, PTO Throw-Out
20	034193	1	Spring-Compression .19 x 5.50
21	017965	1	Gear, Spur PTO 10 Diametral Pitch 22 Teeth
22	015733	2	Ring-Retaining .70 x .93
23	017951	1	Shaft, PTO Clutch
24	58701400	AR	Kit, Sleeve and Spring

NUMBER TEN AND ELEVEN SHAFTS

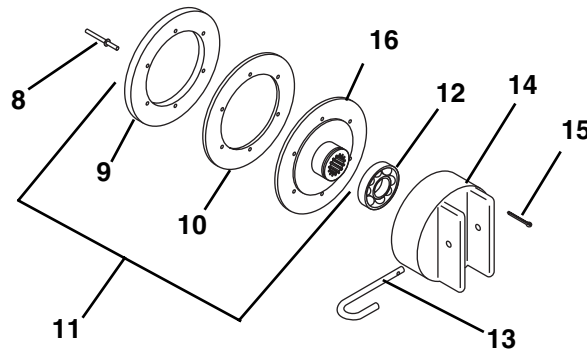
Model 987070, 071, 072

NUMBER TEN SHAFT - PTO DRIVE ASSEMBLY



PJ0162

NUMBER ELEVEN - FORWARD / REVERSE CLUTCH ASSEMBLY

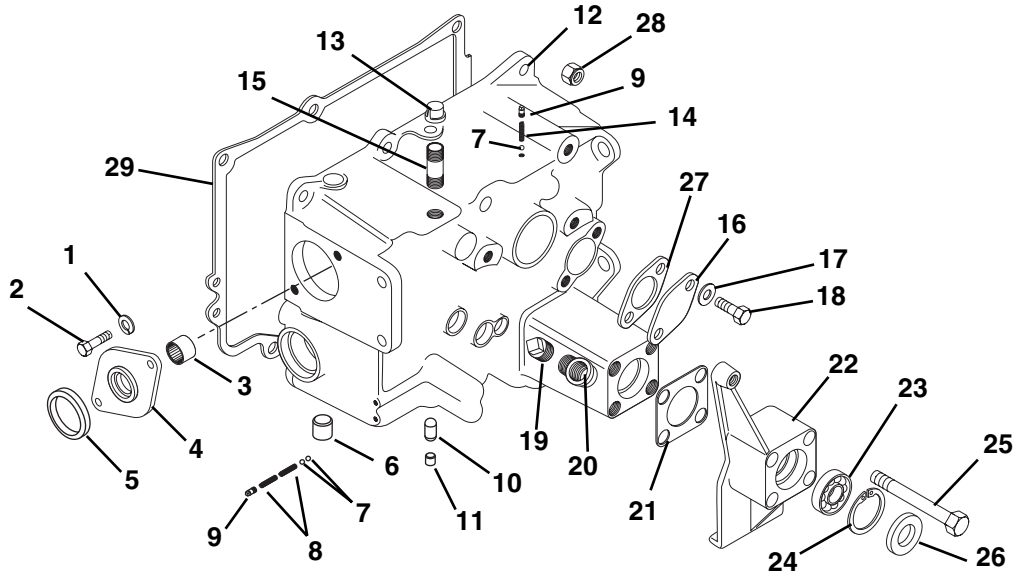


PJ0170

Item	Part No.	Qty.	Description
1	05968600	1	Bolt-Hex .50-20 x 1.50
2	06442800	1	Washer-Flat-Steel .66 x 1.31 x .095
3	017922	1	Gear, Spur PTO 10 Diametral Pitch 56 Teeth
4	017924	1	Bushing-Sleeve Steel 1.06 x 1.38 x 1.38
5	014640	1	Bearing-Assembly 1.00 x 1.98 x 1.24
6	04902800	1	Shaft, PTO
7	017923	1	Seal 1.38 x 2.13 x .32
8	044141	1	Rivet (Bag of 50 - 041608)
9	040692	2	Lining, Clutch
10	042481	2	Ring, Clutch
11	042482	2	Assembly, Clutch and Ring
12	035330	2	Bearing-Ball 1.57 x 3.15 x .71
13	035681	2	Pin, Clutch Spring
14	034734	2	Trunion, Forward-Reverse Clutch
15	06707500	2	Pin-Cotter .06 x .75
16	042482	2	Disc, Clutch

NUMBER TWELVE - TRANSMISSION CASE ASSEMBLY

Model 987070, 071, 072

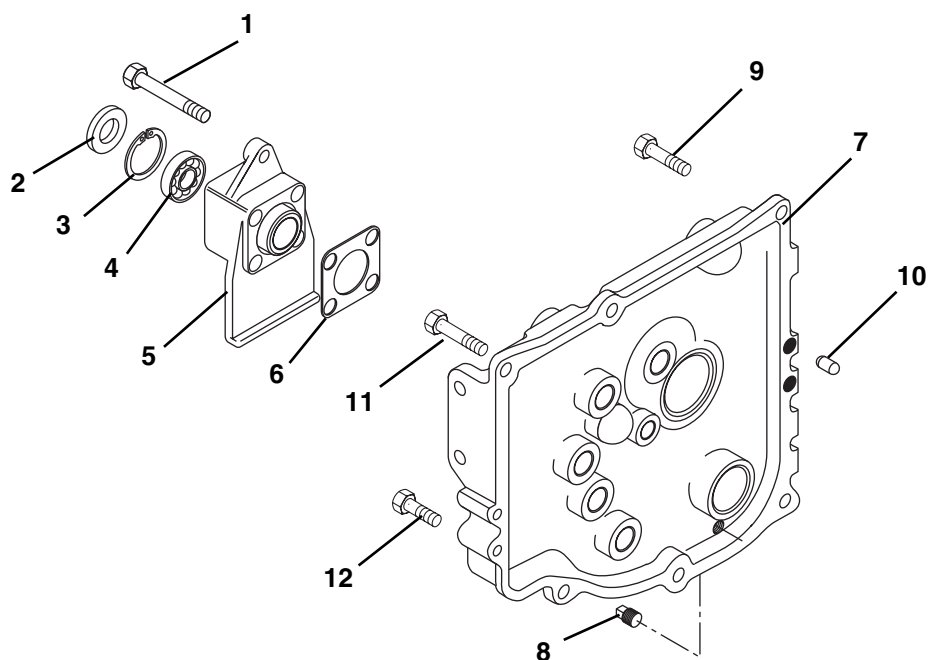


PJ0181

Item	Part No.	Qty.	Description
1	06308600	2	Washer-Locking .31 x .078
2	05946900	2	Bolt-Hex .31-18 x 1.00 Grade 5
3	009660	1	Bearing-Needle .75 x 1.00 x .50
4	046302	1	Cap, Front PTO
5	015137	1	Seal .75 x 1.25 x .136
6	07704100	1	Plug, Cup .50
7	274301	5	Ball .31
8	017936	4	Spring-Compression .045 x .30 x 1.50
9	103877	3	Plug-Pipe .12 Square Head Unfinished Steel
10	018200	1	Pin, Interlock
11	421743	1	Plug, Cup .38
12	050115	1	Assembly, Transmission Case
13	019472	1	Cap, Pipe .50 NPT
14	024772	1	Spring-Compression .045 x .30 x .94
15	07024300	1	Nipple, Pipe .50 x 2.50 Unfinished Steel
16	018421	1	Plate, Cover
17	06436200	2	Washer-Flat-Steel .41 x .81 x .065
18	05959400	2	Bolt-Hex .38-16 x .75 Grade 5
19	07023900	1	Plug-Pipe .50 Square Head Unfinished Steel
20	07024000	1	Elbow .50 x 90 Straight Unfinished
21	018030	1	Gasket
22	042976	1	Retainer, Axle Bearing
23	050743	1	Bearing Ball 1.25 x 2.25 x .50
24	018812	1	Ring-Retaining-External 2.49 x .078
25	05960000	4	Bolt-Hex .50-13 x 3.25 Grade 5
26	051096	1	Seal 1.25 x 2.25 x .50
27	08702700	1	Gasket, Cover Plate
28	06529600	6	Nut-Locking-Center .38-16
29	018027	1	Gasket-Transmission Cover

NUMBER THIRTEEN - TRANSMISSION COVER ASSEMBLY

Model 987070, 071, 072

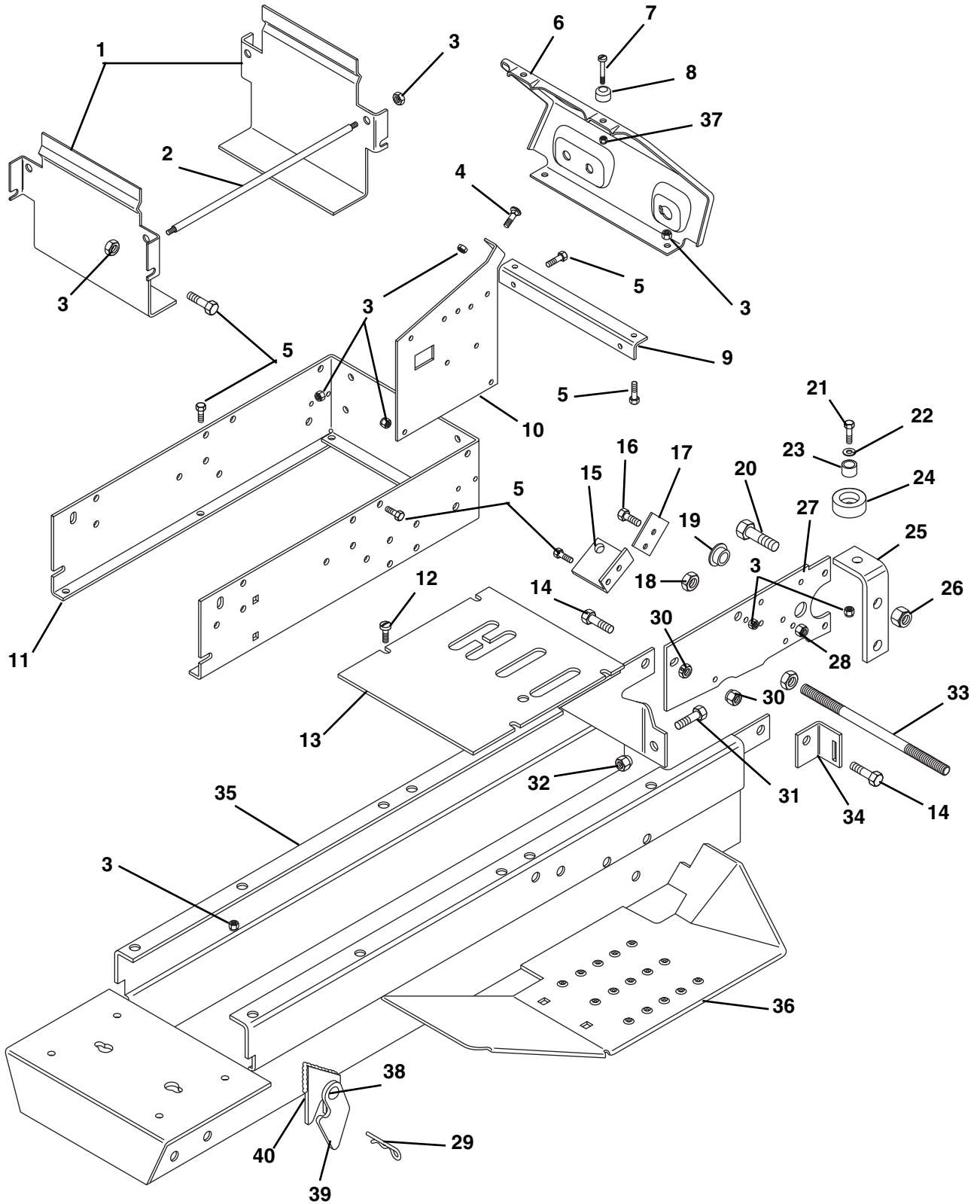


PJ0190

Item	Part No.	Qty.	Description
1	05960000	4	Bolt-Hex .50-13X3.25 Grade 5
2	051096	1	Seal 1.25 x 2.25 x .50
3	018812	1	Ring-Retaining-External 2.49 x .078
4	050473	1	Bearing-Ball 1.25 x 2.25 x .50 Sealed
5	046061	1	Axle Bearing Retainer
6	018030	1	Gasket
7	050117	1	Assembly, Transmission Cover
8	070238	1	Plug-Pipe .38 Square Head Unfinished Steel
9	05963300	2	Bolt-Hex .38-16 x 2.00 Grade 5
10	018089	2	Pin-Dowel .38 x .63
11	05962900	2	Bolt-Hex .38-16 x 2.25 Grade 5
12	05957900	4	Bolt-Hex .38-16 x 1.50 Grade 5

FRAME

Model 987070, 071, 072



PJ0200

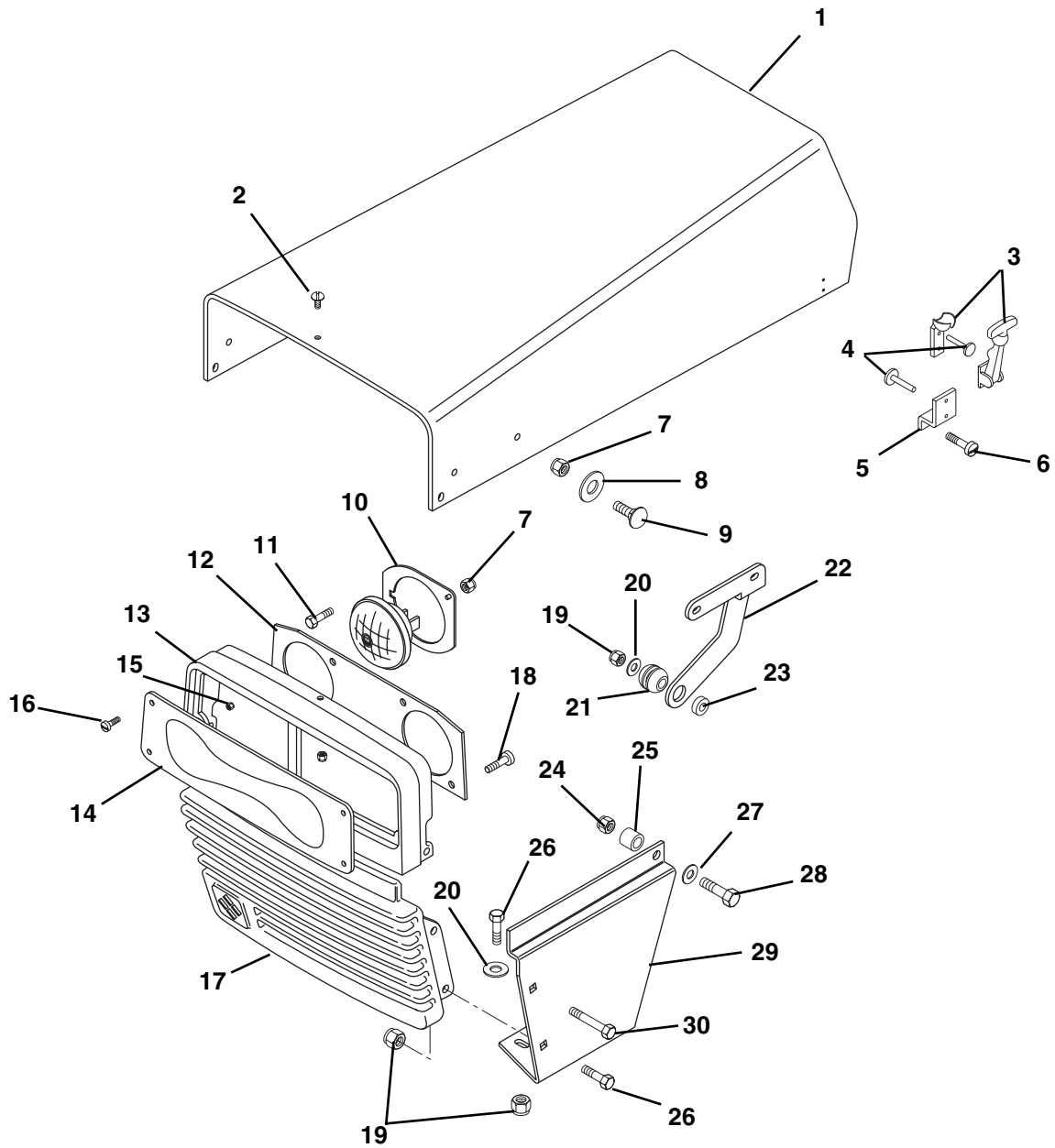
FRAME

Model 987070, 071, 072

Item	Part No.	Qty.	Description
1	087815	2	Tank Support
2	090378	2	Rod, Tank
3	06529700	26	Nut-Locking-Center .25-20
4	06114400	2	Screw-Machine .25-20 x .75
5	05946800	18	Bolt-Hex .25-20 x .75 Grade 5
6	08759401	1	Instrument Panel
	077255	1	Decal, G Series Instructions Panel
7	06117900	2	Screw-Machine 6-32 x .75 Hex Washer Head
8	018183	2	Bumper
9	040548	1	Bracket, Instrument Panel
10	040449	1	Bracket, Instrument Panel Left Hand
	040450	1	Bracket, Instrument Panel Right Hand
11	041240	1	Support Instrument
12	07414200	4	Screw-Tapping .25-20 x .75 Hex Washer Head
13	039875	1	Plate, Control Cover
	077254	1	Decal, G-Series Cover Plate (071)
	077253	1	Decal, G-Series Cover Plate (070, 072)
14	05958000	2	Bolt-Hex .38-16 x 1.25 Grade 5
15	046305	1	Bracket, Interlock Switch
16	05947000	4	Bolt-Hex .31-18 x .75 Grade 5
17	040822	2	Bracket, Bushing Lock
18	06537300	4	Nut-Hex .50-13
19	010174	2	Bushing-Flange Nylon .76 x 1.00 x .58 x 1.48
20	05962000	4	Bolt-Hex .50-13 x 1.50 Grade 5
21	05947400	2	Bolt-Hex .25-20 x 1.25 Grade 5
22	06435800	2	Washer-Flat-Steel .31 x .73 x .065
23	034723	2	Bushing-Sleeve Steel .27 x .38 x.25
24	024357	2	Bumper, Seat
25	045594	2	Bracket, Rear Hitch
26	06536300	2	Nut-Locking-Center .50-13
27	052662	2	Plate, Forward-Reverse Mounting
28	06529800	4	Nut-Locking-Center .31-18
29	06714000	4	Pin-Hair-Internal .15 x 2.94
30	06529600	2	Nut-Locking-Center .38-16
31	05968600	4	Bolt-Hex .50-20 x 1.50
32	06535000	4	Nut-Lug .50-20
33	040207	1	Rod, Frame External Brace
34	046306	1	Bracket,Fender Hold-Up
35	045235	1	Weldment, Frame
36	021087	AR	Weldment, Mower Bracket Right Hand
	021088	AR	Weldment, Mower Bracket Left Hand
37	06538900	2	Nut-Locking-Nylon 6-32 with Insert
38	451953	2	Rivet-Solid .50 x .81
39	08584200	2	Latch, Attachment
40	08722100	2	Plate,Mower Bracket

HOOD AND GRILLE

Model 987070, 071, 072



PJ0040

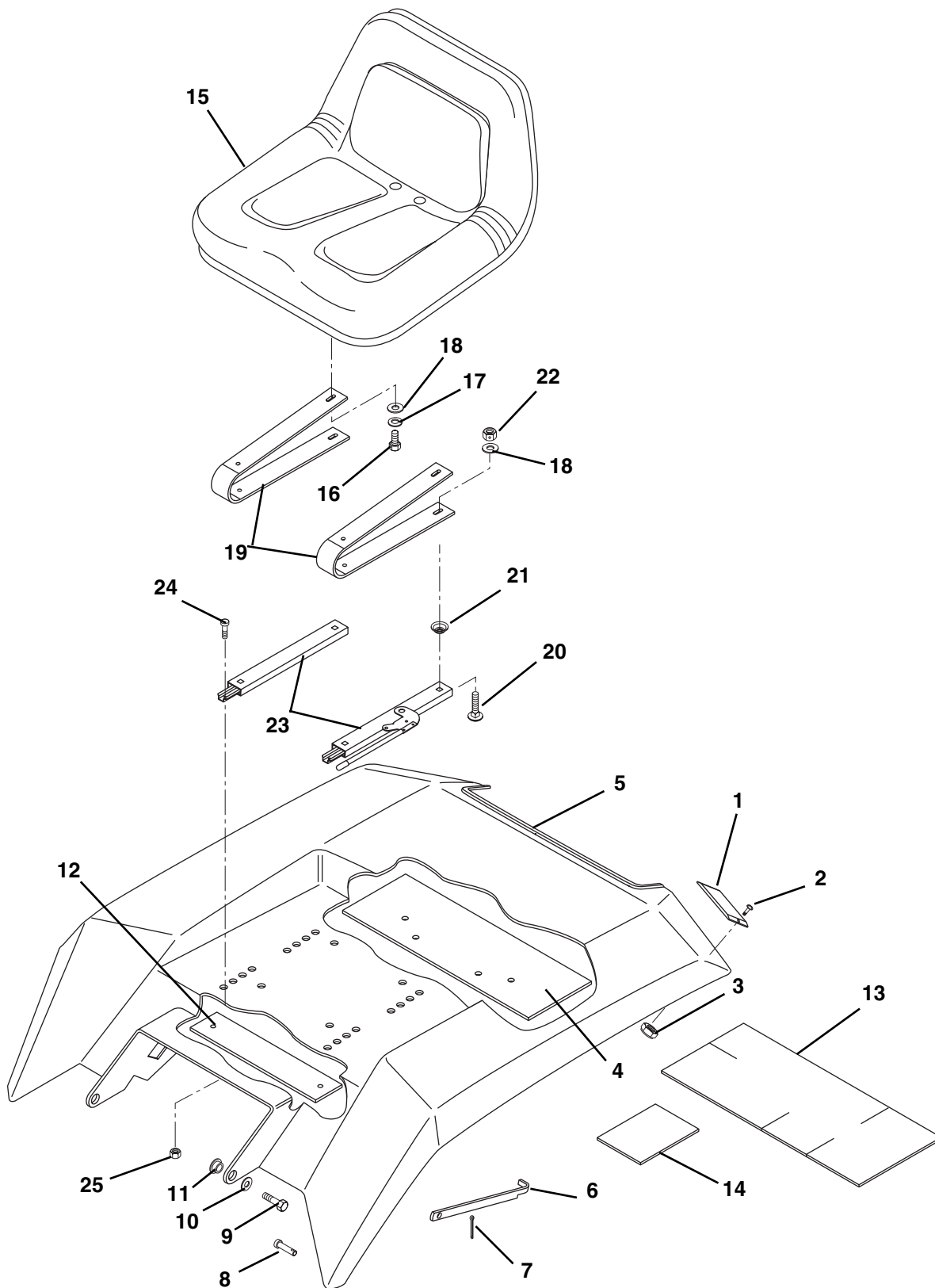
HOOD AND GRILLE

Model 987070, 071, 072

Item	Part No.	Qty.	Description
1	038674	1	Hood, Tractor
2	06114400	3	Screw-Machine .25-20 x .75
3	035294	2	Latch, Flexible
4	011884	6	Rivet-Pop .125 x .23
5	039828	2	Bracket, Hood Latch Mounting
6	07415600	4	Screw-Tapping 8-32 x .50 Hex Washer Head
7	06529700	11	Nut-Locking-Center .25-20
8	06437300	4	Washer-Flat-Steel .28 x .62 x .065
9	06219900	4	Bolt-Round Head Square Neck .25-20 x .75 Grade 5
10	039070	2	Ring, Head Light Retainer
11	05947700	4	Bolt-Hex .25-20 x 1.00 Grade 5
12	038672	1	Panel, Headlight Reflector
13	038673	1	Bezel, Headlight
14	038671	1	Panel, Headlight Lense
15	06536000	4	Nut-Locking-Nylon 10-24 with Insert
16	06116900	4	Screw-Machine 10-24 x .75 Hex Washer Head
17	039831	1	Grill
18	07412000	2	Screw-Tapping .25-20 x .50 Hex Washer Head
19	06535500	8	Nut-Locking-Center .38-16
20	06435900	6	Washer-Flat-Steel .44 x 1.00 x .083
21	035518	2	Grommet
22	039047	1	Hinge, Hood-Left Hand
	039049	1	Hinge, Hood-Right Hand
23	036849	2	Spacer- Flanged .39 x .50 x .78 x .88
24	06529800	2	Nut-Locking-Center .31-18
25	010908	2	Bushing-Sleeve Steel .41 x 1.00 x 1.00
26	05948700	6	Bolt-Hex .38-16 x 1.00 Grade 5
27	06437200	2	Washer-Flat-Steel .344X.688X.065
28	05957400	2	Bolt-Hex .31-18 x 1.75 Grade 5
29	039836	1	Panel, Side Left Hand
	039835	1	Panel, Side Right Hand
30	05963300	2	Bolt-Hex .38-16 x 2.00 Grade 5

REAR DECK AND SEAT

Model 987070, 071, 072



PJ0014

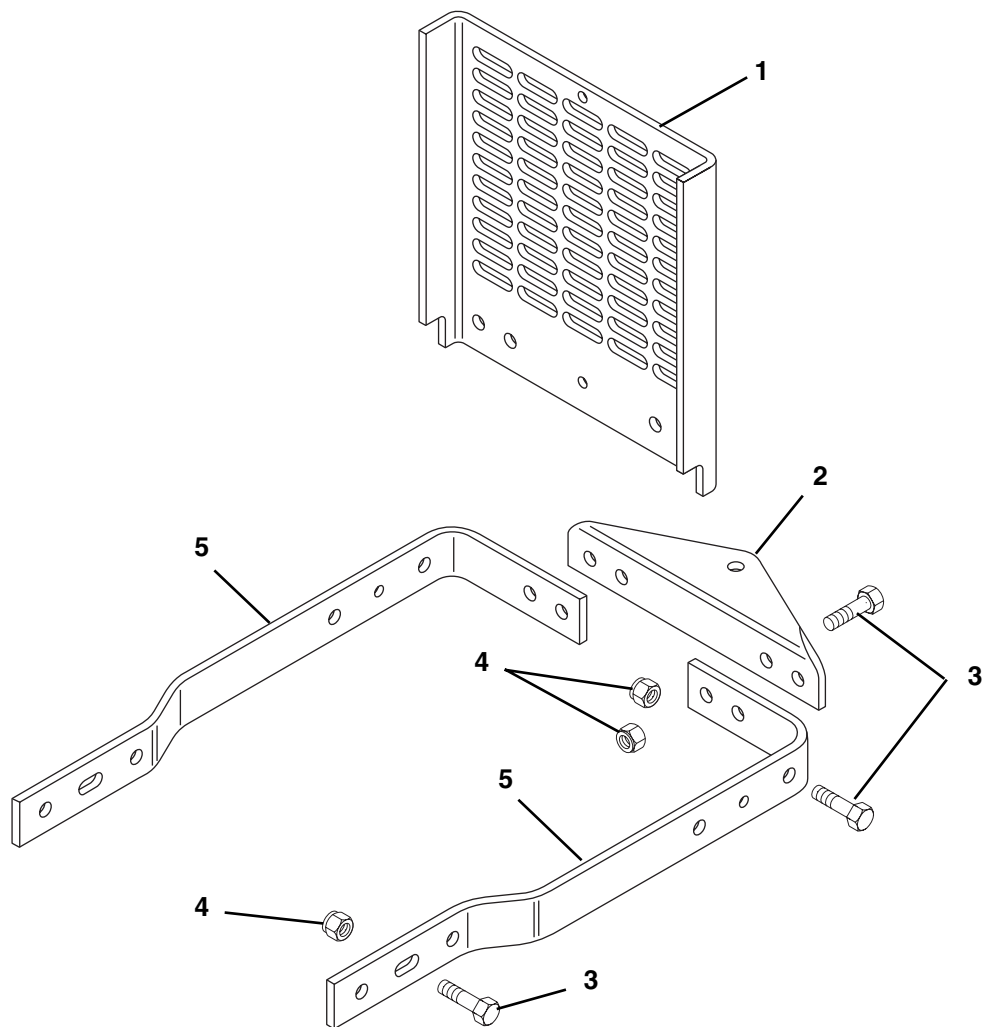
REAR DECK AND SEAT

Model 987070, 071, 072

Item	Part No.	Qty.	Description
1	051329	2	Reflector
2	06116700	4	Screw-Machine 10-24 x .50 Hex Washer Head
3	06539200	4	Nut-Locking 10-32 Nylon
4	051601	1	Bracket, Seat Support
5	040453	1	Weldment, Seat Pan Head Notched
6	024996	1	Strap, Fender Hold-Up
7	06707500	1	Pin-Cotter .06 x .75
8	018420	1	Pin-Clevis .25 x .406
9	05948700	2	Bolt-Hex .38-16 x 1.00 Grade 5
10	06436200	2	Washer-Flat-Steel .41 x .81 x .065
11	024815	2	Bushing-Flange .41 x .88 x .27 x .14
12	051278	1	Bracket, Seat
13	08798800	1	Heat Shield 30.5 x 14 (070, 072)
14	08798900	1	Heat Shield 12 x 9 (071)
15	09112400	1	Seat, V-560 High Back
16	05947000	4	Bolt-Hex .31-18 x .75 Grade 5
17	06308600	8	Washer-Locking .31 x .078 Regular
18	06437200	4	Washer-Flat-Steel .34 x .69 x .065
19	047528	2	Spring, Seat
20	06216100	4	Bolt-Round Head Square Neck .31-18 x 1.00 Grade 5
21	035670	4	Spacer, Seat Slider
22	06529800	8	Nut-Locking-Center .31-18
23	03600800	1	Slides, Seat
24	039059	4	Screw-Cap .31-18 x .875 Grade 5
25	06529200	4	Nut-Hex .31-18

REAR HITCH

Model 987070, 071, 072

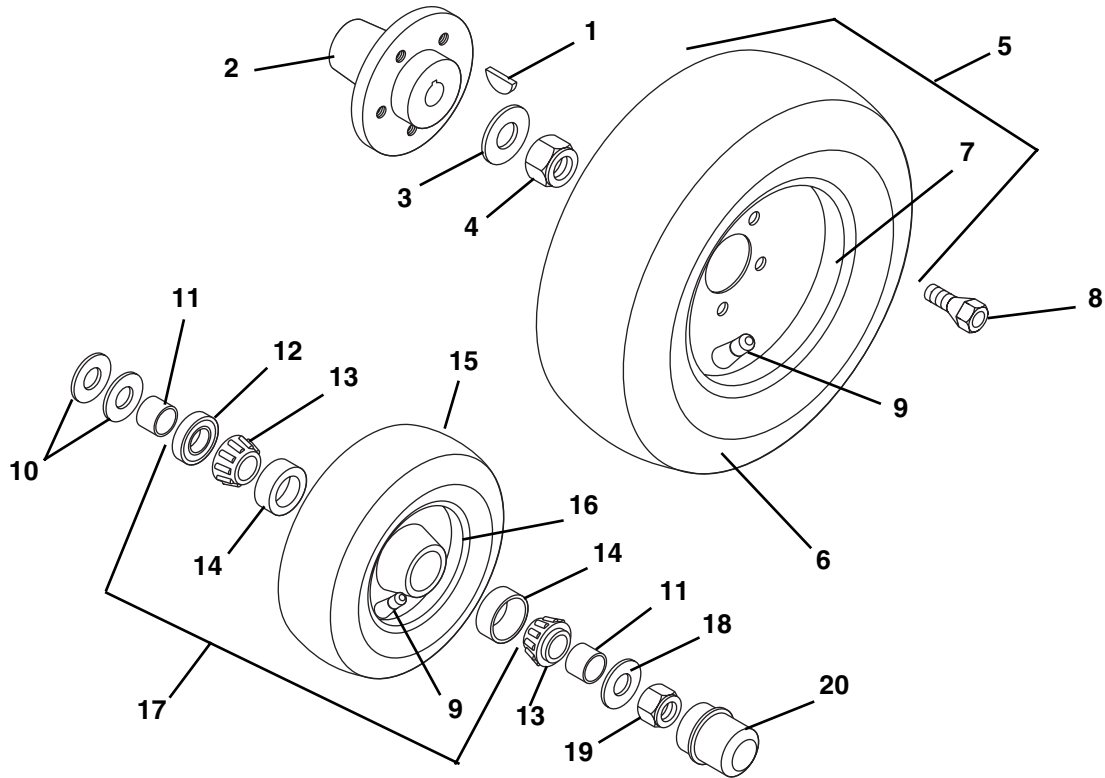


PJ0210

Item	Part No.	Qty.	Description
1	04902700	1	Weldment, Engine Guard (071)
	047561	1	Guard, Engine (070, 072)
2	019517	1	Plate, Hitch
3	05946000	8	Bolt-Hex .50-13 x 1.75 Grade 8
4	06536300	8	Nut-Locking-Center .50-13
5	047529	2	Arm, Rear Hitch

FRONT AND REAR WHEELS

Model 987070, 071, 072

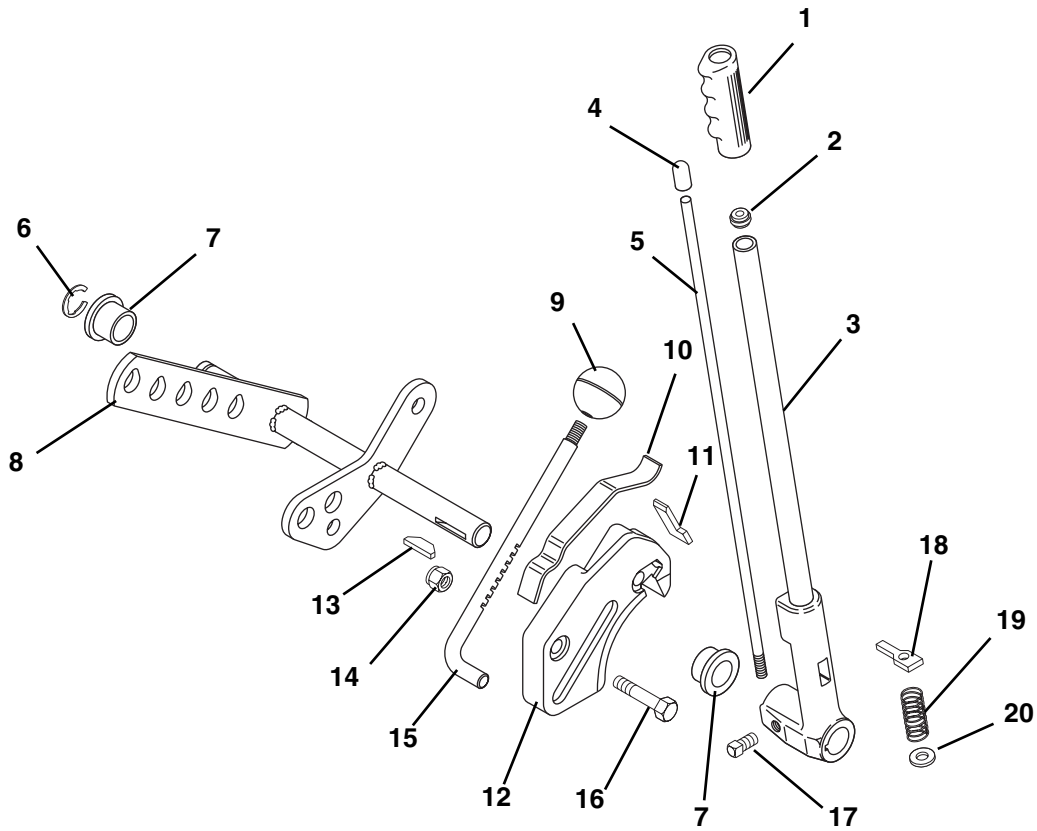


PJ0220

Item	Part No.	Qty.	Description
1	187184	2	Key-Woodruff .25 x 1.38 x .41 SAE 127
2	040304	2	Hub, Tapered 4-Wheel (070)
	040304	1	Hub, Tapered 4-Wheel (072)
	04903553	2	Hub (071)
	04903553	1	Hub (072)
3	06439800	2	Washer-Flat-Steel.81 x 2.00 x .148
4	06535400	2	Nut-Locking-Center .75-10
5	052994	2	Tire/Wheel Assembly 23 x 8.5-12 (070, 071)
	052995	2	Tire/Wheel Assembly 23 x 10.50-12 (072)
6	048920	AR	Tire, Rear 23 x 8.50-12 (070, 071)
	048921	AR	Tire, 23 x 10.50-12 (072)
7	048922	AR	Weldment, Rim
8	07051400	10	Bolt, Lug .44-20 x 1.00
9	011191	4	Valve Stem Assembly
10	06439000	4	Washer-Flat-Steel .81 x 1.50 x .135
11	018448	2	Spacer .75 x 1.00 x .50
12	018447	1	Seal 1.21 x 1.79 x .47
13	018446	2	Bearing-Cone .75 x .61
14	018445	2	Bearing-Cup 1.78 x .48
15	018923	AR	Tire,Front 16 x 6.50-8 (070, 071)
	046063	AR	Tire, 16 x 7.50-8 (072)
16	048925	AR	Weldment, Rim
17	048542	2	Tire/Wheel Assembly 16 x 6.50-8 (070, 071)
	048538	2	Tire/Wheel Assembly 16 x 7.50-8 (072)
18	06442800	2	Washer-Flat-Steel .67 x 1.31 x .095
19	06535300	2	Nut-Locking-Center .62-11
20	018449	2	Dust Cap

MANUAL LIFT

Model 987071

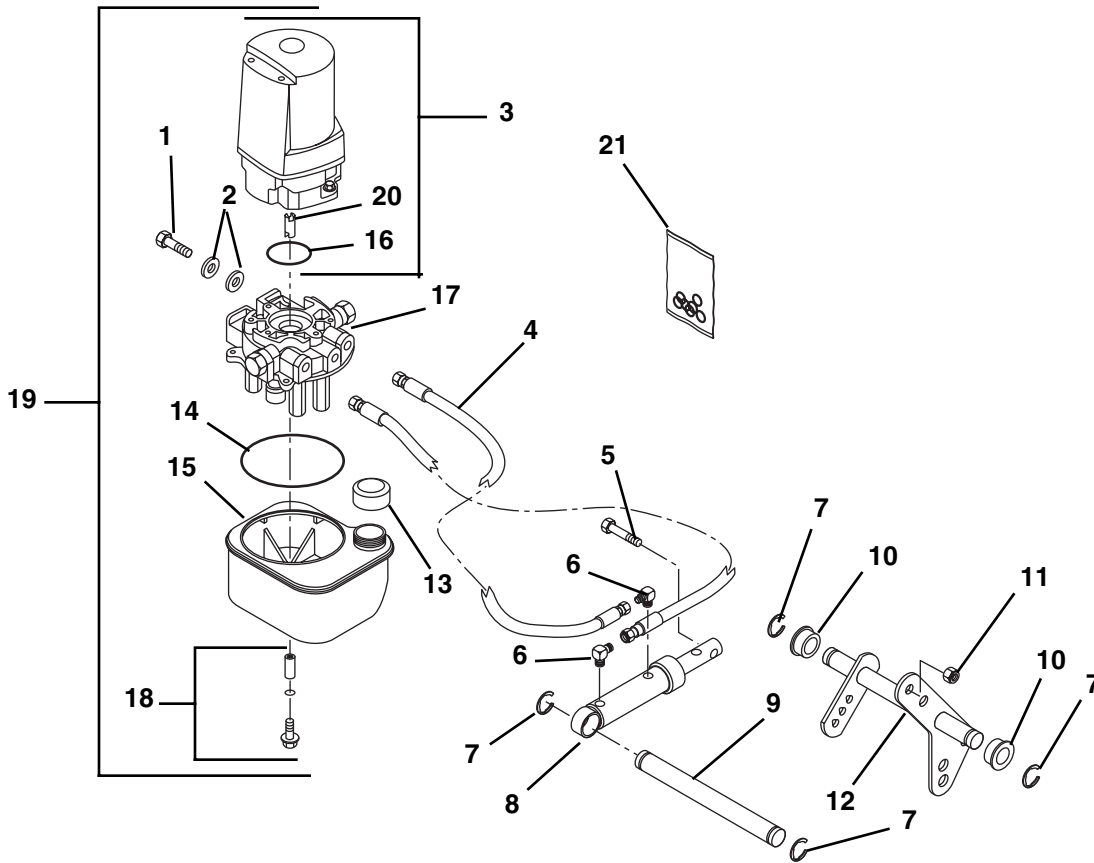


PJ0230

Item	Part No.	Qty.	Description
1	07518700	1	Handle Grip
2	011117	1	Guide, Push Rod
3	011113	1	Assembly, Lever Lift
4	019367	1	Tip, Push Rod
5	011118	1	Rod, Lever Push
6	011112	1	Ring-Retaining-External .84 x .056
7	018355	2	Bushing-Flange 1.02 x 1.39 x .75 x 1.75 Nylon
8	018404	1	Shaft, Lift Lever Weldment
9	010670	1	Knob-Control .44-20 x .50
10	011105	1	Spring, Stop
11	011106	1	Stop, Lever
12	011103	1	Casting, Locator
13	187184	1	Key-Woodruff .25 x 1.38 x .41 SAE 127
14	06529600	2	Nut-Locking-Center .38-16
15	018732	1	Rod, Lever Stop
16	05958000	2	Bolt-Hex .38-16 x 1.25 Grade 5
17	102593	1	Screw-Set .38-16 x .50
18	011116	1	Pawl, Lever
19	010682	1	Spring-Compression .07 x .72 x 2.00
20	06435900	1	Washer-Flat-Steel .44 x 1.00 x .083

HYDRAULIC SYSTEM

Model 987070, 072

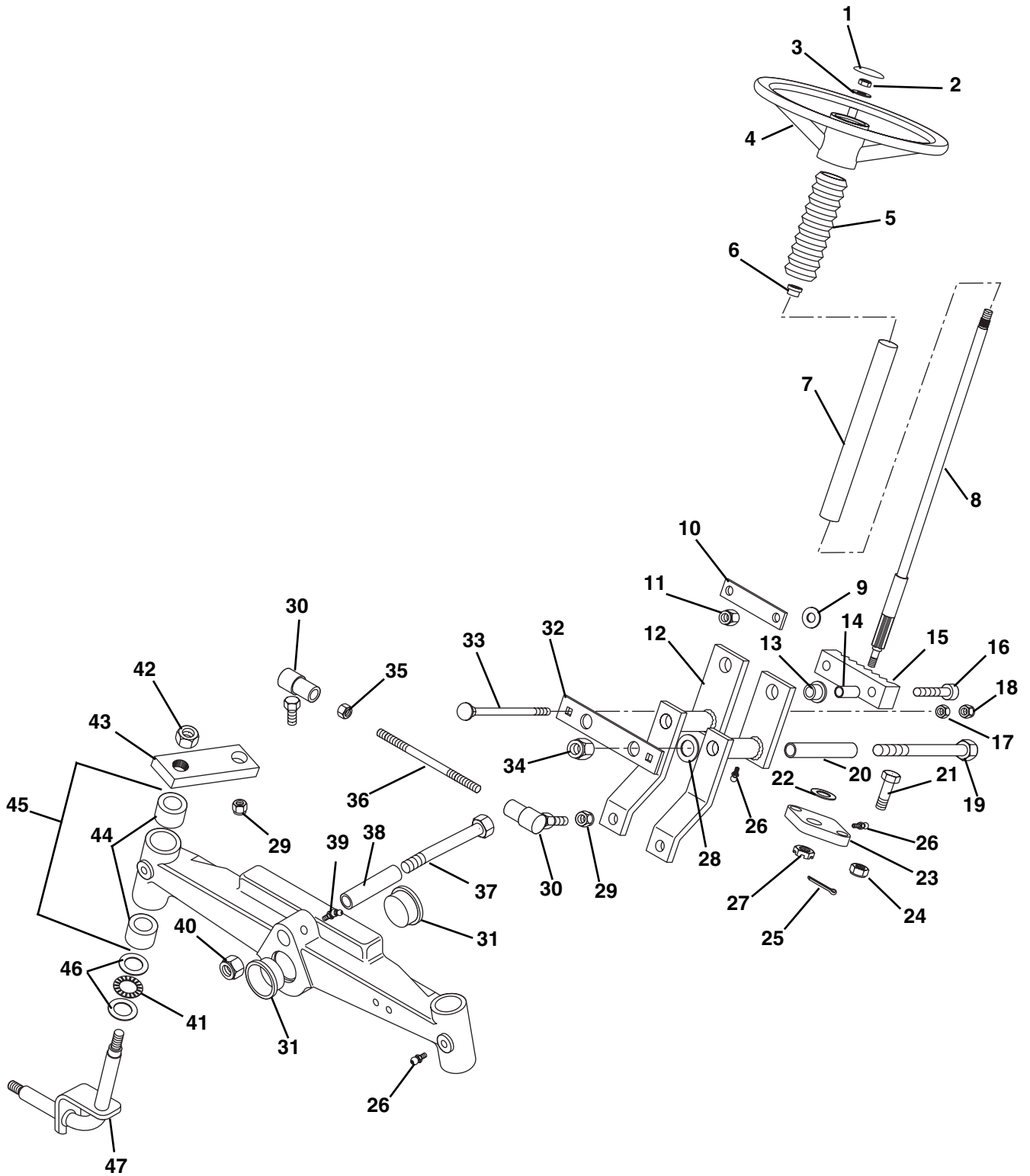


PJ0031

Item	Part No.	Qty.	Description
1	05948700	2	Bolt-Hex .38-16 x 1.00 Grade 5
2	038842	4	Washer-Flat-Steel .39 x .88 x .18
3	21509800	1	Assembly, Motor
4	092214	2	Assembly, Hose Pump To Cylinder
5	05959700	1	Bolt-Hex .50-13 x 2.00 Grade 5
6	018826	2	Adapter
7	011112	4	Ring-Retaining-External .84 x .056
8	031284	1	Cylinder, Hydraulic
9	018830	1	Shaft, Hydraulic Cylinder
10	018355	2	Bushing-Flange 1.02 x 1.39 x .75 x 1.75 Nylon
11	06536300	1	Nut-Locking-Center .50-13
12	087576	1	Weldment, Mower Lift
13	200018	1	Reservior Cap-Electric/Hydraulic Pump
14	214191	1	Reservior Tank
15	200014	1	Reservior Seal, O-Ring
16	21510000	1	O-Ring
17	21509900	1	Adapter Assembly
18	21510100	1	Screw, O-Ring and Spacer Assembly
19	08725000	AR	Pump, Electric Hydraulic
20	21526300	1	Coupler
21	21510200	1	Seal/O-Ring Kit, Electric/Hydraulic Pump

STEERING - 13.5 AND 16 H.P. UNITS

Model 987070, 071



PJ0240

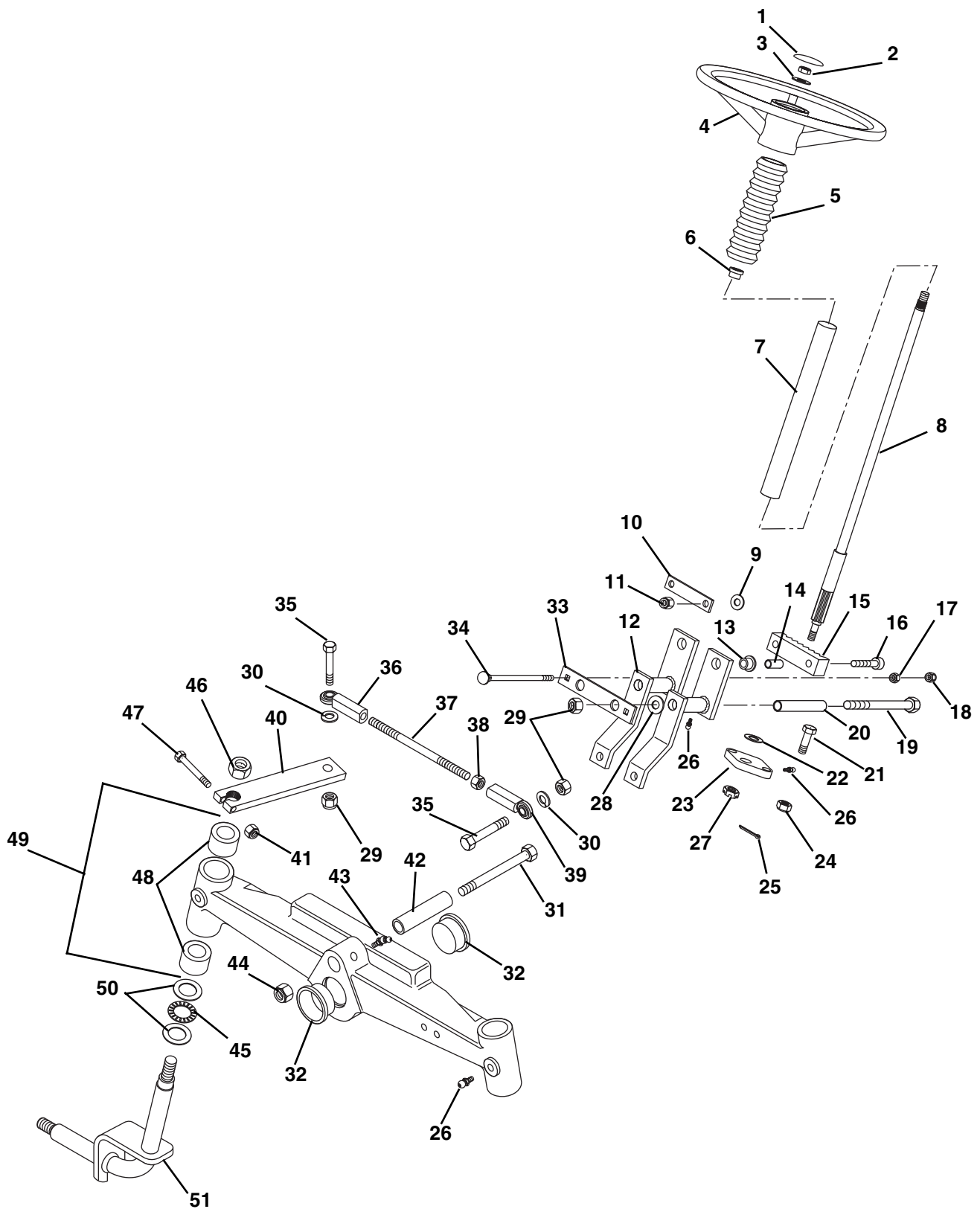
STEERING - 13.5 AND 16 H.P. UNITS

Model 987070, 071

Item	Part No.	Qty.	Description
1	031426	1	Cap, Steering Wheel
2	06539300	1	Nut-Jam .63-11
3	06442800	1	Washer-Flat-Steel .67 x 1.31 x .095
4	031281	1	Steering Wheel
5	047311	1	Boot, Steering Column
6	010174	1	Bushing-Flange .77 x 1.00 x .58 x 1.48 Nylon
7	040984	1	Tube, Plastic 1.00 I.D.
8	047530	1	Weldment, Steering Shaft
9	06435700	2	Washer-Flat-Steel .38 x .88 x .75 x .083
10	021246	1	Strap, Rack and Pinion
11	06529600	2	Nut-Locking-Center .38-16
12	040130	2	Weldment, Steering
13	021077	2	Bushing-Flange .63 x .88 x .47 x 1.12
14	021076	2	Bushing, Steel .39 x .62 x .68
15	051851	1	Grade, Rack
16	05963300	2	Bolt-Hex .38-16 x 2.00 Grade 5
17	06529200	2	Nut-Hex .31-18
18	06529800	2	Nut-Locking-Center .31-18
19	05961800	2	Bolt-Hex .50-13 x 6.00 Grade 5
20	021078	2	Sleeve,Pivot
21	05962800	2	Bolt-Hex .44-14 x 1.50 Grade 5
22	035344	1	Washer-Thrust .51 x .92 x .031
23	035064	1	Support, Steering Shaft
24	06536400	2	Nut-Locking-Center .44-14
25	06707000	1	Pin-Cotter .09 x 1.00
26	411027	5	Fitting-Lube .25-28 x .26
27	06539100	1	Nut-Hex-Slotted .50-13
28	06413300	2	Washer-Hardened-Thrust .76 x 1.25 x .094
29	06538800	4	Nut-Locking-Nylon .38-24
30	02917100	4	Joint, Ball
31	018785	2	Cap, Front Axle
32	021079	1	Plate, Adjustment
33	06222800	2	Bolt-Round Head Square Neck .31-18 x 5.50 Grade 5
34	06536300	2	Nut-Locking-Center .50-13
35	06534700	4	Nut-Jam .38-24
36	040630	2	Rod, Steering
37	05968800	1	Bolt-Hex .75-10 x 4.50 Grade 5
38	023237	1	Tube, Axle Pivot
39	411031	1	Fitting-Lube 45 Degree
40	06535400	1	Nut-Locking-Center .75-10
41	021543	2	Bearing-Thrust .88 x 1.43 x .078
42	06535600	2	Nut-Hex .62-11
43	040126	2	Arm, Tie Rod Axle
44	043359	4	Bushing-Sleeve .87 x 1.00 x 1.00
45	045400	1	Axle, Steering
46	021541	4	Washer-Thrust .88 x 1.43 x .032
47	018463	2	Weldment, King Pin

STEERING - 20.5 H.P. UNITS

Model 987072



PJ0250

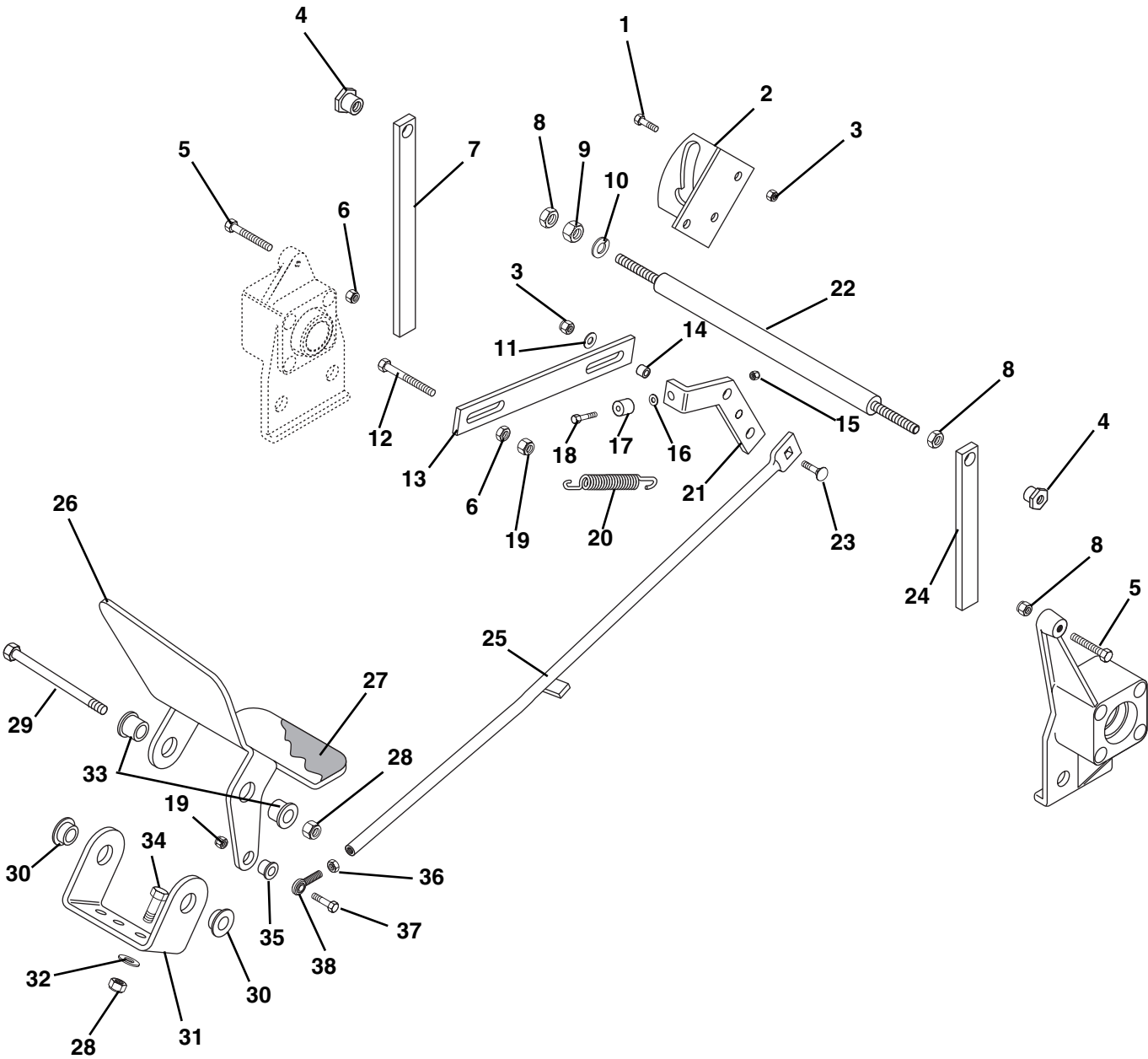
STEERING - 20.5 H.P. UNITS

Model 987072

Item	Part No.	Qty.	Description
1	031426	1	Cap, Steering Wheel
2	06539300	1	Nut-Jam .625-11
3	06442800	1	Washer-Flat-Steel .66 x 1.31 x .095
4	031281	1	Steering Wheel
5	047311	1	Boot, Steering Column
6	010174	1	Bushing-Flange .76 x 1.00 x .58 x 1.48 Nylon
7	040984	1	Tube, Plastic 1.00 I.D.
8	047530	1	Weldment, Steering Shaft
9	06435700	2	Washer-Flat-Steel .38 x .88 x .083
10	021246	1	Strap, Rack and Pinion
11	06529600	2	Nut-Locking-Center .38-16
12	045643	2	Weldment, Steering Arm
13	021077	2	Bushing-Flange .63 x .88 x .47 x 1.12
14	021076	2	Bushing,Steel .39 x .62 x .68 Steel
15	051851	1	Grade, Rack
16	05963300	2	Bolt-Hex .38-16 x 2.00 Grade 5
17	06529200	2	Nut-Hex .31-18
18	06529800	2	Nut-Locking-Center .31-18
19	05961800	2	Bolt-Hex .50-13 x 6.00 Grade 5
20	021078	2	Sleeve, Pivot
21	05962800	2	Bolt-Hex .44-14 x 1.50 Grade 5
22	035344	1	Washer-Thrust .51 x .92 x .031
23	035064	1	Support, Steering Shaft
24	06536400	2	Nut-Locking-Center .44-14
25	06707000	1	Pin-Cotter .09 x 1.00
26	411027	5	Fitting-Lube .25-28 x .26
27	06539100	1	Nut-Hex-Slotted .50-13
28	06413300	2	Washer-Hardened-Thrust .76 x 1.25 x .094
29	06536300	6	Nut-Locking-Center .50-13
30	06307300	4	Washer-Locking .50 x .125
31	05968800	1	Bolt-Hex .75-10 x 4.50 Grade 5
32	018785	2	Cap, Front Axle
33	021079	1	Plate, Adjustment
34	06222800	2	Bolt-Round Head Square Neck .31-18 x 5.50 Grade 5
35	05961000	4	Bolt-Hex .50-13 x 2.25 Grade 5
36	044941	2	Rod End, Steering Right Hand
37	044940	2	Tie Rod, Steering
38	06539500	2	Nut-Jam .50-20 Grade 2
39	044942	2	Rod End, Steering Left Hand
40	044939	2	Arm, Tie Rod Axle
41	06537000	2	Nut-Center-Lock .31-24
42	023237	1	Tube, Axle Pivot
43	411031	1	Fitting-Lube 45 Degree
44	06535400	1	Nut-Locking-Center .75-10
45	021543	2	Bearing-Thrust .88 x .43 x .078
46	06535600	2	Nut-Hex .62-11
47	05968000	2	Bolt-Hex .31-24 x 1.75 Gear 5
48	043359	4	Bushing-Sleeve .87 x 1.00 x 1.00
49	045400	1	Axle, Steering
50	021541	4	Washer-Thrust .88 x 1.43 x .032
51	018463	2	Weldment, King Pin

DIRECTION CONTROL

Model 987070, 071, 072



PJ0260

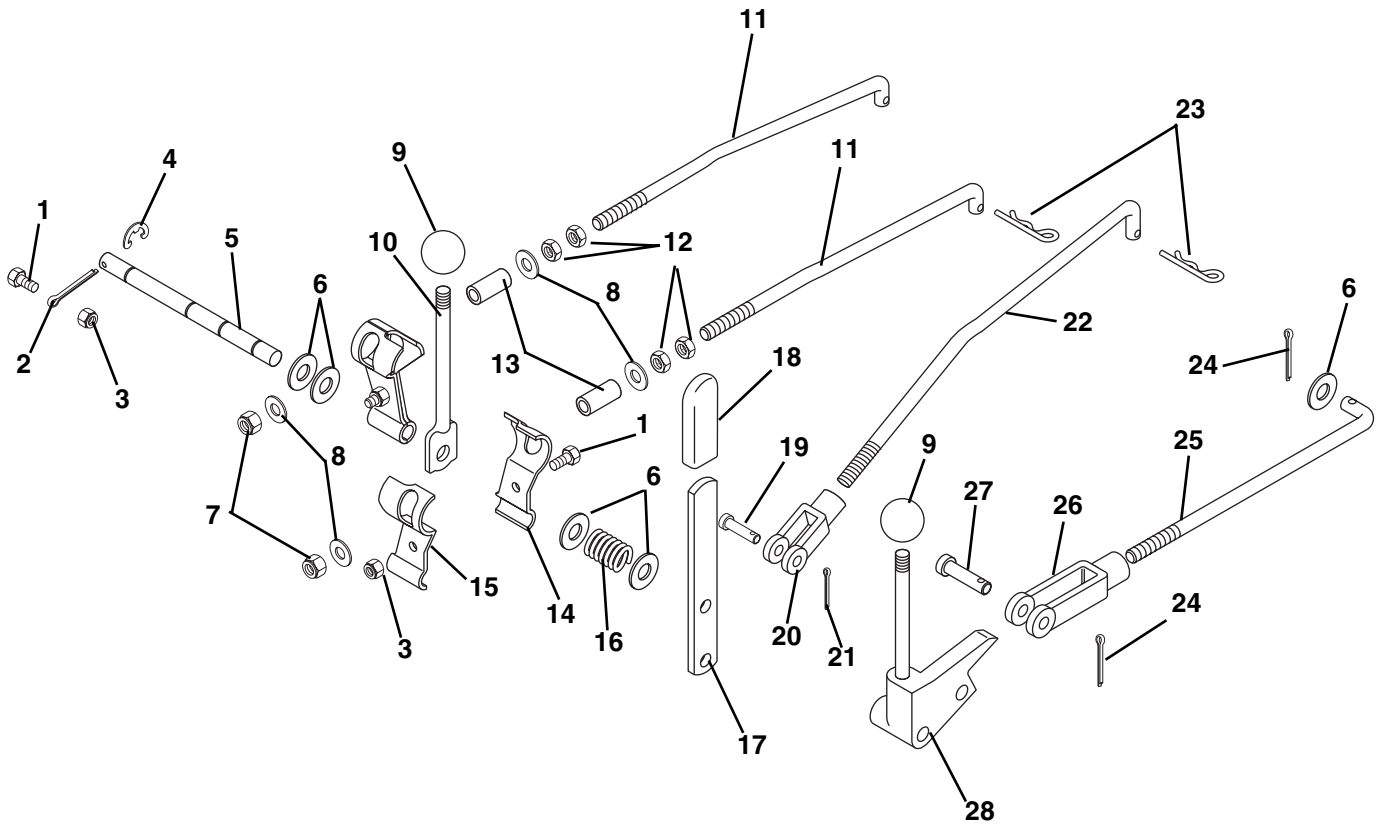
DIRECTION CONTROL

Model 987070, 071, 072

Item	Part No.	Qty.	Description
1	05946900	2	Bolt-Hex .31-18 x 1.00 Grade 5
2	046309	1	Weldment, Forward-Reverse Actuating
3	06529800	2	Nut-Locking-Center .31-18
4	040305	2	Bushing-Flange .50 x .88 x .70 Steel
5	05943100	2	Bolt-Hex .38-16 x 2.50
6	06529400	3	Nut-Hex .38-16
7	043789	1	Spring, Reverse Clutch
8	06529300	2	Nut-Jam .50-13
9	06537300	1	Nut-Hex .50-13
10	06306600	1	Washer-Locking .50 x .151
11	06435700	1	Washer-Flat-Steel .38 x .88 x .083
12	05957800	1	Bolt-Hex .38-16 x 3.00 Grade 5
13	039843	1	Strap, Neutral Detent
14	040360	1	Bushing, Sleeve .33 x .50 x .50l Steel
15	06533400	1	Nut-Locking-Center .25-28
16	06437300	1	Washer-Flat-Steel .28 x .62 x .065
17	039842	1	Roller-Clutch Cam .25 x .75 x .56
18	05968500	1	Bolt-Hex .25-28 x 1.38
19	06529600	2	Nut-Locking-Center .38-16
20	039844	1	Spring-Tension .06 x .50 x 3.10
21	039841	1	Arm, Forward-Reverse Clutch Roll
22	039840	1	Rod, Forward-Reverse Slide
23	06219200	1	Bolt-Round Head Square Neck .31-18 x 1.25 Grade 5
24	034715	1	Spring, Forward-Reverse Clutch
25	051423	1	Weldment, Forward-Reverse Rod
26	045090	1	Pedal, Foot Clutch
27	046043	1	Pad, Foot Clutch Pedal
28	06536300	1	Nut-Locking-Center .50-13
29	05964400	1	Bolt-Hex .50-13 x 6.50 Grade 5
30	010174	2	Bushing-Flange .76 x 1.00 x .58 x 1.48 Nylon
31	045094	1	Bracket, Clutch Pedal Pivot
32	06442000	2	Washer-Flat-Steel .56 x 1.38 x .11
33	034738	2	Bushing-Flange .52 x .75 x .75 x 1.00
34	05958900	2	Bolt-Hex .50-13 x 1.25 Grade 5
35	045789	1	Bushing-Flange .32 x .62 x .312
36	06534700	1	Nut-Jam .38-24
37	05958000	1	Bolt-Hex .38-16 x 1.25 Grade 5
38	051425	1	Rod End, .38 Right Hand

TRANSMISSION CONTROL

Model 987070, 071, 072



PJ0270

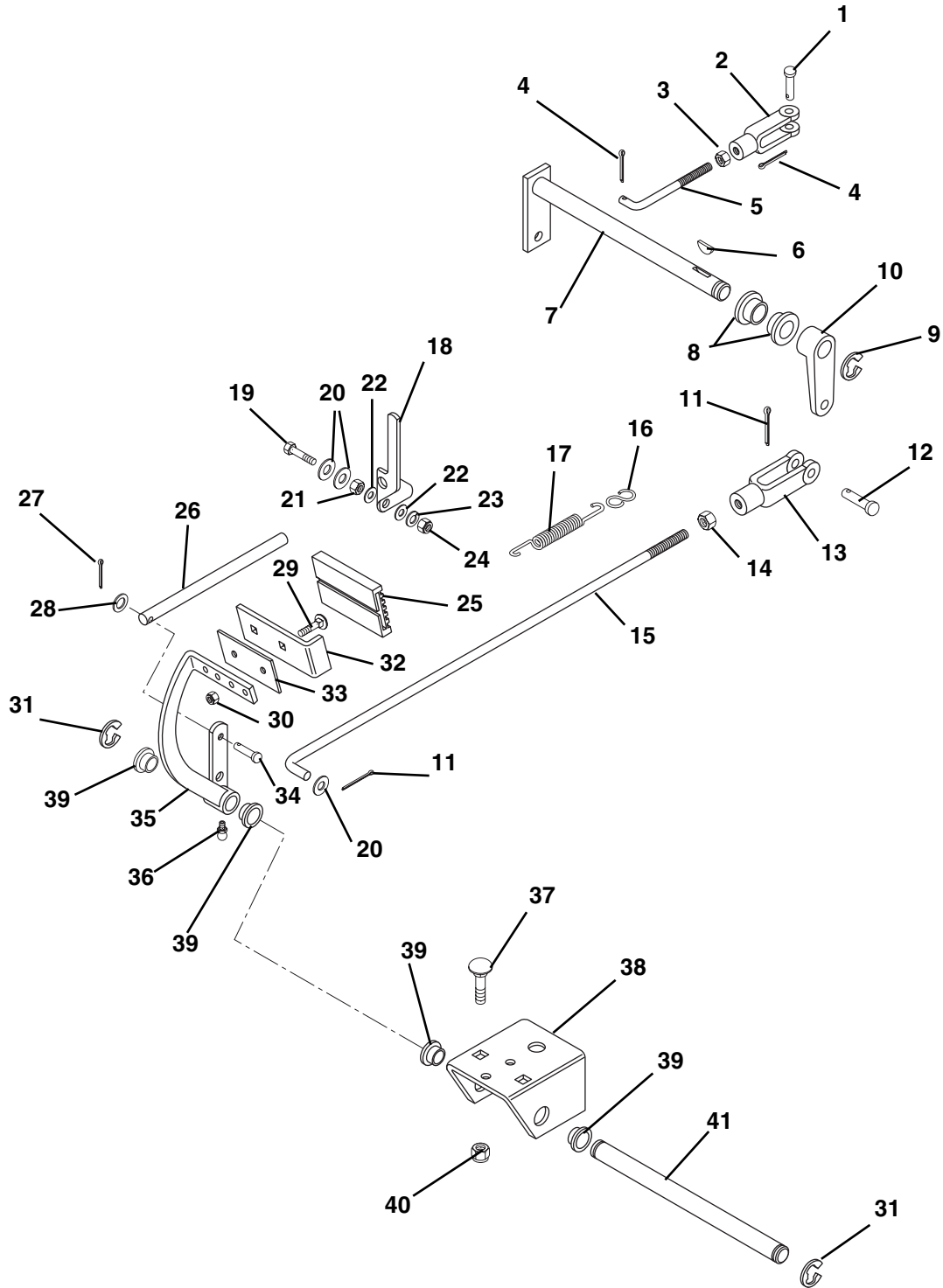
TRANSMISSION CONTROL

Model 987070, 071, 072

Item	Part No.	Qty.	Description
1	05947000	2	Bolt-Hex .31-18 x .75 Grade 5
2	06713100	1	Pin-Cotter .25 x 2.00
3	06529800	2	Nut-Locking-Center .31-18
4	05710200	4	Ring-Retaining-External .50 x .042
5	08764200	1	Shaft, Cross
6	06441900	5	Washer-Flat-Steel .53 x 1.06 x .095
7	06529600	2	Nut-Locking-Center .38-16
8	06435900	4	Washer-Flat-Steel .44 x 1.00 x .083
9	010670	2	Knob-Control .44-20 x .50
10	018371	1	Lever, Shift
11	033994	2	Rod, Shift
12	06535900	4	Nut-Hex-Jam .38-16
13	033986	2	Bushing-Sleeve .40 x .49 x 1.63 Steel
14	033988	2	Arm, Shifter Right
15	033989	2	Arm, Shifter Left
16	018372	1	Spring-Compression .085 x .50 x 2.75
17	033990	1	Lever, High-Low Shift
18	034067	1	Grip, Handle
19	06811900	1	Pin-Clevis .38 x .95
20	018380	1	Clevis,.38-24 Adjustable
21	06707300	1	Pin-Cotter .12 x .75
22	040143	1	Rod, 2-Speed
23	06713500	3	Pin-Hair Internal .08 x .18 x 1.18
24	06707100	4	Pin-Cotter .12 x 1.00
25	018386	1	Rod, PTO
26	018387	1	Yoke, .50-20 x 3.00
27	06812100	1	Pin-Clevis .50 x 1.21
28	034065	1	Assembly, PTO Control

BRAKE LINKAGE

Model 987070, 071, 072



PJ0280

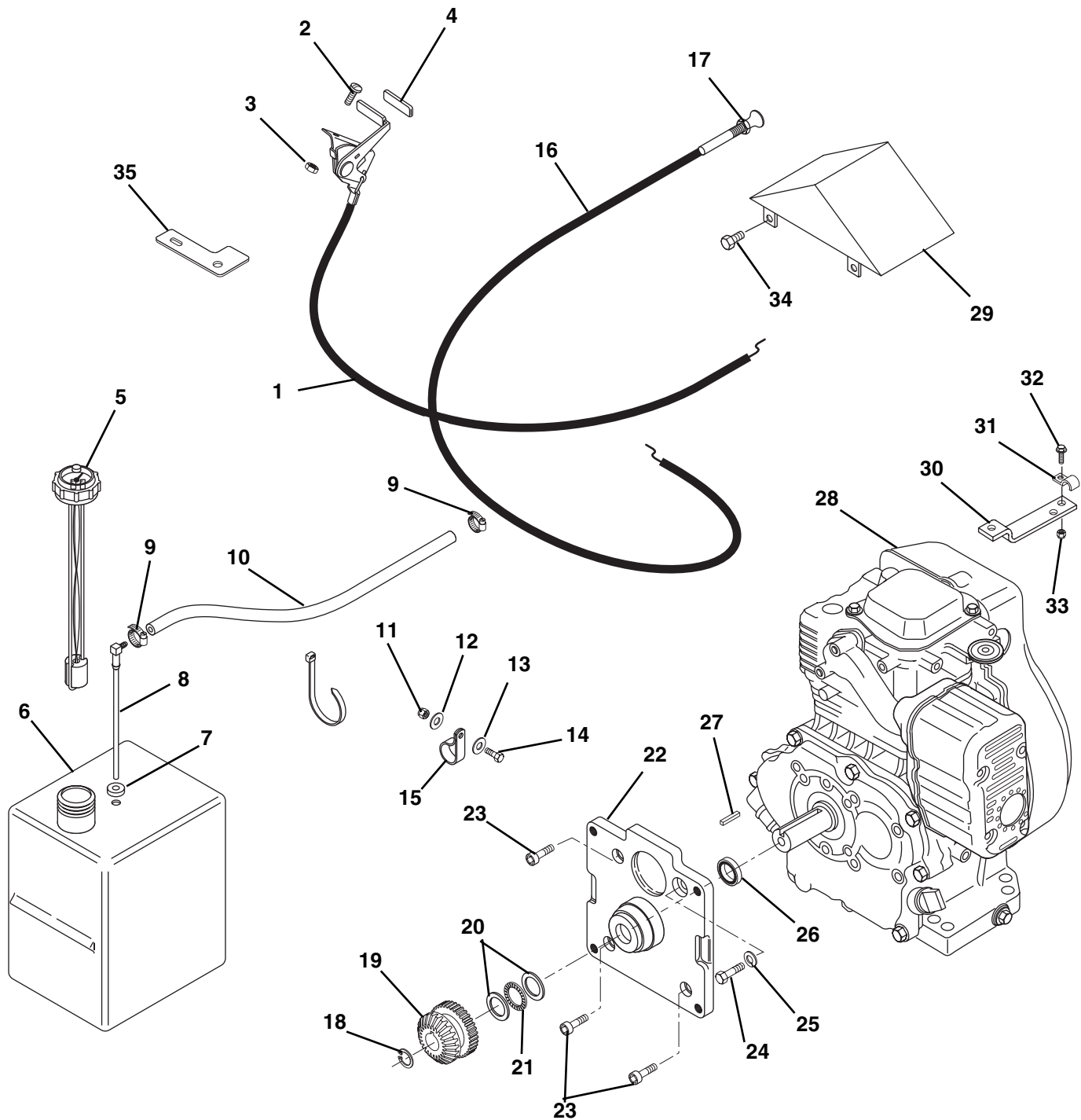
BRAKE LINKAGE

Model 987070, 071, 072

Item	Part No.	Qty.	Description
1	06814000	1	Pin-Clevis .31 x .94
2	00513800	1	Yoke, .31-24 x 2.25
3	06536700	1	Nut- Jam .31-24
4	06706900	2	Pin-Cotter .09 x .75
5	045109	1	Rod, Parking Brake
6	124549	1	Key-Woodruff .19 x .75
7	045104	1	Weldment, Brake Cross Shaft
8	010174	2	Bushing-Flange .76 x 1.00 x .58 x 1.48
9	011270	1	Ring-Retaining-External .57 x .05
10	018019	1	Lever, PTO
11	06707300	2	Pin-Cotter .12 x .75
12	06811900	1	Pin-Clevis .38 x .95
13	018380	1	Clevis,.38-24 Adjustable
14	06534700	1	Nut-Jam .38-24
15	045102	1	Rod,Brake Right Hand
16	011329	1	Clip, Spring
17	011263	1	Spring-Tension .095 x .50 x 5.5
18	020772	1	Arm, Parking Brake Lock
19	05958000	1	Bolt-Hex .38-16 x 1.25 Grade 5
20	06436200	3	Washer-Flat-Steel .41 x .81 x .065
21	06535900	1	Nut-Hex-Jam .38-16
22	020775	2	Washer-Flat-Nylon .38 x .75 x .060
23	06308800	1	Washer-Locking .38 x .094
24	06529600	1	Nut-Locking-Center .38-16
25	041944	1	Pad, Pedal
26	046064	1	Rod
27	06707500	1	Pin-Cotter .06 x .75
28	06437300	1	Washer-Flat-Steel .28 x .62 x .065
29	06219700	2	Bolt-Round Head Square Neck .25-20 x 1.25 Grade 5
30	06529700	2	Nut-Locking-Center .25-20
31	018053	2	Ring-Retaining-External .63 x .042
32	045518	1	Pedal, Brake
33	041921	1	Plate, Brake
34	045918	1	Pin-Clevis .25 x 1.13
35	045215	1	Weldment, Brake Pedal
36	441027	1	Fitting, Lube .25-28 x .26
37	06219600	2	Bolt-Round Head Square Neck .38-16 x .75 Grade 2
38	045222	1	Bracket, Brake Pedal
39	045787	4	Bushing-Flange .63 x 1.00 x .63 Nylon
40	06535500	2	Nut-Locking-Center .38-16
41	045221	1	Shaft, Brake Pedal Mounting

ENGINE, FUEL AND EXHAUST SYSTEM - ROBIN - 13.5 HP

Model 987071



PJ0411

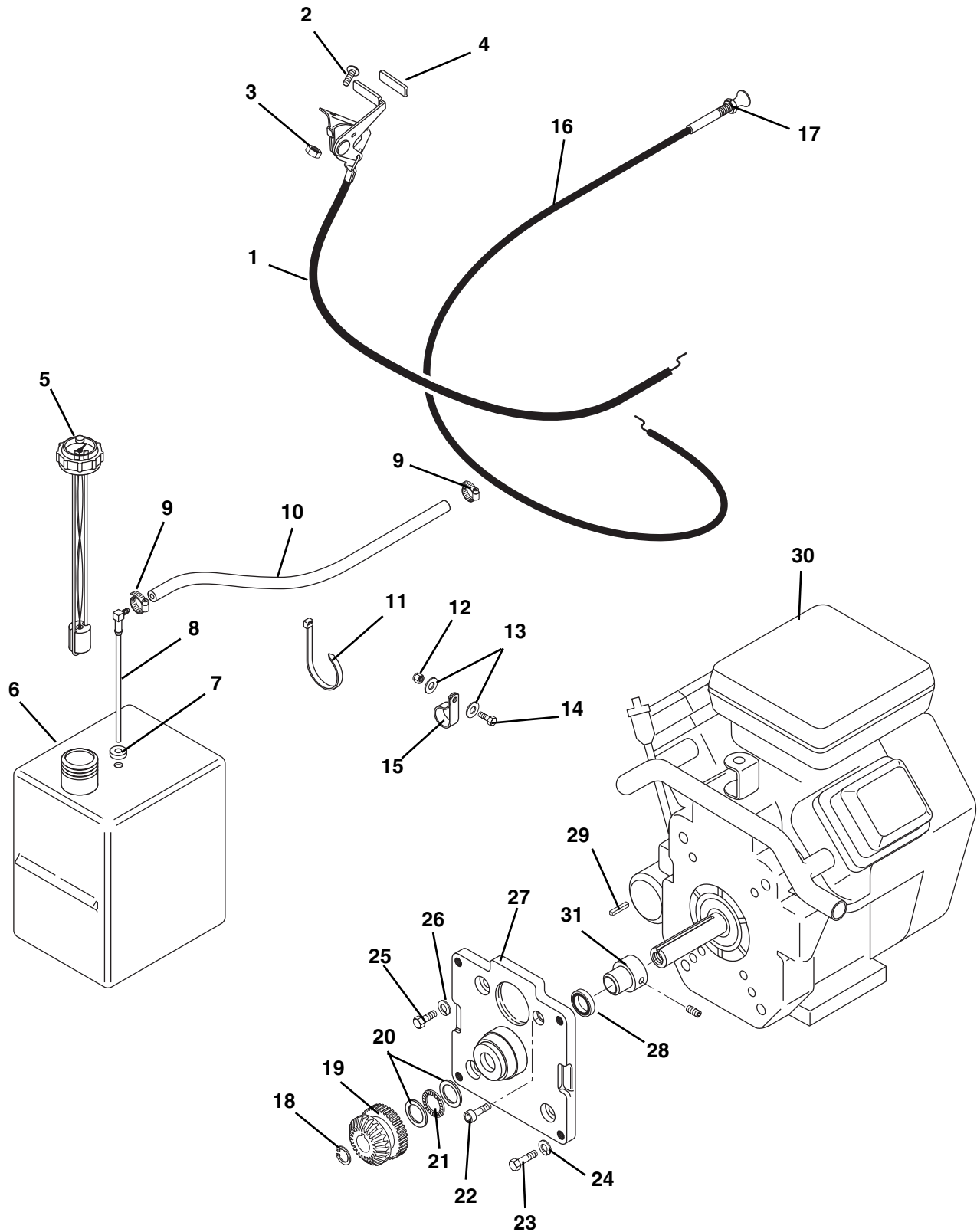
ENGINE, FUEL AND EXHAUST SYSTEM - ROBIN - 13.5 HP

Model 987071

Item	Part No.	Qty.	Description
1	06942700	1	Cable, Throttle Control
2	06116700	2	Screw-Machine 10-24 x .50 Hex Washer Head
3	06536000	2	Nut-Locking-Nylon 10-24 with Insert
4	07521500	1	Grip
5	047615	1	Gauge, Fuel
6	047612	1	Tank, Fuel
7	050246	1	Bushing
8	047614	1	Fitting, Tank
9	032045	2	Clamp, Hose
10	021134	72"	Gas Line-Bulk 1/4" I.D.
11	036313	6	Cable Tie
12	06529800	1	Nut-Locking-Center .31-18
13	06437200	2	Washer-Flat-Steel .34 x .69 x .065
14	05946900	1	Bolt-Hex .31-18 x 1.00 Grade 5
15	03334000	1	Cable Clamp
16	06942600	1	Cable, Choke Control
17	06534700	1	Nut-Jam .38-24
18	018344	1	Ring-Retaining 1.25 x .05
19	08790200	1	Gear, Spur and Bevel (Input)
20	06434200	2	Washer-Thrust 1.13 x 1.75 x .12
21	05421000	1	Bearing-Needle-Thrust 1.84 x 1.13 x .078
22	04900900	1	Adapter, Engine
23	05948700	3	Bolt-Hex .38-16 x 1.00 Grade 5
24	05933000	1	Screw-Socket Head .44-14 x 1.00
25	05963600	1	Bolt Hex .31-24 x 1.00 Grade 5
26	05613000	3	Seal 1.989 x 1.38 x .31
27	018345	1	Key-Square .25 x 1.25 x .25
28	08255900	1	Engine, Robin
29	08578700	1	Panel, Linkage Cover
30	08594400	1	Bracket, Cable
31	06928000	1	Clip
32	06116400	1	Screw-Machine 6-32 x 1.00
33	06536000	1	Nut-Locking-Nylon 10-24 with Insert
34	05956300	2	Bolt-Hex M8 x 1.25 x 16
35	04902600	1	Stop, Throttle Cable

ENGINE, FUEL AND EXHAUST SYSTEM - BRIGGS & STRATTON - 16 HP

Model 987070



PJ0291

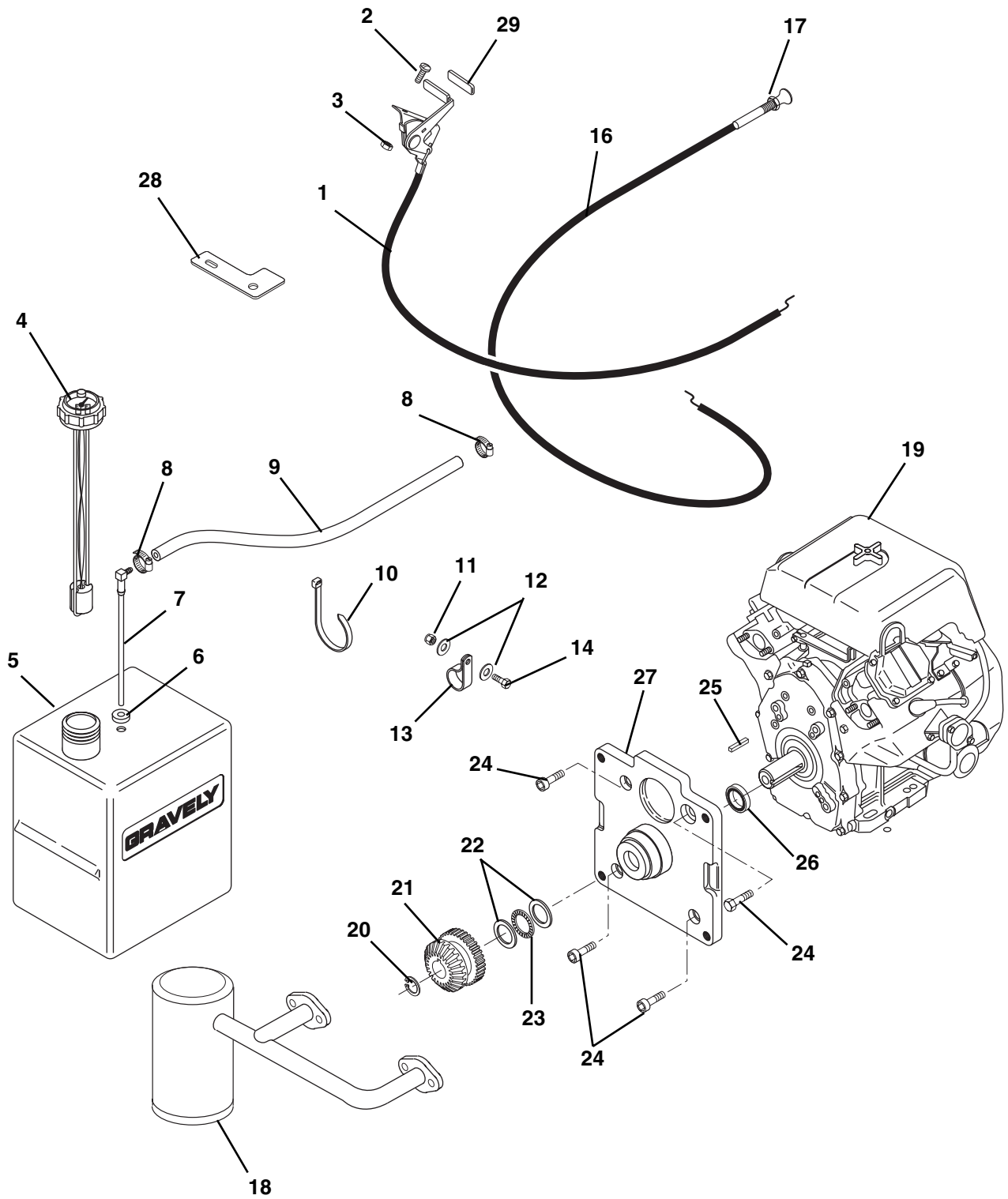
ENGINE, FUEL AND EXHAUST SYSTEM - BRIGGS & STRATTON - 16 HP

Model 987070

Item	Part No.	Qty.	Description
1	06941300	1	Cable, Throttle
2	06116700	2	Screw-Machine 10-24 x .50 Hex Washer Head
3	06536000	2	Nut-Locking-Nylon 10-24 with Insert
4	07521500	1	Grip
5	047615	1	Gauge, Fuel
6	047612	1	Tank, Fuel
7	050246	1	Bushing
8	047614	1	Fitting, Tank
9	032045	2	Hose Clamp
10	021134	72"	Gas Line-Bulk 1/4" I.D.
11	036313	6	Cable Tie
12	06529800	1	Nut-Locking-Center .31-18
13	06437200	2	Washer-Flat-Steel .34 x .689 x .065
14	05946900	1	Bolt-Hex .31-18 x 1.00 Grade 5
15	03334000	1	Cable Clamp
16	040133	1	Control, Choke
17	06534700	1	Nut-Jam .38-24
18	05717200	1	Ring-Retaining-Internal 1.11 x .042
19	08796400	1	Gear, Spur and Bevel (Input)
20	06434800	2	Washer-Thrust
21	011225	1	Bearing-Needle-Thrust 1.00 x 1.55 x .078
22	421648	4	Screw-Socket Head .44-14 x 1.00
23	05958900	4	Bolt-Hex .50-13 x 1.25 Grade 5
24	06307300	4	Washer-Locking .50 x .125 Regular
25	180146	3	Bolt-Hex .44-14 x 1.13
26	06310700	3	Washer-Locking .438X.133 Heavy
27	087974	1	Adapter, Engine
28	018517	1	Seal 1.13 x 1.63 x .25
29	018345	1	Key-Square .25 x 1.25 x .25
30	08240600	1	Engine, 16HP Briggs & Stratton Vanguard
31	087977	1	Spacer-Special Engine

ENGINE, FUEL AND EXHAUST SYSTEM - ROBIN - 20.5 HP

Model 987072



PJ0421

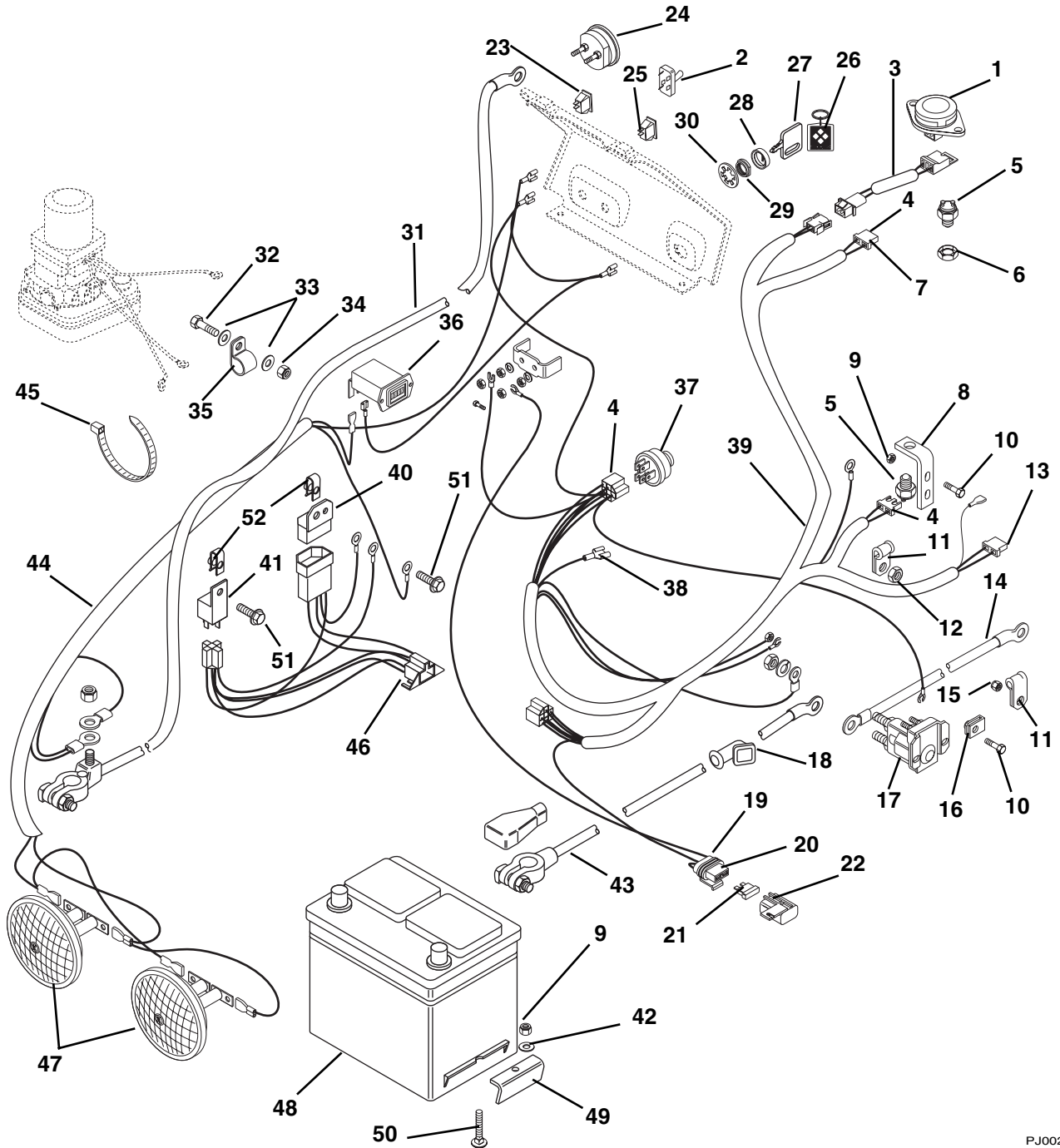
ENGINE, FUEL AND EXHAUST SYSTEM - ROBIN - 20.5 HP

Model 987072

Item	Part No.	Qty.	Description
1	06941600	1	Cable, Throttle Control
2	06116700	2	Screw-Machine 10-24 x .50 Hex Washer Head
3	06536000	2	Nut-Locking-Nylon 10-24 with Insert
4	047615	1	Gauge,Fuel
5	047612	1	Tank, Fuel
6	050246	1	Bushing
7	047614	1	Fitting, Tank
8	032045	2	Hose Clamp
9	021134	72"	Gas Line-Bulk 1/4" I.D.
10	036313	6	Cable Tie
11	06529800	1	Nut-Locking-Center .31-18
12	06437200	2	Washer-Flat-Steel .34 x .69 x .065
13	03334000	1	Cable Clamp
14	05946900	1	Bolt-Hex .31-18 x 1.00 Grade 5
15	040448	1	Bracket,Throttle and Choke
16	06941500	1	Cable, Choke Control
17	06534700	1	Nut-Jam .38-24
18	04901500	1	Muffler
19	08256000	1	Engine, Robin
20	018344	1	Ring-Retaining 1.25 x .05
21	051321	1	Gear, Spur and Bevel (Input)
22	040758	2	Washer-Thrust 1.13 x 1.75 x .12
23	018341	1	Bearing-Needle-Thrust 1.84 x 1.13 x .078
24	05933000	4	Screw-Socket Head .44-14 x 1.00
25	018345	1	Key-Square .25 x 1.25 x .25
26	05613000	1	Seal 1.99 x 1.38 x .31
27	08799900	1	Adapter, Engine
28	04902600	1	Stop, Throttle Cable
29	07521500	1	Grip

ELECTRICAL SYSTEM

Model 987070, 071, 072



PJ0023

Item	Part No.	Qty.	Description
1	03654200	1	Switch, Seat
2	03437900	1	Assembly, Switch
3	045601	1	Harness, Wiring Seat Switch
4	038059	16	Terminal
5	020916	2	Switch-Neutral Start (N.O.)
6	107354	1	Nut-Stamped .56-18
7	042176	2	Connector, 2-Wire Switch
8	020660	1	Bracket, Switch

ELECTRICAL SYSTEM

Model 987070, 071, 072

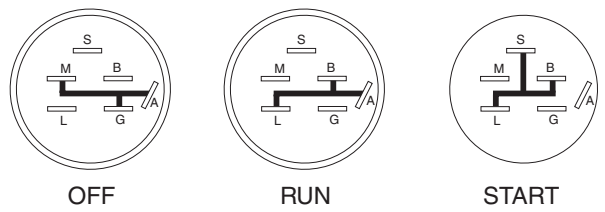
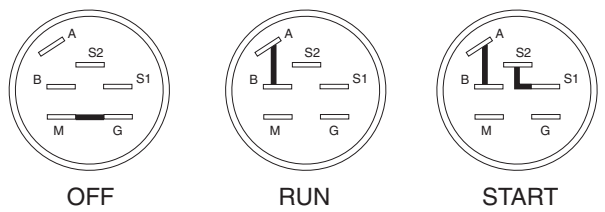
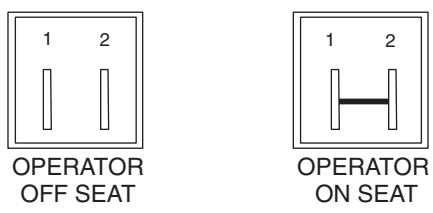
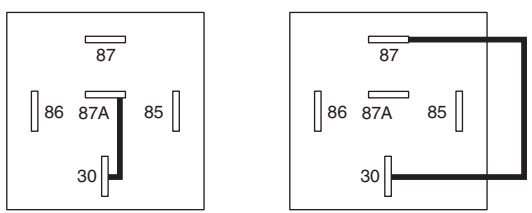
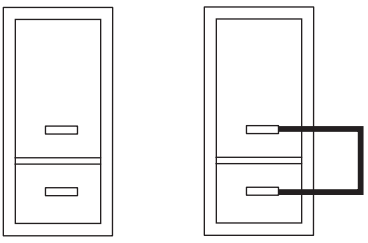
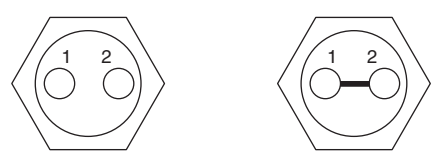
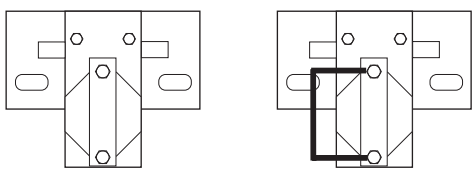
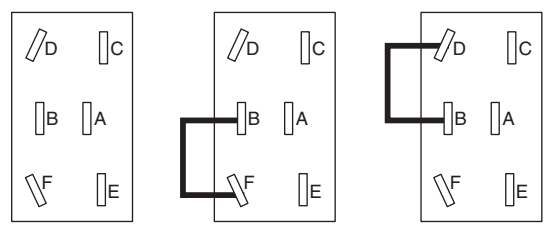
Item	Part No.	Qty.	Description
9	06529700	5	Nut-Locking-Center .25-20
10	05946800	5	Bolt-Hex .25-20 x .75 Grade 5
11	027122	2/1	Clamp
12	06529600	1	Nut-Locking-Center .38-16
13	042289	1	Connector
14	039862	1	Cable, Starter (071, 072) (S/N Range 000101 - 000214)
	049032	1	Cable, Starter (071, 072) (S/N Range 000215 and up)
	040135	1	Cable, Starter (070)
15	06535500	1	Nut-Locking-Center .38-16
16	011676	2	Nut-Speed .25-20
17	044766	1	Solenoid
18	033847	3	Boot, Insulator
19	045920	1	Assembly, Connector Weather Tight
20	045922	2	Terminal For 14-16 Gauge Wire
21	045037	1	Fuse, 25 AMP
22	045921	1	Cover
23	050673	1	Light, Indicator
24	021848	1	Gauge, Ammeter
25	046060	1	Switch, Light
26	045842	1	Key Chain
27	02460700	1	Key With Cap
28	045490	1	Cap, Ignition Switch
29	045489	1	Nut-Panel .56-24 (071, 072)
	045497	1	Nut-Panel .625-32 (070)
30	06310900	1	Washer-Locking-Internal .56 x .040 (071, 072)
	06301900	1	Washer-Locking-Internal .63 x .045 (070)
31	039871	1	Cable, Negative Battery (070)
	04901600	1	Cable, Negative Battery (071, 072)
32	05946900	3	Bolt-Hex .31-18 x 1.00 Grade 5
33	06437200	6	Washer-Flat-Steel .34 x .69 x .065
34	06529800	3	Nut-Locking-Center .31-18
35	050395	1	Clamp-Steel 1.00
36	038256	1	Hour Meter
37	03602300	1	Switch, Key (071, 072)
	08883300	1	Switch,Key (070)
38	038058	2	Connector
39	04901800	1	Harness, Wiring (071, 072)
	08789200	1	Harness, Wiring (070)
40	09044200	1	Module, Interlock Delay
41	03042800	1	Relay
42	06437300	5	Washer-Flat-Steel 28 x .62 x .065
43	08745500	1	Cable, Battery To Magneto Switch
44	08779600	1	Harness, Wiring Ground and Lights
45	036313	6	Cable Tie
46	09044100	2	Adapter, Module
47	039069	2	Head Light
48	04202200	1	Battery
49	037742	2	Clamp
50	06220000	2	Bolt-Round Head Square Neck .25-20 x 1.75 Grade 5
51	06116900	2	Screw-Machine 10-24 x .75 Hex Washer Head
52	07027700	2	Nut-Retaining Ring 10-24

CONTINUITY DIAGRAM

Model 9870070, 071, 072

The diagrams below show the various states of connection for electrical components.
The solid lines on switches show continuity.

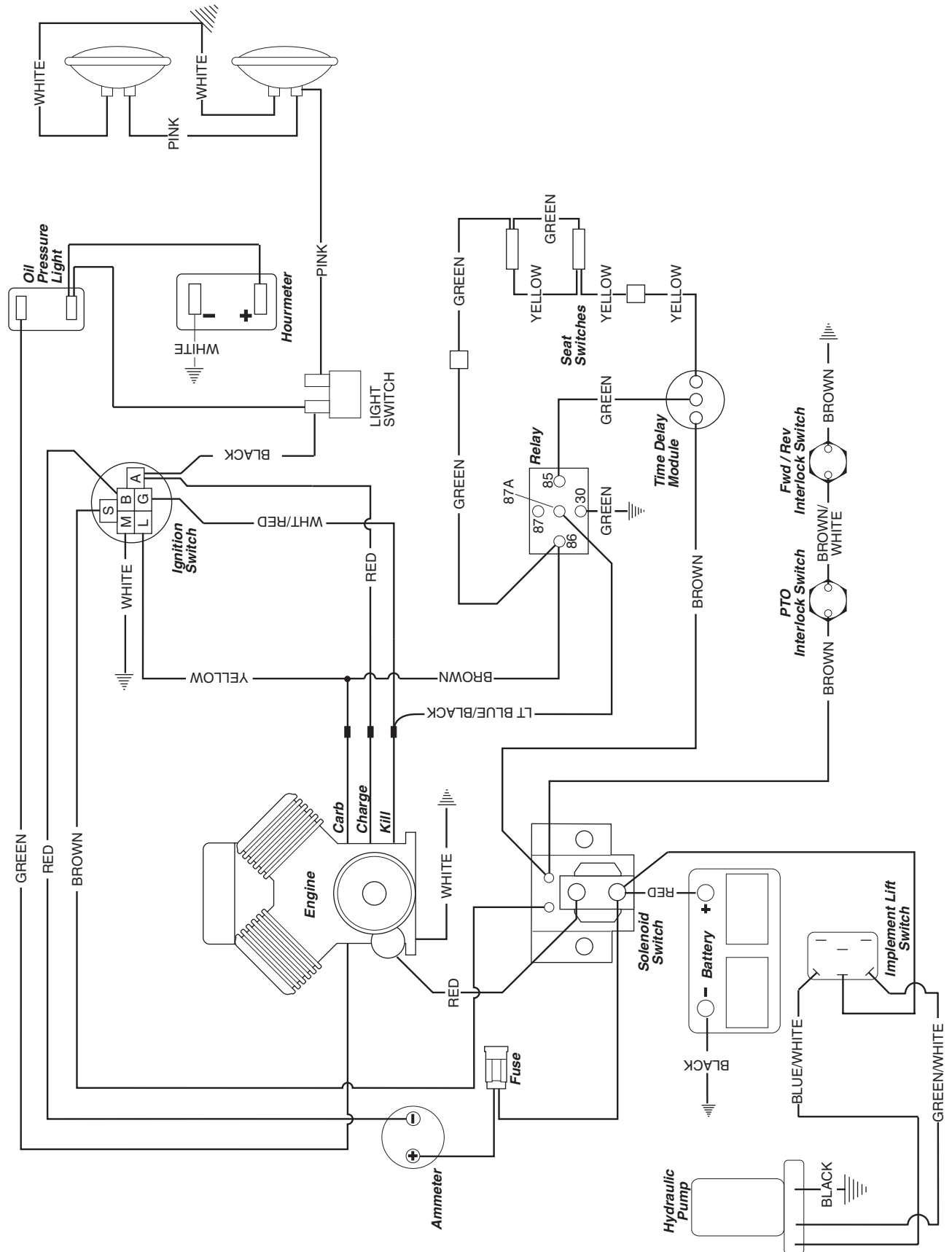
NOTE: All switches are viewed from the rear.

<p>Key Switch (070) (08883300)</p>  <p style="text-align: center;">OFF RUN START</p>	<p>Key Switch (071, 072) (03602300)</p>  <p style="text-align: center;">OFF RUN START</p>
<p>Seat Switch (03654200)</p>  <p style="text-align: center;">OPERATOR OFF SEAT OPERATOR ON SEAT</p>	<p>Relay (03042800)</p>  <p style="text-align: center;">NOT ENERGIZED ENERGIZED</p>
<p>Light Switch (08973300)</p>  <p style="text-align: center;">OFF ON</p>	<p>PTO & FWD/REV Switch (02913100)</p>  <p style="text-align: center;">(BUTTON UP) (BUTTON DOWN)</p>
<p>Solenoid (03492300)</p>  <p style="text-align: center;">NOT ENERGIZED ENERGIZED</p>	<p>Lift Pump Switch (03437900)</p>  <p style="text-align: center;">OFF UP DOWN</p>

PJ0441

WIRING DIAGRAM - BRIGGS AND STRATTON ENGINE

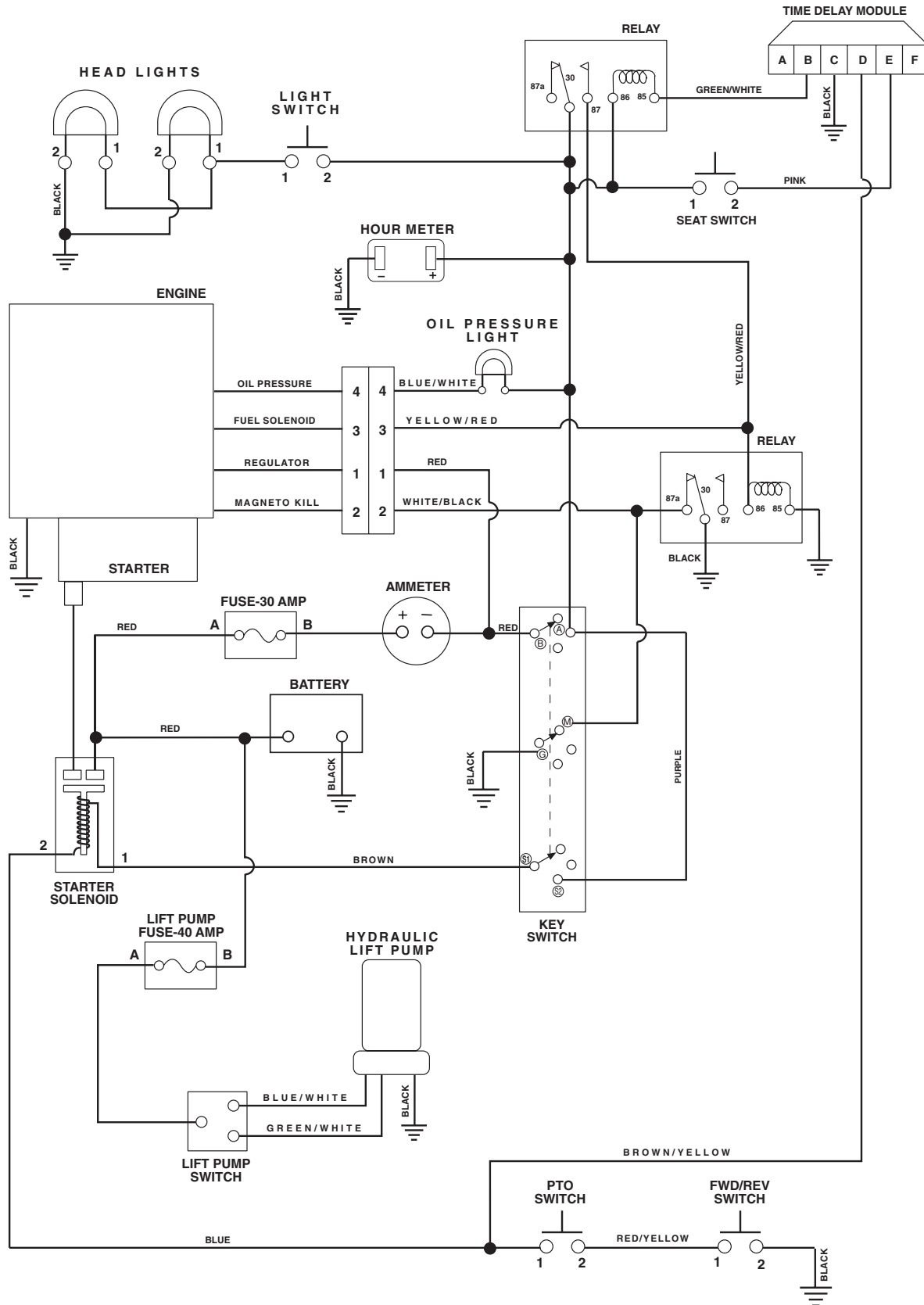
Model 987070



PJ0310

WIRING DIAGRAM - ROBIN ENGINE

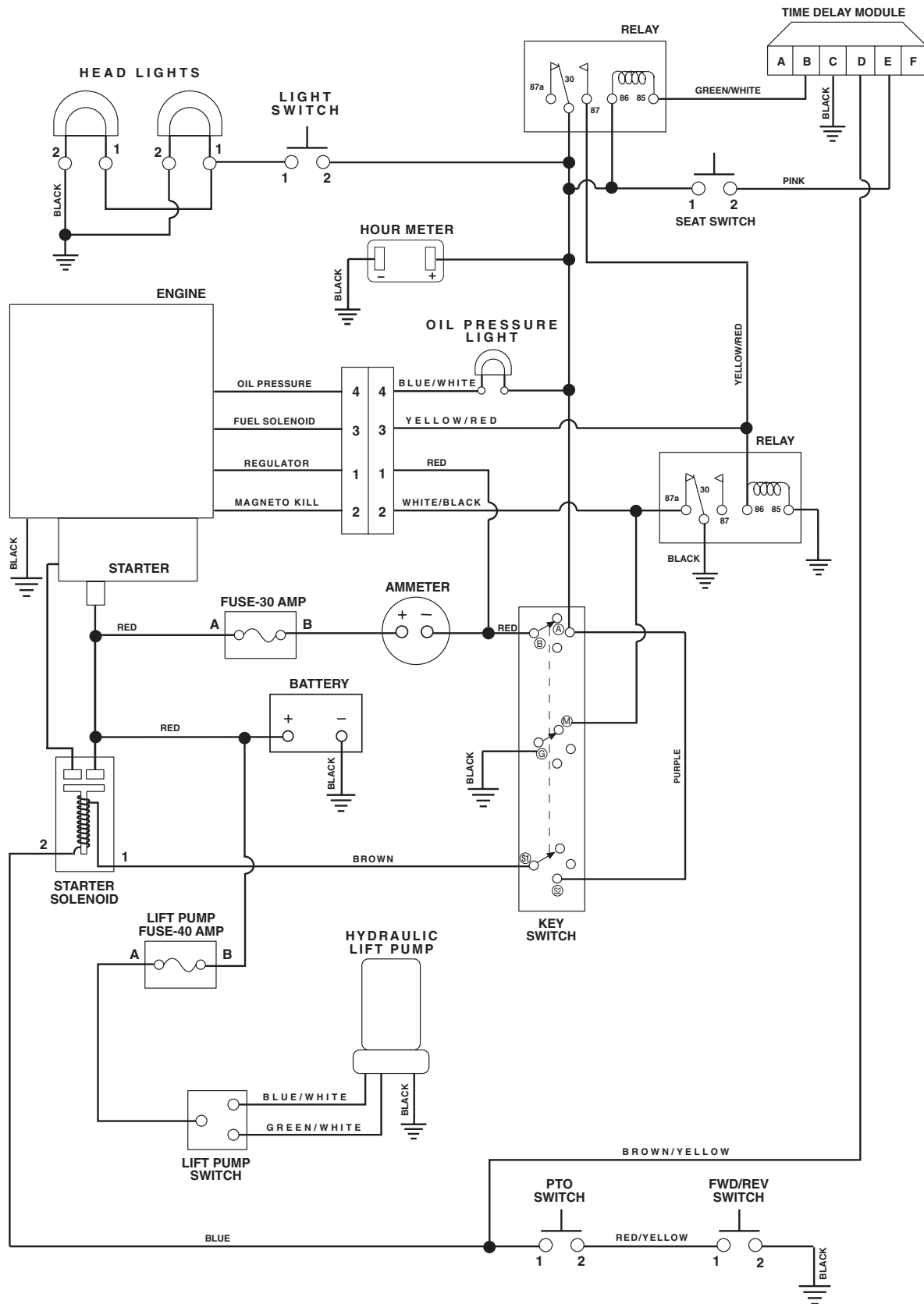
Model **987071** S/N 000101 and up, **987072** S/N 000101 - 000214



PJ0431

WIRING DIAGRAM - ROBIN ENGINE

Model 987072 S/N 000215 and up,



PJ0432



GRAVELY

A Division of Ariens Company

655 West Ryan Street

P.O. Box 157

Brillion, WI 54110-0157

920-756-2141

Fax 920-756-2407

www.gravelly.com