



*50604 - Clutch Hub*

# PROFESSIONAL 24-G TRACTOR ILLUSTRATED PARTS LIST

*1-50786 Hyd Shaft*

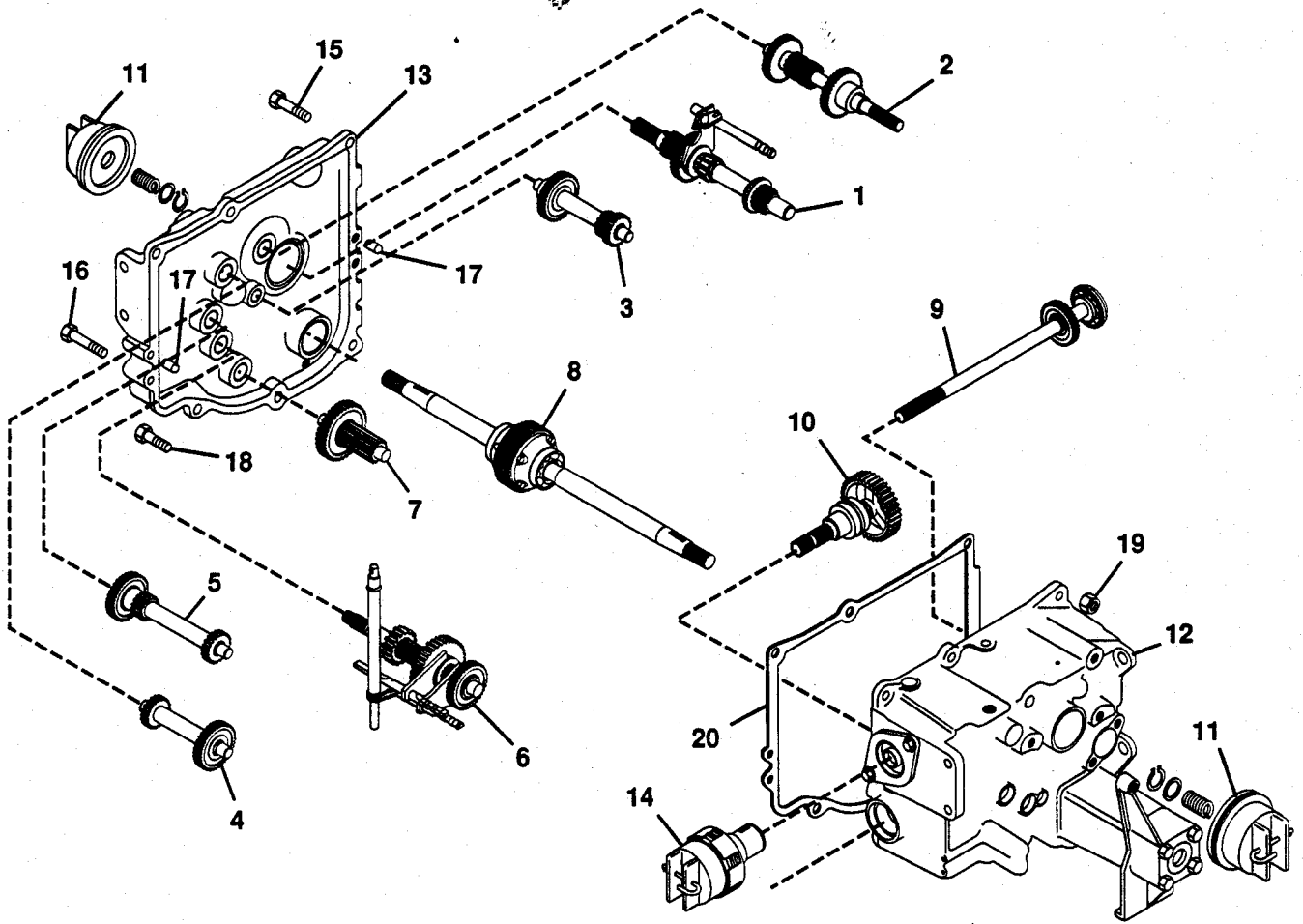
TO CONTINUE ITS PROGRAM OF QUALITY AND DESIGN IMPROVEMENTS, THE MANUFACTURER RESERVES THE RIGHT TO CHANGE SPECIFICATIONS, DESIGNS AND PRICES WITHOUT NOTICE AND WITHOUT INCURRING OBLIGATION. THE MANUFACTURER ALSO RESERVES THE RIGHT TO SHIP WITHOUT NOTICE AND WITHOUT INCURRING OBLIGATION.

 **GRAVELLY**®

# TABLE OF CONTENTS

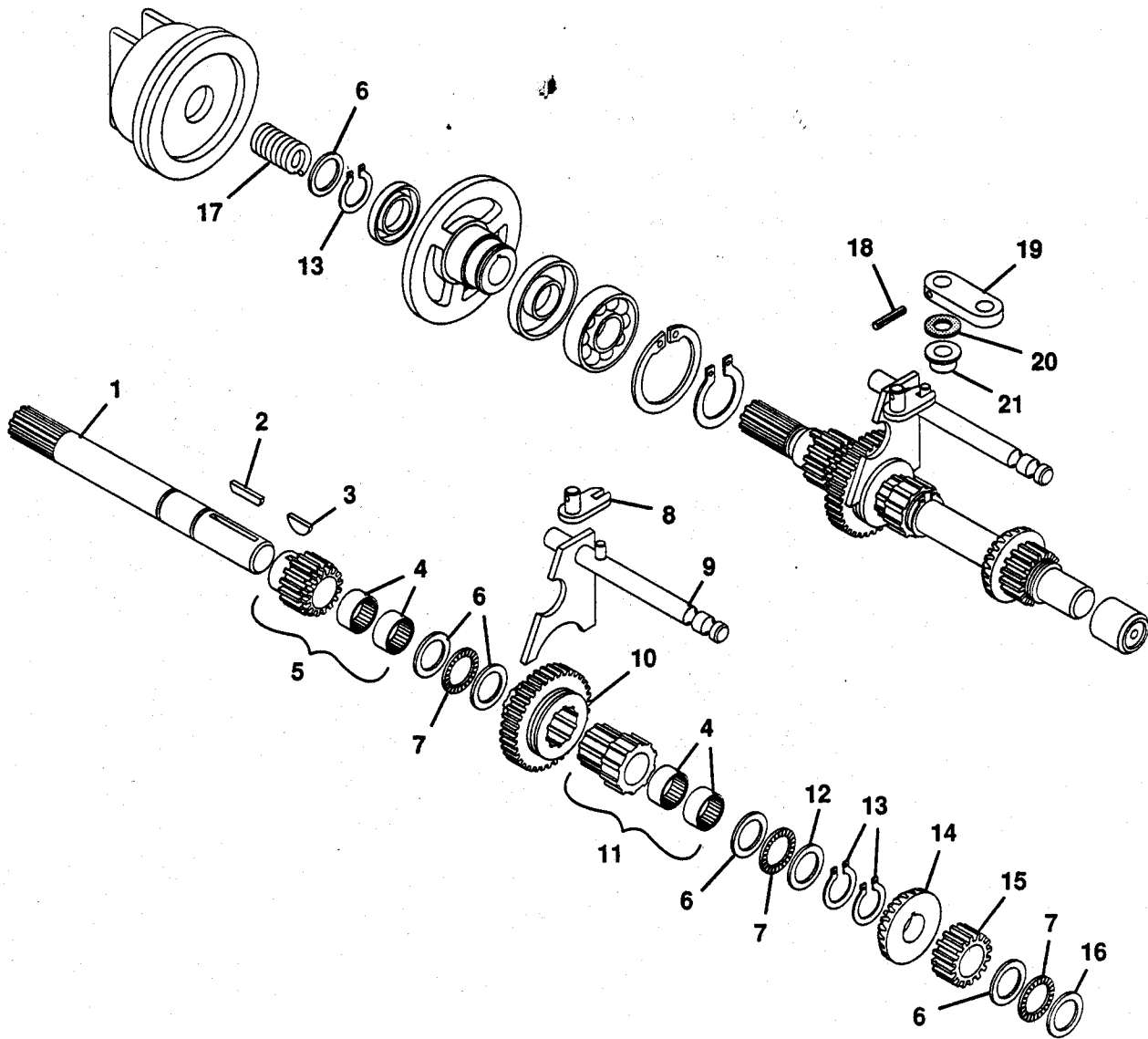
	<u>Page</u>
Transmission .....	1
Number One Shaft - Forward Clutch .....	2
Number Two Shaft - Reverse Clutch .....	3
Number Three Shaft - 3rd and 4th Gear .....	4
Number Four Shaft - Idler .....	4
Number Five Shaft - 1st and 2nd Gear .....	4
Number Six Shaft - Brake/Sliding Gear .....	6
Number Seven Shaft - Pinion/Final Drive .....	6
Number Eight Shaft - Differential Assembly .....	8
Number Nine Shaft - PTO Clutch .....	8
Number Ten Shaft - PTO Drive Assembly .....	10
Number Eleven - Fwd-Rev Clutch Assembly .....	10
Number Twelve - Transmission Case Assembly .....	12
Number Thirteen - Transmission Cover Assembly .....	14
Number Fourteen - PTO Clutch Assembly .....	14
Frame .....	16
Hood and Rear Deck .....	18
Rear Hitch .....	20
Front and Rear Wheels .....	21
Hydraulic System .....	22
Steering .....	24
Direction Control .....	26
Transmission Controls .....	28
Brake Linkage .....	30
Fuel and Exhaust System .....	32
Electrical System .....	34

# TRANSMISSION



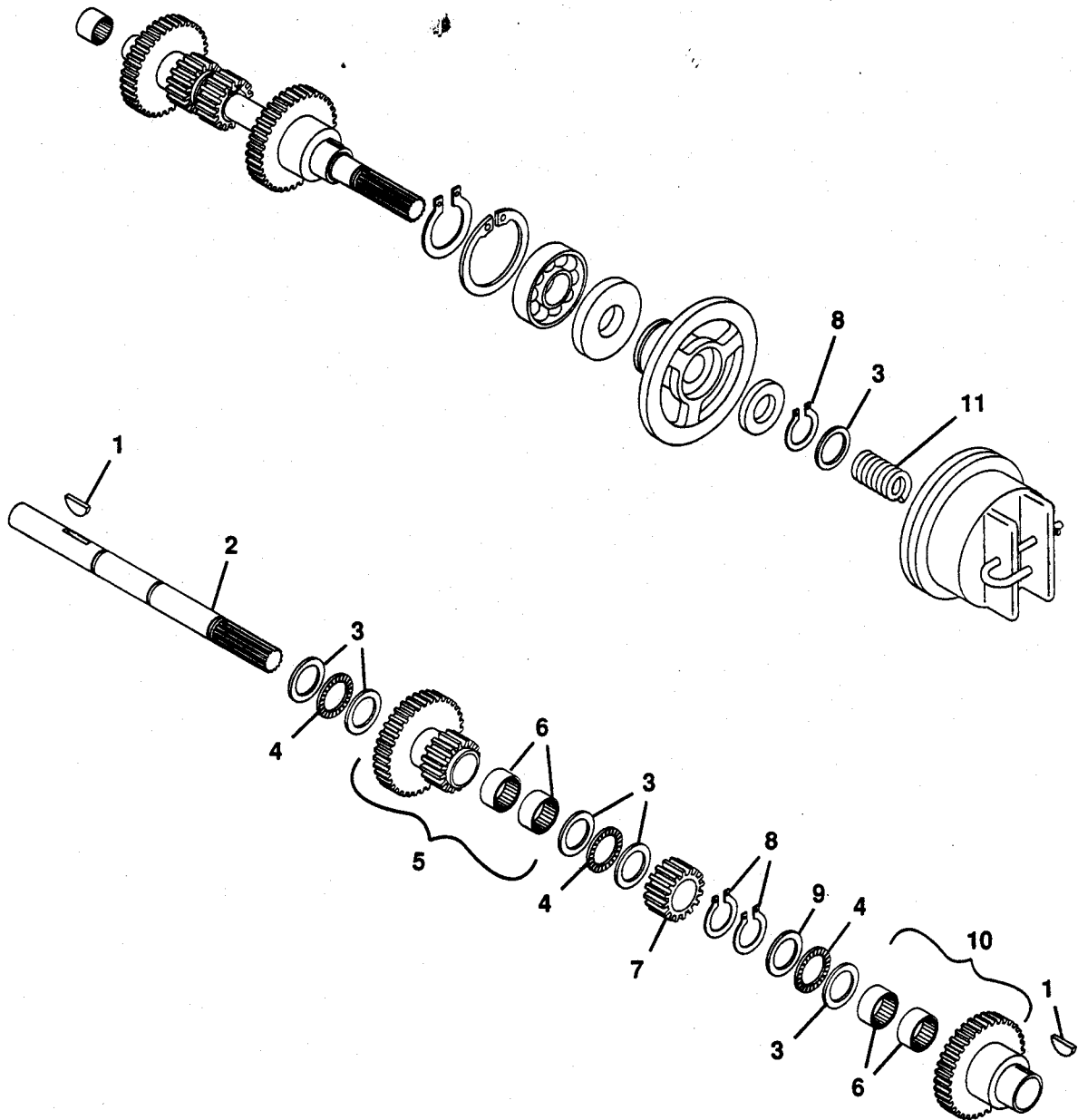
ITEM NO.	PART NO.	QTY.	DESCRIPTION	ITEM NO.	PART NO.	QTY.	DESCRIPTION
1			No. 1 Shaft, Forward Clutch	11			No. 11, Fwd-Rev Clutch Asm.
2			No. 2 Shaft, Reverse Clutch	12			No. 12, Transmission Case Asm.
3			No. 3 Shaft, 3rd and 4th Gear	13			No. 13, Transmission Cover Asm.
4			No. 4 Shaft, Idler	14			No. 14, PTO Clutch Asm.
5			No. 5 Shaft, 1st and 2nd Gear	15	180130	2	Bolt, Hex 3/8-16x2.00
6			No. 6 Shaft, Brake-Sliding Gear	16	180132	2	Bolt, Hex 3/8-16x2.25
7			No. 7 Shaft, Pinion-Final Drive	17	18089	2	Pin, Dowel .375x.625
8			No. 8 Shaft, Differential Asm.	18	180126	4	Bolt, Hex 3/8-16x1.50
9			No. 9 Shaft, PTO Clutch	19	456004	6	Nut, Lock 3/8-16
10			No. 10 Shaft, PTO Drive Asm.	20	18027	1	Gasket, Transmission Cover

# NUMBER ONE SHAFT - FORWARD CLUTCH



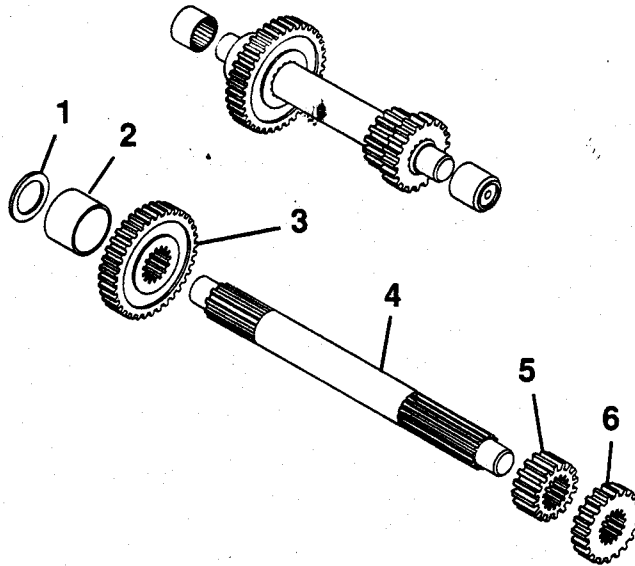
ITEM NO.	PART NO.	QTY.	DESCRIPTION	ITEM NO.	PART NO.	QTY.	DESCRIPTION
1	46371	1	Shaft, Splined Fwd Clutch	12	6742	1	Race, .060 Bearing Thrust
2	117989	1	Key, Woodruff .188x1.25 Hrd #19	13	11135	3	Ring, Retaining .750 Shaft
3	431787	1	Key, Woodruff .188x.625 Hrd #61	14	45585	1	Gear, Bevel
4	17949	4	Bearing, Needle .75x1x.50	15	18003	1	Gear, 10 DP 16 Teeth x .750 Std.
5	18025	1	Gear and Bearing Assembly	16	14998	1	Race, Thrust .752x1.240x.095
6	11223	5	Race, Brg Thrust .752x1.240x.030	17	20444	1	Spring, Comp. 1.0x.80x36 lb/in
7	6741	3	Bearing, Thrust .752x1.240x.078	18	421202	1	Pin, Spring .188x1.00
8	17926	1	Weldment, Shifter	19	17929	1	Arm, Shifter
9	20755	1	Weldment, Shift Rail	20	21141	1	Washer, Felt
10	18011	1	Gear, Spur	21	17925	1	Bush., Flg. .502x.880x1.00 Brz.
11	18007	1	Gear and Bearing Assembly				

## NUMBER TWO SHAFT - REVERSE CLUTCH

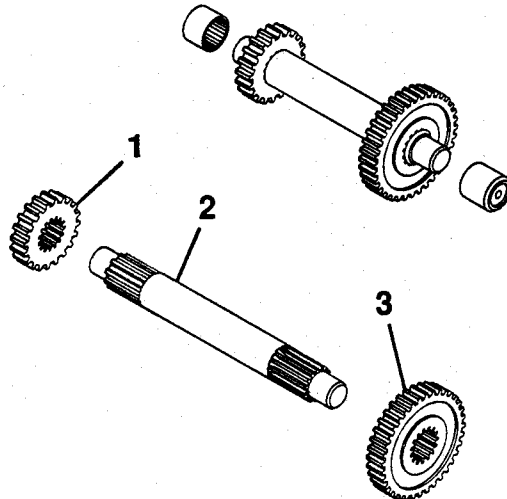


ITEM NO.	PART NO.	QTY.	DESCRIPTION	ITEM NO.	PART NO.	QTY.	DESCRIPTION
1	431787	2	Key, Woodruff .188x.625 Hrd #61	7	18003	1	Gear, 10 DP 16 Teeth x .750 Std.
2	34730	1	Shaft, Splined Rev Clutch	8	11135	3	Ring, Retaining .750 Shaft
3	11223	6	Race, Brg Thrust .752x1.240x.030	9	6742	1	Race, .060 Bearing Thrust
4	6741	3	Brg, Needle Thst. .752x1.24x.078	10	17947	1	Assembly, Reverse Gear and Brg
5	18020	1	Gear, Idler Assembly	11	20444	1	Spring, Comp. 1.0x.80x36 lb/in
6	17949	4	Bearing, Needle .75x1x.50				

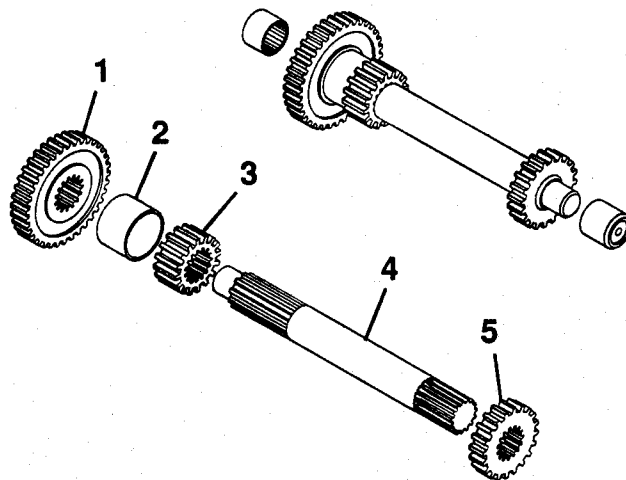
### NUMBER THREE SHAFT - 3RD AND 4TH GEAR



### NUMBER FOUR SHAFT - IDLER



### NUMBER FIVE SHAFT - 1ST AND 2ND GEAR



### NUMBER THREE SHAFT - 3RD AND 4TH GEAR

ITEM NO.	PART NO.	QTY.	DESCRIPTION	ITEM NO.	PART NO.	QTY.	DESCRIPTION
1	18000	1	Brg, Thrust Race .627x1.115x.094	4	17997	1	Shaft, Splined
2	17999	1	Bush., St. 1.03x1.13x.457 Stl.	5	17992	1	Gear, 10 DP 16 Teeth x .750
3	19535	1	Gear	6	15118	1	Gear, 10 DP 20 Teeth x .600

### NUMBER FOUR SHAFT - IDLER

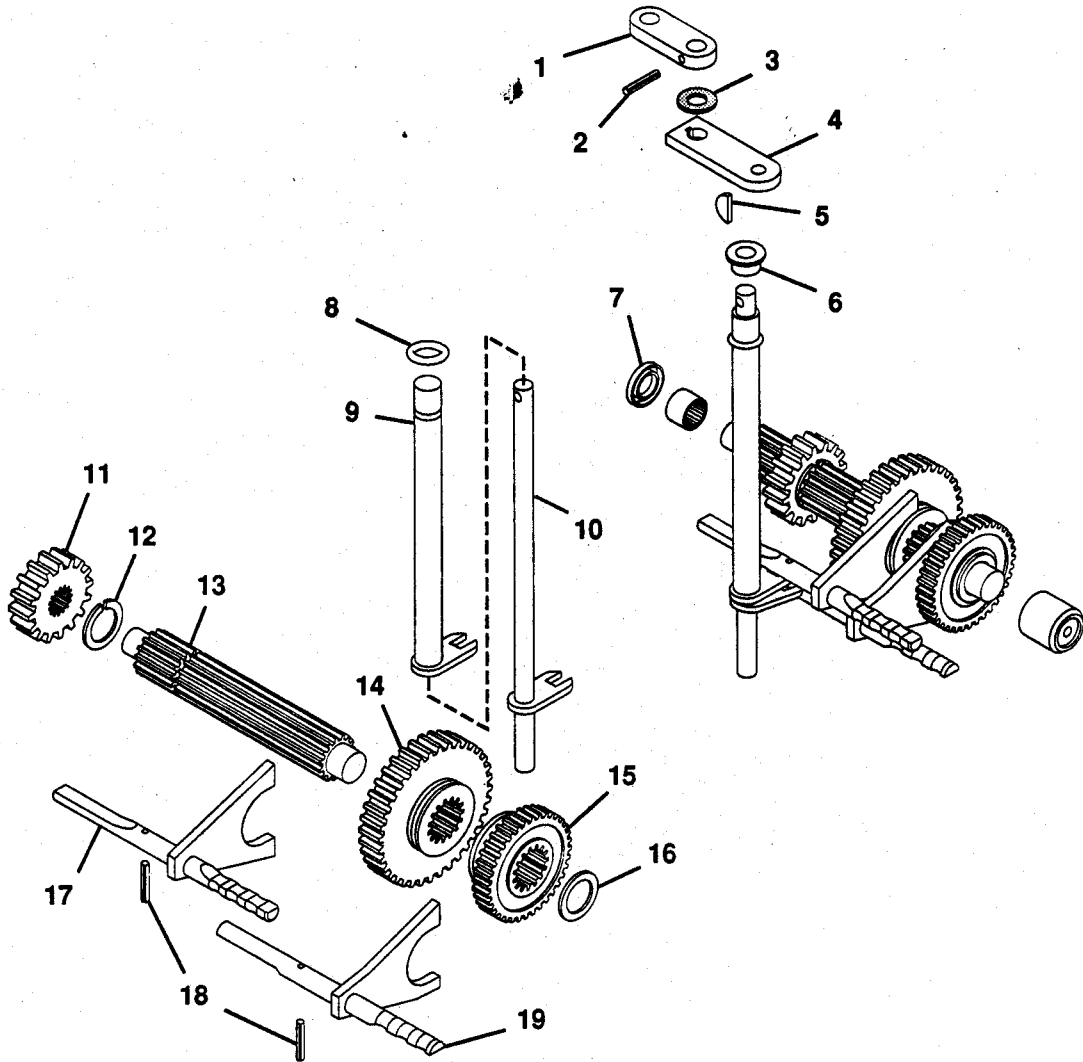
ITEM NO.	PART NO.	QTY.	DESCRIPTION	ITEM NO.	PART NO.	QTY.	DESCRIPTION
1	15118	1	Gear, 10 DP 20 Teeth x .600	3	15115	1	Gear, 10 DP 30 Teeth x .500
2	17995	1	Shaft, Splined				

### NUMBER FIVE SHAFT - 1ST AND 2ND GEAR

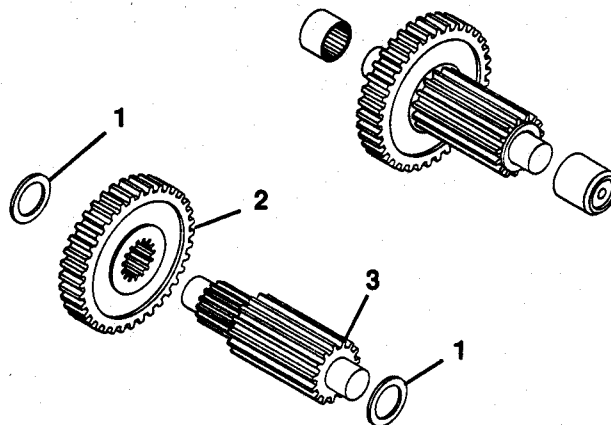
ITEM NO.	PART NO.	QTY.	DESCRIPTION	ITEM NO.	PART NO.	QTY.	DESCRIPTION
1	15115	1	Gear, 10 DP 30 Teeth x .500	4	17989	1	Shaft, Splined
2	17993	1	Bush., St. 1.03x1.13x1.13 Stl.	5	15118	1	Gear, 10 DP 20 Teeth x .600
3	17992	1	Gear, 10 DP 16 Teeth x .750				



## NUMBER SIX SHAFT - BRAKE/SLIDING GEAR



## NUMBER SEVEN SHAFT - PINION/FINAL DRIVE



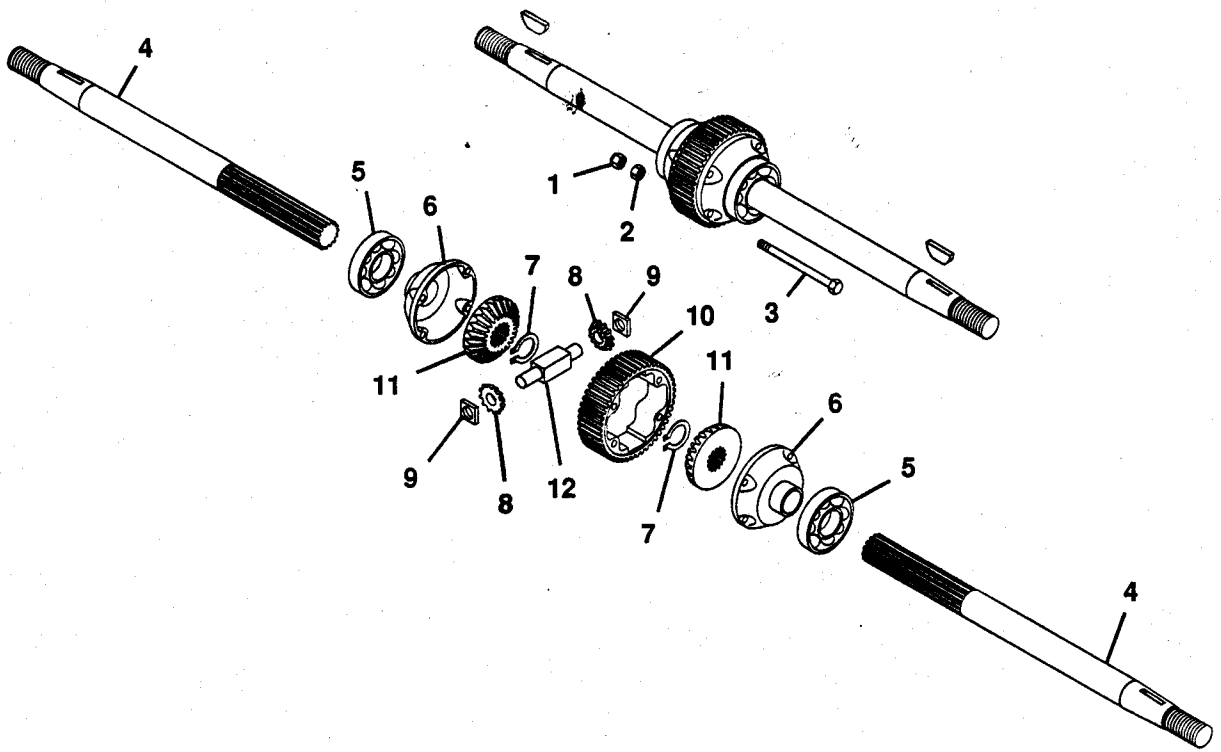
## NUMBER SIX SHAFT - BRAKE/SLIDING GEAR

ITEM NO.	PART NO.	QTY.	DESCRIPTION	ITEM NO.	PART NO.	QTY.	DESCRIPTION
1	17945	1	Arm, Shifter	11	14988	1	Gear, 8 DP 16 Teeth x .850
2	421202	1	Pin, Spring .188x1.000	12	14987	1	Ring, Retaining 1.00 Shaft
3	21141	1	Washer, Felt (Special for Trans.)	13	35438	1	Shaft, Slide Gear
4	17944	1	Arm, Shifter	14	14989	1	Gear, Sliding 10 DP 36 Teeth x .59
5	271089	1	Key, Woodruff .125x.375 Hard	15	14995	1	Gear, Sliding 10 DP 30 Teeth x .59
6	17943	1	Bush., Flg. .758x1.00x1.13 Brz.	16	14998	1	Race, Brg Thrust .752x1.240x.095
7	15137	1	Seal, Oil .750x1.254x.188	17	20761	1	Wldmt, Rail Shift Fork 1&3 Range
8	18018	1	O-Ring, 5/8x3/4x1/16	18	456390	2	Pin, Spring .25x.75
9	17940	1	Weldment, 1st and 3rd Shifter	19	20762	1	Wldmt, Rail Shift Fork 2&4 Range
10	17937	1	Weldment, 2nd and 4th Shifter				

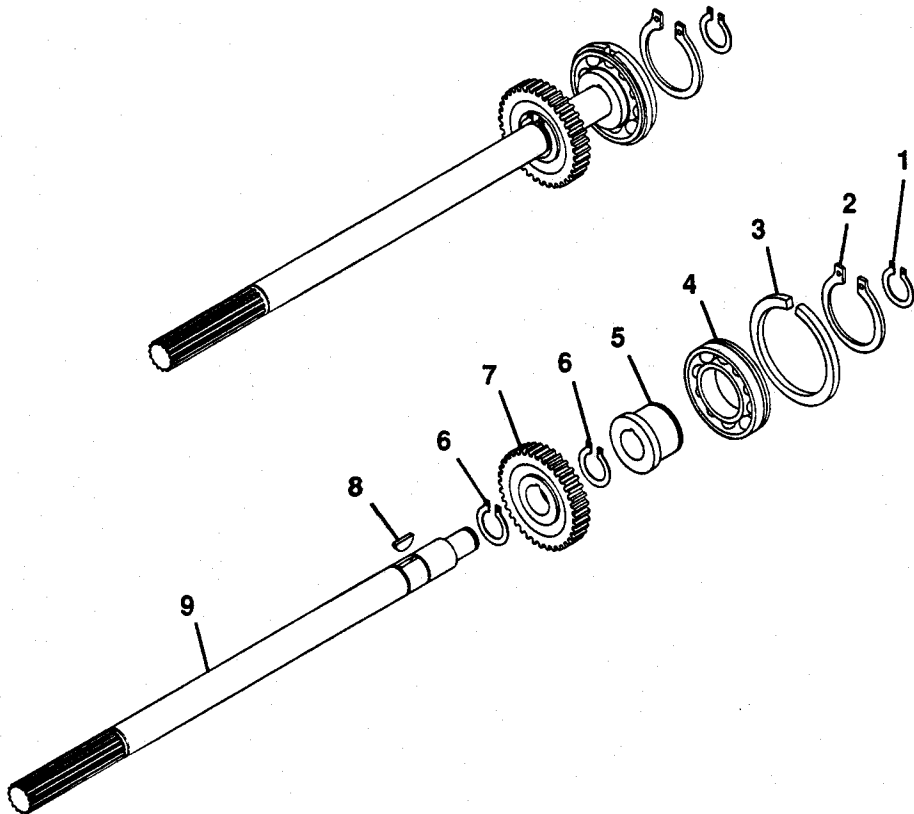
## NUMBER SEVEN SHAFT - PINION/FINAL DRIVE

ITEM NO.	PART NO.	QTY.	DESCRIPTION	ITEM NO.	PART NO.	QTY.	DESCRIPTION
1	19340	2	Race, Brg Thrust 1.002x1.552x.03	3	17986	1	Pinion, Final Drive
2	17987	1	Gear, 8 DP 30 Teeth x .750				

# NUMBER EIGHT SHAFT - DIFFERENTIAL ASSEMBLY



# NUMBER NINE SHAFT - PTO CLUTCH



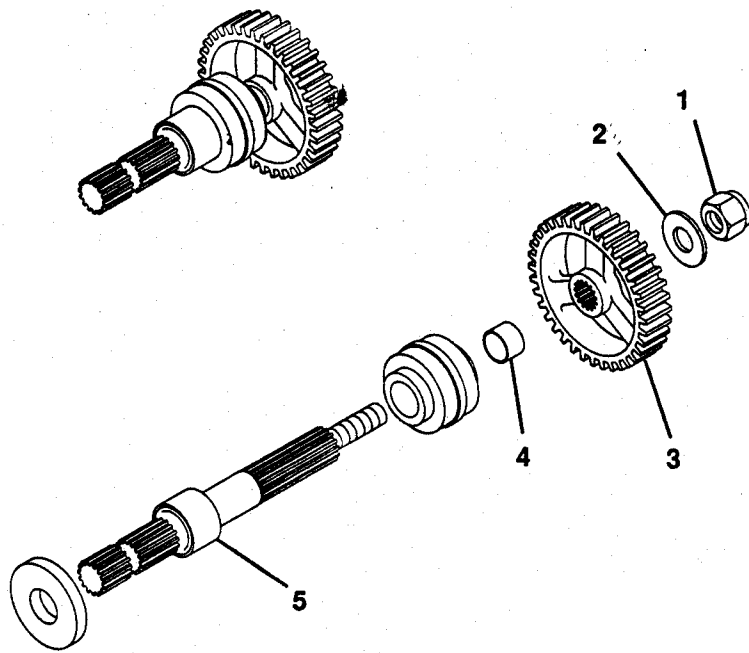
## NUMBER EIGHT SHAFT - DIFFERENTIAL ASSEMBLY

ITEM NO.	PART NO.	QTY.	DESCRIPTION	ITEM NO.	PART NO.	QTY.	DESCRIPTION
1	419455	4	Nut, Lock 5/16-18	7	21608	2	Ring, Retaining 1.250 Sft Heavy
2	20514	4	Nut, Hex 5/16-18 Grade-8	8	19952	2	Pinion, Bevel
3	23712	4	Bolt, Hex 5/16-18x2.75 Grade-8	9	46376	2	Block, Drive
4	50116	2	Axle, Bevel Gear Differential	10	23531	1	Gear, Final Drive
5	46014	2	Bearing, Ball	11	46012	2	Gear, Bevel
6	46013	2	Cap, Differential End	12	19954	1	Pin, Spider Pinion

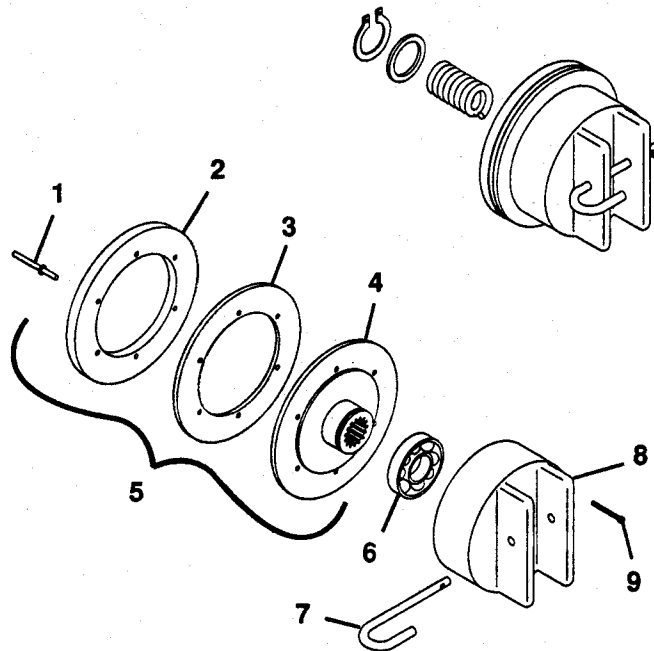
## NUMBER NINE SHAFT - PTO CLUTCH

ITEM NO.	PART NO.	QTY.	DESCRIPTION	ITEM NO.	PART NO.	QTY.	DESCRIPTION
1	11135	1	Ring, Retaining .750 Shaft	6	21557	2	Ring, Retaining .984 Shaft
2	23523	1	Ring, Retaining	7	35441	1	Gear, PTO Cross Shaft
3	17966	1	Ring, Retaining	8	124549	1	Key, Woodruff .187x.750 Hrd #9
4	17967	1	Bearing, Ball 1.378x2.440x.551	9	42635	1	Shaft, PTO
5	35491	1	Adapter, PTO Bearing				

## NUMBER TEN SHAFT - PTO DRIVE ASSEMBLY



## NUMBER ELEVEN - FWD-REV CLUTCH ASSEMBLY



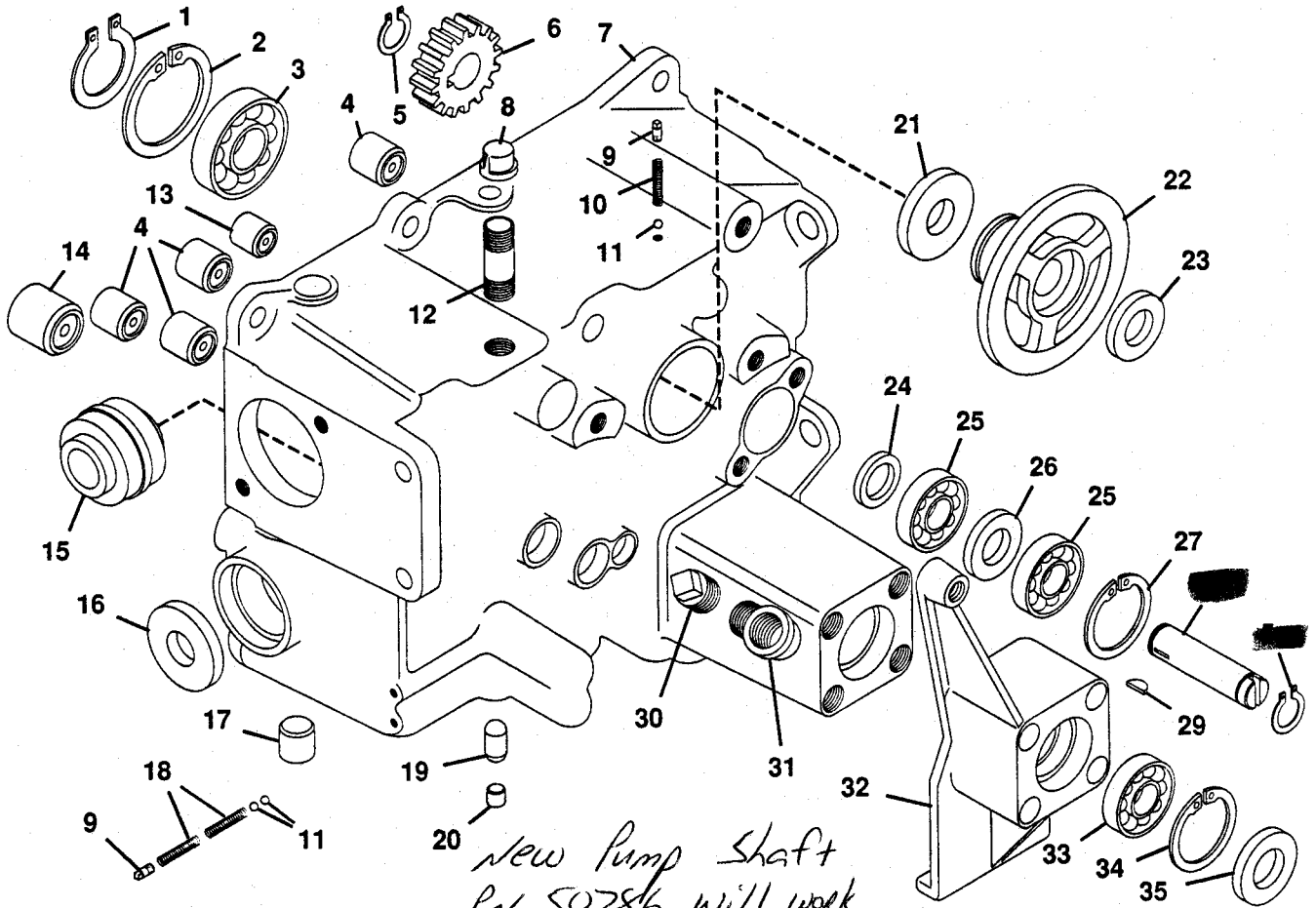
## NUMBER TEN SHAFT - PTO DRIVE ASSEMBLY

ITEM NO.	PART NO.	QTY.	DESCRIPTION	ITEM NO.	PART NO.	QTY.	DESCRIPTION
1	414075	1	Nut, Lock 5/8-11	4	17924	1	Bush., St. 1.06x1.38x1.38 Stl.
2	33845	1	Washer, Flat .687x1.312x.122	5	19538	1	Shaft, PTO
3	45114	1	Gear, PTO 34 Tooth				

## NUMBER ELEVEN - FWD-REV CLUTCH ASSEMBLY

ITEM NO.	PART NO.	QTY.	DESCRIPTION	ITEM NO.	PART NO.	QTY.	DESCRIPTION
1	44141	1	Rivet, Steel (Bag of 50)	6	35330	2	Bearing, Ball 1.574x3.149x.708
2	40692	2	Lining, Clutch	7	35681	2	Pin, Clutch Spring
3	42481	2	Ring, Clutch	8	34734	2	Trunnion, Fwd-Rev Clutch
4	42484	2	Disc, Clutch	9	121223	2	Pin, Cotter .06x.75
5	42482	2	Assembly, Clutch and Ring				

# NUMBER TWELVE - TRANSMISSION CASE ASSEMBLY



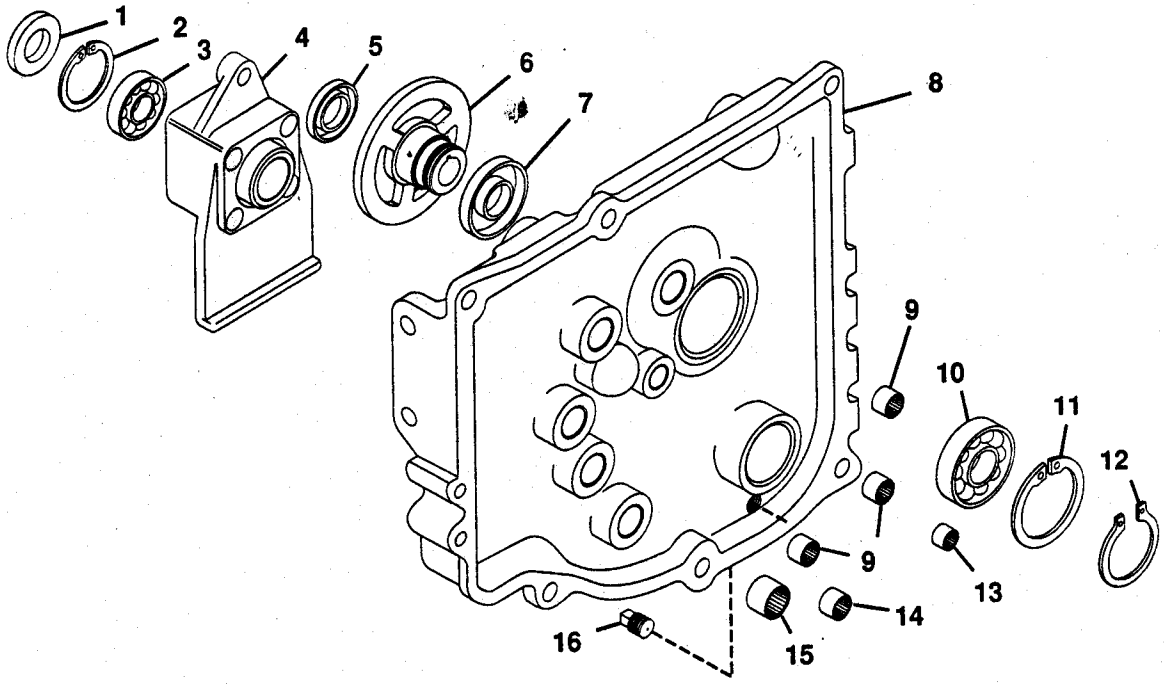
*New Pump Shaft  
 PN 50786 will work  
 in all Trans & with  
 any Hyd Pump.*

## NUMBER TWELVE - TRANSMISSION CASE ASSEMBLY

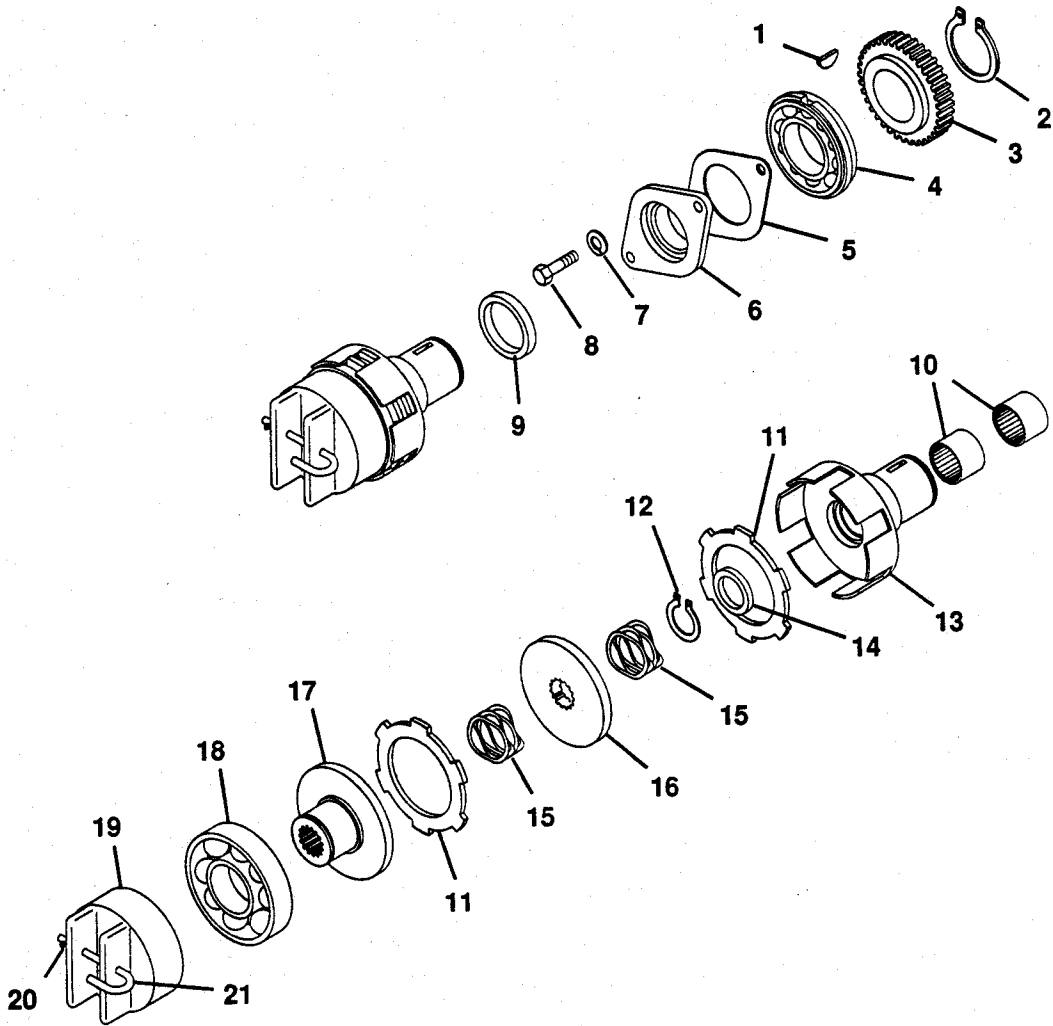
ITEM NO.	PART NO.	QTY.	DESCRIPTION	ITEM NO.	PART NO.	QTY.	DESCRIPTION
1	17919	1	Ring, Retaining 1.969 Shaft	19	18200	1	Pin, Interlock
2	18872	1	Ring, Retaining 3.156 Bore	20	421743	1	Plug, Cup 3/8
3	17915	1	Bearing, Ball 1.968x3.149x.629	21	17917	2	Seal, Oil 2.250x3.005x.375
4	17913	4	Bearing, Needle .75x1x.75	22	18024	1	Hub, Clutch
5	18809	2	Ring, Retaining .594 Shaft	23	18035	1	Seal, Oil .75x1.625x.25
6	18808	1	Gear, Hydraulic Pump	24	18807	1	Bush., St. .620x.750x.276 Stl.
7	46099	1	Assembly, Transmission Case	25	12626	2	Bearing, Ball .590x1.378x.433
8	19472	1	Cap, Pipe 1/2 NPT	26	18798	1	Bush., St. .620x.750x.364 Stl.
9	103877	3	Plug, Pipe 1/8	27	18799	1	Ring, Retaining 1.378 Bore
10	24772	1	Spring	28	50786	1	Shaft, Hydraulic Pump
11	274301	5	Ball, Steel 5/16	29	271089	1	Key, Woodruff .125x.375 Hard
12	121664	1	Nipple, Pipe 1/2x2.5	30	103880	1	Plug, Pipe 1/2
13	17914	1	Bearing, Needle .625x.812x.750	31	108686	1	Elbow, 1/2 90 Degree Street
14	17912	1	Bearing, Needle 1.000x1.250x.75	32	42976	1	Retainer, Axle Bearing
15	14640	1	Asm, Bearing 1.00x1.98x1.243	33	50473	1	Bearing, Ball Sealed
16	17923	1	Seal, Oil 1.375x2.129x.312	34	18812	1	Ring, Retaining .08 Thick
17	17946	1	Plug	35	51096	1	Seal, Oil Axle
18	17936	4	Spring, Comp. 1.50x.30x26 lb/in				



# NUMBER THIRTEEN - TRANSMISSION COVER ASSEMBLY



# NUMBER FOURTEEN - PTO CLUTCH ASSEMBLY



## NUMBER THIRTEEN - TRANSMISSION COVER ASSEMBLY

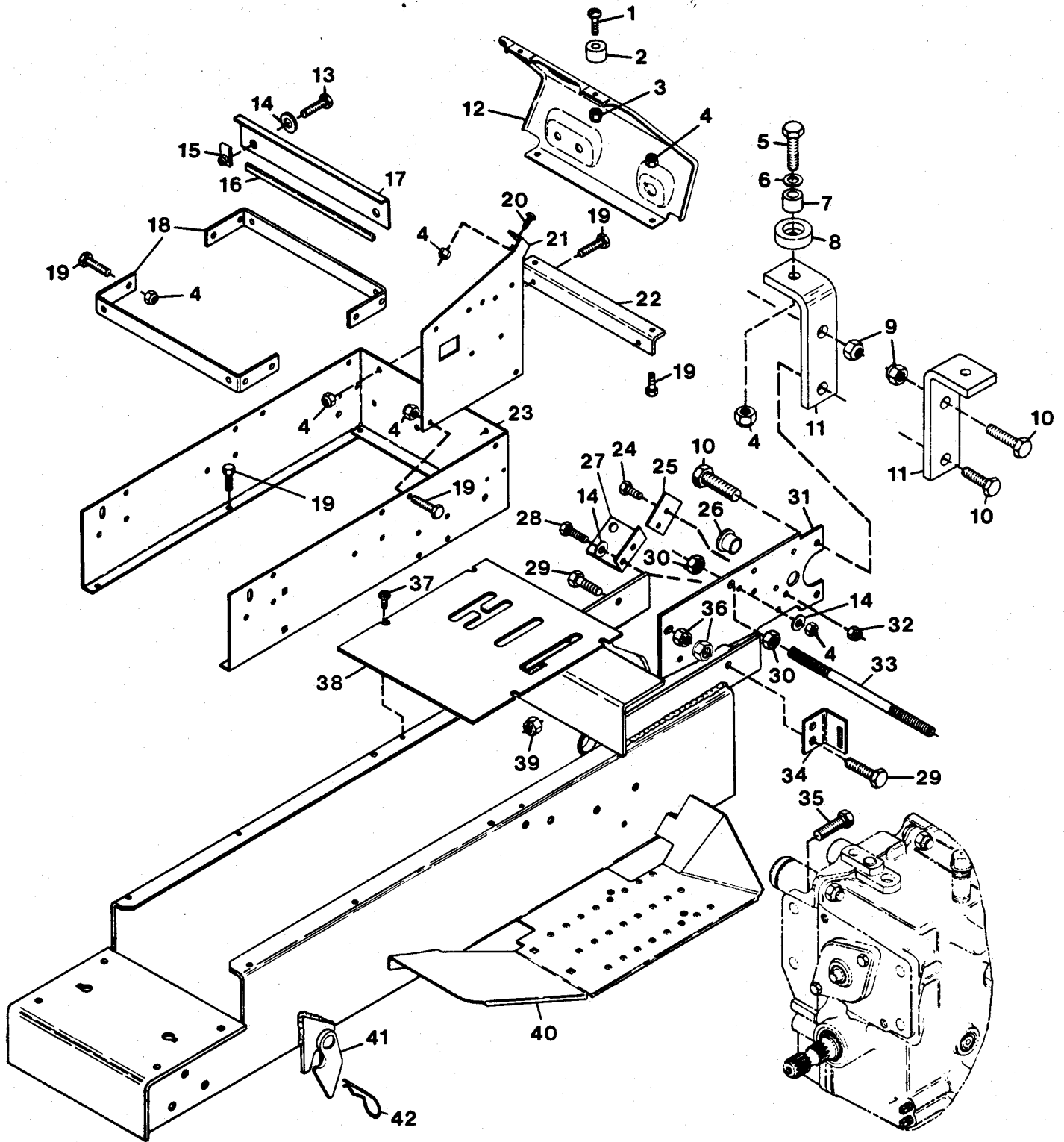
ITEM NO.	PART NO.	QTY.	DESCRIPTION	ITEM NO.	PART NO.	QTY.	DESCRIPTION
1	51096	1	Seal, Oil Axle	9	17913	3	Bearing, Needle .75x1x.75
2	18812	1	Ring, Retaining .08 Thick	10	46321	1	Bearing, Ball
3	50473	1	Bearing, Ball Sealed	11	46322	1	Ring, Retaining .109 Thick
4	46061	1	Retainer, Axle Bearing	12	17919	1	Ring, Retaining 1.969 Shaft
5	18035	1	Seal, Oil .750x1.625x.250	13	17914	1	Bearing, Needle .625x.812x.75
6	50604	1	Hub, Clutch	14	11063	1	Bearing, Needle .75x1x.75
7	46323	1	Seal, Oil	15	17912	1	Brg, Needle 1.000x1.250x.750
8	50648	1	Assembly, Transmission Cover	16	103879	1	Plug, Pipe 3/8

## NUMBER FOURTEEN - PTO CLUTCH ASSEMBLY

ITEM NO.	PART NO.	QTY.	DESCRIPTION	ITEM NO.	PART NO.	QTY.	DESCRIPTION
1	124553	1	Key, Woodruff .250x1.00 Hrd #15	12	17980	1	Ring, Retaining .08 Thick
2	17919	1	Ring, Retaining 1.969 Shaft	13	42631	1	Hub, PTO Clutch
3	47130	1	Gear, PTO Input	14	45132	1	Seal, Oil 1.000x1.500x.250
4	45118	1	Bearing, Ball 1.968x3.149x.63	15	50958	2	Spring, Wave
5	21528	1	Gasket, Front PTO Cap	16	42636	1	Plate, Clutch
6	45116	1	Cap, Front PTO	17	42637	1	Hub, Clutch Actuating
7	120214	2	Washer, Lock 5/16 Reg.	18	35330	1	Bearing, Ball 1.574x3.149x.70
8	180077	2	Bolt, Hex 5/16-18x.75	19	34734	1	Trunnion, Fwd-Rev Clutch
9	17917	1	Seal, Oil 2.250x3.005x.375	20	121223	1	Pin, Cotter .06x.75
10	45121	2	Bearing, Roller	21	35681	1	Pin, Clutch Spring
11	42634	2	Disc, Clutch				

*51555 - Clutch Hub*

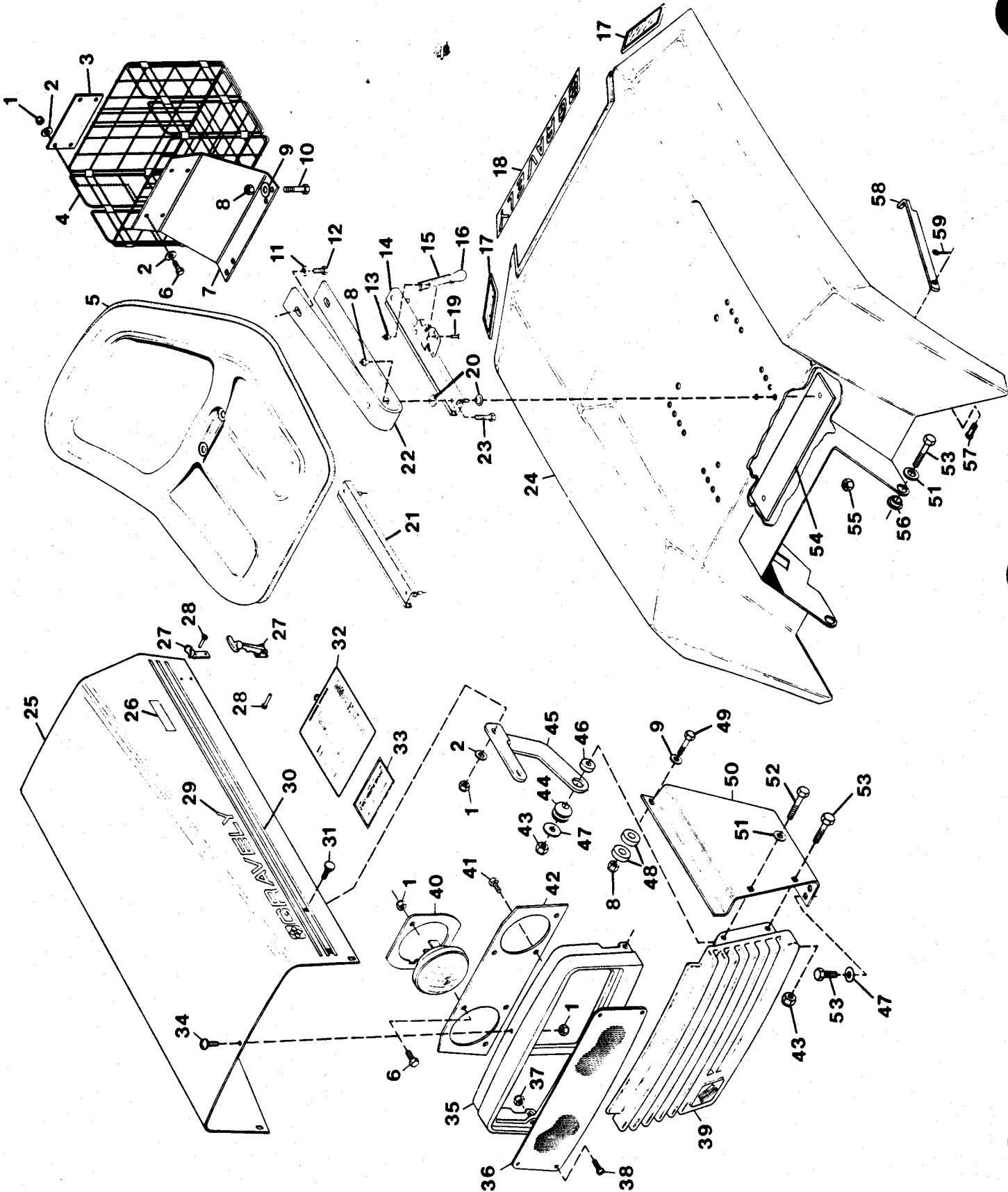
# FRAME



# FRAME

ITEM NO.	PART NO.	QTY.	DESCRIPTION	ITEM NO.	PART NO.	QTY.	DESCRIPTION
1	159341	2	Screw, Machine 6-32x.625 PHD	22	40548	1	Bracket, Instrument Panel
2	18183	2	Bumper	23	50998	1	Support, Instrument Panel
3	427254	2	Nut, Machine Lock 6-32	24	180077	4	Bolt, Hex 5/16-18x.75
4	419454	26	Nut, Lock 1/4-20	25	40822	2	Bracket, Bushing Lock
5	180024	2	Bolt, Hex 1/4-20x1.25	26	10174	2	Bush., Fig. .764x1.47x.560 Ny.
6	120386	2	Washer, Flat .312x.734x.065	27	46305	1	Bracket, Interlock Switch
7	34723	2	Bush., St. .265x.375x.250 Stl.	28	180022	2	Bolt, Hex 1/4-20x1.00
8	24357	2	Bumper, Seat	29	180126	2	Bolt, Hex 3/8-16x1.50
9	435507	2	Nut, Lock 1/2-13	30	120378	4	Nut, Hex 1/2-13
10	180177	4	Bolt, Hex 1/2-13x1.50	31	46301	2	Plate, Fwd-Rev Mounting
11	45594	2	Bracket, Rear Hitch	32	419455	4	Nut, Lock 5/16-18
12	46286	1	Panel, Silk Screen	33	40207	1	Rod, Frame Extension Brace
13	180021	4	Bolt, Hex 1/4-20x.875	34	46306	1	Bracket, Fender Hold-Up
14	120392	8	Washer, Flat .281x.625x.065	35	181700	4	Bolt, Hex 1/2-20x1.50
15	32369	4	Nut, Retainer	36	456004	3	Nut, Lock 3/8-16
16	14897	2	Moulding	37	167260	4	Screw, Tapping 1/4-20x.625 PHD
17	22421	2	Bracket, Forward Tank	38	47399	1	Plate, Control Cover Silk Screen
18	45831	2	Bracket, Fuel Tank	39	11058	4	Nut, Rim
19	180020	22	Bolt, Hex 1/4-20x.75	40	50999	1	Weldment, Frame
20	160541	2	Screw, Machine 1/4-20x.75 PHD	41	21087	1	Weldment, Mower Bracket R.H.
21	40449	1	Brace, Instrument Panel L.H.		21088	1	Weldment, Mower Bracket L.H.
	40450	1	Brace, Instrument Panel R.H.	42	10405	2	Pin, Hair

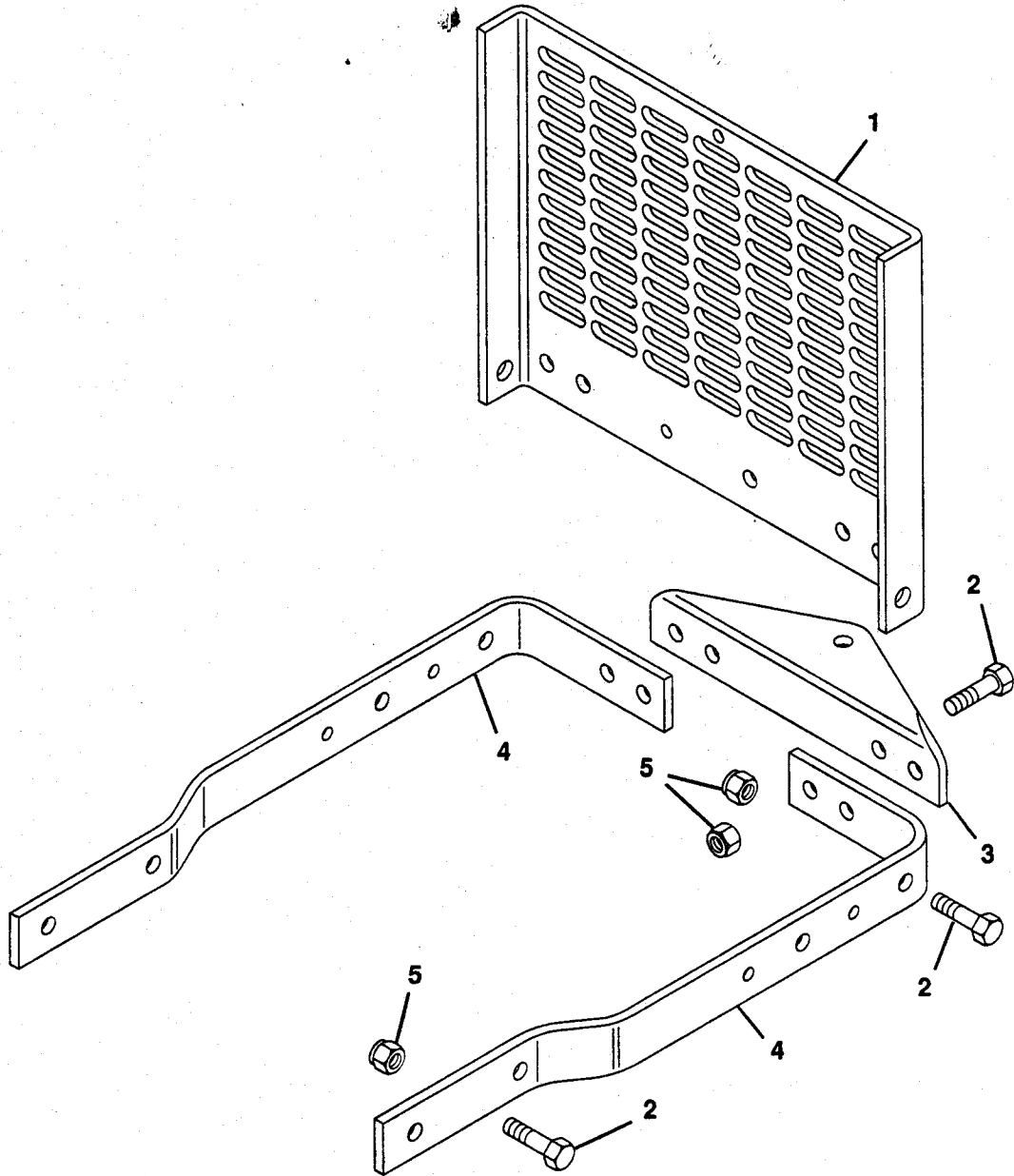
# HOOD AND REAR DECK



## HOOD AND REAR DECK

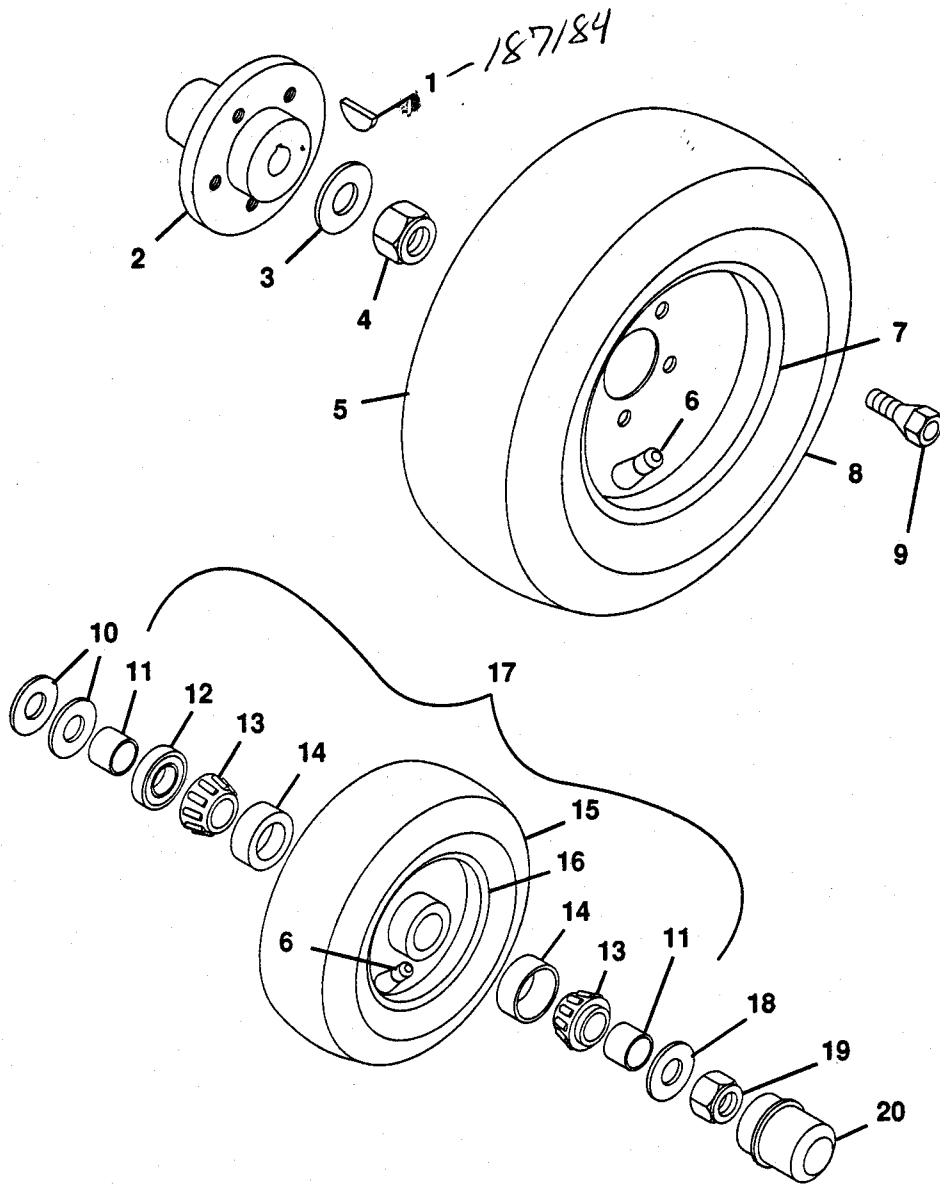
ITEM NO.	PART NO.	QTY.	DESCRIPTION	ITEM NO.	PART NO.	QTY.	DESCRIPTION
1	419454	15	Nut, Lock 1/4-20	32	40754	1	Decal, Maintenance
2	120392	8	Washer, Flat .281x.625x.065	33	11989	2	Decal, Electrical System Warning
3	46236	1	Strap, Basket	34	160541	3	Screw, Machine 1/4-20 PHD
4	46247	1	Basket	35	38673	1	Bezel, Headlight
5	48918	1	Seat, High Back	36	38671	1	Panel, Headlight Lense
6	180022	8	Bolt, Hex 1/4-20x1.00	37	190254	4	Nut, Lock 10-24
7	46235	1	Bracket, Basket	38	159947	4	Screw, Machine 10-24x.75 PHD
8	419455	6	Nut, Lock 5/16-18	39	39831	1	Casting, Grille
9	120393	8	Washer, Flat .344x.688x.065	40	39070	2	Ring, Headlight Retainer
10	180087	2	Bolt, Hex 5/16-18x2.00	41	45207	2	Screw, 1/4-20x.50 Self-Tapping
11	120214	4	Washer, Lock 5/16 Reg.	42	38672	1	Panel, Headlight Reflector
12	180077	4	Bolt, Hex 5/16-18x.75	43	456004	6	Nut, Lock 3/8-16
13	190254	2	Nut, Lock 10-24	44	35518	2	Grommet
14	35641	1	Adjuster, Seat w/Latch	45	39047	1	Hinge, Hood L.H.
15	39063	1	Handle, Seat Slide		39049	1	Hinge, Hood R.H.
16	43192	1	Tip, Lever	46	36849	2	Spacer
17	17837	2	Reflector, Red Safety	47	120388	6	Washer, Flat .438x1.000x.083
18	44077	1	Decal, Gravely Logo	48	34383	4	Bush., St. .391x1.00x.250 Stl.
19	159929	2	Screw, Machine 10-24x.625 PHD	49	180085	2	Bolt, Hex 5/16-18x1.75
20	35670	8	Bush., Fig. .375x1.16x.320 Stl.	50	39836	1	Panel, Side L.H.
21	35642	1	Adjuster, Seat		39835	1	Panel, Side R.H.
22	47528	2	Spring, Seat	51	120394	4	Washer, Flat .406x.812x.065
23	180081	2	Bolt, Hex 5/16-18x1.25	52	180130	2	Bolt, Hex 3/8-16x2.00
24	46031	1	Weldment, Seat Pan Notched	53	180122	8	Bolt, Hex 3/8-16x1.00
25	46028	1	Hood, Silk Screen	54	51278	2	Bracket, Seat
26	46078	2	Decal, Model 24-G	55	413447	4	Nut, Lock 5/16-18
27	35294	2	Latch, Flexible	56	24815	2	Bush., Fig. .406x.880x.270 Brz.
28	32661	6	Rivet, Dome Head	57	18420	1	Pin, Clevis .250x.406
29	43003	1	Decal, Gravely Logo	58	24996	1	Strap, Fender Hold-Up
30	44074	1	Decal, Side Stripe L.H. and R.H.	59	121223	1	Pin, Cotter .06x.75
31	120518	4	Bolt, 1/4-20x.75 Rd Hd Sq Nk				

# REAR HITCH



ITEM NO.	PART NO.	QTY.	DESCRIPTION	ITEM NO.	PART NO.	QTY.	DESCRIPTION
1	46179	1	Guard, Engine	4	46181	2	Arm, Rear Hitch
2	180179	10	Bolt, Hex 1/2-13x1.75	5	435507	10	Nut, Lock 1/2-13
3	19517	1	Plate, Hitch				

## FRONT AND REAR WHEELS

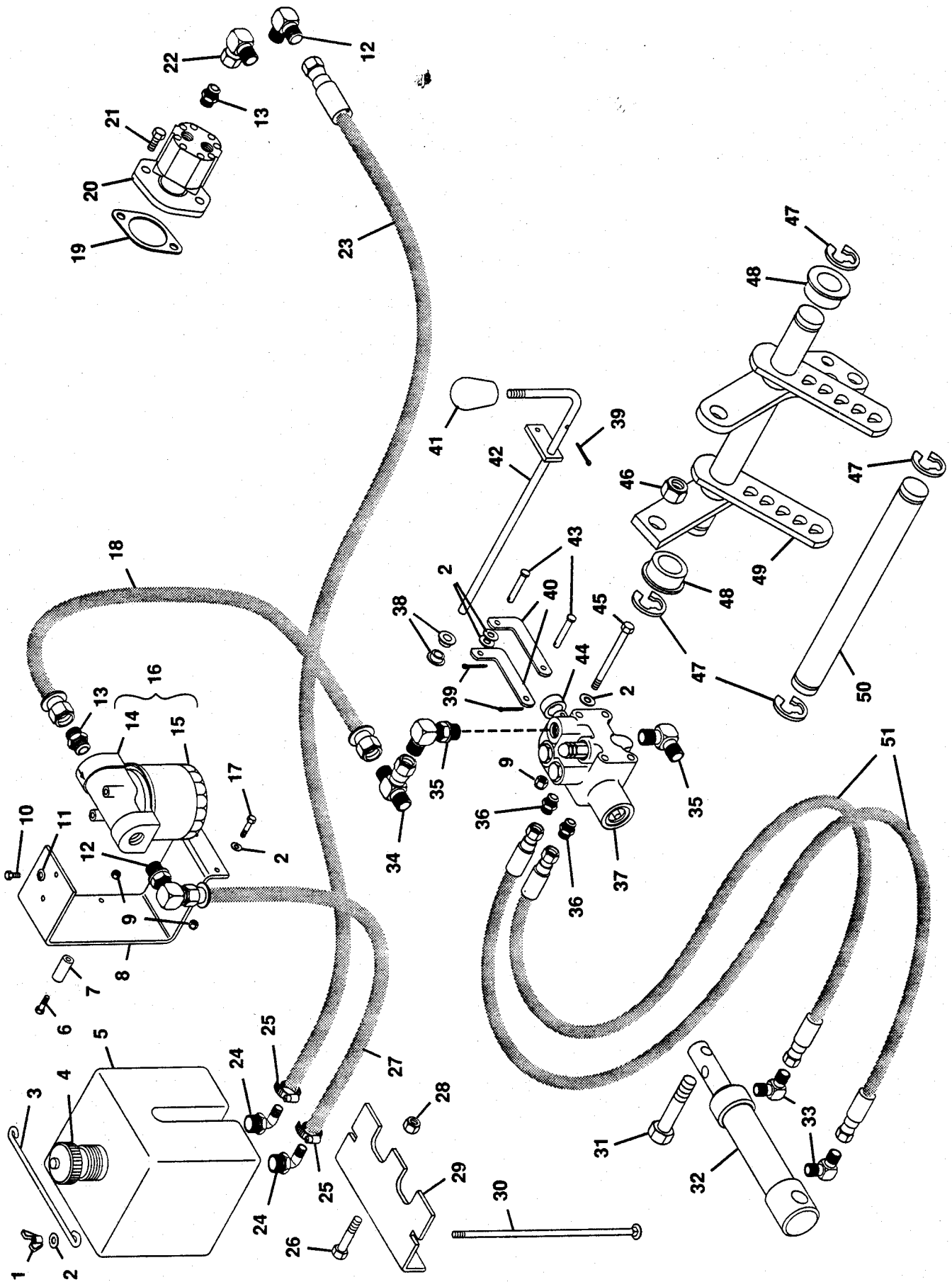


ITEM NO.	PART NO.	QTY.	DESCRIPTION	ITEM NO.	PART NO.	QTY.	DESCRIPTION
1	<del>117988</del> 187/84	2	Key, Woodruff .312x2.125	11	18448	2	Spacer
2	45611	2	Hub, Tapered	12	18447	1	Seal, Oil
3	131000	2	Washer, Flat .813x2.0x.148	13	18446	2	Bearing, Cone LM 11949
4	456007	2	Nut, Lock 3/4-10	14	18445	2	Bearing, Cup LM 11910
5	48541	2	Assembly, Wheel 26x12-12	15	48938	1	Tire, Front 18x8.50-8
6	11191	2	Assembly, Valve Stem	16	48943	1	Weldment, Rim Front
7	48942	1	Weldment, Rim Rear	17	48539	2	Assembly, Wheel 18x8.50-8
8	48937	1	Tire, Rear 26x12-12	18	131016	2	Washer, Flat .656x1.312x.095
9	12744	10	Bolt, Hub 7/16-20x.75 (Special)	19	418692	2	Nut, Lock 5/8-11
10	423315	4	Washer, Flat .813x1.37x.100	20	18449	2	Cap



Non-Adj  
On Pressure

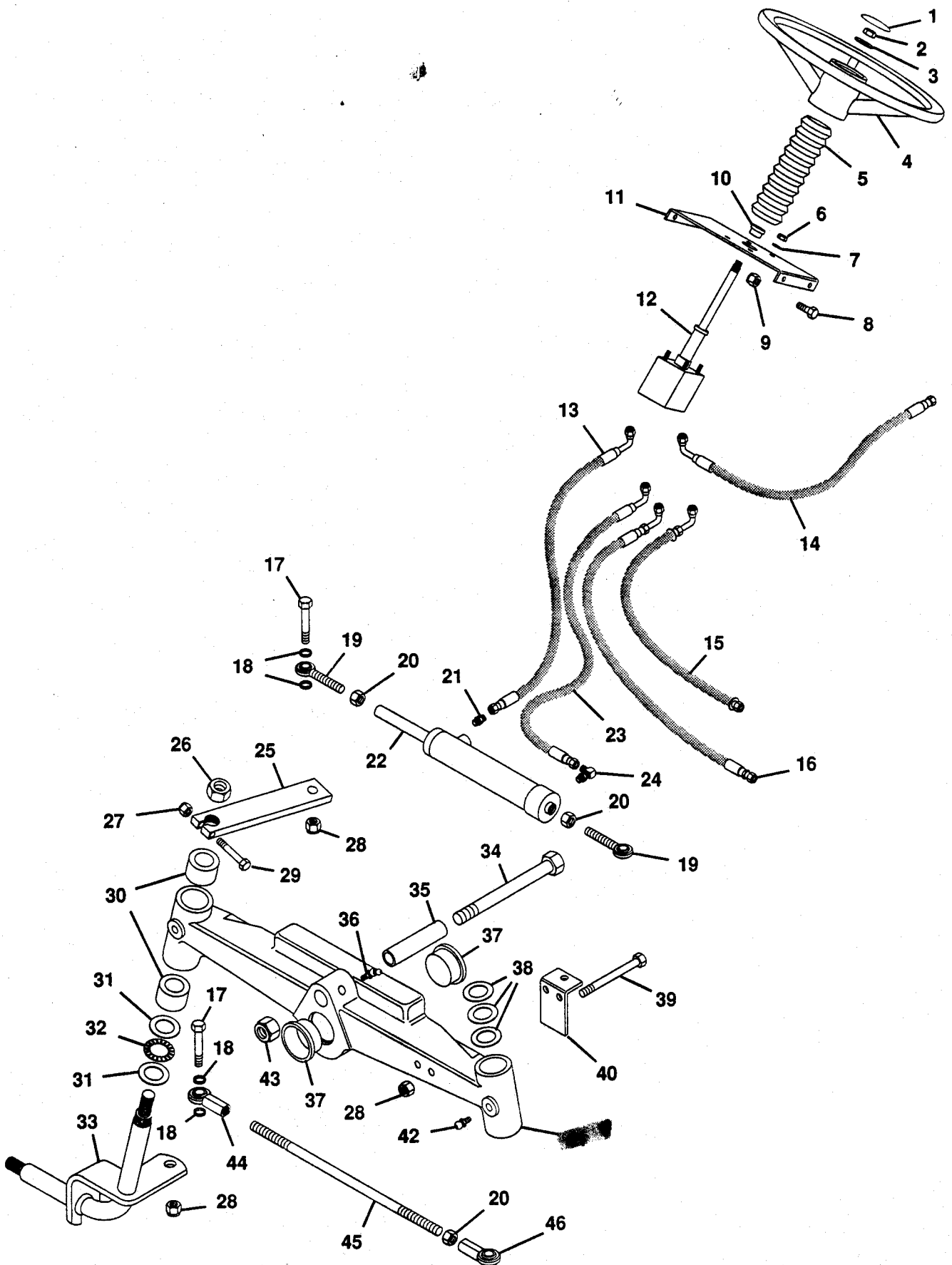
# HYDRAULIC SYSTEM



## HYDRAULIC SYSTEM

ITEM NO.	PART NO.	QTY.	DESCRIPTION	ITEM NO.	PART NO.	QTY.	DESCRIPTION
1	10413	2	Nut, Wing 1/4-20	27	50969	1	Hose, Oil Filter to Tank
2	120392	10	Washer, Flat .281x.625x.065	28	419455	2	Nut, Lock 5/16-18
3	45870	1	Rod, Oil Tank Hold-Down	29	50963	1	Support, Hydraulic Oil Tank
4	44877	1	Cap, Tank	30	126932	2	Bolt, 1/4-20x8.00 Rd Hd Sq Nk
5	45270	1	Tank, Hydraulic	31	180181	1	Bolt, Hex 1/2-13x2.00
6	180042	1	Bolt, Hex 1/4-20x1.75	32	31284	1	Cylinder, Hydraulic
7	50985	1	Bushing, Tank Support	33	18826	2	Adaptor (P-H #2503-4-4)
8	50964	1	Bracket, Oil Filter Mounting	34	46117	1	Adapter, T. Flex (6600-6-6)
9	419454	7	Nut, Lock 1/4-20	35	18828	2	Adaptor (P-H #2503-6-6)
10	180018	2	Bolt, Hex 1/4-20x.625	36	21286	2	Adaptor (P-H #0503-4-4)
11	120380	2	Washer, Lock 1/4 Reg.	37	18825	1	Valve, Hydraulic
12	50961	2	Adaptor, P-H #2503-8-8	38	47193	2	Bush., Fig. .520x.750x.375 Ny.
13	23206	2	Adaptor, 0503-8-6	39	121222	3	Pin, Cotter .094x.75
14	50967	1	Base, Filter	40	41237	2	Rod, Hydraulic Control
15	50968	1	Element	41	32659	1	Knob, PTO
16	50966	1	Filter, Spin-On Lube	42	47191	1	Weldment, Hydraulic Valve Rod
17	180020	2	Bolt, Hex 1/4-20x.75	43	40970	2	Pin, Clevis
18	50970	1	Hose, Hydraulic Valve to Filter	44	48587	1	Bush., St. .700x1.00x.300 Stl.
19	18422	1	Gasket, Cover Plate	45	180050	4	Bolt, Hex 1/4-20x2.75
20	50960	1	Pump, Hydraulic 24-G	46	414074	1	Nut, Lock 1/2-13
21	180120	2	Bolt, Hex 3/8-16x.75	47	11112	4	E-Ring, 1.000 Shaft
22	18818	1	Adaptor (P-H #3903-6-6)	48	18355	2	Bush., Fig. 1.03x1.75x.750 Ny.
23	46118	1	Hose, Tank to Pump	49	45859	1	Weldment, Lift Lever Shaft
24	46116	2	Fitting Male Elbow 1/2x1/2	50	45860	1	Shaft, Hydraulic Cylinder
25	21247	2	Clamp, .88 Dia. Hose	51	18845	2	Hose, Hydraulic 14.5
26	180077	2	Bolt, Hex 5/16-18x.75	NS	47691	AR	Sealant, Plastic Thread

# STEERING

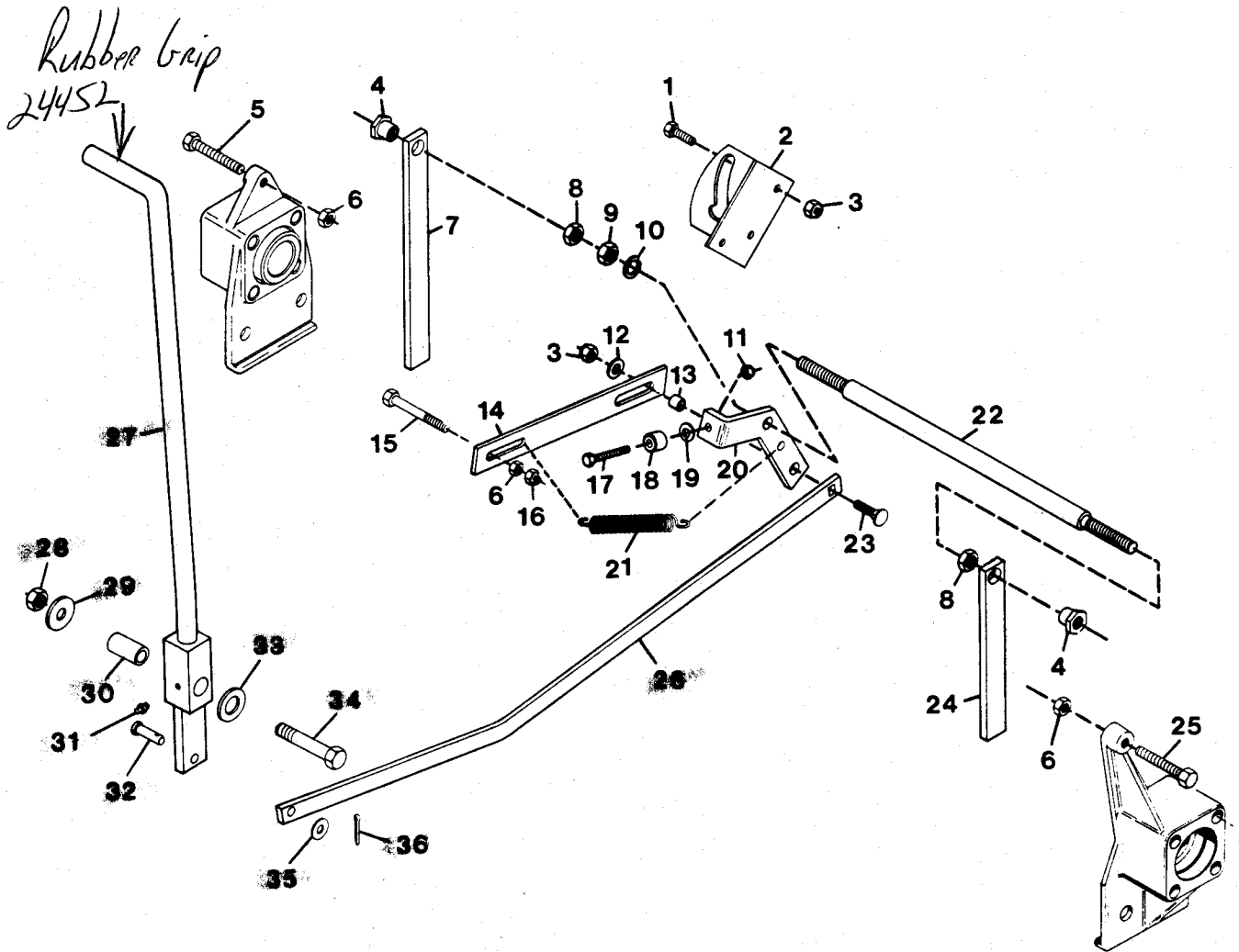


# STEERING

ITEM NO.	PART NO.	QTY.	DESCRIPTION	ITEM NO.	PART NO.	QTY.	DESCRIPTION
1	31426	1	Cap, Steering Wheel	25	45830	1	Arm, Tie Rod
2	124847	1	Nut, Jam 5/8-11 Hex	26	124589	2	Nut, Hex 5/8-11
3	131016	1	Washer, Flat .656x1.312x.095	27	190139	1	Nut, Lock 5/16-24
4	31281	1	Wheel, Steering	28	435507	6	Nut, Lock 1/2-13
5	47311	1	Bellows, Steering Wheel	29	181618	1	Bolt, Hex 5/16-24x1.75
6	120368	4	Nut, Hex 5/16-24	30	43359	4	Bush., St. .885x1.00x1.00 Brz.
7	120214	4	Washer, Lock 5/16 Reg.	31	21541	4	Race, Bearing Thrust
8	180077	4	Bolt, Hex 5/16-18x.75	32	21543	2	Bearing, Needle Thrust
9	419455	4	Nut, Lock 5/16-18	33	45571	1	Weldment, King Pin (R.H.)
10	10174	1	Bush., Fig. .764x1.47x.560 Ny.		45574	1	Weldment, King Pin (L.H.)
11	45829	1	Bracket, Power Steering Support	34	271781	1	Bolt, Hex 3/4-10x4.5
12	46109	1	Power Steering Unit	35	23237	1	Tube, Axle Pivot
13	46111	1	Hose, PSU to SC Right	36	411031	1	Fitting, Lube 45 Deg.
14	50959	1	Hose, PSU to Pump	37	18785	2	Cap, Front Axle
15	50965	1	Hose, PSU to Oil Filter	38	131017	3	Washer, Flat .812x1.496x.134
16	47302	1	Hose, PSU to Lift Valve	39	180192	2	Bolt, Hex 1/2-13x3.50
17	180181	4	Bolt, Hex 1/2-13x2.00	40	45834	1	Bracket, Steering Cylinder
18	46192	8	Bush., St. .520x.625x.125 Stl.		<del>45400</del>	1	Axle, Steering - <del>45833</del>
19	44950	2	Assembly, Rod End (R.H.)	42	411027	2	Fitting, Lube 1/4-28
20	124934	3	Nut, Jam 1/2-20	43	456007	1	Nut, Lock 3/4-10
21	19167	1	Adapter, P.H. #0503-6-6	44	44942	1	Rod End, Steering L.H.
22	44583	1	Cylinder, Steering	45	45862	1	Tie Rod
23	46110	1	Hose, PSU to SC Left	46	44941	1	Rod End, Steering R.H.
24	18828	1	Adapter (P.H. #2503-6-6)	NS	48269	1	Kit, Seals Ross Steering Unit

589006 Seal Kit Ross  
Same as 30H PR

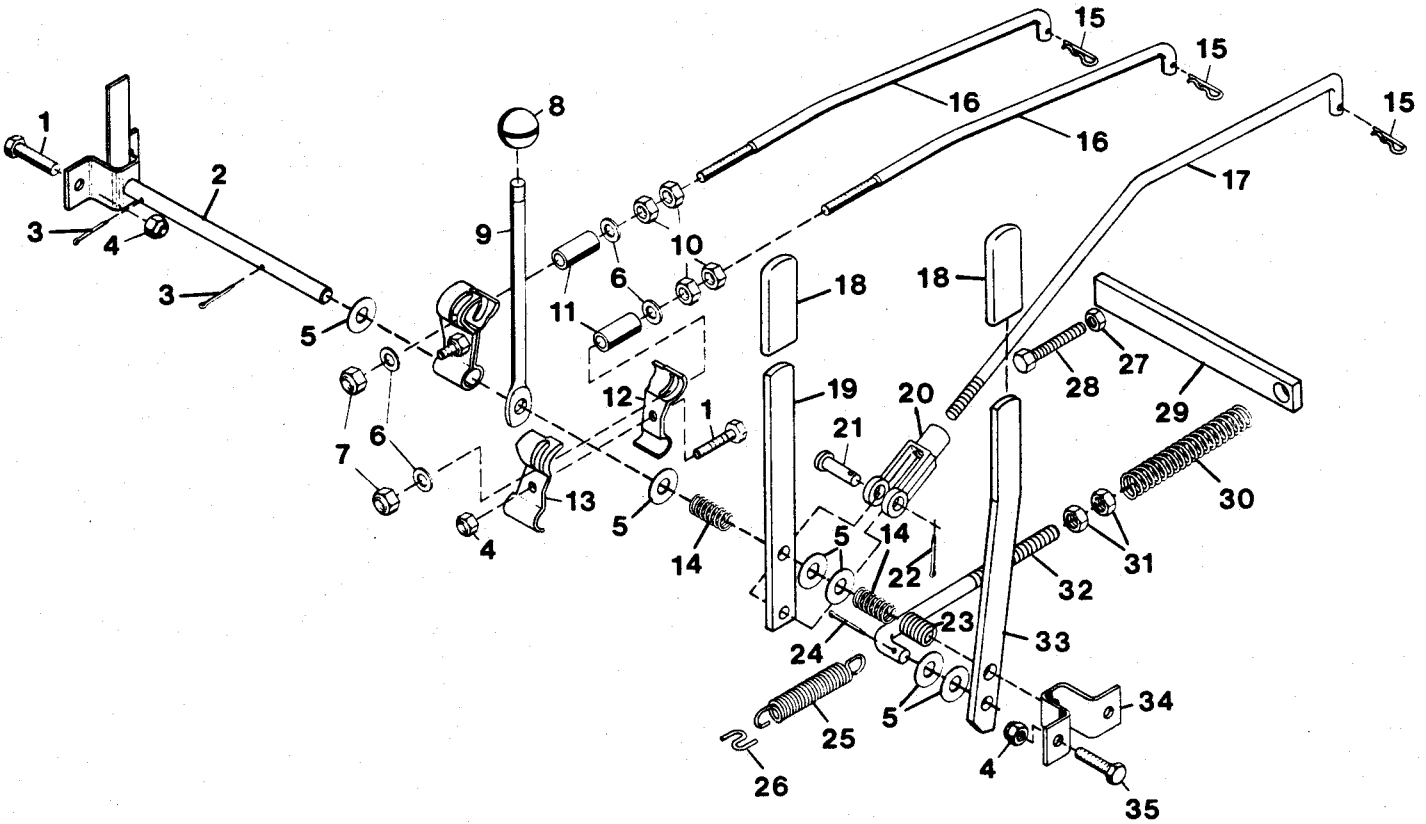
# DIRECTION CONTROL



## DIRECTION CONTROL

ITEM NO.	PART NO.	QTY.	DESCRIPTION	ITEM NO.	PART NO.	QTY.	DESCRIPTION
1	180079	2	Bolt, Hex 5/16-18x1.00	19	120392	1	Washer, Flat .281x.625x.065
2	46309	1	Weldment, Fwd-Rev Actuating	20	39841	1	Arm, Fwd-Rev Clutch Roll
3	419455	3	Nut, Lock 5/16-18	21	39844	1	Spring, Neutral Detent
4	40305	2	Bush., Flg. .500x.875x.700 Stl.	22	39840	1	Rod, Fwd-Rev Slide
5	47176	1	Bolt, Hex 3/8-16x2.00 Special	23	120230	1	Bolt, 5/16-18x1.25 Rd Hd Sq Nk
6	120377	3	Nut, Hex 3/8-16	24	43789	1	Spring, Reverse Clutch
7	34715	1	Spring, Fwd-Rev Clutch	25	44609	1	Bolt, Hex 3/8-16x2.50
8	120238	2	Nut, Jam 1/2-13 Hex	26	50914	1	Link, Fwd-Rev Shifter
9	120378	1	Nut, Hex 1/2-13	27	50944	1	Weldment, Fwd-Rev Lever
10	131101	1	Washer, Lock 1/2 SP Heavy	28	435507	1	Nut, Lock 1/2-13
11	454750	1	Nut, Lock 1/4-28	29	120390	1	Washer, Flat .563x1.375x.109
12	446354	1	Washer, Flat .313x.875x.065	30	11074	1	Bush., St. .515x.748x1.44 Stl.
13	40360	1	Bush., Stl. .328x.500x.500 Stl.	31	411027	1	Fitting, Lube 1/4-28
14	39843	1	Strap, Neutral Detent	32	138078	1	Pin, Clevis .375x.948
15	180138	1	Bolt, Hex 3/8-16x3.00	33	131017	1	Washer, Flat .812x1.496x.134
16	456004	1	Nut, Lock 3/8-16	34	180188	1	Bolt, Hex 1/2-13x2.75
17	40811	1	Bolt, Hex 1/4-28x1.38 Gr. 8	35	120394	1	Washer, Flat .406x.812x.065
18	39842	1	Roller, Clutch Cam	36	121222	1	Pin, Cotter .09x.75

# TRANSMISSION CONTROLS

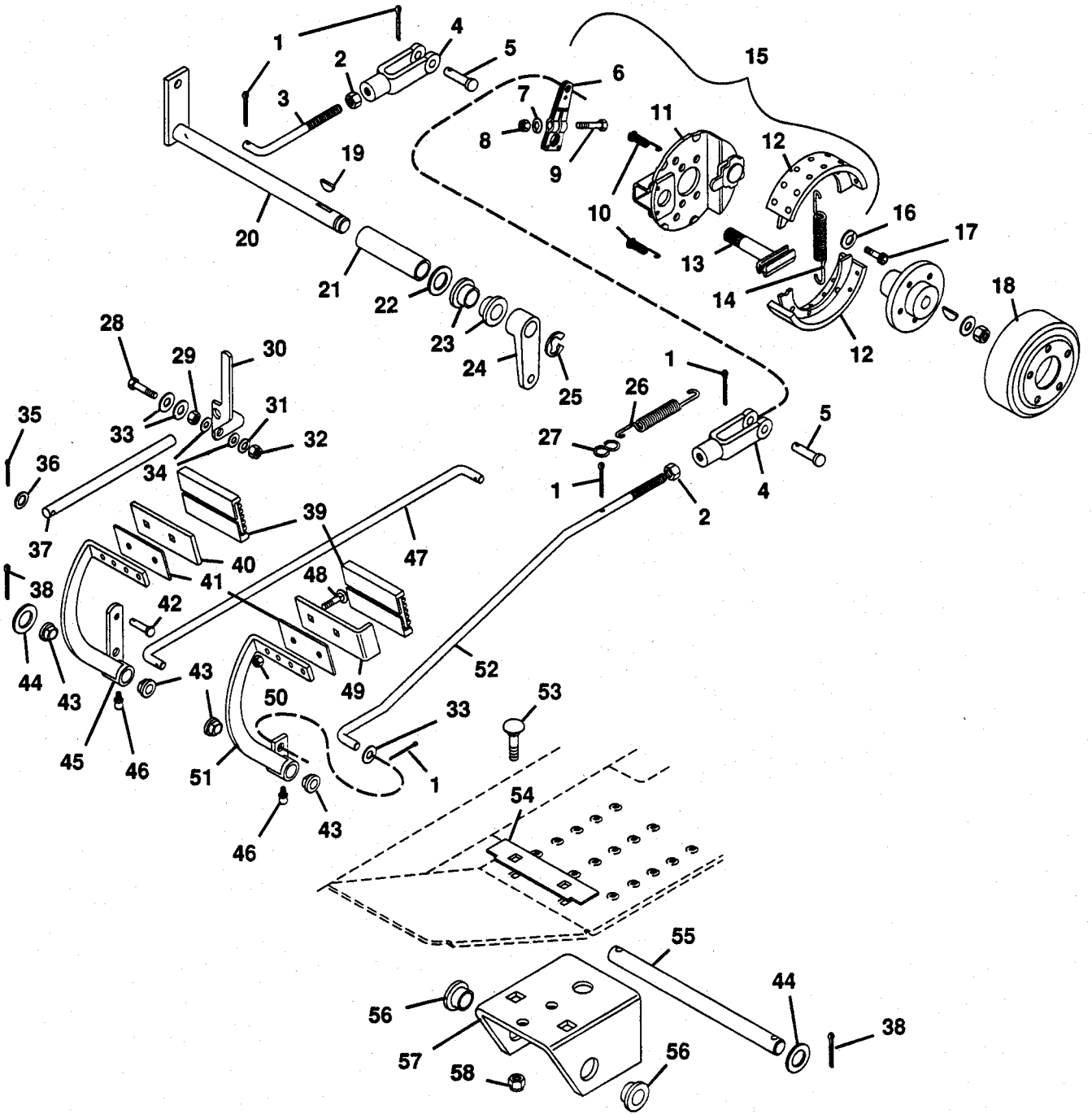


## TRANSMISSION CONTROLS

ITEM NO.	PART NO.	QTY.	DESCRIPTION	ITEM NO.	PART NO.	QTY.	DESCRIPTION
1	180077	5	Bolt, Hex 5/16-18x.75	19	33990	1	Lever, Hi-Lo Shift
2	45857	1	Weldment, Cross Shaft	20	18380	1	Clevis, 3/8-24 Adjustable
3	137185	2	Pin, Cotter .12x1.0	21	138078	1	Pin, Clevis .375x.948
4	419455	6	Nut, Lock 5/16-18	22	121222	1	Pin, Cotter .09x.75
5	120396	6	Washer, Flat .531x1.06x.095	23	11779	1	Spring, Comp. 1x.78x338
6	120388	4	Washer, Flat .438x1.00x.083	24	120123	1	Pin, Cotter .125x1.25
7	456004	2	Nut, Lock 3/8-16	25	11263	1	Spring, Extension 5.5x.5x20 Rate
8	10670	1	Knob, Control	26	11329	2	Clip, Spring
9	18371	1	Lever, Shift	27	120377	1	Nut, Hex 3/8-16
10	124829	4	Nut, Jam 3/8-16	28	44609	1	Bolt, Hex 3/8-16x2.50
11	33986	2	Bush., St. .396x.490x1.63 Stl.	29	46174	1	Spring, PTO Clutch
12	33988	2	Arm, Shifter R.H.	30	46175	1	Spring, Comp. (PTO Loading)
13	33989	2	Arm, Shifter L.H.	31	120238	4	Nut, Jam 1/2-13 Hex
14	18372	1	Spring, Comp. 2.75x.625x34	32	40815	1	Rod, Lift
15	11860	3	Pin, Cotter Hair	33	47398	1	Lever, PTO Control
16	33994	2	Rod, Shift	34	11096	1	Bracket, Cross Shaft
17	40143	1	Rod, 2-Speed	35	180079	1	Bolt, Hex 5/16-18x1.00
18	34067	2	Grip, Handle				



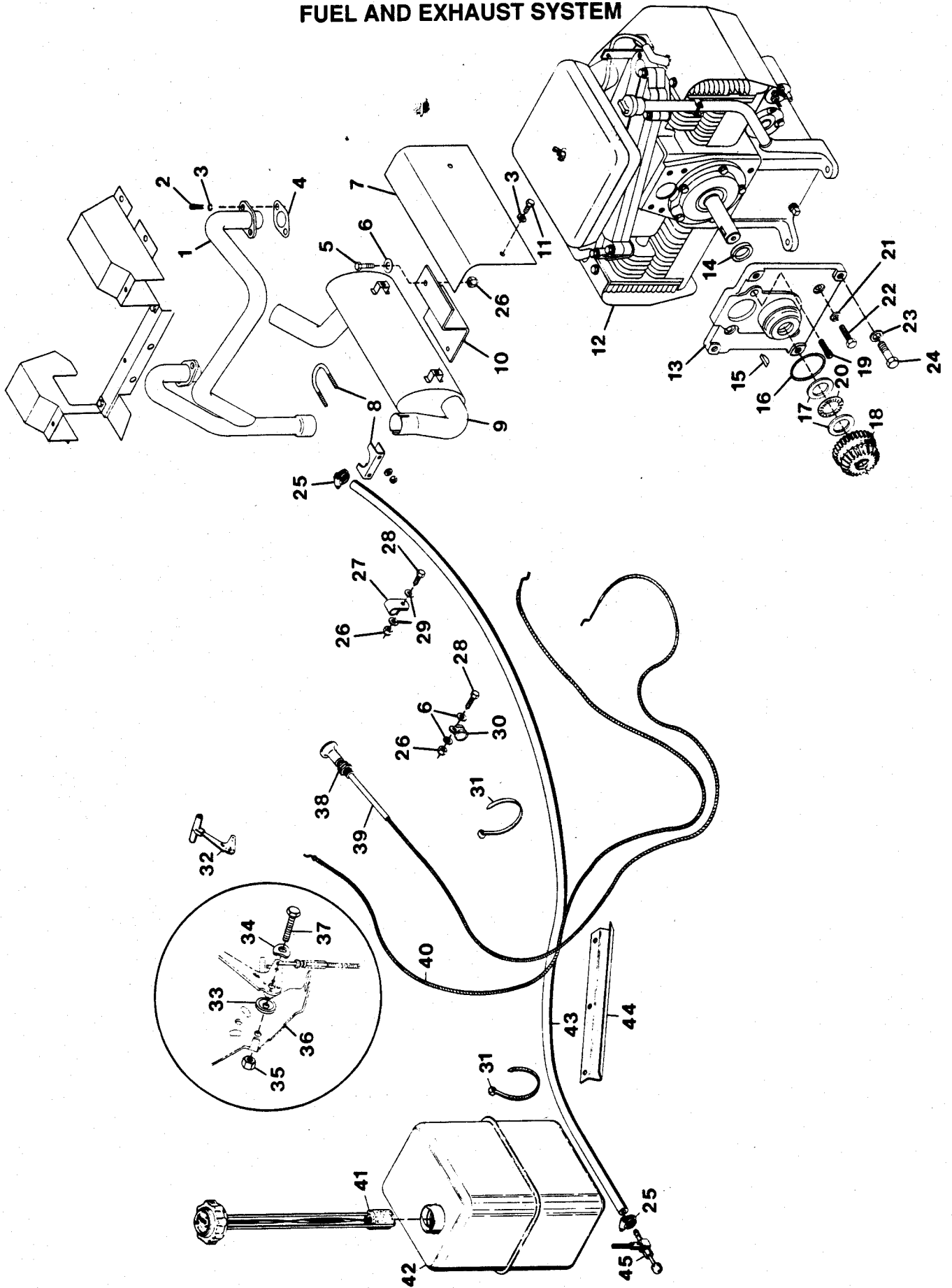
# BRAKE LINKAGE



## BRAKE LINKAGE

ITEM NO.	PART NO.	QTY.	DESCRIPTION	ITEM NO.	PART NO.	QTY.	DESCRIPTION
1	177923	6	Pin, Cotter .125x.75	30	20772	1	Arm, Parking Brake Lock
2	124925	2	Nut, Jam 3/8-24	31	120382	1	Washer, Lock 3/8
3	45866	1	Rod, Brake Control R.H.	32	413534	1	Nut, Lock 3/8-16
4	18380	2	Clevis, 3/8-24 Adjustable	33	120394	3	Washer, Flat .406x.812x.065
5	138078	2	Pin, Clevis .375x.948	34	20775	2	Washer, Nylon .375x.75x.06
6	23505	1	Arm, Cam Lever	35	121223	1	Pin, Cotter .06x.75
7	120214	1	Washer, Lock 5/16	36	120392	2	Washer, Flat .281x.625x.065
8	120368	1	Nut, Hex 5/16-24	37	46064	1	Rod
9	181618	1	Bolt, Hex 5/16-24x1.75	38	120123	2	Pin, Cotter .125x1.25
10	23509	2	Spring, Shoe Retaining	39	41944	2	Pad, Pedal
11	46231	1	Plate, Back	40	45565	1	Pedal, Brake
12	23539	2	Shoe, Brake	41	41921	2	Plate, Brake
13	23506	1	Cam, Brake	42	45918	1	Pin, Clevis .25x1.03
14	23508	1	Spring, Shoe Return	43	26428	4	Bearing
15	45705	2	Brake, 7x1.75 Mechanical	44	421879	2	Washer, Flat .656x1.250x.100
16	120384	8	Washer, Lock 1/2 Reg.	45	45215	1	Weldment, Brake Pedal
17	138300	8	Bolt, 1/2-13x3.50 Hex Head Cap	46	411027	2	Fitting, Lube 1/4-28
18	44488	2	Drum, Brake	47	45865	1	Rod, Brake Control L.H.
19	124549	1	Key, Woodruff .187x.75 Hrd #9	48	126325	4	Bolt, Carriage 1/4-20x1.25
20	45863	1	Weldment, Brake Cross Shaft	49	41923	1	Pedal, Brake
21	47177	1	Bush., St. .780x1.00x1.75 Stl.	50	419454	6	Nut, Lock 1/4-20
22	423315	4	Washer, Flat .813x1.37x.100	51	45260	1	Weldment, Brake Pedal L.H.
23	10174	2	Bush., Fig. .764x1.47x.560 Ny.	52	45264	1	Rod, Brake Control L.H.
24	18019	1	Lever, PTO	53	126227	2	Bolt, Carriage 3/8-16x.75
25	11270	1	E-Ring, .750 Shaft	54	45266	1	Strap, Brake Pedal Stop
26	11263	2	Spring, Ext. 5.5x.5x20 Rate	55	45263	1	Shaft, Brake Pedal Mntg
27	11329	3	Clip, Spring	56	45787	2	Bush., Fig. .630x1.00x.625 Ny.
28	180124	1	Bolt, Hex 3/8-16x1.25	57	45222	1	Bracket, Brake Pedal
29	124829	1	Nut, Jam 3/8-16 Hex	58	456004	2	Nut, Lock 3/8-16

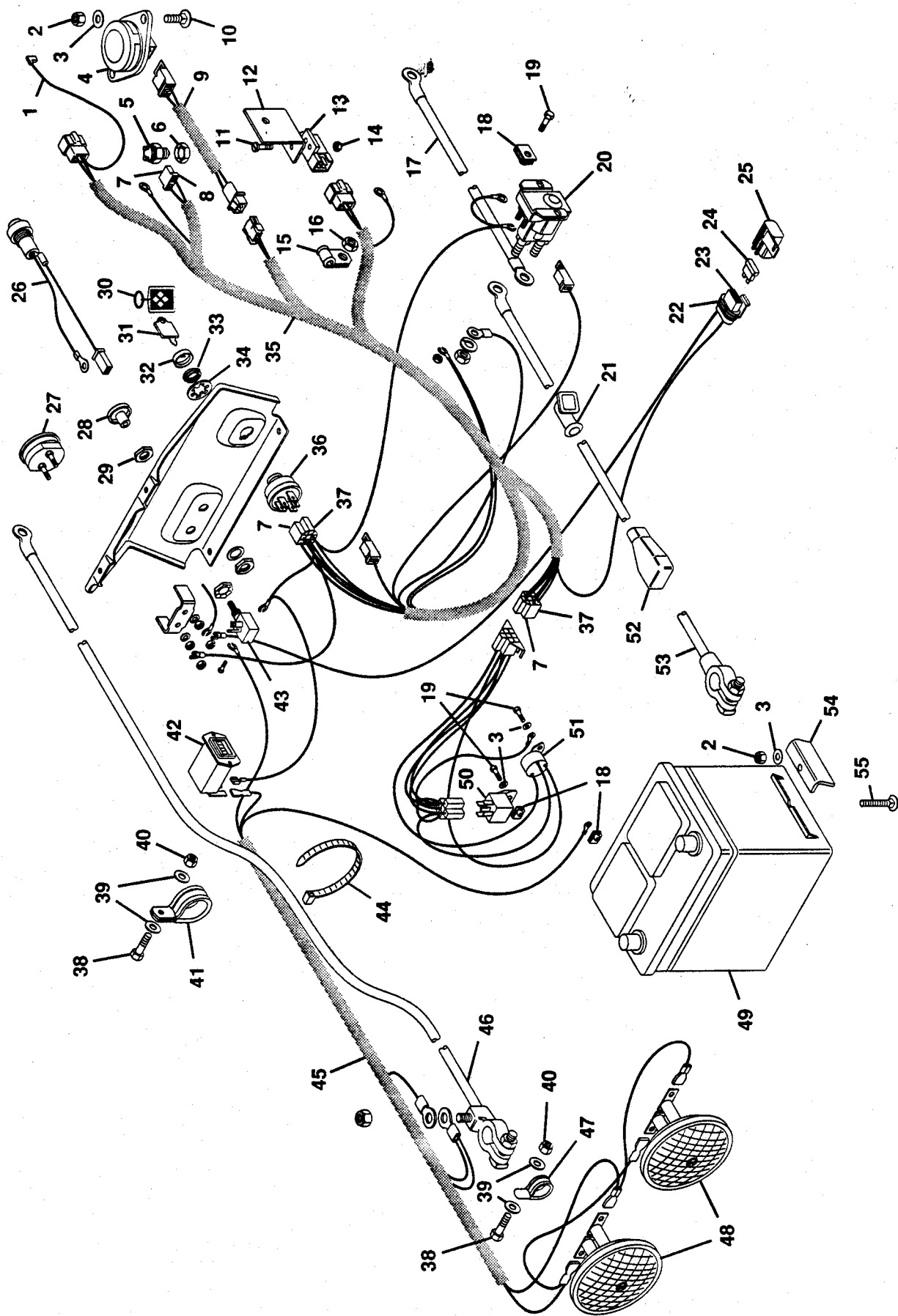
# FUEL AND EXHAUST SYSTEM



## FUEL AND EXHAUST SYSTEM

ITEM NO.	PART NO.	QTY.	DESCRIPTION	ITEM NO.	PART NO.	QTY.	DESCRIPTION
1	46171	1	Header, Exhaust	25	32045	2	Clamp, Hose
2	421705	4	Screw, Cap 5/16-18x.75 SHD	26	419455	5	Nut, Lock 5/16-18
3	120214	6	Washer, Lock 5/16 Reg.	27	50427	2	Clamp, Nylon 1.23
4	49078	2	Gasket, Exhaust	28	180079	4	Bolt, Hex 5/16-18x1.00
5	180081	3	Bolt, Hex 5/16-18x1.25	29	446354	4	Washer, Flat .313x.875x.065
6	120393	4	Washer, Flat .343x.688x.065	30	50394	1	Clamp, Steel .625
7	46217	1	Shield, Muffler	31	10629	6	Tie, Cable
8	21819	1	Clamp, Muffler U-Bolt	32	11773	1	Assembly, Knob and Lever
9	46073	1	Muffler, Exhaust	33	11772	1	Washer, Friction
10	46182	1	Bracket, Muffler Support	34	11774	1	Washer, Spring
11	180077	3	Bolt, Hex 5/16-18x.75	35	416430	1	Nut, Lock 1/4-28
12	46030	1	Engine, 24 H.P. Onan	36	11770	1	Bracket, Mounting
13	46234	1	Adaptor, Engine	37	181566	1	Bolt, Hex 1/4-28x.75
14	18517	1	Seal, Oil 1.125x1.628x.250	38	124925	1	Nut, Jam 3/8-24 Hex
15	103909	1	Key, Woodruff .25x1.125 Sft.	39	39859	1	Control, Choke
16	18346	1	O-Ring, 3.000x3.188x.094	40	46377	1	Assembly, Choke Conduit
17	40758	2	Race, Brg Thrust 1.125x1.75x.123	41	21415	1	Gauge, Gas
18	45586	1	Gear, Spur and Bevel, Input	42	40620	1	Tank, Fuel
19	454475	1	Screw, Cap 3/8-16x1.75 HSHD	43	21134	9 ft.	Line, Fuel
20	18341	1	Bearing, Thrust 1.127x1.740x.078	44	32030	1	Shield, Heat
21	120382	3	Washer, Lock 3/8 Reg.	45	18563	1	Valve, Fuel 90 Deg. Rev. Flow
22	180128	3	Bolt, Hex 3/8-16x1.75	NS	160046	2	Screw, Machine 10-32x.50 PHD
23	120384	4	Washer, Lock 1/2 Reg.	NS	411893	2	Nut, Lock 10-32
24	180179	4	Bolt, Hex 1/2-13x1.75				

# ELECTRICAL SYSTEM



## ELECTRICAL SYSTEM

ITEM NO.	PART NO.	QTY.	DESCRIPTION	ITEM NO.	PART NO.	QTY.	DESCRIPTION
1	47350	1	Wire	29	18587	1	Nut, Special Light Switch
2	419454	4	Nut, Lock 1/4-20	30	45842	1	Chain, Key
3	120392	6	Washer, Flat .281x.625x.065	31	45488	2	Key, Ignition Switch
4	45036	1	Switch, Seat	32	45490	1	Boot, 9/16 Switch
5	20916	1	Switch, Interlock	33	45489	1	Nut, Jam 9/16-24
6	107354	1	Nut, Stamped 9/16-18	34	19667	1	Washer, Lock 9/16 Int. Tooth
7	38059	14	Terminal	35	46075	1	Harness, Wiring
8	42176	1	Connector, 2-Wire Switch	36	19223	1	Switch, Ignition
9	45601	1	Harness, Wiring Seat Switch	37	38058	2	Connector
10	120518	2	Bolt, 1/4-20x.75 Rd Hd Sq Nk	38	180079	2	Bolt, Hex 5/16-18x1.00
11	159947	2	Screw, Machine 10-24x.75 PHD	39	120393	4	Washer, Flat .344x.688x.065
12	47397	1	Bracket, PTO Switch	40	419455	2	Nut, Lock 5/16-18
13	46219	1	Switch, Interlock	41	50395	1	Clamp, Steel 1.00
14	190254	2	Nut, Lock 10-24	42	38256	1	Hourmeter
15	27122	1	Clamp	43	11337	1	Switch, Light
16	456004	1	Nut, Lock 3/8-16	44	10629	4	Tie, Cable
17	46177	1	Cable, Starter	45	46232	1	Harness, Wiring Ground and Light
18	11676	4	Nut, Speed 1/4-20	46	39871	1	Cable, Negative Battery
19	180020	4	Bolt, Hex 1/4-20x.75	47	50394	2	Clamp, Steel .625
20	45071	1	Switch, Magnetic	48	39069	2	Headlight
21	33847	3	Boot, Battery Cable	49	42597	1	Battery, 12 Volt
22	45920	1	Connector	50	40216	1	Relay
23	45922	2	Terminal, 14-16 Gauge	51	40215	1	Module, Time Delay
24	45037	1	Fuse, 25 Amp	52	34466	1	Cover, Battery Terminal
25	45921	1	Cover	53	39861	1	Cable, Battery to Magnetic Switch
26	41926	1	Light, Indicator	54	37742	2	Clamp
27	21848	1	Gauge, Ammeter	55	126344	2	Bolt, 1/4-20x2.00 Rd Hd Sq Nk
28	38186	1	Knob, Light Switch				

NOTE: See the Operator's Manual for Wiring Diagram.