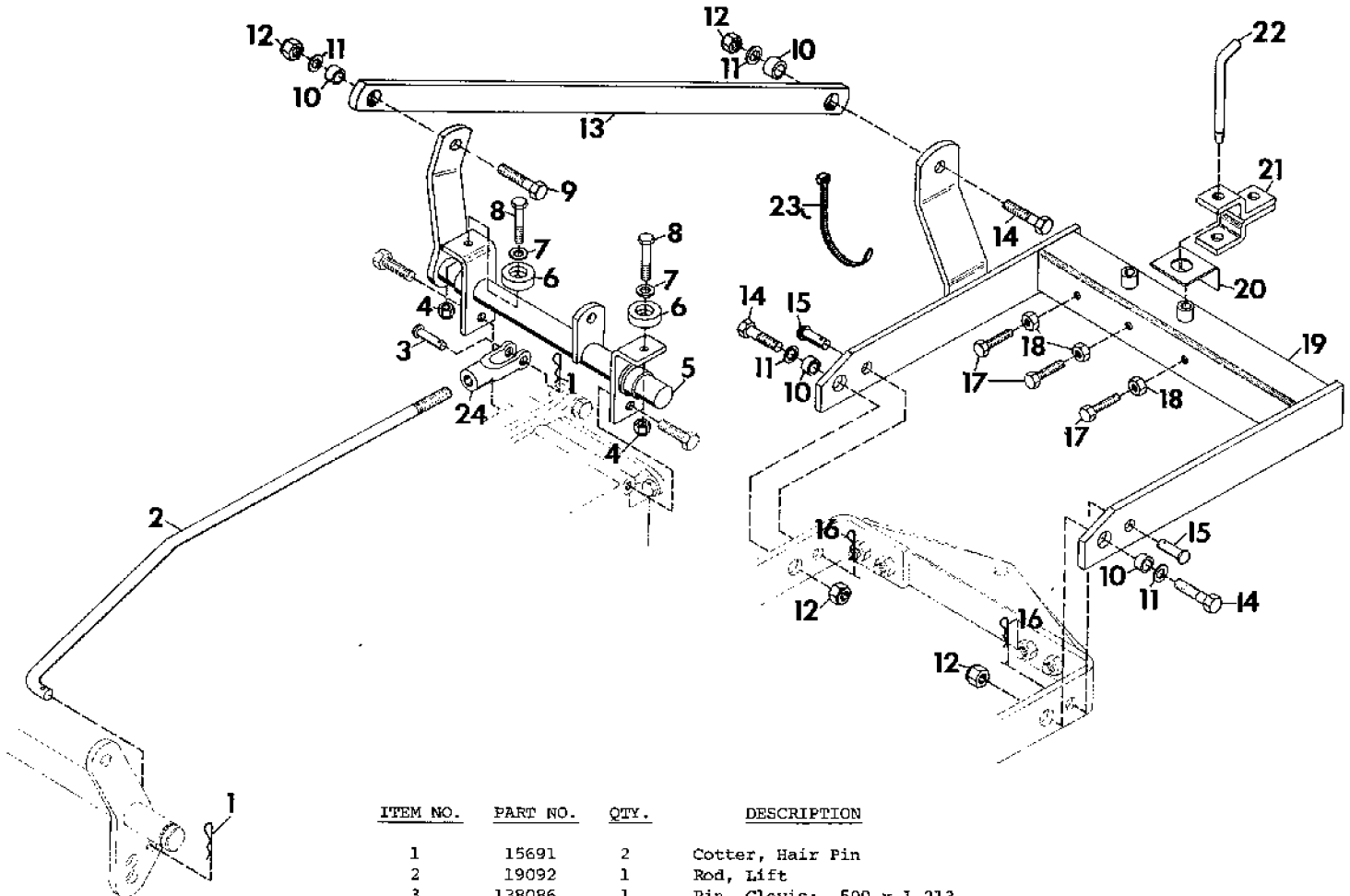


GRAVELLY ILLUSTRATED PARTS LIST

NAME: LIFTABLE REAR HITCH

PART NUMBER(S): 24487



| ITEM NO. | PART NO. | QTY. | DESCRIPTION |
|----------|----------|------|-----------------------------------|
| 1 | 15691 | 2 | Cotter, Hair Pin |
| 2 | 19092 | 1 | Rod, Lift |
| 3 | 138086 | 1 | Pin, Clevis; .500 x 1.213 |
| 4 | 419454 | 2 | Nut, Lock; 1/4-20 Washer Insert |
| 5 | 24375 | 1 | Weldment, Cross Shaft |
| 6 | 24357 | 2 | Bumper, Seat |
| 7 | 120386 | 2 | Washer, Flat; 5/16 x 47/64 x .065 |
| 8 | 180024 | 2 | Bolt, Hex; 1/4-20 x 1-1/4 |
| 9 | 180181 | 1 | Bolt, Hex; 1/2-13 x 2 |
| 10 | 19260 | 4 | Bushing, Pivot Casting |
| 11 | 120396 | 4 | Washer, Flat; .500 x 1.062 x .095 |
| 12 | 435507 | 4 | Nut, Lock; 1/2-13 Washer Insert |
| 13 | 24453 | 1 | Strap, Rear Hitch |
| 14 | 180179 | 3 | Bolt, Hex; 1/2-13 x 1-3/4 |
| 15 | 20499 | 2 | Pin, Clevis; 5/8 x 1.125 |
| 16 | 10405 | 2 | Cotter, Hair Pin |
| 17 | 14718 | 3 | Bolt, Special; 3/8-16 x 3 Hex HD |
| 18 | 451519 | 3 | Nut, Jam; 3/8-16 Hex Heavy |
| 19 | 24376 | 1 | Weldment, Rear Hitch |
| 20 | 14949 | 1 | Pad |
| 21 | 18866 | 1 | Weldment, Rear Hitch |
| 22 | 18864 | 1 | Pin, Hitch |
| 23 | 10629 | 2 | Tie, Cable |
| 24 | 19091 | 1 | Yoke, Adjustable |

To continue its program of quality and design improvement, the manufacturer reserves the right to change specifications, designs and prices without notice and incurring obligation.

Form No. 25170 (3-86)

Printed in U.S.A.