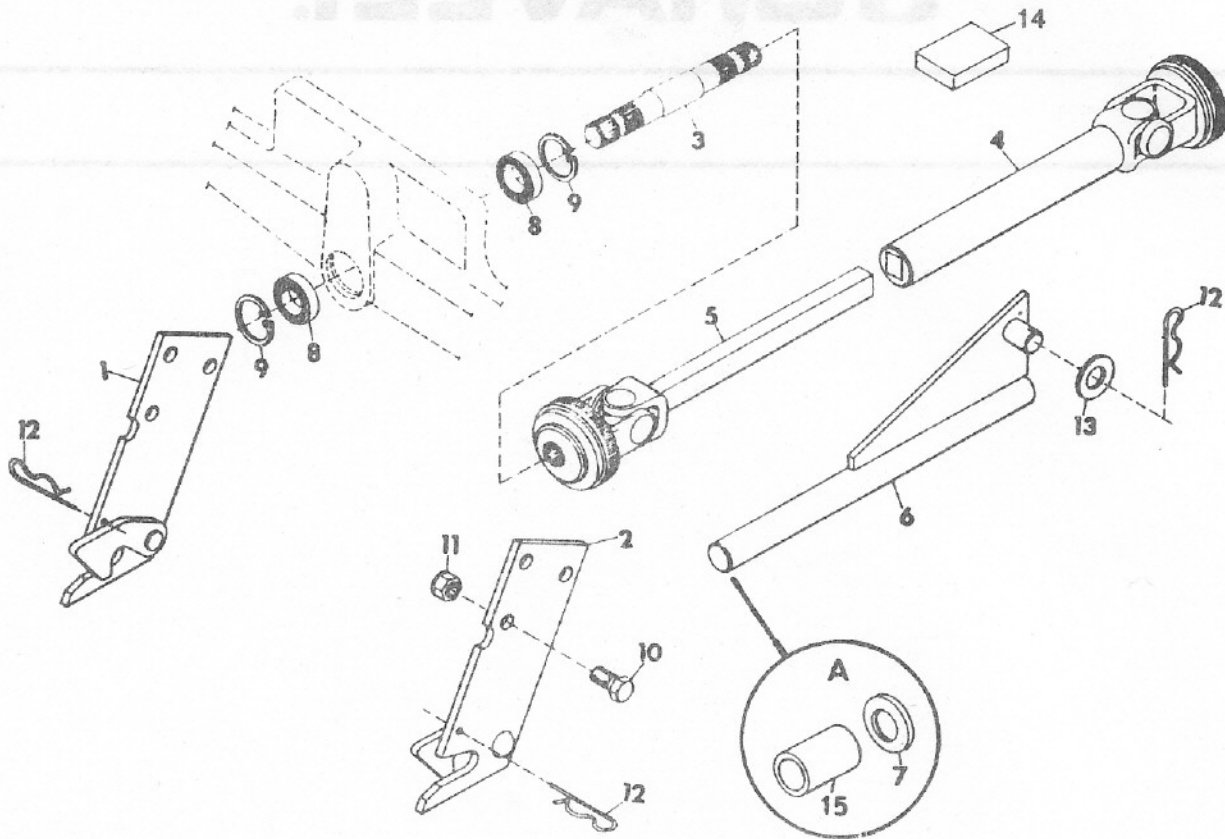


FRONT DRIVE KIT

QTY	DESCRIPTION	PART NO.	ITEM NO.
1	Spacer	10001	10
1	Kit, Repair Universal Joint (replaces)	10000	11
1	Washer, Flat 1/2" x 1/2" x 1/8"	11017	12
1	Pin, Hair	10002	13
4	Nut, Hex 1/2"	10038	14
2	Bolt, Hex 1/2" x 1 1/2"	10017	15
2	Ring, Retaining 1 1/2" x 1 1/2"	10011	16
2	Washer, Flat 1 1/2" x 1 1/2" x 1/8"	10012	17
1	Shaft, Front Axle Mount Weld 1 1/2"	11000	18
1	Bracket, Front Axle Mount Weld 1 1/2"	11001	19
1	Joint, U-Joint Rod	10003	20
1	Shaft, Rod Weldment	11002	21

NOTE: Check "A" pertains to 8000 Series Commercial tractor that has the front frame.



ITEM NO.	PART NO.	QTY.	DESCRIPTION
1	11697	1	Bracket, Front Attachment Weld, R.H.
2	11698	1	Bracket, Front Attachment Weld, L.H.
3	18654	1	Shaft, Frt PTO
4	18653	1	Shaft, Frt PTO Prop.
5	15802	1	Joint, U, Male End
6	11396	1	Guide, Push Rod Weldment
7	131019	1	Washer, Flat 1.062x2.000x.134
8	19072	2	Bearing, Ball .984x2.047x.590
9	19073	2	Ring, Retaining 2.062x.590
10	180173	6	Bolt, Hex 1/2-13x1
11	120378	4	Nut, Hex 1/2-13
12	10405	3	Pin, Hair
13	131017	1	Washer, Flat .812x1.496x.134
14	24560	1	Kit, Repair Universal Joint (Neapco)
15	31301	1	Spacer

NOTE: Circle "A" pertains to 8000 Series Commercial tractor that has the long frame.