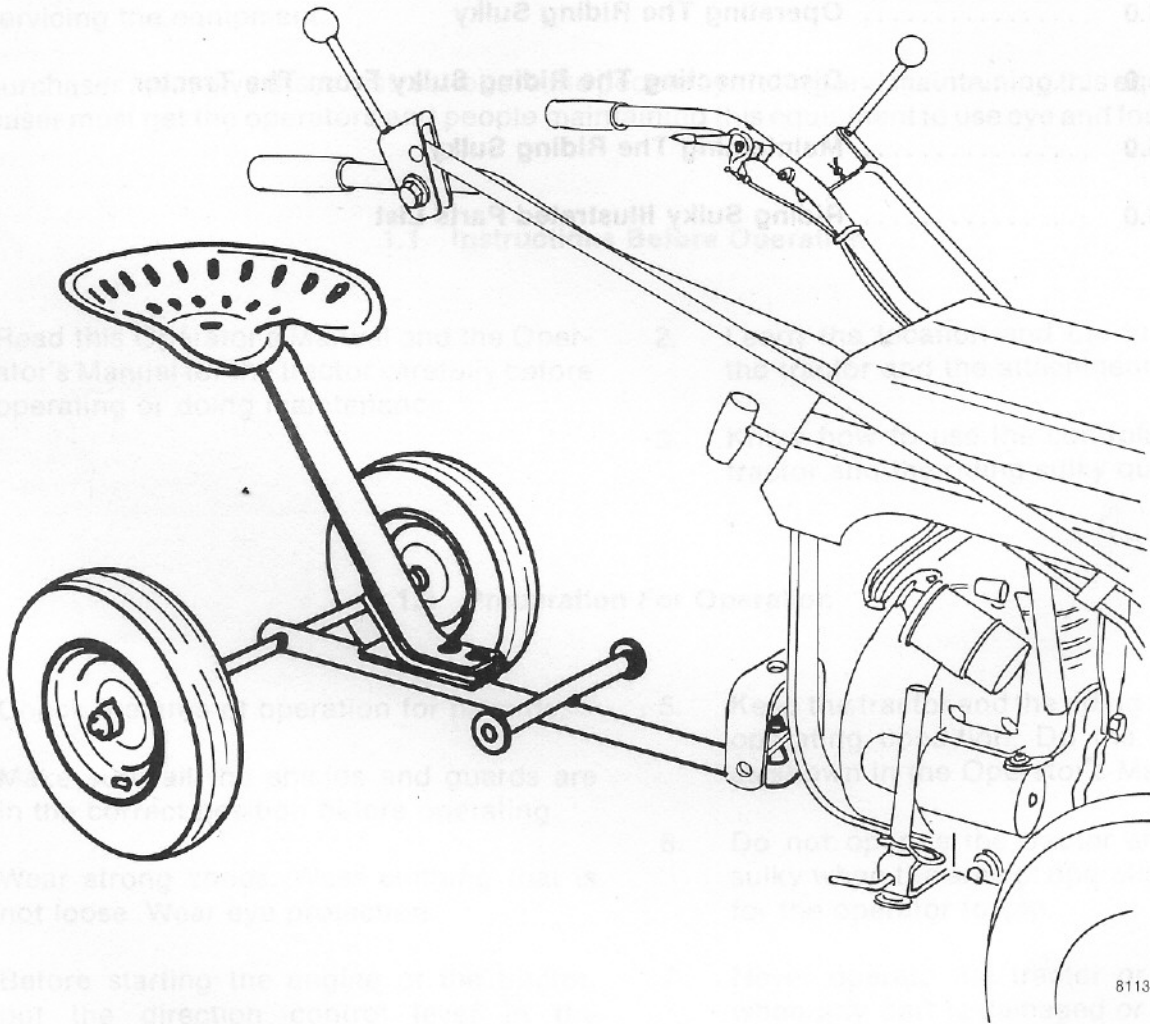


# **GRAVELY**® **OPERATOR'S MANUAL**

**NAME: RIDING SULKY**

**PART NUMBER(S): 15589**



81134

The Riding Sulky is for use with Gravely 500 and 5000 Series Tractors only.

All references to left side, right side, front and rear are given from the operator's position.

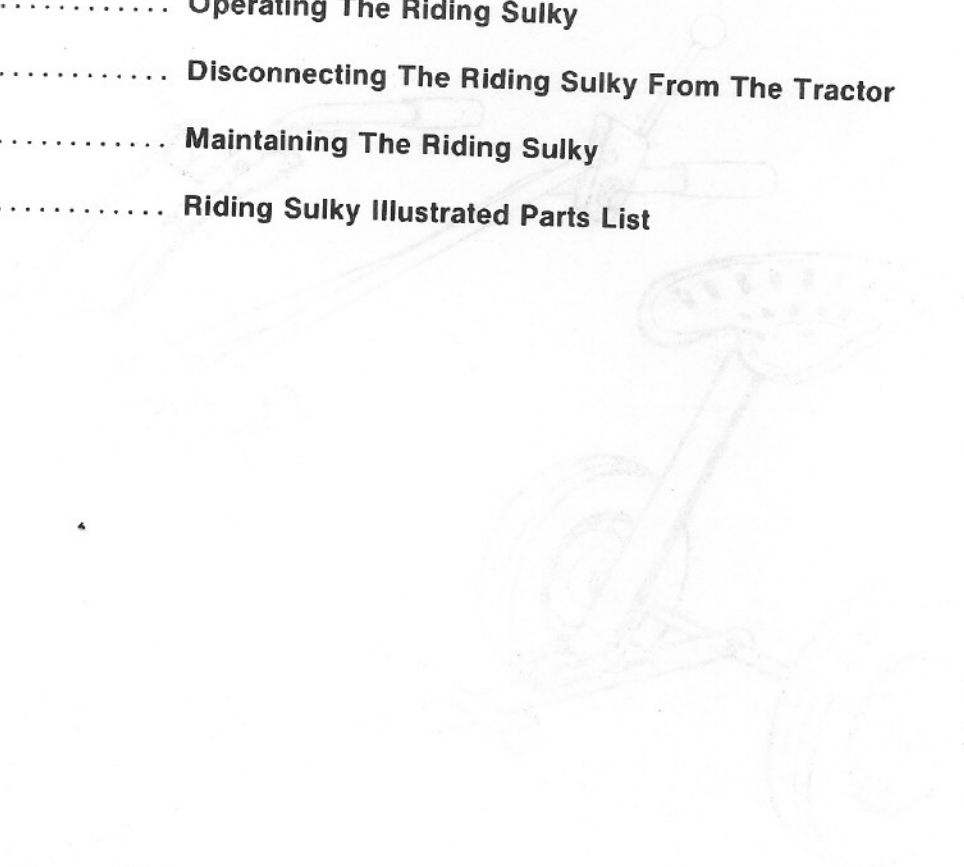
**To continue its program of quality and design improvement, the manufacturer reserves the right to change specifications, designs and prices without notice and incurring obligation.**

**Form No. 34202 (9-81)**

**Printed in U.S.A.**

# CONTENTS


1.0	.....	<b>Instructions For Safety</b>
1.1	.....	Instructions Before Operation
1.2	.....	Preparation For Operation
1.3	.....	Operation
2.0	.....	<b>Connecting The Riding Sulky To The Tractor</b>
3.0	.....	<b>Operating The Riding Sulky</b>
4.0	.....	<b>Disconnecting The Riding Sulky From The Tractor</b>
5.0	.....	<b>Maintaining The Riding Sulky</b>
6.0	.....	<b>Riding Sulky Illustrated Parts List</b>





# 1.0 INSTRUCTIONS FOR SAFETY



**NOTE:** This warning symbol  indicates that there is danger to people. Read these warnings carefully and follow them.

Using this equipment the wrong way can cause injury to people and damage to the equipment. People operating or maintaining this equipment must read the Operator's Manual and follow the instructions.

It is important to understand that this Operator's Manual and other Gravely instruction books do not list every possible danger. It is not possible for Gravely to know and describe all the dangers in operating and servicing the equipment.

The purchaser must give these instructions to the people operating and maintaining this equipment. The purchaser must get the operators and people maintaining this equipment to use eye and foot protection.

## 1.1 Instructions Before Operation

1. Read this Operator's Manual and the Operator's Manual for the tractor carefully before operating or doing maintenance.
2. Learn the location and the function of all the tractor and the attachment controls.
3. Know how to use the controls to stop the tractor and the riding sulky quickly.

## 1.2 Preparation For Operation

1. Check the area of operation for hazards.
2. Make sure all the shields and guards are in the correct position before operating.
3. Wear strong shoes. Wear clothing that is not loose. Wear eye protection.
4. Before starting the engine of the tractor, put the direction control lever in the "NEUTRAL" position and the power take off (PTO) control in the "OFF" position.
5. Keep the tractor and the riding sulky in good operating condition. Do the maintenance as shown in the Operator's Manual.
6. Do not operate the tractor and the riding sulky when the area of operation is too dark for the operator to see.
7. Never operate the tractor or riding sulky when any part is damaged or out of place. Replace all parts that are damaged or missing.

### 1.3 Operation

1. Keep away from moving parts.
2. Keep all persons and animals away from the area of operation.
3. Only the operator is to ride on the sulky.
4. Never operate the riding sulky on slopes or rough ground. Disconnect the riding sulky from the tractor.
5. Avoid holes and other hazards.
6. Use caution when moving backwards. Look for people and hazards in the way.
7. After hitting an object, stop the tractor and the engine. Inspect for damage. If there is damage, make repairs before starting the engine.
8. Before leaving the tractor, put the PTO control in the "OFF" position and turn the key in the ignition switch to the "OFF" position. Remove the ignition key.
9. If there is a sudden change in the sound or vibration of the tractor or the riding sulky, stop the tractor. Stop the engine on the tractor. Check for damage. If there is damage, make repairs before operating.
10. Always follow traffic laws while going on or near a road.
11. Go slow on surfaces where the tractor can slide.
12. Put the PTO control lever in the "OFF" position before leaving the operator's position to make adjustments or to do maintenance. Turn the ignition switch to the "OFF" position. Wait until the engine and moving parts have stopped.



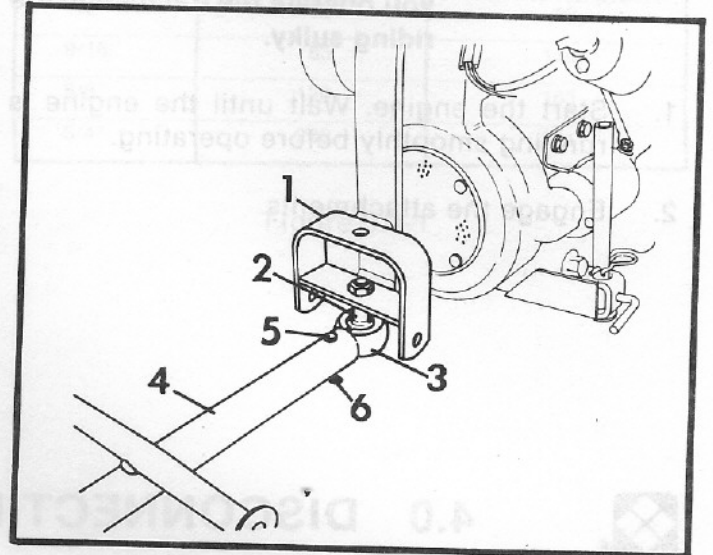
## 2.0 CONNECTING THE RIDING SULKY TO THE TRACTOR



**WARNING:** Stop the engine before connecting the riding sulky to the tractor.

The riding sulky is connected to the tractor with the trailing hitch kit

1. Put the split socket around the ball stud mounted on the rear hitch of the tractor. Put the split socket into the shaft of the riding sulky. See figure 2.0-1.
2. Align the split socket and put the drawbar pin in the hole in the shaft of the riding sulky. Fasten the drawbar pin with the hair pin cotter. See figure 2.0-1.



- 81135
- 1 - Hitch
  - 2 - Ball Stud
  - 3 - Split Socket
  - 4 - Shaft
  - 5 - Drawbar Pin
  - 6 - Hair Pin Cotter

Figure 2.0-1



### 3.0 OPERATING THE RIDING SULKY



**WARNING:** Do not operate the riding sulky on slopes or rough ground.

Read this Operator's Manual and the Operator's Manual for the tractor before operating the equipment.

**WARNING:** Use a slow speed the first time you operate the tractor and the riding sulky.

1. Start the engine. Wait until the engine is running smoothly before operating.
2. Engage the attachments.

3. Move the throttle to the "FAST" position.
4. Put the direction control lever in the "FORWARD" position.
5. Push the handlebars to the left to steer to the right.
6. Push the handlebars to the right to steer to the left.

**NOTE:** The four holes in the chassis permit three seat positions.

**WARNING:** Make all sharp turns at a slow speed.

**WARNING:** Disconnect the riding sulky before operating on slopes or rough ground.



### 4.0 DISCONNECTING THE RIDING SULKY FROM THE TRACTOR



1. Remove the hair pin cotter from the drawbar pin and the drawbar pin from the shaft of the riding sulky. See figure 2.0-1.
2. Slide the split socket out of the shaft and remove it from the ball stud on the rear hitch of the tractor. See figure 2.0-1.



# 5.0 MAINTAINING THE RIDING SULKY



**WARNING:** Stop the engine on the tractor before doing maintenance on the riding sulky.

1. Clean all debris and dirt from the riding sulky.
2. Inspect for loose or missing fasteners, excess wear, and missing or broken parts. Tighten, repair, or replace as needed. Tighten bolts to the torque given in figure 5.0-1 unless otherwise instructed.
3. Put multipurpose grease in the grease fittings on the wheels.
4. To prevent rust, apply paint or lubricant to any area where the paint has been removed.

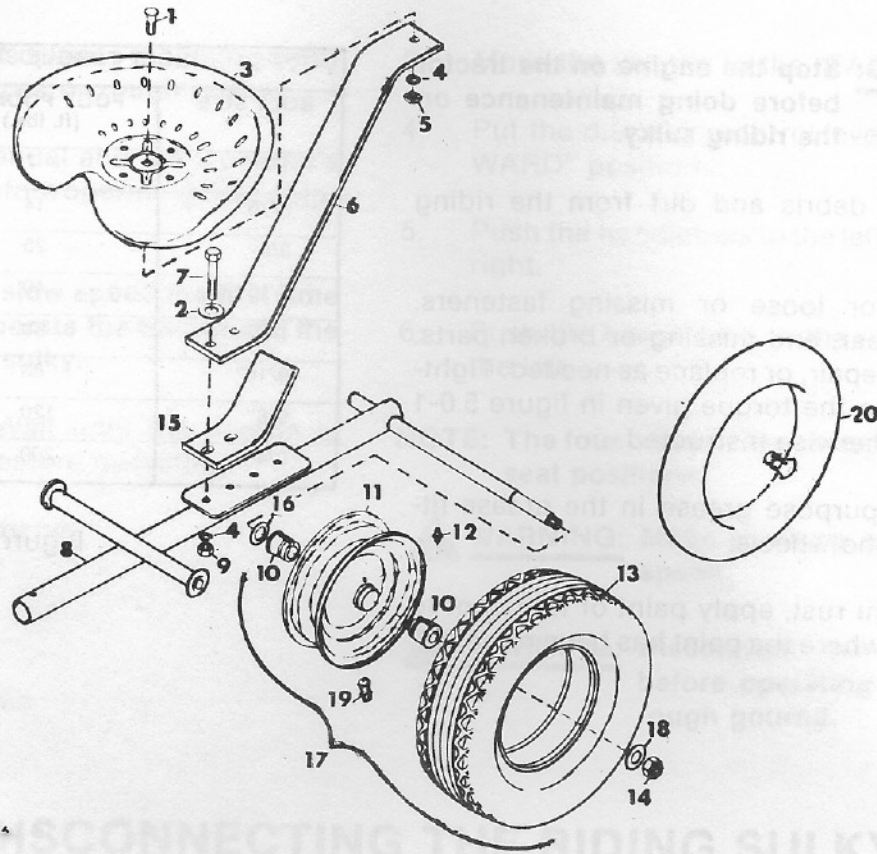
BOLT TORQUE SPECIFICATIONS		
BOLT SIZE	FOOT POUNDS (ft. lbs.)	NEWTON METERS (N.m)
1/4"	7	9.5
5/16"	14	19
3/8"	25	34
7/16"	40	54
1/2"	60	82
9/16"	83	113
5/8"	120	163
3/4"	200	271

Figure 5.0-1

Description	Qty	Part No.	Part No.
Bolt 1/2-13 x 1-1/2 RD HD 50 HR	7	120617	7
Washer Flat 5/8 x 1.312 x 109	2	120261	2
Spacer	1	120271	1
Washer Lock 1/2 Spring	2	120284	4
Nut Square 1/2-13	1	120288	2
Spacer Shim	1	14087	2
Bolt Hex 1/2-13 x 3-1/2	2	120182	2
Chain Ring Sulky	1	120269	2
Nut Lock 1/2-13	2	120272	2
Bushing Wheel	4	12040	10
Rim	2	12042	11
Spring Lock 1/2-22	2	411027	12
Trim	2	12222	13
Nut Lock 5/8-18	2	12412	14
Plate Reinforcement	1	12522	15
Washer Flat 5/8 x 1.312 x 124	2	121077	16
Wheel Assembly Complete	2	10140	17
Included Item Nos. 10, 11, 12, 13, & 14			
Washer Flat 5/8 x 1.312 x 100	2	10106	18
Yield Shim	2	11187	19
Tube	2	12072	20



## 6.0 ILLUSTRATED PARTS LIST



Item No.	Part No.	Qty.	Description
1	120917	1	Bolt, 1/2-13 x 1-1/2 RD HD SQ NK
2	120390	2	Washer, Flat; .562 x 1.375 x .109
3	12521	1	Seat
4	120384	3	Washer, Lock; 1/2 Spring
5	125536	1	Nut, Square; 1/2-13
6	34201	1	Spring, Seat
7	180192	2	Bolt, Hex; 1/2-13 x 3-1/2
8	10359	1	Chassis, Riding Sulky
9	120238	2	Nut, Jam; 1/2-13
10	12345	4	Bushing, Wheel
11	10450	2	Rim
12	411027	2	Fitting, Lube; 1/4-28
13	12356	2	Tire
14	13412	2	Nut, Lock; 5/8-18
15	17839	1	Plate, Reinforcement
16	131017	2	Washer, Flat; .812 x 1.468 x .134
17	10140	2	Wheel Assembly, Complete (Included Item Nos. 10, 11, 12, 13, & 19)
18	131016	2	Washer, Flat; .656 x 1.312 x .095
19	11191	2	Valve Stem
20	13573	2	Tube



## LIMITED FIVE-YEAR WARRANTY

1. This Limited Five-Year Warranty is issued by Gravely International, Inc., only to the original purchaser. If Gravely equipment is leased by Gravely, this Warranty shall extend also to the original lessee as if such lessee were the original purchaser.
2. Gravely warrants that all new equipment manufactured by Gravely ("Gravely Products") shall be free of defects in material and workmanship for the term described in paragraph 4, below. Except as hereinafter provided, this Warranty does not cover any engine, tires or battery forming a part of the Gravely Product. Engine and tires are covered by and subject to separate warranties of the manufacturers thereof.
3. In the event that any Gravely Product warranted hereunder shall be defective or fail to conform with this Warranty, Gravely shall, subject to the provisions hereof, pay for, or provide labor and materials for, the repair or replacement of such defective Gravely Product.
4. This Warranty is for five years (60 months) from purchase date for Gravely Products used exclusively for personal, family or household purposes, and two years (24 months) for products used for other purposes (commercial use), excluding rental firms. Gravely products used for rental purposes will be warranted for 90 days. Repair of Gravely Products after the second year (24 months from date of purchase) shall be subject to a \$50.00 deductible for each repair. (After two years, Gravely agrees to repair or replace defective Gravely Products used exclusively for personal, family or household purposes only to the extent that the cost of such warranty covered repair or replacement exceeds \$50.00.)

Batteries are warranted by Gravely for a period of twelve (12) months only. If a battery shall fail within twelve (12) months of purchase, the replacement cost thereof shall be prorated over a twelve-month term based upon the number of months since purchase.
5. To obtain Warranty Service on a Gravely Product (including any battery or other component not manufactured by Gravely), use this procedure:
  - a. Notify the Gravely dealer from whom you purchased the equipment.
  - b. If you have moved and it is not convenient to notify the selling dealer, notify the nearest Gravely dealer. You should supply this dealer with a copy of the bill of sale as proof of the date of purchase.
  - c. Make arrangements to have the equipment delivered to the dealer (refer to paragraph 6 a., below).
  - d. If you have any questions concerning the Gravely Limited Warranty, they should be referred to:

Gravely International, Inc.  
One Gravely Lane  
Clemmons, NC 27012  
Attn: Customer Service Department
  - e. Warranty service on Gravely Products must be performed by an authorized Gravely dealer.
6. This Warranty does not cover the following:
  - a. Transportation to the Gravely dealership. (If the Gravely dealer provides transportation, he will charge for such service.)
  - b. Normal maintenance services and normal replacement of items such as spark plugs, belts, oil, oil filters, air filters, and mower, plow or cultivator blades, gauge wheels, skids and other wear items.
  - c. Any Gravely Product which has been altered or modified in any way.
  - d. Any repair or replacement occasioned by customer neglect or lack of proper maintenance. (The purchaser is responsible for making sure that Gravely Products are operated and serviced as directed in the applicable manual or service instruction. Incorrect use or maintenance will void this Warranty.)
  - e. Any repair occasioned by the use of any attachment not approved by Gravely. (The use of any such unapproved attachment will void this Warranty.)
7. GRAVELY MAKES NO OTHER EXPRESS OR IMPLIED WARRANTIES, OR WARRANTIES AS TO THE MERCHANTABILITY OR FITNESS FOR A PARTICULAR PURPOSE. ALL WARRANTIES ARE LIMITED IN DURATION TO THE TERMS SET OUT IN PARAGRAPH 4, ABOVE. GRAVELY SHALL HAVE NO LIABILITY FOR INCIDENTAL OR CONSEQUENTIAL DAMAGES RESULTING FROM THE BREACH OF ANY WARRANTY, INCLUDING, BUT NOT LIMITED TO, LIABILITY FOR INCONVENIENCE, RENTAL OR PURCHASE OF REPLACEMENT EQUIPMENT, OR FOR LOSS OF PROFITS OR OTHER COMMERCIAL LOSS.
8. Some states do not allow limitations on how long an implied warranty lasts, so the above statement may not apply to you. Some states do not allow the exclusion or limitation of incidental or consequential damages, so the above limitation or exclusion may not apply to you.
9. This Warranty gives you specific legal rights, and you may have other rights which vary from state to state.
10. A Gravely product registration card is supplied with each Gravely Product. Please complete the card and return it to Gravely at the address listed on the card. The equipment registration card will be used by Gravely for:
  - a. Recording date of purchase.
  - b. Notification of owners in compliance with the Consumer Product Safety Act, should any notification be necessary.The return of such card is necessary for your warranty to be effective.
11. This Warranty is not subject to change or modification by anyone, including Gravely dealers and no Gravely dealer is authorized to make any representations or promises on Gravely's behalf.

 **GRAVELY**

One Gravely Lane, Clemmons, NC 27012