



To continue its program of quality and design improvement, the manufacturer reserves the right to change specifications, design or prices without notice and without incurring obligation.

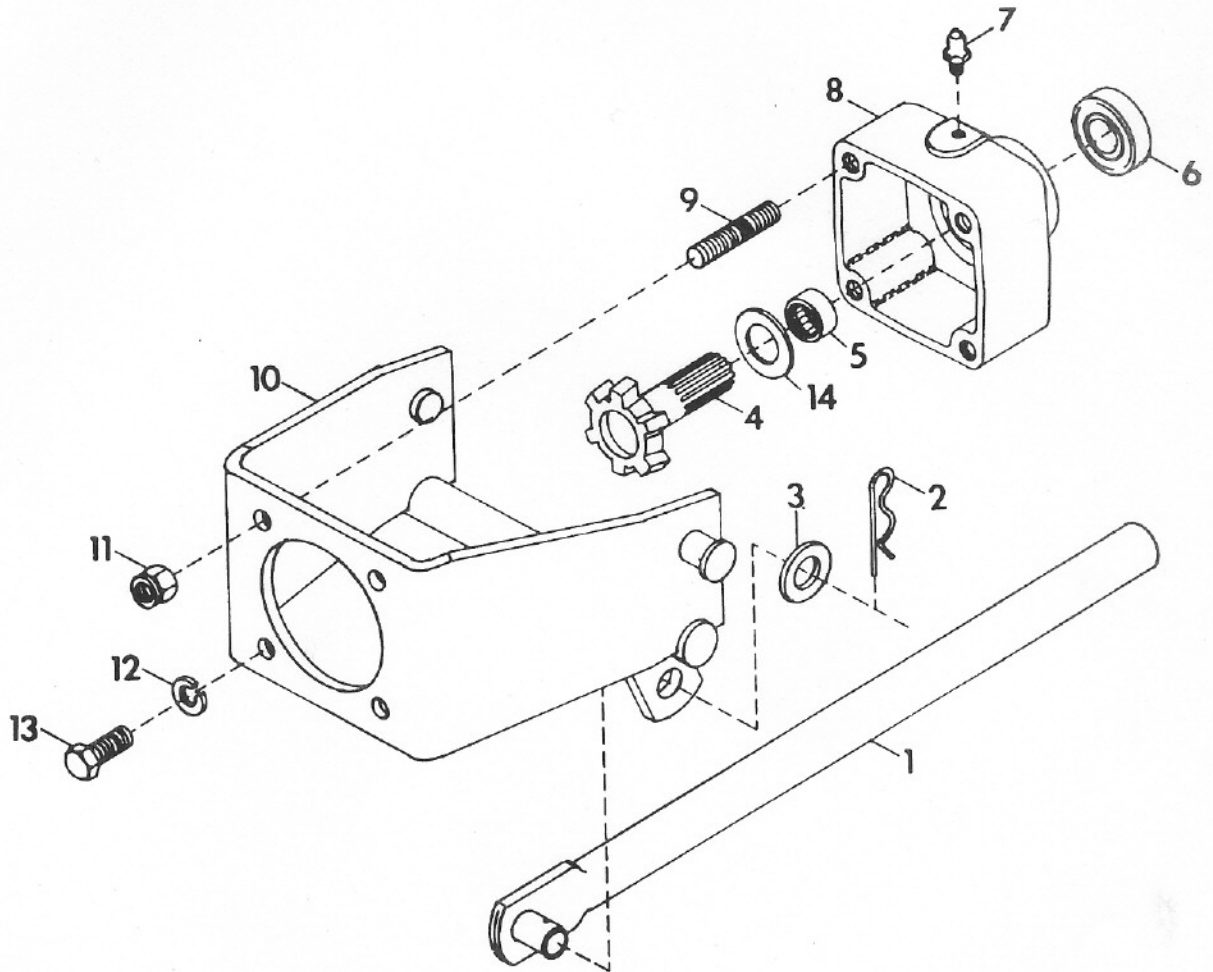
ILLUSTRATED PARTS LIST

FRONT ADAPTER KIT

Model Number 11601E1

Effective Date 5-15-73

Form Number 19665P1



<u>ITEM NO.</u>	<u>PART NO.</u>	<u>DESCRIPTION</u>
1	11607A1	Push Rod Weldment
2	10405P1	Hair Pin Cotter
3	131017	13/16 x 1-15/32 x .134 Flat Washer
4	11603P1	Adapter Dog
5	11604P1	Needle Bearing
6	11605P1	Ball Bearing
7	9411027	1/4-28 Lube Fitting
8	14900P1	Adapter Housing
9	11600P1	Stud
10	11609A1	Adapter Weldment
11	435507	1/2-13 Washer Insert Locknut
12	120384	1/2 Spring Type Lockwasher
13	180177	1/2-13 x 1-1/2 Hex Head Bolt
14	14948P1	Thrust Bearing