

GRAVELLY®

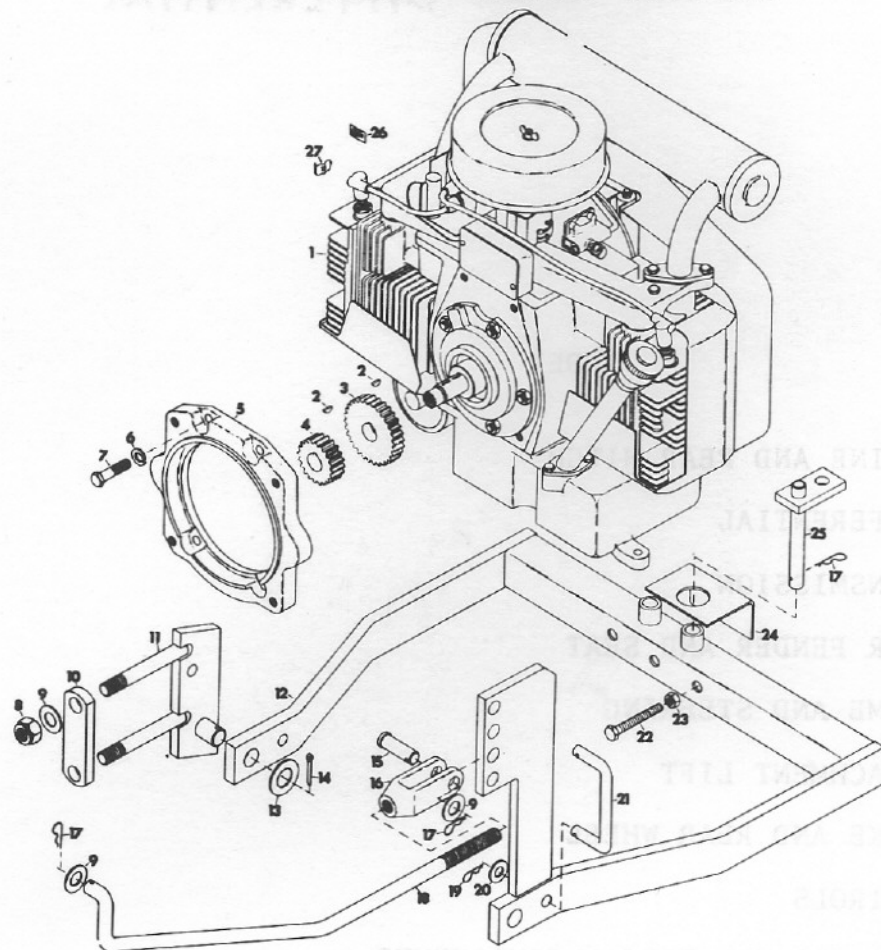
**MODEL 450
ILLUSTRATED
PARTS LIST**

Form No: 17315 (6/73)
For 15565

INDEX	PAGE
ENGINE AND REAR HITCH	2
DIFFERENTIAL	3
TRANSMISSION	5
REAR FENDER AND SEAT	8
FRAME AND STEERING	9
ATTACHMENT LIFT	11
BRAKE AND REAR WHEEL	12
CONTROLS	13
HOOD AND ELECTRICAL COMPONENTS	14
WIRING DIAGRAM	16

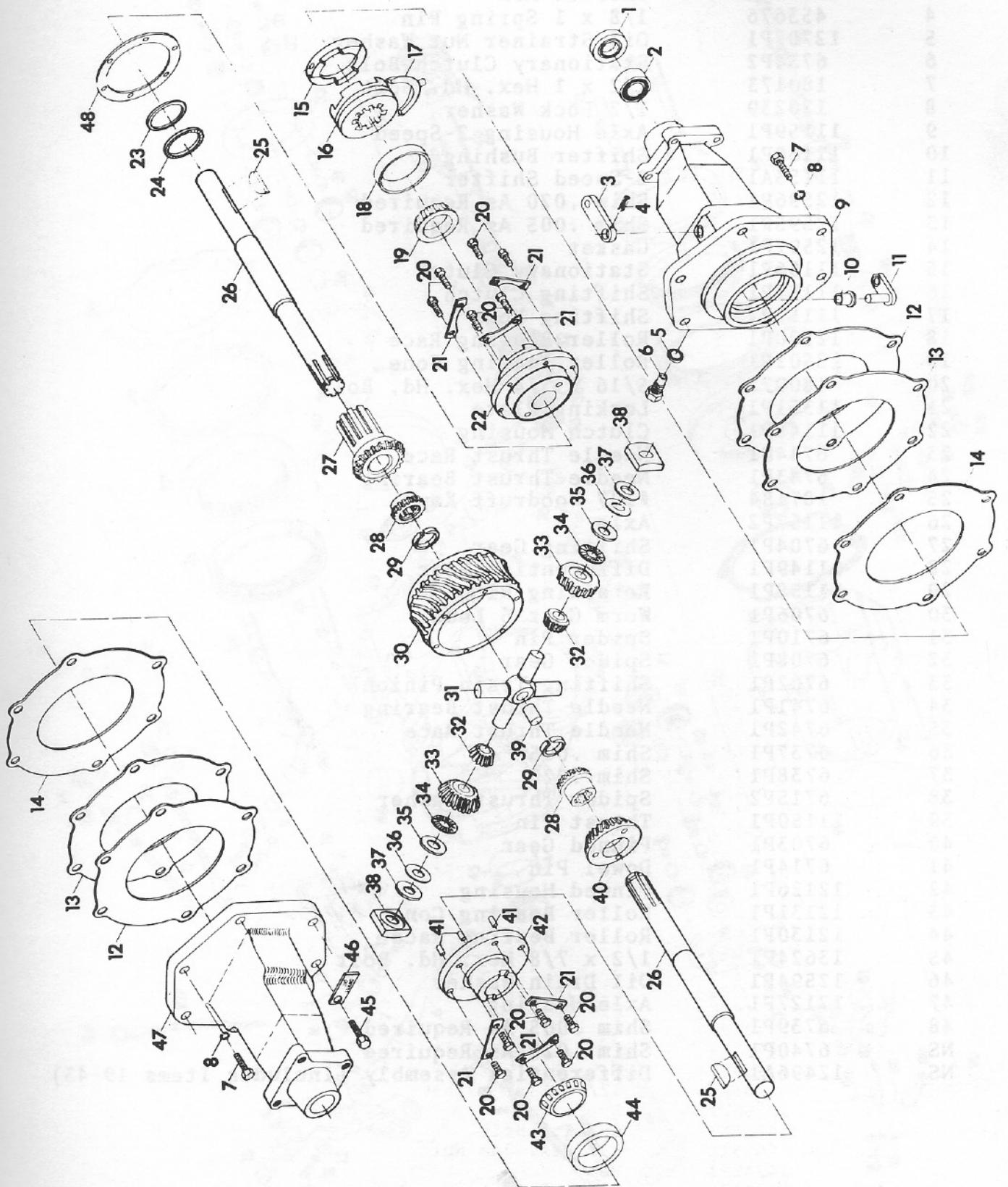
DESCRIPTION	PART NO.	ITEM NO.
Engine	14881A1	1
50 Woodruff Key	12824B	2
Transmission Drive Gear	11002P1	3
Transmission Output Gear	11005M1	4
Engine Adapter	14882B1	5
1/16 Flat Washer	11110G	6
1/16 x 1/2 Lock Nut	18014S	7
5/8 Lock Nut	94288B2	8
1/16 Flat Washer	11301B	9
Rear Axle Tie Strap	11870P2	10
Retaining Assembly Bolt	14717A2	11
Retaining Assembly Bolt	14718A1	12
Rear Hitch Weldment	14760A1	13
1/16 Flat Washer	11301B	14
3/16 x 1/2 Corner Pin	10740B	15
Clevis Pin	14710B1	16
Clevis Pin	14710B1	17
Hair Pin Cotter	10402P1	18
Clevis Pin	14710B1	19
Hair Pin Cotter	11880P1	20
1/16 Flat Washer	11301B	21
Bracket	10750P1	22
Special Bolt	14718B1	23
5/8 Hex. Jam Nut	48212B	24
Pad	14749P1	25
Hitch Pin	14741B1	26
Air Cleaner Instruction Book	10882P1	27
Speed Clip	14712P1	28

ENGINE AND REAR HITCH



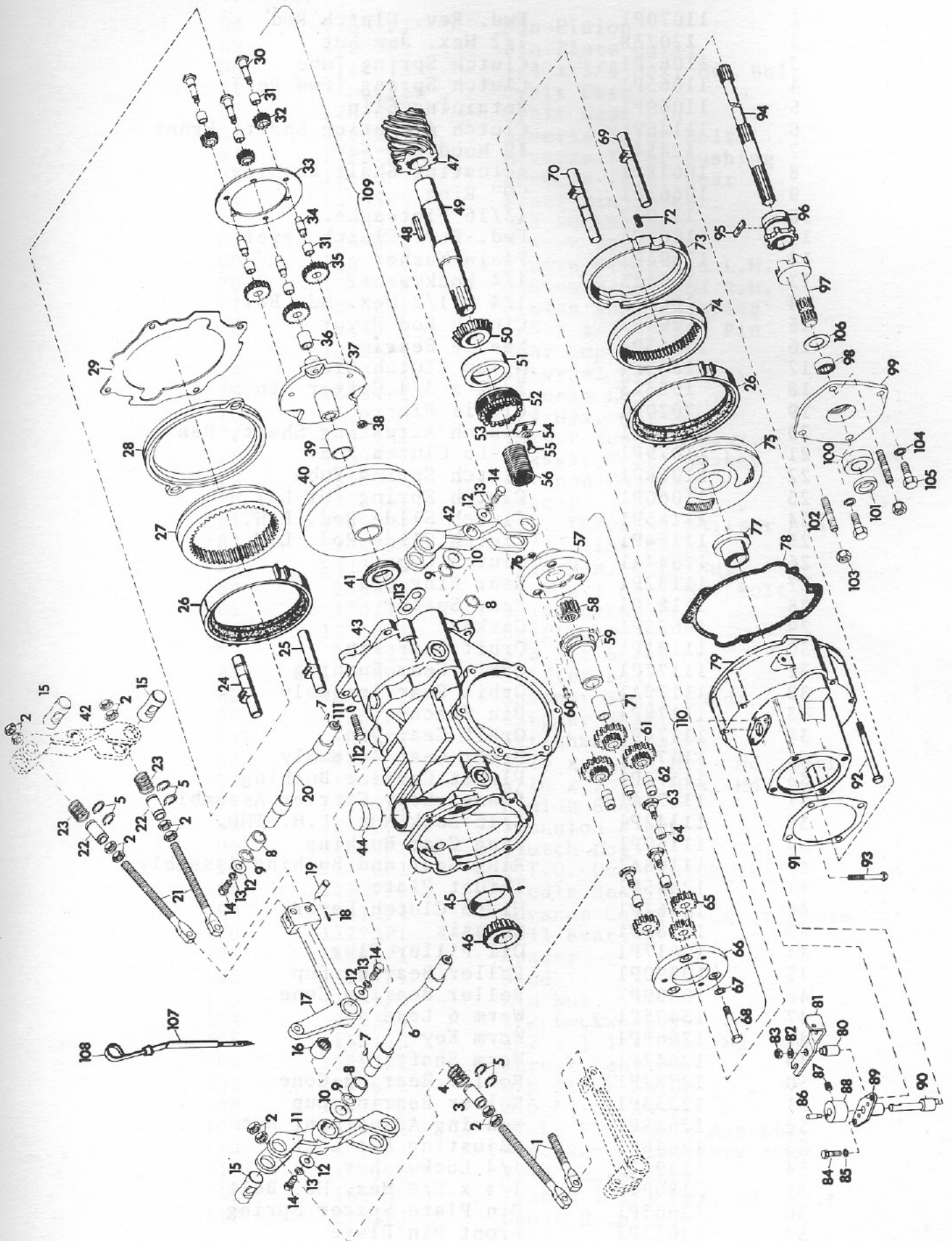
<u>ITEM NO.</u>	<u>PART NO.</u>	<u>DESCRIPTION</u>
1	14861A1	Engine
2	124546	#6 Woodruff Key
3	11005P1	Transmission Drive Gear
4	11006P1	Transmission Drive Gear
5	14862P1	Engine Adapter
6	131100	7/16 Lock Washer
7	180149	7/16 x 1 1/2 Hex. Hd. Bolt
8	9418692	5/8 Lock Nut
9	131016	21/32 Flat Washer
10	11870P2	Rear Axle Tie Strap
11	14717A2	Retaining Assembly, Right
NS	14713A2	Retaining Assembly, Left
12	15766A1	Rear Hitch Weldment
13	131018	15/16 Flat Washer
14	103408	3/16 x 1 1/4 Cotter Pin
15	14720P1	Clevis Pin
16	14719P1	Clevis
17	10405P1	Hair Pin Cotter
18	14721P1	Clevis Rod
19	11860P1	Hair Pin Cotter
20	120396	17/32 Flat Washer
21	15750P1	Brace
22	14718P1	Special Bolt
23	451519	3/8 Hex. Jam Nut
24	14949P1	Pad
25	14741P1	Hitch Pin
26	10862P1	Air Cleaner Instruction Decal
27	7331P1	Speed Clip

DIFFERENTIAL



<u>ITEM NO.</u>	<u>PART NO.</u>	<u>DESCRIPTION</u>
1	11704P1	Oil Seal
2	11164P1	Needle Bearing
3	11161P1	Shifter Arm
4	453676	1/8 x 1 Spring Pin
5	12707P1	Oil Strainer Nut Washer
6	6734P2	Stationary Clutch Bolt
7	180173	1/2 x 1 Hex. Hd. Bolt
8	120239	1/2 Lock Washer
9	11159P1	Axle Housing 2-Speed
10	11160P1	Shifter Bushing
11	11153A1	2-Speed Shifter
12	12596P1	Shim .020 As Required
13	12595P1	Shim .005 As Required
14	12597P1	Gasket
15	11156P1	Stationary Clutch
16	11151P1	Shifting Clutch
17	11152P1	Shifting Yoke
18	12500P1	Roller Bearing Race
19	12501P1	Roller Bearing Cone
20	180077	5/16 x 3/4 Hex. Hd. Bolt
21	11351P1	Locking Plate
22	11148P1	Clutch Housing
23	6744P1	Needle Thrust Race
24	6743P1	Needle Thrust Bearing
25	187184	#127 Woodruff Key
26	11157P2	Axle
27	6704P1	Shifting Gear
28	11149P1	Differential Gear
29	11158P1	Retaining Ring
30	6706P1	Worm Gear 6 Lead
31	6710P1	Spider Pin
32	6708P1	Spider Gear
33	6702P1	Shifting Train Pinion
34	6741P1	Needle Thrust Bearing
35	6742P1	Needle Thrust Race
36	6737P1	Shim .005
37	6738P1	Shim .020
38	6715P2	Spider Thrust Washer
39	11150P1	Thrust Pin
40	6703P1	Pinned Gear
41	6714P1	Dowel Pin
42	12126P1	Pinned Housing
43	12131P1	Roller Bearing Cone
44	12130P1	Roller Bearing Race
45	13624P1	1/2 x 7/8 Hex. Hd. Bolt
46	12594P1	Oil Drain Washer
47	12127P1	Axle Housing
48	6739P1	Shim .005 As Required
NS	6740P1	Shim .020 As Required
NS	12496A1	Differential Assembly (Includes Items 19-43)

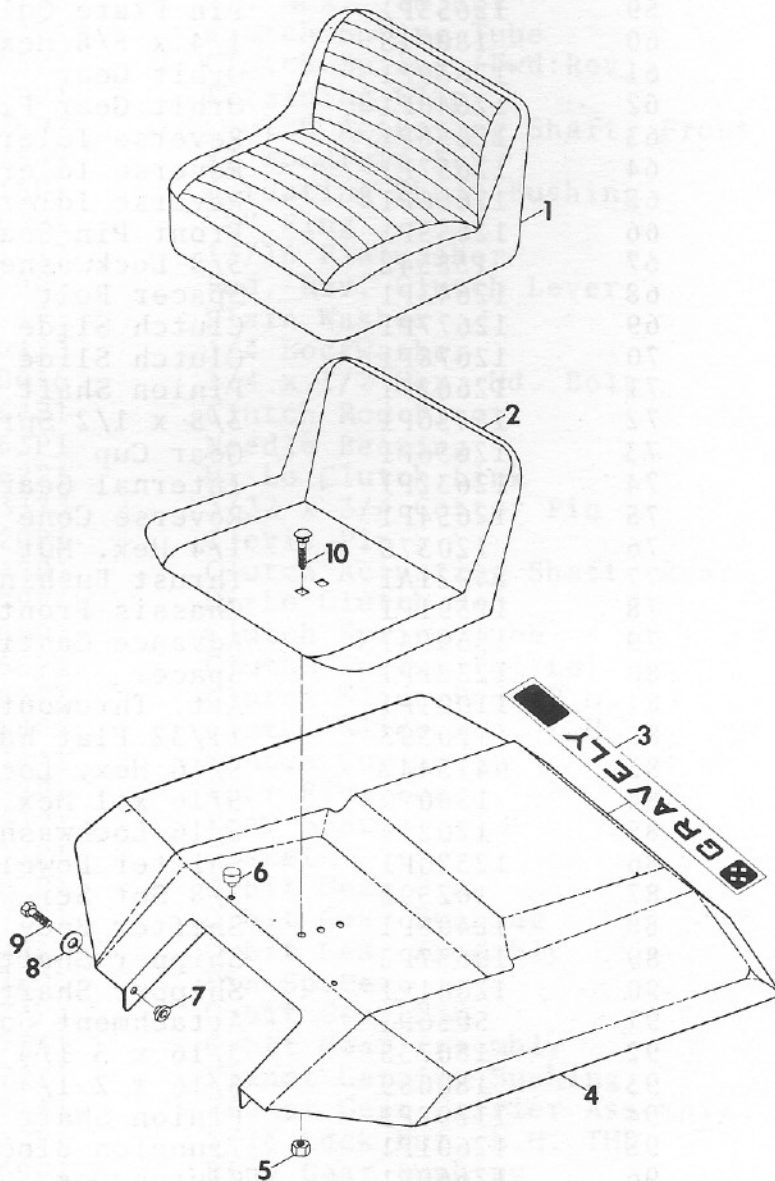
TRANSMISSION



<u>ITEM</u> <u>NO.</u>	<u>PART NO.</u>	<u>DESCRIPTION</u>
1	11070P1	Fwd.-Rev. Clutch Rod
2	120238	1/2 Hex. Jam Nut
3	11067P1	Clutch Spring Tube
4	11065P1	Clutch Spring (Fwd:Rev)
5	11069P1	Retaining Clip
6	11146P1	Clutch Actuating Shaft, Front
7	124549	#9 Woodruff Key
8	10618P1	Actuating Shaft Bushing
9	10663P1	"O" Ring
10	131017	13/16 Flatwasher
11	11060P1	Fwd.-Rev. Clutch Lever
12	12694P1	Plain Washer
13	120423	1/4 Lockwasher
14	180016	1/4 x 1/2 Hex. Hd. Bolt
15	11064P1	Clutch Rod Pivot
16	11063P1	Needle Bearing
17	11062P1	Hi-Lo Clutch Link
18	103373	3/32 x 3/4 Cotter Pin
19	7020P1	Clevis Pin
20	11147P1	Clutch Actuating Shaft, Rear
21	11079P1	Hi-Lo Clutch Rod
22	11068P1	Clutch Spring Tube
23	11066P1	Clutch Spring (Hi-Lo)
24	11185P1	Clutch Slide Rod, R.H.
25	11184P1	Clutch Slide Rod, L.H.
26	12644A1	Clutch Cup
27	11182P1	Rear Ring Gear
28	11183P1	Rear Spacer
29	10635P1	Gasket
30	11181P1	Orbit Gear Pin
31	11177P1	Orbit Gear Bushing
32	11179A1	Orbit Gear Assembly
33	11178P1	Pin Spacer
34	11174P1	Orbit Gear Pin
35	11175A1	Orbit Gear Assembly
36	11172P1	Planet Carrier Bushing
37	11171A1	Planet Gear Carrier Assembly
38	11342P1	5/16 Lock Nut L.H. THD.
39	11169P1	Ring Gear Bushing
40	11168A1	Ring Gear and Bushing Assembly
41	12645P1	Thrust Plate
42	11061P1	Hi-Lo Clutch Lever
43	11188P1	Chassis
44	10617P1	Oil Filler Plug
45	10390P1	Roller Bearing Cup
46	10389P1	Roller Bearing Cone
47	13495P1	Worm 6 Lead
48	12668P1	Worm Key
49	12647P1	Worm Shaft
50	12332P1	Roller Bearing Cone
51	12333P1	Roller Bearing Cup
52	12635P1	Bearing Adjustment Nut
53	12648P1	Adjusting Nut Lock
54	120423	1/4 Lockwasher
55	180018	1/4 x 5/8 Hex. Hd. Bolt
56	12663P1	Pin Plate Spacer Spring
57	12633P2	Front Pin Plate

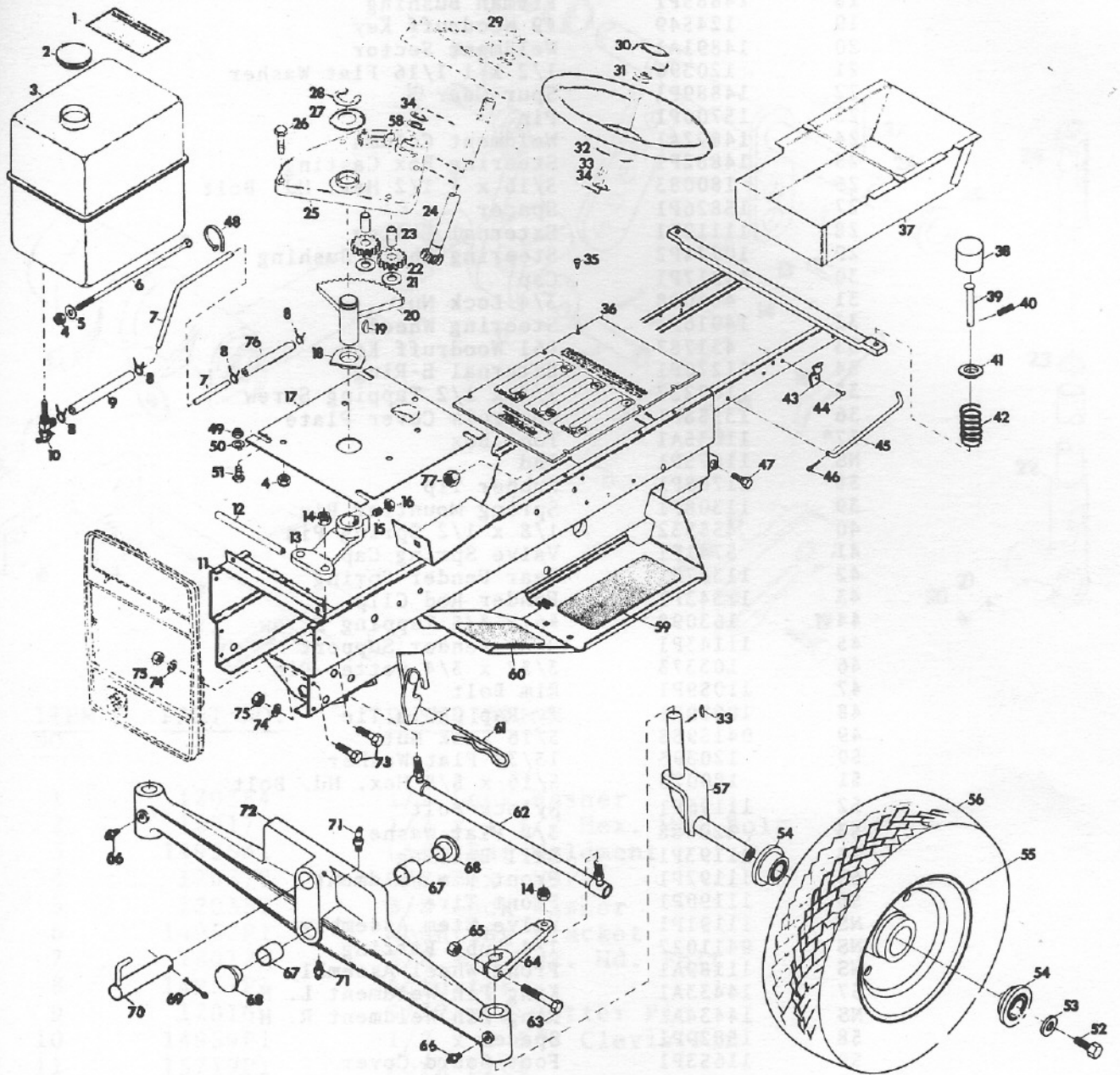
<u>ITEM</u> <u>NO.</u>	<u>PART NO.</u>	<u>DESCRIPTION</u>
58	12637P1	Sun Pinion
59	12653P1	Pin Plate Quill
60	180018	1/4 x 5/8 Hex. Hd. Bolt
61	12639P1	Orbit Gear
62	12640P1	Orbit Gear Pin
63	12658P1	Reverse Idler Bolt
64	12657P1	Reverse Idler Bushing
65	12656P1	Reverse Idler Gear
66	12655P1	Front Pin Spacer
67	138542	3/8 Lockwasher
68	12643P1	Spacer Bolt
69	12677P1	Clutch Slide Rod L.H.
70	12678P1	Clutch Slide Rod R.H.
71	12662P1	Pinion Shaft Bearing
72	13456P1	3/8 x 1/2 Spring Pin
73	12636P1	Gear Cup
74	12632P1	Internal Gear
75	12654P1	Reverse Cone
76	120375	1/4 Hex. Nut
77	14921A1	Thrust Bushing Assy.
78	12591P1	Chassis Front Gasket
79	15695A1	Advance Casting
80	12322P1	Spacer
81	11091P1	Att. Throwout Shifter Arm
82	120393	11/32 Flat Washer
83	9413447	5/16 Hex. Lock Nut
84	180079	5/16 x 1 Hex. Hd. Bolt
85	120214	5/16 Lockwasher
86	12320P1	Shifter Dowel
87	102592	3/8 Set Screw
88	12408P1	Shifter Body
89	10687P2	Shipper Shaft Guide
90	12661P1	Shipper Shaft
91	5056P1	Attachment Gasket
92	180735	5/16 x 3 1/4 Hex. Hd. Bolt
93	180089	5/16 x 2 1/4 Hex. Hd. Bolt
94	11298P1	Pinion Shaft
95	12601P1	Trunnion Block
96	12660P1	Clutch Dog
97	11872P1	P.T.O. Dog Clutch Shaft
98	11227P1	Needle Bearing
99	14612P1	Advance Casting Cover Plate
100	11293P1	Ball Bearing
101	11841P1	Spacer
102	11187P1	Stud
103	11058P1	Rim Nut
104	120384	1/2 Lockwasher
105	180175	1/2 x 1 1/4 Hex. Hd. Bolt
106	11983P1	Thrust Bearing
107	10586P1	Dip Stick Guide
108	10622P1	Dip Stick Assy.
109	14615A1	Hi-Lo Planetary Assembly
110	14922A1	Fwd.-Rev. Planetary Assy.
111	131100	7/16 Lockwasher
112	180147	7/16 x 1 1/4 Hex. Hd. Bolt
113	12285P1	Cable Retainer

REAR FENDER AND SEAT



<u>ITEM NO.</u>	<u>PART NO.</u>	<u>DESCRIPTION</u>
1	11659P1	Seat Pad
2	11658P1	Seat Pan
3	14863P1	Decal
4	15833A1	Rear Fender Weldment
5	435507	1/2 Lock Nut
6	11352P1	Bumper
7	11138P1	Rear Fender Bushing
8	120394	13/32 Flat Washer
9	181637	3/8 x 1 Hex. Hd. Bolt
10	126485	1/2 x 1 1/4 Carriage Bolt
NS	11989P1	Electrical System Warning Decal

FRAME AND STEERING

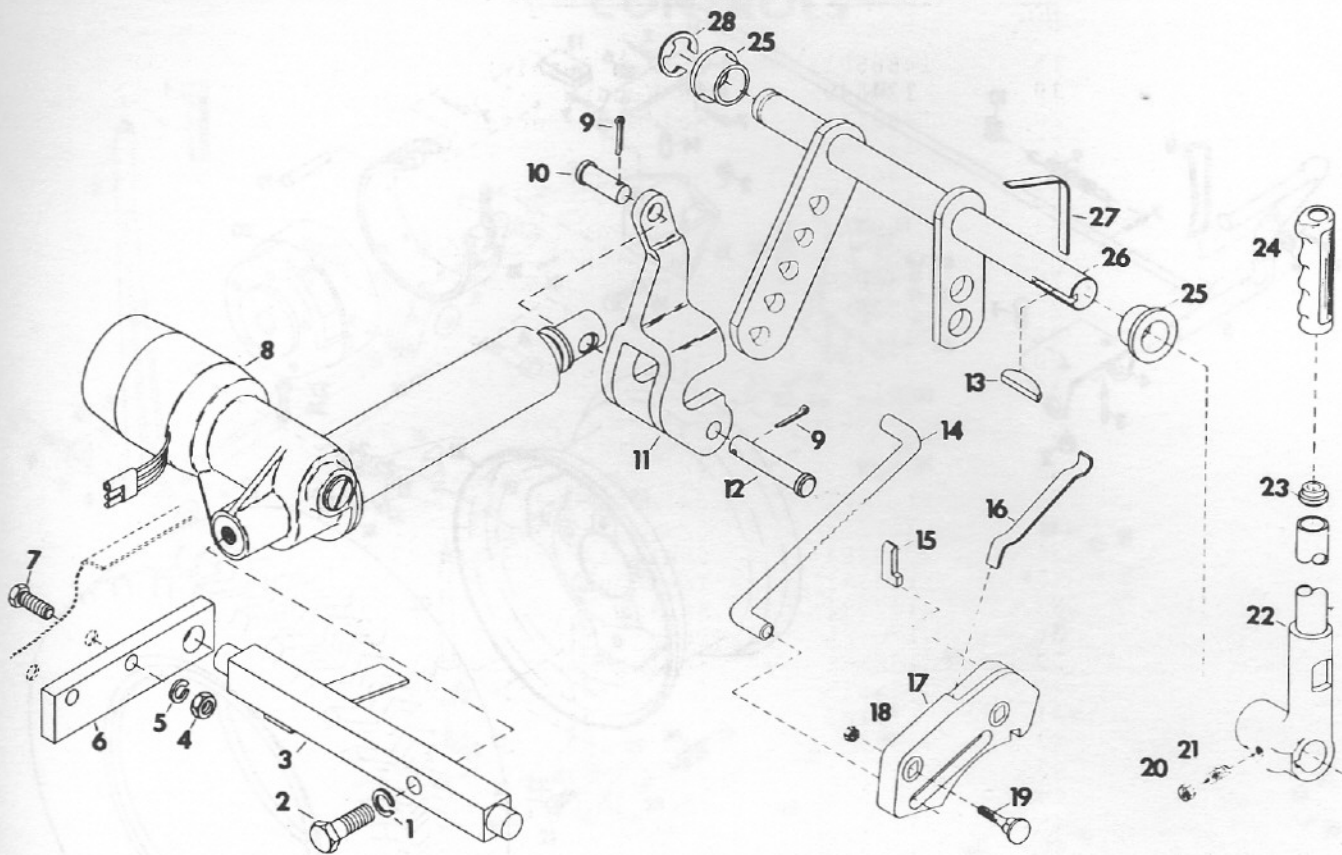


1	11989P1	Electrical System Warning Decal
2	7289P1	Fuel Cap
3	12383P1	Fuel Tank
4	9419455	5/16 Lock Nut
5	120393	11/32 Flat Washer
6	15823P1	5/16 x 12 Carriage Bolt
7	12382P1	Fuel Line
8	7216P1	Fuel Hose Clamp
9	10896P1	Line
10	7354P1	Valve and Strainer
11	14915A1	Main Frame Weldment
12	14897P1	Moulding
13	14890P1	Steering Pitman
14	192481	3/8 Lock Nut
15	102597	3/8 x 1 Set Screw
16	124829	3/8 Hex. Jam Nut
17	14883P1	Mounting Plate

<u>ITEM NO.</u>	<u>PART NO.</u>	<u>DESCRIPTION</u>
18	14885P1	Pitman Bushing
19	124549	#9 Woodruff Key
20	14891A1	Weldment Sector
21	120396	1/2 x 1 1/16 Flat Washer
22	14889P1	Spur Gear
23	15706P1	Pin
24	14892A1	Weldment Column
25	14882P1	Steering Box Casting
26	180083	5/16 x 1 1/2 Hex. Hd. Bolt
27	15826P1	Spacer
28	11112P1	External E-Ring
29	10174P2	Steering Shaft Bushing
30	14917P1	Cap
31	456008	3/4 Lock Nut
32	14916P1	Steering Wheel
33	431787	#61 Woodruff Key
34	11270P1	External E-Ring
35	167257	1/4 x 1/2 Tapping Screw
36	13558P1	Controls Cover Plate
37*	11035A1	Tool Box
NS	11875P1	Pad
38	11768P1	Rubber Tip
39	11308P1	Spring Mounting Pin
40	455532	1/8 x 1/2 Spring Pin
41	5741P1	Valve Spring Cap
42	11307P1	Rear Fender Spring
43	11343P1	Fender Rod Clip
44	163098	#6 x 3/8 Tapping Screw
45	11143P1	Rear Fender Support
46	103373	3/32 x 3/4 Cotter Pin
47	11059P1	Rim Bolt
48	10629P1	Ty-Rap Cable Tie
49	9415988	5/16 Lock Nut
50	120393	13/32 Flat Washer
51	180075	5/16 x 5/8 Hex. Hd. Bolt
52	11196P1	Nylock Bolt
53	120388	3/8 Flat Washer
54	11193P1	Ball Bearing
55	11192P1	Front Rim Weldment
56	11190P1	Front Tire
NS	11191P1	Valve Stem Assembly
NS	9411027	1/4 Lube Fitting
NS	11189A1	Front Wheel Assembly
57	14433A1	King Pin Weldment L. H.
NS	14434A1	King Pin Weldment R. H.
58	15829P1	Spacer
59	11653P1	Foot Board Cover
60	11654P1	Foot Board Cover
61	10405P1	Hair Pin Cotter
62	11130P1	Tie Rod Assembly
63	180132	3/8 x 2 1/4 Hex. Hd. Bolt
64	11127P1	Tie Rod Arm
65	120377	3/8 Hex. Nut
66	9411027	1/4 Lube Fitting
67	11310P1	Bushing
68	11311P1	Cap
69	103420	1/4 x 1 1/2 Cotter Pin
70	14624A1	Axle Pivot Weldment
71	9411031	1/4 - 45° Lube Fitting
72	14435A1	Axle and Bushing Assembly
73	180079	5/16 x 1 Hex. Hd. Bolt
74	120214	5/16 Lock Washer
75	120376	5/16 Hex. Nut
76	12714P1	Fuel Line Connector
77	11058P1	Rim Nut

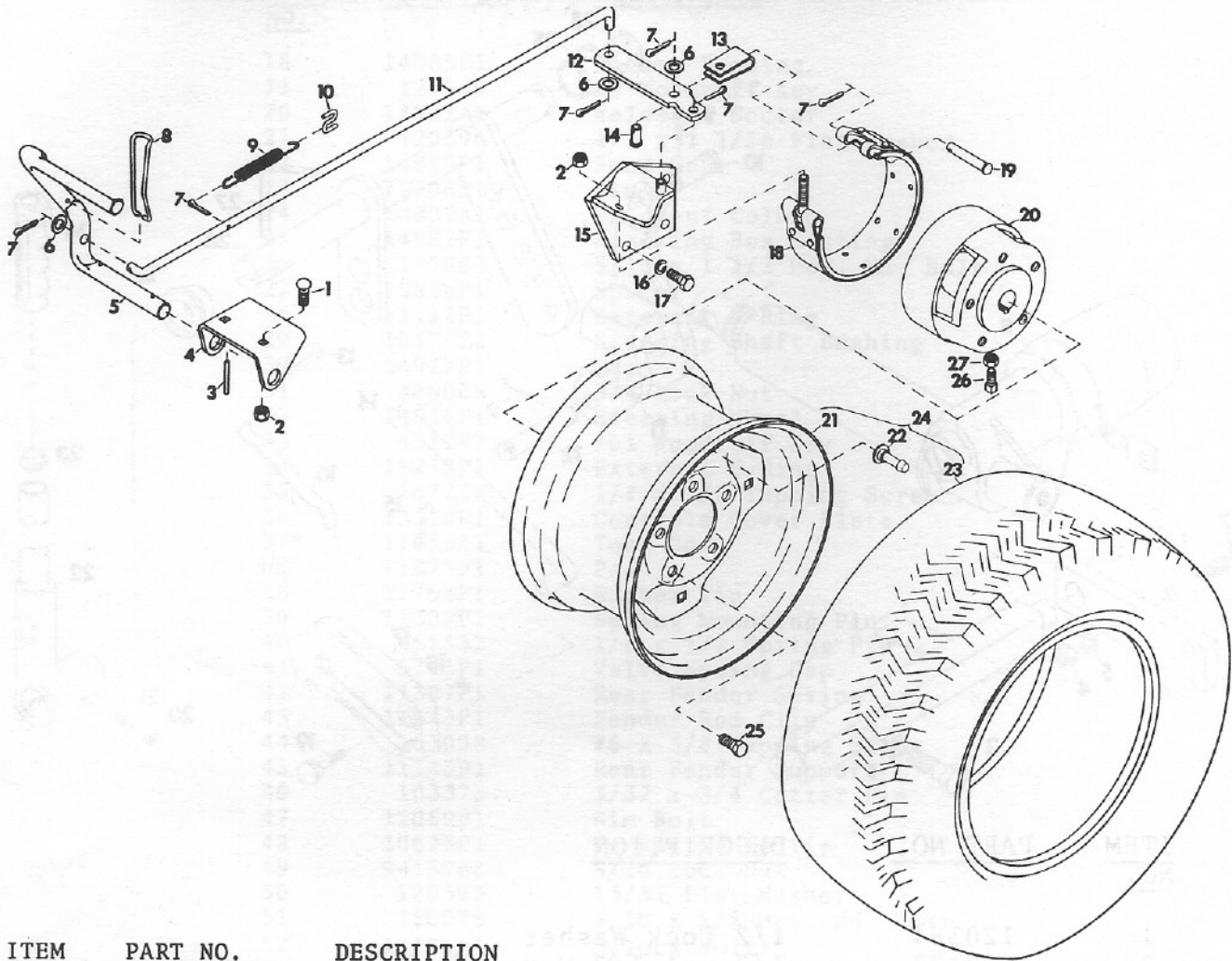
* 430 & 432 Tractors Only

ATTACHMENT LIFT



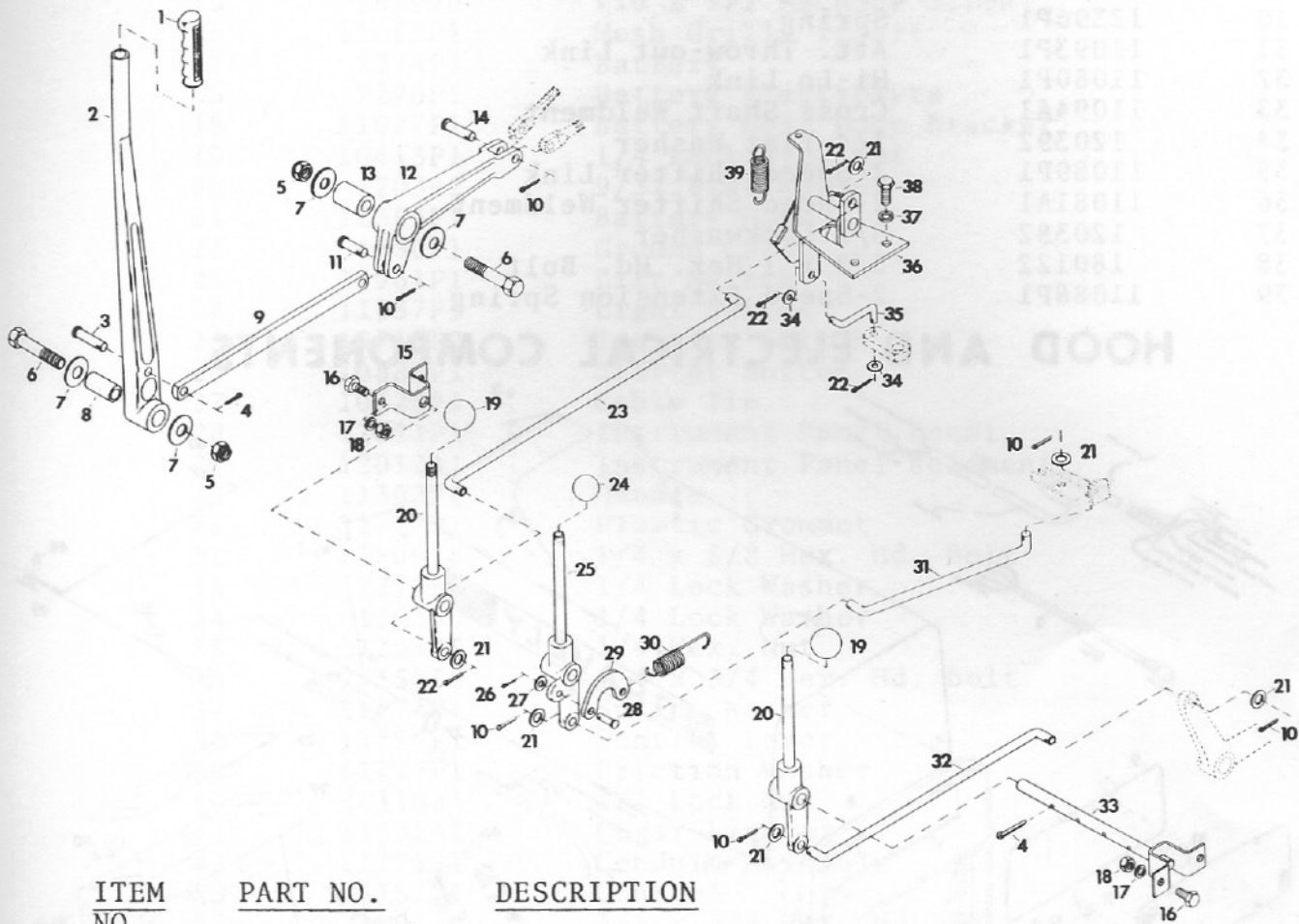
<u>ITEM NO.</u>	<u>PART NO.</u>	<u>DESCRIPTION</u>
1	120384	1/2 Lock Washer
2	180177	1/2 x 1 1/2 Hex. Hd. Bolt
3	14955A1	Lift Bar Weldment
4	120377	3/8 Hex. Nut
5	120382	3/8 Lock Washer
6	14952P1	Mounting Bracket
7	180122	3/8 x 1 Hex. Hd. Bolt
8	14957P1	Actuator
9	120169	5/32 x 1 Cotter Pin
10	14959P1	1/2 x 1 5/8 Clevis Pin
11	15719P1	Fork Lift
12	14960P1	1/2 x 2 1/4 Clevis Pin
13	187184	#127 Woodruff Key
14	11104P1	Lever Stop Rod
15	11106P1	Lever Stop
16	11105P1	Stop Spring
17	11103P1	Locator Casting
18	456004	3/8 Lock Nut
19	180124	3/8 x 1 1/4 Hex. Hd. Bolt
20	124829	3/8 Hex. Jam Nut
21	102597	3/8 x 1 Set Screw
22	11113A1	Lift Lever Assembly
23	11117P1	Push Rod Guide
24	11119P1	Flex Grip
25	11111P1	Pivot Bushing
26	11107P1	Lift Lever Shaft Weldment
27	14951P1	Flat Spring
28	11112P1	E-Ring

BRAKE AND REAR WHEEL ASSEMBLY



<u>ITEM NO.</u>	<u>PART NO.</u>	<u>DESCRIPTION</u>
1	126227	3/8 x 3/4 Rd. Hd. Sq. Nk. Bolt
2	456004	3/8 Lock Nut
3	454668	3/16 x 1 1/4 Spring Pin
4	11021P1	Brake Pedal Bracket
5	11008P1	Brake Pedal L.H.
NS	11009P1	Brake Pedal R.H.
6	120394	13/32 x 13/16 Flat Washer
7	177923	Cotter Pin
8	11022P1	Brake Stop
9	11263P1	Spring
10	11329P1	Spring Clip
11	11020P1	Brake Rod
12	11012P1	Brake Lever
13	11014P1	Brake Clip
14	11011P1	Clevis Pin
15	11017A1	Brake Support Weldment L.H.
NS	11331A1	Brake Support Weldment R.H.
16	120382	3/8" Lockwasher
17	180122	3/8 x 1 Hex. Hd. Bolt
18	11023A1	Brake Band Assembly
19	7072P1	Clevis Pin
20	11167P1	Wheel Hub
21	11195P1	Rear Rim Weldment
22	11191P1	Valve Stem Assembly
23	11194P1	Rear Tire
24	11705A1	Rear Wheel Assembly
25	12744P1	Wheel Hub Bolts
26	11896P1	Special Set Screw
27	124829	3/8 Hex Jam Nut

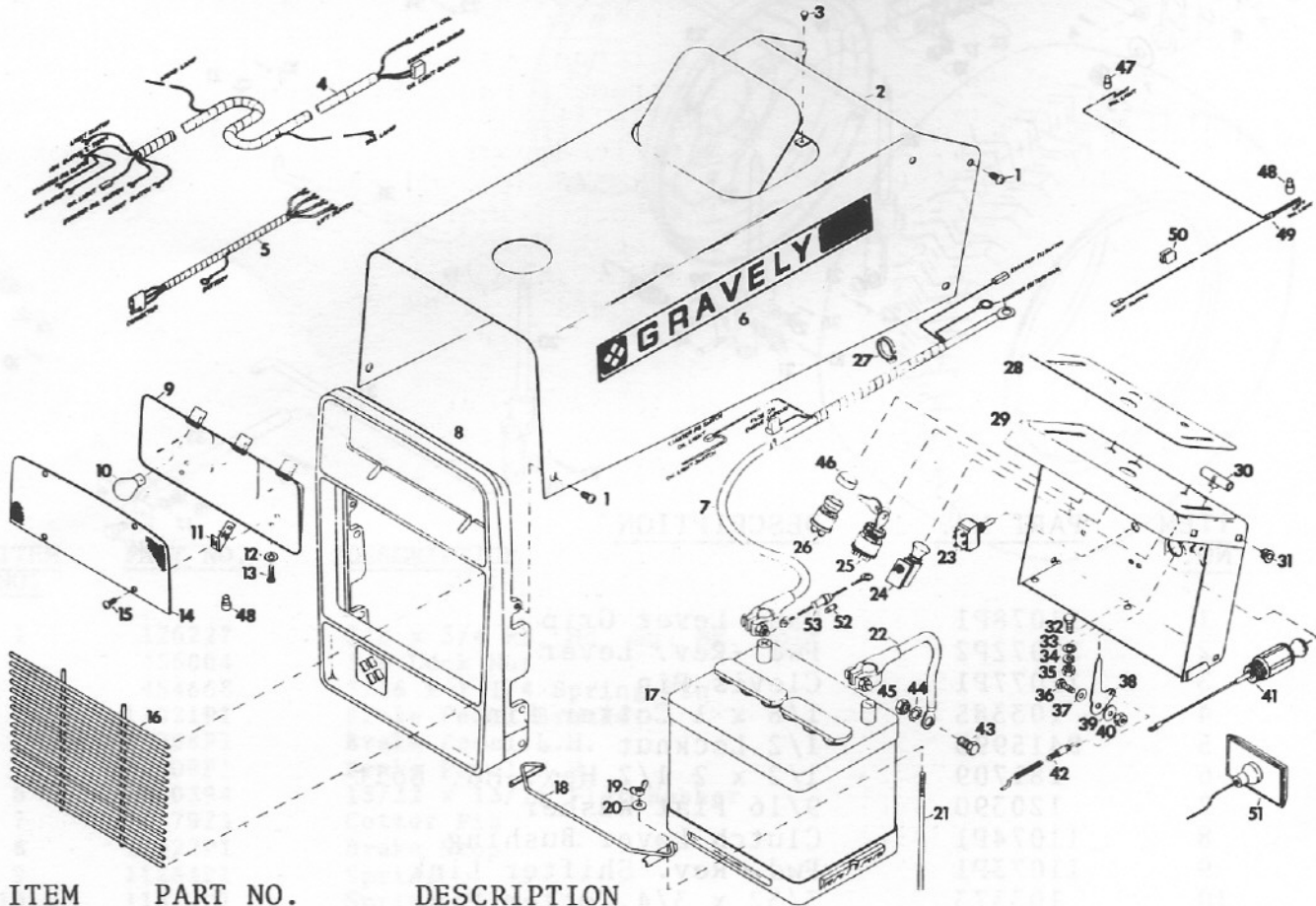
CONTROLS



<u>ITEM NO.</u>	<u>PART NO.</u>	<u>DESCRIPTION</u>
1	11078P1	Hand Lever Grip
2	11072P2	Fwd.-Rev. Lever
3	11077P1	Clevis Pin
4	103385	1/8 x 1 Cotter Pin
5	9415993	1/2 Locknut
6	181709	1/2 x 2 1/2 Hex. Hd. Bolt
7	120390	9/16 Flat Washer
8	11074P1	Clutch Lever Bushing
9	11073P1	Fwd.-Rev. Shifter Link
10	103373	3/32 x 3/4 Cotter Pin
11	11718P1	Clevis Pin
12	11071P1	Fwd.-Rev. Clutch Link
13	11075P1	Clutch Link Bushing
14	11076P1	Clevis Pin
15	11096P1	Control Cross Shaft Bracket
16	180077	5/16 x 3/4 Hex. Hd. Bolt
17	120214	5/16 Lockwasher
18	120376	5/16 Hex. Nut
19	11297P1	Shift Lever Knob
20	11775A1	Control Arm & Lever Assembly
21	120394	13/32 Flatwasher
22	103362	1/16 x 3/4 Cotter Pin
23	11090P1	2-Speed Shifter Rod
24	10670P1	Shift Lever Knob
25	14227A1	Control Arm Assembly
26	112726	1/16 x 1/2 Cotter Pin

27	446188	17/64 Flatwasher
28	138077	Clevis Pin
29	11276P1	Spring Link
30	12396P1	Spring
31	11093P1	Att. Throw-out Link
32	11080P1	Hi-Lo Link
33	11094A1	Cross Shaft Weldment
34	120392	1/4 Flat Washer
35	11089P1	2-Speed Shifter Link
36	11081A1	2-Speed Shifter Weldment
37	120382	3/8 Lockwasher
38	180122	3/8 x 1 Hex. Hd. Bolt
39	11088P1	2-Speed Extension Spring

HOOD AND ELECTRICAL COMPONENTS



<u>ITEM NO.</u>	<u>PART NO.</u>	<u>DESCRIPTION</u>
1	167257	1/4 x 1/2 Machine Screw
2	15707A1	Hood Assembly
3	12394P1	Button
4	15748P1	Wiring Harness
5	14958P1	Wiring Harness
6	14863P1	Decal
7	15747P1	Wiring Harness
8	10969P1	Grille Casting
9	11334A1	Lamp Reflector Assembly
10	454646	Lamp
11	11030P1	Light Mounting Clip
12	120385	1/4 Flat Washer
13	159947	#10 x 3/4 Machine Screw
14	11289P1	Front Light Panel

<u>ITEM NO.</u>	<u>PART NO.</u>	<u>DESCRIPTION</u>
15	159920	#10 x 1/2 Machine Screw
16	11057P1	Mesh Grille Insert
17	7274P1	Battery
NS	7270P1	Battery Electrolyte
18	11027P1	Battery Hold Down Bracket
19	10413P1	1/4 Lock Wing Nut
20	120392	9/32 Flat Washer
21	12386P1	Battery Hook
22	6980P1	Ground Cable
23	14961P1	Lift Switch
24	11337P1	Light Switch
25	10713P2	Ignition Switch
26	10885P1	Starter Button
27	10629P1	Cable Tie
28	12011P1	Instrument Panel Decal
29	12012A1	Instrument Panel Weldment
30	11302P2	Handle
31	11777P1	Plastic Grommet
32	180018	1/4 x 5/8 Hex. Hd. Bolt
33	121753	1/4 Lock Washer
34	120380	1/4 Lock Washer
35	120375	1/4 Hex. Nut
36	9415858	1/4 x 3/4 Hex. Hd. Bolt
37	11774P1	Spring Washer
38	11776P1	Control Lever
39	11772P1	Friction Washer
40	9411621	1/4 Lock Nut
41	11332A1	Cigar Lighter
42	11771P1	Conduit Assembly
NS	15752P1	Control
43	180120	3/8 x 3/4 Hex. Hd. Bolt
44	138489	3/8 Lock Washer
45	120377	3/8 Hex. Nut
46	12020P1	Starter Button Cap
47	6913P1	Sta-Kon Terminal
48	11763P1	Wire Nut
49	15765P1	Wiring Harness
NS	15757P1	Tape
50	11286P1	Wire Clip
51	15749P1	Tail Light
52	14893P1	30 Amp Fuse
53	17124A1	Fuse Holder Assy.

HOOD AND ELECTRICAL COMPONENTS

WIRING DIAGRAM

