



GRAVELLY[®]

**424 AND 430
ILLUSTRATED
PARTS LIST**

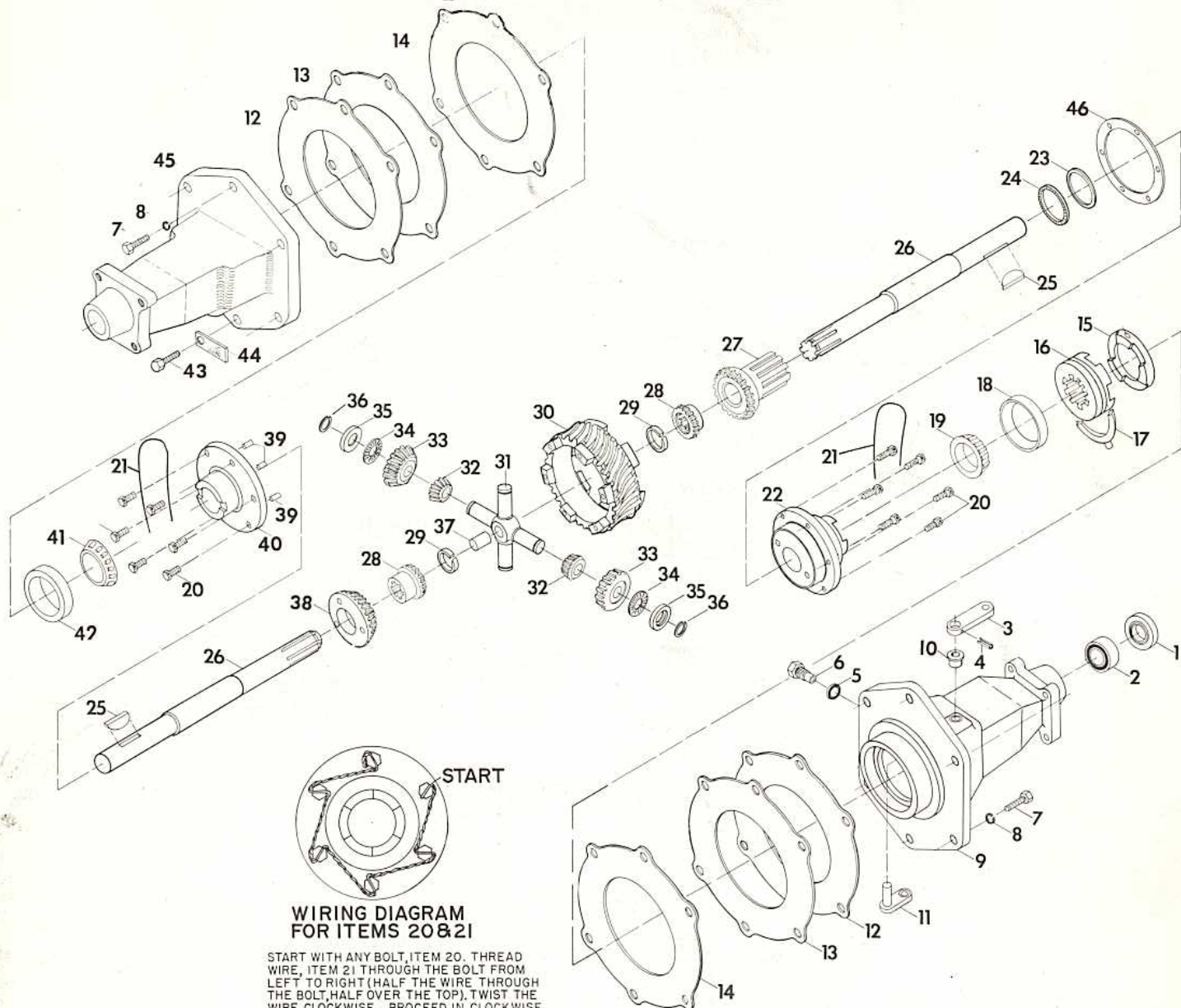


1 Gravelly Lane
Clemmons, North Carolina 27012

INDEX

	PAGE
DIFFERENTIAL	2
CONTROLS	3
ENGINE AND TRANSMISSION	5
FRAME ASSEMBLY	9
WIRING DIAGRAM	14

DIFFERENTIAL



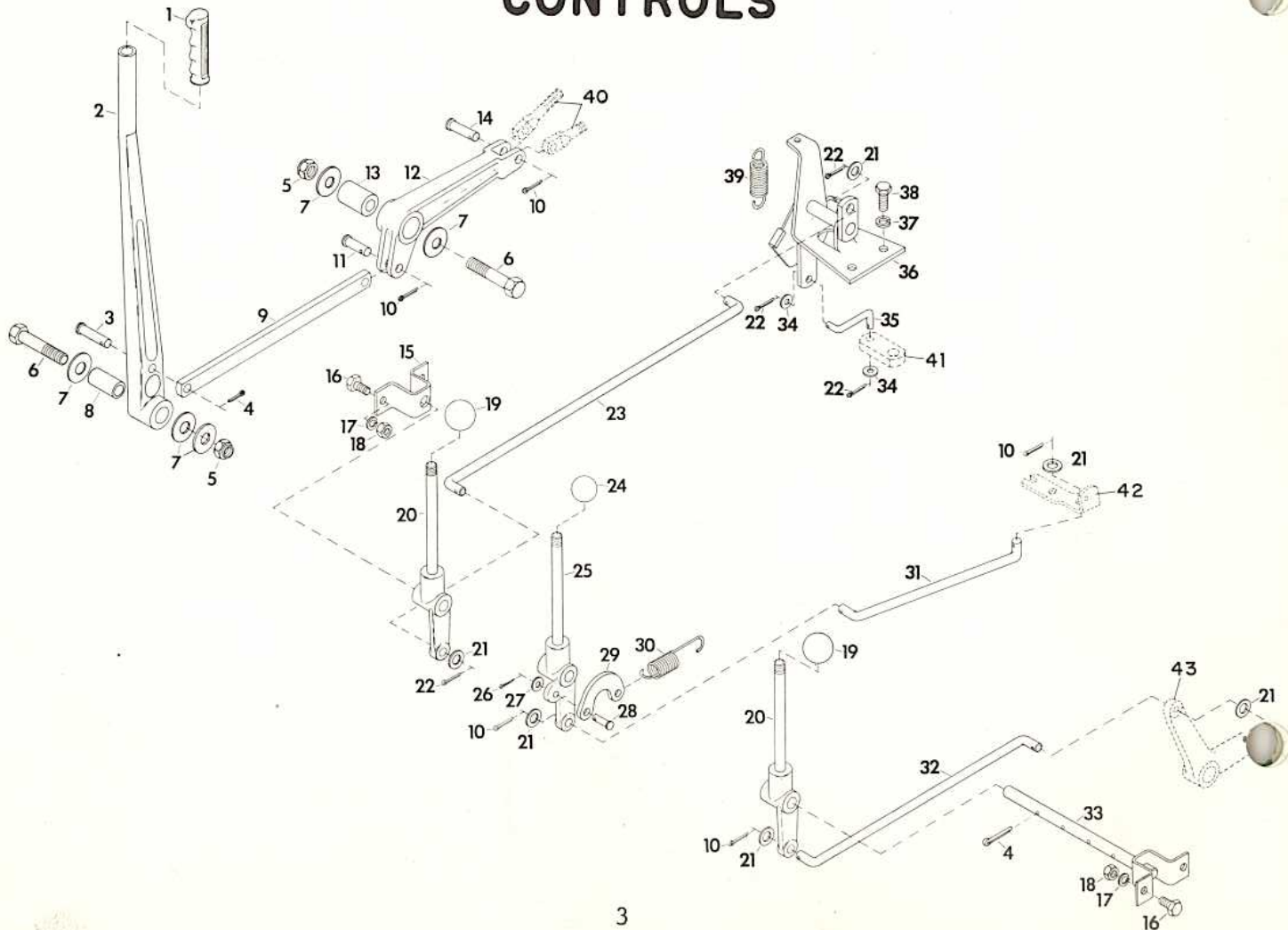
WIRING DIAGRAM FOR ITEMS 20&21

START WITH ANY BOLT, ITEM 20. THREAD WIRE, ITEM 21 THROUGH THE BOLT FROM LEFT TO RIGHT (HALF THE WIRE THROUGH THE BOLT, HALF OVER THE TOP). TWIST THE WIRE CLOCKWISE. PROCEED IN CLOCKWISE DIRECTION TO NEXT BOLT AND REPEAT PROCEDURE.

ITEM NO.	PART NO.	DESCRIPTION
1	11704P1	Axle Seal
2	11164P1	Needle Bearing
3	11161P1	Shifter Arm
4	453676	1/8 x 1 Spring Pin
5	12707P1	Oil Strainer Nut Washer
6	6734P2	Stationary Clutch Bolt
7	180173	1/2 - 13 x 1 Hex Hd. Bolt
8	120384	1/2 Spring Type Lockwasher
9	11159P1	Axle Housing 2-Speed
10	11160P1	Shifter Bushing
11	11153A1	2-Speed Shifter
12	12596P1	Axle Housing Shim .020
13	12595P1	Axle Housing Shim .005
14	12597P1	Gasket
15	11156P1	Stationary Clutch
16	11151P1	Shifting Clutch
17	11152P1	Shifting Yoke
18	12500P1	Bearing Race
19	12501P1	Bearing Cone

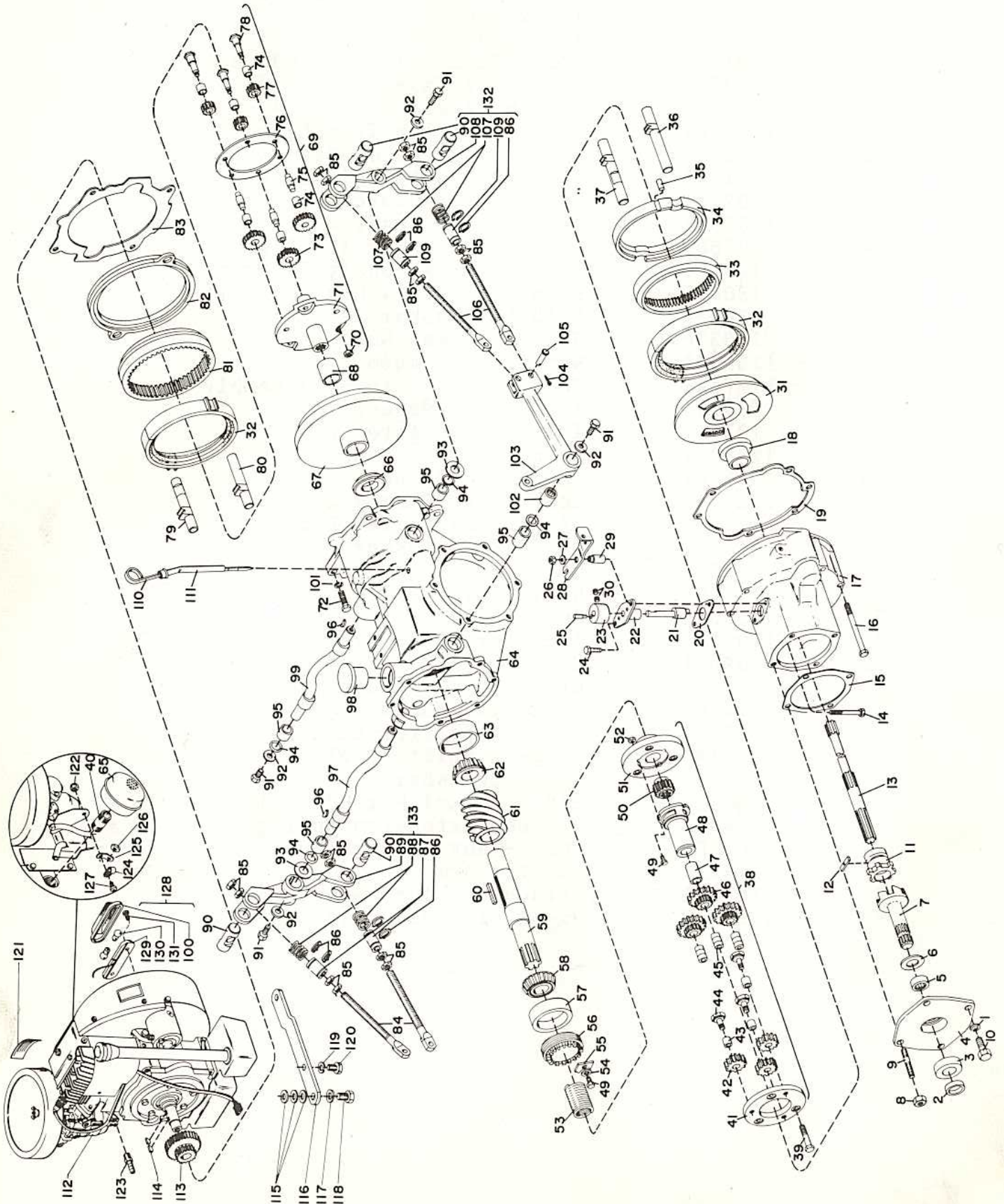
20	18604P1	5/16 - 18 x 3/4 Special Bolt
21	18605P1	Lock Wire
22	11148P1	Clutch Housing
23	6744P1	Race
24	6743P1	Bearing
25	187184	#127 Woodruff Key
26	11157P2	Axle
27	6704P1	Shifting Gear
28	11149P1	Differential Gear
29	11158P1	Retaining Ring
30	15731P1	6 Start Worm Gear
31	15730P1	Spider Pin
32	6708P1	Spider Gear
33	6702P1	Shifting Train Pinion
34	6741P1	Bearing
35	15734P1	Spacer
36	15733P1	Snap Ring
37	11150P1	Thrust Pin
38	6703P1	Pinned Gear
39	6714P1	Dowel Pin
40	12126P1	Pinned Housing
41	12131P1	Roller Bearing Cone
42	12130P1	Roller Bearing Race
43	13624P1	1/2 - 13 x 1 Hex Hd. Capscrew
44	12594P1	Oil Drain Washer
45	12127P1	Axle Housing
46	6739P1	Clutch HSG Worm Gear Shim .005
NS	6740P1	Clutch HSG Worm Gear Shim .020

CONTROLS



<u>ITEM NO.</u>	<u>PART NO.</u>	<u>DESCRIPTION</u>
1	11078P1	Hand Lever Grip
2	11072P2	Fwd. - Rev. Lever
3	11077P1	Clevis Pin 3/8 x 1 5/8 Lg.
4	103385	1/8 x 1 Cotter Pin
5	9415993	1/2 - 20 Cone Lock
6	181709	1/2 x 20 x 2 1/2 Hex Hd. Bolt
7	120390	9/16 Flat Washer
8	11074P1	Clutch Lever Bushing
9	11073P1	Fwd. - Rev. Shifter Link
10	103373	3/32 x 3/4 Cotter Pin
11	11718P1	3/8 x 1 1/4 Lg. Clevis Pin
12	11071P1	Fwd. - Rev. Clutch Link
13	11075P1	Clutch Link Bushing
14	11076P1	Clevis Pin 3/8 x 1 1/2 Lg.
15	11096P1	Control Cross Shaft Bracket
16	180077	5/16 - 18 x 3/4 Hex Hd. Bolt
17	120214	5/16 Lockwasher
18	120376	5/15 - 18 Hex Nut
19	11297P1	Shift Lever Knob
20	11775A1	Control Arm & Lever Assembly
21	120394	13/32 Flat Washer
22	103362	1/16 x 3/4 Cotter Pin
23	11090P1	2-Speed Shifter Rod
24	10670P1	Shift Lever Knob
25	14227A1	Control Arm Assembly
26	112726	1/16 x 1/2 Cotter Pin
27	446188	17/64 Flat Washer
28	138077	Clevis Pin
29	11276P1	Spring Link
30	12396P1	Spring
31	11093P1	Att. Throw-Out Link
32	11080P1	Hi-Lo Link
33	11094A1	Cross Shaft Weldment
34	120392	9/32 Flat Washer
35	11089P1	2-Speed Shifter Link
36	11081A1	2-Speed Shifter Weldment
37	120382	3/8 Lockwasher
38	180122	3/8 - 16 x 1 Hex Hd. Bolt
39	11088P1	2-Speed Extension Spring
40	11070P1	Fwd. - Rev. Clutch Rod
41	11161P1	Shifter Arm
42	11091P1	Attachment Throw-Out Link
43	15847A1	Hi-Lo Link Assembly

ENGINE AND TRANSMISSION



<u>ITEM NO.</u>	<u>PART NO.</u>	<u>DESCRIPTION</u>
1	120384	1/2 Lock Washer
2	11841P1	Retaining Ring
3	11293P1	Ball Bearing
4	14612P1	Advance Casting Cover Plate
5	11227P1	Needle Bearing
6	11983P1	Thrust Bearing
7	11872P1	P.T.O. Dog Clutch Shaft
8	11058P1	Rim Nut
9	11187P1	Stud
10	180175	1/2 - 13 x 1-1/4 Hex Hd. Bolt
11	12660P1	Attachment Dog
12	12601P1	Trunnion Block
13	11298P1	Pinion Shaft
14	180089	5/16 - 18 x 2 1/4 Hex Hd. Bolt
15	5056P1	Attachment Gasket
16	180735	5/16 - 18 x 3 1/4 Hex Hd. Bolt
17	15695A1	Advance Casting Assembly
18	14921A1	Thrust Bushing Assy.
19	12591P1	Chassis Front Gasket
20	18318P1	Gasket
21	12661P1	Shipper Shaft
22	10687P2	Shipper Shaft Guide
23	12408P1	Shifter Body
24	180079	5/16 - 18 x 1 Hex Hd. Bolt
25	12320P1	Shifter Body Dowel
26	9413447	5/16 - 18 Type N Locknut
27	120393	11/32 Flat Washer
28	11091P1	Attachment Throwout Shifter Arm
29	12322P1	Spacer
30	102591	3/8 - 16 x 1/4 Lg. Set Screw
31	12654P1	Reverse Gear Cone
32	12644A1	Clutch Cup Assembly
33	12632P1	Internal Gear
34	12636P1	Gear Cup
35	13456P1	Roller Pin
36	12677P1	Clutch Slide Rod L.H.
37	12678P1	Clutch Slide Rod R.H.
38	14922A1	Fwd. - Rev. Planetary Assy.
39	12643P1	Spacer Bolt (R.H.)
40	13415P1	1" Pipe Nipple
41	12655P1	Front Pin Spacer
42	12656P1	Reverse Idler
43	12657P1	Reverse Idler Bushing
44	12658P1	Reverse Idler Bolt
45	12640P1	Orbit Gear Pin
46	12639P1	Orbit Gear
47	12662P1	Pinion Shaft Bearing
48	14923A1	Quill Bushing Assembly
49	180018	1/4 - 20 x 5/8 Hex Hd. Bolt
50	12637P1	Sun Pinion

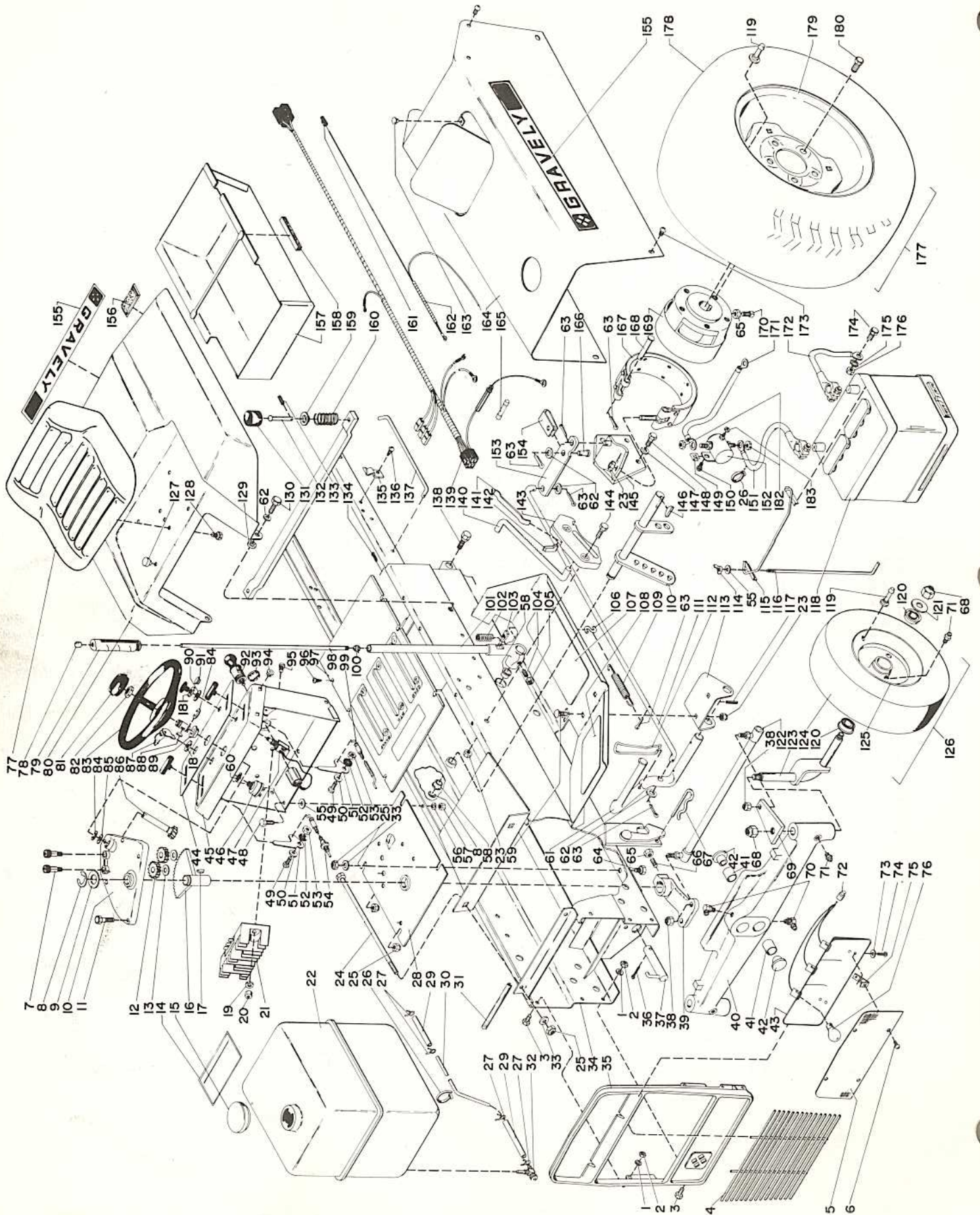
<u>ITEM NO.</u>	<u>PART NO.</u>	<u>DESCRIPTION</u>
51	12633P2	Front Pin Plate
52	120375	1/4 - 20 Hex Nut
53	12663P1	Pin Plate Spacer Spring
54	120380	1/4 Spring Type Lock Washer
55	12648P1	Adjusting Nut Lock
56	12635P1	Bearing Adjustment Nut
57	12333P1	Roller Bearing Cup
58	12332P1	Roller Bearing Cone
59	12647P1	Worm Shaft
60	12668P1	Worm Key
61	12495P1	Worm 6 Lead
62	10389P1	Roller Bearing Cone
63	10390P1	Roller Bearing Cup
64	11188P1	Chassis
65	8227P1	Muffler
66	12645P1	Rear Thrust Plate
67	11168A1	Ring Gear and Bushing Assembly
68	11169P1	Ring Gear Bushing
69	12615A1	Hi-Lo Planetary Assembly
70	11342P1	5/16 - 18 Lock Nut L.H. Thd.
71	11173A1	Planet Gear Carrier Assembly
72	180151	7/16 - 14 x 1 3/4 Hex Hd. Bolt
73	11175A1	Orbit Gear Assembly
74	11177P1	Orbit Gear Bushing
75	11174P1	Orbit Gear Pin
76	11178P1	Pin Spacer
77	11179A1	Orbit Gear Assembly
78	11181P1	Orbit Gear Pin
79	11185P1	Clutch Slide Rod R.H.
80	11184P1	Clutch Slide Rod L.H.
81	11182P1	Rear Ring Gear
82	11183P1	Rear Spacer
83	10635P1	Gasket
84	11070P1	Fwd. - Rev. Clutch Rod
85	120238	1/2 - 13 Hex Jam Nut
86	11069P1	Retaining Ring
87	11067P1	Clutch Spring Tube
88	11065P1	Clutch Spring (Fwd. - Rev.)
89	11060P1	Fwd. - Rev. Clutch Lever
90	11064P1	Clutch Rod Pivot
91	180016	1/4 - 20 1/2 Hex Hd. Cap Screw
92	12694P1	Washer
93	131017	13/16 Flatwasher
94	10663P1	"O" Ring
95	10618P1	Bushing
96	124549	#9 Woodruff Key
97	11146P1	Clutch Actuating Shaft, Left
98	10617P1	Oil Filler Plug
99	11147P1	Clutch Actuating Shaft, Right
100*	12061P1	Rear Light Lens

*430 Tractor Standard, 424 Tractor Optional

<u>ITEM NO.</u>	<u>PART NO.</u>	<u>DESCRIPTION</u>
101	131100	7/16 Lock Washer
102	11063P1	Needle Bearing
103	15847A1	Hi-Lo Link Assembly
104	103373	3/32 x 3/4 Cotter Pin
105	11718P1	Clevis Pin
106	11079P1	Hi-Lo Clutch Rod
107	11066P1	Clutch Spring (Hi-Lo)
108	11061P1	Hi-Lo Clutch Lever
109	11068P1	Clutch Spring Tube (Hi-Lo)
110	10622P1	Dip Stick Assy.
111	10586P1	Dip Stick Guide
112	15313P1	12 HP Engine Single Cyl-Onan (430)
	15312P1	10 HP Engine Single Cyl-Onan (424)
113	17838P1	Transmission Drive Gear
114	124546	#6 Woodruff Key
115	131000	13/16 I.D. x 2" O.D. Flatwasher
116	15841P1	Bar
117	131046	3/4 Lockwasher
118	271769	3/4 - 10 x 1 3/4 Hex Head Bolt
119	131101	1/2 Spring Washer
120	126485	1/2 - 13 x 1 1/4 Bolt
121	10862P2	Air Cleaner Instruction Decal
122	190254	10 - 24 Washer Insert L-Nut
123	13502P1	Connector
124	18260P1	Clamp Tube
125	18522P1	Bracket
126	120375	1/4 - 20 Hex Nut
127	159947	10 - 24 x 3/4 Pan Hd. Cross Recess Mach. Screw
128 *	11338A1	Rear Light
129 *	12683P1	Lamp Holder
130 *	14682P1	Lamp
131 *	161860	#8 Machine Screw
132	15848A1	Hi-Lo Lever Assembly
133	15846A1	Fwd. - Rev. Clutch Lever Assembly

*430 Tractor Standard, 424 Tractor Optional

FRAME ASSEMBLY



<u>ITEM NO.</u>	<u>PART NO.</u>	<u>DESCRIPTION</u>
51	11773A1	Knob & Lever Assembly
52	11772P1	Friction Washer
53	9411621	1/4 - 28 Plug Insert Hex Lock Nut
54	15856P1	Conduit Assembly
55	120392	9/32 x 5/8 x .065 Flatwasher
56	120380	1/4 Lock Washer
57	120375	1/4 - 20 Hex Nut
58	11111P1	Pivot Bushing
59	126227	3/8 - 16 Rd. Hd. Sq. Neck Bolt
60	18586P1	5/8 - 10 Special Lock Washer
61	11008P1	Brake Pedal Left Hand
NS	11009P1	Brake Pedal Right Hand
62	120394	13/32 x 13/16 x .065 Washer
63	177923	Cotter Pin 1/8 x 3/4
64	180075	5/16 - 18 x 5/8 Hex Hd. Bolt
65	124829	3/8 - 16 Hex Jam Nut
66	102896	Sq. Hd. Set Screw
67	10405P1	Hair Pin Cotter
68	9419482	5/8 - 11 Washer Insert Nut
69	18461P1	Tie Rod Arm
70	9411931	Lube Fitting 1/4 - 28
71	9411027	Lube Fitting 1/4 - 28
72	11763P1	Wire Nut
73	120385	1/4 x 9/16 x .049 Washer
74	159947	10 - 24 x 3/4 Pan Hd. Screw
75	11030P1	Front Panel Mounting Clip
76*	454646	Lamp No. 1073
77	18179P1	Seat
78	11120P1	Push Rod Tip
79	11119P1	Flex Grip
80	10970A1	Rear Fender
81	14917P1	Cap
82	219758	3/4 - 16 Hex Jam Nut
83	14916P1	Steering Wheel
84	11270P1	E-Ring
85	15829P1	Spacer
86	14892A1	Column
87	18570P1	Key Indak
88	431787	61 Woodruff Key
89	10174P2	Bushing
90*	120388	7/16 x 1 x .083 Washer
91	15906P1	Plug
92	11332A1	Cigar Lighter
93	11034P1	Plug
94	11777P1	Plastic Grommet
95	160541	1/4 - 20 x 3/4 Pan Hd. Cross Recess Mach. Screw
96	167257	1/4 - 20 x 1/2 Corss Recess Tapping Screw
97	13558P1	Control Cover Plate
98	11118P1	Lever Push Rod
99	11771P1	Conduit Assembly
100	11117P1	Push Rod Guide

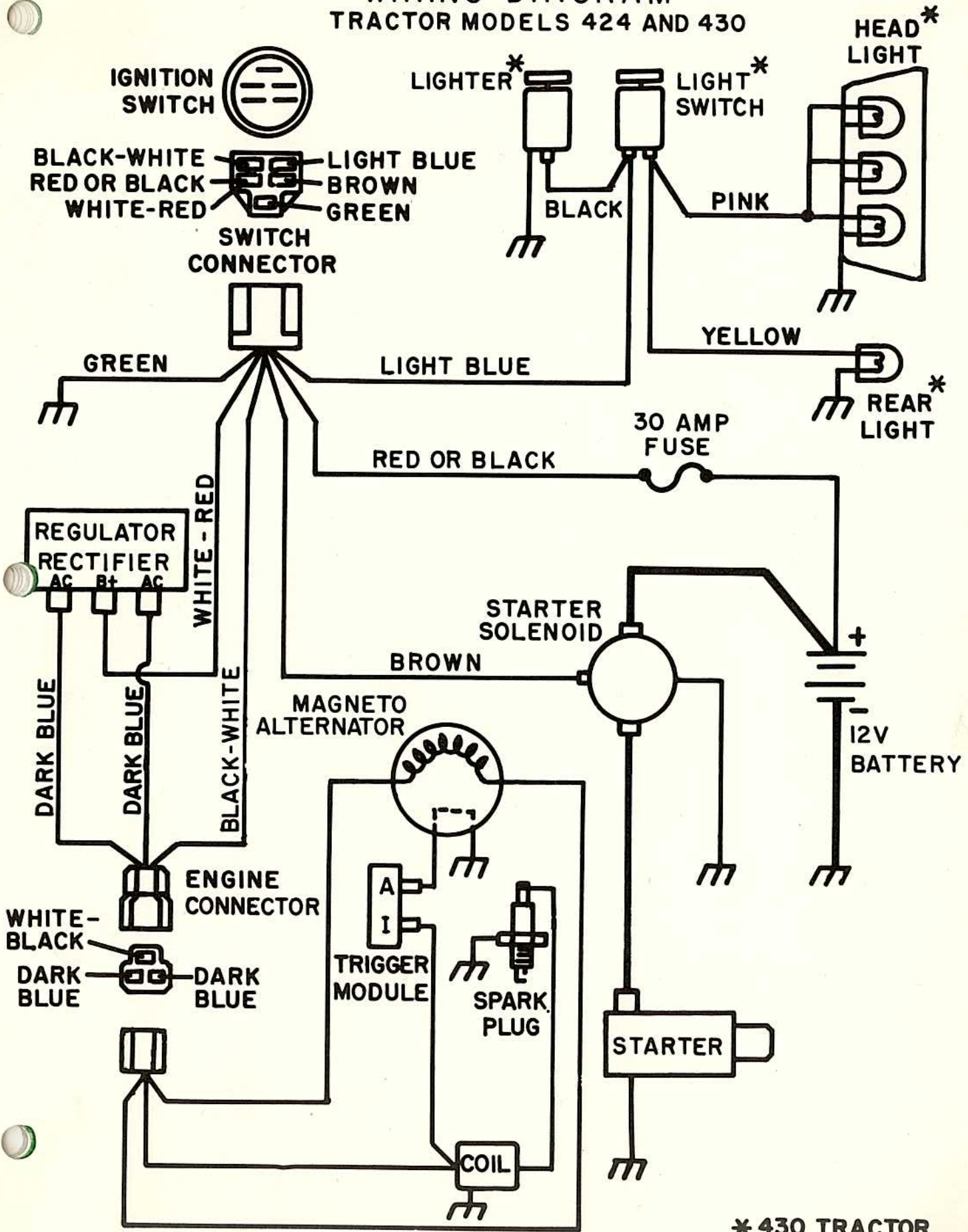
*430 Tractor Standard, 424 Tractor Optional

<u>ITEM NO.</u>	<u>PART NO.</u>	<u>DESCRIPTION</u>
101	11113A1	Lift Lever Assembly
102	10682P1	Spring
103	11116P1	Lever Pawl
104	102896	3/8 - 16 Set Screw
105	124829	3/8 - 16 Hex Jam Nut
106	11329P1	Spring Clip
107	11653P1	Foot Board Cover
108	11654P1	Foot Board Cover
109	11263P1	Spring
110	11107A1	Lift Lever Shaft Weldment
111	11020P2	Brake Rod
112	11022P1	Brake Stop
113	11021P1	Brake Pedal Bracket
114	10413P1	Washer Insert Wing Nut 1/4 - 20
115	11027P1	Battery Hold Down Bracket
116	12386P1	Battery Hook
117	454668	3/16 x 1-1/4 Roll Pin
118	7274P1	12V Battery
119	11191P1	Valve Stem Assembly
120	11193P1	Ball Bearing
121	131016	21/32 x 1-5/16 x .095 Washer
122	11130P1	Tie Rod Assembly
123	18463A1	King Pin Weldment
124	11190P1	Front Tire (16 x 5.50-5)
125	11192P1	Front Wheel Rim
126	11189A1	Front Wheel Assembly
127	11352P1	Stem Bumper
128	180173	1/2 - 13 x 1 Hex Hd. Cap Screw
129	11138P1	Rear Fender Bushing
130	181637	3/8 - 24 x 7/8 Cap Screw
131	11768P1	Rubber Tip
132	11308P1	Spring Mounting Pin
133	455532	1/8 - 1/2 Roll Pin
134	103373	Cotter Pin 3/32 x 3/4
135	11343P1	Fender Rod Clip
136	163098	#6 x 3/8 Self Tapping Screw
137	11143P1	Rear Fender Support
138	11059P1	Rim Bolt 1/2 - 20
139	18313P1	Wiring Harness
140	11104P1	Lever Stop Rod
141	11105P1	Stop Spring
142	11106P1	Lever Stop
143	11103P1	Locator Casting
144	180124	3/8 - 16 x 1-1/4 Hex Hd. Bolt
145	18101A1	Left Brake Support w/Pin
NS	18100A1	Right Brake Support w/Pin
146	187184	Woodruff Key 1/4 x 2-1/8
147	120382	3/8 x .170 x .123 Thk Sp. Lock Washer
148	180122	3/8 - 16 x 1 Hex Hd. Bolt
149	11676P1	Speed Nut
150	160515	1/4 - 20 Pan Hd. Mach. Screw

<u>ITEM NO.</u>	<u>PART NO.</u>	<u>DESCRIPTION</u>
151	12375P1	Battery Magnetic Switch Cable
152	7277P1	Magnetic Switch
153	11012P1	Brake Lever
154	11014P1	Brake Clip
155	11905P1	Commercial 430 Decal
NS	11236P1	424 Decal
156	17837P1	Reflector Red Safety
157*	15870A1	Tool Box Assembly
158*	11875P1	Pad
159	5741P1	Valve Spring Cap
160	11307P1	Rear Fender Spring
161	6913P1	Sta-Kon Terminal
162*	11350P1	Wiring Harness (Light Kit)
163	18197P1	Plug Bumper
164	15707A1	Hood Assembly
165	14893P1	30 Amp Fuse
166	11011P1	Lever Pin
167	11023A1	Brake Band Assembly
168	7072P1	Clevis Pin
169	11167P1	Wheel Hub
170	11896P1	Special Set Screw
171	15857A1	Cable
172	6980P1	Ground Cable
173	160515	1/4 - 20 x 1/2 Pan Hd. Screw
174	180120	3/8 - 16 x 3/4 Hex Hd. Bolt
175	138489	3/8 External Tooth Washer
176	120377	3/8 - 16 Hex Nut
177	11705A1	Rear Wheel Assembly
178	11194P1	Rear Tire (23 x 850-12)
179	11195P1	Rim Weldment
180	12744P1	Hub Bolts
181	18587P1	Nut Special
182	426913	5/16 - 24 Hex Nut
183	453996	8/32 Hex Nut
NS	180082	5/16 - 18 x 1-3/8 Hex Hd. Bolt
NS	124829	3/8 - 16 Hex Jam Nut

*430 Tractor Standard, 424 Tractor Optional

WIRING DIAGRAM TRACTOR MODELS 424 AND 430



* 430 TRACTOR

For Models 15925E1 and 18064E1
Form Number 18584P1 March 1971

Printed in United States of America