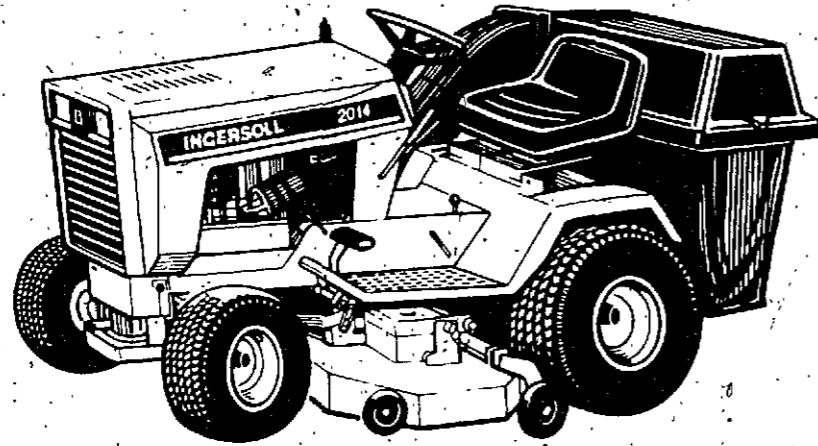


RM42Y2, RM44YR2 MOWERS  
SB38Y2 SNOWCASTER  
UB38Y2 UTILITY BLADE  
BG42Y2 BAGGER  
Parts Catalog 8-3280

8-92-RP-500-137



2014 Tractor with RM42Y2 Mower and BG42Y2 Bagger

**ATTACHMENT APPLICATION CHART**

TRACTOR MODEL

2012, 2014

ATTACHMENT MODEL

RM42Y2, RM44YR2

SB38Y2, UB38Y2

BG42Y2\*

\*use with RM42Y2 mower

**INGERSOLL**  
Ingersoll Equipment Co., Inc.

**GENERAL INFORMATION**

**INDEX**

There is an index at the front and rear of this catalog.

The front index is an alphabetical index of the major groups or assemblies.

The rear index is a numerical index of the part numbers and pages on which these numbers are shown.

**ILLUSTRATIONS**

Each illustration in this catalog shows a group of parts or components. These parts and components are aligned approximately as the parts and components on your machine. Each part and component in an illustration has a reference number. These reference numbers are in a list on the page opposite of the illustration. Next to the reference number is the part number, description and required quantity of the part shown in the illustration.

UAR - "Use as required" indicates that the part quantity is variable.

NSS - "Not sold separately" indicates that the part is only available as a component of an assembly or the part must be purchased locally. If the part is an assembly component, the description will be indented under the assembly description in the parts list.

O/L - "Obtain locally"

\*\* - "Footnotes" are added to a part number when more information is needed for identification. They only relate to the part numbers indicated.

**PARTS ORDERS**

All orders must include the following information:

1. Correct part number.
2. Complete description of part or component.
3. Total quantity of each part or component.
4. Product model number.
5. All necessary product identification numbers.
6. Method for sending the parts.
7. Complete and correct address.

**CATALOG REVISIONS**

As the product changes, new pages will be available for your catalog. A notice will be issued.

**IMPORTANT:** Put all revisions into the catalog as soon as possible.

**RIGHT HAND AND LEFT HAND IDENTIFICATION**

The words right hand (RH) and left hand (LH) as used in this catalog indicate the direction while you are in the operator's seat in the normal operating position.

**INDENTED DESCRIPTIONS**

An assembly can have many components. The components of an assembly are indicated by an indented description. The quantity for an indented part is the total needed for that complete assembly. See the example.

REF.	PART NO.	DESCRIPTION	REQ'D
	C 55159	CYLINDER ASSY - rear steering	1
28	C 56208	SOCKET ASSY - rear cylinder	1
29	C 55956	PLUG - adjusting, socket assy	1
30	C 55957	SEAT - socket ball	2
31	C 56210	SPRING - socket	1
32	C 56209	SEAT - socket spring	1
33	G 45175	CLAMP ASSY - socket assy	1
	16- 836	BOLT - 1/2" x 2-1/4" N.F. hex	1
34	132- 104	PIN - cotter, 3/16" x 3"	1
35	C 55889	STUD - ball, socket & cylinder	2
36	13- 410	BOLT - 1/4" x 5/8" N.C., hex	4
37	92- 4	LOCK WASHER - 1/4" SAE	4

**TABLE OF CONTENTS**

**RM42Y2 ROTARY MOWER**

	Page	Grid
Deck and Chute	5	A6
Spindles, Belts and Pulleys	7	A8
Mounting Brackets and Axle	9	A10
Decals	23	B10

**RM44YR2 ROTARY MOWER**

Deck, Belts and Backside Idler Pulley	11	A12
Spindles and Blades	13	A14
Axle and Mounting Brackets	13	A14
Decals	23	B10

**SB38Y2 SNOWBLOWER**

Auger and Chute Assembly	15	B2
Mounting Components and Drive Assembly	17	B4
Decals	23	B10

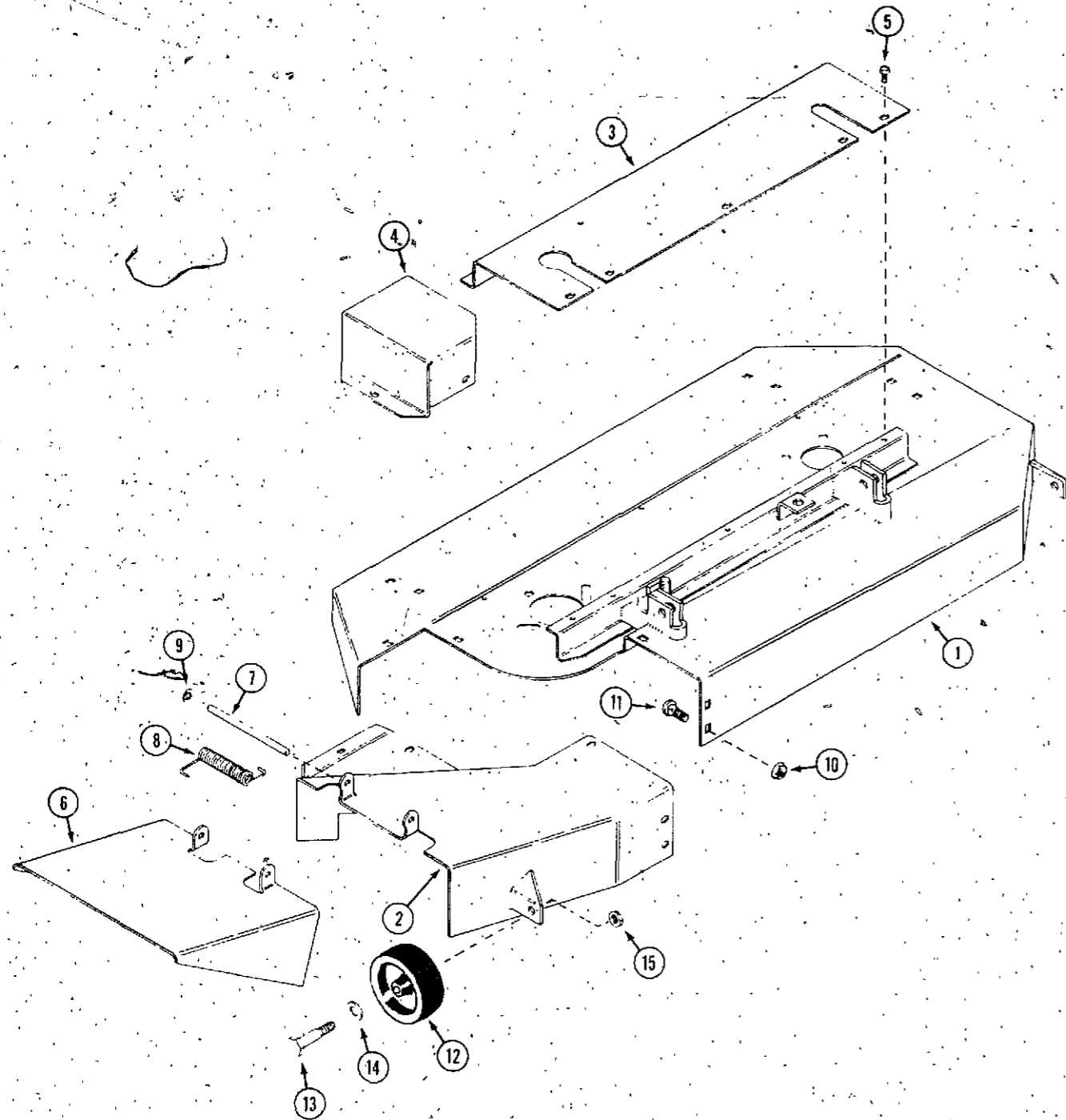
**UB38Y2 UTILITY BLADE**

Entire Parts List	19	B6
Decals	23	B10

**BG42Y2 BAGGER**

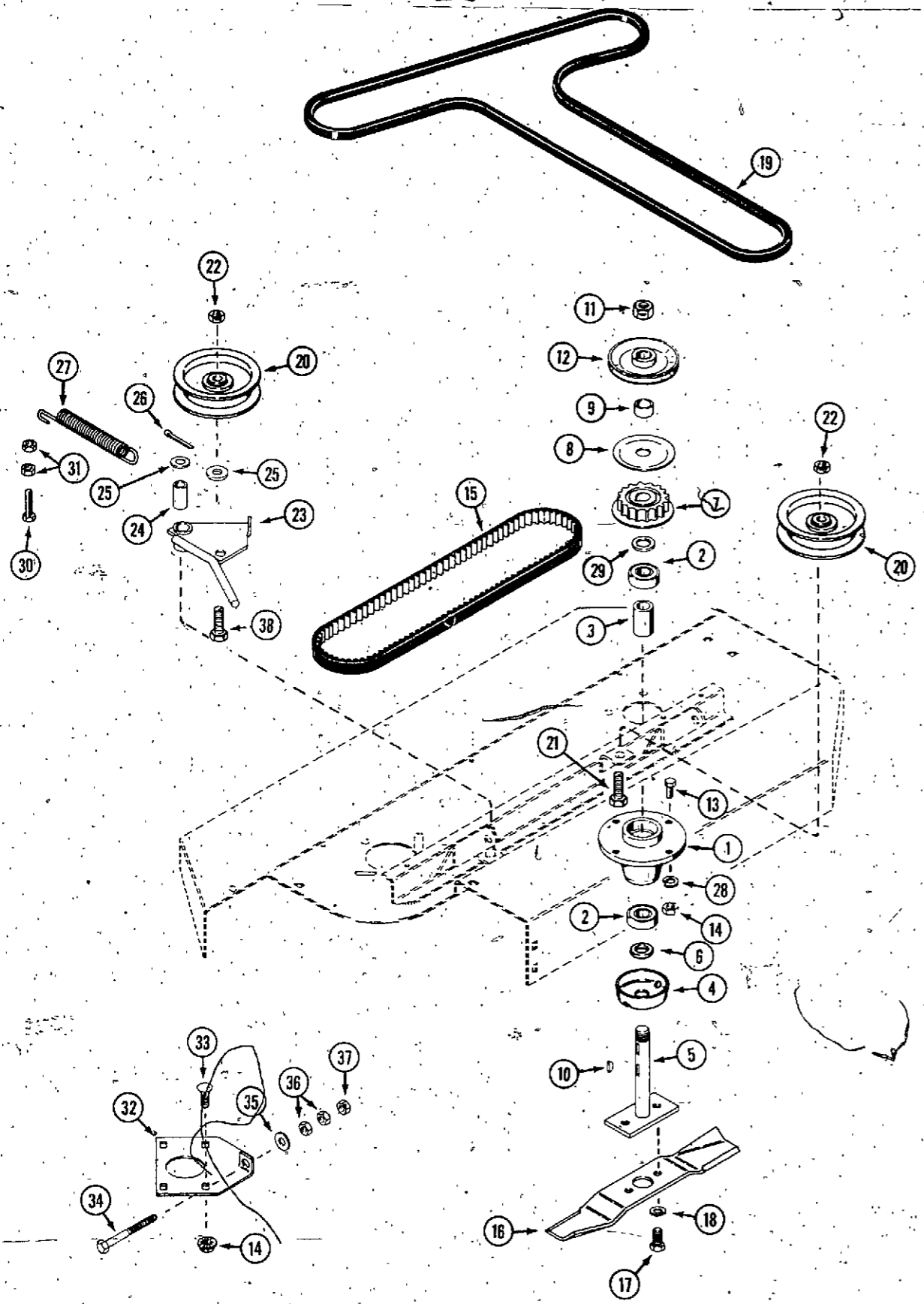
Entire Parts List	21	B8
Decals	23	B10

DECK AND CHUTE



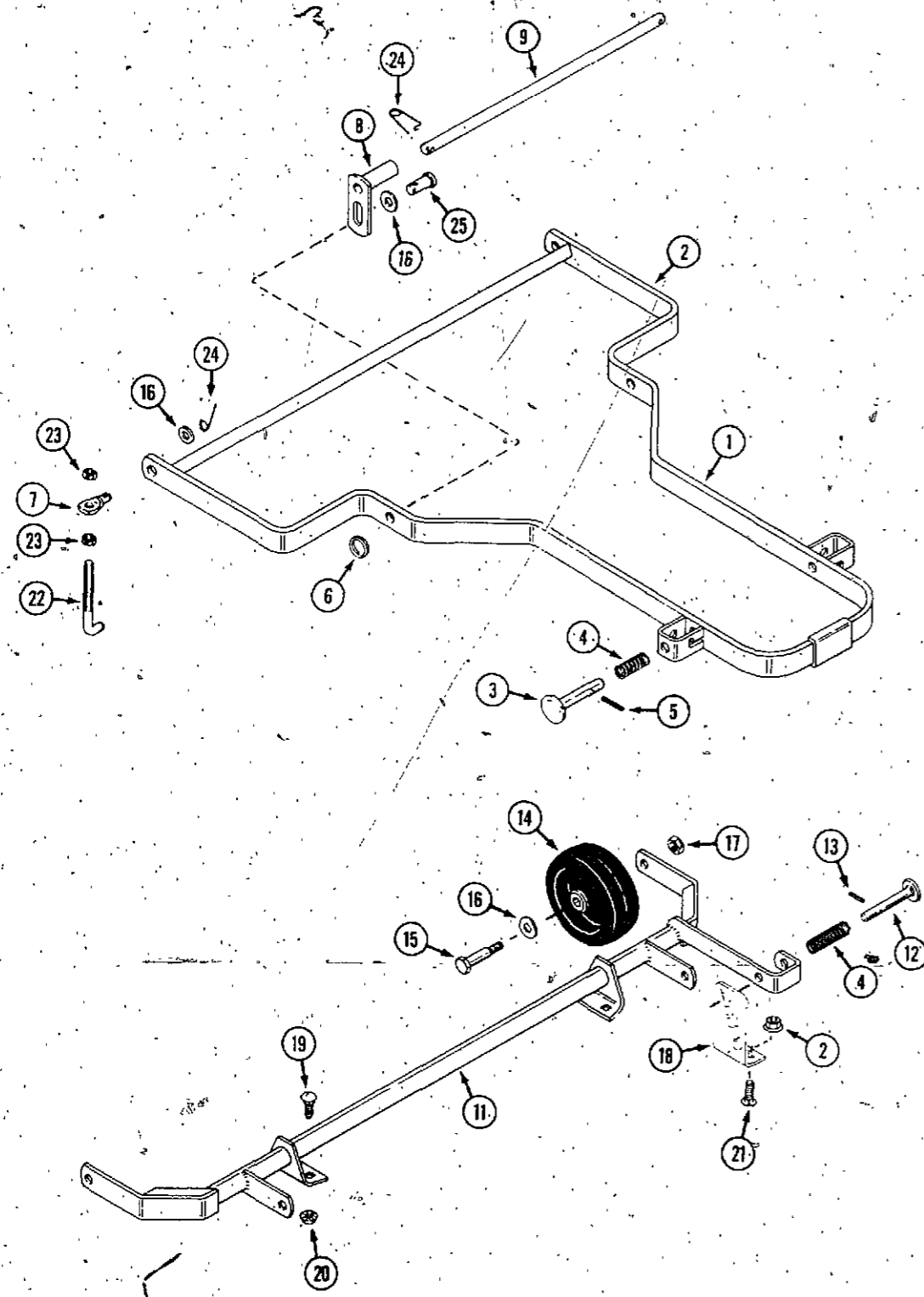
REF.	PART NO.	DESCRIPTION	REQ'D
1	C 36805	DECK - mower	1
2	C 36802	CHUTE - mower	1
3	C 30738	COVER - belt	1
4	C 30741	COVER - end, belt R.H.	1
4	C 36856	COVER - end, belt L.H.	1
5	187-1036	SCREW - 1/4" x 1/2" self-tap	12
6	C 30744	DEFLECTOR - chute	1
7	C 30766	PIN - hinge	1
8	C 30767	SPRING - hinge	1
9	C 30768	NUT - push	2
10	111-217	BOLT - 5/16" x 5/8" carriage	6
11	131-911	NUT - 5/16" flange lock	6
12	C 33709	WHEEL - anti-scalp	2
13	C 16745	BOLT - shoulder	2
14	195-533	WASHER - 1/2"	2
15	131-938	NUT - flange lock	2

SPINDLES, BELTS AND PULLEYS



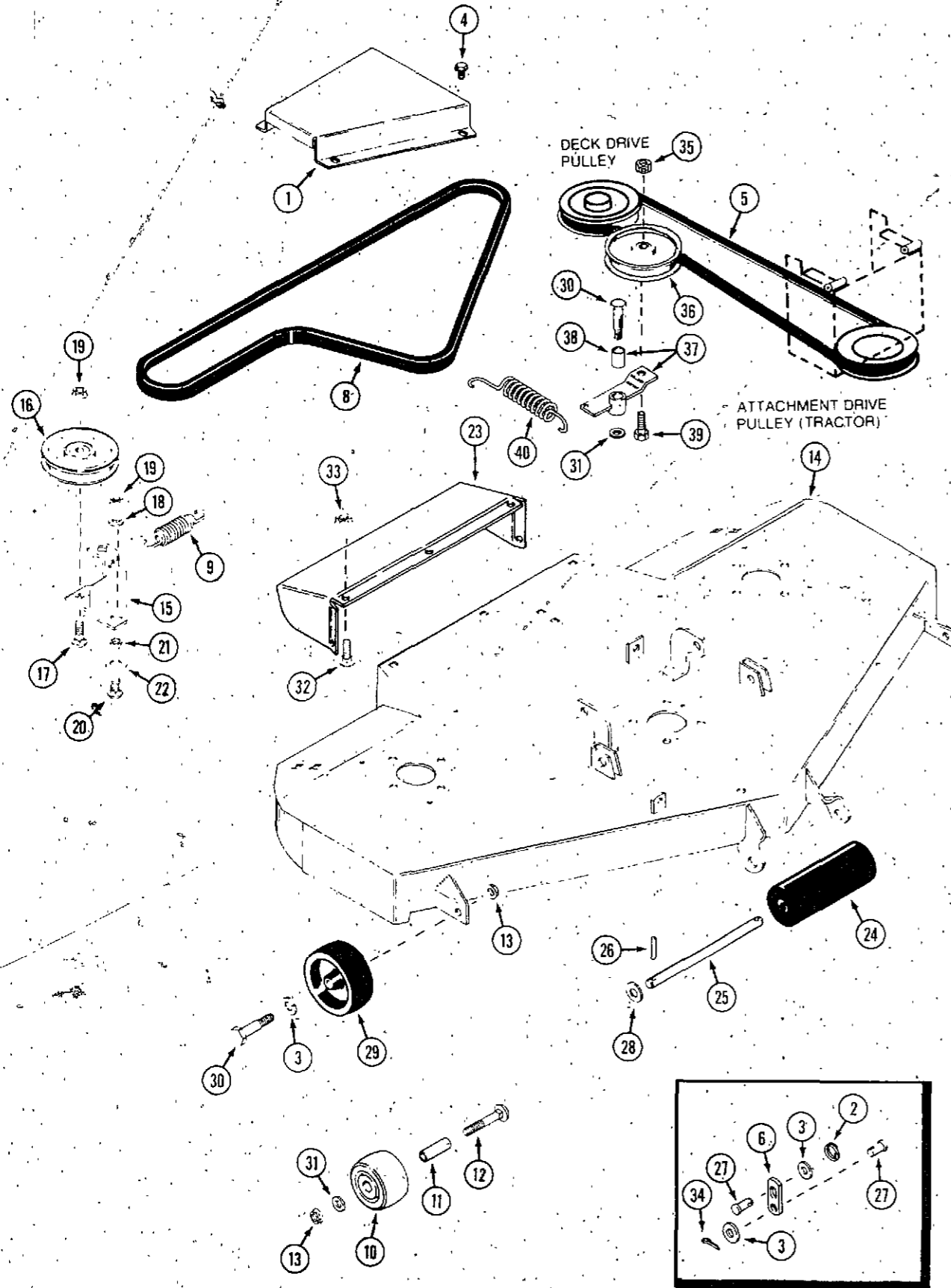
REF.	PART NO.	DESCRIPTION	REQ'D
1	C 30729	HOUSING - spindle	2
2	C 28971	BEARING - spindle	4
3	C 29453	SPACER - bearing	2
4	C 25543	SHIELD - bearing	2
5	C 32421	SPINDLE - mower	2
6	C 25541	SPACER - shield	2
7	C 37196	SPROCKET - timing	2
8	C 30733	RETAINER - belt, timing	2
9	C 30734	SPACER - pulley and sprocket	2
10	126- 13	KEY - woodruff No. 11	4
11	131- 1331	NUT - 3/4" (use 60 ft. lb of torque)	2
12	C 23452	PULLEY - drive	2
13	113- 208	BOLT - 3/8" - 16 x 1-1/4"	4
14	129- 103	NUT - 3/8"	8
15	C 30736	BELT - timing	1
16	C 33275	BLADE - 21-3/8"	2
17	113- 206	BOLT - 3/8" x 3/4"	4
18	192- 21	LOCKWASHER - 3/8"	4
19	C 31216	BELT - drive	1
20	C 26090	PULLEY - hackside idler	2
21	113- 410	BOLT - 1/2" - 13 x 1-1/2"	1
22	131- 1182	NUT - 1/2" lock	2
23	C 37121	ARM - idler (includes bushing)	1
24	C 16714	BUSHING	1
25	195- 533	WASHER - 1/2"	2
26	132- 310	PIN - cotter 1/8" x 1"	1
27	C 36998	SPRING - tension	1
28	192- 21	LOCKWASHER - 3/8"	8
29	C 28972	WASHER	2
30	113- 207	BOLT - 3/8" - 16 x 1"	1
31	131- 1352	NUT - 3/8" - 16 flange lock	2
32	C 30735	PLATE - belt adjusting	1
33	111- 366	BOLT - 3/8" - 16 x 1-1/4" carriage	4
34	123- 101	BOLT - 5/16" - 18 x 4"	1
35	195- 520	WASHER - .312 I.D. x .88 O.D.	1
36	129- 102	NUT - 5/16"	2
37	131- 911	NUT - 5/16" lock	1
38	113- 421	BOLT - 1/2" - 13 x 2"	1

MOUNTING BRACKETS AND AXLE

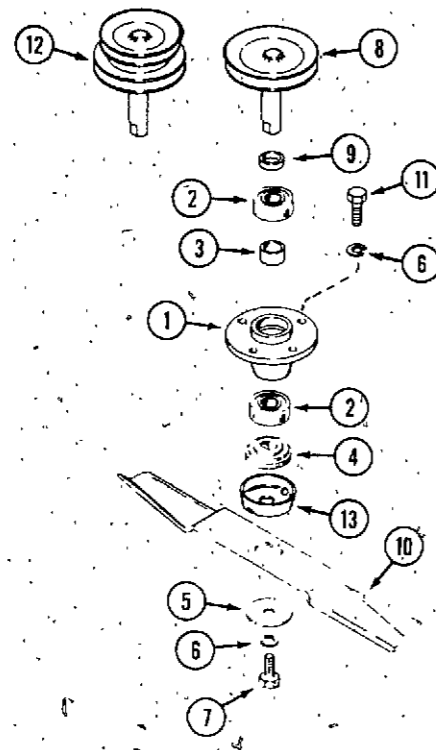


REF.	PART NO.	DESCRIPTION	REQ'D
1	C 30750	BRACKET - tow	1
2	131- 911	NUT - 5/16" - 18 flange lock	2
3	C 15278	PIN - latch	2
4	C 10482	SPRING - compression	3
5	138- 2073	PIN - spiral 3/16" x 1-1/4"	2
6	C 28105	RING - retaining	2
7	C 26033	LINK - adjusting	2
8	C 42342	LINK - lift L.H.	1
8	C 42339	LINK - lift R.H.	1
9	C 41082	ROD - lift	1
10	132- 310	PIN - cotter 1/8" x 1"	4
11	C 36817	AXLE - rear	1
12	C 20005	PIN - height adjust	1
13	138- 96	PIN - roll 3/16" x 1"	1
14	C 26736	WHEEL - gauge	2
15	C 16745	BOLT - shoulder	2
16	195- 533	WASHER - 1/2"	8
17	131- 938	NUT - 3/8" - flange lock	2
18	C 36823	BRACKET - height adjust	2
19	111- 340	BOLT - 3/8" - 16 x 3/4" carriage	4
20	131- 938	NUT - 3/8" flange lock	4
21	111- 132	BOLT - 5/16" - 18 x 3/4" carriage	2
22	C 36838	BOLT - "J"	2
23	131- 930	NUT - 1/2" lock	4
24	C 10898	PIN - safety	4
25	C 41089	PIN - clevis	2

DECK, BELTS AND BACKSIDE IDLER PULLEY



REF.	PART NO.	DESCRIPTION	REQ'D
1	C 34718	COVER - deck belt L.H.	1
1	C 34719	COVER - deck belt R.H. (shown)	1
2	C 28105	RING - retaining	4
3	195- 533	WASHER - 1/2"	4
4	187- 1036	SCREW - 1/4" x 1/2" self-tapping	8
5	C 42410	BELT - drive 52"	1
6	C 27096	LINK - lift (use on 100 series tractors)	2
6	C 42408	LINK - lift (use on 2000 series tractors)	2
8	C 23949	BELT - mower deck	1
9	C 31606	SPRING - tension	1
10	C 31500	ROLLER - anti-scalp, rear	2
11	C 31501	SPACER - sleeve	2
12	111- 375	BOLT - 3/8" - 16 x 3" carriage	1
13	131- 938	NUT - 3/8" - 16 flange lock	3
14	C 42394	DECK - mower	1
15	C 31608	PLATE - idler	1
16	C 12251	PULLEY - backside idler	1
17	111- 366	BOLT - 3/8" - 16 x 1-1/4" carriage	1
18	195- 525	WASHER - 3/8"	1
19	131- 1352	NUT - 3/8" - 16 flange lock	3
20	111- 371	BOLT - 3/8" 16 x 1" carriage	1
21	C 14768	SPACER - sleeve	1
22	195- 105	WASHER - 1/2"	1
23	C 42409	DEFLECTOR - chute	1
24	C 28977	ROLLER - 7", front	1
25	C 26405	SHAFT - roller	1
26	138- 106	PIN - roll 3/16" x 2-1/2"	1
27	C 10821	PIN - clevis 1/2" x 1"	4
28	195- 541	WASHER - 5/8"	1
29	C 33709	WHEEL - anti-scalp, front	2
30	C 16745	BOLT - shoulder	3
31	C 30649	WASHER - spacer	2
32	111- 101	BOLT - 1/4" - 20 x 5/8" carriage	5
33	131- 934	NUT - 1/4" - 20 flange	5
34	132- 310	PIN - cotter	2
35	131- 1182	NUT - 1/2" lock	1
36	C 26090	PULLEY - idler, drive belt	1
37	C 27109	IDLER ARM ASSEMBLY	1
38	C 16714	BUSHING - sleeve	1
39	113- 410	BOLT - 1/2" - 13 x 1-1/2"	1
40	C 36998	SPRING - idler, drive belt	1

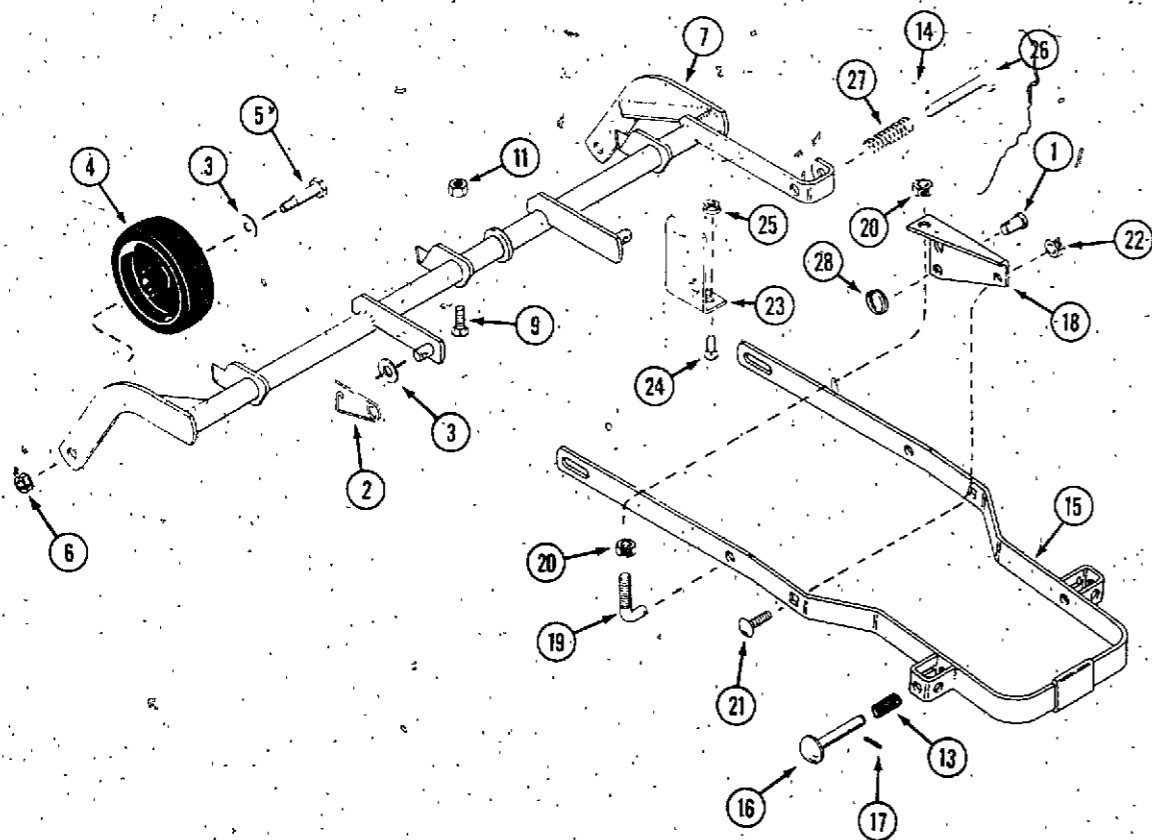


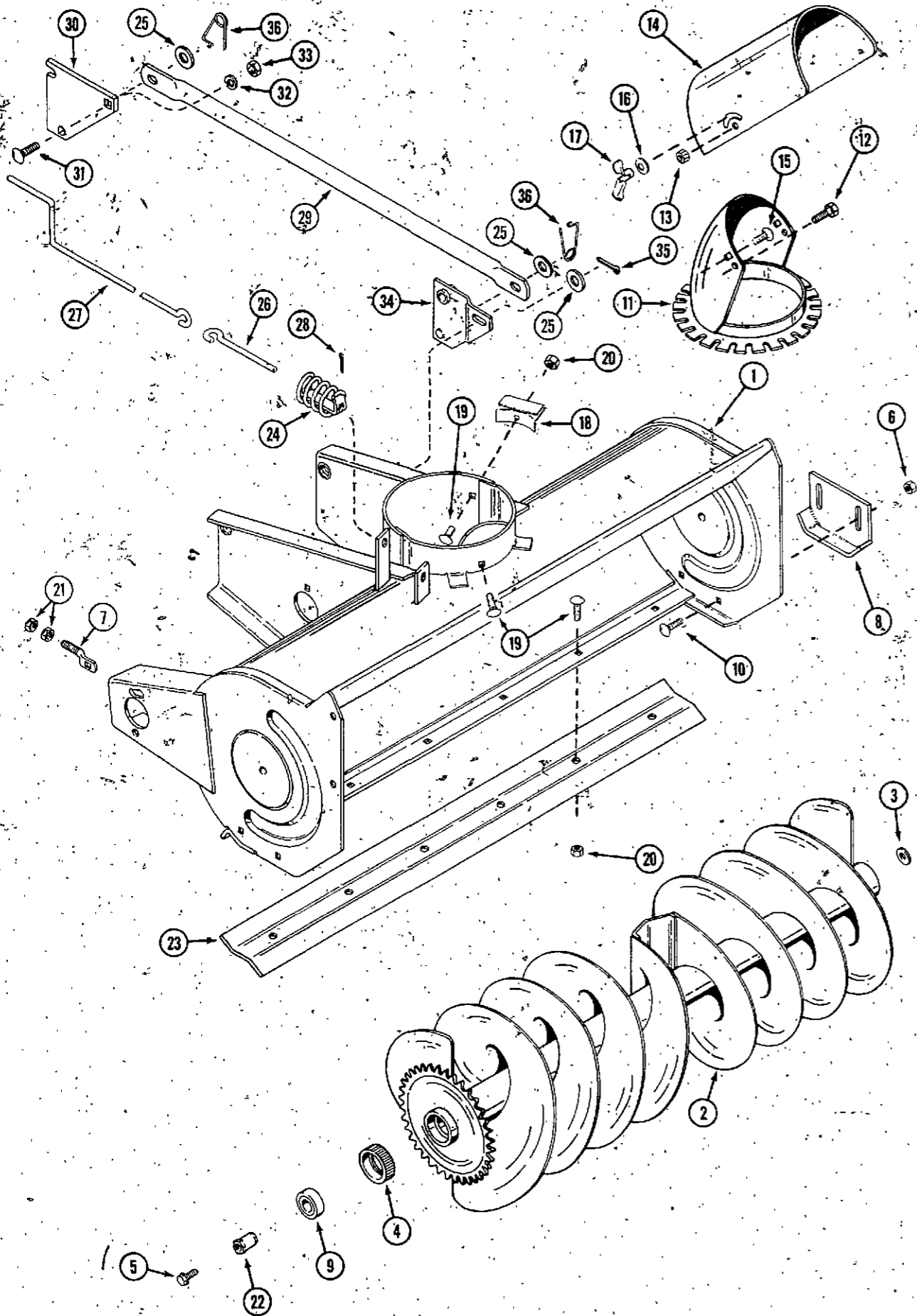
**SPINDLES AND BLADES**

REF.	PART NO.	DESCRIPTION	REQ'D.
1	NSS	HOUSING - spindle (use C17666 and (2) C16516)	3
2	C 28971	BEARING - spindle	6
3	C 10810	SPACER - bearing	3
4	C 25542	ADAPTER - blade	3
5	C 31452	WASHER - 3/8" x 2"	3
6	192- 21	LOCK WASHER - 3/8"	15
7	113- 209	BOLT - 3/8" - 16 x 1-1/2" (use 35 ft lb. or torque)	3
8	C 31586	SPINDLE - outboard	2
9	C 29431	SPACER - spindle	3
10	C 31571	BLADE - 15-1/2"	3
11	113- 206	BOLT - 3/8" - 16 x 3/4" (use 15 ft lb. of torque)	12
12	C 36868	SPINDLE - center	1
13	C 25544	SHIELD - bearing	3

**AXLE AND MOUNTING BRACKETS**

REF.	PART NO.	DESCRIPTION	REQ'D.
1	C 10821	PIN - clevis	2
2	C 10898	PIN - safety	4
3	195- 533	WASHER - 1/2"	4
4	C 31498	WHEEL - gauge	2
5	C 31499	BOLT - shoulder	2
6	131- 930	NUT - 3/8" - flange lock	2
7	C 42402	AXLE - rear	1
8	C 14932	BRACKET - axle mounting	1
9	111- 340	BOLT - 3/8" - 16 x 3/4" carriage (shown)	4
9	121- 228	BOLT - 3/8" - 16 x 3/4" flange lock (center support)	2
10	192- 19	LOCK WASHER - 1/4"	2
11	131- 938	NUT - 3/8" - 16 flange lock	6
12	C 20005	PIN - retaining	1
13	C 10482	SPRING	2
14	138- 96	PIN - roll 3/16" x 1"	1
15	C 42404	FRAME - mounting	1
16	C 15278	PIN - retaining	2
17	138- 99	PIN - roll 3/16" x 1"	2
18	C 27118	BRACKET - suspension adjust R.H. (shown)	1
18	C 27119	BRACKET - suspension adjust L.H.	1
19	C 19088	BOLT - "J" suspension adjust	2
20	131- 1182	NUT - 1/2" - 13 lock	4
21	111- 517	BOLT - 1/2" - 13 x 1" carriage	2
22	131- 1308	NUT - 1/2" - 13 lock	2
23	C 34734	BRACKET - height adjust	1
24	111- 132	BOLT - 5/16" - 18 x 3/4"	2
25	131- 911	NUT - 5/16" - 18 flange	2
26	C 20005	PIN - locking	1
27	C 10482	SPRING - compression	1
28	C 28105	RING - retaining	2



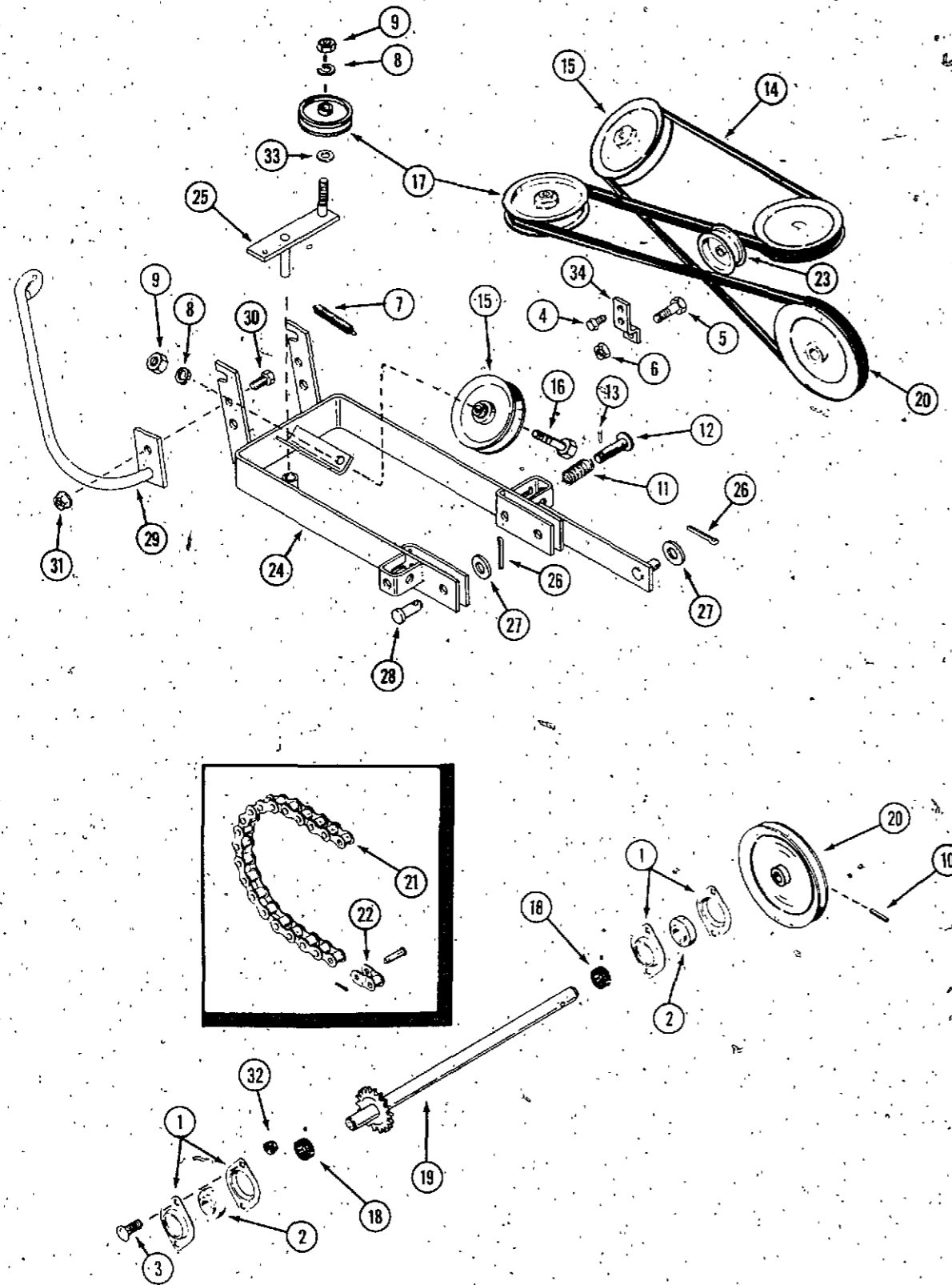


**AUGER AND CHUTE ASSEMBLY**

REF.	PART NO.	DESCRIPTION	REQ'D
1	C 29875	HOUSING - auger 38" (965 mm)	1
2	C 25206	AUGER - includes items 4, 9 and 22	1
3	195- 522	WASHER - spacer	UAR
4	C 25840	SLEEVE - bearing	2
5	121- 226	BOLT - 3/8" x 1" flange lock NC (use lock tite for installation)	2
6	131- 938	NUT - 3/8" NC hex	4
7	C 29877	SCREW - chain adjust	1
8	C 17775	SKID - shoe	2
9	C 28971	BEARING - auger	1
10	111- 340	BOLT - 3/8" NC x 3/4" carriage	4
11	C 15248	CHUTE - discharge	1
12	113- 1	BOLT - 1/4" NC x 1/2" hex	2
13	131- 1102	NUT - 1/4" NC hex lock	2
14	C 16940	DEFLECTOR	1
15	111- 340	BOLT - 3/8" NC x 3/4" carriage	2
16	C 28263	WASHER - dished 25/64" x 1"	2
17	C 22774	WING NUT - deflector lock	2
18	C 15334	BRACKET - chute hold down	3
19	111- 132	BOLT - 15/16" NC x 3/4" carriage	9
20	131- 911	NUT - 5/16" NC hex flange lock	9
21	129- 163	NUT - 3/8" - 24 lock	2
22	C 25841	SHAFT - stub	2
23	C 17878	BLADE - scraper	1
24	C 24640	COIL - chute control	1
25	195- 533	WASHER - 1/2"	4
26	C 24643	ROD - chute control	1
27	C 24644	CRANK - chute control	1
28	132- 300	PIN - cotter 1/8" x 7/8"	1
29	C 29684	ROD - lift	1
30	C 29663	PLATE - lift adapter	1
31	111- 524	BOLT - 1/2" - 13 x 1-1/2" carriage	1
32	192- 23	LOCK WASHER - 1/2"	1
33	129- 105	NUT - 1/2" - 13 hex	1
34	C 29685	BELLCRANK - lift	1
35	132- 310	PIN - cotter 1/8" x 1"	1
36	C 10898	PIN - safety	2

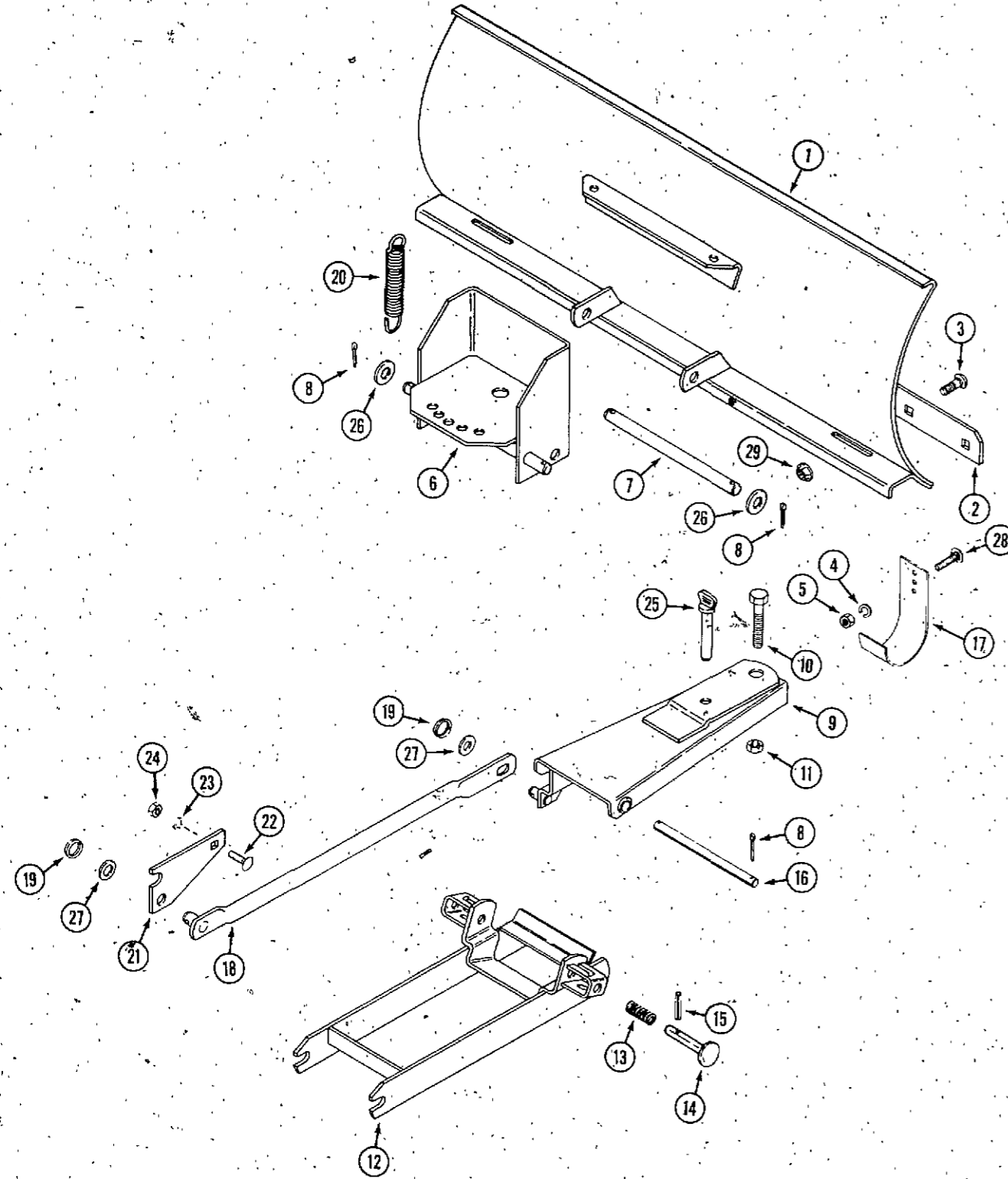


**MOUNTING COMPONENTS AND DRIVE ASSEMBLY**



REF.	PART NO.	DESCRIPTION	REQ'D
1	C 28277	FLANGETTE	4
2	C 28817	BEARING - 3/4" (includes locking collar)	2
3	111- 132	BOLT - 5/16" - 18 x 3/4" carriage	UAF
4	187- 1036	SCREW - 1/4" - 20 x 1/2"	2
5	113- 209	BOLT - 3/8" - 16 x 1-1/2"	1
6	131- 1352	NUT - 3/8" - 16 flange lock	1
7	C 19553	SPRING - extension	1
8	192- 21	LOCK WASHER - 3/8"	3
9	129- 103	NUT - 3/8" - 16	3
10	138- 2040	PIN - spiral 1/4" x 1-1/2"	1
11	C 10482	SPRING - compression	2
12	C 15278	PIN - latch	2
13	138- 2073	PIN - spiral 3/16" x 1-1/4"	2
14	C 27023	BELT - drive	1
15	C 15329	PULLEY - "V" idler	1
16	113- 233	BOLT - 3/8" - 16 x 1-3/4"	3
17	C 42426	PULLEY - idler 4-1/2"	1
18	C 29024	COLLAR - locking (included with bearing)	2
19	C 19733	SHAFT - drive	1
20	C 19731	PULLEY - drive shaft	1
21	C 18183	CHAIN - auger drive #40	1
22	C 28983	LINK - offset #40	1
	C 28982	LINK - connecting #40	1
23	C 15672	PULLEY - idler 2-1/2" (64 mm)	1
24	C 29681	BRACKET - mounting	1
25	C 42425	ARM - idler	1
26	132- 310	PIN - cotter 1/8" x 1"	3
27	195- 533	WASHER - 1/2"	3
28	C 29693	PIN - clevis 1/2" x 1-3/4"	2
29	C 29687	SUPPORT - chute crank	1
30	113- 207	BOLT - 3/8" - 16 x 1"	1
31	131- 938	NUT - 3/8" - 16 flange lock	1
32	131- 911	NUT - 5/16" - 18 flange lock	1
33	195- 525	WASHER - spacer	1
34	C 42432	BRACKET - idler mount	1

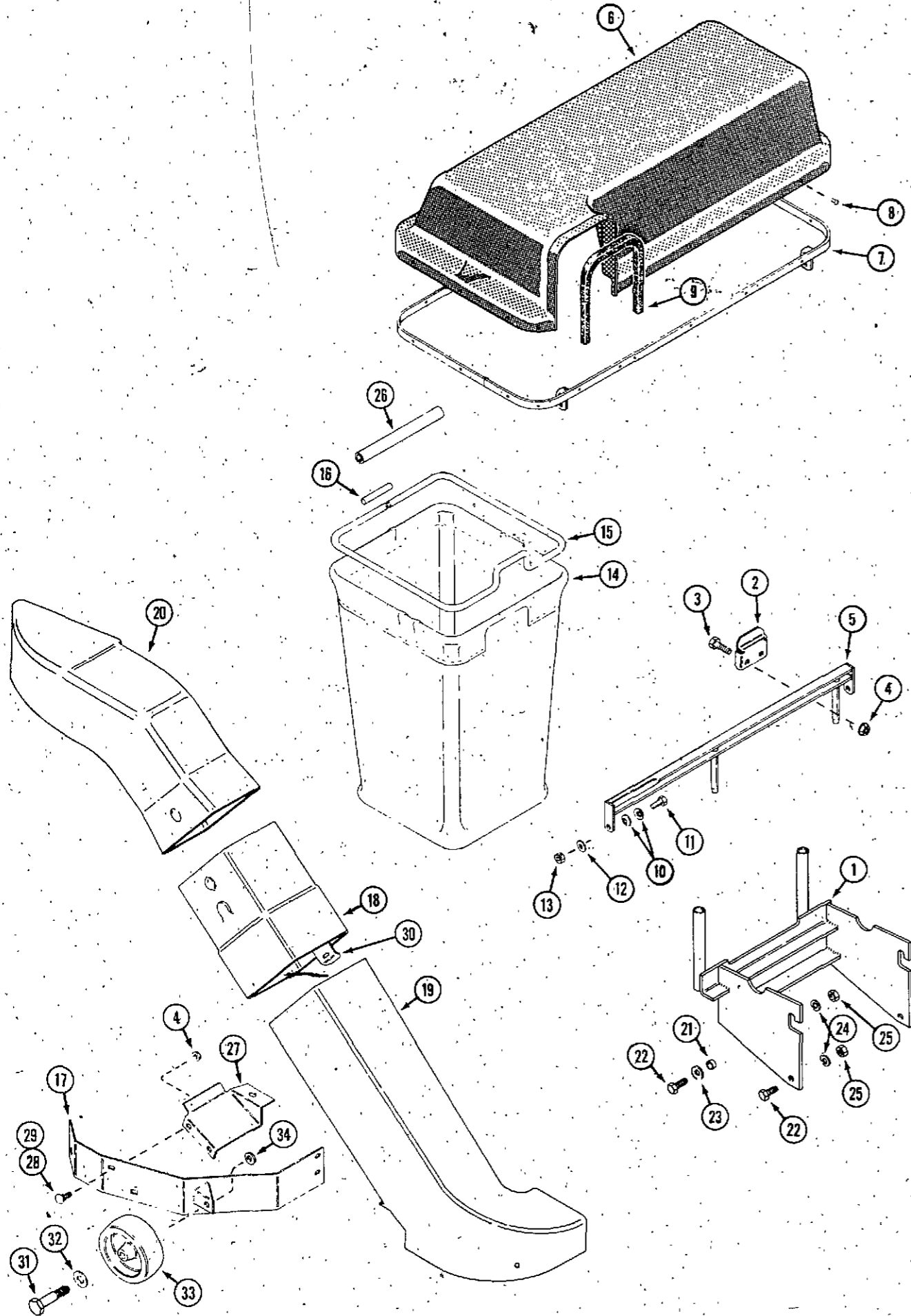
UTILITY BLADE



REF.	PART NO.	DESCRIPTION	REQ'D
1	C 42505	BLADE ASSEMBLY - 38" (965 mm)	1
2	C 15462	EDGE - cutting	1
3	111- 132	BOLT - 5/16" - 18 x 3/4" carriage	8
4	192- 20	LOCK WASHER - 5/16"	2
5	129- 102	NUT - 5/16" NC hex	2
6	C 42508	PIVOT - blade	1
7	C 42512	PIN - blade pivot	1
8	132- 310	PIN - cotter 1/8" x 1"	4
9	C 42514	BRACKET - push	1
10	113- 713	BOLT - 3/4" - 10 x 1-3/4"	1
11	131- 1112	NUT - 3/4" - 10 lock	1
12	C 42518	BRACKET - mounting	1
13	C 10482	SPRING - compression	2
14	C 15278	PIN - latch	2
15	138- 99	PIN - roll 3/16" x 1-3/8"	2
16	C 29912	PIN - bracket pivot	1
17	C 15469	SHOE - skid	2
18	C 42522	ROD - lift	1
19	C 28105	RING - retainer	2
20	C 16805	SPRING - blade extension	1
21	C 42525	PLATE - adapter (for 100 series tractors)	1
22	111- 524	BOLT - 1/2" - 13 x 1-1/2" carriage	1
23	192- 23	LOCK WASHER - 1/2"	1
24	129- 105	NUT - 1/2" - 13	1
25	C 10888	PIN - locking	1
26	195- 541	WASHER - 5/8"	4
27	195- 533	WASHER - 1/2"	2
28	111- 203	BOLT - 5/16" - 18 x 1" carriage	2
29	131- 911	NUT - 5/16" - 18 flange lock	2

BG42Y2 BAGGER

BAGGER ASSEMBLY



REF.	PART NO.	DESCRIPTION	REQ'D
1	C 40739	BRACKET - mounting	1
2	C 28436	BRACKET - retaining, hopper	1
3	113- 102	BOLT - 5/16" x 3/4"	12
4	131- 911	NUT - 5/16" flange lock	5
5	C 28434	FRAME - support	1
6	C 32101	COVER - bagger	1
7	C 29871	HINGE - cover	1
8	151- 88	RIVET - 3/16" x 5/16"	17
9	C 24610	SEAL - chute	1
10	C 25114	SPRING WASHER - Belleville	4
11	113- 103	BOLT - 5/16" - 18 x 1"	2
12	195- 521	WASHER - 5/16"	3
13	131- 176	NUT - 5/16" - 18 lock	2
14	C 28438	BAG - grass	2
15	C 28439	ROD - bag, support	2
16	C 28440	TUBE - retaining	2
17	C 40944	GUARD - chute	1
18	C 42197	CHUTE - middle	1
19	C 40940	CHUTE - lower	1
20	C 34781	CHUTE - upper	1
21	C 14768	SPACER	2
22	113- 207	BOLT - 3/8" x 1"	4
23	195- 525	WASHER - 3/8"	2
24	192- 121	LOCK WASHER - 3/8"	4
25	129- 103	NUT - 3/8"	4
26	C 32400	GUARD - bag	2
27	C 40948	DEFLECTOR	1
28	111- 222	BOLT - 5/16" - 18 x 1/2" carriage	2
29	111- 132	BOLT - 5/16" - 18 x 3/4" carriage	4
30	C 42149	LATCH - plate	1
31	C 16745	BOLT - shoulder	1
32	195- 533	WASHER - 1/2"	1
33	C 33709	WHEEL	1
34	131- 938	NUT - 3/8" flange lock	1

# INGERSOLL

## DECALS

REF.	PART NO.	DESCRIPTION	REQ'D
1	C 31086	DECAL - "Flying Debris" (RM42Y2, BG42Y2, RM44YR2)	2
2	C 31089	DECAL - "Spinning Blade" (BG42Y2)	1
3	C 31090	DECAL - cutting height (RM42Y2)	1
4	C 31087	DECAL - "Spinning Blade" (RM42Y2, RM44YR2)	1
5	C 12519	DECAL - "No Step" (RM42Y2, RM44YR2)	2
6	321-4199	DECAL - "auger warning" (SB38Y2)	1
7	C 16102	DECAL - drive belt (SB38Y2)	1
8	C 27090	DECAL - drive belt (RM44YR2)	1
9	321-6210	DECAL - cutting height (RM44YR2)	1
10	C 31989	DECAL - "INGERSOLL" (SB38Y2, UB38Y2)	1
11	321-4686	DECAL "Pinch Point" (UB38Y2)	1
12	C 31088	DECAL - "CAUTION"	1

**1**

**WARNING**

**FLYING DEBRIS**  
OPERATE MOWER ONLY WITH DISCHARGE CHUTE GUARD/COVER OR COMPLETE GRASS CATCHER IN PLACE. DEBRIS MAY CAUSE INJURY

**11**

**CAUTION**

KEEP HANDS AND FEET CLEAR OF THIS AREA  
BLADE TILTS WITH SPRING TRIP ACTION  
PINCH POINTS  
COULD CAUSE PERSONAL INJURY

**2**

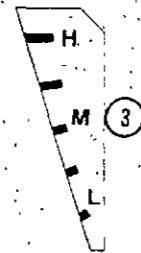
**DANGER**

**SPINNING BLADE**  
SEE OPERATOR'S MANUAL BEFORE ATTEMPTING TO CLEAR PLUGGED DISCHARGE CHUTE. CONTACT WITH BLADE CAN RESULT IN SERIOUS INJURY.

**6**

**WARNING**

**ROTATING AUGER**  
TO AVOID SEVERE INJURY, KEEP HANDS OUT OF AUGER AND DISCHARGE CHUTE WHILE ENGINE IS RUNNING.



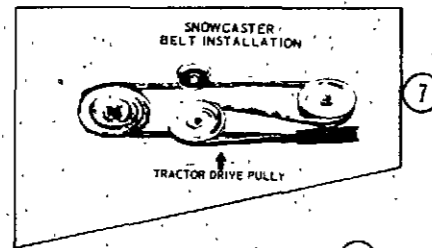
**4**

**DANGER**

**SPINNING BLADE**  
KEEP CLEAR  
CONTACT CAN INJURE

**5**

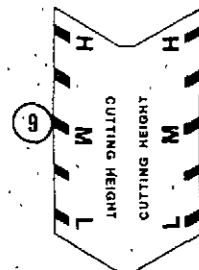
**NO STEP**



**13**

**CAUTION**

**FLYING DEBRIS**  
1 DO NOT RAISE COVER WHILE OPERATING  
2 PROPERLY INSTALL BAGGER AND CHUTE BEFORE STARTING MOWER. SEE OPERATOR'S MANUAL FOR FURTHER INSTRUCTIONS



**8**

DECK DRIVE PULLEY  
FLAT IDLER PULLEY  
ATTACHMENT DRIVE PULLEY / TRACTOR

- 1) SHUT OFF ENGINE. REMOVE KEY AND WAIT FOR ALL MOTION TO STOP BEFORE INSTALLING BELT.
- 2) PLACE ATTACHMENT DRIVE IN DISENGAGEMENT POSITION.
- 3) POSITION MOWER CUTTING HEIGHT TO LOW.
- 4) INSTALL BELT TO DECK PULLEY AND IDLER PULLEY AS SHOWN. ROTATE IDLER PIVOT ARM AND SECURE BELT TO ATTACHMENT DRIVE PULLEY.
- 5) DOUBLE CHECK THAT THE BELT IS PROPERLY SEATED IN EACH PULLEY. NO TWIST IN BELT.

## NUMERICAL INDEX

PART NO.	PAGE NO.	REF. NO.	PART NO.	PAGE NO.	REF. NO.	PART NO.	PAGE NO.	REF. NO.
C10482	9	4	C27096	11	6	C33275	7	17
C10482	13	13	C27109	11	37	C33709	5	12
C10482	13	27	C27118	13	18	C33709	11	29
C10482	17	11	C27119	13	18	C33709	21	33
C10482	19	13	C28105	9	6	C34718	11	1
C10810	13	3	C28105	11	2	C34719	11	1
C10821	11	27	C28105	13	28	C34734	13	23
C10821	13	1	C28105	19	19	C34781	21	20
C10888	19	25	C28263	15	16	C36802	5	2
C10898	9	24	C28277	17	1	C36805	5	1
C10898	13	2	C28434	21	5	C36817	9	11
C10898	15	36	C28436	21	2	C36823	9	18
C12251	11	16	C28438	21	14	C36838	9	22
C12519	23	5	C28439	21	15	C36856	5	4
C14768	11	21	C28440	21	16	C36868	13	12
C14768	21	21	C28817	17	2	C36998	7	27
C14932	13	8	C28938	17	22	C36998	11	40
C15248	15	11	C28971	7	2	C37121	7	23
C15278	9	3	C28971	13	2	C37196	7	7
C15278	13	16	C28971	15	9	C40739	21	1
C15278	17	12	C28972	7	29	C40940	21	19
C15278	19	14	C28977	11	24	C40944	21	17
C15329	17	15	C28982	17	17	C40948	21	27
C15334	15	18	C29024	17	18	C41082	9	9
C15462	19	2	C29431	13	9	C41089	9	25
C15469	19	17	C29453	7	3	C42179	21	30
C15672	17	23	C29663	15	30	C42197	21	18
C16102	23	7	C29681	17	24	C42339	9	8
C16714	7	24	C29684	15	29	C42342	9	8
C16714	11	38	C29685	15	34	C42394	11	14
C16745	5	13	C29687	17	29	C42402	13	7
C16745	9	15	C29693	17	28	C42404	13	15
C16745	11	30	C29871	21	7	C42408	11	6
C16745	21	31	C29875	15	1	C42409	11	23
C16805	19	20	C29877	15	7	C42410	11	5
C16940	15	14	C29912	19	16	C42425	17	25
C17775	15	8	C30649	11	31	C42426	17	17
C17878	15	23	C30729	7	1	C42432	17	34
C18183	17	21	C30733	7	8	C42505	19	1
C19088	13	19	C30734	7	9	C42508	19	6
C19553	17	7	C30735	7	32	C42512	19	7
C19731	17	20	C30736	7	15	C42514	19	9
C19733	17	19	C30738	5	3	C42518	19	12
C20005	9	12	C30741	5	4	C42522	19	18
C20005	13	12	C30744	5	6	C42525	19	21
C20005	13	26	C30750	9	1	C42526	19	21
C22774	15	17	C30766	5	7	111-101	11	32
C23452	7	12	C30767	5	8	111-132	9	21
C23949	11	8	C30768	5	9	111-132	13	24
C24610	21	9	C31086	23	1	111-132	15	19
C24640	15	24	C31087	23	4	111-132	17	3
C24643	15	26	C31088	23	12	111-132	19	3
C24644	15	27	C31089	23	2	111-132	21	29
C25114	21	10	C31090	23	3	111-217	5	10
C25206	15	2	C31216	7	19	111-222	21	28
C25541	7	6	C31452	13	5	111-340	9	19
C25542	13	4	C31498	13	4	111-340	13	9
C25543	7	4	C31499	13	5	111-340	15	10
C25544	13	13	C31500	11	10	111-340	15	15
C25840	15	4	C31501	11	11	111-366	7	33
C25841	15	22	C31566	13	8	111-366	11	17
C26033	9	7	C31571	13	10	111-371	11	20
C26090	7	20	C31606	11	9	111-375	11	12
C26090	11	36	C31608	11	15	111-517	13	21
C26405	11	25	C31989	23	10	111-524	15	31
C26736	9	14	C32101	21	6	111-524	19	22
C27023	17	14	C32400	21	26	111-533	19	28
C27090	23	8	C32421	7	5	113-1	15	12

## NUMERICAL INDEX

PART NO.	PAGE NO.	REF. NO.	PART NO.	PAGE NO.	REF. NO.
113-102	21	3	138-2040	17	10
113-103	21	11	138-2073	9	5
113-206	13	11	138-2073	17	13
113-207	7	30	151-88	21	8
113-207	17	30	187-1036	5	5
113-207	21	22	187-1036	11	4
113-208	7	13	187-1036	17	4
113-209	13	7	192-19	13	10
113-209	17	5	192-20	19	4
113-233	17	16	192-21	7	18
113-410	7	21	192-21	7	28
113-410	11	39	192-21	13	6
113-421	7	38	192-21	17	8
113-713	19	10	192-21	21	24
121-226	15	5	192-23	15	32
121-228	13	9	192-23	19	23
123-101	7	34	195-105	11	22
126-13	7	10	195-520	7	35
129-102	7	36	195-521	21	12
129-102	19	5	195-522	15	3
129-103	7	14	195-525	11	18
129-103	17	9	195-525	17	33
129-103	21	25	195-525	21	23
129-105	15	33	195-533	5	14
129-105	19	24	195-533	7	25
129-105	15	21	195-533	9	16
131-176	21	13	195-533	11	3
131-911	5	11	195-533	13	3
131-911	7	37	195-533	15	25
131-911	9	2	195-533	17	27
131-911	13	25	195-533	19	27
131-911	15	20	195-533	21	32
131-911	17	32	195-541	11	28
131-911	19	29	195-541	19	26
131-911	21	4	321-4199	23	6
131-930	9	23	321-4686	23	11
131-930	13	6	321-6210	23	9
131-934	11	33			
131-938	5	15			
131-938	9	17			
131-938	9	20			
131-938	11	13			
131-938	13	11			
131-938	15	6			
131-938	17	31			
131-938	21	34			
131-1102	15	13			
131-1112	19	11			
131-1182	7	22			
131-1182	11	35			
131-1182	13	20			
131-1308	13	22			
131-1331	7	11			
131-1352	7	31			
131-1352	11	19			
131-1352	17	6			
132-300	15	28			
132-310	7	26			
132-310	9	10			
132-310	11	34			
132-310	15	35			
132-310	17	26			
132-310	19	8			
138-96	9	13			
138-96	13	14			
138-99	13	17			
138-99	19	15			
138-106	11	26			