

GENERAL INFORMATION

INDEX

There is an index at the front and rear of this catalog.

The front index is an alphabetical index of the major groups or assemblies.

The rear index is a numerical index of the part numbers and pages on which these numbers are shown.

ILLUSTRATION

Each illustration in this catalog shows a group of parts or components. These parts and components are aligned approximately as the parts and components on your machine. Each part and component in an illustration has a reference number. These reference numbers are in a list on the page opposite of the illustration. Next to the reference number is the part number, description and required quantity of the part shown in the illustration.

UAR - "Use as required" indicates that the part quantity is variable.

NSS - "Not sold separately" indicates that the part is only available as a component of an assembly or the part must be purchased locally. If the part is an assembly component, the description will be indented under the assembly description in the parts list.

O/L - "Obtain locally"

** - "Footnotes" are added to a part number when more information is needed for identification. They only relate to the part numbers indicated.

PARTS ORDERS

All orders must include the following information:

1. Correct part number.
2. Complete description of part or component.
3. Total quantity of each part or component.
4. Product model number.
5. All necessary product identification numbers.
6. Method for sending the parts.
7. Complete and correct address.

CATALOG REVISIONS

As the product changes, new pages will be available for your catalog. A notice will be issued.

IMPORTANT: Put all revisions into the catalog as soon as possible.

RIGHT HAND AND LEFT HAND IDENTIFICATION

The words right hand (RH) and left hand (LH) as used in this catalog indicate the direction while you are in the operator's seat in the normal operating position.

INDENTED DESCRIPTIONS

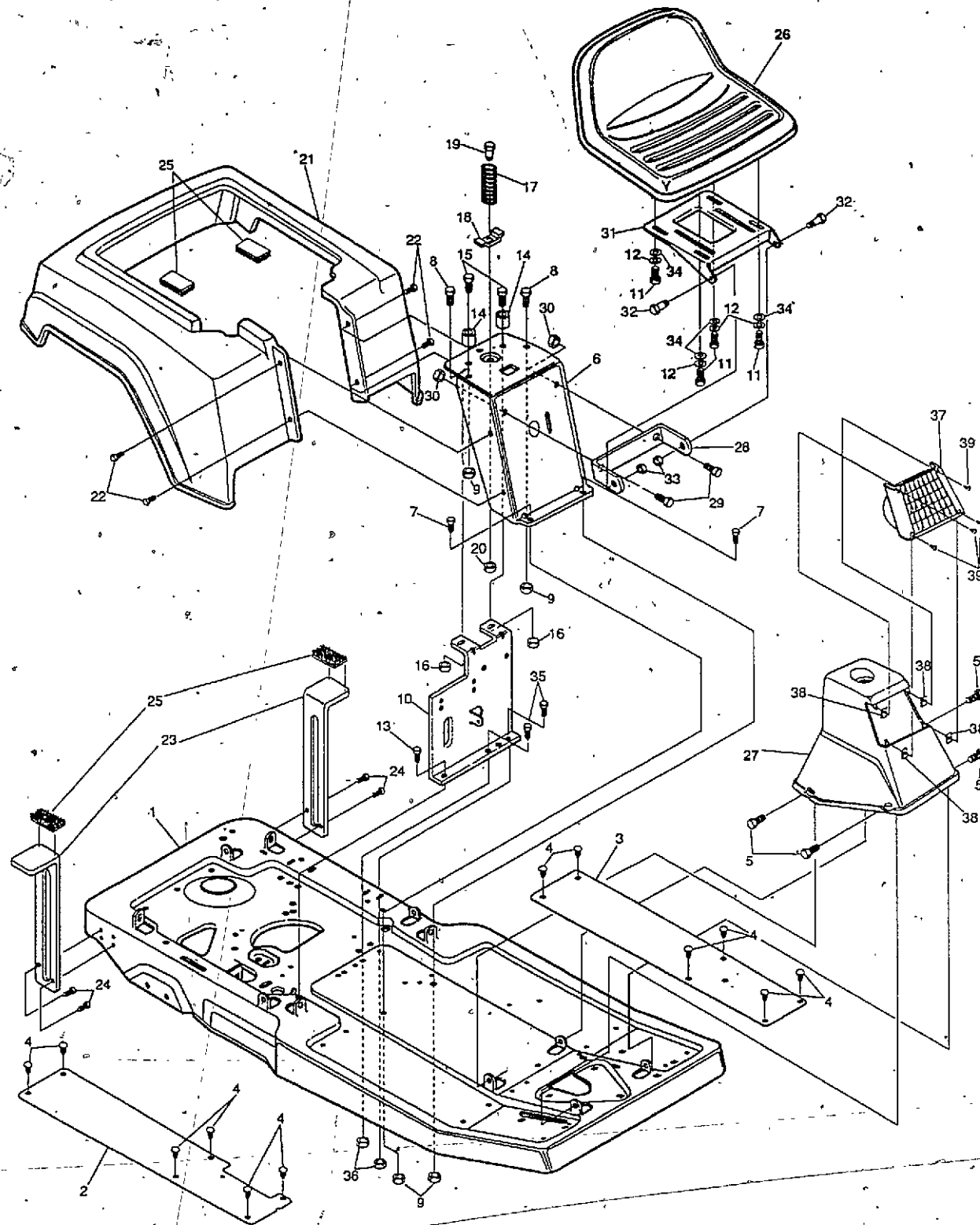
An assembly can have many components. The components of an assembly are indicated by an indented description. The quantity for an indented part is the total needed for that complete assembly. See the example.

REF.	PART NO.	DESCRIPTION	REQ'D
	C 55159	CYLINDER ASSY - rear steering	1
28	C 56208	SOCKET ASSY - rear cylinder	1
29	C 55956	PLUG - adjusting, socket assy	1
30	C 55957	SEAT - socket ball	2
31	C 56210	SPRING - socket	1
32	C 56209	SEAT - socket spring	1
33	G 45175	CLAMP ASSY - socket assy	1
	16- 836	BOLT - 1/2" x 2-1/4" N.F. hex	1
34	132- 104	PIN - cotter, 3/16" x 3"	1
35	C 55889	STUD - ball, socket & cylinder	2
36	13- 410	BOLT - 1/4" x 5/8" N.C., hex	4
37	92- 4	LOCK WASHER - 1/4" SAE	4

INGERSOLL

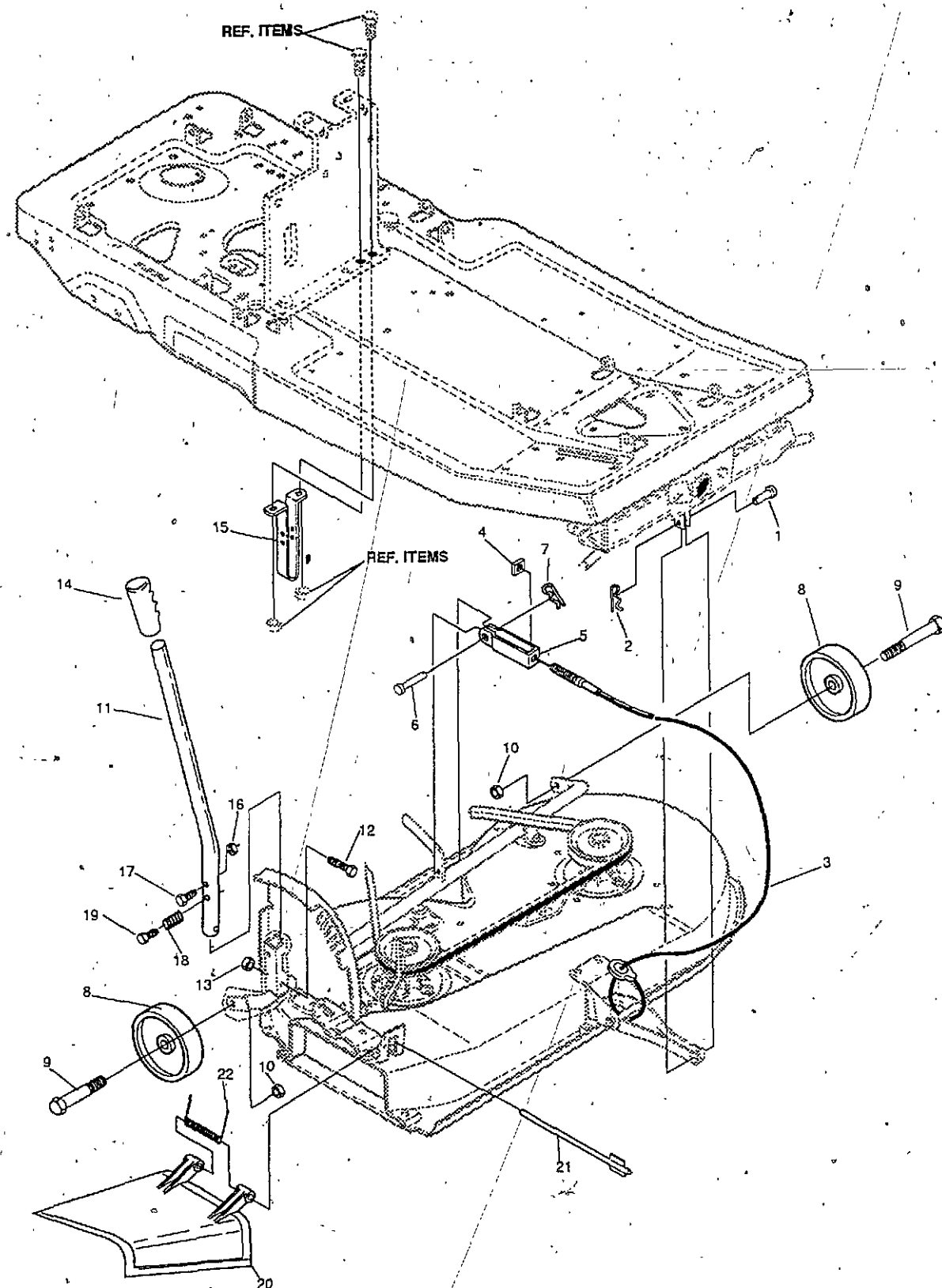
Ingersoll Equipment Co., Inc.

BODY GROUP ASSEMBLY

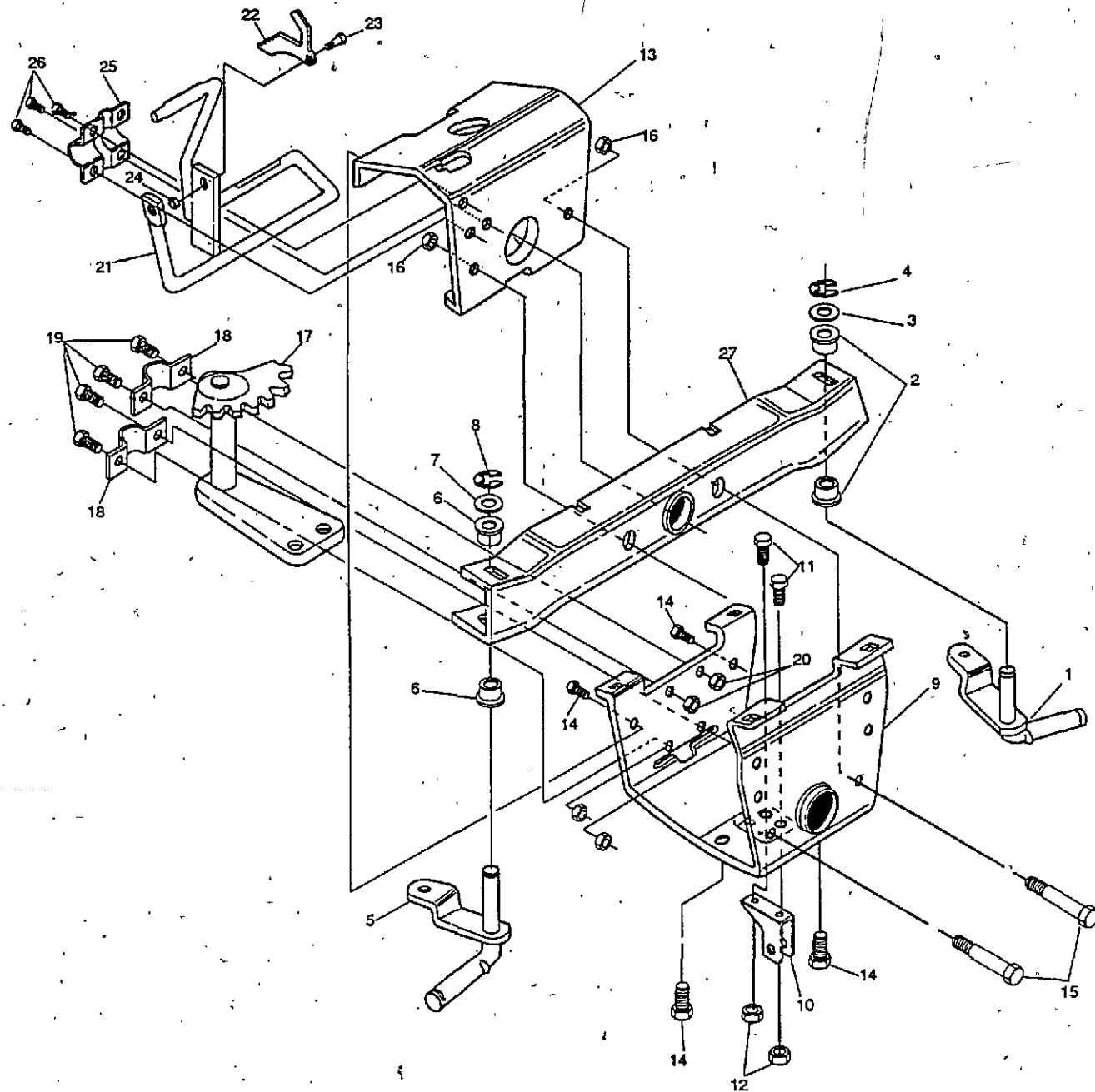


key#	part#	description	qty.
1	C34790	Frame	1
2	C34791	Footpad RH	1
3	C34792	Footpad LH	1
4	C35067	Fastener, Ratchet	12
5	C34794	Screw, 1/4-20 x .50 WA H H Tap	4
6	C34795	Seat Support	1
7	C34797	Screw, 5/16-18 x .63 WA H HC GR2	2
8	C34796	Screw, 5/16-18 x .63 H HC GR2	2
9	C34798	Nut, 5/16-18 Reg H Ctr Lk	4
10	C34799	Seat/Shift Bracket	1
11	C34856	Screw, 5/16-18 x .75 HHC GR2	4
12	C35054	Washer, HV SP LK .328 x .60 x .11	4
13	C34800	Screw, 5/16-18 x .75 WA H H Tap	1
14	C34801	Spacer	2
15	C34802	Screw, 5/16-18 x 1.00 H HC GR2	2
16	C34798	Nut, 5/16-18 Reg H Ctr Lk	2
17	C34803	Seat Spring	1
18	C34804	Clamp, Spring	1
19	C34805	Screw, 1/4-20 x .50 H HC GR2	1
20	C34806	Nut, 1/4-20 Reg Hex Ctr Lk	1
21	C34807	Fender	1
22	C34808	Screw, 1/4-20 x .75 H WA Tap	4
23	C34809	Fender Support	2
24	C34794	Screw, 1/4-20 x .50 WA H H Tap	4
25	C34810	Fastener, Velcro	2
26	C35060	Seat	1
27	C34811	Console	1
28	C34812	Seat Bracket	1
29	C34813	Screw, 3/8-16 x .56 HHC	2
30	C34814	Nut, 3/8-16 REG HX CTR LK	2
31	C34815	Seat Plate	1
32	C34816	Bolt, .437 x .156 HH SH 5/16-18	2
33	C34798	Nut, 5/16-18 REG HEX CTR LK	2
34	C34876	Washer, Flat .344 x .69 x .065	4
35	C34817	Screw, 5/16-18 x .63H HC GR2	2
36	C34798	Nut, 5/16-18 Reg H Ctr Lk	2
37	C34818	Assy., Headlight Lens	1
38	C34819	Clip, Tinnerman	4
39	C34820	Screw, #6 x .50 Black	4

MOWER SUSPENSION ASSEMBLY



key#	part#	description	qty.
1	C34821	PIN, .495X1.750 CLEVIS-SHORT	1
2	C34822	PIN, HAIR .091 DIA X1.62LG	1
3	C34823	CABLE, DECK LIFT	1
4	C34824	NUT, 1/4-20 REGSQ	1
5	C34825	CLEVIS, LIFT CABLE	1
6	C34826	PIN CLEVIS .312 X .812	1
7	C34822	PIN, HAIR .091 DIA X1.62LG	1
8	C34827	WHEEL, SD 6.000DX1.38WD	2
9	C34828	BOLT, .500X1.390 HSSH 3/8-16	2
10	C34814	NUT, 3/8-16 REGHXCTRLK	2
11	C34829	HANDLE, HGTH ADJUST	1
12	C34830	SCREW, 5/16-18X1.50 HHC	1
13	C34798	NUT, 5/16-18 REGHEXCTRLK	1
14	C34831	GRIP, .75 X 4.25 HANDLE BLK	1
15	C34832	GUIDE, DECK	1
16	C34833	NUT, 5/16-18 HEXKEPS	1
17	C34834	SCREW, 1/4-20X .63 HHTAP	1
18	C34835	SPRING, .70X.85X.091	1
19	C34837	BOLT, 5/16-18X.56 SPCUHD LATCH	1
20	C34836	CHUTE	1
21	C34838	PIVOT ROD, CHUTE	1
22	C34839	SPRING, TORSION CHUTE DEFLECTOR	1



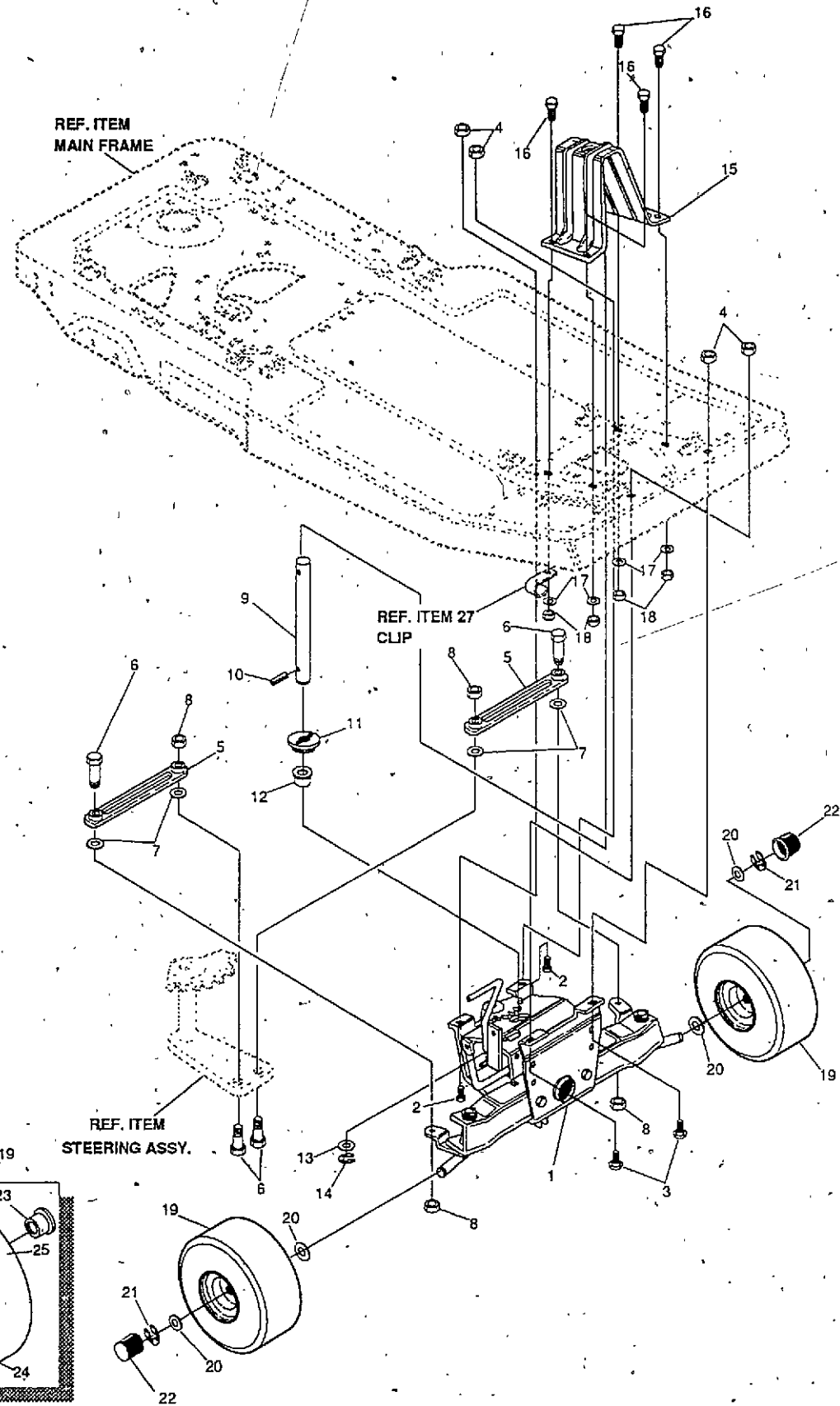
36" RIDING MOWER MODEL 810

FRONT AXLE ASSEMBLY

key#	part#	description	qty.
1	C34840	Assembly Spindle L.H.	1
2	C34841	Bushing, Spindle	2
3	C34842	Washer, Flat .635 x 1.31 x .07	1
4	C34843	Ring, Ret E. .48 x .04 TRU 5133-62	1
5	C34844	Assembly Spindle, R.H.	1
6	C34841	Bushing, Spindle	2
7	C34842	Washer, Flat .635 x 1.31 x .07	1
8	C34843	Ring, Retaining E. .48 x .04 TRU 5133-62	1
9	C34845	Bracket, Axle, Outer Front	1
10	C34846	Hanger	1
11	C34796	Screw, 5/16-18 x .63 HHC GR2	2
12	C34798	Nut, 5/16-18 Reg H Ctr Lk	2
13	C34847	Axle Bracket, Inner	1
14	C34848	Screw, 5/16-18 x .50 WAHH Tap	4
15	C34849	Screw, 3/8-16 x 2.75 H HC GR 2	2
16	C34814	Nut, 3/8-16 Reg HX Ctr Lk	2
17	C34850	Steering Assembly	1
18	C34851	Clamp, .625 Dia.	2
19	C34796	Screw, 5/16-18 x .63 H HC GR2	4
20	C34798	Nut, 5/16-18 Reg Hex Ctr Lk	4
21	C34852	Brake Arm Assembly	1
22	C34853	Latch, Parking Brake	1
23	C34854	Bolt, .373 x .140 H H SH 1/4-20	1
24	C34806	Nut, 1/4-20 Reg H Ctr Lk	1
25	C34855	Bracket, Clutch and Brake	1
26	C34848	Screw, 5/16-18 x .50 WA H H Tap	5
27	*	Front Axle Assembly	1

* Order Individual Parts.

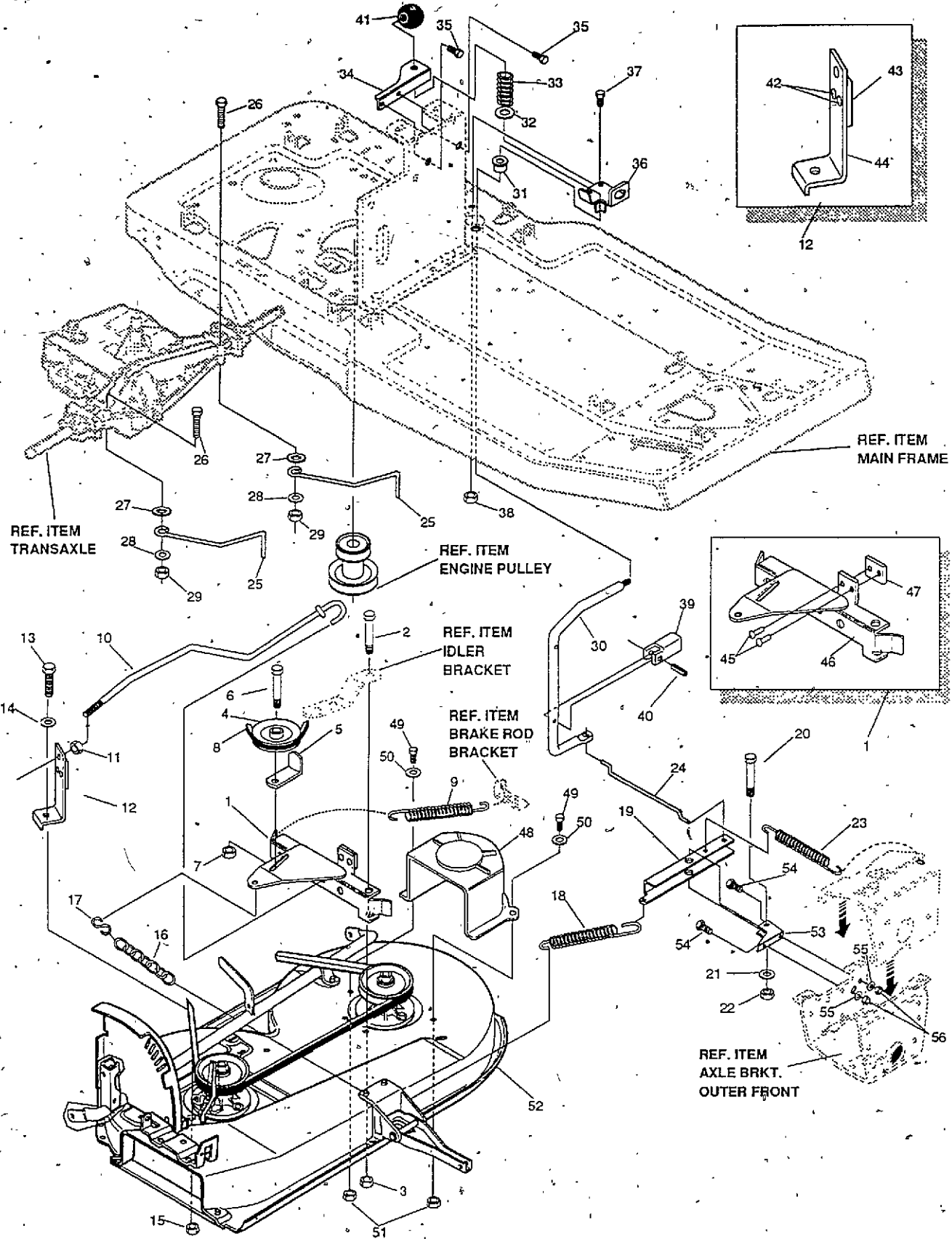
TIRES AND FRONT AXLE



key#	part#	description	qty.
1	*	Front Axle Assy.	1
2	C34856	Screw, 5/16-18 x .75 H HC GR2	2
3	C34857	Bolt, 5/16-18 x .63 Carr GR2	2
4	C34858	Nut, 5/16-18 Hex Wd Fl Lk Whiz	4
5	C34859	Tie Rod	2
6	C34860	Screw, 3/8-16 x 1.25 H HC GR2	4
7	C34861	Washer, Reg Spt Lk .393 x .68 x .10	4
8	C34814	Nut, 3/8-16 Reg Hx Ctr Lk	4
9	C34862	Shaft Steering	1
10	C34863	Pin, Spring .250 Dia. x 1.25 Lg	1
11	C34864	Gear, Pinion	1
12	C34865	Bushing-Steering	1
13	C34842	Washer, Flat .635 x 1.31 x .07	1
14	C34843	Ring, Retaining E .48 x .04 TRU 5133-62	1
15	C34866	Support, Steering Shaft	1
16	C34797	Screw, 5/16-18 x .63 WA H HC GR2	4
17	C34876	Washer, Flat .344 x .69 x .065	4
18	C34798	Nut, 5/16-18 Reg Hex Ctr Lk	4
19	*	Tire & Rim, Pneumatic 11 x 4 00-5	2
20	C34868	Washer, Flat .640 x 1.25 x .06	4
21	C34843	Ring, Retaining E .48 x .04 TRU 5133-62	2
22	C34869	Hub Cap	2
23	C34870	Bearing, Wheel	2
24	C34871	Wheel	1
25	**	Tire 11 x 4 - Turf	1
26	C34920	Valve Stem	1
27		See Electrical System	1

* Order Individual Parts.

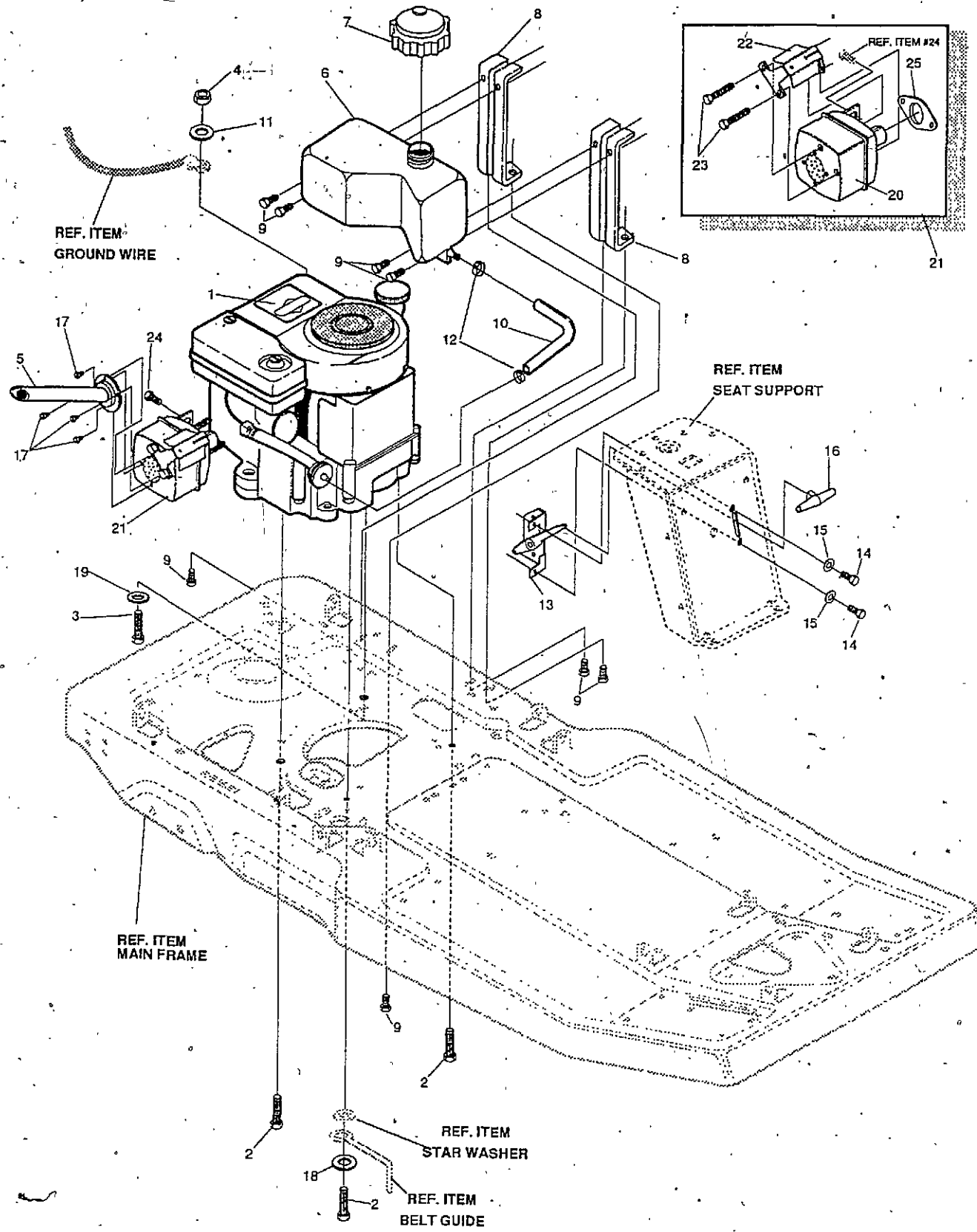
**Order Tires from Your Local Tire Dealer



MOWER DRIVE ASSEMBLY

key#	part#	description	qty.
1	C34926	ASSY., IDLER/BRAKE ARM	1
2	C34927	BOLT, .500X1.950 HHS 3/8-16	1
3	C34814	NUT, 3/8-16 REGHXCTRLK	1
4	C34928	FLANGED IDLER	1
5	C34929	RETAINER BELT	1
6	C34930	SCREW, 3/8-16X1.75 HHC	1
7	C34814	NUT, 3/8-16 REGHXCTRLK	1
8	C34931	V-BELT, DECK DRIVE BELT	1
9	C34901	SPRING .071 X .62 X 4.37	1
10	C34932	BRAKE ROD, 36" SD DECK	1
11	C34806	NUT, 1/4-20 REGHEXCTRLK	1
12	C34933	BRAKE ARM ASSY.	1
13	C34796	SCREW, 5/16-18 X .63 HHC	1
14	C34876	WASHER, FLAT .344 X .69 X .065	1
15	C34798	NUT, 5/16-18 REGHEXCTRLK	1
16	C34934	CHAIN, JACK,	.333 FT
17	C34935	HOOK, S, 12 GA. STEEL	1
18	C34936	TENSION SPRING	1
19	C34937	ROCKER ARM, MOWER ENGAGEMENT	1
20	C34938	BOLT, .500X1.18 HHS 3/8-16	1
21	C34939	WASHER, FLAT .390 X 1.25 X .119	1
22	C34814	NUT, 3/8-16 REGHXCTRLK	1
23	C34901	SPRING .071 X .62 X 4.37	1
24	C34940	ROD, CONNECTING	1
25	C34941	GUIDE, BELT	2
26	C34875	SCREW, 5/16-18X2.50 HHC GR2	2
27	C34922	WASHER, EXLK .320 X .61 X .03	2
28	C34876	WASHER, FLAT .344 X .69 X .065	2
29	C34798	NUT, 5/16-18 REGHEXCTRLK	2
30	C34942	HANDLE, PTO LINKAGE	1
31	C34943	BEARING, FLANGED, NYLON	1
32	C34944	RETAINER, SPRING	1
33	C34945	SPRING COMPRESSION	1
34	C34946	SUPPORT BRKT.	1
35	C34794	SCREW, 1/4-20X .50 WAHTAP	2
36	C34947	BRACKET, PTO LIMIT	1
37	C34800	SCREW, 5/16-18X .75 WAHTAP	1
38	C34798	NUT, 5/16-18 REGHEXCTRLK	1
39	C34948	STOP, PTO ENGAGEMENT	1
40	C34949	PIN, SPRING, 187DIA X 1.00 LG HVPL	1
41	C35053	SHIFT KNOB	1
42	C34950	RIVET	2
43	C34951	BRAKE PAD	1
44	C34952	BRAKE ARM	1
45	C34953	RIVET, OVSET .187DIA X .50LG	2
46	C34954	BRAKE ARM	1
47	C34955	BRAKE PAD	1
48	C34956	COVER, BELT	1
49	C34796	SCREW, 5/16-18 X .63 HHC	2
50	C34876	WASHER, FLAT .344 X .69 X .0645	2
51	C34798	NUT, LOCK 5/16-18 HX CNTR LK	2
52	NSS	ASSY., DECK PREPAINT	1
53	C34846	HANGER	1
54	C34796	SCREW, 5/16-18 X .63 HHC GR2 Z	2
55	C34876	WASHER, FLAT .344 X .69 X .065	2
56	C34798	NUT, 5/16-18 REGHEXCTRLK Z	2

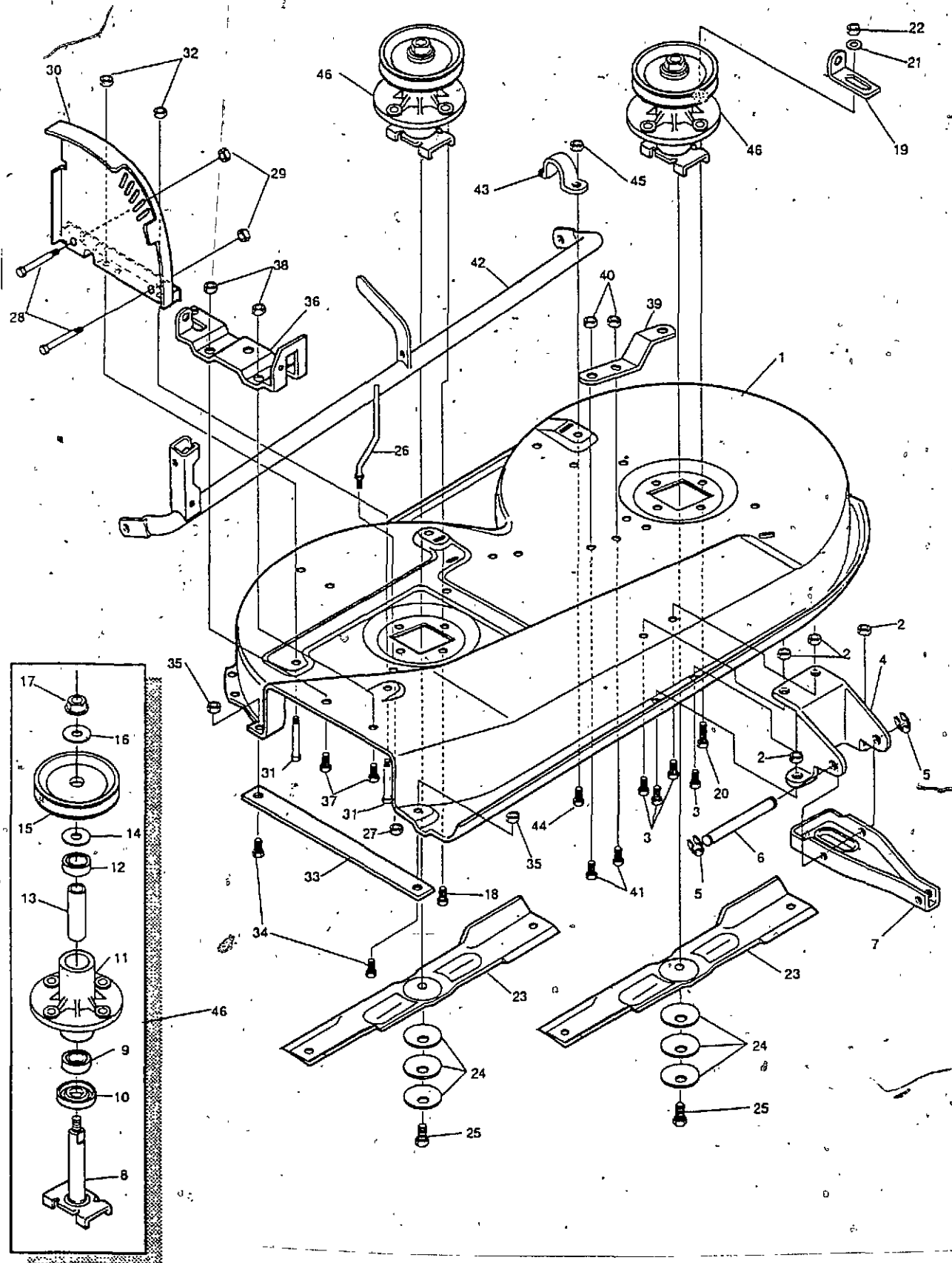
ENGINE ASSEMBLY



key#	part#	description	qty.
1	C34535*	Engine - 10 HP	1
2	C34958	Screw, 3/8-16 x 1.000 WD FL LK	3
3	C34959	Screw, 5/16 - 18 x 1.50 HHC	1
4	C34960	Nut, 5/16 - 18 H WD FL LK	1
5	C34961	Exhaust Assy.	1
6	C34962	Tank, Gas-Elec, 1.3 GAL	1
7	C34963	Cap, Fuel -2.5 Throat	1
8	C34964	Support, Gas Tank	2
9	C34794	Screw, 1/4-20 x .50 WA HH TAP	8
10	C34965	Gas Line .25 ID Bulk Length	22 IN.
11	C34876	Washer, Flat .344 x .69 x .065	1
12	C34966	Clamp, Fuel Line	2
13	C34967	Control, Throttle	1
14	C34968	Screw #8-32 x .38 HH WA TAP	2
15	C34969	Washer, Flat .188 x .38 x .040	2
16	C34970	Throttle Control Knob-T Shape	1
17	C34971	Screw, Drill Tite	4
18	C34889	Washer, Flat .406 x .81 x .065	1
19	C34922	Washer, EX LK .320 x .61 x .03	1
20	C34972	Muffler	1
21	C34973	Muffler Assy.	1
22	C34974	Muffler Shield	1
23	C34975	Bolt, .437 x 4.34 HHSH 5/16-18	2
24	C34976	Screw, 1/4-20 x .5 HHCSEMS	1
25	C35440	Gasket, Muffler	1

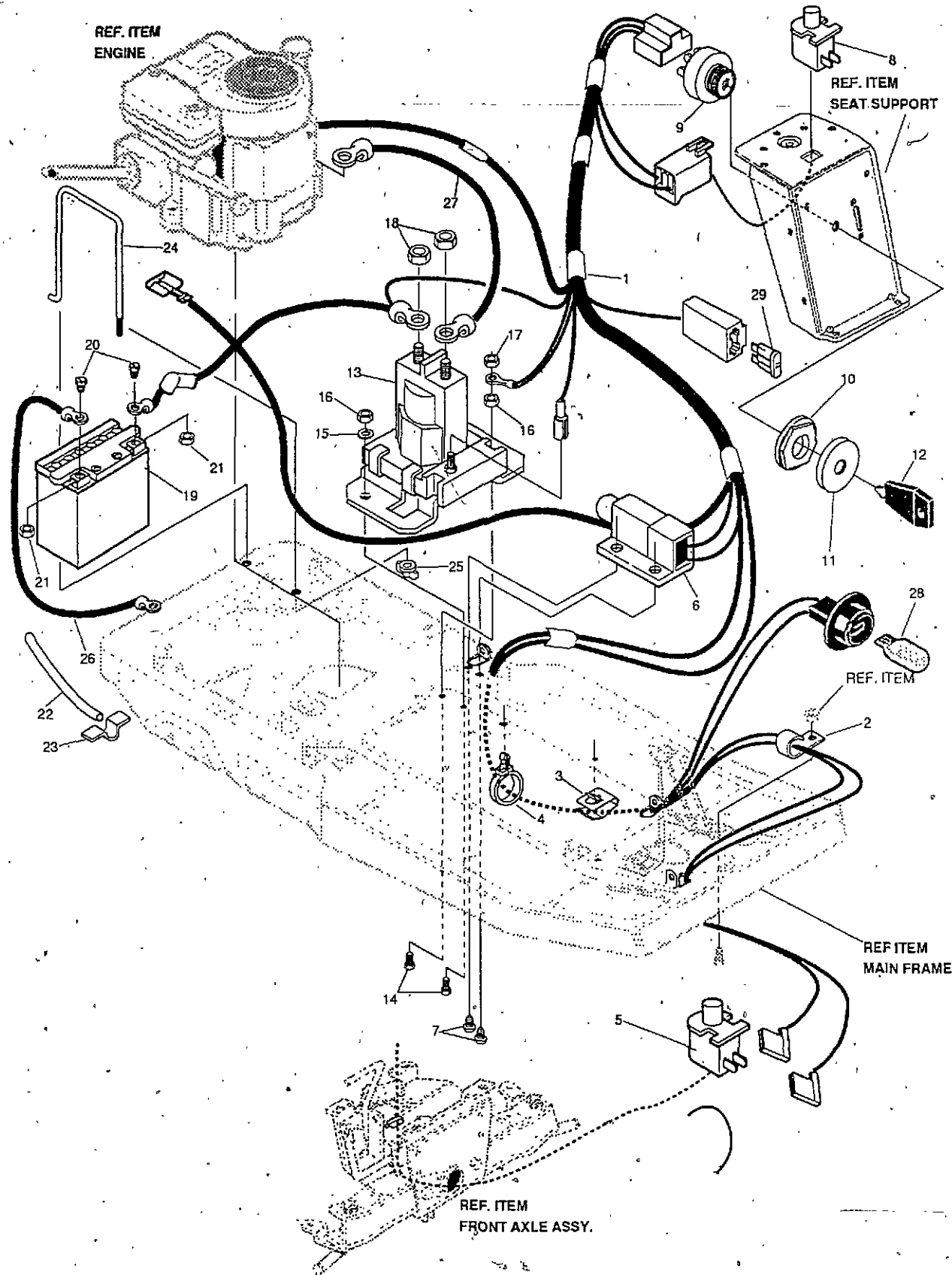
*See Engine Section for Service Parts

PRE-PAINTED DECK ASSEMBLY

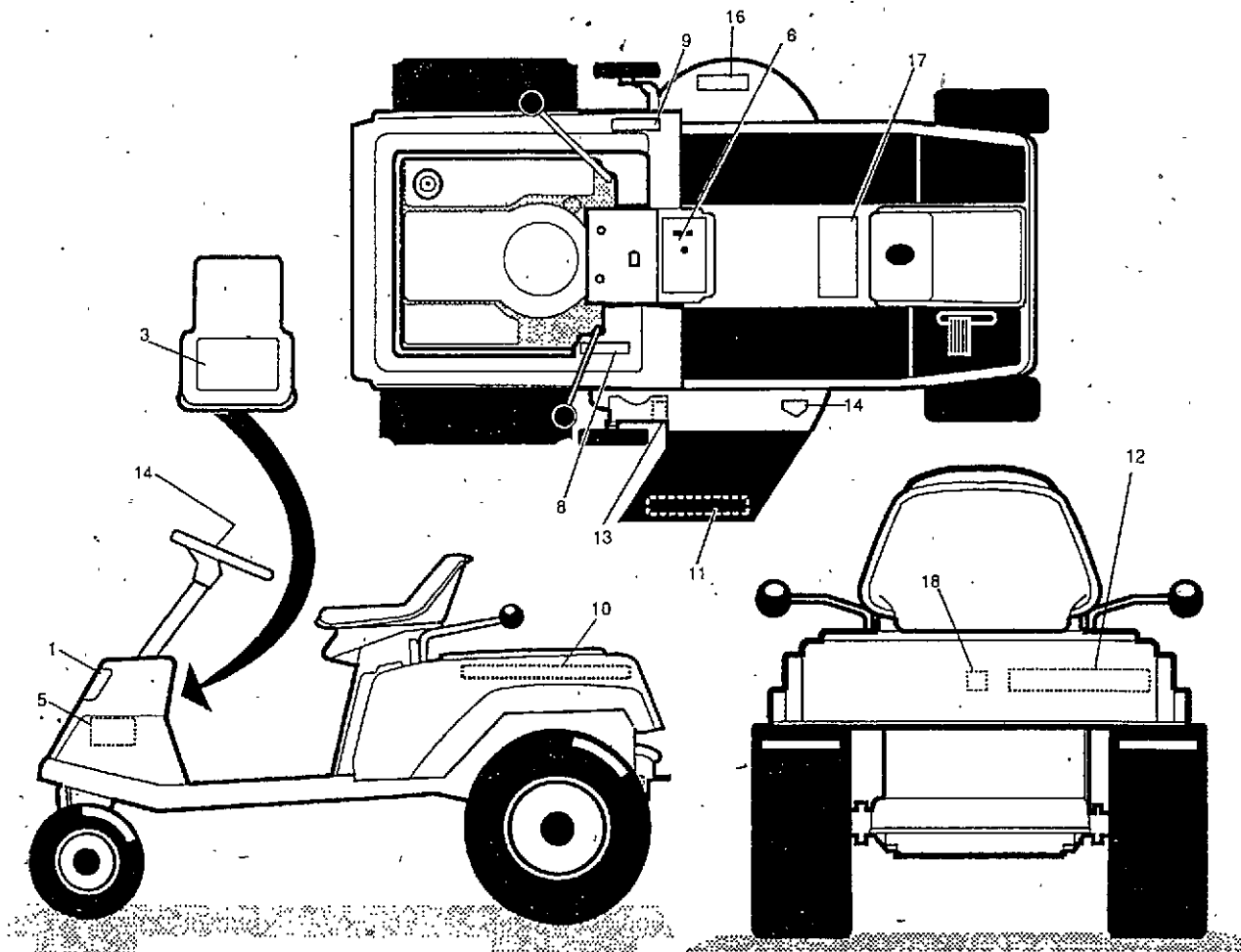
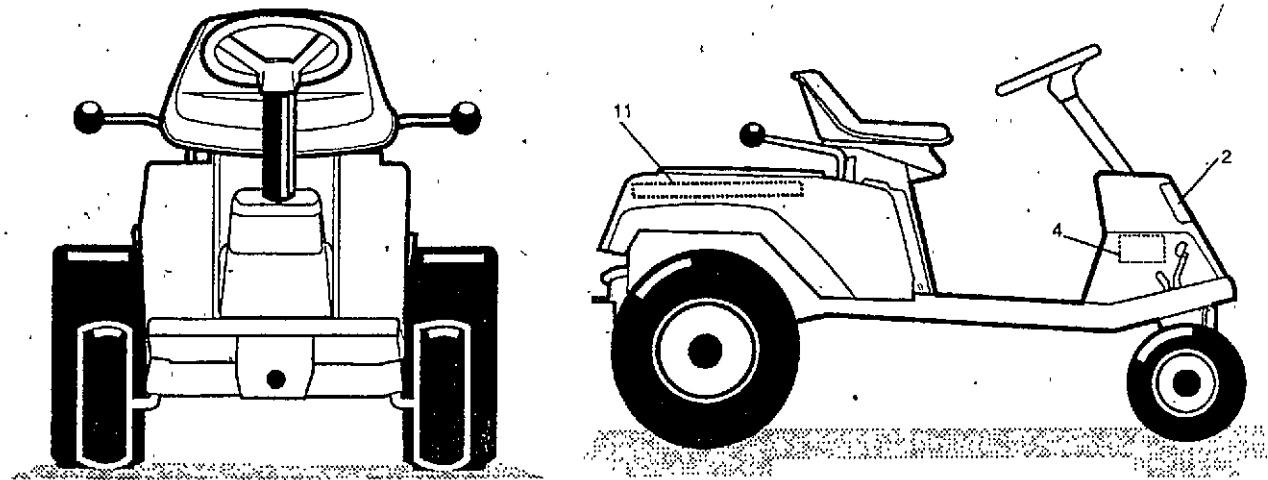


key#	part#	description	qty.
1	C34984	Stamping, Deck	1
2	C34798	Nut, 5/16-18 REG HEX CTR LK	4
3	C34796	Screw, 5/16-18 x .63 HHC GR2	4
4	C34978	Bracket, Front	1
5	C34979	Ring, RET E .39 X .04	2
6	C34980	Rod, Pivot	1
7	C34981	Bracket, Front Lift, 36 SD	1
8	C34982	Saddle and Shaft Assy	1
9	C34983	Bearing, Ball	1
10	C34985	Dust Shield	1
11	C34986	Quill Casting RH	1
12	C34983	Bearing, Ball	1
13	C34987	Spacer, L&RH Quill	1
14	C34988	Spacer, Quill	1
15	C34989	Pulley, 26/36" Quill V5L	1
16	C34990	Special Washer	1
17	C34991	Nut, 7/16 - 20 WD FL LK	1
18	C34992	Screw, 5/16-18 x .88 WA HH TAP	7
19	C34993	Bracket, Brake Rod	1
20	C34994	Screw, 5/16-18 x 1.50 WA TAP	1
21	C34995	Washer, Flat .344 x 1.13 x .062	1
22	C34798	Nut, 5/16-18 REG HEX CTR LK	1
23	C34996	Blade, 18.13 High-Lift	2
24	C34997	Washer, .39 ID x 1.25D x .07	6
25	C34998	Screw, 3/8-24 x 1.00	2
26	C34999	Guide, Belt 5/16-18 THD	1
27	C34798	Nut, 5/16-18 REG HEX CTR LK	1
28	C34830	Screw, 5/16-18 x 1.50 HH C	2
29	C34798	Nut, 5/16-18 REG HEX CTR LK	2
30	C35000	Quadrant Height Adjust.	1
31	C34856	Screw, 5/16-18 x .75 HHC	2
32	C34798	Nut, 5/16-18 REG HEX CTR LK	2
33	C35002	Bar, Skid	1
34	C34895	Bolt, 5/16-18 x .75 CARR	2
35	C34833	Nut, 5/16-18 HEX KEPS	2
36	C35003	Bracket, Chute	1
37	C35004	Screw, 5/16-18 x .50 HHC	2
38	C34798	Nut, 5/16-18 REG HEX CTR LK	2
39	C35005	Bracket, Idler	1
40	C34960	Nut, 5/16-18 HWD FLLK	2
41	C35006	Screw, 5/16-18 x .75 HHC	2
42	C35007	Pivot Tube Assy.	1
43	C35008	Support, Pivot Tube	1
44	C35004	Screw, 5/16 - 18 x .50 HHC	1
45	C34798	Nut, 5/16-18 REG HEX CTR LK	1
46	C35009	Quill	2

ELECTRICAL ASSEMBLY



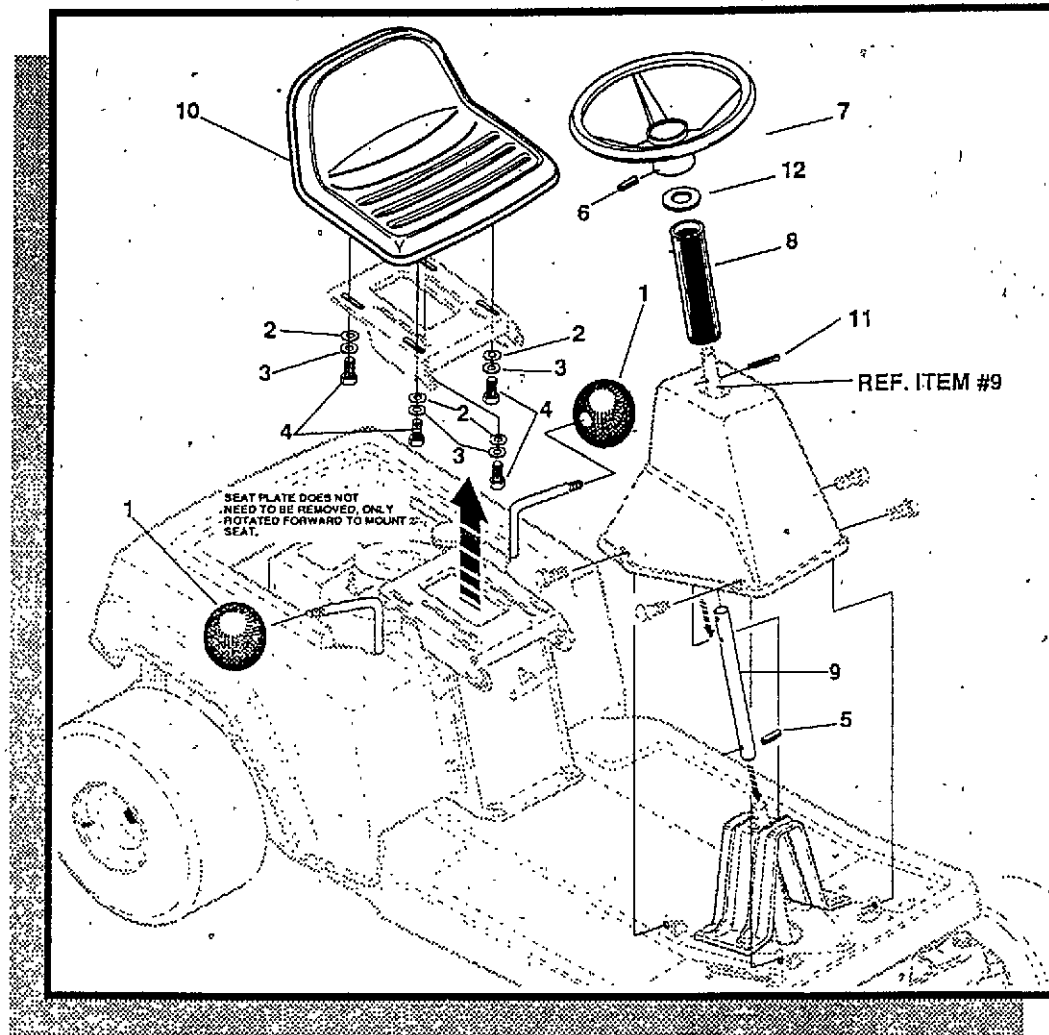
key#	part#	description	qty.
1	C35010	HARNES, ELEC RER C2 8-11B&S	1
2	C35011	RETAINER, .31IDX.62X.03 WIRE	1
3	C35012	CLIP, TRW #C4490-022-27	1
4	C35013	CLIP, WIRE ROUTING, SNAP-IN	1
5	C35014	SWITCH,SNAP MNT NO .140	1
6	C35015	SWITCH,SCR MNT DP NC	1
7	C35016	SCREW, #12 X .50 PHPNHTAP	2
8	C35017	SWITCH,SNAPMNT NC .055/.166	1
9	C35018	SWITCH, IGNITION & LIGHTS	1
10	C35019	NUT, 5/8-32 IGN SWIT	1
11	C35020	BOOT,SWITCH	1
12	C35021	KEY, IGNITION SWITCH	1
13	C35022	SOLENOID, NEW CLUM	1
14	C35023	SCREW, 1/4-20X .75 HXSEMMA	2
15	C34922	WASHER, EXLK .320X.61X.03	1
16	C34806	NUT, 1/4-20 REGHEXCTRLK	2
17	C35024	NUT, 1/4-20 REGHEXKEPS	1
18	C35025	NUT, 5/16-24 HKEPS	2
19	C35026	BATTERY, YUASA 12N14	1
20	C35027	SCR., METRIC, 6X1X11	1
21	C35028	NUT, METRIC, 6X1 HEX	1
22	C35029	DRAIN TUBE, BATT	1
23	C35030	CLIP, 1 380LG .255ID PRESS WIRE	1
24	C35031	HOLD DOWN BRKT	1
25	C35032	NUT, WING 1/4-20 SMALL PLASTIC	1
26	C35033	WIRE, GROUND, 12.5"	1
27	C35034	WIRE, STARTER,	1
28	C35035	BULB, HEADLAMP	1
29	C35036	FUSE SPADE TYPE 32V 15A	1



DECALS

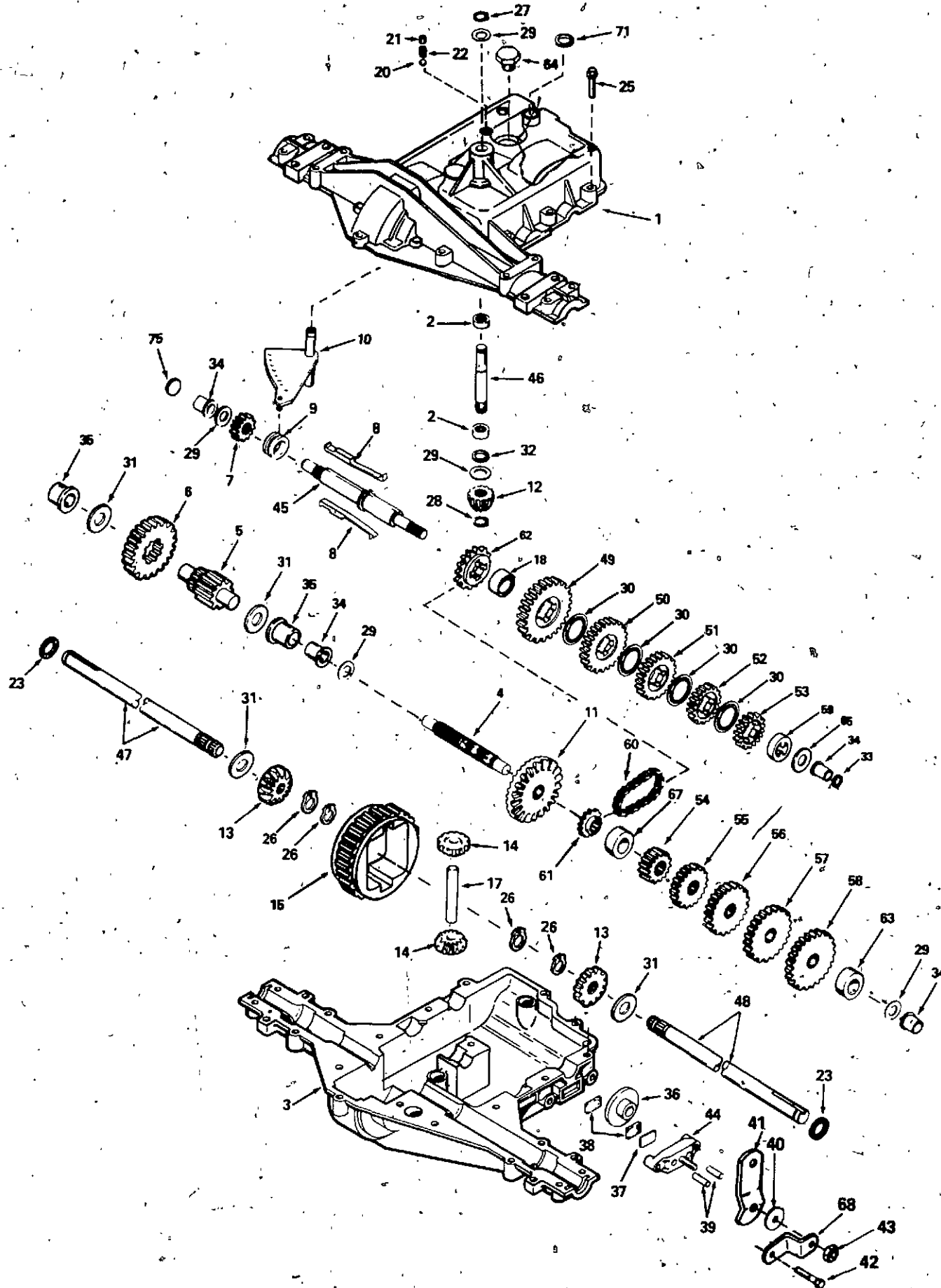
key#	part#	description	qty.
1	C35037	DECAL, NOMA LENS, LH	1
2	C35038	DECAL, NOMA LENS, RH	1
3	C35039	DECAL - INSTR. CONSOLE REAR	1
4	C35040	DECAL, INGERSOL CONSOLE RH	1
5	C35041	DECAL, INGERSOL CONSOLE LH	1
6	C35042	DECAL, CONTROL PANEL W/ LIGHTS	1
7		REFERENCE ONLY	1
8	C35043	DECAL, SHIFT, 5SP, ISO, DOM.	1
9	C35044	DECAL, PTO ENGAGEMENT, ISO	1
10	C35045	DECAL, INGERSOL LH	1
11	C35046	DECAL, INGERSOL RH	1
12	C35047	DECAL, INGERSOL REAR	1
13	C35048	DECAL, HEIGHT ADJUSTMENT	1
14	C35049	DECAL, CUT-HAND WARNING LABEL	1
15		REFERENCE ONLY	1
16	C35050	DECAL, NO STEP	1
17	C35051	DECAL, CONSOLE TOP CAUTION NOTE	1
18	C35052	NAMEPLATE, INGERSOLL	1

CUSTOMER ASSEMBLY



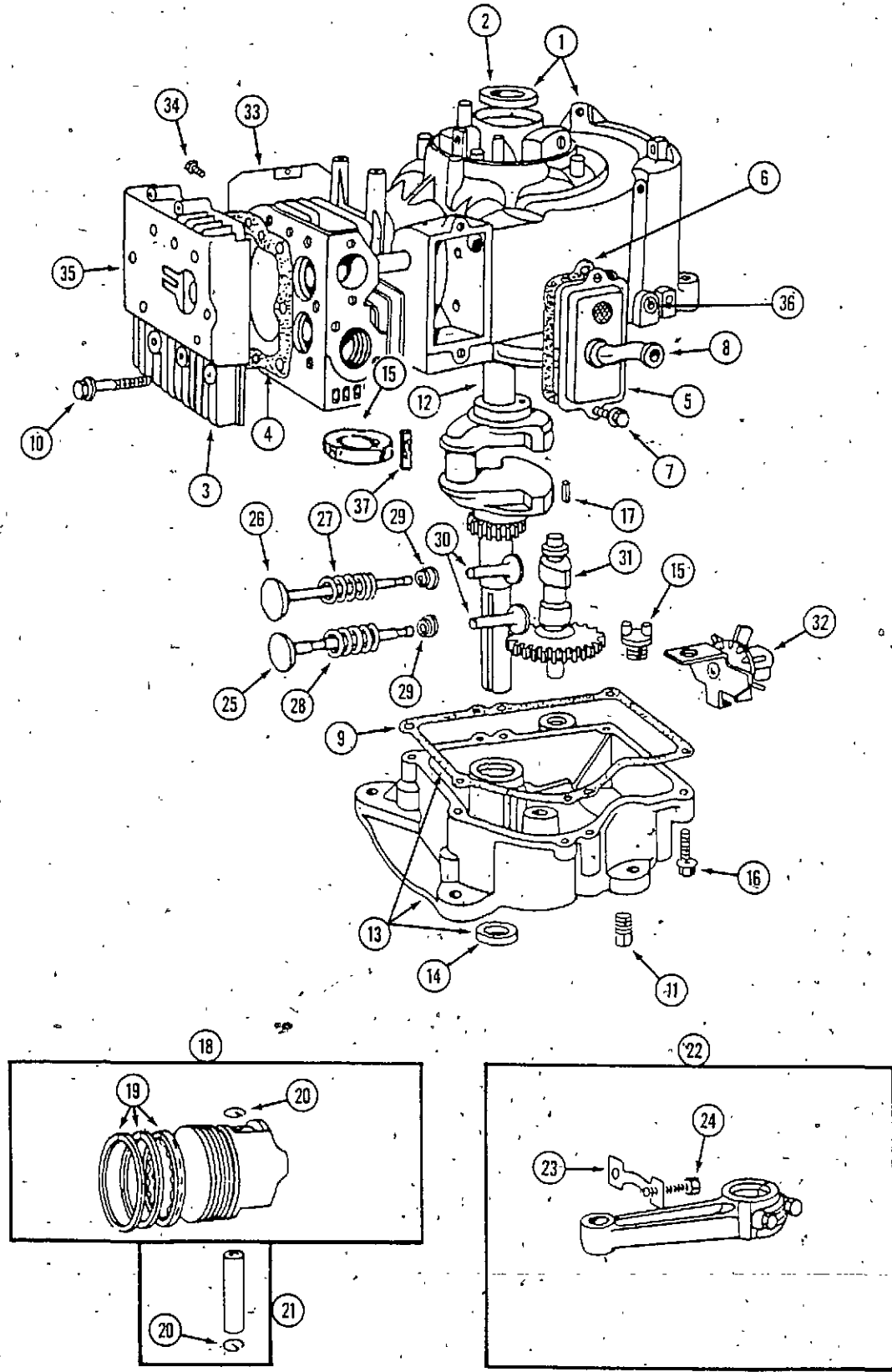
key#	part#	description	qty
1	C35053	SHIFT KNOB	2
2	C34876	WASHER, FLAT .344 X .69 X .065	4
3	C35054	WASHER, HV SPT LK .328 X .60 X .11	4
4	C34856	SCREW, 5/16 -18 X .75 HHC GR2	4
5	C35055	PIN, SPRING .187 DIA X 1.25 LG MD	1
6	C35056	PIN, SPRING .250 DIA X 2.25 LG HVPL	1
7	C35057	WHEEL, STEERING	1
8	C35058	TUBE, DECORATIVE	1
9	C35059	TUBE-STEERING	1
10	C35060	SEAT	1
11	C35061	PIN, COTTER .125 DIA X 1.25 LG Z	1
12	C35062	WASHER, FLAT .90 X 1.56 X .89	1

C34526 TRANSAXLE ASSEMBLY

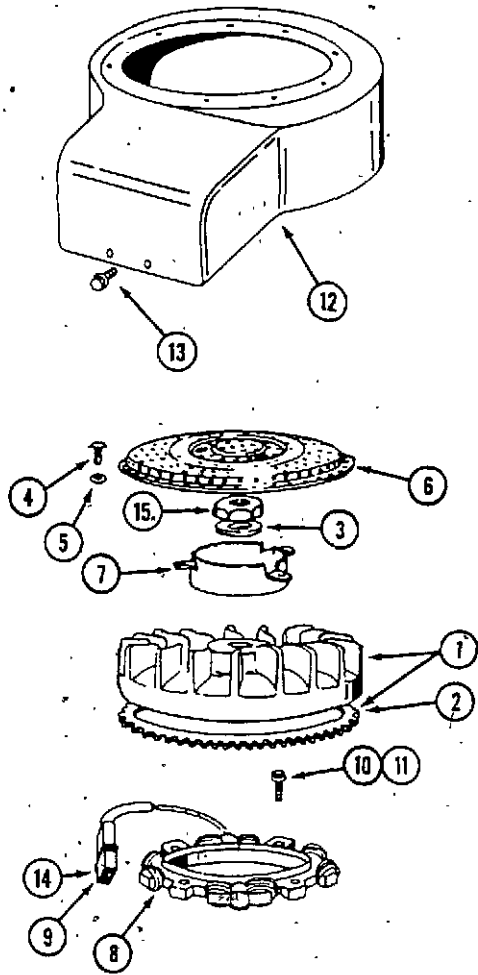


KEY	PART NO.	DESCRIPTION	
1	C34527	COVER - TRANSAXLE	1
2	C28649	BEARING - NEEDLE	1
3	C34528	CASE - TRANSAXLE	1
4	C34488	SHAFT - COUNTER	1
5	C34489	SHAFT & PINION ASSY. - OUTPUT	1
6	C27562	GEAR - OUTPUT	1
7	C27553	GEAR - SPUR 15T	1
8	C34529	KEY	1
9	C34530	COLLAR - SHIFTER	2
10	C34531	ROD & FORK ASSY. - SHIFT	1
11	C27558	GEAR - BEVEL 42T	1
12	C28652	GEAR - BEVEL PINION, INPUT	1
13	C30500	GEAR - BEVEL	2
14	C19310	GEAR - BEVEL PINION	2
15	C34494	GEAR - RING	1
17	C34495	PIN - DRIVE	1
18	C34496	SPACER	1
20	C28667	BALL - STEEL 5/16" DIA.	1
21	C34148	SCREW - SET 3/8"-16 X 3/8"	1
22	G28654	SPRING	1
23	C34497	RING - SEAL	2
25	C34147	SCREW - 1/4"-20 X 1-1/4" FLANGED, TAPPING	17
26	C34156	RING - RETAINER (PKG. OF 2)	4
27	C19347	RING - RETAINER	1
28	C19352	RING - RETAINER	1
29	C19345	WASHER - THRUST	5
30	C28664	WASHER - THRUST	4
31	C11205	WASHER	4
32	C28648	"O" RING	1
33	C27570	SEAL - SQUARE CUT	1
34	C28653	BUSHING - FLANGED	4
35	C27565	BUSHING - FLANGED	2
36	C27563	DISK - BRAKE	1
37	C19354	PLATE - BRAKE PAD	1
38	C19353	PAD - BRAKE	2
39	C28650	PIN - DOWEL	2
40	C19357	WASHER - FLAT	1
41	C34498	LEVER - BRAKE	1
42	C34147	SCREW - 1/4"-20 X 1-1/4" FLANGED, TAPPING	2
43	C19358	NUT - LOCK 5/16"-24	1
44	C34144	HOLDER - BRAKE PAD	1
45	C34532	SHAFT - BRAKE	1
46	C28651	SHAFT - INPUT	1
47	C34533	AXLE - 11-13/16" LONG	1
48	C34534	AXLE - 16-7/16" LONG	1
49	C34535	GEAR - SPUR 35T	1
50	C34503	GEAR - SPUR 27T	1
51	C28657	GEAR - SPUR 25T	1
52	C27555	GEAR - SPUR 22T	1
53	C28656	GEAR - SPUR 20T	1
54	C34536	GEAR - SPUR 15T	1
55	C34505	GEAR - SPUR 23T	1
56	C28661	GEAR - SPUR 25T	1
57	C27556	GEAR - SPUR 28T	1
58	C28662	GEAR - SPUR 30T	1
59	C34537	SPACER	1
60	C34506	CHAIN - ROLLER NO. 41, 22 LINKS	1
61	C34507	SPROCKET - 10T	1
62	C34508	SPROCKET - 14T	1
63	C34538	SPACER	1
64	C27588	PLUG - THREADED	1
65	C28663	WASHER - THRUST	1
67	C34512	SPACER	1
68	C28821	BRACKET - BRAKE LEVER	1
71	C34149	SEAL - SQUARE CUT	1
75	C34513	DISK	1

ENGINE BLOCK ASSEMBLY



KEY	PART NO.	DESCRIPTION	QTY
1	C29928	CYLINDER BLOCK - SHORT	1
2	C25709	SEAL - OIL	1
2	C29778	BEARING - CYLINDER	1
3	C29824	HEAD - CYLINDER	1
4	C30410	GASKET - CYLINDER HEAD	1
5	BR391406	BREATHER ASSEMBLY	1
6	BR27803	GASKET - VALVE COVER	1
7	187-1508	SCREW - SEHS	2
8	C25712	TUBE - BREATHER	1
9	C25713	GASKET - CRANKCASE COVER 1/64" THICK	1
9	C25714	GASKET - CRANKCASE COVER .005" THICK	1
9	C25715	GASKET - CRANKCASE COVER .009" THICK	1
10	BR93723	SCREW - CYLINDER HEAD 3" LONG	6
11	221-843	PLUG - OIL DRAIN	1
12	C34551	CRANKSHAFT	1
13	C25717	SUMP - OIL (ALSO INCLUDES KEY #9)	1
14	C25718	SEAL - OIL	1
15	C34548	ECCENTRIC	1
16	NSS	SCREW - SUMP MOUNTING* (USE 113-120 AND 192-20)	6
17	C27236	KEY - FLYWHEEL	1
18	C29826	PISTON ASSEMBLY - STANDARD	1
18	C29827	PISTON ASSEMBLY - .010" OVERSIZE	1
18	C29828	PISTON ASSEMBLY - .020" OVERSIZE	1
18	C29829	PISTON ASSEMBLY - .030" OVERSIZE	1
19	C25725	RING SET - PISTON, .010" OVERSIZE	1
19	C25726	RING SET - PISTON, .020" OVERSIZE	1
19	C25727	RING SET - PISTON, .030" OVERSIZE	1
19	C29830	RING SET - PISTON, STANDARD	1
20	C25728	LOCK - PISTON PIN	1
21	C25729	PIN ASSEMBLY - PISTON, STANDARD	1
21	C25730	PIN ASSEMBLY - PISTON, .005" OVERSIZE	1
22	C29831	ROD ASSEMBLY - CONNECTING	1
23	C25732	LOCK - CONNECTING ROD SCREW	1
24	C25733	SCREW - CONNECTING ROD	2
25	C29832	VALVE - EXHAUST	1
26	C25735	VALVE - INTAKE	1
27	BR65906	SPRING - INTAKE VALVE	1
28	BR26828	SPRING - EXHAUST VALVE	1
29	BR221596	RETAINER - VALVE	2
30	C25736	TAPPET - VALVE	2
31	C25737	CAMSHAFT	1
32	C25746	OIL SLINGER - GOVERNOR GEAR AND BRACKET ASSEMBLY	1
33	C34543	SHIELD - CYLINDER	1
34	NSS	SCREW - SHIELD MOUNTING (USE 163-18 AND 192-18)	1
35	C25752	COVER - CYLINDER HEAD	1
36	C33379	BUSHING - GOVERNOR CRANK 1/4" I.D.	1
37	C34549	PIN - ECCENTRIC	1

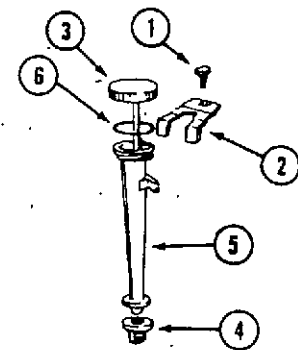


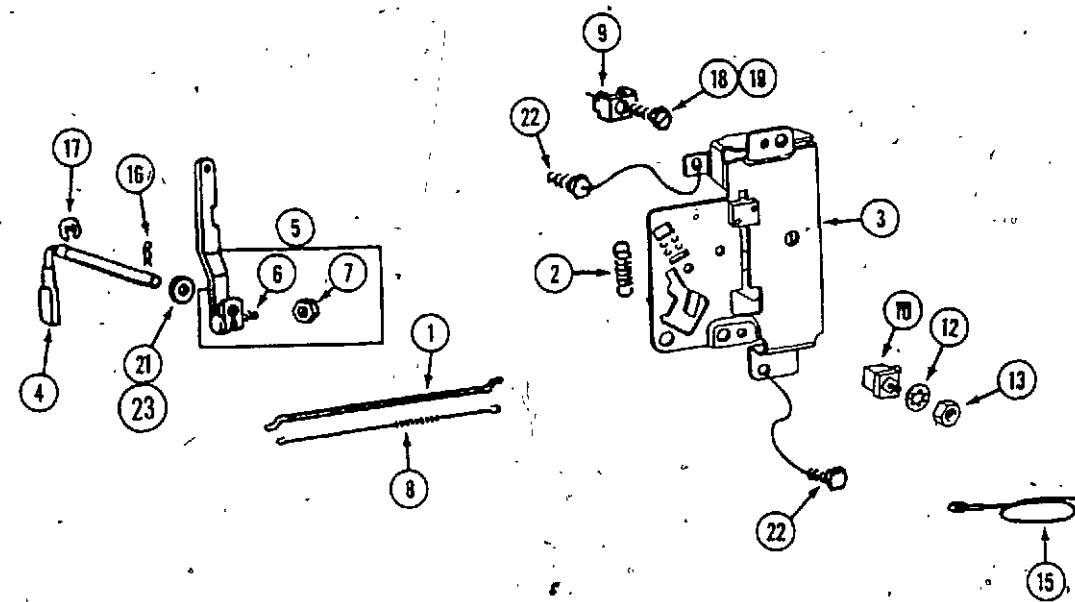
FLYWHEEL AND STATOR

KEY	PART NO.	DESCRIPTION	QTY
1	G25719	FLYWHEEL ASSEMBLY	1
2	BR392134	RING GEAR	1
3	C33317	WASHER - SPRING	1
4	182-84	SCREW - NO. 8-32 X 3/8"	1
5	193-25	LOCKWASHER - NO. 8	1
6	BR222562	SCREEN - FLYWHEEL	1
7	BR222561	CUP - SCREEN MOUNTING	1
8	C29867	STATOR - ALTERNATOR	1
9	C29865	DIODE AND CONNECTOR ASSEMBLY	1
10	182-90	SCREW --NO. 8-32 X 1"	4
11	195-10	WASHER - NO. 8	4
12	C25750	HOUSING - BLOWER	1
13	NSS	BOLT - RETAINING (USE 22-48 AND 92-4)	4
15	BR92284	NUT - FLYWHEEL	1

OIL FILL TUBE

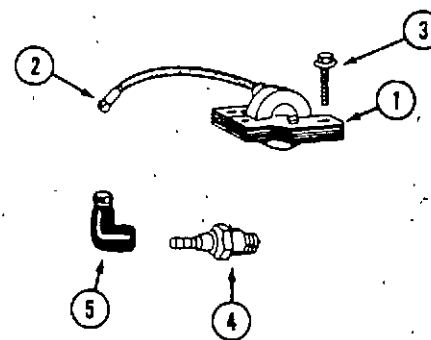
KEY	PART NO.	DESCRIPTION	QTY
1	187-1037	SCREW - CLAMP MOUNTING	1
2	BR222502	CLAMP - OIL FILLER TUBE	1
3	C30456	DIPSTICK - OIL	1
4	BR68838	SEAL - FILLER TUBE	1
5	C30457	TUBE - OIL FILLER	1
6	BR270920	SEAL - FILLER CAP	1



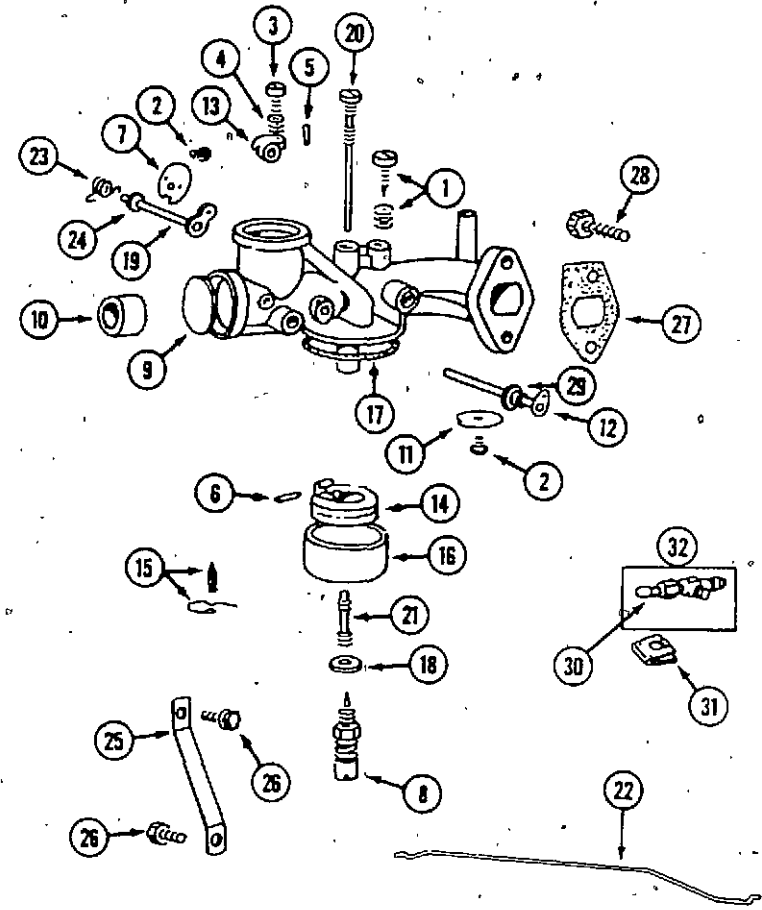


GOVERNOR PLATE

KEY	PART NO.	DESCRIPTION	QTY
1	C33374	LINK - GOVERNOR	1
2	C34547	SPRING - GOVERNOR	1
3	C29795	BRACKET - GOVERNOR	1
4	BR231058	CRANK - GOVERNOR	1
5	C33320	LEVER ASSEMBLY	1
6	11-312	BOLT - LEVER	1
7	129-17	NUT - NO. 10-24	1
8	BR260584	SPRING - GOVERNOR LINK	1
9	BR221535	CLAMP - CASING	1
10	C29794	INSULATOR ASSEMBLY	1
12	193-25	LOCKWASHER	2
13	129-6	NUT - NO. 8-32	2
15	C29796	WIRE - GROUND	1
16	136-103	PIN - COTTER HAIR PIN	1
17	C28643	RETAINER - "E" RING	1
18	163-4	SCREW	1
19	92-18	WASHER	1
21	BR222450	WASHER - GOVERNOR, CRANK	1
22	BR93804	SCREW - MOUNTING	1
23	C33380	SEAL - GOVERNOR SHAFT	1

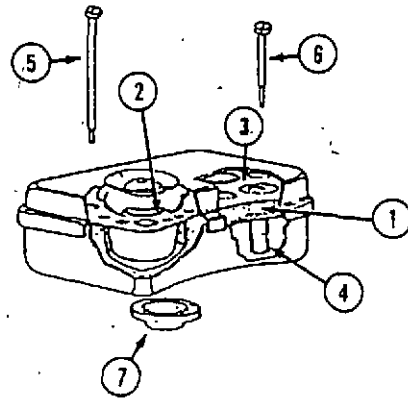


KEY	PART NO.	DESCRIPTION	QTY
1	C29785	ARMATURE - MAGNETO	1
2	BR221798	TERMINAL - IGNITION CABLE	1
3	NSS	SCREW - MOUNTING (USE 182-549 AND 195-10)	2
4	C24329	SPARK PLUG - RESISTOR	1
5	BR66538	BOOT - SPARK PLUG	1



CARBURETOR

KEY	PART NO.	DESCRIPTION	QTY
0	C27255	KIT - CARB. OVERHAUL (INCLUDES 1,6,8,9,15,17,18,20,21)	1
0	C34552	CARBURETOR	1
1	BR292681	VALVE - IDLE (INCLUDES SPRING)	1
2	BR93499	SCREW - THROTTLE AND CHOKE VALVE MOUNTING	3
3	182-87	SCREW - NO. 8-32 X 5/8"	1
4	BR26157	SPRING - THROTTLE ADJUSTMENT	1
5	138-251	PIN - THROTTLE STOP	1
6	BR230896	PIN - FLOAT HINGE	1
7	BR222010	VALVE - CHOKE	1
8	C29779	VALVE - NEEDLE	1
9	41-24	PLUG - WELCH	1
10	C34545	VENTURI	1
11	C34546	VALVE - THROTTLE	1
12	C30453	SHAFT AND LEVER - THROTTLE	1
13	BR211712	STOP - THROTTLE	1
14	BR299707	FLOAT - FUEL	1
15	C27254	VALVE - FUEL INLET	1
16	BR221995	BOWL - FLOAT	1
17	BR270511	GASKET - FLOAT BOWL	1
18	BR222014	WASHER - FLOAT BOWL	1
19	BR390684	SHAFT AND LEVER - CHOKE	1
20	BR299740	NOZZLE - FUEL	1
21	C29780	SCREW - NOZZLE	1
22	C27244	LINK - CHOKE	1
23	BR261116	SPRING - CHOKE RETURN	1
24	BR270382	WASHER - CHOKE SHAFT	1
25	C25764	BRACKET - MOUNTING	1
26	187-1510	SCREW - MOUNTING	2
27	C25738	GASKET - CARBURETOR MOUNTING	1
28	BR93357	SCREW - MOUNTING	2
29	C30405	SEAL - THROTTLE SHAFT	1
30	C27267	VALVE - FUEL SHUT OFF	1
31	C27266	HANDLE - FUEL SHUT OFF	1
32	C27268	CONNECTOR - FUEL PIPE	1

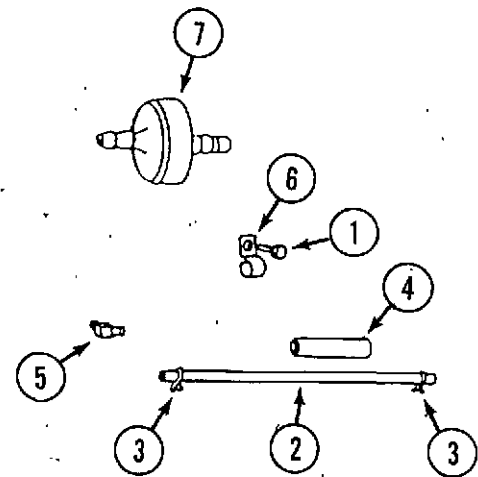


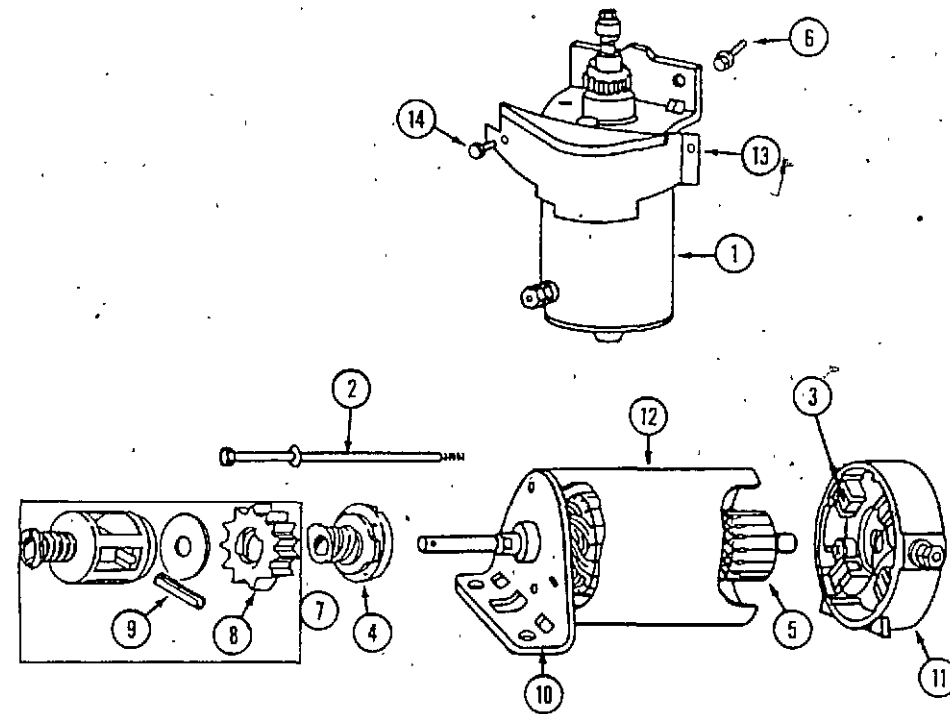
AIR CLEANER

KEY	PART NO.	DESCRIPTION	QTY
0	C25759	AIR CLEANER ASSEMBLY	1
1	C25758	ELEMENT - AIR CLEANER	1
2	C30454	CUP - AIR CLEANER	1
3	C30455	SCREEN - AIR CLEANER	1
4	C29781	SPACER - AIR CLEANER	1
5	BR93622	SCREW - AIR CLEANER (SHORT)	1
6	BR93323	SCREW - AIR CLEANER (LONG)	1
7	C25760	GASKET - AIR CLEANER	1

FUEL LINE

KEY	PART NO.	DESCRIPTION	QTY
1	BR39804	BOLT	1
2	NSS	HOSE - FUEL (USE C28937 CUT TO LENGTH)	1
3	214-251	CLAMP - HOSE	2
4	C34166	SHIELD - HEAT, FUEL HOSE	1
5	C10678	CONNECTOR - HOSE 90 DEG.	1
6	C24689	CLIP - HOSE	1
7	C31978	FILTER - FUEL	1

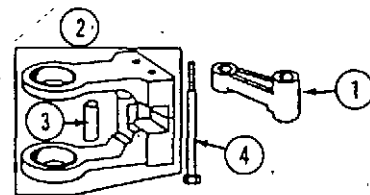


**STARTER**

KEY	PART NO.	DESCRIPTION	QTY
1	C27264	MOTOR - STARTING 12 VOLT	1
2	C27260	BOLT ASSEMBLY - THRU (INCLUDES WASHER)	2
3	C27259	BRUSH ASSEMBLY - STARTER	1
4	C27421	CLUTCH ASSEMBLY - STARTER	1
5	BR390837	ARMATURE ASSEMBLY - STARTER	1
6	NSS	SCREW - MOUNTING (USE 113-102 AND 92-5)	2
7	C27424	KIT - RETAINER	1
8	C27422	GEAR - DRIVE	1
9	138-75	PIN - ROLL	1
10	C27262	END CAP - DRIVE END	1
11	C27258	END CAP - COMMUTATOR END (INCLUDES BRUSHES)	1
12	C27263	HOUSING - STARTER	1
13	C27256	SHIELD - STARTER	1
14	187-1328	SCREW - MOUNTING	2

ENGINE COUNTERWEIGHT

KEY	PART NO.	DESCRIPTION	QTY
1	C29816	LINK - COUNTERWEIGHT	1
2	C29834	COUNTERWEIGHT ASSEMBLY	1
3	C29818	PIN - COUNTERWEIGHT	1
4	C29835	SCREW - COUNTERWEIGHT	2



NUMERICAL INDEX

PART NO.	PAGE NO.	REF. NO.	PART NO.	PAGE NO.	REF. NO.
BR 26157	35	4	C25736	29	30
BR 26828	29	28	C25737	29	31
BR 27803	29	6	C25738	35	27
BR 39804	37	1	C25746	29	32
BR 65906	29	27	C25750	31	12
BR 66538	33	5	C25758	37	1
BR 68838	31	4	C25759	37	
BR 92284	31	15	C25760	37	7
BR 93323	37	6	C25764	35	25
BR 93357	35	28	C27236	29	17
BR 93499	35	2	C27244	35	22
BR 93622	37	5	C27254	35	15
BR 93723	29	10	C27255	35	
BR 93804	33	22	C27256	39	13
BR211712	35	13	C27258	39	11
BR221535	33	9	C27259	39	3
BR221596	29	29	C27260	39	2
BR221798	33	2	C27262	39	10
BR221995	35	16	C27263	39	12
BR222010	35	7	C27264	39	1
BR222014	35	18	C27266	35	31
BR222450	33	21	C27267	35	30
BR222502	31	2	C27268	35	32
BR222561	31	7	C27421	39	4
BR222562	31	6	C27422	39	8
BR230896	35	6	C27424	39	7
BR231058	33	4	C27553	27	7
BR260584	33	8	C27555	27	52
BR261116	35	23	C27556	27	57
BR270382	35	24	C27558	27	11
BR270511	35	17	C27562	27	6
BR270920	31	6	C27563	27	36
BR292681	35	1	C27565	27	35
BR299707	35	14	C27570	27	33
BR299740	35	20	C27588	27	64
BR390684	35	19	C28643	33	17
BR390837	39	5	C28648	27	32
BR391406	29	5	C28649	27	2
BR392134	31	2	C28650	27	39
C10678	37	5	C28651	27	46
C11205	27	31	C28652	27	12
C19310	27	14	C28653	27	34
C19347	27	27	C28654	27	22
C19352	27	28	C28656	27	53
C19353	27	38	C28657	27	51
C19354	27	29	C28661	27	56
C19354	27	37	C28662	27	58
C19357	27	40	C28663	27	65
C19358	27	43	C28664	27	30
C24329	33	4	C28667	27	20
C24689	37	6	C28821	27	68
C25709	29	2	C29778	29	2
C25712	29	8	C29779	35	8
C25713	29	9	C29780	35	21
C25714	29	9	C29781	37	4
C25715	29	9	C29785	33	1
C25717	29	13	C29794	33	10
C25718	29	14	C29795	33	3
C25719	31	1	C29796	33	15
C25725	29	19	C29816	39	1
C25726	29	19	C29818	39	3
C25727	29	19	C29824	29	3
C25728	29	20	C29826	29	18
C25729	29	21	C29827	29	18
C25730	29	21	C29828	29	18
C25732	29	23	C29829	29	18
C25733	29	24	C29830	29	19
C25735	29	26	C29831	29	22

PART NO.	PAGE NO.	REF. NO.	PART NO.	PAGE NO.	REF. NO.
C29832	29	25	C29832	29	25
C29834	39	2	C29834	39	2
C29835	39	4	C29835	39	4
C29865	31	9	C29865	31	9
C29867	31	8	C29867	31	8
C29928	29	1	C29928	29	1
C30405	35	29	C30405	35	29
C30410	29	4	C30410	29	4
C30453	35	12	C30453	35	12
C30454	37	2	C30454	37	2
C30455	37	3	C30455	37	3
C30456	31	3	C30456	31	3
C30457	31	5	C30457	31	5
C30500	27	13	C30500	27	13
C31978	37	7	C31978	37	7
C33317	31	3	C33317	31	3
C33320	33	5	C33320	33	5
C33374	33	1	C33374	33	1
C33379	29	36	C33379	29	36
C33380	33	23	C33380	33	23
C34116	37	4	C34116	37	4
C34144	27	44	C34144	27	44
C34147	27	25	C34147	27	25
C34147	27	42	C34147	27	42
C34148	27	21	C34148	27	21
C34149	27	71	C34149	27	71
C34156	27	26	C34156	27	26
C34488	27	4	C34488	27	4
C34489	27	5	C34489	27	5
C34494	27	15	C34494	27	15
C34495	27	17	C34495	27	17
C34496	27	18	C34496	27	18
C34497	27	23	C34497	27	23
C34498	27	41	C34498	27	41
C34503	27	50	C34503	27	50
C34505	27	55	C34505	27	55
C34506	27	60	C34506	27	60
C34507	27	61	C34507	27	61
C34508	27	62	C34508	27	62
C34512	27	67	C34512	27	67
C34513	27	75	C34513	27	75
C34526	13	1	C34526	13	1
C34527	27	1	C34527	27	1
C34528	27	3	C34528	27	3
C34529	27	8	C34529	27	8
C34530	27	9	C34530	27	9
C34531	27	10	C34531	27	10
C34532	27	45	C34532	27	45
C34533	27	47	C34533	27	47
C34534	27	48	C34534	27	48
C34535	17	1	C34535	17	1
C34535	27	49	C34535	27	49
C34536	27	54	C34536	27	54
C34537	27	59	C34537	27	59
C34538	27	63	C34538	27	63
C34543	29	33	C34543	29	33
C34545	35	10	C34545	35	10
C34546	35	11	C34546	35	11
C34547	33	2	C34547	33	2
C34548	29	15	C34548	29	15
C34549	29	37	C34549	29	37
C34551	29	12	C34551	29	12
C34552	35		C34552	35	
C34789	15	15	C34789	15	15
C34790	5	1	C34790	5	1
C34791	5	2	C34791	5	2
C34792	5	3	C34792	5	3
C34794	5	5	C34794	5	5

NUMERICAL INDEX

PART NO.	PAGE NO.	REF. NO.	PART NO.	PAGE NO.	REF. NO.
C34794	5	24	C34816	5	32
C34794	13	34	C34817	5	35
C34794	15	35	C34818	5	37
C34794	17	9	C34819	5	38
C34795	5	6	C34820	5	39
C34796	5	8	C34821	7	1
C34796	9	11	C34822	7	2
C34796	9	19	C34822	7	7
C34796	15	13	C34823	7	3
C34796	15	49	C34824	7	4
C34796	15	54	C34825	7	5
C34796	19	3	C34826	7	6
C34797	5	7	C34826	13	50
C34797	11	16	C34827	7	8
C34798	5	9	C34828	7	9
C34798	5	16	C34829	7	11
C34798	5	33	C34830	7	2
C34798	5	36	C34830	19	28
C34798	7	13	C34831	7	14
C34798	9	12	C34832	7	15
C34798	9	20	C34833	7	16
C34798	11	18	C34833	13	47
C34798	13	6	C34833	13	71
C34798	13	9	C34833	19	35
C34798	13	13	C34834	7	17
C34798	13	32	C34835	7	18
C34798	13	49	C34836	7	20
C34798	13	57	C34837	7	19
C34798	13	72	C34838	7	21
C34798	15	29	C34839	7	22
C34798	15	38	C34840	9	1
C34798	15	51	C34841	9	2
C34798	15	56	C34841	9	6
C34798	19	2	C34842	9	3
C34798	19	22	C34842	9	7
C34798	19	27	C34842	11	13
C34798	19	29	C34842	13	37
C34798	19	32	C34843	9	4
C34798	19	38	C34843	9	8
C34798	19	45	C34843	11	14
C34799	5	10	C34843	11	21
C34800	5	13	C34844	9	5
C34800	13	11	C34845	9	9
C34800	15	37	C34846	9	10
C34801	5	14	C34846	15	53
C34802	5	15	C34847	9	13
C34803	5	17	C34848	9	14
C34805	5	19	C34848	9	26
C34806	5	20	C34849	9	15
C34806	9	24	C34850	9	17
C34806	15	11	C34851	9	18
C34806	21	16	C34852	9	21
C34807	5	21	C34853	9	22
C34808	5	22	C34854	9	23
C34809	5	23	C34855	9	25
C34810	5	25	C34856	5	11
C34811	5	27	C34856	11	2
C34812	5	28	C34856	19	31
C34813	5	29	C34856	25	4
C34814	5	30	C34857	11	3
C34814	7	10	C34857	13	8
C34814	9	16	C34857	13	12
C34814	11	8	C34858	11	4
C34814	13	45	C34859	11	5
C34814	15	3	C34860	11	6
C34814	15	7	C34861	11	7
C34814	15	22	C34862	11	9
C34815	5	31	C34863	11	10

PART NO.	PAGE NO.	REF. NO.	PART NO.	PAGE NO.	REF. NO.
C34864	11	11	C34864	11	11
C34865	11	12	C34865	11	12
C34866	11	15	C34866	11	15
C34868	11	20	C34868	11	20
C34869	11	22	C34869	11	22
C34870	11	23	C34870	11	23
C34871	11	24	C34871	11	24
C34873	13	2	C34873	13	2
C34874	13	3	C34874	13	3
C34875	13	4	C34875	13	4
C34875	13	70	C34875	13	70
C34875	15	26	C34875	15	26
C34876	5	34	C34876	5	34
C34876	11	17	C34876	11	17
C34876	13	5	C34876	13	5
C34876	13	31	C34876	13	31
C34876	13	51	C34876	13	51
C34876	15	14	C34876	15	14
C34876	15	28	C34876	15	28
C34876	15	50	C34876	15	50
C34876	17	11	C34876	17	11
C34876	25	2	C34876	25	2
C34877	1				

NUMERICAL INDEX

PART NO.	PAGE NO.	REF. NO.	PART NO.	PAGE NO.	REF. NO.	PART NO.	PAGE NO.	REF. NO.
C34918	13	64	C34982	19	8	C35050	23	16
C34919	13	66	C34983	19	9	C35051	23	17
C34920	11	26	C34983	19	12	C35052	23	18
C34920	13	67	C34984	19	1	C35053	13	65
C34921	13	69	C34985	19	10	C35053	15	41
C34922	13	73	C34986	19	11	C35053	25	1
C34922	15	27	C34987	19	13	C35054	5	12
C34922	17	19	C34988	19	14	C35054	25	3
C34922	21	15	C34989	19	15	C35055	25	5
C34923	13	74	C34990	19	16	C35056	25	6
C34924	13	75	C34991	19	17	C35057	25	7
C34925	13	76	C34992	19	18	C35058	25	8
C34926	15	1	C34993	19	19	C35059	25	9
C34927	15	2	C34994	19	20	C35060	5	26
C34928	15	4	C34995	19	21	C35060	25	10
C34929	15	5	C34996	19	23	C35061	25	11
C34930	15	6	C34997	19	24	C35062	25	12
C34931	15	8	C34998	19	25	C35064	23	11
C34932	15	10	C34999	19	26	C35067	5	4
C34933	15	12	C35000	19	30	C35440	17	25
C34934	15	16	C35002	19	33	C35752	29	35
C34935	15	17	C35003	19	36	C38404	5	18
C34936	15	18	C35004	19	37	011- 312	33	6
C34937	15	19	C35004	19	44	041- 24	35	9
C34938	15	20	C35005	19	39	092- 18	33	19
C34939	15	21	C35006	19	41	129- 6	33	13
C34940	15	24	C35007	19	42	129- 17	33	7
C34941	15	25	C35008	19	43	136- 103	33	16
C34942	15	30	C35009	19	46	138- 75	39	9
C34943	15	31	C35010	21	1	138- 251	35	5
C34944	15	32	C35011	21	2	163- 4	33	18
C34945	15	33	C35012	21	3	182- 84	31	4
C34946	15	34	C35013	21	4	182- 87	35	3
C34947	15	36	C35014	21	5	182- 90	31	10
C34948	15	39	C35015	21	6	187-1037	31	1
C34949	15	40	C35016	21	7	187-1328	39	14
C34950	15	42	C35017	21	8	187-1508	29	7
C34951	15	43	C35018	21	9	187-1510	35	26
C34952	15	44	C35019	21	10	193- 25	31	5
C34953	15	45	C35020	21	11	193- 25	33	12
C34954	15	46	C35021	21	12	195- 10	31	11
C34955	15	47	C35022	21	13	214- 251	37	3
C34956	15	48	C35023	21	14	221- 843	29	11
C34957	15	52	C35024	21	17			
C34958	17	2	C35025	21	18			
C34959	17	3	C35026	21	19			
C34960	17	4	C35027	21	20			
C34960	19	40	C35028	21	21			
C34961	17	5	C35029	21	22			
C34962	17	6	C35030	21	23			
C34963	17	7	C35031	21	24			
C34964	17	8	C35032	21	25			
C34965	17	10	C35033	21	26			
C34966	17	12	C35034	21	27			
C34967	17	13	C35035	21	28			
C34968	17	14	C35036	21	29			
C34969	17	15	C35037	23	1			
C34970	17	16	C35038	23	2			
C34971	17	17	C35039	23	3			
C34972	17	20	C35040	23	4			
C34973	17	21	C35041	23	5			
C34974	17	22	C35042	23	6			
C34975	17	23	C35043	23	8			
C34976	17	24	C35044	23	9			
C34978	19	4	C35045	23	10			
C34979	19	5	C35047	23	12			
C34980	19	6	C35048	23	13			
C34981	19	7	C35049	23	14			

INGERSOLL
 Ingersoll Equipment Co., Inc.