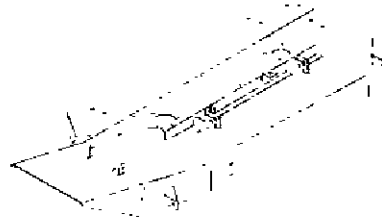


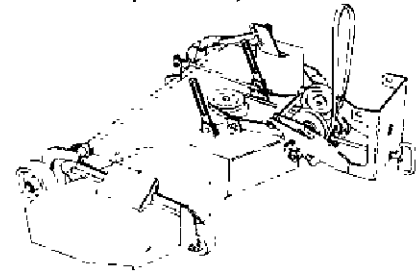


**Ingersoll**

**RM42G**



**RM38, RM44, RM48**



**RM42G MOWER**

Deck and Chute .....	5
Spindles, Belts and Pulleys.....	7
Mounting Brackets and Axle .....	9
Decals .....	39, 41

**RM38, RM44, RM44GR, RM48 MOWER**

Deck, Belts, Backside idler (RM44GR) .....	11
Deck, Belts, Backside Idler (RM38, RM44, RM48) .....	13
Mounting Bracket and Idler Pulleys .....	15
Rear Axle and Leveling Linkage .....	17
Spindles and Blades .....	17
Decals .....	39, 41

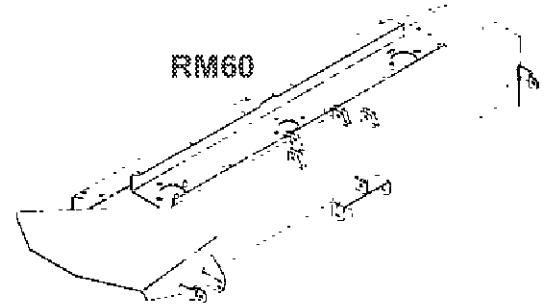
**RM60 MOWER**

Deck Belts and Deck Covers .....	19
Axle and Mounting Brackets .....	21, 23
Pulleys, Blades and Spindles.....	25
Decals .....	39,41

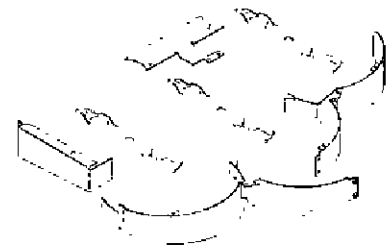
**MK44, MK48, MK48-2 MULCHING KITS**

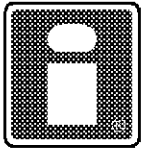
Complete parts listing .....	37
------------------------------	----

**RM60**



**MULCHING KITS**





**Ingersoll**

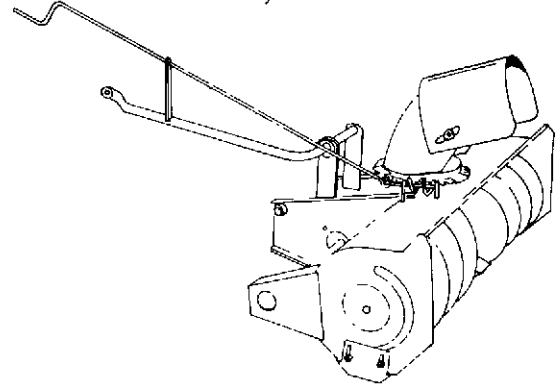
HOME

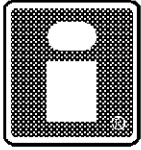
ATTACHMENTS

**SB38G, SB48 SNOWBLOWER**

Auger Housing, Chute Control and Lift Assembly .....	27
Auger and Drive Assembly .....	29
Belt and Idler System.....	31
Decals .....	39-41

SB38, SB48





**Ingersoll**

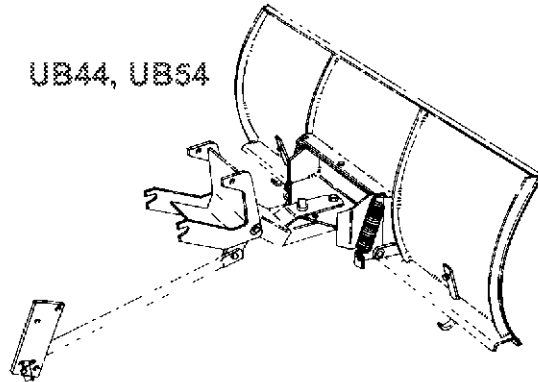
HOME

ATTACHMENTS

**UB44, UB54 UTILITY BLADE**

Blade Bracket and Lift Assembly ..... 33  
Decals..... 39, 41

UB44, UB54





**Ingersoll**

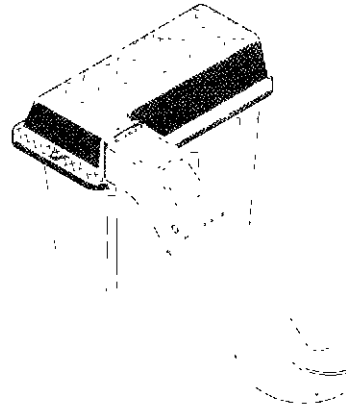
HOME

ATTACHMENTS

**BG42G BAGGER**

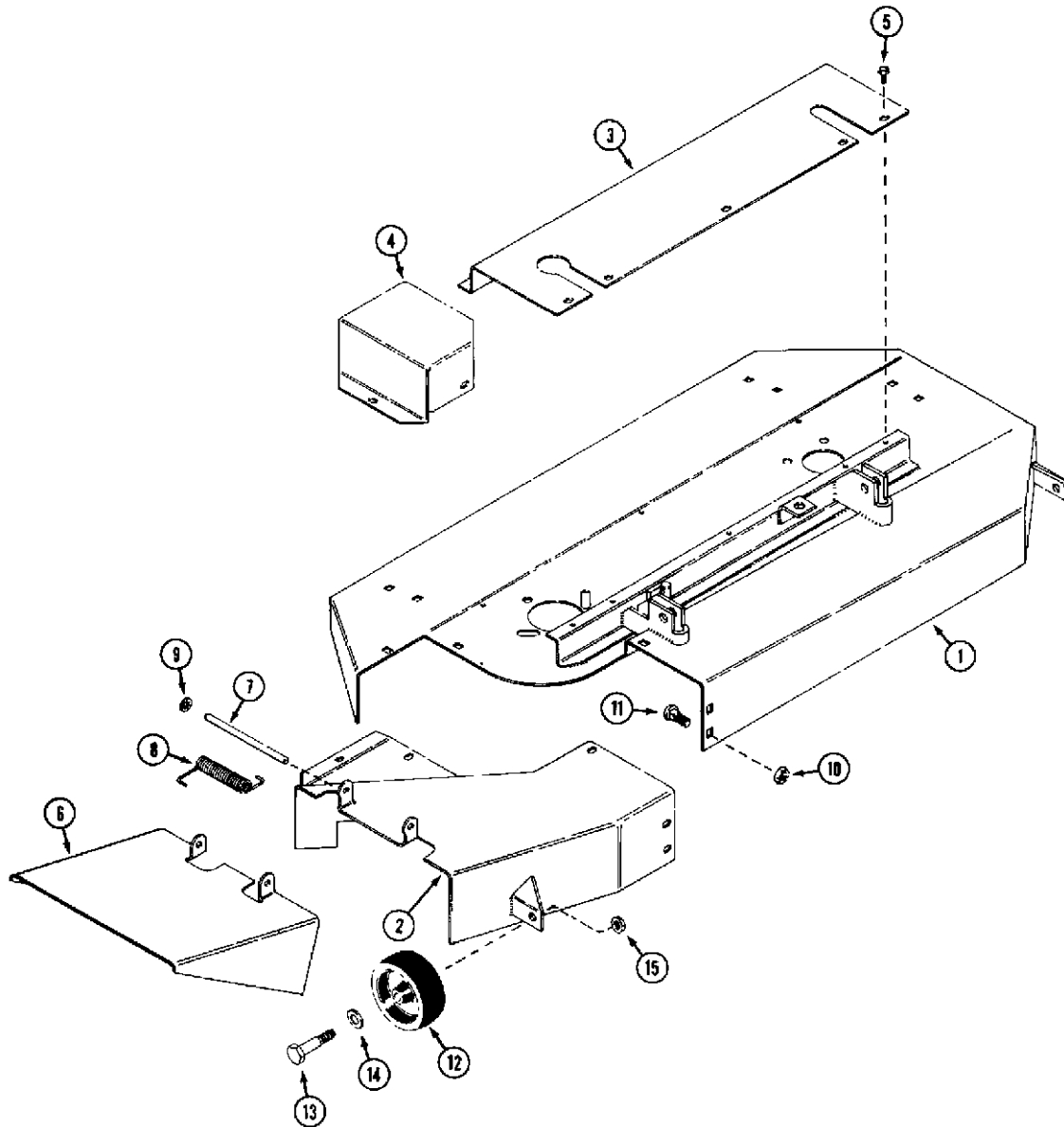
Bagger Assembly .....	35
Decals.....	39, 41

**BG42G**



INDEX

# RM42G ROTARY MOWER



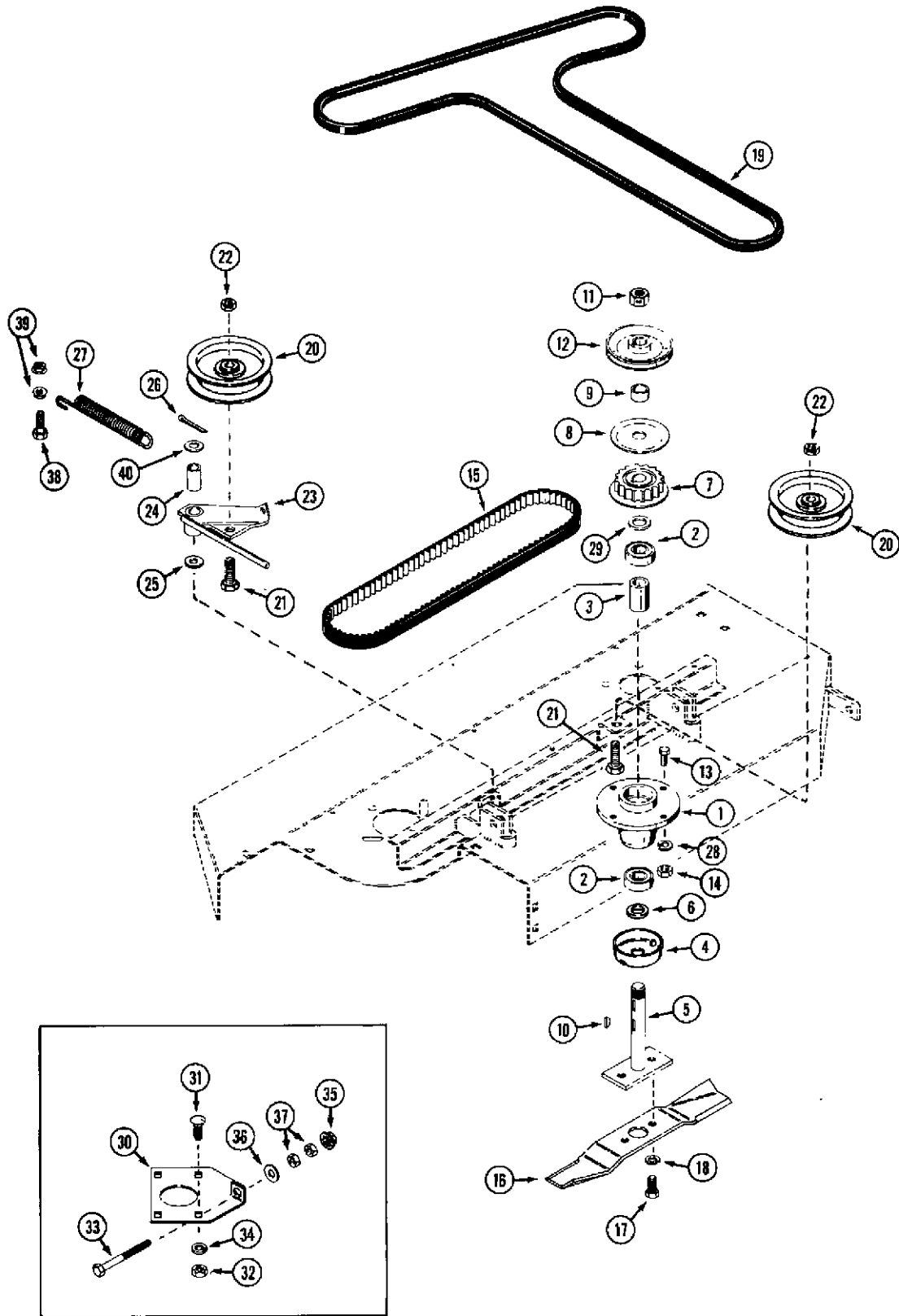
RM42G ROTARY MOWER

INDEX

DECK AND CHUTE

REF.	PART NO.	DESCRIPTION	REQ'D
1	C36805	DECK - mower.....	1
2	C36802	CHUTE - mower .....	1
3	C30738	COVER - belt.....	1
4	C30741	COVER - end, belt R.H. (shown).....	2
4	C36856	COVER - end, belt L.H.....	1
5	187-1036	SCREW - 1/4" x 1/2" self-tap.....	12
6	C30744	DEFLECTOR - chute.....	1
7	C30766	PIN-hinge .....	1
8	C30767	SPRING - hinge.....	1
9	C30768	NUT-push.....	2
10	111-217	BOLT - 5/16" x 5/8" carriage.....	6
11	131-911	NUT - 5/16" flange lock.....	6
12	C33709	WHEEL - anti scalp .....	2
13	C16745	BOLT - shoulder .....	2
14	195-533	WASHER-1/2" .....	2
15	131-938	NUT - 3/8" - 16 flange lock .....	2

RM42G ROTARY MOWER



RM42G ROTARY MOWER

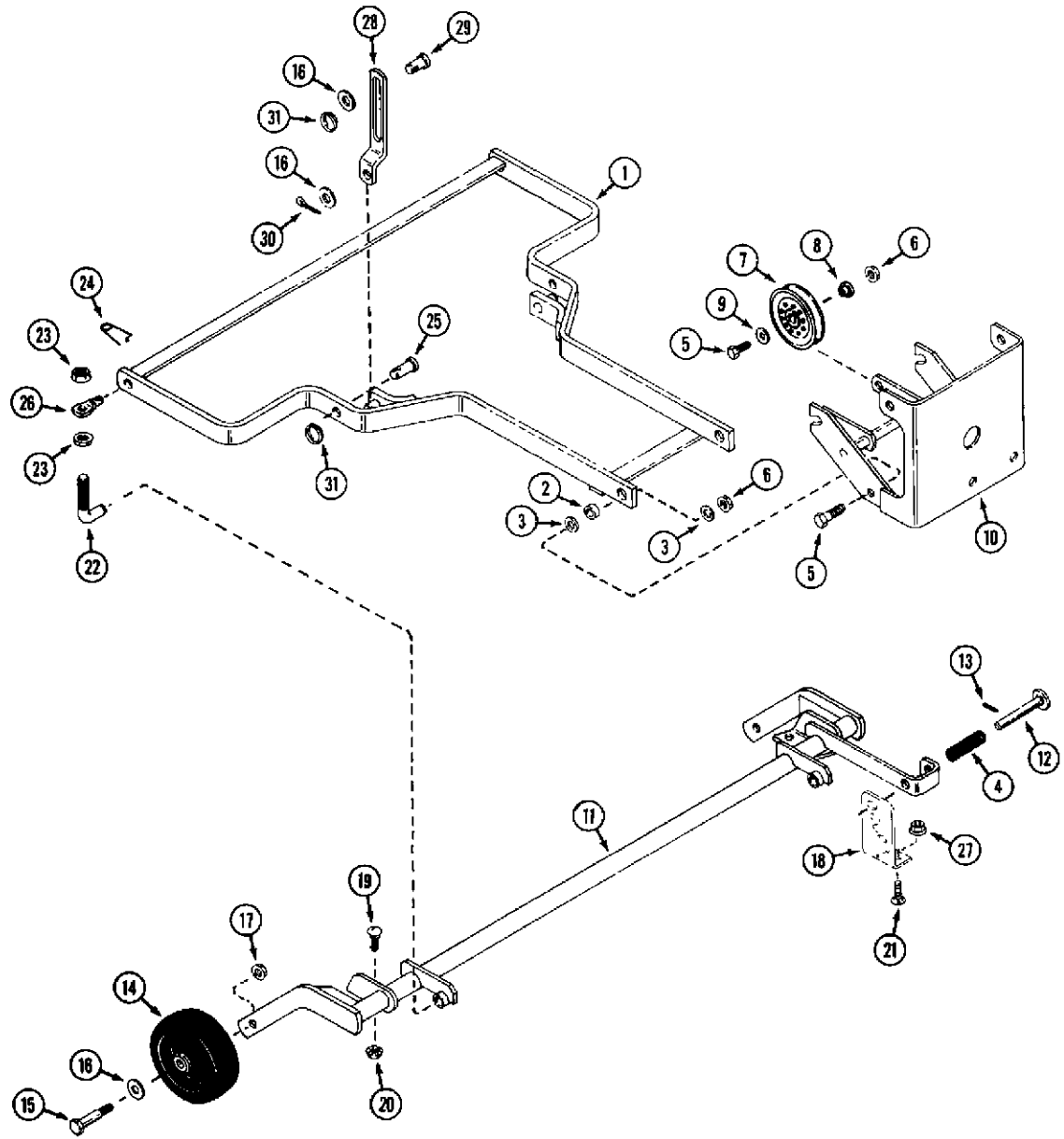
INDEX

SPINDLES, BELTS AND PULLEYS

REF	PART NO	DESCRIPTION	REQ'D
1	C30729	HOUSING - spindle .....	2
2	C28971	BEARING - spindle.....	4
3	C29453	SPACER - bearing.....	2
4	C25543	SHIELD - bearing .....	2
5	C32421	SPINDLE - mower .....	2
6	C25541	SPACER - shield .....	2
7	C37196	SPROCKET - timing .....	2
8	C30733	RETAINER - belt, timing.....	2
9	C29431	SPACER - pulley and sprocket.....	2
10	126-13	KEY - woodruff .....	4
11	131-1331	NUT - 3/4" (use .100 ft. lb. torque).....	4
12	C36813	PULLEY - drive.....	2
13	113-208	BOLT-3/8"-16 x 1-1/4" .....	4
14	129-103	NUT - 3/8".....	8
15	C30736	BELT - timing.....	1
16	C33275	BLADE - 21-3/8" .....	2
17	113-206	BOLT-3/8"x3/4" .....	4
18	192-21	LOCK WASHER - 3/8".....	4
19	C27686	BELT - drive .....	1
20	C26090	PULLEY - backside idler.....	2
21	113-410	BOLT-1/2"-13 x 1-1/2" .....	2
22	131-1182	NUT-1/2"lock .....	2
23	C36815	ARM-idler .....	1
24	C16714	BUSHING .....	1
25	195-533	WASHER.....	1
26	132-310	PIN - cotter 1/8" x 1" .....	1
27	NSS	SPRING - tension (use C36999 kit before PIN 043525).....	1
27	C36998	SPRING - tension (use PIN 043525 and after).....	1
28	192-21	LOCK WASHER - 3/8".....	8
29	C28972	WASHER.....	2
30	C30735	PLATE - adjusting, timing belt .....	1
31	111-366	BOLT - 3/8" - 16 x 1-1/4" carriage.....	4
32	129-103	NUT - 3/8" - 16 .....	4
33	123-101	BOLT-5/16"-18x4".....	1
34	192-21	LOCKWASHER - 3/8".....	4
35	131-911	NUT - 5/16" - 18 flange lock .....	1
36	195-520	WASHER - .312" I.D. x .88" O.D.....	1
37	129-102	NUT-5/16"-18 .....	2
38	113-207	BOLT-3/8"-16x 1".....	1
39	131-1352	NUT - 3/8" - 16 flange lock .....	1
40	195-2067	WASHER.....	1



# INDEX



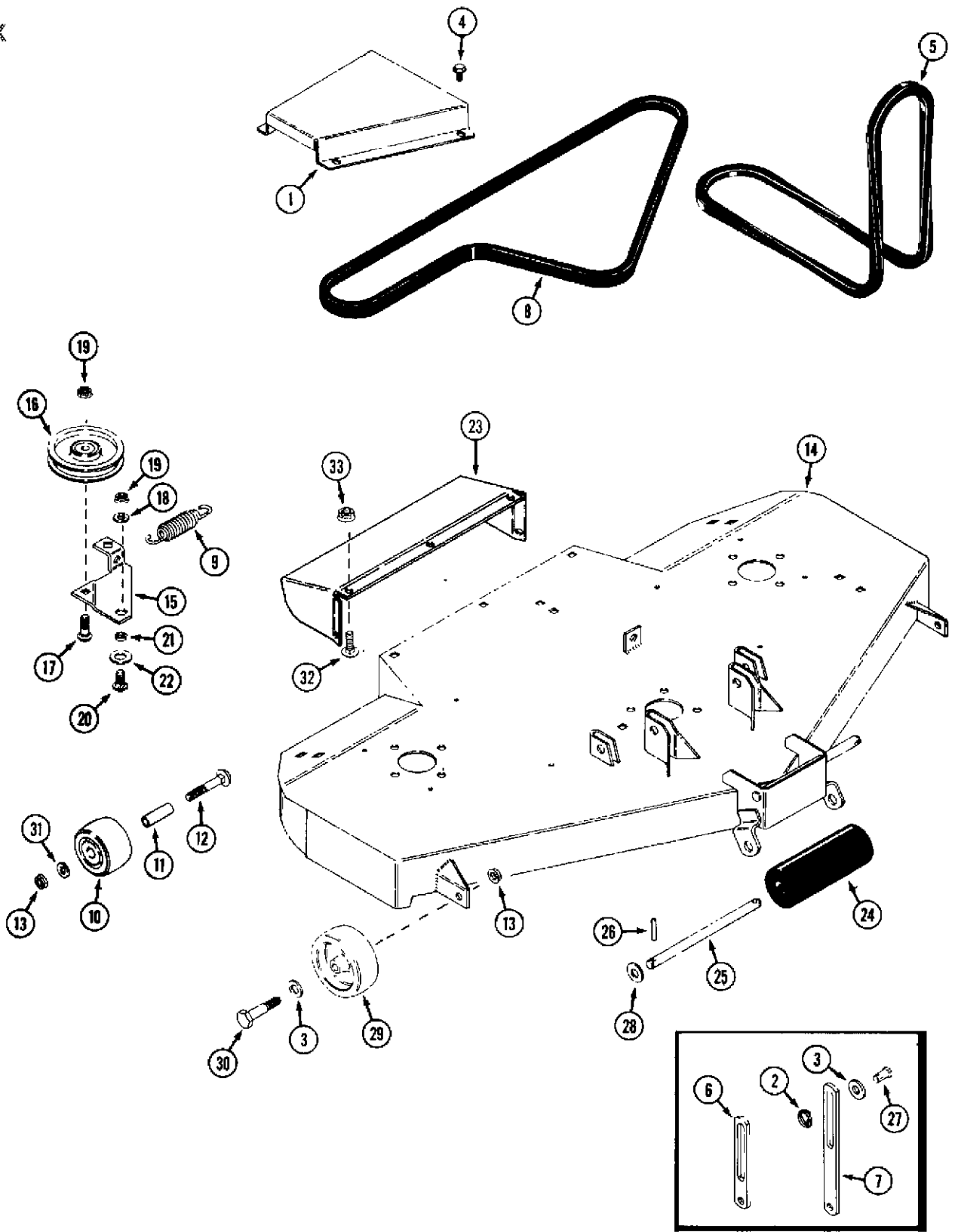
**INDEX**

**RM42G ROTARY MOWER**

**MOUNTING BRACKETS AND AXLE**

REF	PART NO.	DESCRIPTION	REQ'D
1	C36825	FRAME-tow .....	1
2	C16573	SPACER - sleeve .....	2
3	C30649	WASHER - 3/8" .....	4
4	C10482	SPRING - compression .....	1
5	113-209	BOLT-3/8"-16x1-1/2" .....	4
6	131-1352	NUT-3/8"-16 .....	4
7	C25370	PULLEY - idler "V" groove .....	2
8	C12264	BUSHING - flange .....	2
9	195-525	WASHER - 3/8" .....	2
10	C37069	BRACKET - mounting.....	1
11	C36817	AXLE-rear.....	1
12	C20005	PIN - height adjust.....	1
13	138-96	PIN - roll 3/16" x 1" .....	1
14	C26736	WHEEL - gauge .....	2
15	C16745	BOLT - shoulder .....	2
16	195-533	WASHER - 1/2" .....	8
17	131-938	NUT - 3/8" 16 lock flange.....	2
18	C36823	BRACKET - height adjust.....	2
19	111-340	BOLT - 3/8 x 3/4" carriage .....	4
20	131-938	NUT - 3/8" flange lock .....	4
21	111-132	BOLT - 5/16" x 3/4" carriage.....	2
22	C36838	BOLT - "J".....	2
23	131-930	NUT - 1/2" lock flange.....	2
24	C10898	PIN - safety.....	2
25	141-56	PIN - clevis 1/2" x 1.2" .....	2
26	C26033	LINK - adjust.....	2
27	131-911	NUT - 5/16" - 18 flange lock .....	2
28	C36839	LINK - lift.....	2
29	C10821	PIN - clevis 1/2" x 1" .....	2
30	132-310	PIN - cotter 1/8" x 1" .....	2
31	C28105	RING - retaining .....	4

INDEX



RM44GR ROTARY MOWER

INDEX

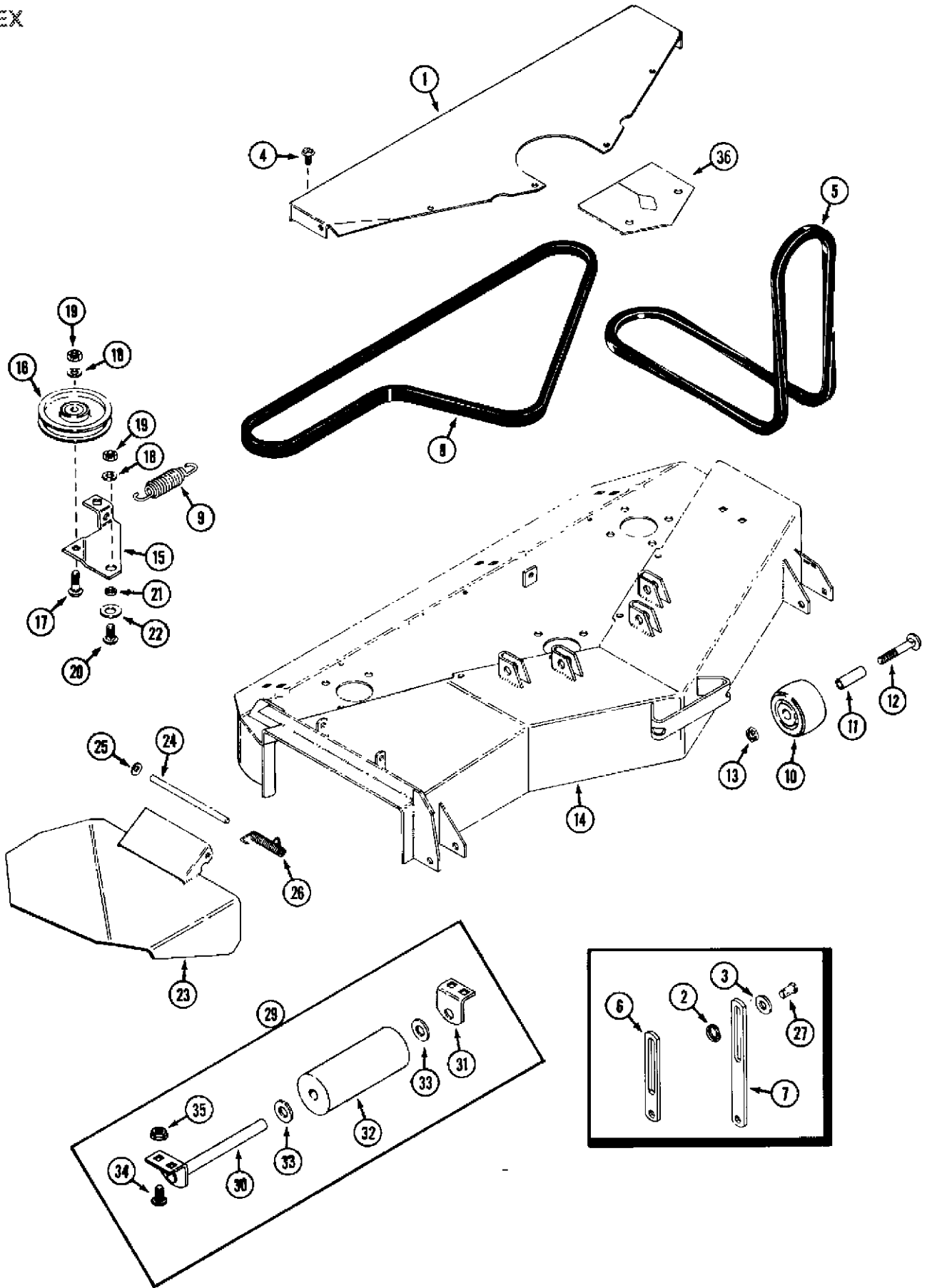
DECK, BELTS AND BACKSIDE IDLER PULLEY

1	C34718	COVER - deck belt L.H.....	1
1	C34719	COVER - deck belt R.H. (shown) .....	1
2	C28105	RING - retaining.....	4
3	195-533	WASHER - 1/2" .....	4
4	187-1036	SCREW - 1/4" x 1/2" self-tapping .....	8
5	C23358	BELT - drive (use with tractors model 3010, 3012, 3014, 3016, 3018 and 3020) .....	1
5	C23808	BELT - drive (use with tractors model 4014, 4016, 4018 and 4020)..	1
6	C26958	LINK - lift (use with 3000 series tractors).....	2
7	C34739	LINK - lift (use with 4000 series tractors).....	2
8	C23949	BELT - mower deck .....	1
9	C31606	SPRING - tension .....	1
10	C31500	ROLLER - anti-scalp, rear .....	2
11	C31501	SPACER - sleeve .....	2
12	111-375	BOLT - 3/8" - 16 x 3" carriage.....	1
13	131-938	NUT - 3/8" - 16 flange lock.....	3
14	C44663 *	DECK - mower.....	1
15	C31608	PLATE-idler .....	1
16	C12251	PULLEY - backside idler.....	1
17	111-366	BOLT - 3/8" - 16 x 1-1/4" carriage.....	1
18	195-525	WASHER - 3/8" .....	1
19	131-1352	NUT - 3/8" - 16 flange lock.....	2
20	111-371	BOLT - 3/8" 16 x 1" carriage .....	1
21	C14768	SPACER - sleeve .....	1
22	195-105	WASHER - 1/2" .....	1
23	C25409 **	DEFLECTOR - chute.....	1
24	C28977	ROLLER - 7", front.....	1
25	C26405	SHAFT - roller.....	1
26	138-106	PIN - roll 3/16" x 2-1/2" .....	1
27	C10821	PIN - clevis 1/2" x 1" .....	4
28	195-541	WASHER - 5/8" .....	1
29	C33709	WHEEL - anti-scalp, front .....	2
30	C16745	BOLT - shoulder .....	2
31	C30649	WASHER - spacer.....	1
32	111-101	BOLT - 1/4" -20 x 5/8" carriage.....	5
33	131-934	NUT - 1/4" - 20 flange .....	5

\* For decks PIN 057105 thru 057129 also order (2) of C31580 straps

\*\* NOTE: If interference exists between chute and motor tubes on 3000 series tractors, order C42827 tube kit.

INDEX



MODEL RM38, RM44 and RM48 ROTARY MOWER

INDEX

DECK, BELTS AND BACKSIDE IDLER PULLEY

REF	PART NO	DESCRIPTION	REQ'D
1	C31495	COVER - deck belt (RM38).....	1
1	C31496	COVER - deck belt (RM44).....	1
1	C31497	COVER - deck belt (RM48).....	1
2	C28105	RING - retaining.....	4
3	195-533	WASHER -1/2".....	2
4	187-1036	SCREW - 1/4" x 1/2" self-tapping.....	3
5	C23358 *	BELT - drive (use with tractors model 3000 series).....	1
5	C23808 *	BELT - drive (use with tractors model 4000 series).....	1
5	C44801 **	BELT - drive (use with 3000 series tractors).....	1
5	C44802 **	BELT - drive (use with 4000 series tractors).....	1
6	C18315	LINK - lift (use with tractors model 3010, 3012, 3014, 3016 3018 and 3020.....	2
7	C25703	LINK - lift (use with tractors model 4014, 4016, 4018 and 4020).....	2
8	C23810	BELT - mower deck (RM38).....	1
8	C23949	BELT - mower deck (RM44).....	1
8	C23950	BELT - mower deck (RM48).....	1
9	C31606	SPRING - tension.....	1
10	C31500	ROLLER - anti-scalp.....	2
11	C31501	SPACER - sleeve.....	2
12	111-375	BOLT - 3/8" - 16 x 3" carriage.....	1
12	113-241	BOLT - 3/8" -16 x 3" hex head.....	1
13	131-938	NUT - 3/8" - 16 flange lock.....	2
14	C31507 *	DECK - mower (RM38) shown.....	1
14	C31526 *	DECK - mower (RM44).....	1
14	C31535 *	DECK - mower (RM48).....	1
14	C44661 **	DECK - mower (RM48).....	1
14	C44659 **	DECK - mower (RM44).....	1
14	C44657 **	DECK - mower (RM38).....	1
15	C31608	PLATE - idler.....	1
16	C12251	PULLEY - backside idler.....	1
17	111-366	BOLT - 3/8" - 16 x 1-1/4" carriage.....	1
18	195-525	WASHER-3/8".....	2
19	131-1352	NUT - 3/8" lock.....	2
20	111-371	BOLT - 3/8" 16 x 1" carriage.....	1
21	C14768	SPACER - sleeve.....	1
22	195-105	WASHER - 1/2".....	1
23	C32958	DEFLECTOR - chute.....	1
24	C30766	ROD - pivot.....	1
25	C30768	NUT- push.....	2
26	C31505	SPRING - chute.....	1
27	C10821	PIN - clevis 1/2" x 1".....	4
29	C44560	KIT - rear roller (optional).....	1
30	NSS	BRACKET - roller (order kit).....	1
31	NSS	BRACKET - roller (order kit).....	1
32	C28977	ROLLER - 7".....	1
33	195-541	WASHER - 5/8".....	2
34	111-132	BOLT - 5/16" - 18 x 3/4" carriage.....	4
35	131-911	NUT - 5/16" - 18 flange lock.....	4
36	C47105	COVER - Center Spindle.....	1

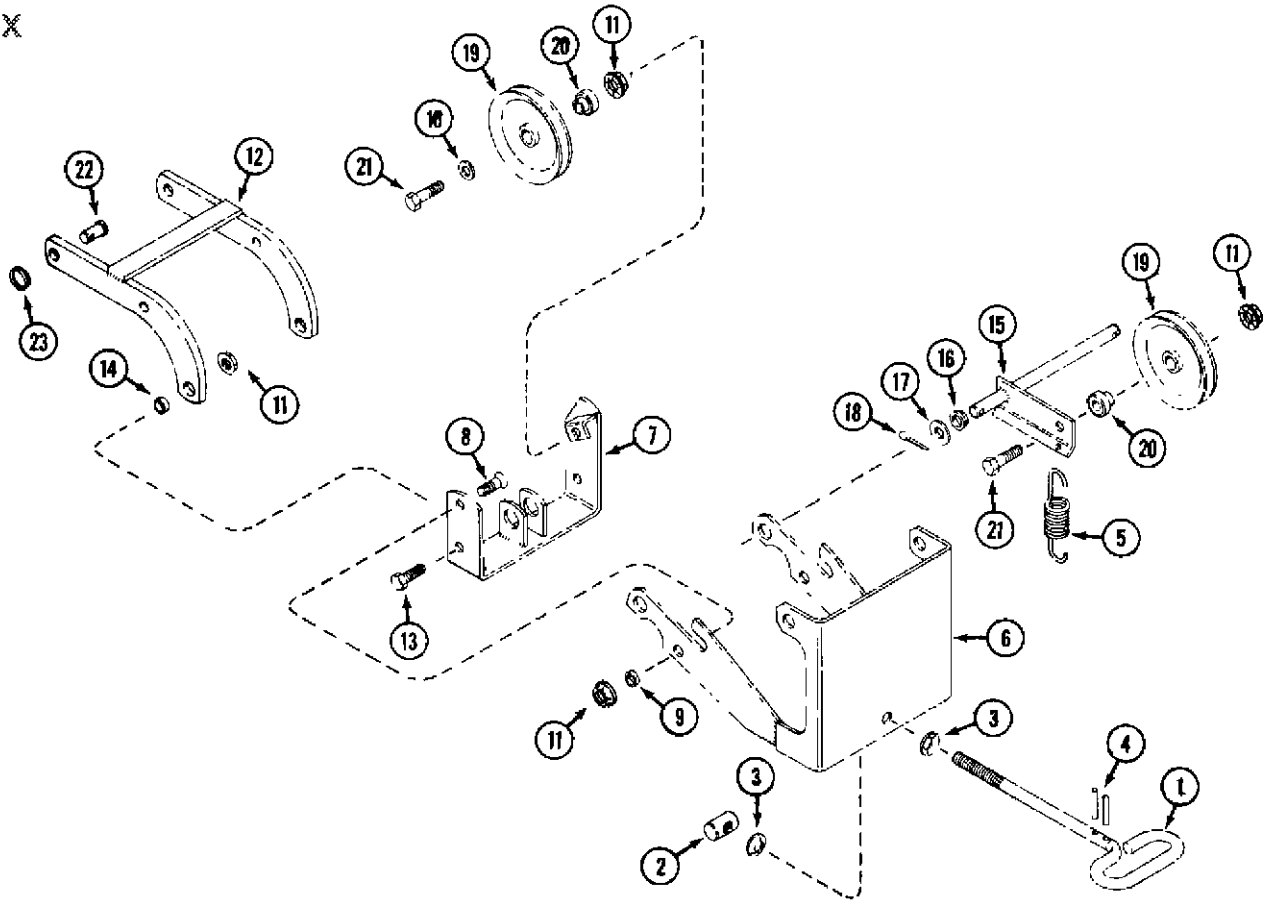
\* Use before PIN:

\*\* Use PIN and after:

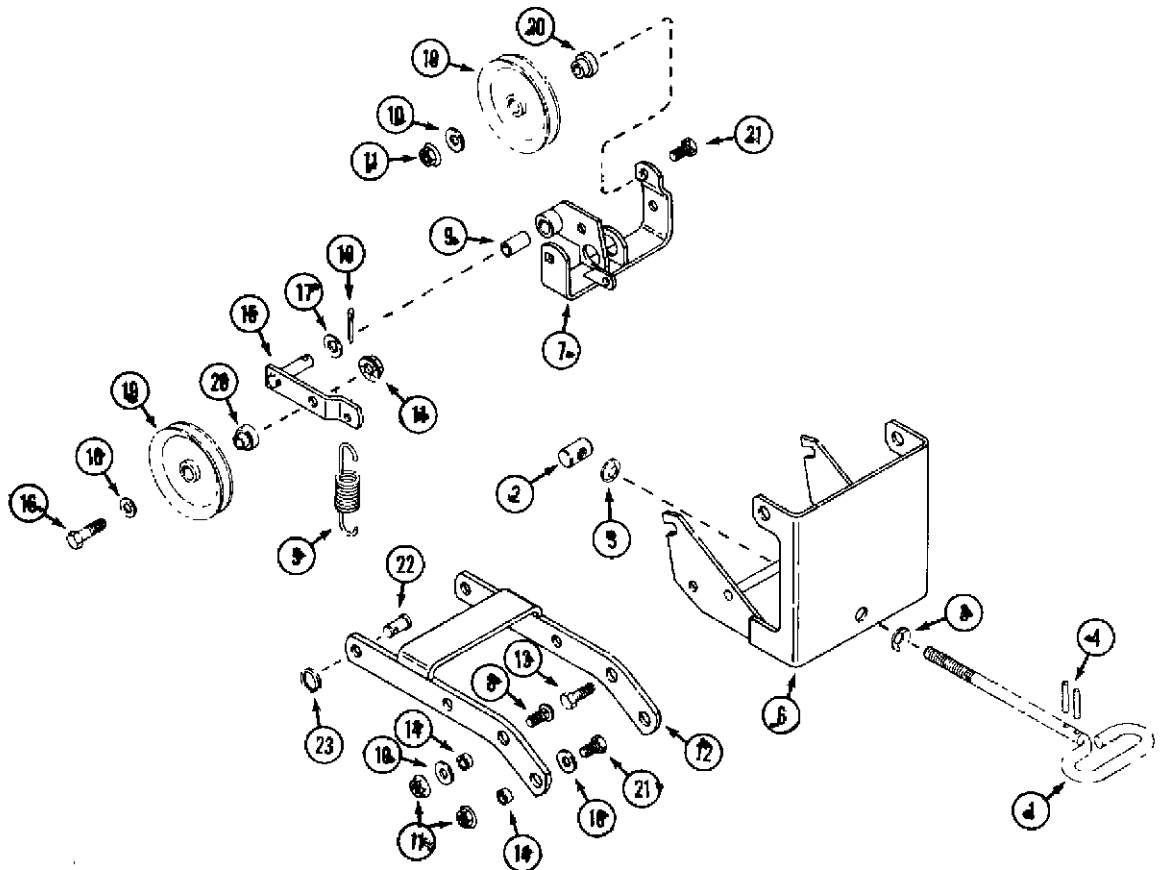
RM38 - 010308055  
 RM44 - 010307024  
 RM44GR - 010308167  
 RM48 - 010307021

See Service Bulletin 99-2

INDEX



INDEX



**RM38, RM44, RM44GR and RM48 ROTARY MOWER**

**C31581 MOUNTING BRACKET AND IDLER PULLEYS ASSEMBLY**

**INDEX**

**USE BEFORE PIN:**

**RM38-01 0308055**  
**RM44-01 0307024**  
**RM44GR-0 10308167**  
**RM48-01 0307021**

REF	PART NO	DESCRIPTION	REQ'D
1	C31582	SCREW - idler adjust.....	1
2	C14269	NUT - belt tension.....	1
3	C31583	WASHER - dished.....	2
4	138-2073	PIN - spiral 3/16" x 1-1/4".....	2
5	C21942	SPRING -tension.....	1
6	C31585	BRACKET - mounting.....	1
7	C31589	YOKE - adjusting.....	1
8	164-51	SCREW - 3/8" - 16 x 1" flat head socket.....	2
9	C14768	SPACER - sleeve.....	2
10	195-525	WASHER - 3/8".....	1
11	131-1352	NUT - 3/8" -16 flange head.....	6
12	C31593	FRAME - tow.....	1
13	113-208	BOLT - 3/8" - 16 x 1-1/4".....	2
14	C16573	SPACER-sleeve.....	2
15	C31595	ARM - idler.....	1
16	C24182	BUSHING - flange.....	2
17	195-533	WASHER-1/2".....	2
18	132-310	PIN - cotter 1/8" x 1".....	2
19	C25370	PULLEY - idler, "vee" groove.....	2
20	C12264	BUSHING - flange.....	2
21	113-209	BOLT-3/8"-16x1-1/2".....	2
22	C10821	PIN - clevis 1/2" x1".....	2
23	C28105	RING - retaining.....	2
	C44689	KIT - suspension (changes suspension to newer style).....	1

**C44669 MOUNTING BRACKET AND IDLER PULLEYS ASSEMBLY**

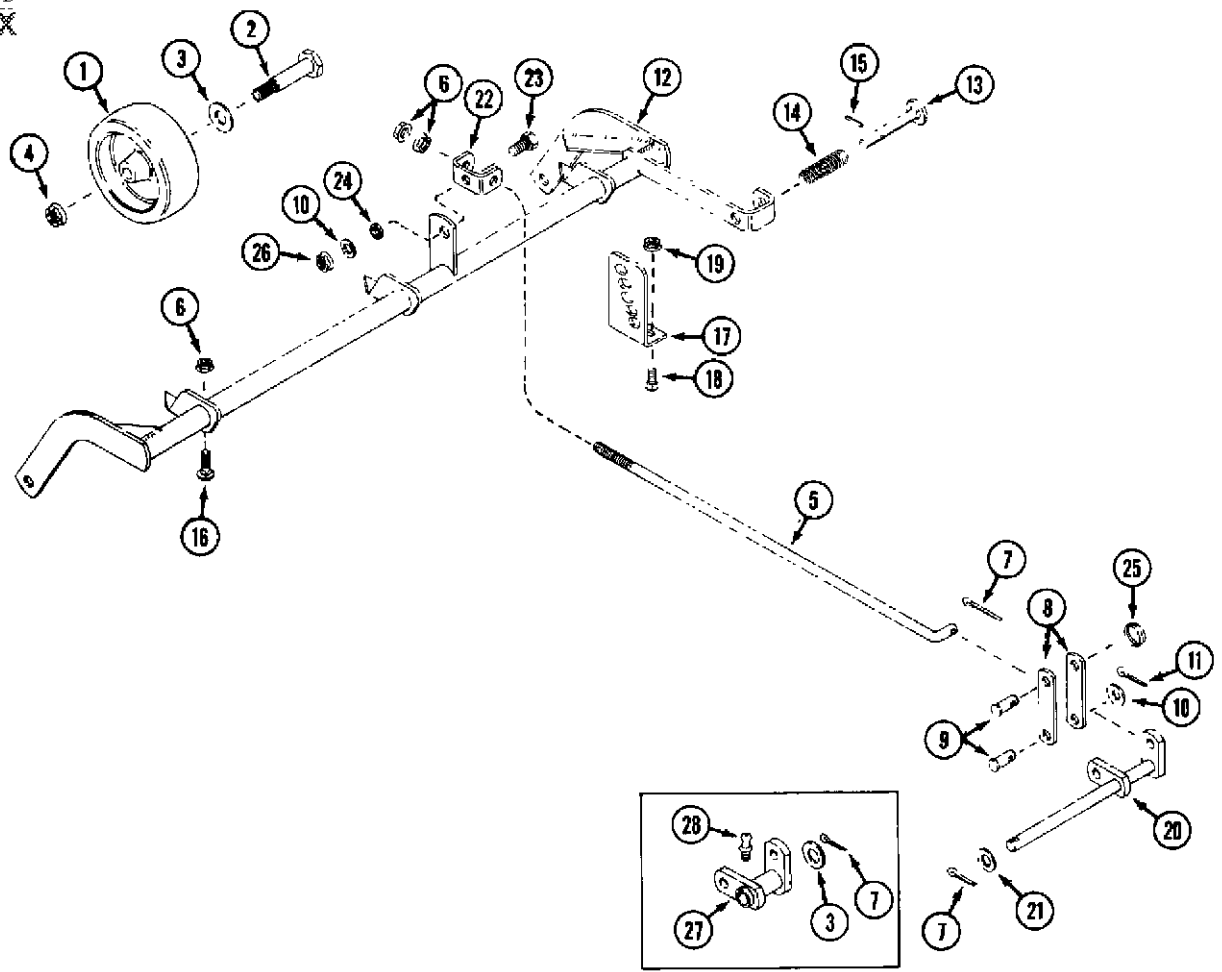
**USE PIN AND AFTER:**

**RM38 - 010308055**  
**RM44 - 010307024**  
**RM44GR - 010308167**  
**RM48 - 010307021**

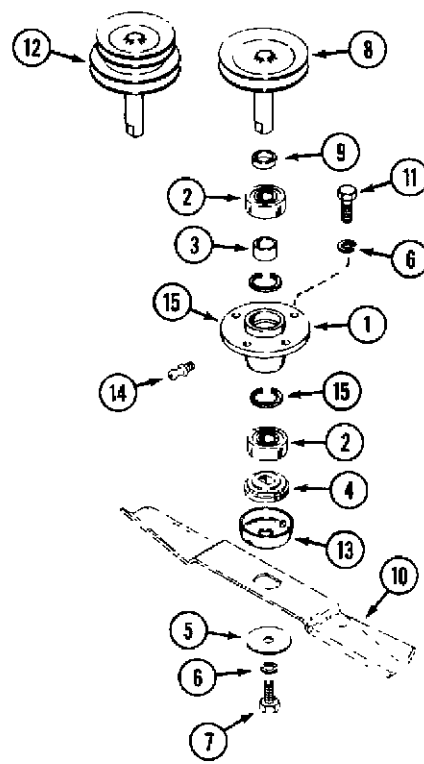
REF	PART_NO	DESCRIPTION	REQ'D
1	C31582	SCREW - idler adjust.....	1
2	C14269	NUT - belt tension.....	1
3	C31583	WASHER - dished.....	2
4	138-2073	PIN - spiral 3/16" x 1-1/4".....	2
5	C21942	SPRING - tension.....	1
6	C44672	BRACKET - mounting.....	1
7	C44676	YOKE - adjusting (includes bushing).....	1
8	111-366	BOLT - 3/8" - 16 x 1-1/4" carriage.....	1
9	C16714	BUSHING.....	2
10	195-525	WASHER-3/8".....	1
11	131-1352	NUT- 3/8" -16 flange head.....	6
12	C44683	FRAME-tow.....	1
13	113-208	BOLT-3/8"-16x1-1/4".....	1
14	C16573	SPACER-sleeve.....	4
15	C44685	ARM-idler.....	1
16	113-219	BOLT-3/8"-16x2".....	1
17	195-2067	WASHER - 1/2".....	2
18	132-310	PIN-cotter 1/8"x 1".....	2
19	C25370	PULLEY - idler, "vee" groove.....	2
20	C12264	BUSHING - flange.....	2
21	113-209	BOLT - 3/8" - 16 x 1-1/2".....	2
22	C10821	PIN - clevis 1/2" x 1".....	2
23	C28105	RING - retaining.....	2



INDEX



INDEX



# INDEX

## RM38, RM44, RM44GR and RM48 ROTARY MOWER

### REAR AXLE AND LEVELING LINKAGE

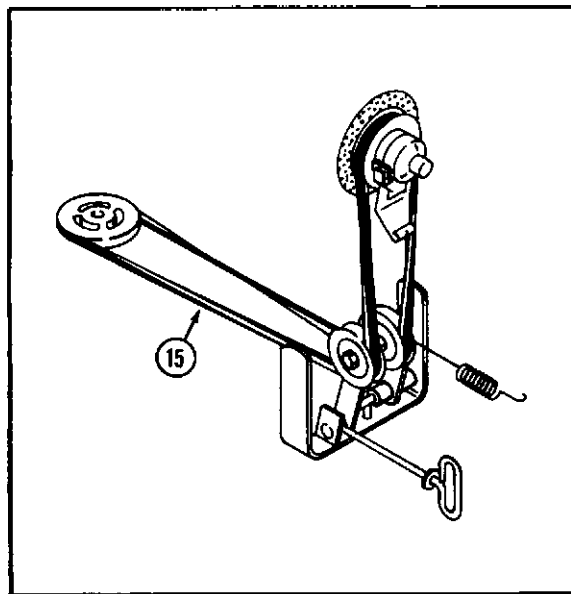
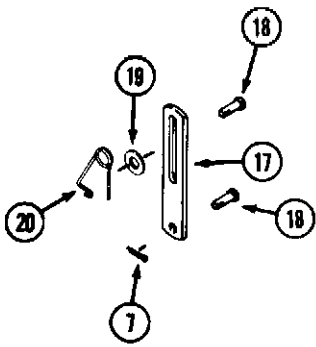
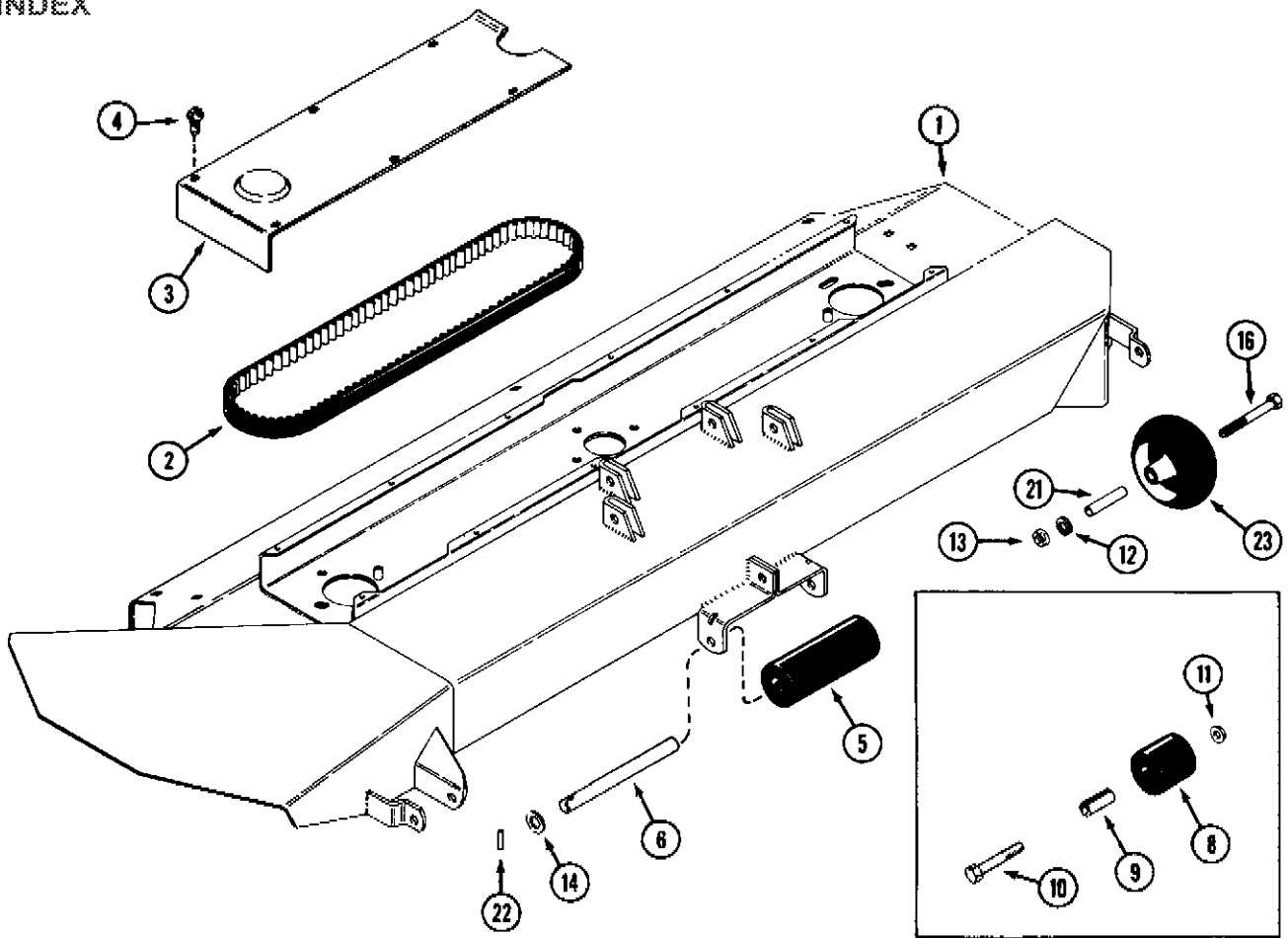
REF	PART NO	DESCRIPTION	REQ D
1	C25682	WHEEL - gauge 6" . . . . .	2
1	C31498	WHEEL - gauge 5" . . . . .	2
2	C31499	BOLT - shoulder . . . . .	2
3	195-541	WASHER - .656" x 1.312" . . . . .	4
4	131-930	NUT - 1/2" - 13 flange lock . . . . .	2
5	C31576	ROD - level adjust (RM38) . . . . .	1
5	C31577	ROD - level adjust (RM44) (RM44GR) (RM48) . . . . .	1
6	131-938	NUT - 3/8" - 16 flange lock . . . . .	8
7	132-310	PIN - cotter 1/8" x 1" . . . . .	2
8	C31580 *	STRAP - connector (for RM44GR bend if required) . . . . .	2
8	C44655 * *	STRAP - connector . . . . .	2
9	141-54	PIN-clevis 3/8"x 1" . . . . .	1
9	C10821	PIN - clevis 1/2" x 7/8" . . . . .	2
10	195-525	WASHER-3/8" . . . . .	1
11	132-320	PIN-cotter 3/32"x 3/4" . . . . .	1
12	C31546	AXLE - mower (RM38) . . . . .	1
12	C31547	AXLE - mower (RM44) . . . . .	1
12	C31548	AXLE - mower (RM48) . . . . .	1
12	C44791	AXLE - mower (RM44GR) . . . . .	1
13	C20005	PIN - locking . . . . .	1
14	C10482	SPRING - compression . . . . .	1
15	138-96	PIN - roll 3/16" x 1" . . . . .	1
16	111-340	BOLT - 3/8" - 16 x 3/4" carriage . . . . .	UAR
16	121-228	BOLT - 3/8" - 16 x 3/4" flange lock (RM44GR) . . . . .	2
17	C15935	BRACKET - height adjust (RM38, RM44, RM48) shown . . . . .	1
17	C34734	BRACKET - height adjust (RM44GR) . . . . .	1
18	111-132	BOLT - 5/16" - 18 x 3/4" carriage . . . . .	2
19	131-911	NUT - 5/16" - 18 flange lock . . . . .	2
20	C37327 *	BELLCRANK - leveling (RM38, RM44, RM48) . . . . .	1
21	195-533	WASHER - 1/2" . . . . .	1
22	C31579	BRACKET - channel . . . . .	1
23	113-207	BOLT - 3/8" - 16 x 1" . . . . .	1
24	C14768	SPACER - sleeve . . . . .	1
25	C28105	RING - retaining . . . . .	1
26	131-1352	NUT - 3/8" - 16 flange head . . . . .	1
27	C34735 *	BELLCRANK - leveling (RM44GR) . . . . .	1
27	C44667 * *	BELLCRANK - leveling . . . . .	1
28	219-403	Fitting - lubrication . . . . .	1

\*USE BEFORE PIN                      RM38 - 010308055  
    RM44 - 010307924  
 \*\*USE PIN AND AFTER                RM44GR - 010308167  
    RM48 - 010307021

### SPINDLES AND BLADES

	C45899	ASSEMBLY – Spindle Housing, includes items 1, 2, 3, 14, and 15 . . . . .	3
1	NSS	HOUSING - spindle (use C40722, 219-20 and (2) C16516) . . . . .	3
2	C28971	BEARING - spindle . . . . .	6
3	C10810	SPACER - bearing . . . . .	3
4	C25542	ADAPTER - blade . . . . .	3
5	C31452	WASHER - 3/8" x 2" . . . . .	3
6	192-21	LOCK WASHER - 3/8" . . . . .	15
7	113-209	BOLT - 3/8" - 16 x 1-1/2" (use 35 ft lb. or torque) . . . . .	3
8	C31566	SPINDLE - outboard . . . . .	2
9	C29431	SPACER - spindle . . . . .	3
10	C31570	BLADE - 13-1/2" (RM38) . . . . .	3
10	C31571	BLADE - 15-1/2" (RM44, RM44GR) . . . . .	3
10	C31572	BLADE - 17" (RM48) . . . . .	3
11	113-206	BOLT - 3/8" - 16 x 3/4" (use 15 ft lb. of torque) . . . . .	12
12	C31558	SPINDLE - center (RM38) . . . . .	1
12	C31559	SPINDLE - center (RM44, RM44GR) . . . . .	1
12	C31560	SPINDLE - center (RM48) . . . . .	1
13	C25544	SHIELD - bearing . . . . .	3
14	219-20	FITTING - lubrication 1/4" - 28 (if used) . . . . .	3
15	C16518	Ring-retaining . . . . .	2

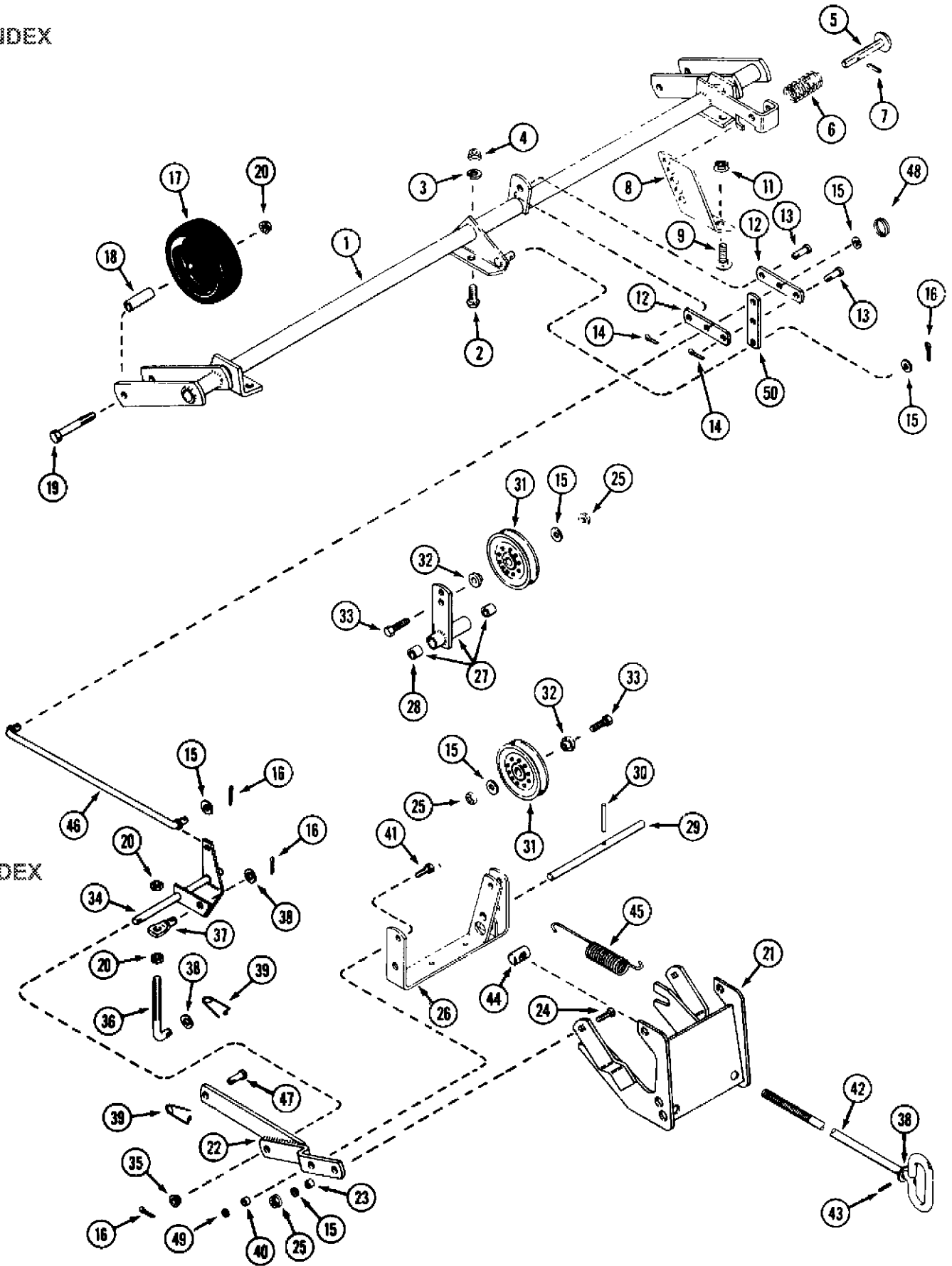
INDEX



**INDEX****RM60 ROTARY MOWER****DECK, BELTS AND DECK COVERS**

REF.	PART NO.	DESCRIPTION	REQ'D
1	C31385	DECK - mower 60" (1520mm) .....	1
2	C25687	BELT - spindle drive .....	2
3	C25689	GUARD - deck belt .....	2
4	187-1036	SCREW - 1/4" - 20 x 1/2" self-tapping .....	12
5	C28977	ROLLER - 2-1/2" x 7" (63.5 x 177.8 mm) .....	1
6	C26405	SHAFT - roller .....	1
7	132-310	PIN - cotter 1/8" x 1" (3 17 x 25.4mm) .....	2
8	C28976	ROLLER - 2-1/2" x 2-3/8" (63.5 x 60.32 mm) rear .....	2
9	C25620	SPACER - sleeve .....	4
10	113-447	BOLT-1/2"-13x3"hex .....	4
11	131-930	NUT - lock 1/2" hex flange .....	6
12	192-21	LOCK WASHER - 3/8" (early production) .....	2
13	131-938	NUT - 3/8" - 16 flange lock .....	2
14	195-541	WASHER - 5/8" .....	1
15	C26653	BELT - "V" mower drive .....	1
16	113-252	BOLT-3/8"-16"x3-3/4" .....	2
17	C26958	LINK - mower lift 8" .....	2
18	C10821	PIN -clevis .....	2
19	195-533	WASHER - 1/2" .....	2
20	C10898	PIN - retaining, special .....	2
21	C27731	SPACER - sleeve .....	2
22	138-106	PIN-roll 3/16" x 2-1/2" .....	1
23	C27730	WHEEL - anti-scalp (use before PIN 010308212) .....	2
23	C44872	WHEEL - anti-scalp (use PIN 010308212 and after) .....	2

INDEX



INDEX

RM60 ROTARY MOWER

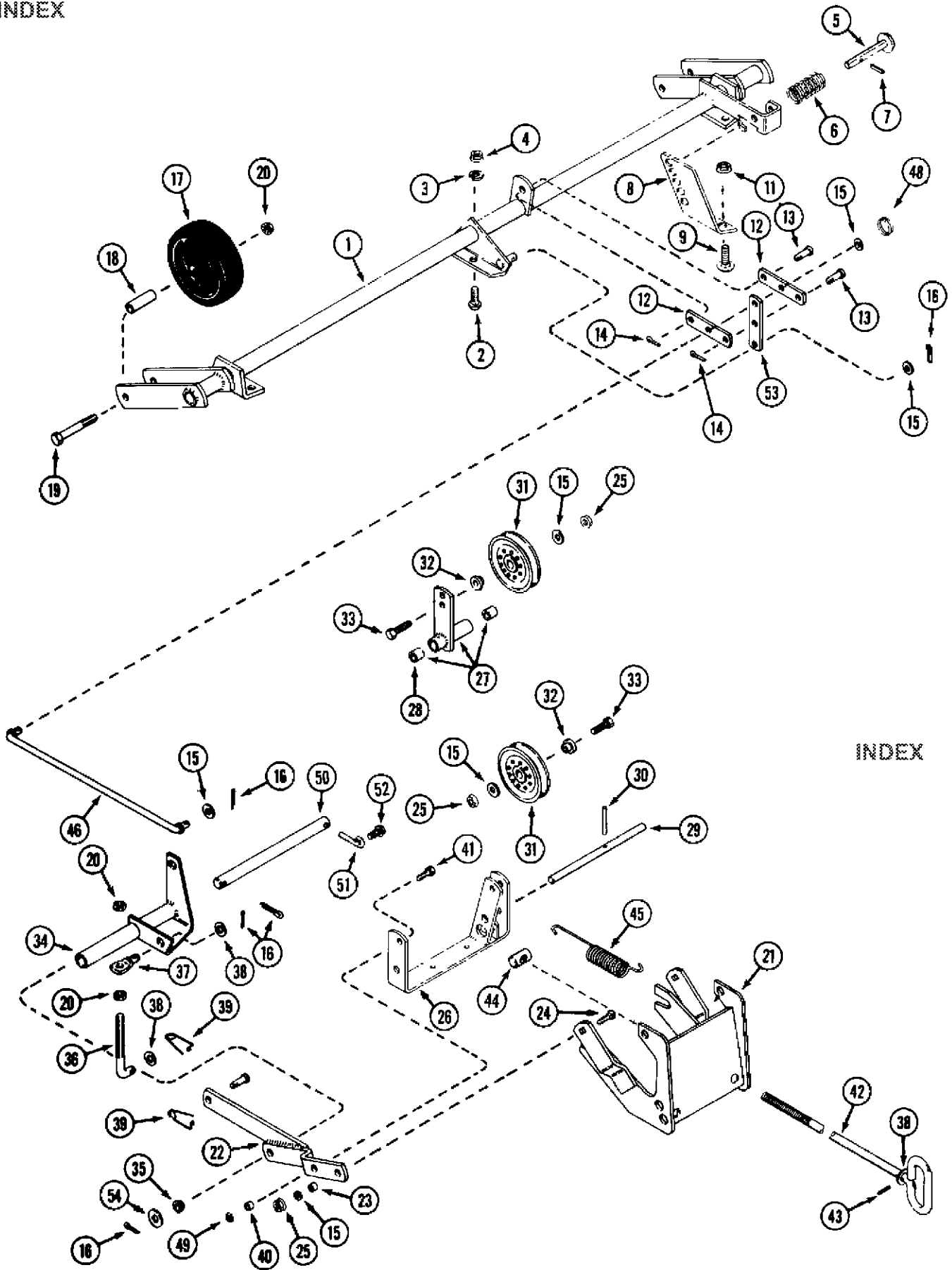
INDEX

AXLE AND MOUNTING BRACKETS

(use before PIN 010306016)

REF	PART NO	DESCRIPTION	REQ D
1	C31395	AXLE -rear.....	1
2	111-340	BOLT - carriage 3/8" - 16 x 3/4" .	6
3	192-21	LOCK WASHER - 3/8" (early production)	6
4	131-938	NUT - 3/8" - 16 hex flange lock ..	6
5	C20005	PIN - locking .	1
6	C10482	SPRING - tension	1
7	138-96	PIN -roll.....	1
8	C15935	BRACKET - height adjust.	1
9	111-132	BOLT - carriage 5/16" - 18 x 3/4" .	2
10	193-29	LOCK WASHER - 5/16" ..	2
11	131-911	NUT - 5/16" - 18 flange lock .....	2
12	C26384	LINK-rock arm .....	3
13	141-4	PIN - clevis 3/8" .....	2
14	132-321	PIN - cotter 3/32" x 1" .....	2
15	195-525	WASHER-3/8" .....	8
16	132-310	PIN - cotter 1/8" x 1" .....	7
17	C25682	WHEEL - height adjust .....	2
18	C25683	SPACER - sleeve .....	2
19	113-447	BOLT - 1/2" - 13 x 3-1/2" .....	2
20	131-930	NUT - lock 1/2" - 13 hex flange .....	4
	C31397	CARRIAGE ASSEMBLY .....	1
21	C31399	BRACKET - front mounting .....	1
22	NSS	LINK - tow R.H. (shown) (Use C46374 kit) .....	1
22	NSS	LINK - tow L.H. (Use 046374 kit).....	1
23	C16573	SPACER - sleeve .....	2
24	111-366	BOLT - carriage 3/8." - 16 x 1-1/4" .....	2
25	131-1352	NUT - lock 3/8" - 16 hex flange .....	4
26	C31401	BRACKET - idler pulleys .....	1
27	C26394	ARM - idler pulley .....	1
28	C17597	BEARING - sleeve.....	2
29	C26390	SHAFT - pivot, pulley arm .....	1
30	138-106	PIN - roll 3/16" x 2-1/2" .....	1
31	C25370	PULLEY - idler.....	2
32	C12264	BUSHING - pulley....	2
33	113-209	BOLT - 3/8" - 16 x 1-1/2" hex .....	2
34	NSS	BELL CRANK - (Use 046374 kit) .....	1
35	C24182	BUSHING - flange ...	2
36	C19502	BOLT- "J".....	1
37	C26033	PIN - adjust..	1
38	195-533	WASHER - 1/2" ..	3
39	C10898	PIN-safety.....	3
40	C16573	SPACER - sleeve .....	2
41	113-207	BOLT - 3/8" - 16 x 1" hex .....	2
42	C26890	SCREW - idler adjust .....	1
43	138-92	PIN - roll 3/16" x 3/4" .....	2
44	C14269	NUT - adjust, special .....	1
45	C26386	SPRING - tension .....	1
46	C26385	LINK - leveler.....	1
47	C10821	PIN - clevis .....	2
48	C28105	Ring - retaining .....	1
49	131-938	NUT - 3/8" - 16 flange head.....	2
50	C44638	LINK - rock arm .....	1

INDEX



INDEX

# RM60 ROTARY MOWER

## INDEX

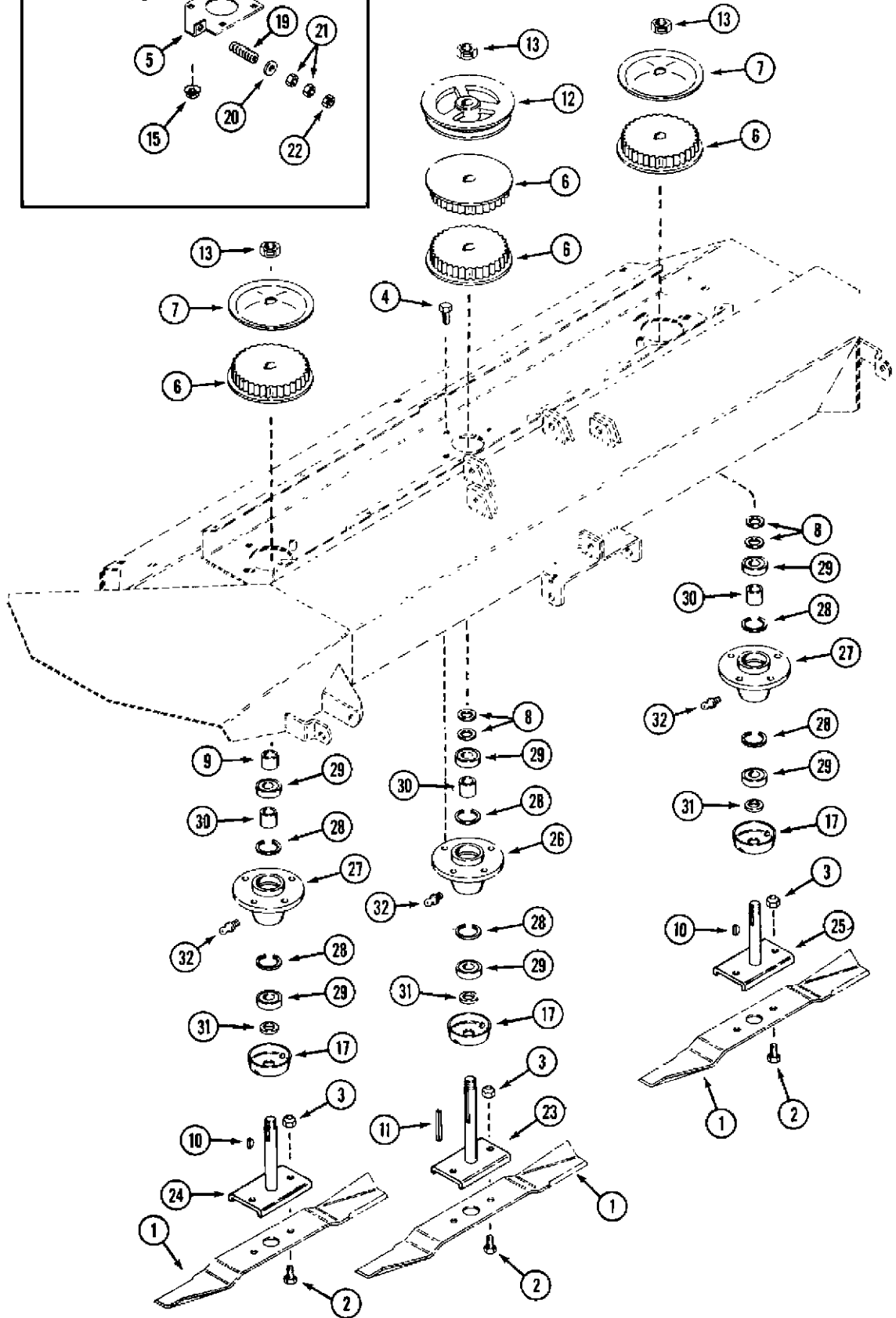
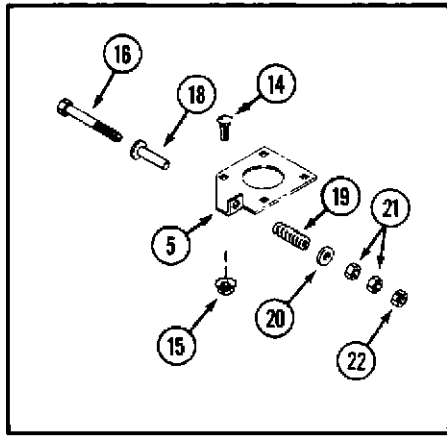
### AXLE AND MOUNTING BRACKETS

(use PIN 010306016 and after)

REF	PART NO	DESCRIPTION	REQ'D
1	C31395	AXLE-rear .....	1
2	111-340	BOLT - carriage 3/8" - 16 x 3/4" .....	6
3	192 21	LOCK WASHER - 3/8" (early production) .....	6
4	131-938	NUT - 3/8" - 16 hex flange lock .....	6
5	C20005	PIN - locking .....	1
6	C10482	SPRING - tension .....	1
7	138-96	PIN -roll .....	1
8	C15935	BRACKET - height adjust .....	1
9	111-132	BOLT - carriage 5/16" - 18 x 3/4" .....	2
10	193-29	LOCK WASHER - 5/16" .....	2
11	131-911	NUT-5/16"- 18 flangelock .....	2
12	C26384	LINK - rock arm .....	3
13	141-4	PIN - clevis 3/8" .....	2
14	132-321	PIN - cotter 3/32" x 1" .....	2
15	195-525	WASHER - 3/8" .....	8
16	132-310	PIN - cotter 1/8" x 1" .....	8
17	C25682	WHEEL - height adjust .....	2
18	C25683	SPACER-sleeve .....	2
19	113-447	BOLT - 1/2" - 13 x 3-1/2" .....	2
20	131-930	NUT - lock 1/2" - 13 hex flange .....	4
	C44519	CARRIAGE ASSEMBLY .....	1
21	C31399	BRACKET - front mounting .....	1
22	C44523	LINK - tow R.H. (shown) .....	1
22	C44524	LINK - tow L.H. ....	1
23	C16573	SPACER - sleeve .....	2
24	111-366	BOLT - carriage 3/8" - 16 x 1-1/4" .....	2
25	131-1352	NUT - lock 3/8" - 16 hex flange .....	4
26	C31401	BRACKET - idler pulleys .....	1
27	C26394	ARM - idler pulley .....	1
28	C17597	BEARING - sleeve .....	2
29	C26390	SHAFT - pivot, pulley arm .....	1
30	138-106	PIN - roll 3/16" x 2-1/2" .....	1
31	C25370	PULLEY - idler .....	2
32	C12264	BUSHING - pulley .....	2
33	113-209	BOLT - 3/8" - 16 x 1-1/2" hex .....	2
34	C44526	BELL CRANK .....	1
35	C24182	BUSHING - flange .....	2
36	C19502	BOLT - "J" .....	1
37	C26033	PIN - adjust .....	1
38	195-533	WASHER - 1/2" .....	3
39	C10898	PIN-safety .....	3
40	C16573	SPACER - sleeve .....	2
41	113-207	BOLT - 3/8" - 16 x 1" hex .....	2
42	C26890	SCREW - idler adjust .....	1
43	138-92	PIN - roll 3/16" x 3/4" .....	2
44	C14269	NUT - adjust, special .....	1
45	C26386	SPRING - tension .....	1
46	C46789	LINK - leveler .....	1
47	C10821	PIN - clevis .....	2
48	C28105	Ring - retaining .....	1
49	131-938	NUT - 3/8" - 16 flange head .....	2
50	NSS	ROD (Use C46274 kit) .....	1
51	NLA	PIN - retainer (Use C46274 kit) .....	1
52	187-1036	SCREW - 1/4" - 20 x 1/2" self-tap .....	UAR
53	C44638	LINK - rock arm .....	1
54	195-2063	Washer - 5/8" .....	2



INDEX



INDEX

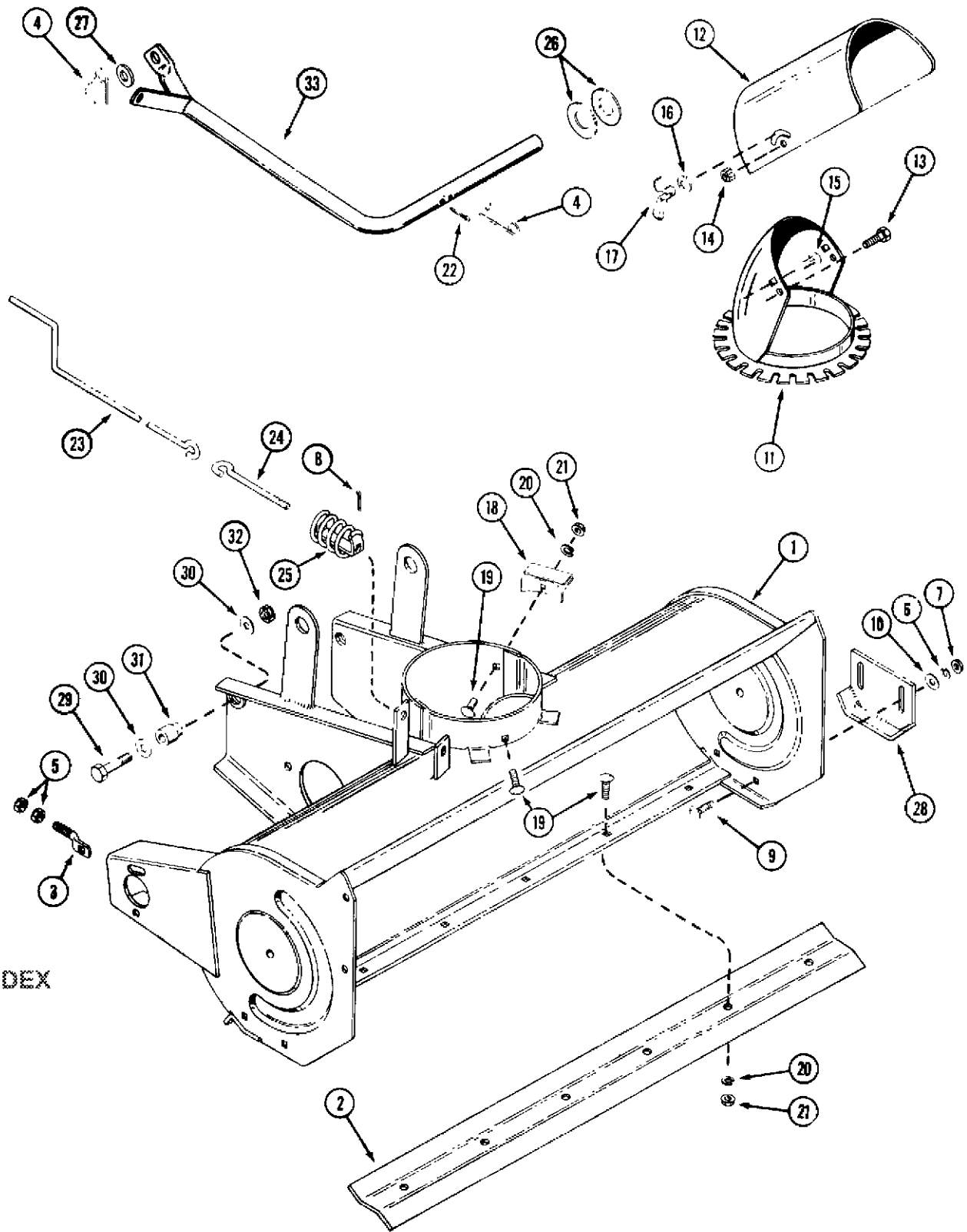
**PULLEYS, BLADES AND SPINDLES**

REF	PART NO	DESCRIPTION	REQ'D
1	C31393	BLADE .....	3
2	113-268	BOLT - 3/8" - 16 x 7/8" hex .....	6
3	131-1216	NUT - lock 3/8" hex.....	6
4	113-206	BOLT- 3/8" - 16x 3/4" hex .....	4
5	C31394	BRACKET - belt adjusting, deck.....	2
6	C46815	SPROCKET - spindle drive.....	4
7	C25642	WASHER - belt retaining, special .....	2
8	C28972	WASHER .....	4
9	C25643	SPACER - spindle.....	1
10	126-16	KEY - Woodruff #9 3/16" x 3/4".....	2
11	C25644	KEY-square.....	1
12	C25645	PULLEY - drive .....	1
13	131-1331	NUT - lock 3/4" hex.....	3
14	111-371	BOLT - 3/8" - 16 x 1" carriage.....	8
15	131-938	NUT - 3/8" flange lock.....	8
16	123-101	BOLT-5/16"-18 x 4"hex .....	2
17	C25543	SHIELD - bearing.....	3
18	C25829	SPACER - sleeve.....	2
19	C25688	SPRING - compression.....	2
20	195-520	WASHER - .312" I.D. x .88" O.D.....	2
21	129-102	NUT - 5/16" hex .....	4
22	131-176	NUT - lock 5/16" hex.....	2
23	C25627	SPINDLE - center .....	1
24	C25632	SPINDLE - R.H .....	1
25	C25635	SPINDLE - L.H.....	1
26	NSS *	HOUSING - center spindle (use C40722 and 219-20) – Threaded holes ..	1
26	C40722 **	HOUSING - center spindle – Threaded holes ..	1
27	NSS *	HOUSING - outward spindle (use C40955 and 219-2) Holes not threaded .....	2
27	C40955 **	HOUSING - outward spindle – Holes not threaded .....	2
28	C16516	RING - retaining.....	6
29	C28971	BEARING - spindle .....	6
30	C10810	SPACER - spindle bearing. ....	3
31	C25541	SPACER - spindle.....	3
32	219-20	FITTING - lubrication 1/4" - 28 (if used).....	3

\* Use before PIN: 010308001

\*\* Use PIN 010308001 and after

INDEX

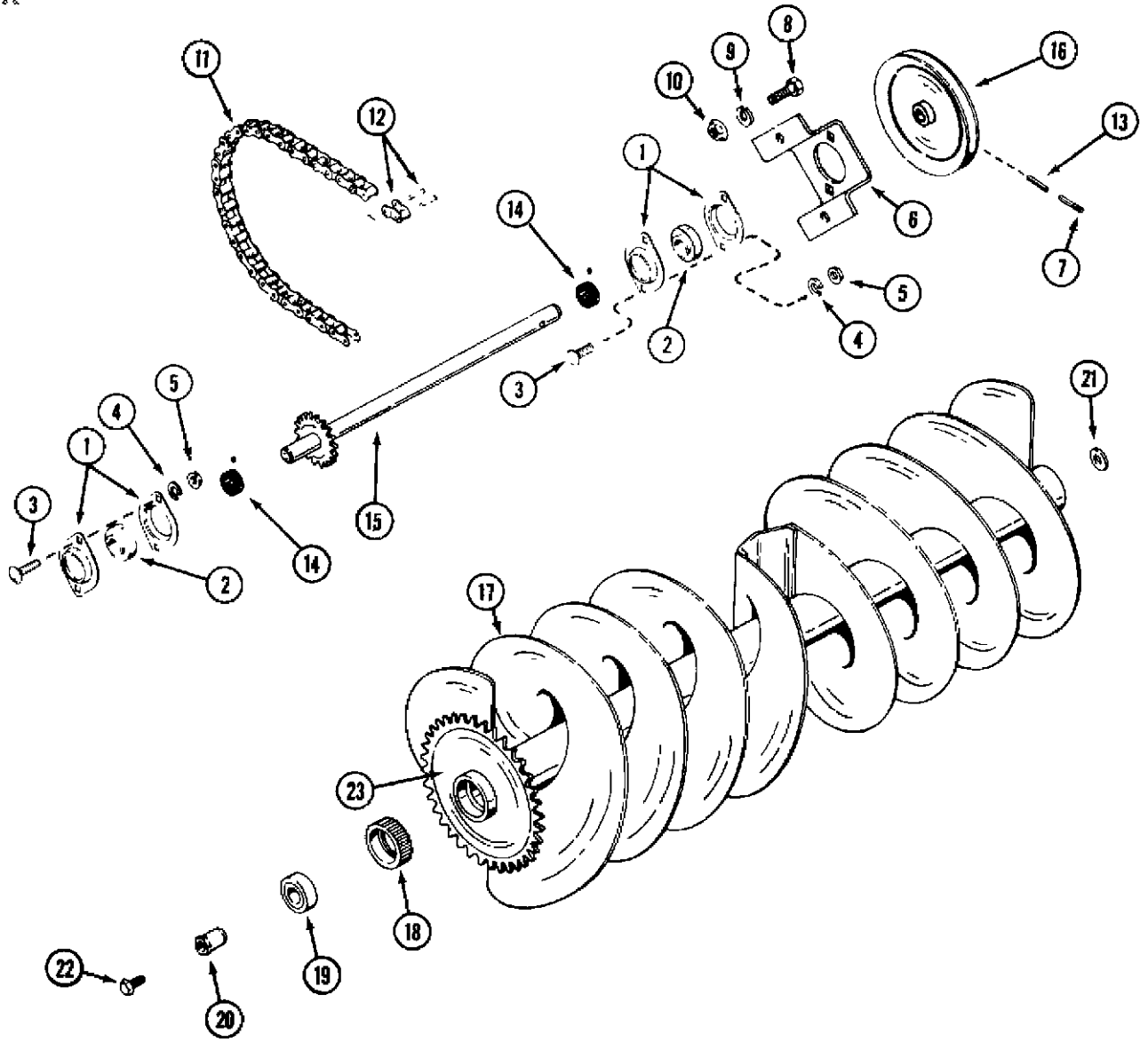


INDEX

**AUGER HOUSING, CHUTE CONTROL AND LIFT ASSEMBLY**

REF	PART NO	DESCRIPTION	REQ'D
1	C31899	HOUSING - auger 38" (SB38G).....	1
1	C31900	HOUSING - auger 48" (SB48) .....	1
2	C17776	BLADE - snowblower (SB48).....	1
2	C17878	BLADE - snowblower (SB38G).....	1
3	C29877	SCREW - chain adjust .....	1
4	C10898	PIN - safety .....	2
5	129-163	NUT - 3/8" -24 lock.....	2
6	192-21	LOCK WASHER - 3/8" ZP (early production) .....	4
7	131-938	NUT - 3/8" NC hex ZP.....	4
8	132-300	PIN - cotter 1/8" x 7/8".....	1
9	111-371	BOLT - 3/8" x 1" NC carriage .....	4
9	111-340	BOLT - 3/8" - 16 x 3/4" carriage.....	4
10	195-525	WASHER - 3/8" ZP (early production) .....	4
11	C15248	CHUTE.....	1
12	C16940	DEFLECTOR .....	1
13	113-1	BOLT - 1/4" x 1/2" NC hex ZP.....	2
14	131-1102	NUT - lock 1/4" NC hex ZP .. .. .	2
15	111-340	BOLT - 3/8" x 3/4" NC carriage... .. .	2
16	C28263	WASHER - dished 25/64 x 1" O.D.....	2
17	C22774	WINGNUT - deflector locking .. .. .	2
18	C15334	BRACKET - chute holddown .. .. .	3
19	111-132	BOLT - 5/16" x 3/4" NC carriage. ....	.. UAR
20	192-20	LOCK WASHER k- 5/16" ZP (early production) .	.. UAR
21	131-911	NUT - 5/16" NC hex ZP flange... .. .	.. UAR
22	132-332	PIN - cotter 3/32" x 1-1/2" .....	1
23	C24644	CRANK - chute 44 - 5/8" .....	.. UAR
23	C25026	Crank - chute 57-5/8" (Use with CB34 Cab) .	.. UAR
24	C24643	ROD - chute, control .....	1
25	C24640	COIL - chute control.....	1
26	195-2134	WASHER - 1-3/16" x 2-1/4" ZP.....	2
27	195-541	WASHER - 21/32" x 1-5/16.....	1
28	C17775	SKID - shoe.....	2
29	113-412	BOLT - 1/2" x 1-3/4" NC hex.....	2
30	195-534	WASHER - 1/2".....	4
31	C25580	BUSHING - pivot.....	2
32	131-1182	NUT - Lock, 1/2".....	2
33	C31995	ARM-lift .....	1

INDEX



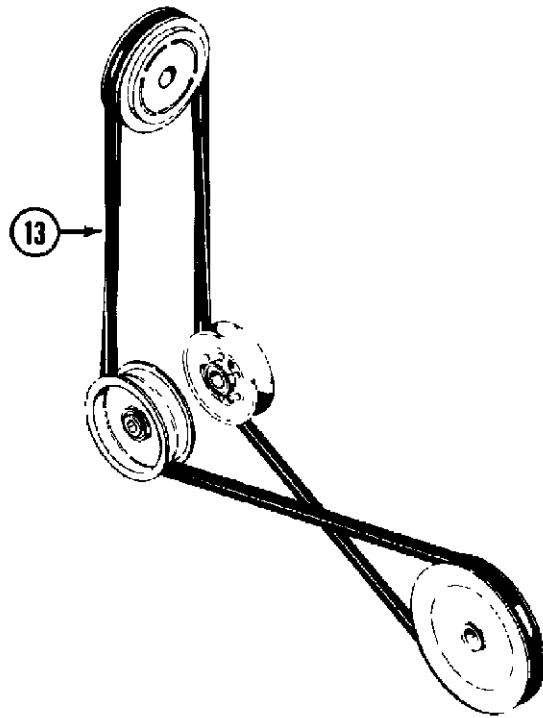
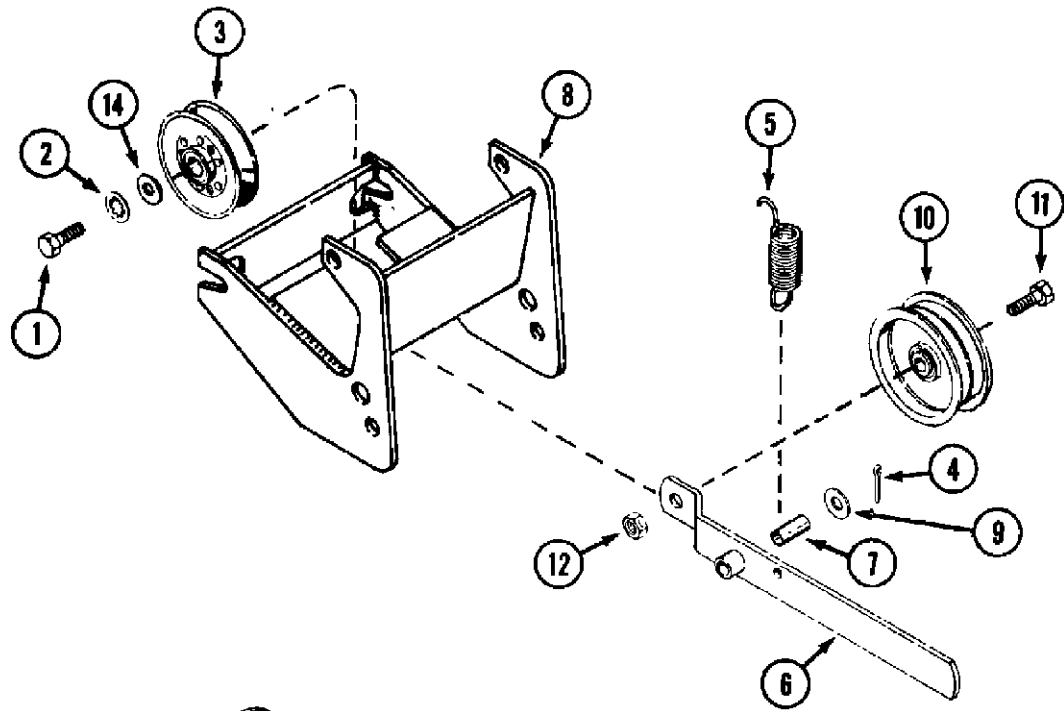
**SB38G, SB48 SNOW BLOWER**

**INDEX**

**AUGER AND DRIVE ASSEMBLY**

REF.	PART NO.	DESCRIPTION	REQ'D
1	C28277	FLANGETTE.. .. .	.4
2	C28817	BEARING .. .	.2
3	111-132	BOLT - 5/16" x 3/4" NC ZP carriage . . . . .	UAR
4	192-20	LOCK WASHER - 5/16" ZP (early production) .. . . .	.4
5	131-911	NUT - 5/16" NC hex ZP flange lock .. . . .	.4
6	C28209	BRACKET - bearing... .. .	.1
7	138-81	PIN - roll 5/32" x 1-1/2" .. . . .	.1
8	113-206	BOLT - 3/8" - 16 x 3/4".....	.2
9	192-21	LOCK WASHER - 3/8" (early production).....	.2
10	131-938	NUT - 3/8" - 16 flange lock.....	.2
11	C46469 * *	CHAIN - auger drive, 76 pitches, #40 (1 pitch = .5") .....	.1
11	C18183 *	CHAIN - auger drive 75 pitches #40 roller chain .....	.1
	C28982	LINK - connecting #40 .....	.1
	C28984	LINK - roller #40.....	.2
	C28983	LINK-offset #40 .....	.2
12	138-138	PIN - roll 1/4" - 1-1/2" .....	.1
13	NSS	COLLAR - locking (included with item 2).....	.2
14	C31907 *	SHAFT - drive (SB38G) - 16 tooth.....	.1
15	C31908 *	SHAFT - drive (SB48) - 16 tooth.....	.1
15	C46462 * *	SHAFT - drive (SB38G) - 19 tooth.....	.1
15	C46463 * *	SHAFT - drive (SB48) - 19 tooth.....	.1
16	C31953	PULLEY - drive shaft .....	.1
17	C25205	AUGER - 38" (SB38G).....	.1
17	C25853	AUGER - 48" (SB48).....	.1
18	C25840	SLEEVE - bearing.....	.2
19	C28971	BEARING - auger .....	.2
20	C25841	SHAFT - stub .....	.2
21	195-522	WASHER - spacer 3/8" .....	UAR
22	121-226	BOLT - 3/8" x 1" NC hex (use lock sealant on threads) flange lock . . . . .	.2
23	C16109	SPROCKET - auger (is welded to auger) - 47 tooth.....	.1

INDEX



**SB38G, SB48 SNOW BLOWER**

**INDEX**

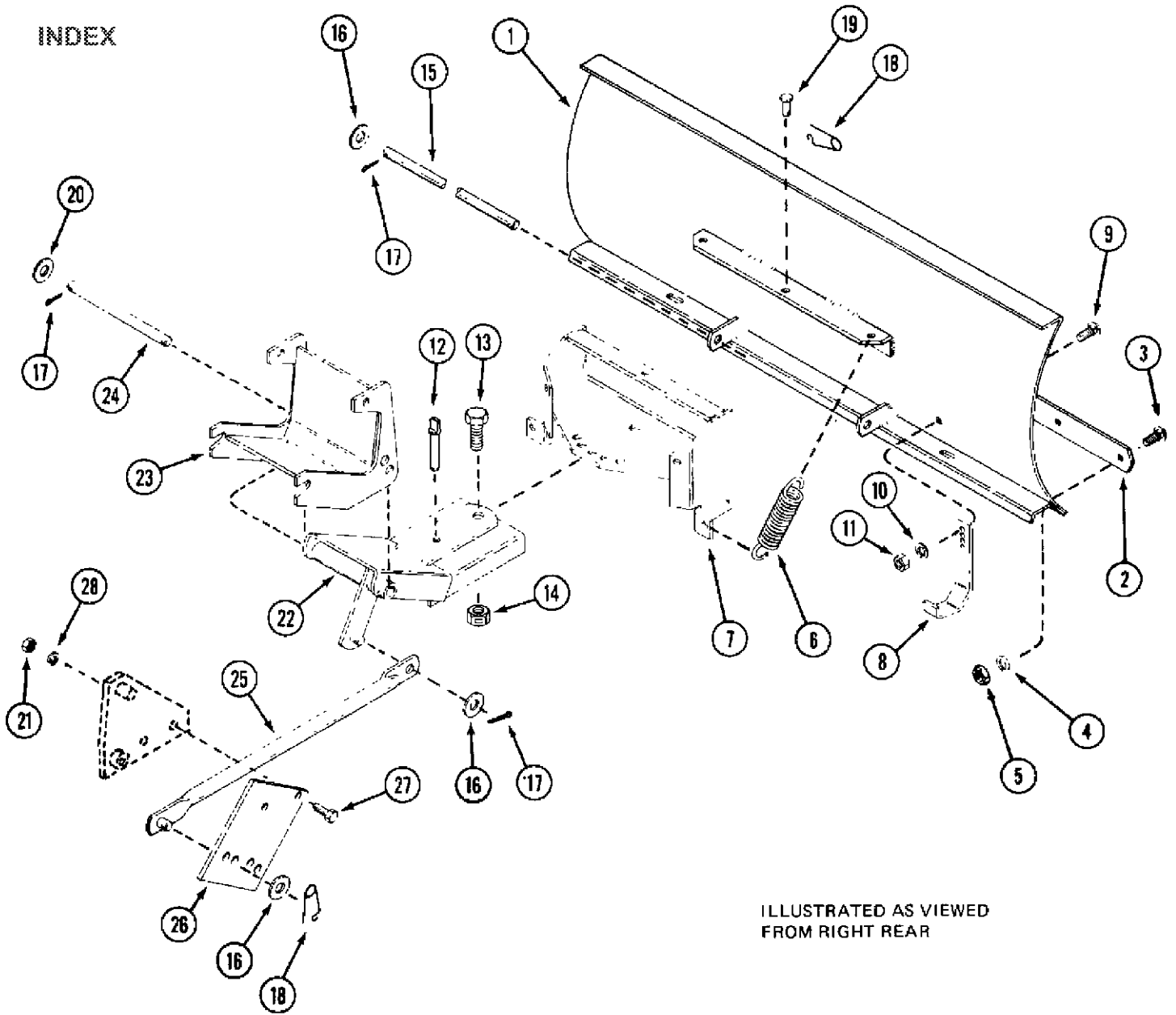
**BELT AND IDLER ASSEMBLY**

REF	PART NO	DESCRIPTION	REQ'D
1	113-206	BOLT - 3/8" x 3/4" NC hex ZP .....	1
2	192-21	WASHER - 3/8" lock .....	1
3	C25370	PULLEY - idler 4" .....	1
4	132-318	PIN - cotter .....	1
5	C16870	SPRING - idler .....	1
6	C31918	ARM-idler .....	1
7	C16714	BUSHING - idler arm .....	1
8	C31913 *	FRAME - idler .....	1
9	195-533	WASHER - 1/2" ZP .....	1
10	C26090	PULLEY - backside idler 4" .....	1
11	113-410	BOLT - 1/2" x 1-1/2" NC hex ZP .....	1
12	131-1182	NUT - lock 1/2" NC hex ZP .....	1
13	C23949	BELT - (use with 3000 series tractors) 76-1/2" .....	1
13	C23539	BELT - (use with 4000 series tractors) .....	1
14	195-103	WASHER-3/8" .....	1

\* If this snowblower is used on a  
200, 400 series tractor use:  
C25565 - Frame, idler



INDEX



ILLUSTRATED AS VIEWED  
FROM RIGHT REAR

**UB44, UB54 UTILITY BLADE**

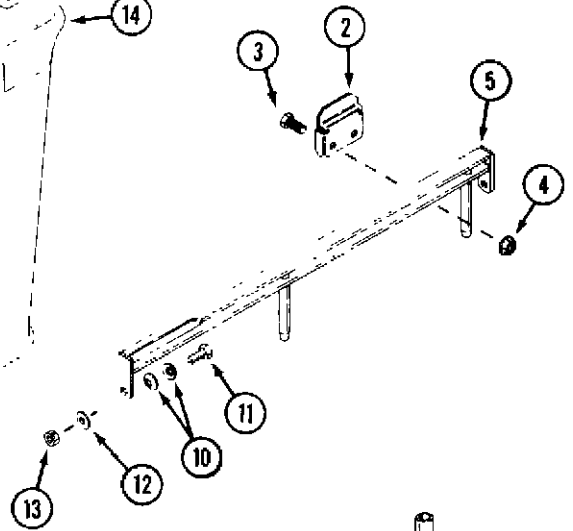
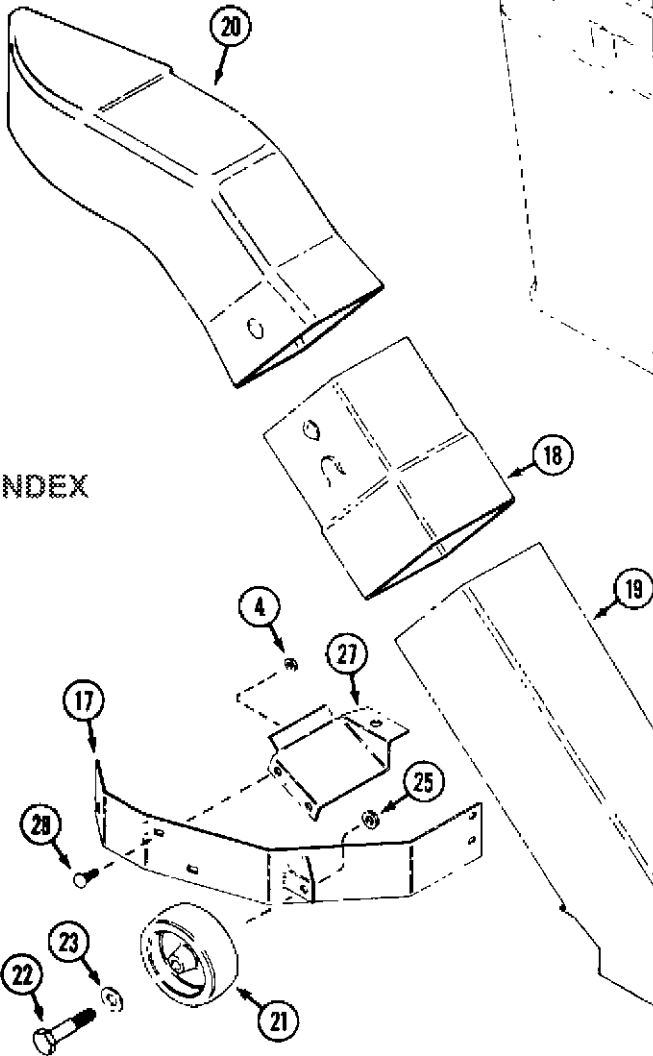
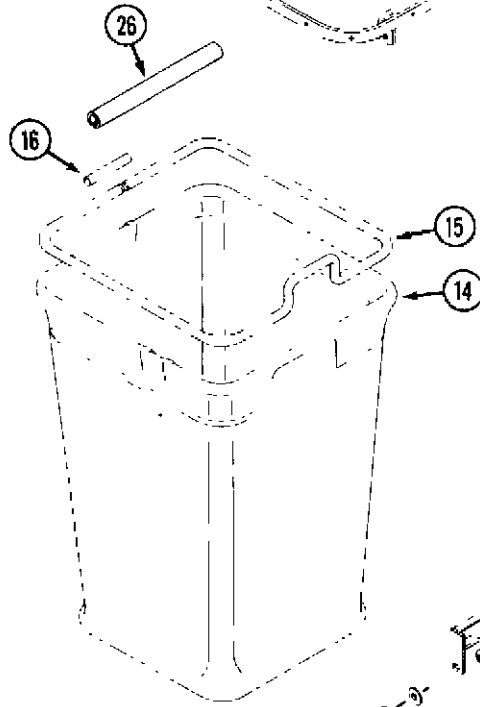
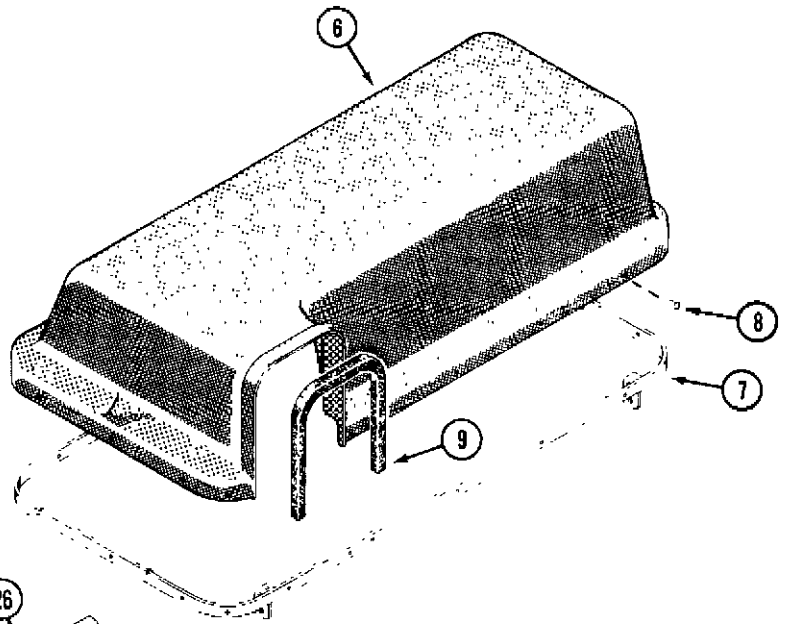
**INDEX**

**BLADE, BRACKET AND LIFT ASSEMBLY**

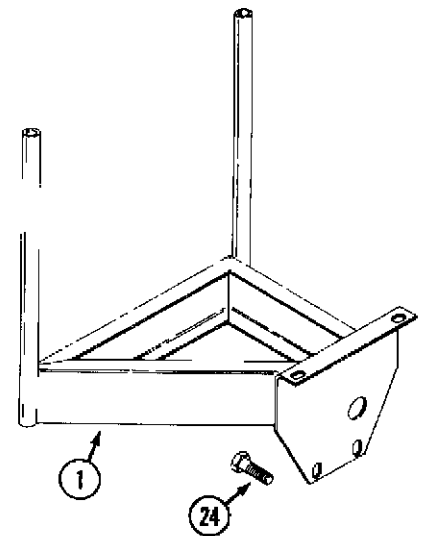
REF	PART NO	DESCRIPTION	REQ'D
1	C16524	BLADE - 44" shown (UB44).....	1
1	C16525	BLADE - 54" (UB54) .....	1
2	C10871	EDGE - 44" (UB44).....	1
2	C14440	EDGE - 54" (UB54).....	1
3	111-203	BOLT - 5/16" x 1" NC rd. hd. square neck.....	UAR
3	111-132	BOLT - 5/16" - 18 x 3/4" carriage.....	UAR
4	192-20	LOCK WASHER - 5/16" (early production).....	UAR
5	131-911	NUT - 5/16"NC hex.....	UAR
6	C16805	SPRING - blade.....	2
7	C22741	BRACKET - pivot.....	1
8	C25876	SKID.....	2
9	111-371	BOLT - 3/8" x 1" NC rd. hd. square neck.....	2
10	192-21	LOCK WASHER - 3/8".....	2
11	129-103	NUT - 3/8" NC hex.....	2
12	C10888	PIN-lock.....	1
13	113-713	BOLT - 3/4" x 1-3/4" NC hex.....	1
14	131-1112	NUT - lock, 3/4" NC hex.....	1
15	C16529	ROD - front pivot.....	1
16	195-541	WASHER-5/8".....	4
17	132-310	PIN - cotter 1/8" x 1".....	5
18	C10898	PIN - safety.....	2
19	141-56	PIN - clevis 1/2" x 1-3/8".....	2
20	C12975	WASHER - 3/4" ID x 1-1/8".....	2
21	129-105	NUT - 1/2" hex.....	2
22	C23702 *	BRACKET - blade lift .....	1
22	C44221 **	BRACKET - blade lift .....	1
23	C25571 *	BRACKET - mounting.....	1
23	C4428 7 **	BRACKET - mounting.....	1
24	C23713	ROD - rear pivot.....	1
25	C23841	ROD - lift.....	1
26	C25382	PLATE - adapter, lift bracket.....	2
27	113-417	BOLT - 1/2" x 1-1/4" hex.....	2
28	192-23	LOCK WASHER - 1/2".....	2

\* Use before PIN:  
 \*\* Use PIN and after:  
 UB44 - 020307007  
 UB54 - 020308001

INDEX



INDEX



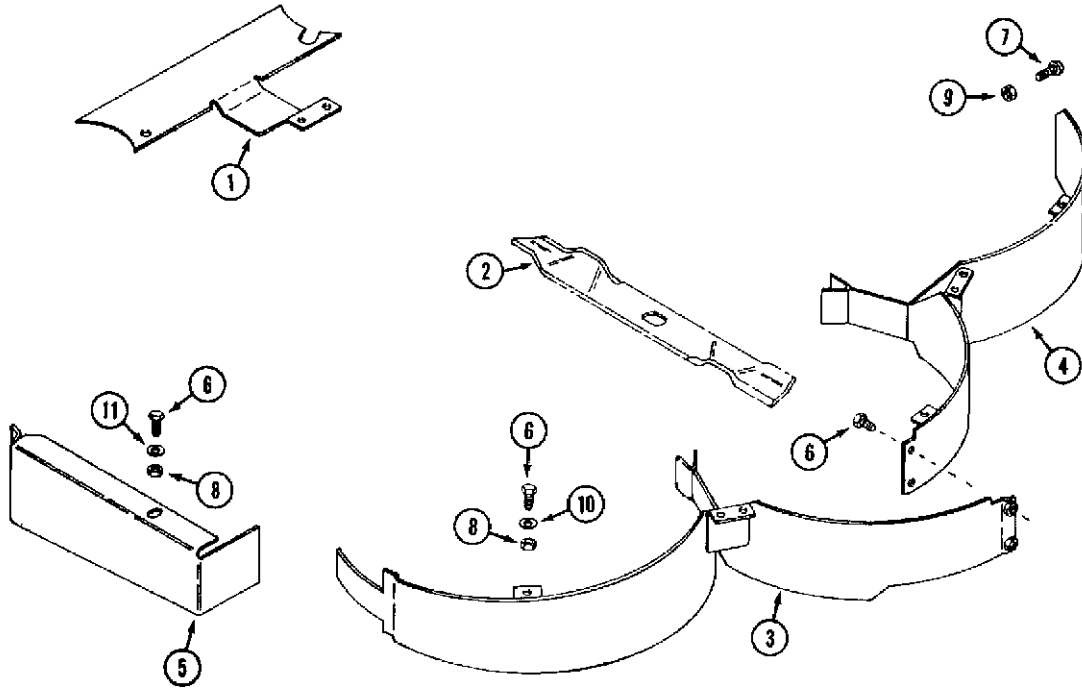
## BG42G BAGGER

### INDEX

### BAGGER ASSEMBLY

REF	PART NO	DESCRIPTION	REQ'D
1	C34783	FRAME - mounting.....	1
2	C28436	BRACKET - retaining, hopper .....	1
3	113-102	BOLT-5/16"x3/4" .....	4
4	131-911	NUT - 5/16" flange lock ..	1
5	C28434	FRAME - support.....	1
6	C32101	COVER - bagger .....	1
7	C29871	HINGE-cover .....	1
8	151-88	RIVET- 3/16" x 5/16" .....	17
9	C24610	SEAL-chute .....	1
10	C25114	SPRING WASHER - Belleville .....	4
11	113-103	BOLT - 5/16"- 18 x 1" .....	2
12	195-521	WASHER - 5/16" .....	2
13	131-176	NUT - 5/16" - 18 lock .....	2
14	C28438	BAG-grass .....	2
15	C28439	ROD - bag, support .....	2
16	C28440	TUBE - retaining.....	2
17	C36792	GUARD - lower chute.....	1
18	C30773	CHUTE - middle .....	1
19	C34771	CHUTE - lower .....	1
20	C34781	CHUTE - upper.....	1
21	C33709	WHEEL - anti scalp .....	1
22	C16745	BOLT - shoulder.....	1
23	195-533	WASHER - 1/2" .....	1
24	113-417	BOLT-1/2"-13x1-1/4" .....	2
25	131-938	NUT - 3/8" - 16 flange lack .....	1
26	C32400	GUARD - bag .....	2
27	C36796	DEFLECTOR - chute .....	1
28	111-132	BOLT - 5/16" - 18 x 3/4" carriage .....	7

INDEX



**INDEX**

**MK44, MK48 AND MK48-2 MULCHING KIT**

REF	PART NO	DESCRIPTION	REQ'D
1	C45202	TOOL - fixture (MK48, MK48-2) optional (shown) .....	1
1	C45828	TOOL - fixture (MK44) optional .....	1
2	C45821	BLADE - 15.5"(MK44) .....	3
2	C45192	BLADE - 17"(MK48,MK48-2) shown .....	3
3	C45822	BAFFLE - R.H. (MK44) .....	1
3	NSS *	BAFFLE - R.H. (MK48) order complete MK48-2 kit. ....	1
3	C45782 **	BAFFLE - R.H. (MK48-2) shown.. ....	1
4	C45825	BAFFLE - L.H (MK44).....	1
4	NSS *	BAFFLE - L.H (MK48) order complete MK48-2 kit. ....	1
4	C45786 **	BAFFLE - L.H (MK48-2) shown .. ....	1
5	C45688	CAP-end.. ....	1
6	113-102	BOLT - 5/16"- 18 x 3/4" .....	12
7	C42056	SCREW-round head . ....	1
8	131-96	NUT - 5/16" lock.. ....	10
9	131-176	NUT -5/16" lock. ....	1
10	195-521	WASHER - 5/16"x 5/8" .....	10
11	195-103	WASHER - 5/16"x 7/8" .....	1
	C16752	WASHER - shim 3/8" x 7/8" x .164" (not shown) . ....	1

\* Used on RM48 before PIN 010409098  
 \*\* Used on RM48 PIN 010409098 and After.

**5**

**! DANGER**

**SPINNING BLADE**  
KEEP CLEAR  
CONTACT CAN INJURE

**4**

**! WARNING**

**FLYING DEBRIS**  
OPERATE MOWER ONLY  
WITH DISCHARGE CHUTE  
GUARD/COVER OR COMPLETE  
GRASS CATCHER IN PLACE.  
DEBRIS MAY CAUSE INJURY

**14**

**! DANGER**

**SPINNING BLADE**  
SEE OPERATOR'S MANUAL BEFORE  
ATTEMPTING TO CLEAR PLUGGED  
DISCHARGE CHUTE.  
CONTACT WITH BLADE CAN RESULT IN  
SERIOUS INJURY.

**2**

**NO STEP**

**8**

**COMMERCIAL**

**10**

**INGERSOLL**

**6**

**ATTACHMENT DRIVE CLUTCH PULLEY**

**MOWER DRIVE PULLEY**

**IDLER PULLEYS**

**DECREASE TENSION**

**INCREASE TENSION**

**KEY**

**SPRING**

- 1 SHUT OFF ENGINE REMOVE KEY, WAIT FOR ALL MOTION TO STOP BEFORE INSTALLING OR ADJUSTING BELT
- 2 TURN KEY COMPLETELY COUNTERCLOCKWISE
- 3 INSTALL BELT OVER PULLEYS AS SHOWN, ONLY ONE 90 DEGREE TWIST OF THE BELT MUST BE BETWEEN EACH PULLEY
- 4 TURN KEY CLOCKWISE UNTIL GAP BETWEEN SPRING COILS IS EQUIVALENT TO WIRE DIAMETER
- 5 CHECK THE SPRING DAILY FOR CORRECT GAP, ADJUST WHEN NECESSARY

C31408

**1**

**ATTACHMENT DRIVE CLUTCH PULLEY**

**MOWER DRIVE PULLEY**

**IDLER PULLEYS**

**DECREASE TENSION**

**INCREASE TENSION**

- 1 SHUT OFF ENGINE REMOVE KEY, WAIT FOR ALL MOTION TO STOP BEFORE INSTALLING OR ADJUSTING BELT
- 2 TURN KEY COMPLETELY COUNTERCLOCKWISE
- 3 INSTALL BELT OVER PULLEYS AS SHOWN, ONLY ONE 90 DEGREE TWIST OF THE BELT MUST BE BETWEEN EACH PULLEY
- 4 TURN KEY CLOCKWISE UNTIL GAP BETWEEN SPRING COILS IS EQUIVALENT TO WIRE DIAMETER
- 5 CHECK THE SPRING DAILY FOR CORRECT GAP, ADJUST WHEN NECESSARY

C31408

**7**

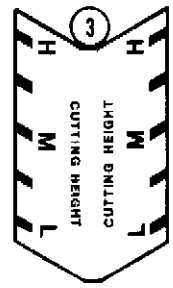
**CORRECT BLADE ALIGNMENT**

**BLADE ALIGNMENT AND BELT TENSION**

- 1) TIGHTEN THIS NUT AGAINST WASHER AND SPACER
- 2) LOOSEN FOUR SPINDLE HOUSING MOUNTING NUTS ON THE UNDERSIDE OF THE MOWER FOR FREE SLIDING MOVEMENT OF ASS'Y
- 3) ALIGN BLADES SUCH THAT ADJACENT BLADES ARE PERPENDICULAR TO EACH OTHER AS SHOWN IN BLADE ALIGNMENT DIAGRAM
- 4) ADJUST THESE NUTS TO OBTAIN A GAP BETWEEN HEAD OF BOLT AND BRACKET, AS SHOWN
- 5) GAP WIDTH TO BE EQUAL TO THICKNESS OF TRACTOR IGNITION KEY, USE KEY AS A GAGE
- 6) TIGHTEN FOUR SPINDLE HOUSING MOUNTING NUTS SECURELY

GAP

C31409



**12**

**SEC. DRIVE PULLEY**

**ATTACHMENT DRIVE PULLEY**

**FIXED IDLER PULLEY**

**SPRING IDLER PULLEY**

**IDLER ARM**

- 1 SHUT OFF ENGINE REMOVE KEY, WAIT FOR ALL MOTION TO STOP BEFORE INSTALLING BELT
- 2 INSTALL BELT OVER PULLEYS AS SHOWN, ONLY ONE 90 DEGREE TWIST OF THE BELT MUST BE BETWEEN EACH PULLEY
- 3 ROTATE IDLER ARM CLOCKWISE AND SECURE BELT TO THE SPRING IDLER PULLEY
- 4 TURN KEY COUNTERCLOCKWISE UNTIL GAP BETWEEN SPRING COILS IS EQUIVALENT TO WIRE DIAMETER
- 5 CHECK THE SPRING DAILY FOR CORRECT GAP, ADJUST WHEN NECESSARY

**! CAUTION**

**FLYING DEBRIS**

DO NOT RAISE COVER WHILE OPERATING. PROPERLY INSTALL BAGGER AND CHUTE BEFORE STARTING MOWER. SEE OPERATOR'S MANUAL FOR FURTHER INSTRUCTIONS.

**13**

**9**

**! CAUTION**

**KEEP HANDS AND FEET CLEAR OF THIS AREA.**

**PINCH POINT.**

**THIS PIN LOCKS BLADE IN FIXED DOZING POSITION. REMOVING PIN ALLOWS BLADE TO TILT WITH SPRING TRIP ACTION FOR SNOW REMOVAL USE. STORE PIN IN HOLE AND SECURE WITH SAFETY PIN. SEE MANUAL FOR COMPLETE INSTRUCTIONS.**

**11**

**DRIVE BELT INSTALLATION**

**ATTACHMENT DRIVE CLUTCH**

**FIXED IDLER PULLEY**

**SPRING IDLER PULLEY**

**AUGER SHAFT PULLEY**

# DECALS

After these Serial Numbers...

## USE BEFORE PIN:

### INDEX

RM38 -010606104	UB44 -020610001
RM44 -010606104	UB54 -020610011
RM44GR -010606104	SB38G - 030612026
RM48 -010606104	SB48 - 030608026
RM60 -010606104	RM42G -010606104
	BG42G - 010606104

REF	PART NO	DESCRIPTION	REQ'D
1	C31494	DECAL - mower drive belt (RM38, RM44, RM44GR, RM48).....	1
2	C12519	DECAL - "NO STEP" (RM38, RM42G, RM44, RMGR, RM48, RM6O) .....	2
3	321-6210	DECAL - culling height (RM38, RM44, RM44GR, RM48, RM6O).....	1
4	NLA	DECAL - flying debris (RM38, RM42G, RM44, RM44GR, BG42G, RM6O)(use C46324) ..	1
5	NLA	DECAL - spinning blade (RM38, RM44, RM44GR, RM48, RM6O)(use C46323) .....	1
6	C42578	DECAL - mower drive belt (RM6O) .....	1
7	C31409	DECAL - spindle drive belt (RM6O).....	2
8	321-6263	DECAL - "commercial" (RM6O). ....	1
9	NLA	DECAL - "Caution" Pinch Point (UB44, UB54) (use C46327) ....	1
10	C32093	DECAL - "Ingersoll" (UB44, UB54, SB38G, SB48) ....	1
11	C31896	DECAL - drive belt (SB38G,SB48) ..	1
12	C38800	DECAL - mower drive belt (RM42G) ...	1
13	NLA	DECAL - caution (BG42G) (use C46282)....	1
14	NLA	DECAL - danger (BG42G) (use C46325)....	1
15	C31090	DECAL - cutting height (RM42G) ...	1



# 10 INGERSOLL

2  
**NO STEP**

8  
**COMMERCIAL**

4  
**WARNING**  
SPINNING BLADE  
TO AVOID SERIOUS INJURY:  
MOWER SHALL NOT BE OPERATED  
WITHOUT EITHER ENTIRE:  
- CHUTE DEFLECTOR - MULCHER  
- GRASS CATCHER  
AND GUARD / COVERS IN PLACE.

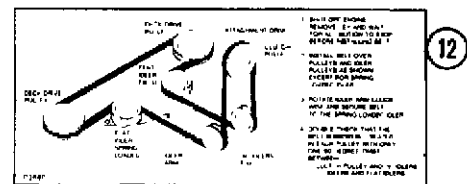
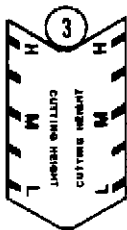
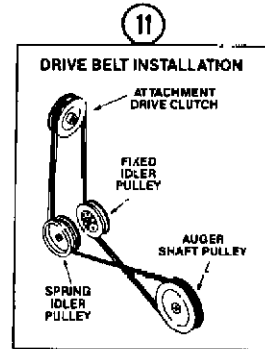
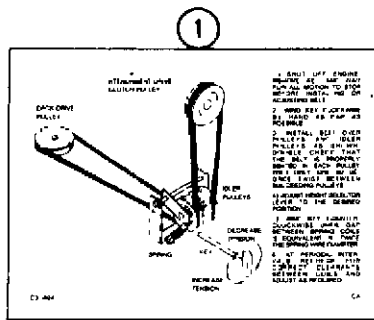
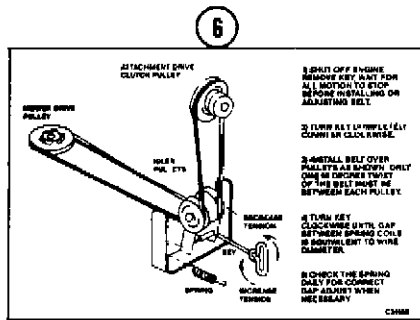
13  
**WARNING**  
FLYING OBJECTS  
TO AVOID SERIOUS INJURY:  
DO NOT OPERATE MOWER UNLESS GRASS CATCHER  
IS ATTACHED.  
DO NOT RAISE COVER OR CATCHER WHILE OPERATING.  
READ OPERATOR'S MANUAL.

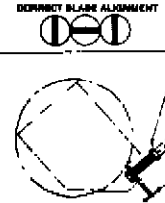
5  
**DANGER**  
  
SPINNING BLADE  
STAY CLEAR OF MOWER WHEN  
ENGINE IS RUNNING.


16  
**DANGER**  
  
ROTATING AUGER  
KEEP HANDS, FEET AND LOOSE  
CLOTHING AWAY FROM  
ROTATING AUGER.

17  
**DANGER**  
  
ROTATING AUGER  
KEEP HANDS OUT OF THE  
DISCHARGE CHUTE WHILE  
THE ENGINE IS RUNNING.

14  
**DANGER**  
  
SPINNING BLADE  
- BLOWER / MOWER SHALL NOT BE  
OPERATED WITHOUT ENTIRE GRASS  
CATCHER, GUARD, & COVERS IN PLACE.  
- STAY CLEAR OF BLOWER / MOWER  
WHEN ENGINE IS RUNNING.  
- READ OPERATOR'S MANUAL.



7  
**DETERMINE BLADE ALIGNMENT**  
  
**BLADE ALIGNMENT AND BELT TENSION**  
1) TIGHTEN THIS NUT AGAINST WASHER AND SPACER.  
2) LOCATE FOUR SPURGE HOUSING MOUNTING NUTS ON THE UNDERSIDE OF THE MOWER FOR PROPER BLADING MOVEMENT OF ASSTY.  
3) ALIGN BLADES SUCH THAT ADJACENT BLADES ARE PERPENDICULAR TO EACH OTHER AS SHOWN IN BLADE ALIGNMENT DIAGRAM.  
4) ADJUST THESE NUTS TO OBTAIN A GAP BETWEEN HEAD OF BOLT AND BRACKET, AS SHOWN.  
5) GAP MUST BE EQUAL TO THICKNESS OF TRACTOR IGNITION KEY. USE KEY AS A GAGE.  
6) TIGHTEN FOUR SPURGE HOUSING MOUNTING NUTS SECURELY.

9  
**WARNING**  
  
**PINCH POINT**  
- KEEP HANDS AND FEET CLEAR OF THIS AREA.  
- THIS PIN LOCKS BLADE IN FIXED DOZING POSITION.  
- REMOVING PIN ALLOWS BLADE TO TILT WITH SPRING. TRIP ACTION FOR SNOW REMOVAL USE.  
- STORE PIN IN HOLE AND SECURE WITH SAFETY PIN.  
READ OPERATIONS MANUAL.

# DECALS

Before these Serial Numbers...

## USE PIN AND AFTER:

## INDEX

RM38 -010606104	UB44 - 020610001
RM44 - 010806104	UB54 -020610011
RM44GR -010606104	SB38G - 030612026
RM48 -010606104	SB48 -030608026
RM6O -010606104	RM42G - 010606104
	BG42G -010606104

REF	PART NO	DESCRIPTION	REQ'D
1	C31494	DECAL - mower drive belt (RM38, RM44, RM44GR, RM48).....	1
2	C12519	DECAL - "NO STEP" (RM38, RM42G, RM44, RMGR, RM48, RM6O).....	2
3	321-6210	DECAL - cutting height (RM38, RM44, RM44GR, RM48, RM6O).....	1
4	C46324	DECAL - spinning blade (RM38, RM42G, RM44, RM44GR, BG42G, RM6O).....	1
5	C46323	DECAL - spinning blade (RM38, RM44, RM44GR, RM48, RM6O).....	1
6	C42578	DECAL - mower drive belt (RM6O).....	1
7	C31409	DECAL - spindle drive belt (RM6O).....	2
8	321-6263	DECAL - "commercial" (RM6O).....	1
9	C46327	DECAL - Pinch Point (UB44, U B54).....	1
10	C32093	DECAL - "Ingersoll" (UB44, UB54, S838G, SB48).....	1
11	C31896	DECAL - drive belt (SB38G,SB48).....	1
12	C38800	DECAL - mower drive belt (RM42).....	1
13	C46282	DECAL - flying objects (BG42G).....	1
14	C46325	DECAL - spinning blade (RM42G).....	1
15	C31090	DECAL - cutting height (RM42G).....	1
16	C46322	DECAL - auger (SB38G, SB48).....	1
17	C46329	DECAL - discharge (SB38G, SB48).....	1