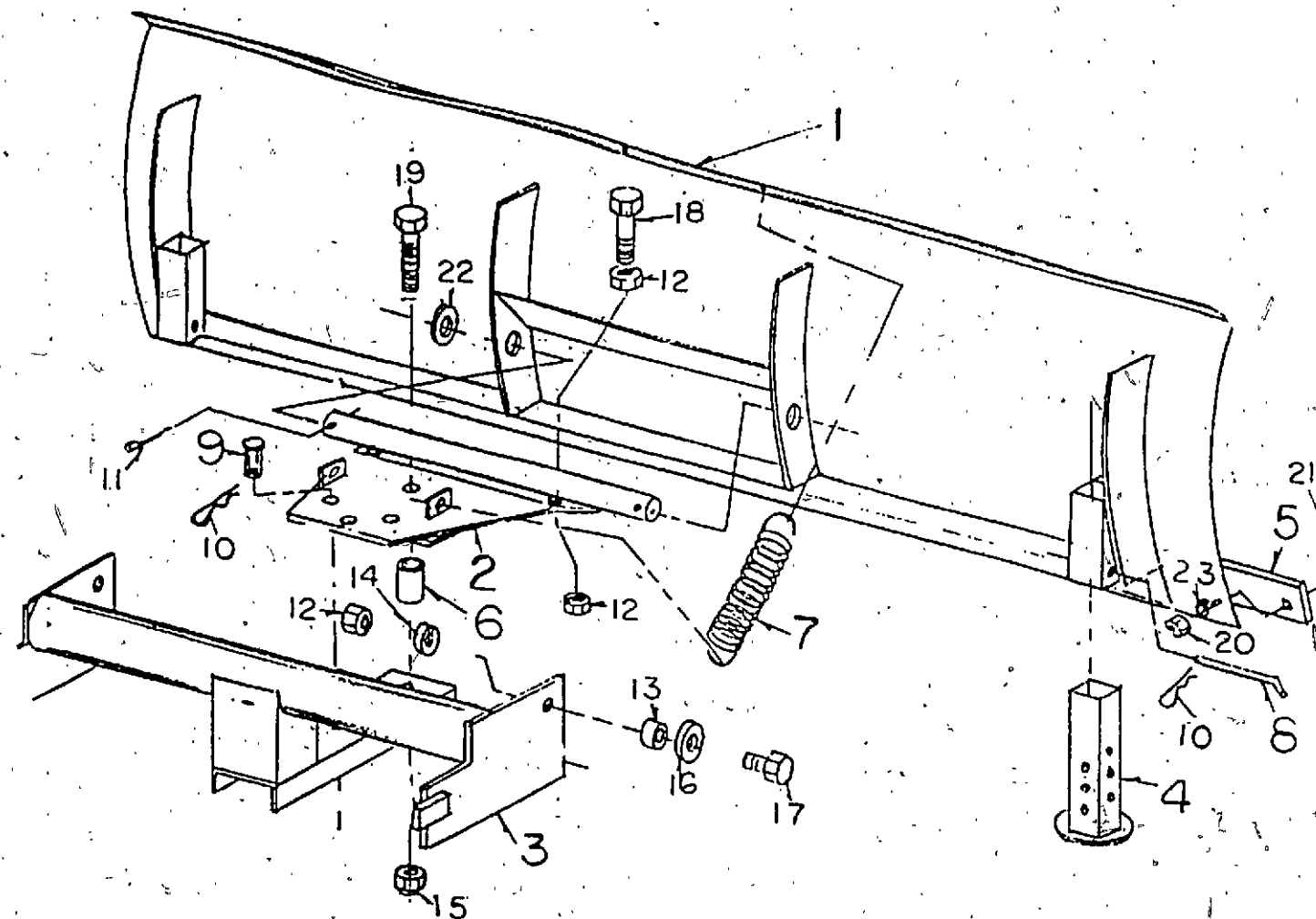


GRAZER

GROUNDS MOWERS

Model
BL54 BLADE

Parts List



REF. NO.	PART NO.	NO. REQD.	DESCRIPTION
1.	440-0000	1	54" Blade
2.	440-0001	1	Pivot Mount
3.	440-0002	1	54" Blade Mount
4.	440-0004	2	Skid Plate
5.	440-0003	1	Replaceable Blade
6.	440-0005	1	Bushing
7.	900-5516	2	Spring
8.	900-5536	2	Pin 3/8
9.	900-5607	1	Pin 1/2
10.	900-5520	3	Hair Pins
11.	900-6178	2	3/16 Cotter Pin
12.	900-6125	6	1/2-13 Nut
13.	300-0013S	2	Bushing
14.	900-6127	2	1/2 Lock washer
15.	900-6126	1	1/2 Lock Nut
16.	900-6128	2	1/2 Flat Washer
17.	900-6130	2	1/2-13 x 1-1/2
18.	900-6131	2	1/2-13 x 2-1/4
19.	900-6132	1	1/2-13 x 3
20.	900-6050	7	5/16-18 Nut
21.	900-6057	7	5/16-18 x 1 Carg.
22.	900-6003	2	3/4 Washer
23.	900-6051	7	5/16 Lock Washer

GRAZER

Grazer Division, Ingersoll Equipment Company
Winneconne, WI 54986

GRAZER

GROUNDS MOWERS

Models

SB51 SNOWBLOWER

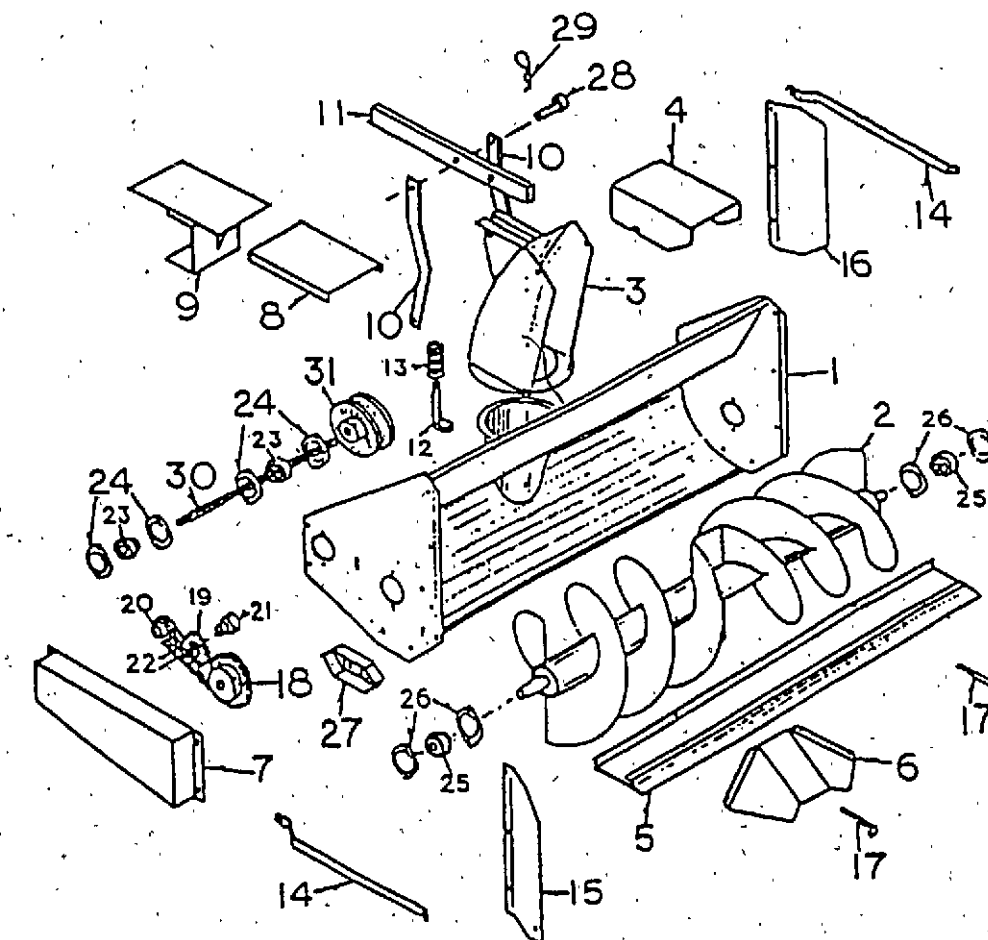
Parts List

GRAZER

Grazer Division, Ingersoll Equipment Company
Winneconne, WI 54986

SB51 SNOWBLOWER

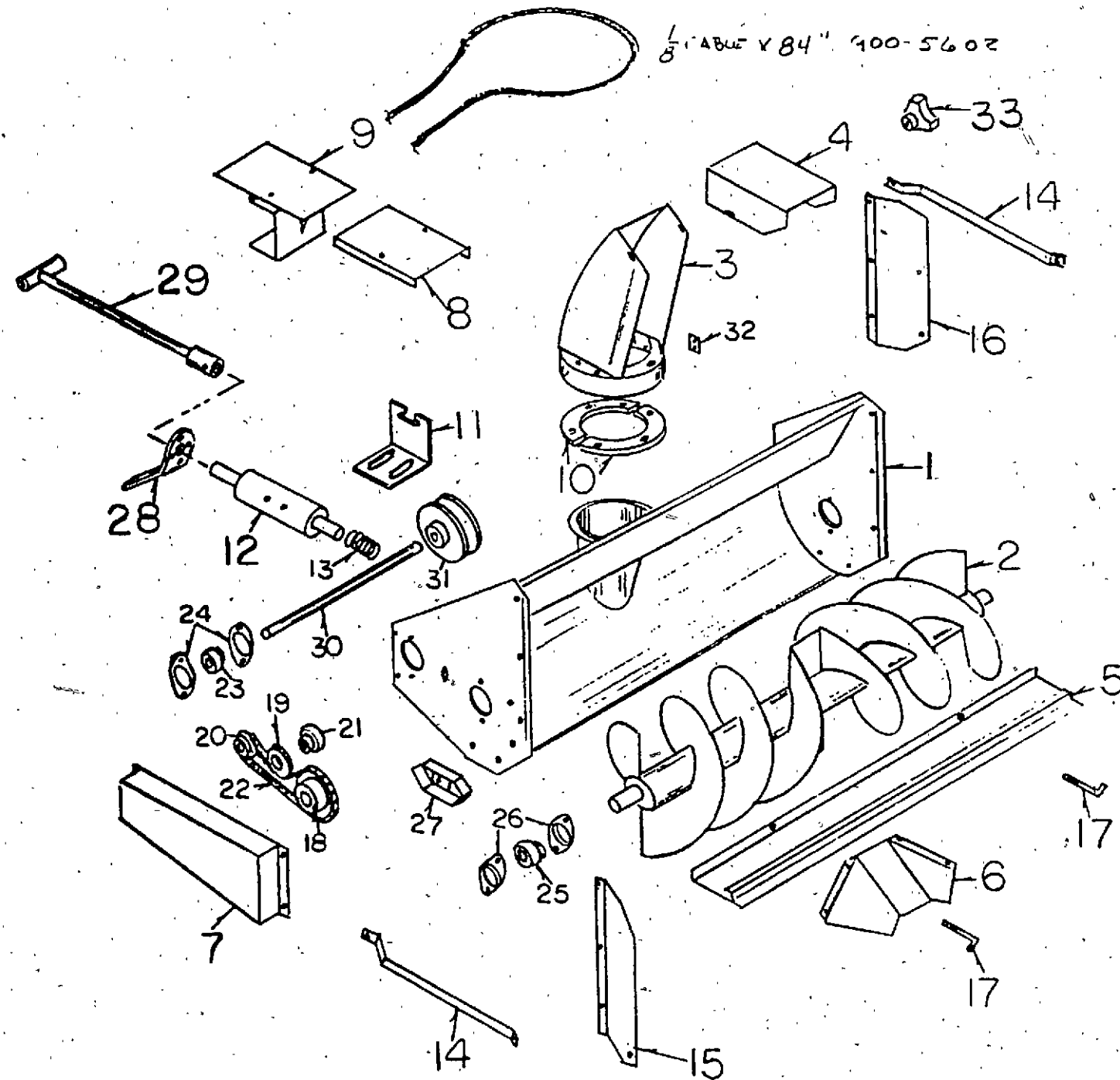
1983-1985



REF. NO.	PART NO.	NO. REQD.	DESCRIPTIONS
1.	430-0000	1	SNOWBLOWER HOUSING
2.	430-0001	1	AUGER
3.	430-0002	1	CHUTE
4.	430-0003	1	SNOW DEFLECTOR
5.	430-0004	1	BLADE
6.	430-0005	1	SNOW RETAINER
7.	430-0006	1	CHAIN GUARD
8.	430-0007	1	BELTGUARD (used with elec. clutched mowers only)
9.	430-0008	1	BELT RETAINER (used on mechanical clutched mower only)
10.	430-0009	2	CHUTE LOCK LINKAGE
11.	430-0010	1	HANDLE
12.	430-0011	1	CHUTE LOCK
13.	900-5579	1	CHUTE LOCK SPRING
14.	430-0012	2	EXTENDER BRACES
15.	430-0013	1	R.H. EXTENDER
16.	430-0014	1	L.H. EXTENDER
17.	430-0015	2	BLADE BOLT
18.	900-1508	1	AUGER SPROCKET
19.	900-1507	1	IDLER SPROCKET
20.	900-1506	1	DRIVE SPROCKET
21.	430-0016	1	IDLER SPROCKET BUSHING
22.	900-1006	1	CHAIN
23.	900-3509	2	3/4 BEARING
24.	900-3508	4	3/4 BEARING FLANGE
25.	900-3512	2	1 1/2 BEARING
26.	900-3511	4	1 1/2 BEARING FLANGE
27.	430-0017	2	SKID SHOES
28.	900-5519	1	PIN
29.	900-5520	1	HAIR PIN
30.	430-0018	1	SHAFT
31.	900-2510	1	PULLEY

SB5I SNOWBLOWER

1986-1987



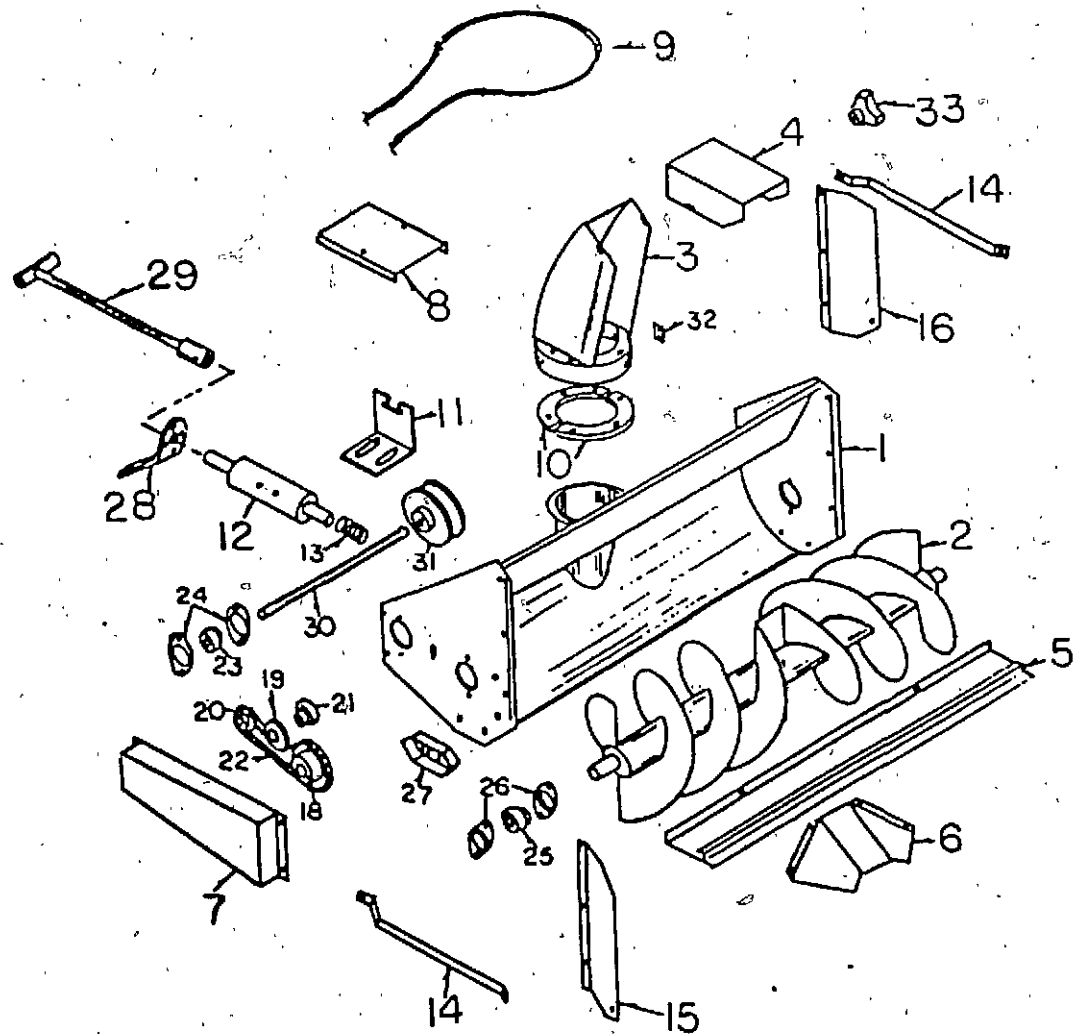
REF. NO.	PART NO.	QTY REQD.	DESCRIPTION
1.	430-0000	1	Snow Blower Housing
2.	430-0001	1	Auger
3.	430-0019	1	Chute
4.	430-0003	1	Snow Deflector
5.	430-0004	1	Blade
6.	430-0005	1	Snow Retainer
7.	430-0006	1	Chain Guard
8.	430-0007	1	Belt Guard (Ele. clutched mowers only)
9.	430-0008	1	Belt Guard (Mech. clutched mowers only)
10.	430-0020	2	Chute Clamp
11.	430-0022	1	Cable Retainer
12.	430-0023	1	Cable Pulley
13.	900-5600	1	Spring
14.	430-0012	2	Extender Brace
15.	430-0013	1	R. H. Extender
16.	430-0014	1	L. H. Extender
17.	430-0015	2	Blade Bolt
18.	900-1508	1	Auger Sprocket
19.	900-1507	1	Idler Sprocket
20.	900-1506	1	Drive Sprocket
21.	430-0016	1	Idler Sprocket Bushing
22.	900-1006	1	Chain
23.	900-3509	2	3/4" Bearing
24.	900-3508	4	3/4" Bearing Flange
25.	900-3512	2	1" Bearing
26.	900-3511	4	1" Bearing Flange
27.	430-0017	2	Skid Shoes
28.	430-0021	1	Cable Pulley Support
29.	430-0024	1	Handle
30.	430-0018	1	Shaft
31.	900-2510	1	Pulley
32.	430-0025	1	Cable Clamp
33.	900-5601	2	Wing Nut

BOLT SIZE	PART NO.	WHERE USED (SEE PARTS LIST)
1/4-20 x 1/2 Hex	900-6030	Ref. No. 7-8-9
1/4-20 x 3/4 "	900-6039	" " 6-11-28
1/4-20 x 3/4 Carg.	900-6040	" " 4
1/4-20 x 1 Hex	900-6031	" " 32
1/4-20 x 1-1/4 "	900-6041	" " 3
1/4-20 Nylon Nut	900-6027	" " 17
1/4-20 Nut	900-6026	" " 3-6-7-8-9-32
1/4 Lock Washer	900-6028	" " 3-6-7-8-9-11-28-32
1/4 Flat Washer	900-6029	" " 11 - 4
5/16-18 x 3/4 Hex	900-6054	" " 14-15-16-24-26
5/16-18 Nut	900-6050	" " 14-15-16-24-26-27
5/16 Lock Washer	900-6051	" " 14-15-16-24-26-27
3/8-16 x 2-1/4	900-6084	" " 21
3/8-16 Nut	900-6075	" " 21
3/8 Lock Washer	900-6076	" " 21
3/8-16 x 1 Carg.	900-6081	" " 27
3/8 Flat Washer	900-6077	" " 21
3/16 x 1-1/4 Cott. Key	900-6175	" " 29

SBSI SNOWBLOWER

1988 AND AFTER

Item	Part No.	Description	Qty.	Item	Part No.	Description	Qty.
1	4300000	Snow Blower Housing	1	20	9001506	Drive Sprocket (1800)	1
2	4300001	Auger	1	21	4300016	Idler Sprocket, Bushing	1
3	4300019	Chute	1	22	9001006	Chain	1
4	4300003	Snow Deflector	1	23	9003509	Bearing, 3/4"	2
5	4300026	Snow Blower Bit	1	24	9003508	Bearing Flange, 3/4"	4
6	4300005	Snow Retainer	1	25	9003512	Bearing, 1"	2
7	4300006	Chain Guard	1	26	9003511	Bearing Flange, 1"	4
8	4300007	Belt Guard	1	27	4300017	Skid Shoe	2
9	9005602	Cable, 1/8" x 84"	1	28	4300021	Cable Pulley Support	1
10	4300020	Chute Clamp	2	29	4300024	Handle	1
11	4300022	Cable Retainer	1	30	4300018	Shaft	1
12	4300023	Cable Pulley	1	31	9002510	Snowthrower Pulley (1800)	1
13	9005600	Spring	1		9002544	Snowthrower Pulley (2000)	1
14	4300012	Extender Brace	2	32	4300025	Cable Clamp	1
15	4300013	Extender, RH	1	33	9005601	Wing Nut	2
16	4300014	Extender, LH	1		6D5209	1/2 Link, #40 (2000)	1
18	9001508	Auger Sprocket	1				
19	9001507	Idler Sprocket	1				



INGERSOLL
 Ingersoll Equipment Co., Inc.

GRAZER

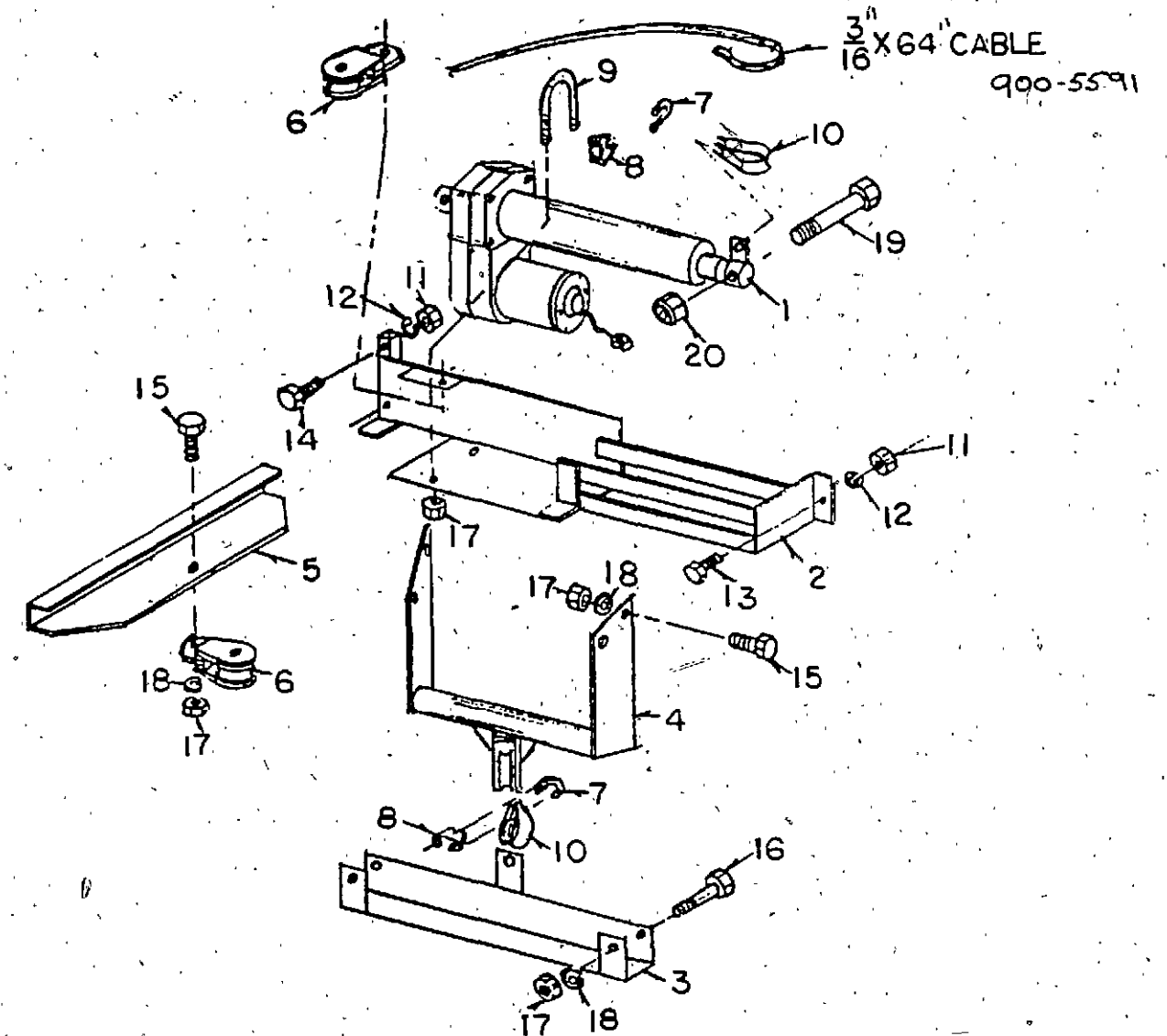
GROUNDS MOWERS

Models

EDL, BEPL, BECPL ELECTRIC DECK LIFT

Parts List

EDL ELECTRIC DECK LIFT



REF. NO.	PART NO.	NO. REQD.	DESCRIPTION
1.	900-2033	1	Actuator
2.	450-0000	1	Actuator Mount
3.	450-0002	1	Deck Lift Adapter
4.	450-0003	1	Cable Mount (Nose)
5.	450-0001	1	Cable Mount (Side)
6.	900-5589	2	Cable pulley
7.	900-5503	2	U-Bolt (cable)
8.	900-5593	2	Cable Clamp
9.	900-5592	1	U-Bolt (Actuator)
10.	900-5599	2	Cable Thimble
11.	900-6026	3	1/4-20 Nuts
12.	900-6028	3	1/4 Lock Washers
13.	900-6039	1	1/4-20 x 3/4
14.	900-6031	2	1/4-20 x 1
15.	900-6056	4	5/16-18 x 1
16.	900-6061	2	5/16-18 x 2
17.	900-6050	6	5/16-18 Nut
18.	900-6051	6	5/16 Lock Washers
19.	900-6136	1	1/2-13 x 4
20.	900-6126	1	1/2-13 Lock Nut

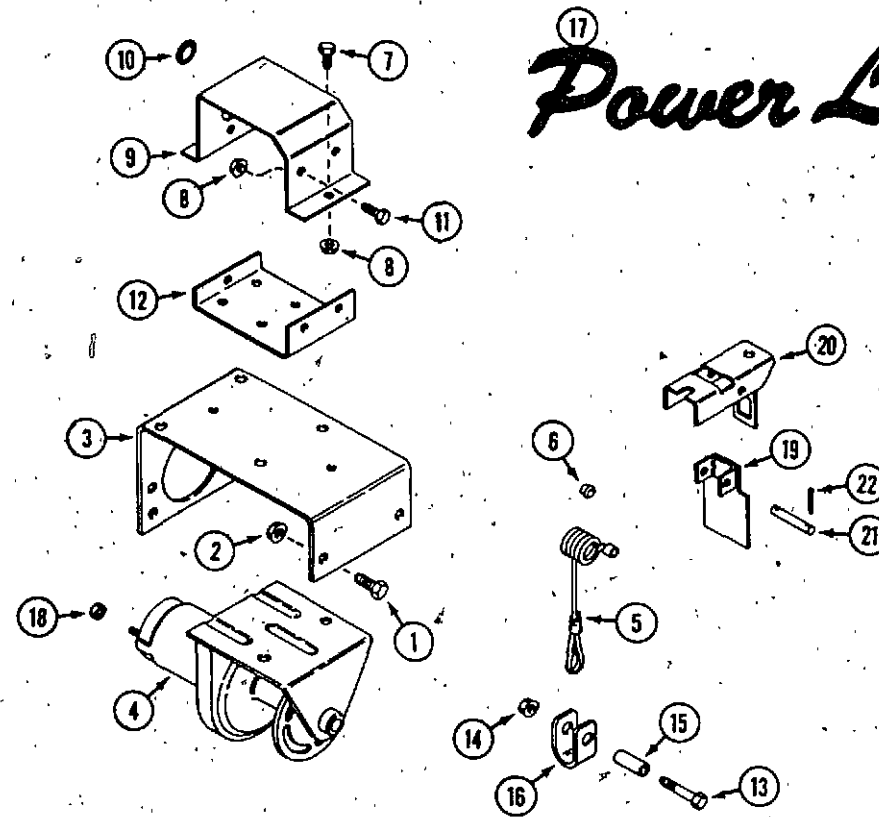
GRAZER

Grazer Division, Ingersoll Equipment Company
Winneconne, WI 54986

BEPL ELECTRIC DECK LIFT

(1890, 1890K, 1890V - Optional)
WINCH

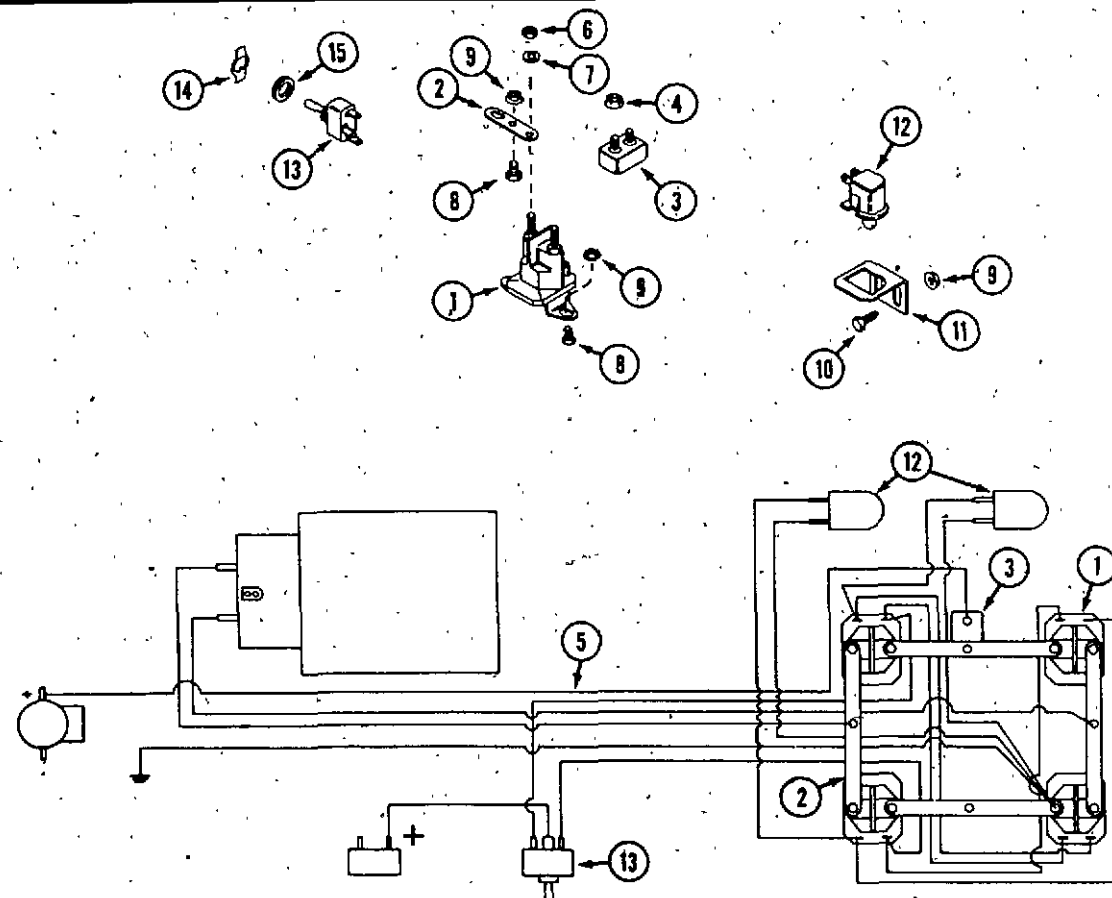
Power Lift



REF.	PART NO.	DESCRIPTION	REQ'D
1	113- 207	BOLT - 3/8" - 16 x 1"	6
1	C 44489	SCREW - 3/8" - 16 x 1" socket head	2
2	131- 938	NUT - 3/8" - 16 flange lock	8
3	C 43967	MOUNT - winch	1
4	C 43958	WINCH - deck lift	1
5	C 43375	CABLE	1
6	C 43992	PIN - cable keeper	1
7	113- 3	BOLT - 1/4" - 20 x 3/4"	2
8	131- 934	NUT - 1/4" - 20 flange lock	5
9	C 43962	COVER - solenoid	1
10	C 43964	GROMMET - 1" x 7/8"	1
11	113- 1	BOLT - 1/4" - 20 x 1/2"	3
12	C 43963	MOUNT - solenoid	1
13	113- 219	BOLT - 3/8" - 16 x 2"	1
14	131- 1352	NUT - 3/8" - 16 lock	1
15	C 43961	SPACER	1
16	C 43960	STRAP - lift	1
17	C 43412	DECAL - "Power Lift"	1
18	193-1000	NUT - #10 - 32	2
19	C 44361	ARM - trip	1
20	C 44364	MOUNT - trip arm	1
21	C 44367	PIN - pivot	1
22	132- 6	PIN - cotter 1/16" x 5/8"	2

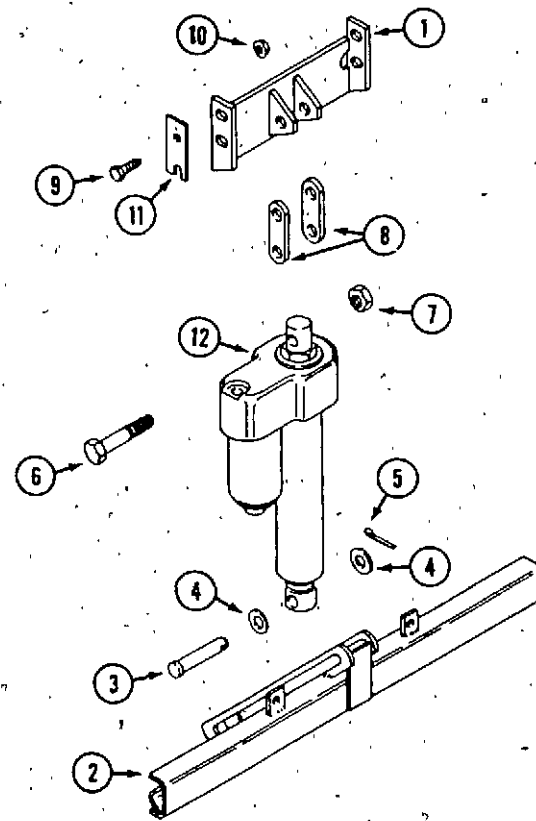
ELECTRICAL ASSEMBLY

1	C 33024	SOLENOID - 12V	4
2	C 43966	STRAP	4
3	C 43983	BREAKER - 40 amp, 12V	1
4	193-1000	NUT - #10 - 32	2
5	C 43969	HARNESS - wire	1
6	129- 101	NUT - 1/4" - 20	8
7	192- 19	LOCKWASHER - 1/4"	8
8	113- 1	BOLT - 1/4" - 20 x 1/2"	8
9	131- 934	NUT - 1/4" - 20 flange	10
10	113- 3	BOLT - 1/4" - 20 x 3/4"	2
11	C 43965	BRACKET - switch	2
12	C 33744	SWITCH - limit	2
13	C 43985	SWITCH - lift	1
14	C 44495	DECAL - switch identification	1
15	C 44471	NUT - 15/32" - 32, switch	1



BECPL ELECTRIC DECK LIFT

CYLINDER STYLE

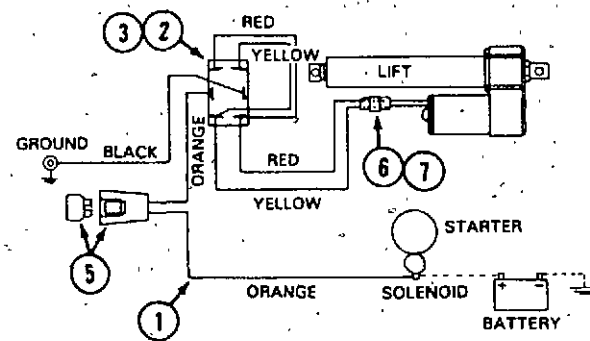


REF.	PART NO.	DESCRIPTION	REQ'D
1	C 45697	MOUNT - cylinder	1
2	C 45700	BAR - cross	1
3	C 29804	PIN - clevis 1/2" x 2-1/2"	1
4	195-2067	WASHER, - 1/2"	2
5	132-320	PIN - cotter 3/32" x 3/4"	1
6	113-426	BOLT - 1/2" - 13 x 2-3/4"	2
7	131-1182	NUT - 1/2" - 13 lock	2
8	C 45768	LINK - spacer	UAR
9	113-103	BOLT - 5/16" - 18 x 1"	4
10	131-911	NUT - 5/16" - 18 flange lock	4
11	C 45766	SHIM - cylinder mount	UAR
12	C 45706	CYLINDER - lift	1

BECPL ELECTRICAL SYSTEM (DECK LIFT)

CYLINDER STYLE

1	C 45705	HARNESS - wire	1
2	C 45775	SWITCH	1
3	C 45780	NUT - 15/32" - 32 with boot (switch mounting)	1
4	C 44495	DECAL - lift switch	1
5	C 30261	HOLDER - fuse	1
5	C 30260	FUSE - 30 amp	1
6	C 24813	CONNECTOR - wire harness	1
7	C 31948	CONNECTOR - lift actuator	1





GROUNDS MOWERS

Models

VAC01, VAC016 VACUUM BLOWER

VAC03 GRASS BOX

VACBX GRASS BOX

**VAC04 BARREL COLLECTOR (AIR COOLED
MOWERS)**

**VAC045 BARREL COLLECTOR (LIQUID COOLED
MOWERS)**

GRASS BAGGER

Parts List

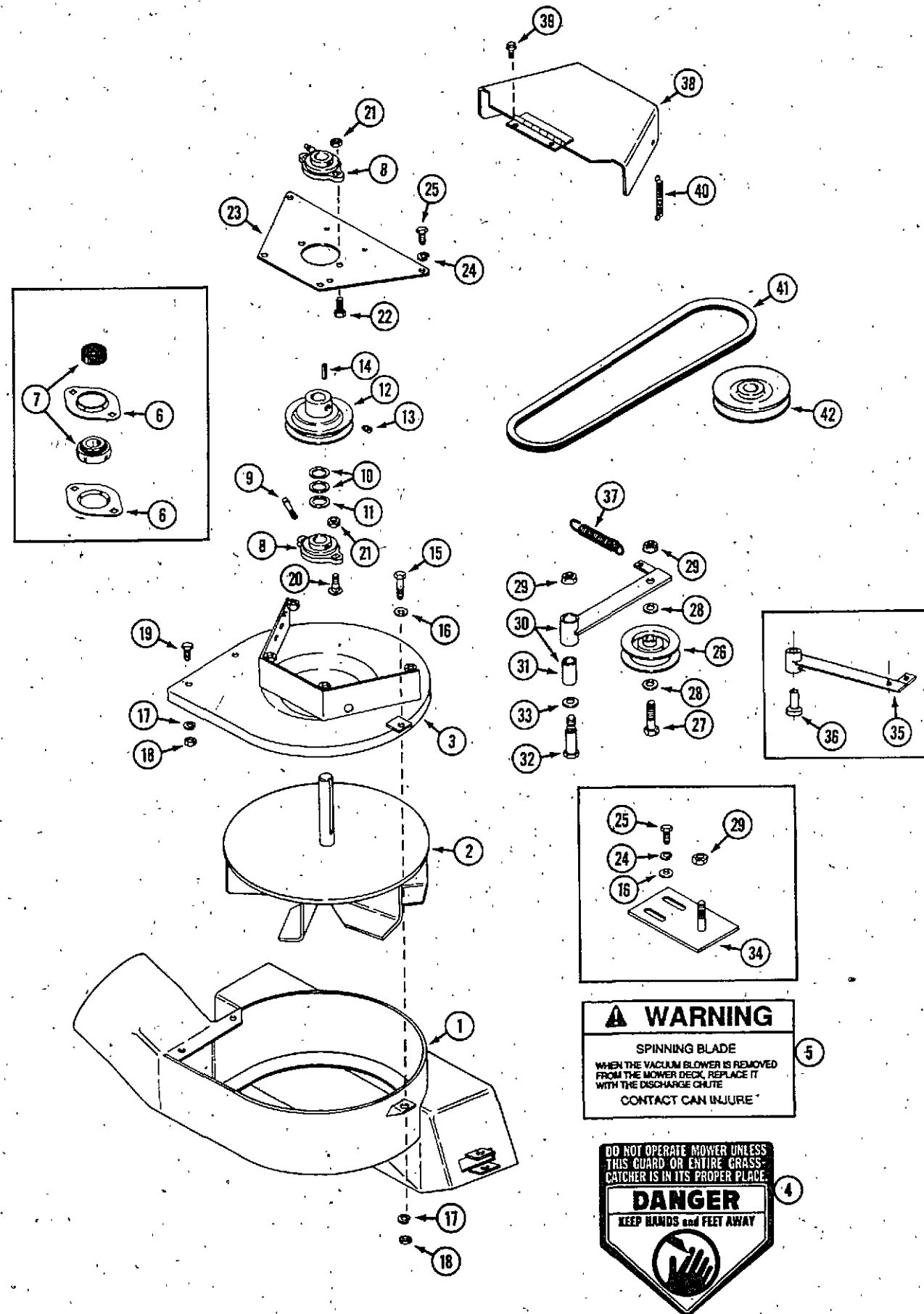
TABLE OF CONTENTS

VAC01, VAC016 VACUUM BLOWER	D4
VAC03 GRASS BOX	D5-D7
VACBX GRASS BOX	D10-D12
VAC04 BARREL COLLECTOR (AIR COOLED MOWERS)	D13
VAC045 BARREL COLLECTOR (LIQUID COOLED MOWERS)	D14
GRASS BAGGER	D15



Grazer Division, Ingersoll Equipment Company
Winneconne, WI 54986

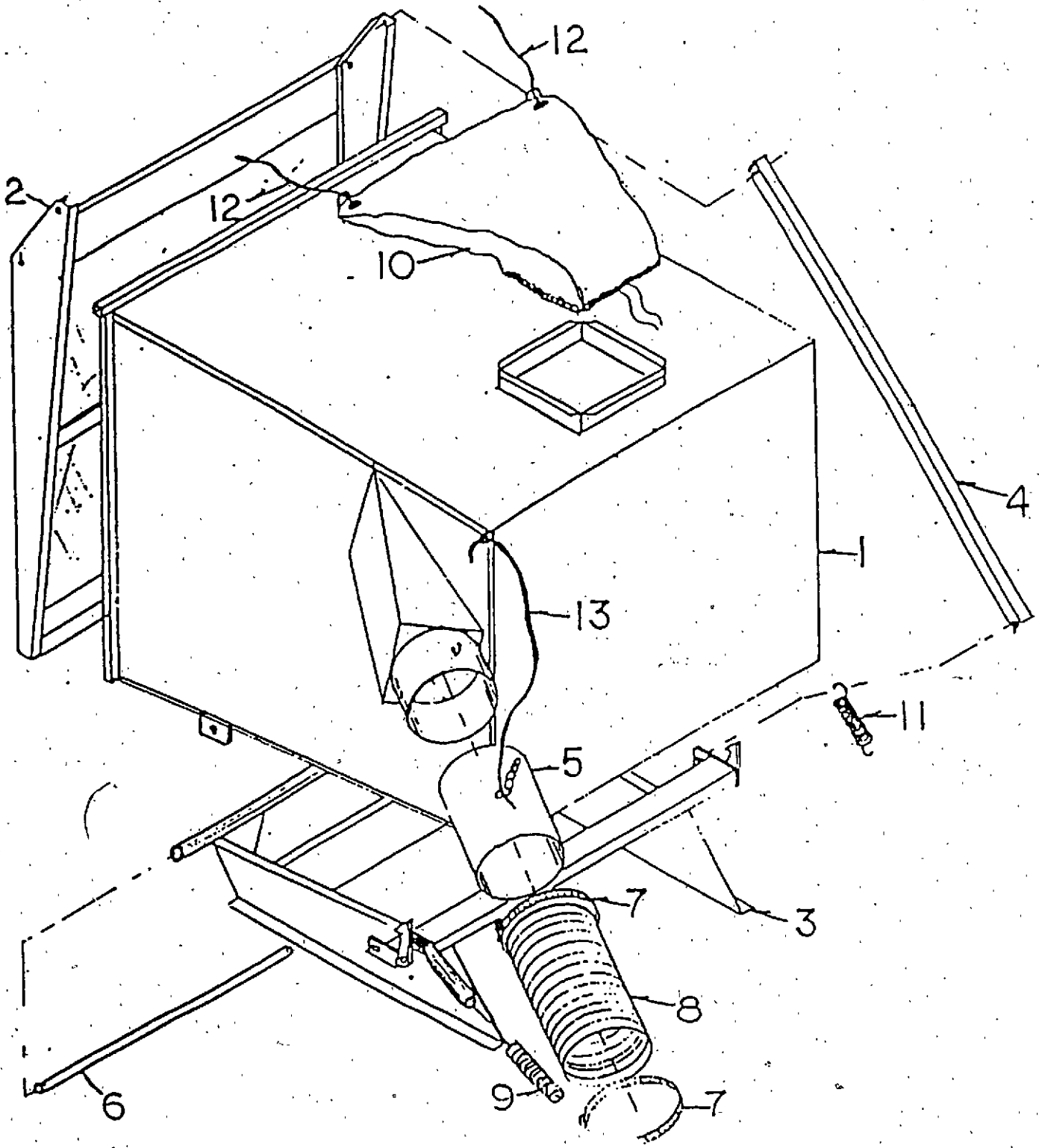
VAC01, VAC016 VACUUM BLOWER



REF.	PART NO.	DESCRIPTION	REQ'D
1	C45778	HOUSING - blower (for 42", 52" Deck)	1
1	C45779	HOUSING - blower (for 62" Deck)	1
2	C46258	BLADES - blower	1
3	C46308	LID - blower (includes decals)	1
4	C37494	DECAL - "DANGER"	1
5	C46264	DECAL - "WARNING"	1
6	C28277	FLANGE - bearing (early production)	4
7	C28817	BEARING - 3/4" with lock collar (early production)	2
8	C45919	BEARING - flange (current production)	2
	219-37	FITTING - grease 1/4" - 28 x 45°	1
9	C44100	FITTING - grease 1/4" - 28 x 1-5/8" (in lower bearing)	1
10	C27597	WASHER - shim .135"	2
11	C28226	WASHER - shim .036"	1
12	C38405	PULLEY - drive	1
13	83-55	SCREW - set 5/16" - 18 x 5/16"	2
14	C29581	KEY - 3/16" square x 1"	1
15	113-132	BOLT - 1/4" - 20 x 1-3/4"	1
16	195-102	WASHER - 5/16" x 3/4"	3
17	192-19	LOCKWASHER - 1/4"	3
18	129-101	NUT - 1/4" - 20	3
19	113-3	BOLT - 1/4" - 20 x 3/4"	2
20	111-203	BOLT - 5/16" - 18 x 1" carriage	2
21	131-176	NUT - 5/16" - 18 lock	4
22	113-103	BOLT - 5/16" - 18 x 1"	2
23	C38398	PLATE - bearing	1
24	192-20	LOCKWASHER - 5/16"	6
25	113-102	BOLT - 5/16" - 18 X 3/4"	6
26	C38864	PULLEY - idler	1
27	113-233	BOLT - 3/8" - 16 x 1-3/4"	1
28	195-103	WASHER - 3/8"	2
29	131-1352	NUT - 3/8" flange lock	2
30	C45820	ARM - idler (includes bushing) (current production)	1
31	C16714	BUSHING - straight sleeve	1
32	C16745	BOLT - shoulder	1
33	195-533	WASHER - 1/2"	1
34	C38575	BRACKET - tightener, idler pulley (early production)	1
35	NSS	ARM - idler (early production) (use C45820, C16745, 195-533, 131-1352)	1
36	C38401	BUSHING - idler arm, flanged	1
37	C38408	SPRING - idler arm	1
38	C46298	GUARD - belt	1
39	187-1036	SCREW - 1/4" - 20 1/2 tapping	2
40	C37837	SPRING - return	1
41	C37707	BELT - A39.38" (VAC01) 52" Deck (all except 2000 series)	1
41	C46302	BELT - A45.5" (VAC016) 62" Deck (all except 2000 series)	1
41	C37995	BELT - A38" (VAC01) 52" Deck (2000 series)	1
41	C38407	BELT - A44" (VAC016) 62" Deck (2000 series)	1
41	C37762	BELT - A35" (VAC01) 42" Deck	1
41	C38406	BELT - A34" (VAC01) (use with 42T12 Deck) (12.5 hp tractors)	1
42	C46301*	PULLEY - mower 6.5 (VAC016) 62" Deck	1
42	C46300*	PULLEY - mower 5.5 (VAC01) 52" Deck	1

* Special Pulleys
Used on units with AGRI-FAB or Chain drive

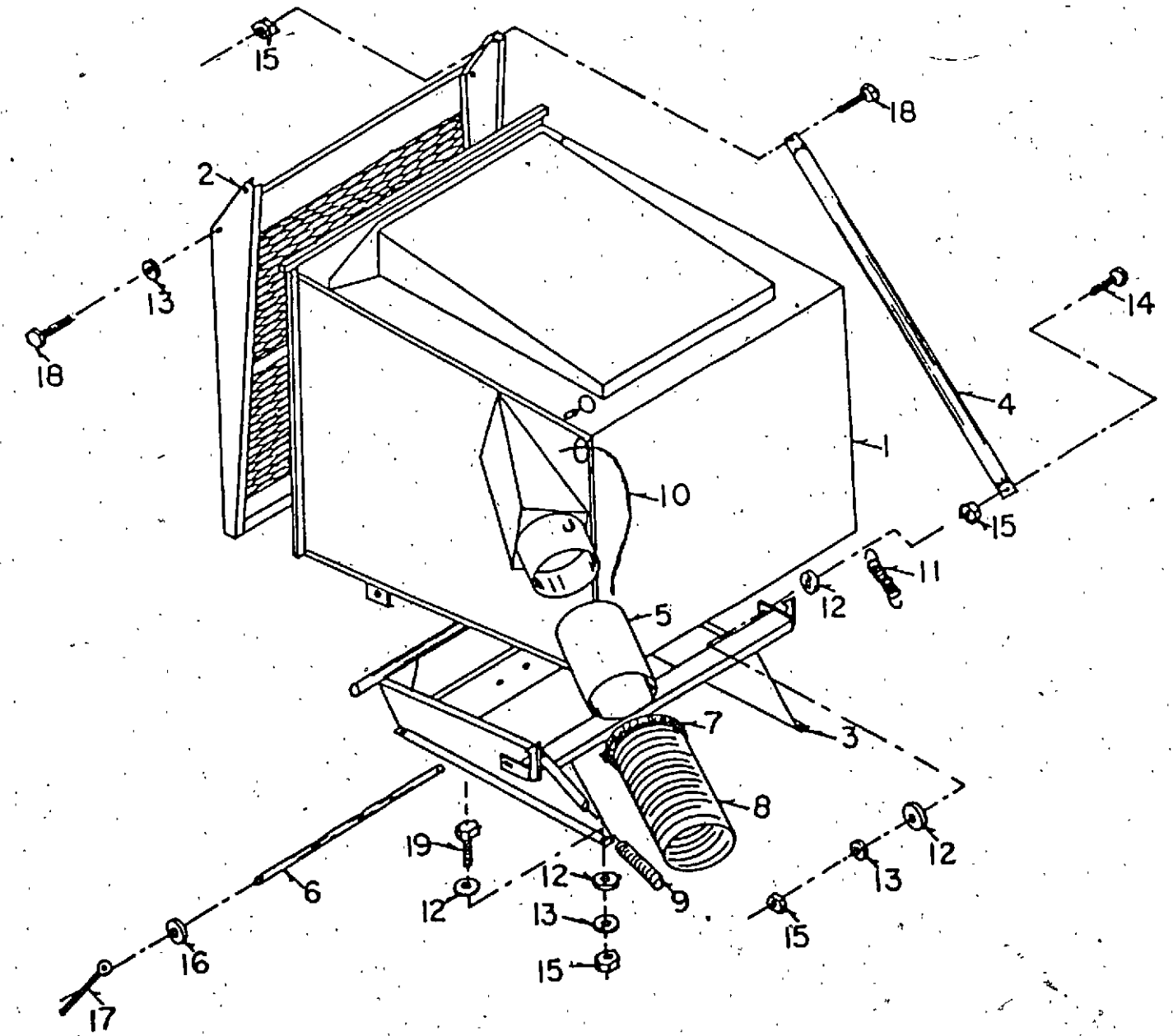
REF. NO.	PART NO.	NO. REQD.	DESCRIPTION	1983-1985
1.	420-0000	1	GRASS BOX	
2.	420-0001	1	DOOR	
3.	420-0002	1	BOX MOUNT	
4.	420-0003	2	DOOR LINKAGE	
5.	420-0004	1	MALE TUBE	
6.	420-0005	1	PIVOT PIN	
7.	900-5550	2	HOSE CLAMP	
8.	900-5552	1	HOSE	
9.	900-5500	2	HANDLE GRIP	
10.	900-5554	1	VENT BAG	
11.	900-5556	1	SPRING	
12.	900-5557	2	BAG ROPE	
13.	900-5558	1	MALE TUBE ROPE	



1986-1989

11 BUSHEL METAL GRASS BOX

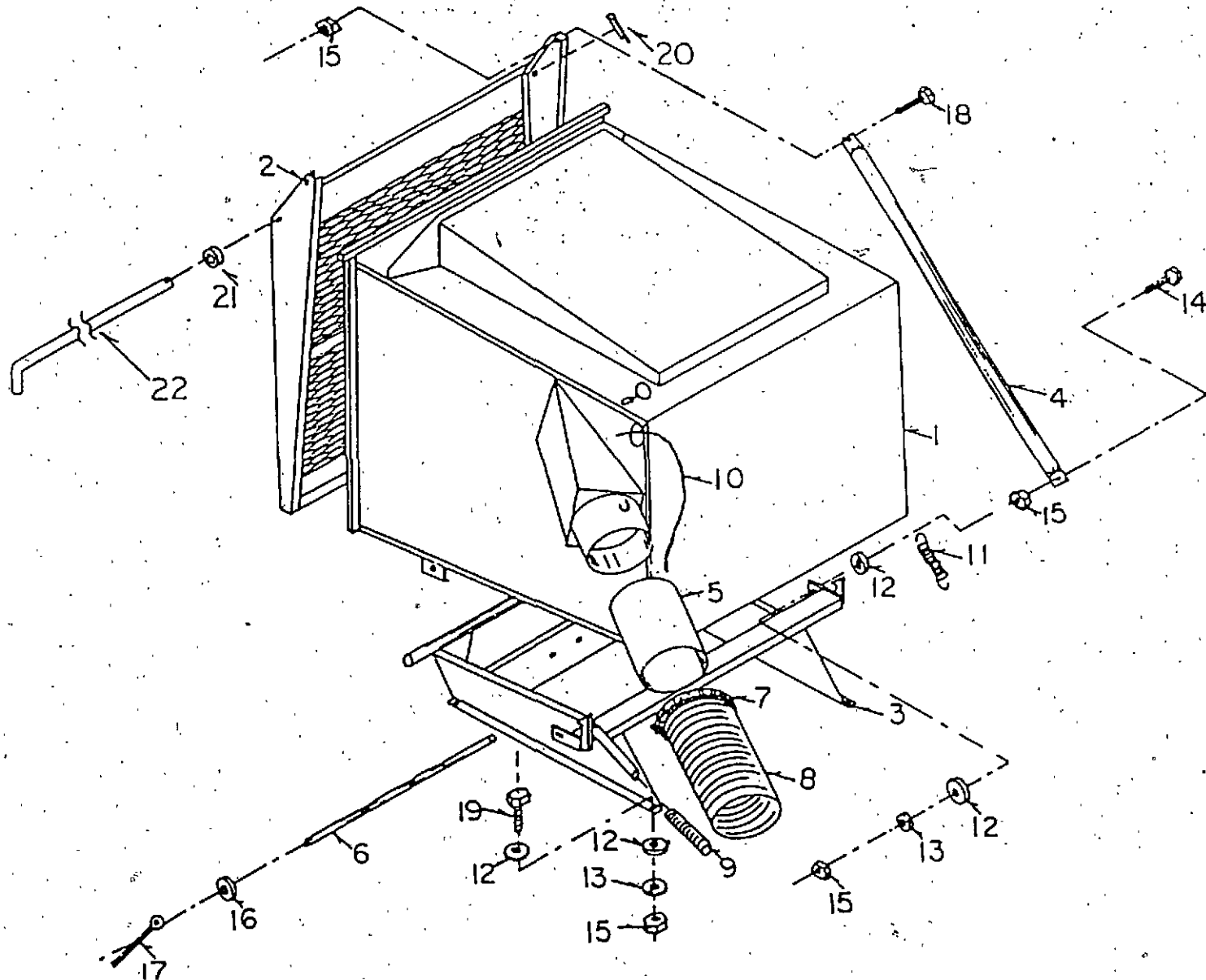
Item	Part No.	Description	Qty.	Item	Part No.	Description	Qty.
1	G420000G	Grass Box	1	11	G9005556	Spring	1
2	G4200001	Door	1	12	38002C	Flatwasher, 5/16"	12
3	G4200002G	Box Mount	1	13	35002C	Lockwasher, 5/16"	8
4	G4200003L	Door Linkage, LH (Shown)	1	14	31106H5C	Hex Cap Bolt, 5/16-18 x 1 1/4"	2
	G4200003R	Door Linkage, RH	1	15	33002C	Hex Nut, 5/16-18	8
5	G4200004	Male Tube	1	16	38004C	Flatwasher, 7/16"	2
6	G4200005	Pivot Pin	1	17	49023	Cotter Pin, 1/2" x 1"	2
7	G9005550	Hose Clamp	2	18	31105H5C	Hex Cap Bolt, 5/16-18 x 1"	4
8	G9005552	Hose	1	19	31103H5C	Hex Cap Bolt, 5/16-18 x 3/4"	4
9	G9005500	Handle Grip	2				
10	G9005558	Male Tube Rope	1				



1990-1995

11 BUSHEL METAL GRASS BOX

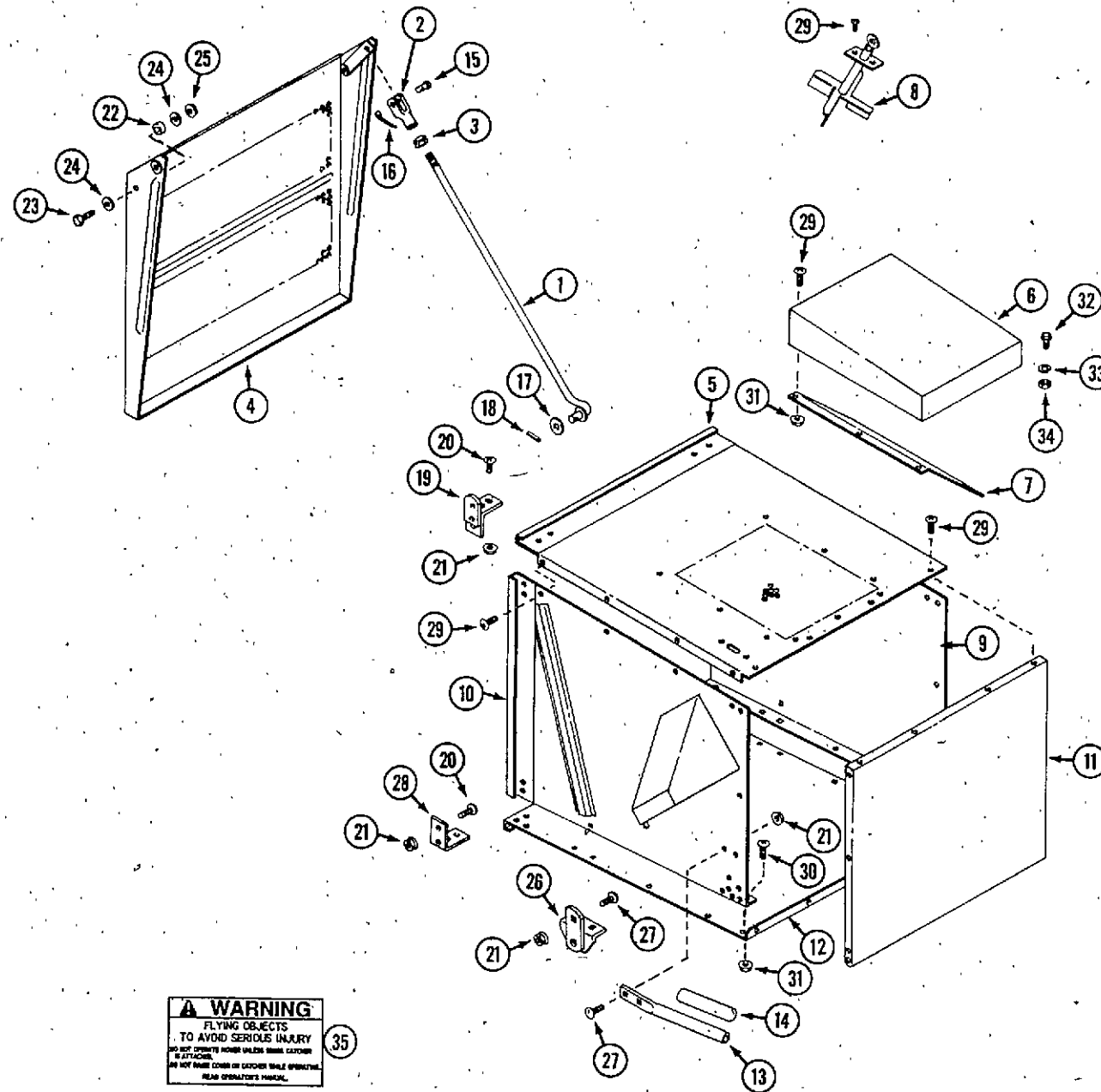
Item	Part No.	Description	Qty.	Item	Part No.	Description	Qty.
1	G420000G	Grass Box	1	12	38002C	Flatwasher, 5/16"	12
2	G4200001	Door	1	13	35002C	Lockwasher, 5/16"	8
3	G4200002G	Box Mount	1	14	31106H5C	Hex Cap Bolt, 5/16-18 x 1 1/4"	2
4	G4200003L	Door Linkage, LH (Shown)	1	15	33002C	Hex Nuc, 5/16-18	8
	G4200003R	Door Linkage, RH	1	16	38004C	Flatwasher, 7/16"	2
5	G4200004	Male Tube	1	17	49023	Cotter Pin, 3/16" x 1 1/4"	2
6	G4200005	Pivot Pin	1	18	31105H5C	Hex Cap Bolt, 5/16-18 x 1"	4
7	G9005550	Hose Clamp	2	19	31103H5C	Hex Cap Bolt, 5/16-18 x 3/4"	4
8	G9005552	Hose, 55"	1	20	49043	Cotter Pin, 1/8" x 1"	1
9	G9005500	Handle Grip	2	21	38001C	Flatwasher, 1/4"	2
10	G9005558	Male Tube Rope	1	22	G4200006	Pin, Grass Box Door	1
11	C9005556	Spring	1				



GRAZER

VACBX VACUUM BOX
BOX ASSEMBLY

1996 AND AFTER



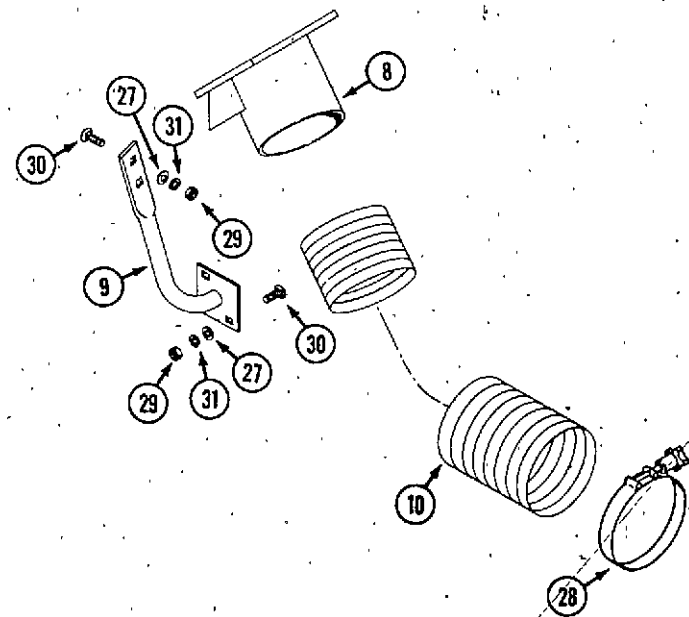
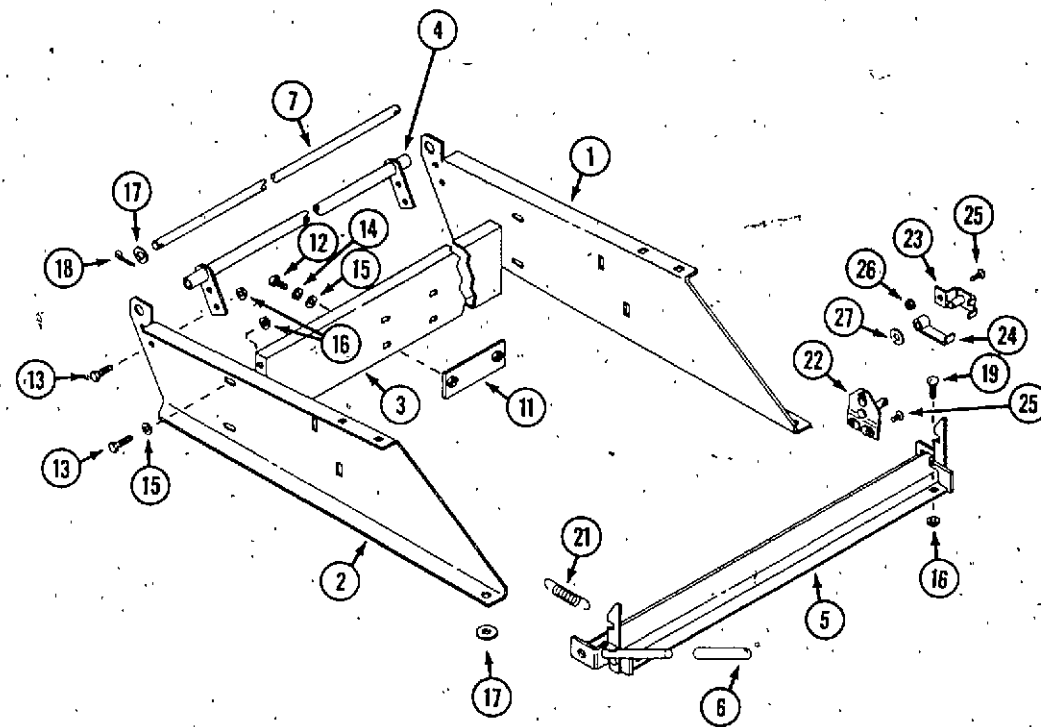
WARNING
FLYING OBJECTS
TO AVOID SERIOUS INJURY
DO NOT OPERATE POWER VALVES WHILE COVER IS ATTACHED.
DO NOT STAND CLOSE TO COVER WHILE OPERATING.
READ OPERATOR'S MANUAL.

WARNING
STAND CLEAR OF COVER

1	C46292	ROD - door release L.H. (shown)	1
1	C46124	ROD - door release R.H.	1
2	213-41	CLEVIS - 3/8"	2
3	129-163	NUT - 3/8" - 24	2
4	C46125	DOOR - rear	1
5	C46131	PANEL - top	1
6	C46134	SHROUD - exhaust	1
7	C46135	DEFLECTOR - exhaust	1
8	C46136	INDICATOR - air flow	1
9	C46139	PANEL - side L.H.	1
10	C46140	PANEL - side R.H.	1
11	C46146	PANEL - front	1
12	C46268	PANEL - bottom	1
13	C46180	HANDLE - box	1
14	C46009	GRIP - handle	1
15	141-54	PIN - clevis 3/8" x 1"	2
16	132-321	PIN - cotter 3/32" x 1"	2
17	195-2067	WASHER - 1/2"	2
18	138-92	PIN - roll 3/16" x 3/4"	2
19	C46168	BRACKET - door hinge	2
20	175-413	SCREW - 5/16" - 18 x 3/4"	2
21	131-C2	NUT - 5/16" - 18 flange lock	26
22	C16573	SPACER	2
23	113-209	BOLT - 3/8" - 16 x 1-1/2"	2
24	195-525	WASHER - 3/8"	4
25	131-1352	NUT - 3/8" - 16 flange lock	2
26	C46171	BRACKET - box hinge	2
27	111-132	BOLT - 5/16" - 18 x 3/4" carriage	8
28	C46169	BRACKET - corner	2
29	175-454	SCREW - 1/4" - 20 x 3/8"	28
30	175-405	SCREW - 1/4" - 20 x 1/2"	8
31	131-1351	NUT - 1/4" - 20 flange lock	8
32	121-21	BOLT - 1/4" - 20 x 1/2" flange lock	7
33	192-19	LOCKWASHER - 1/4"	7
34	129-101	NUT - 1/4" - 20	7
35	C46282	DECAL - "WARNING" flying objects	1
36	C46283	DECAL - "WARNING" stand clear	1

VACBX VACUUM BOX
MOUNTING FRAME AND TUBE

1996 AND AFTER



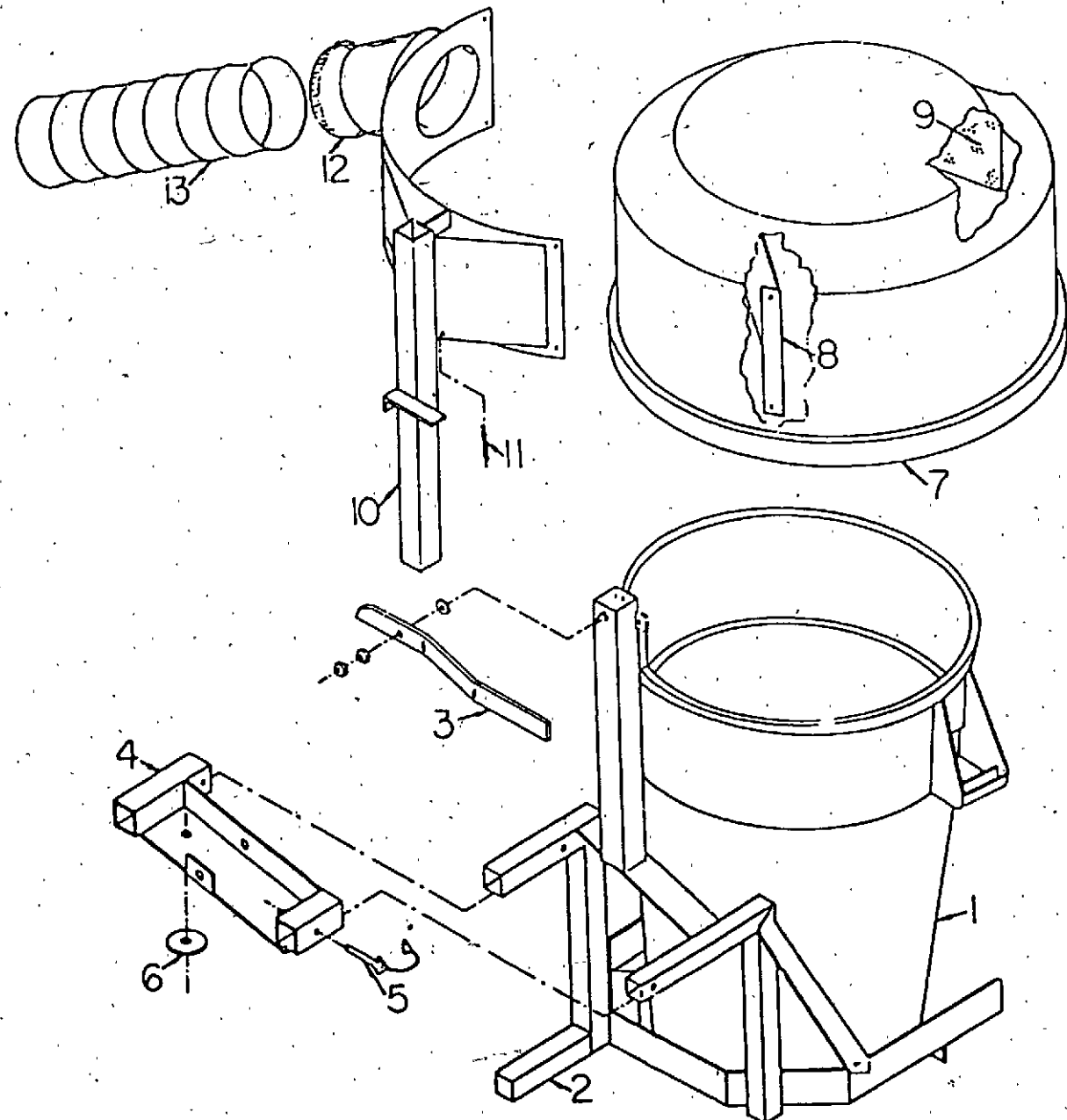
REF.	PART NO.	DESCRIPTION	REQ'D
1	C46107	RAIL - L.H. VACBX (shown)	1
1	C46183	RAIL - L.H. VACBXD	1
2	C46108	RAIL - R.H. VACBX (shown)	1
2	C46184	RAIL - R.H. VACBXD	1
3	C46110	CHANNEL - rear	1
4	C46111	HINGE - box	1
5	C46114	LATCH - box	1
6	C26020	GRIP - handle	1
7	C46122	ROD - hinge	1
8	C46156	COUPLING - tube	1
9	C46160	ARM - coupling mounting	1
10	C38419	TUBE	1
11	C46164	PLATE - stiffner	1
12	113-104	BOLT - 5/16" - 18 x 1-1/4"	2
13	113-102	BOLT - 5/16" - 18 x 3/4"	8
14	192-20	LOCKWASHER - 5/16"	2
15	192-103	WASHER - .375"	6
16	131-C2	NUT - 5/16" - 18 flange lock	12
17	195-533	WASHER - 1/2"	4
18	132-310	PIN - cotter 1/8" x 1"	2
19	111-132	BOLT - 5/16" - 18 x 3/4" carriage	4
20	187-1036	SCREW - 1/4" - 20 x 1/2" (not shown) replace fender screws	2
21	C38434	SPRING - latch	1
22	C46174	ANCHOR - latch	2
23	C46176	ANCHOR - pawl	1
24	C46380	PAWL - latch	1
25	175-454	SCREW - 1/4" - 20 x 3/8"	7
26	131-1351	NUT - 1/4" - 20 flange lock	1
27	195-104	WASHER - .406	5
28	C46359	CLAMP - hose 6" (includes knob)	2
	C46360	KNOB - clamp	2
29	129-103	NUT - 3/8" - 16	4
30	111-371	BOLT - 3/8" - 16 x 1" carriage	4
31	192-21	LOCKWASHER - 3/8"	4

GVAC045 BARREL COLLECTOR - LIQUID-COOLED MOWERS

GVAC04 BARREL COLLECTOR - AIR-COOLED MOWERS

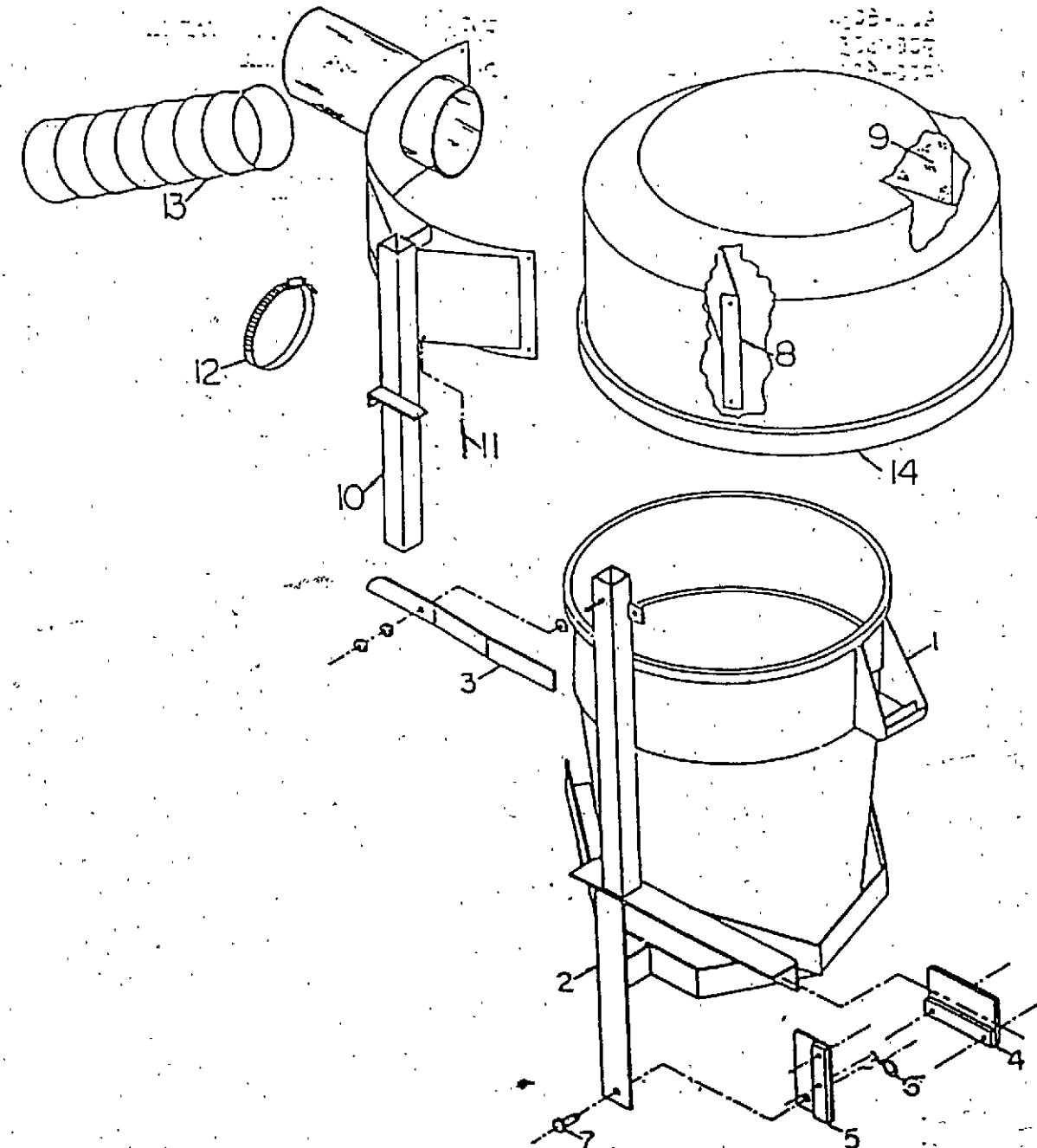
Item	Part No.	Description	Qty.
1	G9005726	Barrel	1
2	G4600000	Barrel Mount (Air-cooled)	1
3	G4600002	Handle	1
4	G4600001	Barrel Mounting Bracket	1
5	G9005615	Fas-tatch Pin	2
6	G2000015	Body Mount Washer	2
7	G9005727	Barrel Lid	1

Item	Part No.	Description	Qty.
8	G4600009	Deflector	1
9	G4600004	Screen	1
10	G4600003	Barrel Lid Mount	1
11	G9005569	Spring	1
12	600225	Hose Clamp	2
13	G9005552	Hose	1



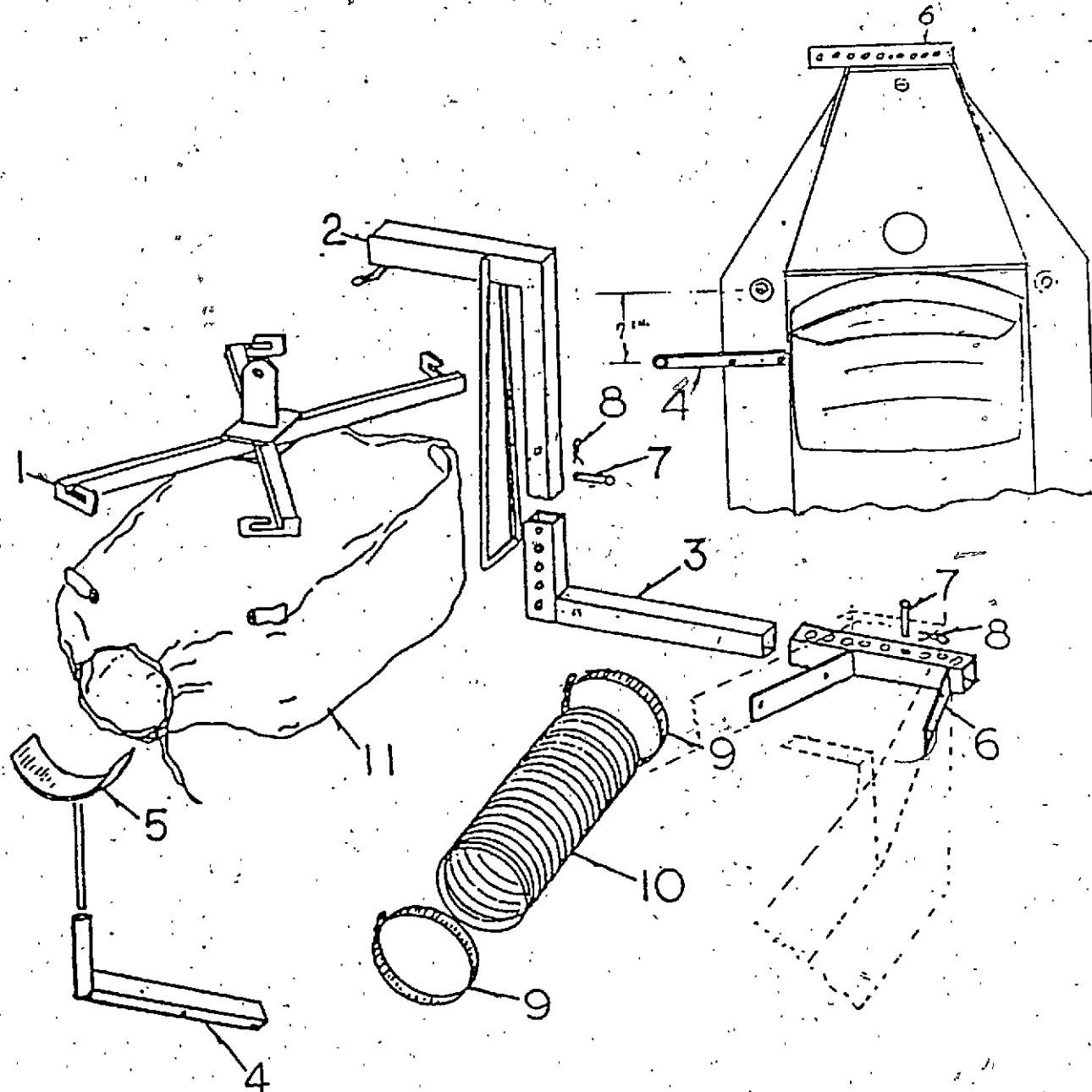
Item	Part No.	Description	Qty.
1	G9005726	Barrel	1
2	G4600005	Barrel Mount (Liquid-cooled)	1
3	G4600002	Handle	1
4	G4600007	Top Mount	1
5	G4600008	Bottom Mount	1
6	49207	Hair Pin Cotter, .120 x 2 1/2"	1
7	41954	Clevis Pin, 1/2" x 1 1/2"	1

Item	Part No.	Description	Qty.
8	G4600009	Deflector	1
9	G4600004	Screen	1
10	G4600006	Barrel Lid Mount	1
11	G9005569	Spring	1
12	600225	Hose Clamp	2
13	G9005815	Hose	1
14	G9005727	Barrel Lid	1



GRASS BAGER

REF. NO.	PART NO.	NO. REQD	DESCRIPTION
1.	410-0000	1	GRASS BAG HANGER
2.	410-0001	1	VERTICAL ARM
3.	410-0002	1	HORIZONTAL ARM
4.	410-0003	1	HANGER BRACKET
5.	410-0004	1	VAC HOSE SADDLE
6.	410-0005	1	REAR MOUNTING BRACKET
7.	900-5555	2	PINS
8.	900-5520	2	HAIR PINS
9.	900-5550	2	HOSE CLAMP
10.	900-5551	1	HOSE
11.	900-5553	1	BAG
4 & 6	900-6050	6	5/16-18 Nut
4 & 6	900-6051	6	5/16 LOCK WASHER
4 & 6	900-6054	6	5/16-18 x 3/4 BOLT



INGERSOLL
 Ingersoll Equipment Co., Inc.