

**Ingersoll**

**ROTARY MOWERS**  
**AHRM44, AHRM48, AHRM60**

**SNOWBLOWERS**  
**AHSB48, DHSB48**  
**Parts Catalog 8-3230**

**INDEX**

**PAINT**

**GENERAL INFO**

**APPLICATION CHART**

<b>ATTACHMENT</b>	<b>TRACTOR MODEL</b>
AHRM44, AHRM48	3118, 4116, 4118, 4120
AHRM60	3118, 4116, 4118, 4120
AHSB48	3118, 4116, 4118, 4120

INDEX

INDEX

There is an index at the front and rear of this catalog. The front index is an alphabetical index of the major groups or assemblies.

The rear index is a numerical index of the part numbers and pages on which these numbers are shown.

ILLUSTRATION

Each illustration in this catalog shows a group of parts or components. These parts and components are aligned approximately as the parts and components on your machine. Each part and component in an illustration has a reference number. These reference numbers are in a list on the page opposite of the illustration. Next to the reference number is the part number, description and required quantity of the part shown in the illustration.

UAR - "Use as required" indicates that the part quantity is variable

NSS - "Not sold separately" indicates that the part is only available as component of an assembly or the part must be purchased locally. If the part is an assembly component, the description will be indented under the assembly description in the parts list.

O/L - "Obtain locally"

- "Footnotes" are added to a part number when more information is needed for identification. They only relate to the part numbers indicated. All orders must include the following information

PARTS ORDERS

1. Correct part number.
2. Complete description of part or component.
3. Total quantity of each part or component.
4. Product model number.
5. All necessary product identification numbers.
6. Method for sending the parts
7. Complete and correct address.

CATALOG REVISIONS

As the product changes, new pages will be available for your catalog. A notice will be issued

**IMPORTANT:** Put all revisions into the catalog as soon as possible.

RIGHT HAND AND LEFT HAND IDENTIFICATION

The words right hand (RH) and left hand (LH) as used in this catalog indicate the direction while you are in the operator's seat in the normal operating position.

INDENTED DESCRIPTIONS

An assembly can have many components. The components of an assembly are indicated by an indented description. The quantity for an indented part is the total needed for that complete assembly. See the example.

REF.	PART NO.	DESCRIPTION	REQ'D
	C 55159	CYLINDER ASSY - rear steering	1
28	C 56208	SOCKET ASSY - rear cylinder	1
29	C 55956	PLUG - adjusting, socket assy	1
30	C 55957	SEAT- socket, ball	2
31	C 56210	SPRING-socket	1
32	C 56209	SEAT - socket spring	1
33	G 45175	CLAMP ASSY - socket assy	1
	16- 836	BOLT-1/2"x2-1/4" N.F. hex	1
34	132- 104	PIN-cotter, 3/16"x3"	1
35	C 55889	STUD - ball, socket & cylinder	2
36	13- 410	BOLT-1/4"x5/8"N.C.,hex	4
37	92- 4	LOCK WASHER - 1/4"SAE	4

**MAIN**

**AHRM44, AHRM48**

Deck, Covers and Lift Links .....	5
Mounting Bracket and Tow Frame .....	7
Deck Belt and Idler Pulleys.....	7
Rear Axle and Leveling Linkage.....	9
Spindles and Blades.....	9
Hydraulic System.....	21
Hydraulic Motor.....	21
Decals.....	27

**AHRM60**

Deck, Belts and Deck Covers.....	11
Pulleys, Blades and Spindles .....	13
Axle and Mounting Brackets .....	15
Hydraulic System.....	23
Hydraulic Motor.....	21
Decals.....	27

**AHSB48**

Auger Housing, Chute Control and Lift Assembly ..	17
Auger and Drive Shaft .....	19
Hydraulic System .....	25
Hydraulic Motor.....	21
Decals.....	27

INDEX

PAINT AND OIL

PAINT

REF.	PART NO.	DESCRIPTION	REQ'D
1	C 28849	BLACK - semi - gloss, 12 oz spray (2 per carton) .....	1
2	C 28850	BLACK - semi - gloss, quart (2 per carton) .....	1
3	C 28850	BLACK - semi - gloss, heat resistant, 12 oz spray (2 per carton) .....	1
4	C 28484	POWER RED - gloss, 12 oz spray (2 per carton) .....	1
5	C 28485	POWER RED - gloss, quart (2 per carton) .....	1
6	C 30870	SILVER - gloss, 12 oz. spray (2 per carton) .....	1
7	C 31643	POWER RED - gloss, 1 oz touch up, (1 doz. per carton) .	1

OIL

1	C 32776	OIL - SAE 30, SF, quart (12 per case) .....	1
2	C 32777	OIL - SAE 5W20, SF, quart (12 per case) .	1
3	C 32778	OIL - SAE 20W40, SF, quart (12 per case) .....	1

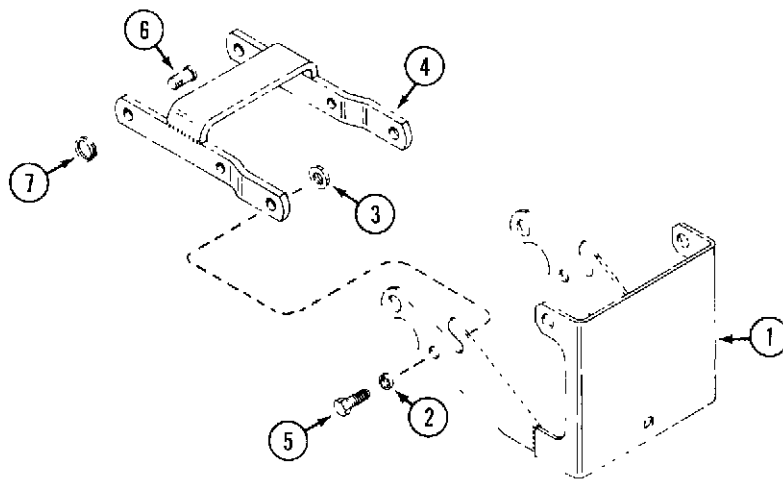


**INDEX**

**AHRM44 AND AHRM48 ROTARY MOWERS  
DECK, COVERS AND LIFT LINKS**

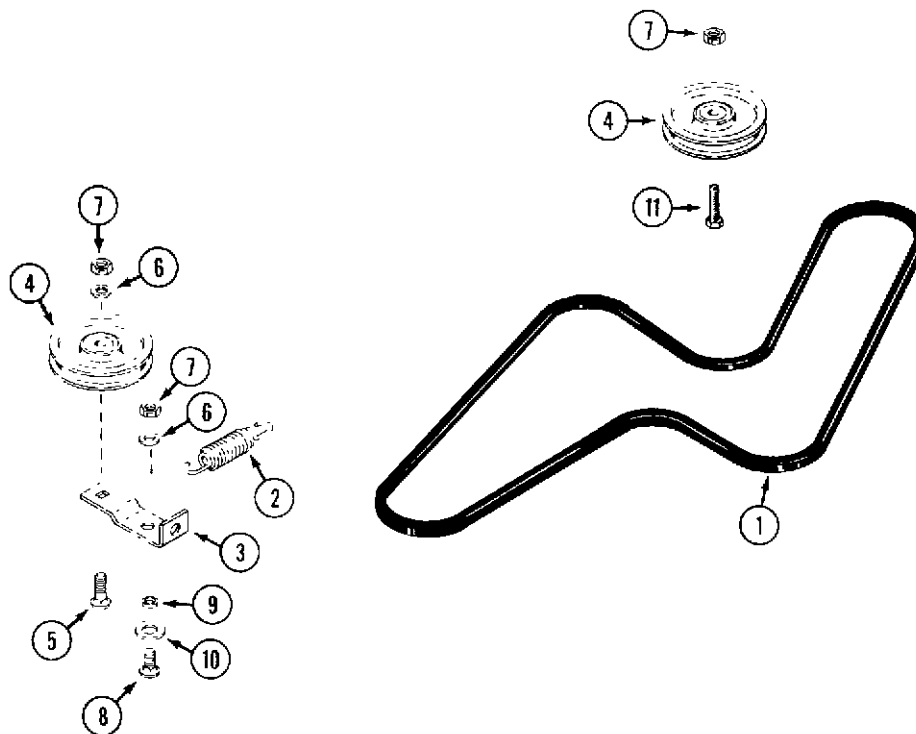
REF.	PART NO.	DESCRIPTION	REQ'D
1	C42164	COVER - deck belt (AHRM44) .....	1
1	C37342	COVER - deck belt (AHRM48) .....	1
2	C28105	RING - retaining .....	4
3	195-533	WASHER - 1/2" .....	2
4	187-1036	SCREW - 1/4" x 1/2" self-tapping.....	UAR
5	C18315	LINK - lift (use with tractor model 3118) .....	2
6	C25703	LINK - lift (use with tractor models 4116, 4118, 4120). .....	2
7	C31500	ROLLER - anti-scalp .....	2
8	C31501	SPACER - sleeve.....	2
9	111-375	BOLT - 3/8" - 16 x 3" carriage .....	1
9	113-241	BOLT - 3/8" - 16 x 3 hex head .....	1
10	131-938	NUT - 3/8" - 16 flange lock .....	2
11	C42165	DECK - mower (AHRM44) .....	1
11	C37325	DECK - mower (AHRM48) .....	1
12	C32958	DEFLECTOR - chute .....	1
13	C30766	ROD - pivot.....	1
14	C30768	NUT - push.....	2
1 5	C31505	SPRING - chute .....	1
16	C10821	PIN - clevis .....	4
17	C42173	COVER - motor (AHRM44) .....	1
17	C37341	COVER - motor (AHRM48) .....	1
18	C31518	SKID - rear .....	1
19	113-102	BOLT - 5/16" - 18 x 3/4" .....	4
20	131-911	NUT - 5/16" - 18 .....	4
21	C40953	TRIM - liner.....	4

INDEX



---

INDEX



**INDEX**

**AHRM44 AND AHRM48 ROTARY MOWER**

**MOUNTING BRACKET AND TOW FRAME**

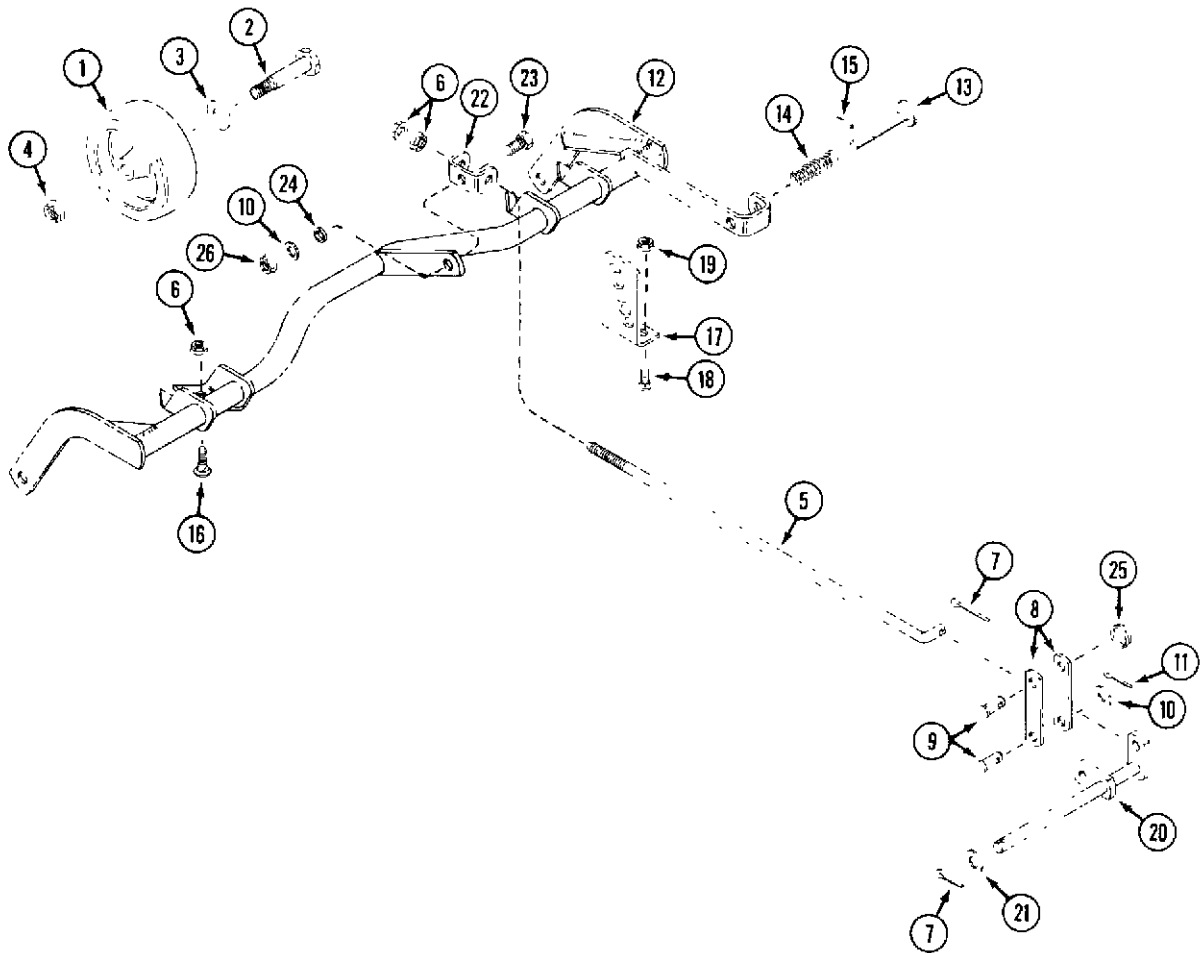
REF.	PART NO.	DESCRIPTION	REQ'D
1	C37392	BRACKET - mounting ..	1
2	C14768	SPACER - sleeve.....	2
3	131-1352	NUT - 3/8" - 16 flange .....	2
4	C37323	FRAME - tow .....	1
5	113-208	BOLT-3/8" - 16x 1-1/4" .....	2
6	C10821	PIN - clevis 1/2" x 1" .....	2
7	C28105	RING - retaining .....	2

**DECK BELT AND IDLER PULLEYS**

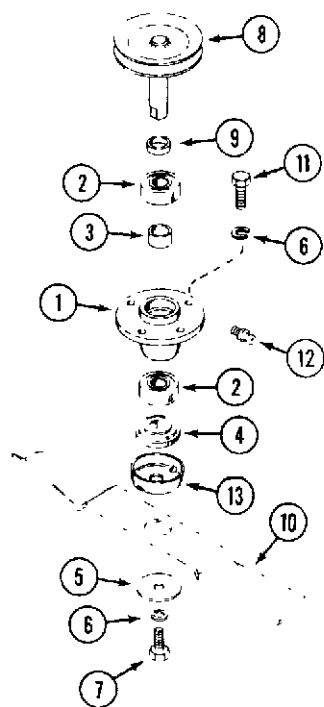
1	C42446	BELT - mower deck (AHRM44) .....	1
1	C37062	BELT - mower deck (AHRM48) .....	1
2	C14482	SPRING - tension.....	1
3	C37331	ARM - idler .....	1
4	C12251	PULLEY - backside idler .....	2
5	111-366	BOLT - 3/8" - 16 x 1-1/4" carriage.....	1
6	195-525	WASHER - 3/8" .....	2
7	131-1181	NUT - 3/8" lock .....	3
8	111-371	BOLT - 3/8" - 16 x 1" carriage .....	1
9	C14768	SPACER - sleeve.....	1
10	195-105	WASHAER - 1/2 .....	1
11	113-102	SCREW - 3/8" - 16 x 1-3/4" .....	1



INDEX



INDEX



**INDEX**

**AHRM44 AND AHRM48 ROTARY MOWER**

**REAR AXLE AND LEVELING LINKAGE**

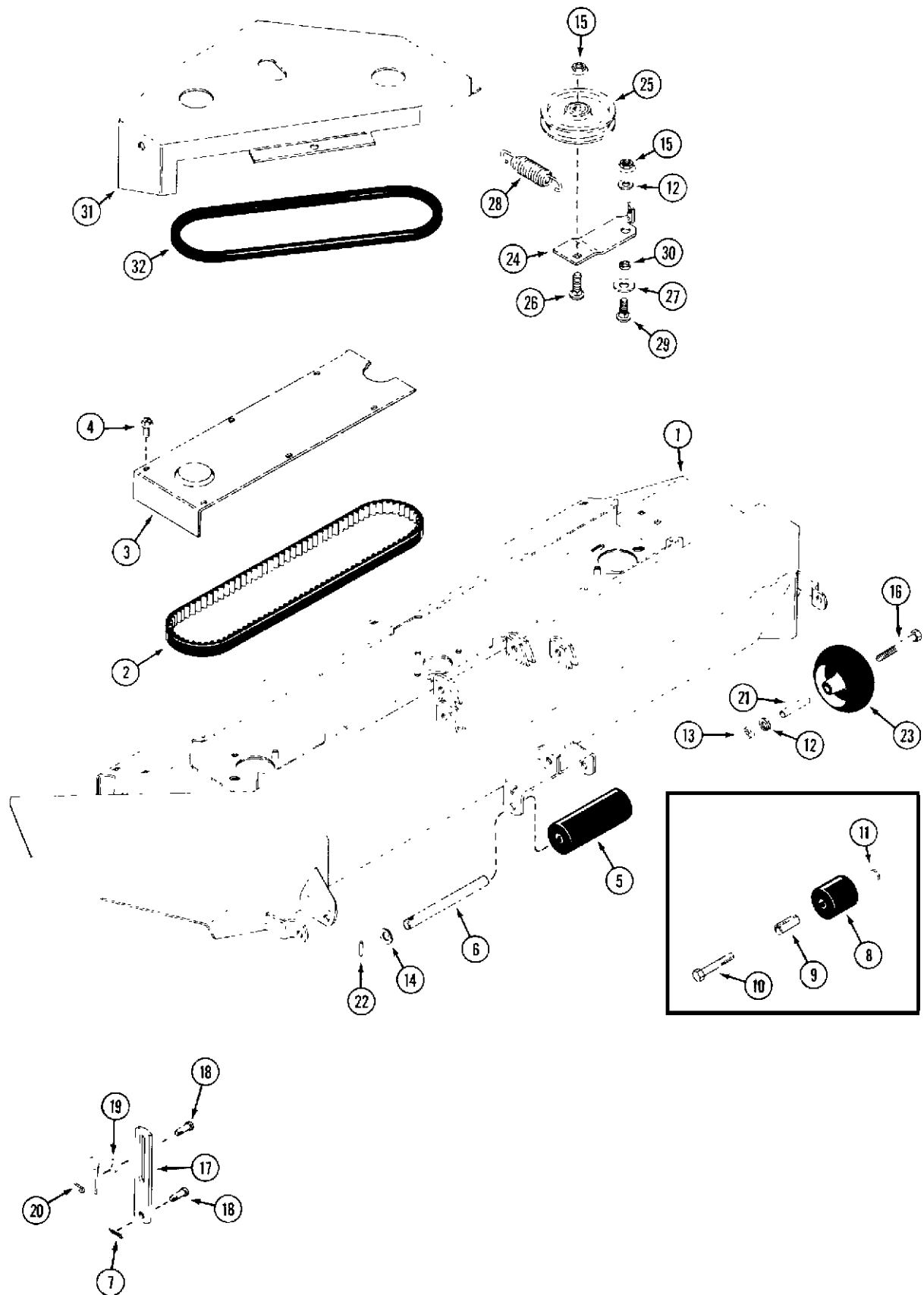
REF.	PART NO.	DESCRIPTION	REQ'D
1	C31498	WHEEL - gauge .....	2
2	C31499	BOLT - shoulder.....	2
3	195-541	WASHER - .656" x 1.312" .....	4
4	131-930	NUT - 1/2" - 13 flange lock.. .. .	2
5	C31577	ROD - level adjust .....	1
6	131-938	NUT - 3/8" - 16 flange lock.. .. .	8
7	132-310	PIN - cotter 1/8" x 1" .....	2
8	C31580	STRAP - connector (AHRM48) shown. ....	2
8	C42447	STRAP - connector (AHRM44) .....	2
9	141-54	PIN - clevis 3/8" x 1" .....	1
10	195-525	WASHER - 3/8" .....	1
11	132-320	PIN - cotter 3/32" x 3/4" .....	1
12	C37336	AXLE - mower (AHRM48) . ....	1
12	C42169	AXLE - mower (AHRM44) . ....	1
13	C20005	PIN - locking .....	1
14	C10482	SPRING - compression.....	1
15	138-96	PIN - roll 3/16" x 1" .....	1
16	111-340	BOLT - 3/8" - 16 x 3/4" carriage .....	6
17	C15935	BRACKET - height adjust.....	1
18	111-132	BOLT - 5/16" - 18 x 3/4" carriage.....	2
19	131-911	NUT - 5/16" - 18 flange lock.....	2
20	C37327	BELLCRANK - leveling .....	1
21	195-533	WASHER - 1/2" .....	1
22	C31579	BRACKET - channel .....	1
23	113-207	BOLT - 3/8" - 16 x 1" .....	1
24	C16573	SPACER - sleeve.....	1
25	C28105	RING - retaining .....	1
26	131-1352	NUT - 3/8" - 16 flange head .....	1

**INDEX**

**SPINDLES AND BLADES**

REF.	PART NO.	DESCRIPTION	REQ'D
1	C40723	HOUSING - spindle .....	3
2	C28971	BEARING - spindle .....	6
3	C10810	SPACER - bearing .....	3
4	C25542	ADAPTER - blade .....	3
5	C31452	WASHER - 3/8" x 2" .....	3
6	192-21	LOCK WASHER - 3/8" .....	15
7	113-209	BOLT - 3/8" - 16 x 1-1/2" (use 35 ft lb. or torque) ..	3
8	C31566	SPINDLE.....	3
9	C29431	SPACER - spindle .....	3
10	C31571	BLADE - 15 -1/2"(AHRM44).....	3
10	C31572	BLADE - 17" (AHRM48) .....	3
11	113-206	BOLT - 3/8" - 16 x 3/4" (use 15 ft lb. of torque).....	12
12	219-20	FITTING - lubrication.....	3
13	C25544	SHIELD - bearing .....	3

# INDEX



**INDEX**

**AHRM60 ROTARY MOWER**

**DECK, BELTS AND DECK COVERS**

REF.	PART NO.	DESCRIPTION	REQ'D
1	C37313	DECK - mower 60" (1520mm).....	1
2	C25687	BELT - spindle drive.....	2
3	C25689	GUARD - deck belt.....	2
4	187-1036	SCREW - 1/4" - 20 x 1/2" self-tapping . ....	12
5	C28977	ROLLER - 2-1/2" x 7" (63.5 x 177.8 mm).. ....	1
6	C26405	SHAFT - roller . ....	1
7	132-310	PIN - cotter 1/8" x 1" (3.17 x 25.4mm) ....	2
8	C28976	ROLLER - 2-1/2" x 2-3/8" (63.5 x 60.32 mm) rear . ....	2
9	C25620	SPACER - sleeve.....	4
10	113-447	BOLT - 1/2" - 13 x 3" hex .. ....	4
11	131-930	NUT - lock 1/2" hex flange .. ....	6
12	195-525	WASHER - 3/8" .....	1
13	131-938	NUT - 3/8" - 16 flange lock .. ....	2
14	195-541	WASHER - 5/8" .....	1
15	131-1352	NUT - 3/8" - 16 lock.....	2
16	113-252	BOLT - 3/8" - 16" x 3-3/4".....	2
17	C26958	LINK - mower lift 8" .....	2
18	C10821	PIN - clevis .....	2
19	195-533	WASHER - 1/2" .....	2
20	C10898	PIN - retaining, special.....	2
21	C27731	SPACER - sleeve.....	2
22	138-106	PIN - roll 3/16" x 2-1/2".....	1
23	C27730	WHEEL - anti-scalp.....	2
24	C37317	ARM - idler .....	1
25	C12251	PULLEY - idler .....	1
26	111-366	BOLT - 3/8" - 16 x 1-1/4".....	1
27	195-105	WASHER - 1/2" .....	1
28	C14482	SPRING.....	1
29	111-371	BOLT - 3/8" - 16x 1" .....	1
30	C14768	SPACER.....	1
31	C37316	COVER - belt .....	1
32	C37063	BELT - drive .....	1



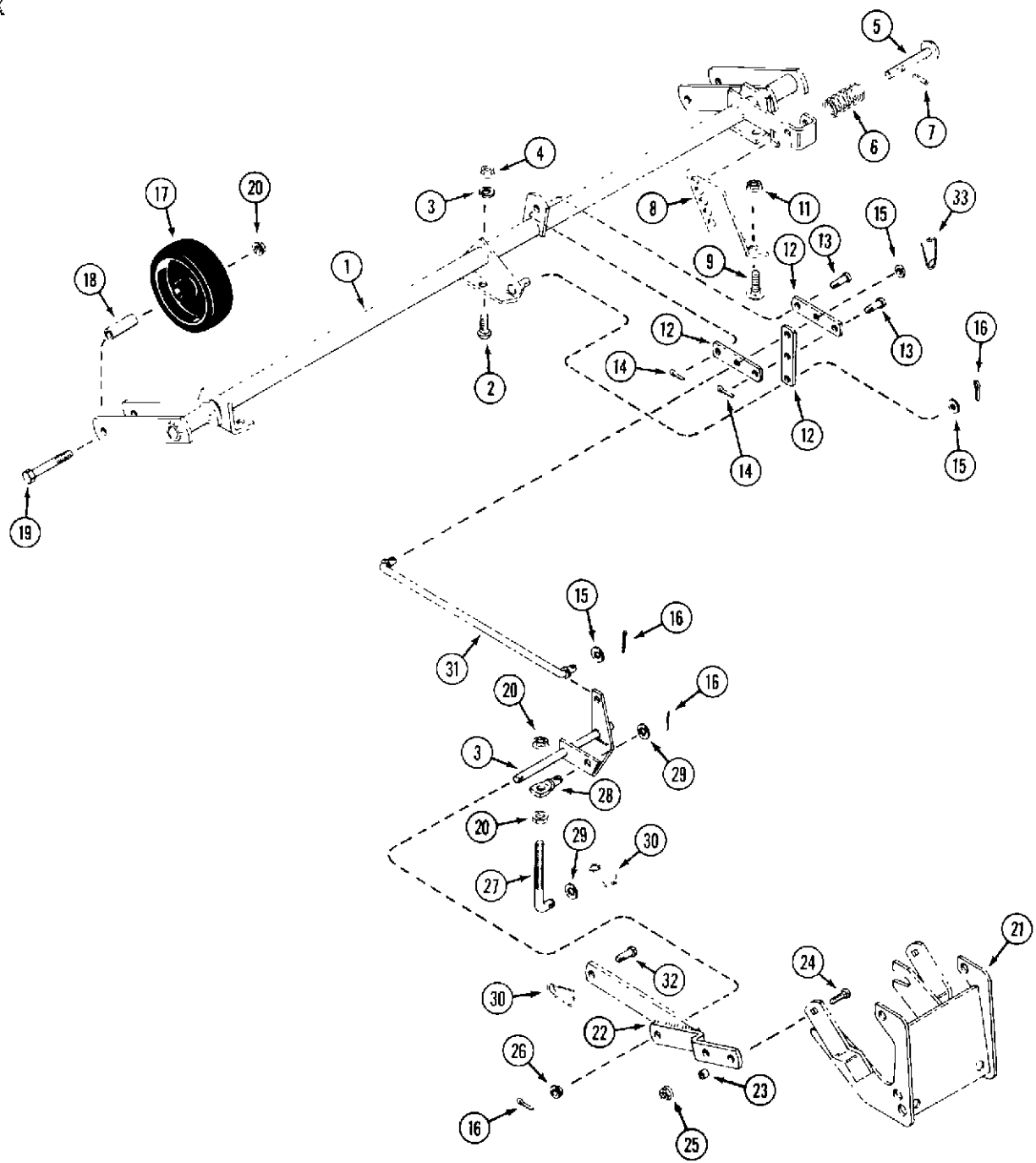
**INDEX**

**AHRM60 ROTARY MOWER**

**PULLEYS, BLADES AND SPINDLES**

REF.	PART NO.	DESCRIPTION	REQ'D
1	C31393	BLADE.....	3
2	113-268	BOLT - 3/8" - 16 x 7/8" hex.....	6
3	131-1216	NUT - lock 3/8" hex.....	6
4	113-206	BOLT - 3/8" - 16 x 3/4" hex.....	4
5	C31394	BRACKET - belt adjusting, deck.....	2
6	C25781	SPROCKET - spindle drive.....	4
7	C25642	WASHER - belt retaining, special.....	2
8	C28972	WASHER.....	4
9	C25643	SPACER - spindle.....	1
10	126-16	KEY - Woodruff #9 3/16" x 3/4".....	2
11	C25644	KEY - square.....	1
12	C25645	PULLEY - drive.....	1
13	131-1331	NUT - lock 3/4" hex.....	3
14	111-371	BOLT - 3/8" - 16 x 1" carriage.....	8
15	131-938	NUT - 3/8" flange lock.....	8
16	123-101	BOLT - 5/16" - 18 x 4" hex.....	2
17	C25543	SHIELD - bearing.....	3
18	C25829	SPACER - sleeve.....	2
19	C25688	SPRING - compression.....	2
20	195-520	WASHER - .312" I.D. x .88" O.D.....	2
21	129-102	NUT - 5/16" hex.....	4
22	131-176	NUT - lock 5/16" hex.....	2
23	C25627	SPINDLE - center.....	1
24	C25632	SPINDLE - R.H.....	1
25	C25635	SPINDLE - L.H.....	1
26	C40722	HOUSING - center spindle.....	1
27	C40955	HOUSING - outward spindle.....	2
28	C16516	RING - retaining.....	6
29	C28971	BEARING - spindle.....	6
30	C10810	SPACER - spindle bearing.....	3
31	C25541	SPACER - spindle.....	3
32	219-20	FITTING - lubrication.....	3

# INDEX



**INDEX**

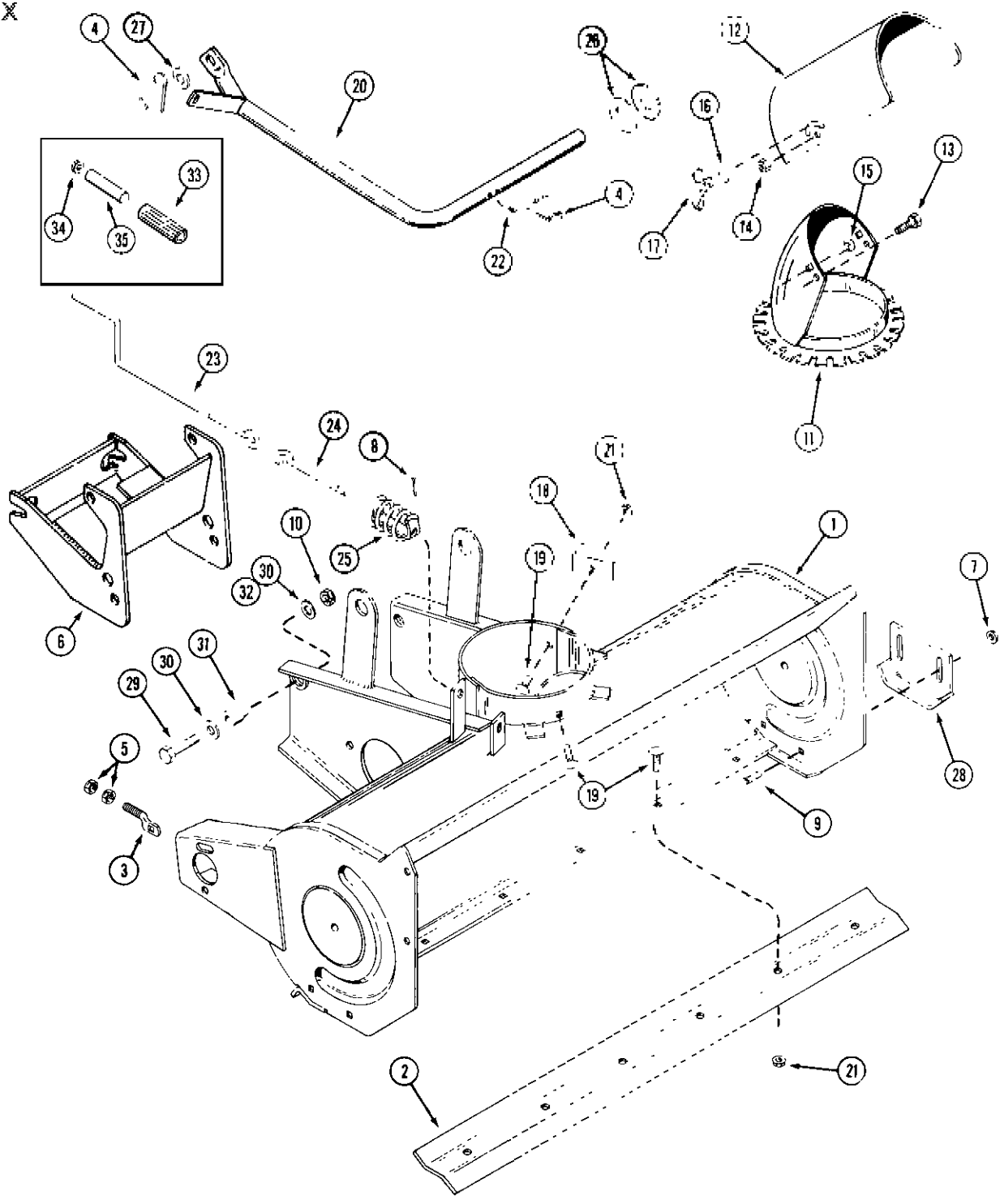
**AHRM60 ROTARY MOWER**

**AXLE AND MOUNTING BRACKETS**

REF.	PART NO.	DESCRIPTION	REQ'D
1	C37321	AXLE - rear	1
2	111-371	BOLT - carriage 3/8" - 16 x 1"	6
3	C26389	BELL CRANK	1
4	131-938	NUT - 3/8" - 16 hex flange lock	6
5	C20005	PIN - locking	1
6	C10482	SPRING - tension	1
7	138-96	PIN - roll	1
8	C15935	BRACKET - height adjust	1
9	111-132	BOLT - carriage 5/16" - 18 x 3/4"	2
10	193-29	LOCK WASHER - 5/16"	2
11	131-911	NUT - 5/16" - 18 flange lock	2
12	C26384	LINK - rock arm	3
13	141-54	PIN - clevis 3/8"	2
14	132-321	PIN - cotter 3/32" x 1"	2
15	195-525	WASHER - 3/8"	2
16	132-310	PIN - cotter 1/8" x 1"	7
17	C25682	WHEEL - height adjust	2
18	C25683	SPACER - sleeve	2
19	113-447	BOLT - 1/2" - 13 x 3-1/2"	2
20	131-930	NUT - lock 1/2" - 13 hex flange	4
21	C31399	BRACKET - front mounting	1
22	C26403	LINK - tow R.H. (shown)	1
22	C26402	LINK - tow L.H.	1
23	C16573	SPACER - sleeve	2
24	111-366	BOLT - carriage 3/8" - 16 x 1-1/4"	2
25	131-1352	NUT - lock 3/8" - 16 hex flange	4
26	C24182	BUSHING - flange	2
27	C19502	BOLT - "J"	1
28	C26033	PIN - adjust	1
29	195-533	WASHER - 1/2"	3
30	C10898	PIN - safety	3
31	C26385	LINK - leveler	1
32	C10821	PIN - clevis	2
33	C10883	PIN - safety	1



INDEX



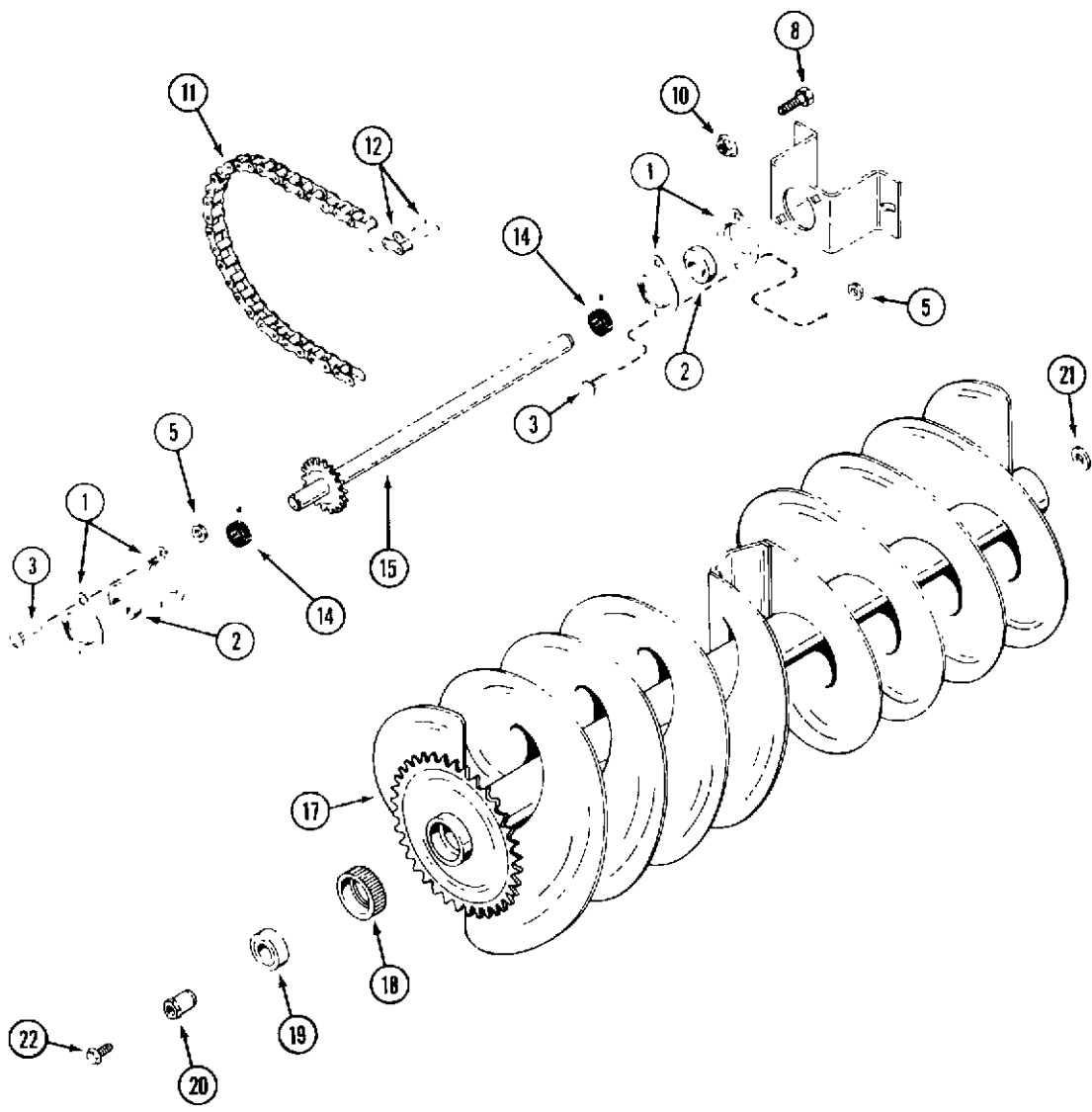
**INDEX**

**AHSB48 and DHSB48 SNOW BLOWER**

**AUGER HOUSING, CHUTE CONTROL AND LIFT ASSEMBLY**

REF.	PART NO.	DESCRIPTION	REQ'D
1	C31900	HOUSING - auger 48" . . . . .	1
1	C44270	HOUSING – auger 48" (DHSB48) . . . . .	1
2	C17776	BLADE - snow blower . . . . .	1
3	C29877	SCREW - chain adjust . . . . .	1
4	C10898	PIN - safety . . . . .	2
5	129-163	NUT - 3/8" - 24 lock . . . . .	2
6	C42161	BRACKET - mounting . . . . .	1
6	C44296	BRACKET – mounting (DHSB48) . . . . .	1
7	131-938	NUT - 3/8" NC hex ZP . . . . .	4
8	132-300	PIN - cotter 1/8" x 7/8" . . . . .	1
9	111-340	BOLT - 3/8" - 16 x 3/4" carriage . . . . .	4
10	131-1182	NUT - lock 1/2" . . . . .	2
11	C15248	CHUTE . . . . .	1
11	C34713	CHUTE (DHSB48) . . . . .	1
12	C16940	DEFLECTOR . . . . .	1
13	113-1	BOLT - 1/4" x 1/2" NC hex ZP . . . . .	2
14	131-1102	NUT - lock 1/4" NC hex ZP . . . . .	2
15	111-340	BOLT - 3/8" x 3/4" NC carriage . . . . .	2
16	C28263	WASHER - dished 25/64 x 1" O.D . . . . .	2
17	C22774	WINGNUT - deflector locking . . . . .	2
18	C15334	BRACKET - chute hold down . . . . .	3
19	111-132	BOLT - 5/16" x 3/4" NC carriage . . . . .	UAR
20	C31995	ARM - lift . . . . .	1
20	C44500	ARM – lift (DHSB48) . . . . .	1
21	131-911	NUT - 5/16" NC hex ZP flange . . . . .	UAR
22	132-332	PIN - cotter 3/32" x 1-1/2" . . . . .	1
23	C24644	CRANK - chute . . . . .	1
23	C44278	CRANK – chute (DHSB48) . . . . .	1
24	C24643	ROD - chute, control . . . . .	1
24	C34694	ROD - chute, control (DHSB48) . . . . .	1
25	C24640	COIL - chute control . . . . .	1
26	195-2134	WASHER - 1-3/16" x 2-1/4" ZP . . . . .	2
27	195-541	WASHER - 21/32" x 1-5/16 . . . . .	1
28	C17775	SKID - shoe . . . . .	2
29	113-412	BOLT - 1/2" x 1 - 3/4" NC hex . . . . .	2
30	195-534	WASHER - 1/2" . . . . .	4
31	C25580	BUSHING - pivot . . . . .	2
32	195-533	WASHER – 1/2" (DHSB48) . . . . .	2
33	C44302	GRIP – Handle (DHSB48) . . . . .	1
34	131-1352	Nut – 3/8" Flange Lock . . . . .	1
35	C34715	HANDLE – Crank (DHSB48) . . . . .	1

INDEX



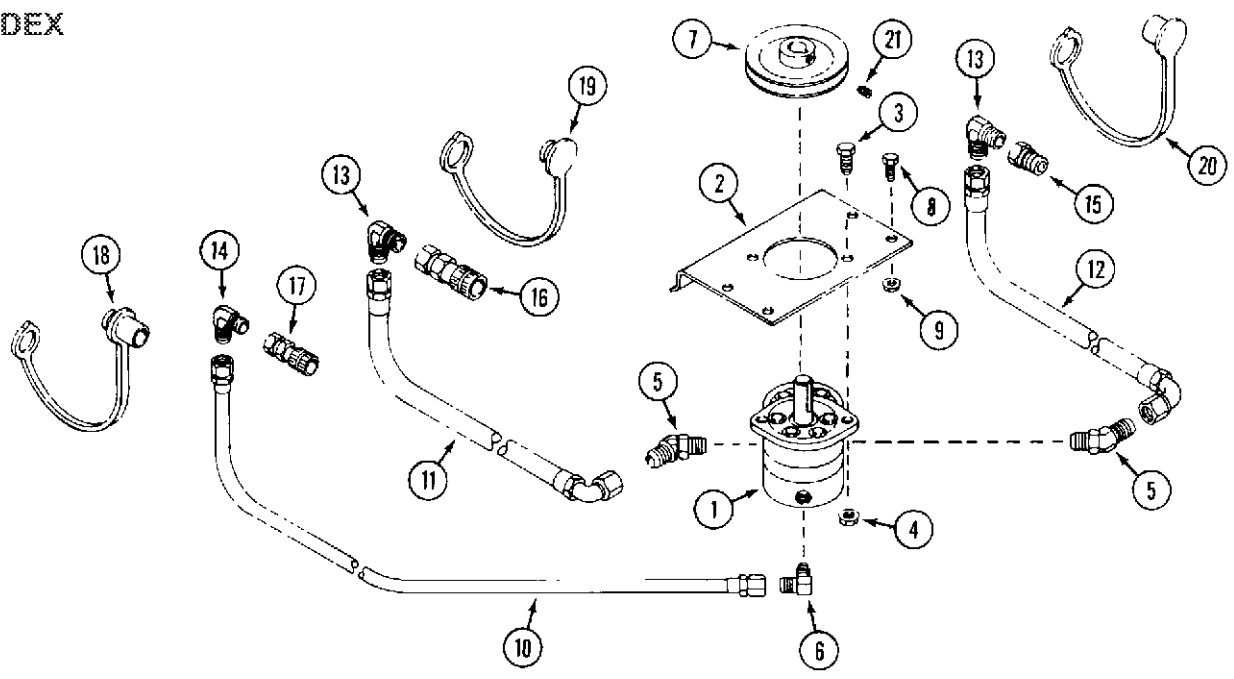
INDEX

AHSB48 SNOW BLOWER

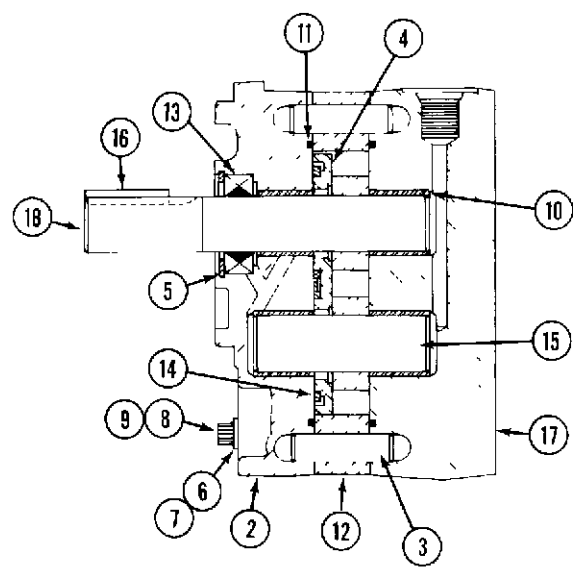
AUGER AND DRIVE SHAFT

REF.	PART NO.	DESCRIPTION	REQ'D
1	C28277	FLANGETTE .....	4
2	C28817	BEARING .....	2
3	111-132	BOLT - 5/16" x 3/4" NC ZP carriage .....	4
4	121-226	BOLT - 3/8" x 1" NC hex (use lock sealant on threads) flange lock . . . . .	2
5	131-911	NUT - 5/16" NC hex ZP flange lock .....	4
6	C28209	BRACKET - bearing .....	1
7	138-81	PIN - roll 5/32" x 1-1/2" .....	1
8	113-206	BOLT - 3/8" - 16x3/4" .....	4
9	195-522	WASHER - spacer 3/8" .....	UAR
10	131-938	NUT - 3/8" - 16 flange lock .....	4
11	C18183	CHAIN - auger drive 75 pitches #40 roller chain .....	1
	C28982	LINK - connecting #40 .....	1
	C28984	LINK - roller #40 .....	2
12	C28983	LINK - offset #40 .....	2
13	138-138	PIN - roll 1/4" - 1-1/2" .....	1
14	NSS	COLLAR - locking (included with item 2) .....	2
15	C42157	SHAFT - drive .....	1
16	C31953	PULLEY - drive shaft.....	1
17	C25853	AUGER - 48" .....	1
18	C25840	SLEEVE - bearing .....	2
19	C28971	BEARING - auger .....	2
20	C25841	SHAFT - stub .....	2

INDEX



INDEX



**INDEX**

**AHRM44 AND AHRM48 ROTARY MOWER**

**HYDRAULIC SYSTEM**

REF.	PART NO.	DESCRIPTION	REQ'D
1	C36963	MOTOR – Webster (repairs below).....	1
1	C36961	MOTOR – Barnes (Name on tag on motor).....	1
	C43677	SEAL, SHAFT – Barnes Motor.....	1
1	C46234	MOTOR – Ultra (Name on top of motor).....	1
	C43748	SEAL, SHAFT – Ultra Motor.....	1
2	C37335	BRACKET - mounting (AHRM48).....	1
2	C42172	BRACKET - mounting (AHRM44).....	2
3	113-208	BOLT - 3/8" - 16 x 1".....	2
4	131-1352	NUT - 3/8" - 16 flange lock.....	2
5	218-5137	FITTING - 7/8" - 14, 45° elbow.....	2
6	218-5105	FITTING - 9/16" - 18, 90° elbow.....	1
7	C37065	PULLEY - 4-1/2" (AHRM48) includes set screws.....	1
7	C37066	PULLEY - 5" (AHRM44) includes set screws.....	1
8	113-102	BOLT - 5/16" - 18 x 3/4".....	4
9	131-911	NUT - 5/16" - 18 flange lock.....	4
10	C37348	HOSE - case drain.....	1
11	C37349	HOSE - return (AHRM48).....	1
11	C37350	HOSE - return (AHRM44).....	1
12	C37350	HOSE - supply (AHRM48).....	1
12	C42445	HOSE - supply (AHRM44).....	1
13	218-485	FITTING - 90° elbow, 7/8" - 14.....	2
14	218-483	FITTING - 90° elbow, 9/16" - 18.....	1
15	C37187	COUPLING - quick, male 7/8".....	1
16	C37188	COUPLING - quick, female 7/8".....	1
17	C41044	COUPLING - quick, female 9/16".....	1
18	C33404	PLUG - dust.....	1
19	C40642	PLUG - dust.....	1
20	C40641	CAP - dust.....	1
21	83-56	SCREW - set 5/16" - 18.....	2

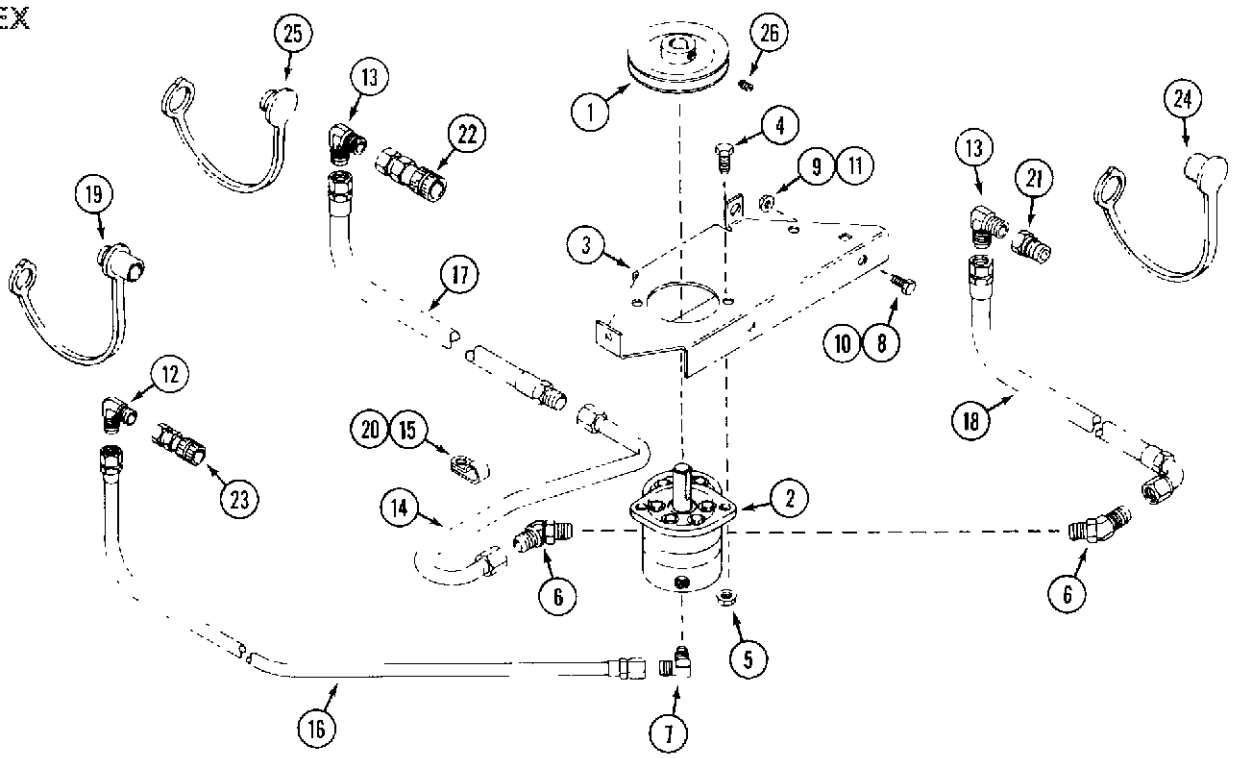
**HYDRAULIC MOTOR**

**for AHRM44, AHRM48, AHRM60, AHSB48**

**INDEX**

1	C36963	MOTOR - hydraulic.....	1
2	C40804	BODY - motor, drive end.....	1
3	C40805	PIN - dowel.....	2
4	C40806	PLATE - wear.....	1
5	C40807	RING - retainer.....	1
6	C40808	WASHER - 5/16".....	4
7	C40809	WASHER - 3/8".....	4
8	C40810	SCREW - socket head 5/16" - 18.....	4
9	C40811	SCREW - socket head 3/8" - 16.....	4
10	C40812	BEARING.....	4
11	C40813	SEAL - ring.....	2
12	C40814	PLATE - gear.....	1
13	C40815	SEAL - oil.....	1
14	C40816	SEAL - load.....	1
15	C40817	SHAFT AND GEAR - driven.....	1
16	C40818	KEY - square.....	1
17	C40819	COVER - rear.....	1
18	C40820	PLUG - small (not shown).....	2
19	C40821	CARTRIDGE - check.....	1
20	C40822	PLUG - large (not shown).....	1
21	C40823	SHAFT AND GEAR - drive.....	1

INDEX



**INDEX**

**AHRM60 ROTARY MOWER**

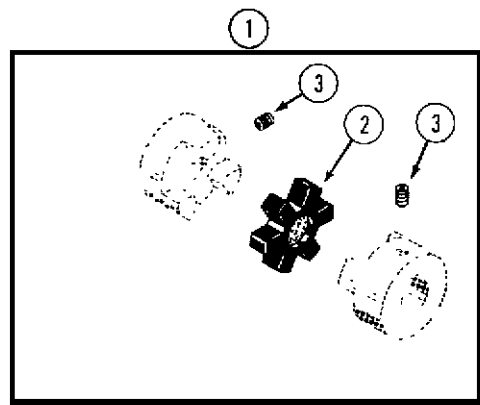
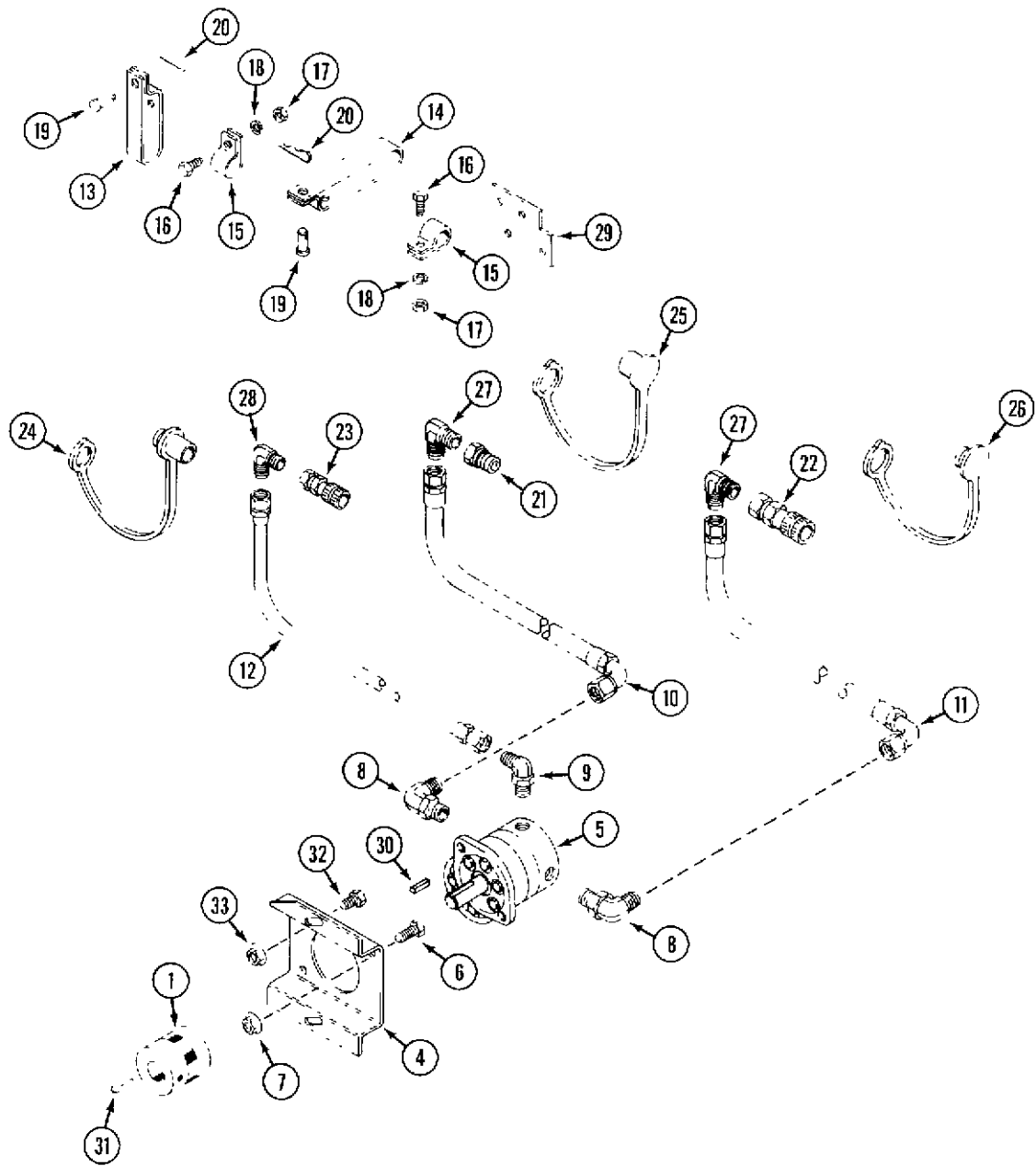
**HYDRAULIC SYSTEM**

REF.	PART NO.	DESCRIPTION	REQ'D
1	C37066	PULLEY - 5" (includes set screws) .....	1
2	C36963	MOTOR - hydraulic (repairs page 21).....	1
3	C37478	SUPPORT - motor .....	1
4	113-208	BOLT - 3/8" - 16 x 1-1/4".....	2
5	131-1352	NUT - 3/8" -16 .....	2
6	218-5137	FITTING - 7/8" - 14, 45° elbow.....	2
7	218-5105	FITTING - 9/16" - 18, 90° elbow.....	1
8	113-102	BOLT - 5/16"-18 x 3/4" .....	4
9	131-911	NUT - 5/16" - 18 flange lock.....	4
10	113-207	BOLT - 3/8" - 16 x 1" .....	2
11	131-1181	NUT - 3/8" - 16 lock.....	2
12	218-483	FITTING - 9/16" - 18, 90° elbow.....	1
13	218-485	FITTING - 7/8" - 14, 90° elbow.....	2
14	C37407 *	TUBE - hydraulic.....	1
15	C33218	CLIP - retaining, tube to base .....	1
16	C37394	HOSE - case drain .....	1
17	C37395	HOSE - return .....	1
18	C37396	HOSE - supply .....	1
19	C33404	PLUG - dust .....	1
20	C32213	CLIP - retaining, hose to tube .....	1
21	C37187	COUPLING - quick, male 7/8".....	1
22	C37188	COUPLING - quick, female 7/8".....	1
23	C41044	COUPLING - quick, female 9/16".....	1
24	C40641	CAP - dust.....	1
25	C40642	PLUG - dust .....	1
26	83-56	SCREW - set 5/16" - 18 .....	2

\* Use C45224 Hose Kit to prevent hoses from contacting the rear tire.



# INDEX



INDEX

AHSB48 SNOWBLOWER

HYDRAULIC SYSTEM

REF.	PART NO.	DESCRIPTION	REQ'D
1	C42160	COUPLING - hydraulic motor.....	1
2	C33268	INSERT - coupling.....	1
3	178-858	SCREW - set 5/16" - 18 x 3/8".....	2
4	C42159	MOUNT - hydraulic motor.....	1
5	C36963	MOTOR - hydraulic (repairs page 21).....	1
6	113-208	BOLT - 3/8" - 16 x 1-1/4".....	2
7	131-1352	NUT - lock 3/8" - 16.....	2
8	218-5107	FITTING - 90° 7/8" - 14.....	2
9	218-5105	FITTING - 90° 9/16" - 18.....	1
10	C42183	HOSE - supply.....	1
11	C42182	HOSE - return.....	1
12	C42184	HOSE - case drain.....	1
13	C42180	HANGER - hose, rear.....	1
14	C42181	HANGER - hose, front.....	1
15	C33218	CLIP - retaining.....	2
16	113-3	BOLT - 1/4" - 20 x 3/4".....	2
17	129-101	NUT - 1/4" -20.....	2
18	192-19	LOCKWASHER - 1/4".....	2
19	141-54	PIN - clevis 3/8" x 1.06".....	2
20	136-159	PIN - hair, cotter.....	2
21	C37187	COUPLER - quick, male 7/8".....	1
22	C37188	COUPLER - quick, female 7/8".....	1
23	C27714	COUPLER - quick, female 9/16".....	1
24	C33404	PLUG - dust.....	1
25	C40641	CAP - dust.....	1
26	C40642	PLUG - dust.....	1
27	218-485	FITTING - 90° 7/8" - 14.....	2
28	218-483	FITTING - 90° 9/16" - 18.....	1
29	C42193	SUPPORT - heat exchanger RH.....	1
30	C40818	KEY - square, pump.....	1
31	C29581	KEY - 3/16" square x 1", drive shaft.....	1
32	113-206	BOLT - 3/8" - 16 x 3/4".....	2
33	131-938	NUT - 3/8" 16 flange lock.....	2

INDEX

5

**⚠ DANGER**



**SPINNING BLADE**

KEEP CLEAR  
CONTACT CAN INJURE



4

**⚠ WARNING**

**FLYING DEBRIS  
OPERATE MOWER ONLY  
WITH DISCHARGE CHUTE  
GUARD/COVER OR COMPLETE  
GRASS CATCHER IN PLACE.  
DEBRIS MAY CAUSE INJURY**

6

**⚠ WARNING**

**ROTATING AUGER**

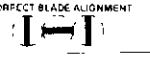
TO AVOID SEVERE INJURY  
KEEP HANDS OUT OF AUGER AND DISCHARGE  
CHUTE WHILE ENGINE IS RUNNING

2

**NO STEP**

7

CORRECT BLADE ALIGNMENT



**BLADE ALIGNMENT AND BELT TENSION**

1. TIGHTEN THIS NUT AGAINST WASHER AND SPACER
2. LOOSEN FOUR SPINDLE HOUSING MOUNTING NUTS ON THE UNDERSIDE OF THE MOWER FOR FREE SLIDING MOVEMENT DURING
3. ALIGN BLADES SUCH THAT ADJACENT BLADES ARE PERPENDICULAR TO EACH OTHER AS SHOWN IN BLADE ALIGNMENT DIAGRAM
4. ADJUST THESE NUTS TO OBTAIN A GAP BETWEEN HEAD OF BOLT AND BRACKET AS SHOWN
5. GAP WIDTH TO BE EQUAL TO THIRTY PERCENT OF TRACTOR IGNITION KEY USE KEY AS A GAGE
6. TIGHTEN FOUR SPINDLE HOUSING MOUNTING NUTS SECURELY

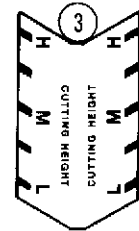
C-14-4

8

**COMMERCIAL**

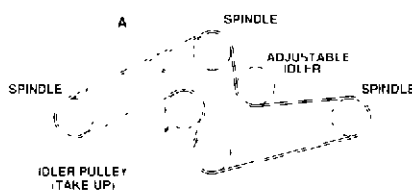
9

# INGERSOLL



1

THE CORRECT BELT TENSION IS OBTAINED BY SPRING  
LENGTH A TO BE APPROX 5/25 IN INSIDE LOOPS POSITION  
ADJUSTABLE IDLER TO PROVIDE PROPER TENSION



**BELT INSTALLATION**

**INDEX**

**ROTARY MOWER, SNOW BLOWER**

**DECALS**

<b>REF.</b>	<b>PART NO.</b>	<b>DESCRIPTION</b>	<b>REQ'D</b>
1	C42109	DECAL - mower belt (AHRM48, AHRM44).....	1
2	C12519	DECAL - "NO STEP" (AHRM44, AHRM48, AHRM60) .....	2
3	321-6210	DECAL - cutting height (AHRM44, AHRM48, AHRM60) .....	1
4	C31086	DECAL - flying debris (AHRM48, AHRM44) .....	1
5	C31087	DECAL - spinning blade (AHRM44, AHRM48, AHRM60) .....	1
6	321-4199	DECAL - auger warning (AHSB48).....	1
7	C31409	DECAL - spindle drive belt (AHRM60) .....	2
8	321-6263	DECAL - "commercial" (AHRM60) ..	1
9	C31989	DECAL - "Ingersoll" (AHSB48). .....	1